



Illustrated Parts Manual

Models **800AJ HC3**

P/N
31215888
January 31, 2021 - Rev B

ANSI

CE



AS/NZS



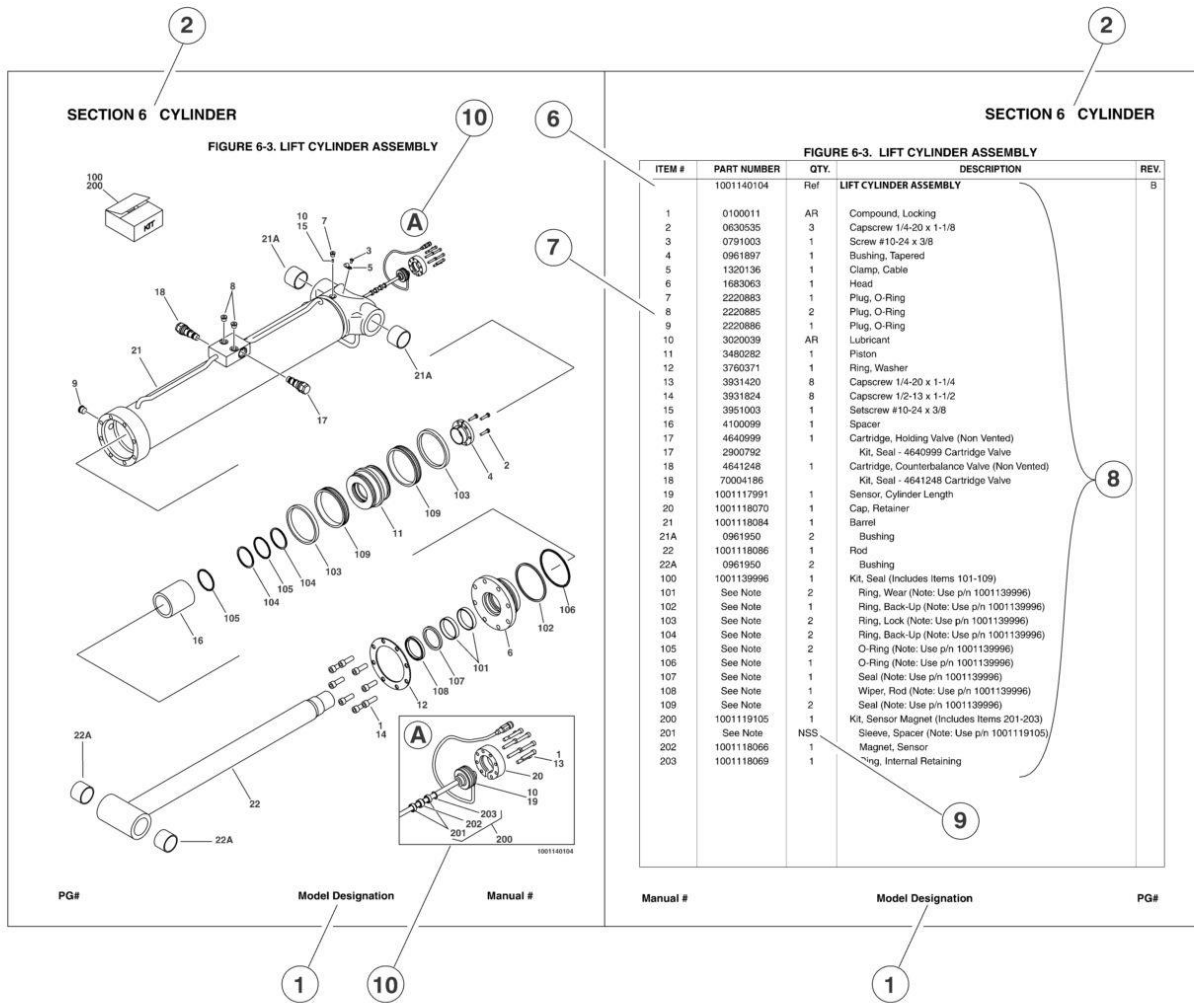
An Oshkosh Corporation Company

REVISION LOG

August 15, 2020 - A - Original Issue Of Manual (Manual edited to 1001248000 Revision E)

January 31, 2021 - B - Revised Manual (Edited to B/M 1001248000 Revision J)

GENERAL INFORMATION



1) MACHINE IDENTIFICATION

Machines are identified by model and in some cases a combination of models, serial number (SN) or regional standard (i.e ANSI, CE, CSA). Components may also be identified by SN or manufacturer. common components that may be identified by these characteristics are engines and hydraulic components.

2) PARTS MANUAL ORGANIZATION

Product information in this manual is organized under section titles. Frame, Cylinder, Hydraulic and Electrical are a few examples. Each section is organized by figure and page number. The information within the Figure is then organized by item number, part number, description and corresponding illustration (s).

3) TABLE OF CONTENTS

A table of contents is found toward the beginning of the manual. Figure number, description and page number are provide for quick reference to the page containing the related information.

4) RECOMMENDED SPARE PARTS

The Recommended Spare Parts, located near the end of the manual, reference most frequently used maintenance parts.

5) PART NUMBER INDEX

A numerical index listing all part numbers and the corresponding page number(s) appears at the back of the manual.

GENERAL INFORMATION

6) NON-SERVICED PARTS

In some instances, it is necessary to display non-serviced parts, assemblies or installations. In the case of assemblies and installations there will be a Ref in the Qty column. In case of parts that are not available for service within assemblies and components, there will be a NSS (Not Sold Separately) or NLA (No Longer Available) listed in the Qty. column of the manual.

7) PARTS LIST ITEM NUMBERS

Numbers shown in the item# column correspond to numbers used in the associated illustration (s). Item numbers which are missing from the sequence in the parts list are not used on that page

8) INDENTED PARTS DESCRIPTION

An indented part description is included in the item under which it is indented.

9) ABBREVIATION AND SYMBOLS

| | | | |
|--------------|--|--------------|---------------------------------|
| AC..... | .. Alternating Current | LCD..... | Liquid Crystal Display |
| ADE..... | Advanced Design Electronics | LED..... | Light Emitting Diodes |
| ANSI..... | ..American National Standards Institute | LH..... | Left Hand |
| AR..... | ..As Required | LSS..... | ..Load Sensing System |
| ASSY..... | Assembly | M(m)..... | Metric/Meter |
| AUX..... | Auxiliary | MM (mm)..... | Milimeter |
| AWG..... | ..American Wire Gauge | mA..... | Miliamps |
| B/M..... | ..Bill of Material | NLA..... | No Longer Available |
| CE..... | ..European Conformity | NPT..... | National Pipe Threads |
| CCW..... | ..Counter Clockwise | NSS..... | Not Sold Separately |
| cm..... | Centimeter | OD..... | ..Outside Diameter |
| CW..... | ..Clockwise | ORB..... | O-Ring Boss |
| CSA..... | ..Canadian Standard Association | ORFS..... | O-Ring Face Seal |
| CYL..... | ..Cylinder | OZ (oz)..... | ..Ounces |
| DIA..... | Diameter | PG..... | ..Page |
| DC..... | Direct Current | P/N..... | ..Part Number |
| EMS..... | Emergency Stop | qt..... | ..Quarts |
| ENG..... | Engine | QTY..... | Quantity |
| FT (ft)..... | Feet | REF..... | ..Reference |
| GA (Ga)..... | Gauge | REV..... | ..Revision Level |
| HYD..... | Hydraulic | RH..... | ..Right Hand |
| Hz..... | Hertz | SAE..... | Society of Automotive Engineers |
| ID..... | Inside Diameter | SN..... | ..Serial Number |
| in..... | inches | SPEC(S)..... | Specifications |
| ISO..... | International Organization for Standards | T/T..... | Turntable |
| JIC..... | Joint Industry Council | UGM..... | Universal Ground Module |
| KG..... | ..Kilogram | V..... | Volts |
| L..... | ..Liter | W..... | Watts |
| LB..... | ..Pounds | #..... | Number |

10) ILLUSTRATION REFERENCE LETTERS

When necessary, illustrations may contain reference letters that are intended to track information (i. e. hoses, harness) from one point to another or to track visual enlargement of components to show details that may be located in another area on the illustration.

Note: Due to continuous product improvements, JLG Industries, Inc. reserves the right to make specification changes without prior notification. Contact JLG Industries, Inc. for updated information.

TABLE OF CONTENTS

| | |
|---|-----|
| SECTION 1 - FRAME..... | 13 |
| FIGURE 1-1. AXLE INSTALLATION - OSCILLATING | 14 |
| FIGURE 1-2. AXLE INSTALLATION - OSCILLATING WITH TOW PACKAGE | 16 |
| FIGURE 1-3. STEER INSTALLATION - 2WS | 18 |
| FIGURE 1-4. STEER INSTALLATION - 2WS WITH TOW PACKAGE | 20 |
| FIGURE 1-5. WHEEL DRIVE AND FRAME VALVES INSTALLATION - 4WD/2WS | 22 |
| FIGURE 1-6. DRIVE HUB/BRAKE ASSEMBLY | 24 |
| FIGURE 1-7. DRIVE MOTOR ASSEMBLY - 4WD | 26 |
| FIGURE 1-8. TIRE AND WHEEL INSTALLATION 18-625 NHS FOAM-FILLED TIRE | 28 |
| FIGURE 1-9. TIRE AND WHEEL INSTALLATION 18-625 NHS FOAM-FILLED NON-MARKING TIRE | 30 |
| FIGURE 1-10. TIRE AND WHEEL INSTALLATION 18-625 NHS FOAM-FILLED SAND TIRE | 32 |
| FIGURE 1-11. LP TANK BRACKETS INSTALLATIONS | 34 |
| FIGURE 1-12. FRAME SHIELDS INSTALLATION - 2WS | 36 |
| FIGURE 1-13. TOW PACKAGE INSTALLATION - 2WS (ENGLISH LANGUAGE DECALS) | 38 |
| FIGURE 1-14. TOW PACKAGE INSTALLATION - 2WS (CE SPECS) | 40 |
| FIGURE 1-15. TOW BAR ASSEMBLY | 42 |
| SECTION 2 - TURNTABLE | 45 |
| FIGURE 2-1. CONTROL VALVES INSTALLATION - WITH 2WS | 46 |
| FIGURE 2-2. CONTROL VALVE ASSEMBLY - 2WS MACHINES | 48 |
| FIGURE 2-3. SWING DRIVE INSTALLATION | 52 |
| FIGURE 2-4. SWING MOTOR/HUB ASSEMBLY | 54 |
| FIGURE 2-5. TURNTABLE BEARING INSTALLATION | 58 |
| FIGURE 2-6. TURNTABLE LOCK INSTALLATION | 60 |
| FIGURE 2-7. ROTARY COUPLING INSTALLATION - 2WS MACHINES | 62 |
| FIGURE 2-8. TANK INSTALLATION - DIESEL MACHINE (FUEL TANK WITHOUT SIGHT GLASS) | 64 |
| FIGURE 2-9. TANK INSTALLATION - DIESEL MACHINE (FUEL TANK WITH SIGHT GLASS) | 66 |
| FIGURE 2-10. TANK INSTALLATION - GAS ENGINES | 68 |
| FIGURE 2-11. HYDRAULIC TANK ASSEMBLY | 70 |
| FIGURE 2-12. AUXILIARY POWER INSTALLATION - WITHOUT BATTERY DISCONNECT | 72 |
| FIGURE 2-13. AUXILIARY POWER INSTALLATION - WITH BATTERY DISCONNECT | 74 |
| FIGURE 2-14. AUXILIARY POWER PUMP/MOTOR ASSEMBLY | 76 |
| FIGURE 2-15. GROUND CONTROL BOX ASSEMBLY - WITH DEUTZ D2011 ENGINES (ANSI EXPORT LRC AND AUSTRALIAN SPECS) | 78 |
| FIGURE 2-16. GROUND CONTROL BOX ASSEMBLY - WITH DEUTZ D2011 ENGINES (CE LRC SPECS) | 82 |
| FIGURE 2-17. GROUND CONTROL BOX ASSEMBLY - WITH DEUTZ TD2.9L4 ENGINES (ANSI, ANSI EXPORT, CHINA & JAPANESE SPECS) | 86 |
| FIGURE 2-18. GROUND CONTROL BOX ASSEMBLY - WITH DEUTZ TD2.9L4 (STAGE V) ENGINES (CE SPECS) | 90 |
| FIGURE 2-19. GROUND CONTROL BOX ASSEMBLY - WITH FORD ENGINES | 94 |
| FIGURE 2-20. LIGHT PANEL INSTALLATION | 98 |
| FIGURE 2-21. ALARM INSTALLATION | 100 |
| FIGURE 2-22. WHITE NOISE ALARM INSTALLATION - ADJUSTABLE AMBIENT | 102 |
| FIGURE 2-23. WHITE NOISE MOTION ALARM INSTALLATION - AMBIENT | 104 |
| FIGURE 2-24. STROBE LIGHT INSTALLATION (AMBER) | 106 |
| FIGURE 2-25. STROBE LIGHT INSTALLATION (BLUE) | 108 |
| FIGURE 2-26. STROBE LIGHT INSTALLATION (RED) | 110 |
| FIGURE 2-27. HOODS INSTALLATION - ABS (DEUTZ D2011 ENGINES) | 112 |
| FIGURE 2-28. HOODS INSTALLATION - ABS (DEUTZ TD2.9L4 ENGINES) | 116 |
| FIGURE 2-29. HOODS INSTALLATION - ABS (DEUTZ TD2.9L4 (STAGE V) ENGINES) | 120 |
| FIGURE 2-30. HOODS INSTALLATION - STEEL (DEUTZ D2011 ENGINES) | 124 |
| FIGURE 2-31. HOODS INSTALLATION - STEEL (DEUTZ TD2.9L4 ENGINES) | 128 |
| FIGURE 2-32. HOODS INSTALLATION - STEEL (FORD ENGINES) | 132 |
| FIGURE 2-33. EXHAUST COVER AND HEAT SHIELDS INSTALLATION - STEEL HOODS (DEUTZ D2011 ENGINES) | 136 |
| FIGURE 2-34. EXHAUST COVER AND HEAT SHIELDS INSTALLATION - STEEL HOODS (DEUTZ TD2.9L4 ENGINES) | 138 |
| FIGURE 2-35. EXHAUST COVER INSTALLATION - STEEL HOODS (FORD ENGINES) | 140 |
| FIGURE 2-36. SKYAIR AIR COMPRESSOR INSTALLATION | 142 |
| FIGURE 2-37. SKYAIR AIR COMPRESSOR INSTALLATION | 144 |
| FIGURE 2-38. AIR COMPRESSOR ASSEMBLY | 146 |
| SECTION 3 - ENGINE | 149 |
| FIGURE 3-1. DEUTZ D2011 ENGINE INSTALLATION (WITHOUT ARCTIC PACKAGE) | 150 |
| FIGURE 3-2. DEUTZ D2011 ENGINE INSTALLATION (WITH ARCTIC PACKAGE) | 152 |
| FIGURE 3-3. DEUTZ D2011 ENGINE AND PUMP SUB-ASSEMBLY (WITHOUT ARCTIC PACKAGE) | 156 |

TABLE OF CONTENTS

| | |
|---|-----|
| FIGURE 3-4. DEUTZ D2011 ENGINE AND PUMP SUB-ASSEMBLY (WITH ARCTIC PACKAGE) | 158 |
| FIGURE 3-5. DEUTZ D2011 ENGINE ASSEMBLY (WITHOUT ARCTIC PACKAGE) | 160 |
| FIGURE 3-6. DEUTZ D2011 ENGINE ASSEMBLY (WITH ARCTIC PACKAGE) | 164 |
| FIGURE 3-7. DEUTZ D2011 ENGINE COMPONENTS | 168 |
| FIGURE 3-8. DEUTZ TD2.9L4 ENGINE INSTALLATION (WITHOUT ARCTIC PACKAGE) | 172 |
| FIGURE 3-9. DEUTZ TD2.9L4 ENGINE INSTALLATION (WITH ARCTIC PACKAGE) | 176 |
| FIGURE 3-10. DEUTZ TD2.9L4 ENGINE INSTALLATION (STAGE V) | 180 |
| FIGURE 3-11. DEUTZ TD2.9L4 ENGINE INSTALLATION (CHINA III SPECS) | 184 |
| FIGURE 3-12. DEUTZ TD2.9L4 ENGINE AND PUMP SUB-ASSEMBLY (WITHOUT ARCTIC PACKAGE) | 188 |
| FIGURE 3-13. DEUTZ TD2.9L4 ENGINE AND PUMP SUB-ASSEMBLY (WITH ARCTIC PACKAGE) | 190 |
| FIGURE 3-14. DEUTZ TD2.9L4 ENGINE AND PUMP SUB-ASSEMBLY (STAGE V) | 192 |
| FIGURE 3-15. DEUTZ TD2.9L4 ENGINE AND PUMP SUB-ASSEMBLY (CHINA III SPECS) | 194 |
| FIGURE 3-16. DEUTZ TD2.9L4 ENGINE ASSEMBLY (WITHOUT ARCTIC PACKAGE) (Prior to SN 0300279215) | 196 |
| FIGURE 3-17. DEUTZ TD2.9L4 ENGINE ASSEMBLY (WITHOUT ARCTIC PACKAGE) (SN 0300279215 to Present) | 202 |
| FIGURE 3-18. DEUTZ TD2.9L4 ENGINE ASSEMBLY (WITH ARCTIC PACKAGE) (Prior to SN 0300279215) | 208 |
| FIGURE 3-19. DEUTZ TD2.9L4 ENGINE ASSEMBLY (WITH ARCTIC PACKAGE) (SN 0300279215 to Present) | 214 |
| FIGURE 3-20. DEUTZ TD2.9L4 ENGINE ASSEMBLY (STAGE V) | 220 |
| FIGURE 3-21. DEUTZ TD2.9L4 ENGINE ASSEMBLY (CHINA III SPECS) (Prior to SN 0300279215) | 226 |
| FIGURE 3-22. DEUTZ TD2.9L4 ENGINE ASSEMBLY (CHINA III SPECS) (SN 0300279215 to Present) | 232 |
| FIGURE 3-23. DEUTZ TD2.9L4 ENGINE COMPONENTS | 238 |
| FIGURE 3-24. DEUTZ TD2.9L4 ENGINE COMPONENTS (CHINA III SPECS) | 242 |
| FIGURE 3-25. FUEL PUMP/FILTER BRACKET ASSEMBLY (DEUTZ TD2.9L4 ENGINES) | 246 |
| FIGURE 3-26. FUEL PUMP/FILTER BRACKET ASSEMBLY (DEUTZ TD2.9L4 (STAGE V) ENGINES) | 248 |
| FIGURE 3-27. FUEL PUMP/FILTER BRACKET ASSEMBLY (DEUTZ TD2.9L4 ENGINES) (CHINA III SPECS) | 250 |
| FIGURE 3-28. BREATHER HEATER INST (DEUTZ TD2.9L4 ENGINES) | 252 |
| FIGURE 3-29. FORD ENGINE INSTALLATION (WITHOUT ARCTIC PACKAGE) | 254 |
| FIGURE 3-30. FORD ENGINE INSTALLATION (WITH ARCTIC PACKAGE) | 258 |
| FIGURE 3-31. FORD ENGINE AND PUMP SUB-ASSEMBLY (WITHOUT ARCTIC PACKAGE) | 262 |
| FIGURE 3-32. FORD ENGINE AND PUMP SUB-ASSEMBLY (WITH ARCTIC PACKAGE) | 264 |
| FIGURE 3-33. FORD ENGINE ASSEMBLY (WITHOUT ARCTIC PACKAGE) | 266 |
| FIGURE 3-34. FORD ENGINE ASSEMBLY (WITH ARCTIC PACKAGE) | 272 |
| FIGURE 3-35. FORD ENGINE PREP ASSEMBLY | 278 |
| FIGURE 3-36. FORD ENGINE BRACKETS AND EXHAUST MANIFOLD INSTALLATION | 280 |
| FIGURE 3-37. FORD ENGINE DRIVE BELT INSTALLATION (MACHINES WITHOUT GENERATOR) | 282 |
| FIGURE 3-38. FORD ENGINE COMPONENTS | 284 |
| FIGURE 3-39. PUMP COUPLING KIT (DEUTZ ENGINES) | 288 |
| FIGURE 3-40. HYDROSTATIC PUMP ASSEMBLY | 290 |
| FIGURE 3-41. VARIABLE PUMP ASSEMBLY | 292 |
| FIGURE 3-42. EXHAUST PIPE INSTALLATION - DEUTZ TD2.9L4 ENGINES | 296 |
| FIGURE 3-43. EXHAUST PIPE INSTALLATION - DEUTZ TD2.9L4 (STAGE V) ENGINES | 298 |
| FIGURE 3-44. EXHAUST PIPE INSTALLATION - FORD ENGINES | 300 |
| FIGURE 3-45. SPARK ARRESTOR MUFFLER INSTALLATION - DEUTZ D2011 ENGINES | 302 |
| FIGURE 3-46. FUEL-WATER SEPARATOR INSTALLATION - DEUTZ D2011 ENGINES | 304 |
| FIGURE 3-47. FUEL-WATER SEPARATOR INSTALLATION - DEUTZ TD2.9L4 ENGINES | 306 |
| FIGURE 3-48. RIGHT ENGINE SUPPORT INSTALLATION (DEUTZ D2011 ENGINES MACHINES WITHOUT GENERATORS) | 308 |
| FIGURE 3-49. RIGHT ENGINE SUPPORT INSTALLATION (DEUTZ D2011 ENGINES MACHINES WITH GENERATORS) | 310 |
| FIGURE 3-50. ENGINE HOOD Baffle INSTALLATION - DEUTZ TD2.9L4 ENGINES AND DEUTZ TD2.9L4 (STAGE V) ENGINES WITH ABS HOODS | 312 |
| FIGURE 3-51. ENGINE HOOD Baffle INSTALLATION - DEUTZ TD2.9L4 ENGINES WITH STEEL HOODS | 314 |
| FIGURE 3-52. ENGINE TRAY JACK INSTALLATION - DEUTZ ENGINES | 316 |
| FIGURE 3-53. ENGINE TRAY JACK INSTALLATION - FORD ENGINES | 318 |
| FIGURE 3-54. 2500W/110V/60HZ GENERATOR INSTALLATION - DEUTZ D2011 ENGINES | 320 |
| FIGURE 3-55. 2500W/110V/60HZ GENERATOR INSTALLATION - DEUTZ TD2.9L4 ENGINES | 322 |
| FIGURE 3-56. 2500W/110V/60HZ GENERATOR INSTALLATION - FORD ENGINES | 326 |
| FIGURE 3-57. 2500W/220V/50HZ GENERATOR INSTALLATION - DEUTZ D2011 ENGINES | 330 |
| FIGURE 3-58. 4000W/50HZ GENERATOR INSTALLATION - DEUTZ D2011 ENGINES | 332 |
| FIGURE 3-59. 4000W/50HZ GENERATOR INSTALLATION - DEUTZ TD2.9L4 ENGINES AND DEUTZ TD2.9L4 (STAGE V) ENGINES | 336 |
| FIGURE 3-60. 4000W/60HZ GENERATOR INSTALLATION - DEUTZ D2011 ENGINES | 340 |
| FIGURE 3-61. 4000W/60HZ GENERATOR INSTALLATION - DEUTZ TD2.9L4 ENGINES | 344 |
| FIGURE 3-62. 7500W/50HZ SKYPOWER GENERATOR INSTALLATION - DEUTZ D2011 ENGINES | 348 |
| FIGURE 3-63. 7500W/50HZ SKYPOWER GENERATOR INSTALLATION - DEUTZ TD2.9L4 ENGINES AND DEUTZ TD2.9L4 (STAGE V) ENGINES | 352 |
| FIGURE 3-64. 7500W/60HZ SKYPOWER GENERATOR INSTALLATION - DEUTZ D2011 ENGINES | 356 |
| FIGURE 3-65. 7500W/60HZ SKYPOWER GENERATOR INSTALLATION - DEUTZ TD2.9L4 ENGINES | 360 |
| FIGURE 3-66. 7500W/60HZ SKYPOWER GENERATOR INSTALLATION - FORD ENGINES | 364 |

TABLE OF CONTENTS

| | |
|--|-----|
| SECTION 4 - BOOM | 369 |
| FIGURE 4-1. BOOM AND CYLINDER INSTALLATION | 370 |
| FIGURE 4-2. MAIN BOOM ASSEMBLY | 372 |
| FIGURE 4-3. TOWER BOOM ASSEMBLY | 374 |
| FIGURE 4-4. JIB ASSEMBLY (Prior to SN 0300279215) | 376 |
| FIGURE 4-5. JIB ASSEMBLY (SN 0300279215 to Present) | 378 |
| FIGURE 4-6. ROTATOR ASSEMBLY | 380 |
| FIGURE 4-7. SUPPORT, PLATFORM INSTALLATION | 382 |
| FIGURE 4-8. POWER TRACK INSTALLATION - MAIN BOOM..... | 384 |
| FIGURE 4-9. POWER TRACK INSTALLATION - TOWER BOOM | 386 |
| FIGURE 4-10. CONTROL VALVES INSTALLATION - WITH 2WS..... | 388 |
| FIGURE 4-11. CONTROL VALVE ASSEMBLY | 390 |
| FIGURE 4-12. BOOM VALVES AND PROXIMITY SWITCHES INSTALLATION | 392 |
| SECTION 5 - PLATFORM | 395 |
| FIGURE 5-1. PLATFORM ASSEMBLY WITH DROP-BAR - 30IN X 3FT (76CM X 1M) | 396 |
| FIGURE 5-2. PLATFORM ASSEMBLY WITH GATE - 30IN X 4FT (76CM X 1.22M) | 398 |
| FIGURE 5-3. PLATFORM ASSEMBLY WITH DROP-BAR - 30IN X 4FT (76CM X 1.22M) | 400 |
| FIGURE 5-4. PLATFORM ASSEMBLY WITH GATE - 30IN X 6FT (76CM X 1.83M) | 402 |
| FIGURE 5-5. PLATFORM ASSEMBLY WITH GATE- 36IN X 6FT (91.5CM X 1.83M) | 404 |
| FIGURE 5-6. PLATFORM ASSEMBLY WITH DROP-BAR - 30IN X 6FT (76CM X 1.83M) | 406 |
| FIGURE 5-7. PLATFORM ASSEMBLY WITH DROP-BAR - 36IN X 6FT (91.5CM X 1.83M) | 408 |
| FIGURE 5-8. PLATFORM ASSEMBLY WITH 1 GATE / 2 DROP BARS (TRI-ENTRY) - 36IN X 6FT (91.5CM X 1.83M) | 410 |
| FIGURE 5-9. PLATFORM ASSEMBLY WITH 3 DROP BARS (TRI-ENTRY) - 36IN X 6FT (91.5CM X 1.83M) | 412 |
| FIGURE 5-10. PLATFORM ASSEMBLY WITH FALL ARREST (6FT) | 414 |
| FIGURE 5-11. PLATFORM ASSEMBLY WITH GATE - 36IN X 8FT (91.5CM X 2.44M) | 416 |
| FIGURE 5-12. PLATFORM ASSEMBLY WITH DROP-BAR - 36IN X 8FT (91.5CM X 2.44M) | 418 |
| FIGURE 5-13. PLATFORM ASSEMBLY WITH 1 GATE / 2 DROP BARS (TRI-ENTRY) - 36IN X 8FT (91.5CM X 2.44M) | 420 |
| FIGURE 5-14. PLATFORM ASSEMBLY WITH 3 DROP BARS (TRI-ENTRY) - 36IN X 8FT (91.5CM X 2.44M) | 422 |
| FIGURE 5-15. PLATFORM ASSEMBLY WITH FALL ARREST (8FT) | 424 |
| FIGURE 5-16. CONSOLE AND FOOT SWITCH INSTALLATION | 426 |
| FIGURE 5-17. CONSOLE BOX ASSEMBLY WITH FOOTSWITCH | 428 |
| FIGURE 5-18. LIGHT PANEL INSTALLATION | 432 |
| FIGURE 5-19. FOOTSWITCH ASSEMBLY | 434 |
| FIGURE 5-20. CONTROLLER ASSEMBLY- DRIVE/STEER | 436 |
| FIGURE 5-21. CONTROLLER ASSEMBLY - LIFT/SWING | 438 |
| FIGURE 5-22. JIB SWITCH INSTALLATION..... | 442 |
| FIGURE 5-23. SKYEYE INSTALLATION..... | 444 |
| FIGURE 5-24. SKYGUARD BAR INSTALLATION | 446 |
| FIGURE 5-25. SKYLINE INSTALLATION (Prior to SN 0300279215) | 448 |
| FIGURE 5-26. SKYLINE INSTALLATION (SN 0300279215 to Present) | 450 |
| FIGURE 5-27. STORAGE TRAY INSTALLATION - CENTER..... | 452 |
| FIGURE 5-28. MANUAL STORAGE BOX INSTALLATION | 454 |
| FIGURE 5-29. SKYCUTTER INSTALLATION | 456 |
| FIGURE 5-30. SKYWELDER/SKYCUTTER COMBO INSTALLATION (60HZ)..... | 458 |
| FIGURE 5-31. PLASMA CUTTER ASSEMBLY..... | 462 |
| FIGURE 5-32. SKYWELDER INSTALLATION (50HZ)..... | 464 |
| FIGURE 5-33. SKYWELDER INSTALLATION (60HZ)..... | 466 |
| FIGURE 5-34. WELDER ASSEMBLY | 468 |
| FIGURE 5-35. SKYWELDER PREP PACKAGE (60HZ) | 470 |
| FIGURE 5-36. SKYWELDER LOCKING BRACKET INSTALLATION (OPTIONAL) | 472 |
| FIGURE 5-37. SKYGLAZIER INSTALLATION (ALL SPECS EXCEPT CHINA AND JAPANESES SPECS) | 474 |
| FIGURE 5-38. SKYGLAZIER INSTALLATION (ENGLISH LANGUAGE DECALS) | 476 |
| FIGURE 5-39. PIPE RACKS INSTALLATION (ANSI AND CSA SPECS)..... | 478 |
| FIGURE 5-40. PIPE RACKS INSTALLATION (ANSI EXPORT SPECS) | 480 |
| FIGURE 5-41. PIPE RACKS INSTALLATION (AUSTRALIAN SPECS) | 482 |
| FIGURE 5-42. SOFT TOUCH SYSTEM INSTALLATION - 6FT/1.83M PLATFORM | 484 |
| FIGURE 5-43. SOFT TOUCH SYSTEM INSTALLATION - 6FT/1.83M FALL ARREST PLATFORM..... | 486 |
| FIGURE 5-44. SOFT TOUCH SYSTEM INSTALLATION - 8FT/2.44M PLATFORM | 488 |
| FIGURE 5-45. SOFT TOUCH SYSTEM INSTALLATION - 8FT/2.44M FALL ARREST PLATFORM..... | 490 |
| FIGURE 5-46. FALL ARREST INSTALLATION (BOLT-ON) 30IN X 4FT (76CM X 1.22M) PLATFORM | 492 |
| FIGURE 5-47. FALL ARREST INSTALLATION (BOLT-ON) 36IN X 6FT (91.2CM X 1.82M) PLATFORM | 494 |
| FIGURE 5-48. FALL ARREST INSTALLATION (BOLT-ON) 30IN X 6FT (76CM X 1.83M) PLATFORM | 496 |
| FIGURE 5-49. FALL ARREST INSTALLATION (BOLT-ON) 36IN X 8FT (91.5CM X 2.4M) PLATFORM | 498 |
| FIGURE 5-50. FALL ARREST INSTALLATION (BOLT-ON) 36IN X 6FT (91.5CM X 1.82M) TRI-ENTRY PLATFORM)..... | 500 |

TABLE OF CONTENTS

| | |
|---|-----|
| FIGURE 5-51. USB CHARGER INSTALLATION | 502 |
| SECTION 6 - CYLINDER | 505 |
| FIGURE 6-1. AXLE LOCKOUT CYLINDER ASSEMBLY | 506 |
| FIGURE 6-2. LEVEL CYLINDER ASSEMBLY - PLATFORM SLAVE | 508 |
| FIGURE 6-3. LEVEL CYLINDER ASSEMBLY - UPRIGHT | 510 |
| FIGURE 6-4. LIFT CYLINDER ASSEMBLY - JIB (Prior to SN 0300279215) | 512 |
| FIGURE 6-5. LIFT CYLINDER ASSEMBLY - JIB (SN 0300279215 to Present) | 514 |
| FIGURE 6-6. LIFT CYLINDER ASSEMBLY - MAIN BOOM..... | 516 |
| FIGURE 6-7. LIFT CYLINDER ASSEMBLY - TOWER BOOM..... | 518 |
| FIGURE 6-8. MASTER CYLINDER ASSEMBLY | 520 |
| FIGURE 6-9. STEER CYLINDER ASSEMBLY | 522 |
| FIGURE 6-10. TELESCOPE CYLINDER ASSEMBLY - MAIN BOOM | 524 |
| FIGURE 6-11. TELESCOPE CYLINDER ASSEMBLY - TOWER BOOM | 526 |
| SECTION 7 - HYDRAULIC | 529 |
| FIGURE 7-1. HYDRAULIC DIAGRAM - AXLE (OSCILLATING) | 530 |
| FIGURE 7-2. HYDRAULIC DIAGRAM - DRIVE (4WD/2WS WITHOUT TOW PACKAGE/WITHOUT ARCTIC PACKAGE) | 532 |
| FIGURE 7-3. HYDRAULIC DIAGRAM - DRIVE (4WD/2WS WITHOUT TOW PACKAGE/WITH ARCTIC PACKAGE) | 538 |
| FIGURE 7-4. HYDRAULIC DIAGRAM - DRIVE (4WD/2WS WITH TOW PACKAGE/WITHOUT ARCTIC PACKAGE) | 544 |
| FIGURE 7-5. HYDRAULIC DIAGRAM - DRIVE (4WD/2WS WITH TOW PACKAGE/WITH ARCTIC PACKAGE)..... | 550 |
| FIGURE 7-6. HYDRAULIC DIAGRAM - STANDARD | 556 |
| SECTION 8 - ELECTRICAL | 561 |
| FIGURE 8-1. AC BOX AT PLATFORM INSTALLATION - 110V GFI RECEPTACLE (ALL SPECS EXCEPT AUSTRALIAN & CE SPECS)..... | 562 |
| FIGURE 8-2. AC BOX AT PLATFORM INSTALLATION - 220V (ANSI, CSA & JAPANESE SPECS)..... | 564 |
| FIGURE 8-3. AC BOX AT PLATFORM MID-BOOM PLUG INSTALLATION (WITH 4000W/60HZ GENERATOR) (ANSI, ANSI EXPORT, CHINA, CSA & JAPANESE SPECS)..... | 566 |
| FIGURE 8-4. AC BOX AT PLATFORM MID-BOOM PLUG INSTALLATION (WITHOUT 7500W SKYPOWER GENERATOR) (ALL SPECS EXCEPT ANSI & CSA SPECS) | 568 |
| FIGURE 8-5. AC BOX AT PLATFORM MID-BOOM PLUG INSTALLATION (WITH 7500W SKYPOWER GENERATOR) | 570 |
| FIGURE 8-6. AC BOX AT PLATFORM INSTALLATION - 110V IEC YELLOW (CE SPECS) (MACHINES WITH 2500W GENERATOR OR NO GENERATOR OPTION) | 572 |
| FIGURE 8-7. AC BOX AT PLATFORM INSTALLATION - 110V IEC YELLOW (CE SPECS) (MACHINES WITH 4000W GENERATOR)..... | 574 |
| FIGURE 8-8. AC BOX AT PLATFORM INSTALLATION - 220V IEC BLUE (CE SPECS) (MACHINES WITH 2500W GENERATOR OR NO GENERATOR OPTION) | 576 |
| FIGURE 8-9. AC BOX AT PLATFORM INSTALLATION - 220V IEC BLUE (CE SPECS) (MACHINES WITH 4000W GENERATOR)..... | 578 |
| FIGURE 8-10. AC BOX AT PLATFORM INSTALLATION - 220V CEE7 POST GROUND (CE SPECS) (MACHINES WITH 2500W GENERATOR OR NO GENERATOR OPTION) | 580 |
| FIGURE 8-11. AC BOX AT PLATFORM INSTALLATION - 220V CEE7 POST GROUND (CE SPECS) (MACHINES WITH 4000W GENERATOR)..... | 582 |
| FIGURE 8-12. AC BOX AT PLATFORM INSTALLATION - 220V CEE7 SIDE GROUND (CE SPECS) (MACHINES WITH 2500W GENERATOR OR NO GENERATOR OPTION) | 584 |
| FIGURE 8-13. AC BOX AT PLATFORM INSTALLATION - 220V CEE7 SIDE GROUND (CE SPECS) (MACHINES WITH 4000W GENERATOR)..... | 586 |
| FIGURE 8-14. AC BOX AT PLATFORM INSTALLATION - 220V AFSINT 107 KEYED GROUND (CE SPECS) (MACHINES WITH 2500W GENERATOR OR NO GENERATOR OPTION) | 588 |
| FIGURE 8-15. AC BOX AT PLATFORM INSTALLATION - 220V AFSINT 107 KEYED GROUND (CE SPECS) (MACHINES WITH 4000W GENERATOR)..... | 590 |
| FIGURE 8-16. AC BOX AT PLATFORM INSTALLATION - 220V (2X4 BOX & COVER ONLY - LOCALLY SUPPLIED RECEPTACLE) (4000W GENERATOR) | 592 |
| FIGURE 8-17. AC BOX AT PLATFORM INSTALLATION - 240V GFCI RECEPTACLE (ANSI AND CSA SPECS WITH 4000W SKYPOWER GENERATOR)..... | 594 |
| FIGURE 8-18. AC BOX AT PLATFORM INSTALLATION - 240V GFCI RECEPTACLE (ANSI AND CSA SPECS WITH 7500W SKYPOWER GENERATOR)..... | 596 |
| FIGURE 8-19. AC BREAKER BOX INSTALLATION - WITH 3 BREAKERS (CE SPECS WITH 4000W GENERATOR) | 598 |
| FIGURE 8-20. BEACON CONTROL HARNESS (BLUE AND RED STROBE LIGHTS) | 600 |
| FIGURE 8-21. BATTERY DISCONNECT | 602 |
| FIGURE 8-22. BOOM CABLES INSTALLATION - WITH 2500W GENERATOR | 604 |
| FIGURE 8-23. BOOM CABLES INSTALLATION - WITH 4000W GENERATOR (50HZ)..... | 606 |
| FIGURE 8-24. BOOM CABLES INSTALLATION - WITH 4000W GENERATOR (60HZ)..... | 608 |

TABLE OF CONTENTS

| | |
|---|-----|
| FIGURE 8-25. BOOM CABLES INSTALLATION - WITH 7500W SKYPOWER GENERATOR | 610 |
| FIGURE 8-26. BOOM CABLE - MAIN BOOM..... | 612 |
| FIGURE 8-27. BOOM CABLE (TOWER BOOM) | 614 |
| FIGURE 8-28. BOOM VALVE HARNESS..... | 616 |
| FIGURE 8-29. BREAKER BOX INSTALLATION (BRAZIL SPECS)..... | 618 |
| FIGURE 8-30. BREAKER BOX INSTALLATION (CE SPECS WITHOUT 4000W GENERATOR) | 620 |
| FIGURE 8-31. BREAKER BOX KIT - ONE DOUBLE 16AMP BREAKER (BRAZIL SPECS & CE SPECS WITHOUT 4000W GENERATOR) | 622 |
| FIGURE 8-32. BREAKER BOX KIT - WITH 3 BREAKERS (CE SPECS WITH 4000W GENERATOR) | 624 |
| FIGURE 8-33. BREAKER BOX KIT - ONE DOUBLE 16AMP BREAKER (CE SPECS WITH 4000W GENERATOR) | 626 |
| FIGURE 8-34. ENGINE HARNESS - DEUTZ D2011 ENGINES | 628 |
| FIGURE 8-35. ENGINE HARNESS - DEUTZ TD2.9L4 ENGINES..... | 630 |
| FIGURE 8-36. ENGINE HARNESS - DEUTZ TD2.9L4 ENGINES AND DEUTZ TD2.9L4 (STAGE V PRE-BUY) ENGINES | 632 |
| FIGURE 8-37. ENGINE HARNESS - DEUTZ TD2.9L4 (STAGE V) ENGINES | 636 |
| FIGURE 8-38. ENGINE HARNESS - FORD ENGINES | 640 |
| FIGURE 8-39. FUEL PUMP HARNESS - DEUTZ TD2.9L4 ENGINES..... | 642 |
| FIGURE 8-40. FUEL HARNESS - DEUTZ TD2.9L4 (STAGE V) ENGINE | 644 |
| FIGURE 8-41. GENERATOR HARNESS - 4000W GENERATOR..... | 646 |
| FIGURE 8-42. GENERATOR HARNESS - 7500W SKYPOWER GENERATOR | 648 |
| FIGURE 8-43. GENERATOR TO ENGINE HARNESS - 2500W (FORD ENGINES) | 650 |
| FIGURE 8-44. GENERATOR TO ENGINE HARNESS - 4000W (DEUTZ D2011 ENGINES) | 652 |
| FIGURE 8-45. GENERATOR TO ENGINE HARNESS - 4000W (DEUTZ TD2.9L4 ENGINES) | 654 |
| FIGURE 8-46. GENERATOR TO ENGINE HARNESS - 7500W SKYPOWER GENERATOR (DEUTZ D2011 ENGINES) | 656 |
| FIGURE 8-47. GENERATOR TO ENGINE HARNESS - 7500W SKYPOWER (FORD DF 2.5L ENGINES)..... | 658 |
| FIGURE 8-48. GENERATOR HARNESS - 7500W SKYPOWER (DEUTZ TD2.9L4 T4F ENGINES) | 660 |
| FIGURE 8-49. GENERATOR TO REAR OF BOOM HARNESS - 110V | 662 |
| FIGURE 8-50. GENERATOR TO REAR OF BOOM HARNESS - 220V | 664 |
| FIGURE 8-51. GROUND CONTROL BOX HARNESS | 666 |
| FIGURE 8-52. MID BOOM PROXIMITY SENSOR HARNESS | 668 |
| FIGURE 8-53. PLATFORM CONSOLE BOX HARNESS..... | 670 |
| FIGURE 8-54. RECEPTACLE BOX KIT - 110V IEC YELLOW (CE SPECS) | 672 |
| FIGURE 8-55. RECEPTACLE BOX KIT - 220V IEC BLUE (CE SPECS) | 674 |
| FIGURE 8-56. RECEPTACLE BOX KIT - 220V CEE7 POST GROUND 2X4 BOX (CE SPEC) | 676 |
| FIGURE 8-57. RECEPTACLE BOX KIT - 220V CEE7 SIDE GROUND 2X4 BOX (CE SPEC)..... | 678 |
| FIGURE 8-58. RECEPTACLE BOX KIT - 220V AFSINT 107 KEYED GROUND (CE SPECS) | 680 |
| FIGURE 8-59. SKYEYE EMITTER HARNESS | 682 |
| FIGURE 8-60. SKYEYE INTERMEDIATE HARNESS | 684 |
| FIGURE 8-61. SKYEYE RECEIVER HARNESS | 686 |
| FIGURE 8-62. SKYLINE HARNESS..... | 688 |
| FIGURE 8-63. SKYGUARD INTERFACE HARNESS | 690 |
| FIGURE 8-64. VALVE HARNESS | 692 |
| FIGURE 8-65. WHITE NOISE ALARM HARNESS..... | 694 |
| SECTION 9 - DECALS | 697 |
| FIGURE 9-1. DECAL INSTALLATION (ANSI SPECS) | 698 |
| FIGURE 9-2. DECAL INSTALLATION (AUSTRALIAN SPECS)..... | 702 |
| FIGURE 9-3. DECAL INSTALLATION (BRAZILIAN SPECS) | 706 |
| FIGURE 9-4. DECAL INSTALLATION (CE SPECS) | 710 |
| FIGURE 9-5. DECAL INSTALLATION (CHINA SPECS) | 714 |
| FIGURE 9-6. DECAL INSTALLATION (CSA SPECS) | 718 |
| FIGURE 9-7. DECAL INSTALLATION (JAPANESE SPECS)..... | 722 |
| FIGURE 9-8. DECAL INSTALLATION (KOREAN SPECS) | 726 |
| FIGURE 9-9. DECAL INSTALLATION (LATIN AMERICAN SPECS) | 730 |
| FIGURE 9-10. DECAL INSTALLATION - OPTIONS | 734 |
| FIGURE 9-11. SKYCUTTER DECAL INSTALLATION | 738 |
| FIGURE 9-12. SKYWELDER DECAL INSTALLATION - 50HZ | 740 |
| FIGURE 9-13. DECAL INSTALLATION - SKYWELDER (60HZ) | 742 |
| SECTION 10 - RECOMMENDED SERVICE PARTS STOCK..... | 745 |
| FIGURE 10-1. MODEL 800AJ HC3 RECOMMENDED SERVICE PARTS STOCK..... | 746 |
| SECTION 11 - SPECIAL OPTIONS | 749 |
| FIGURE 11-1. SPECIAL OPTIONS..... | 750 |

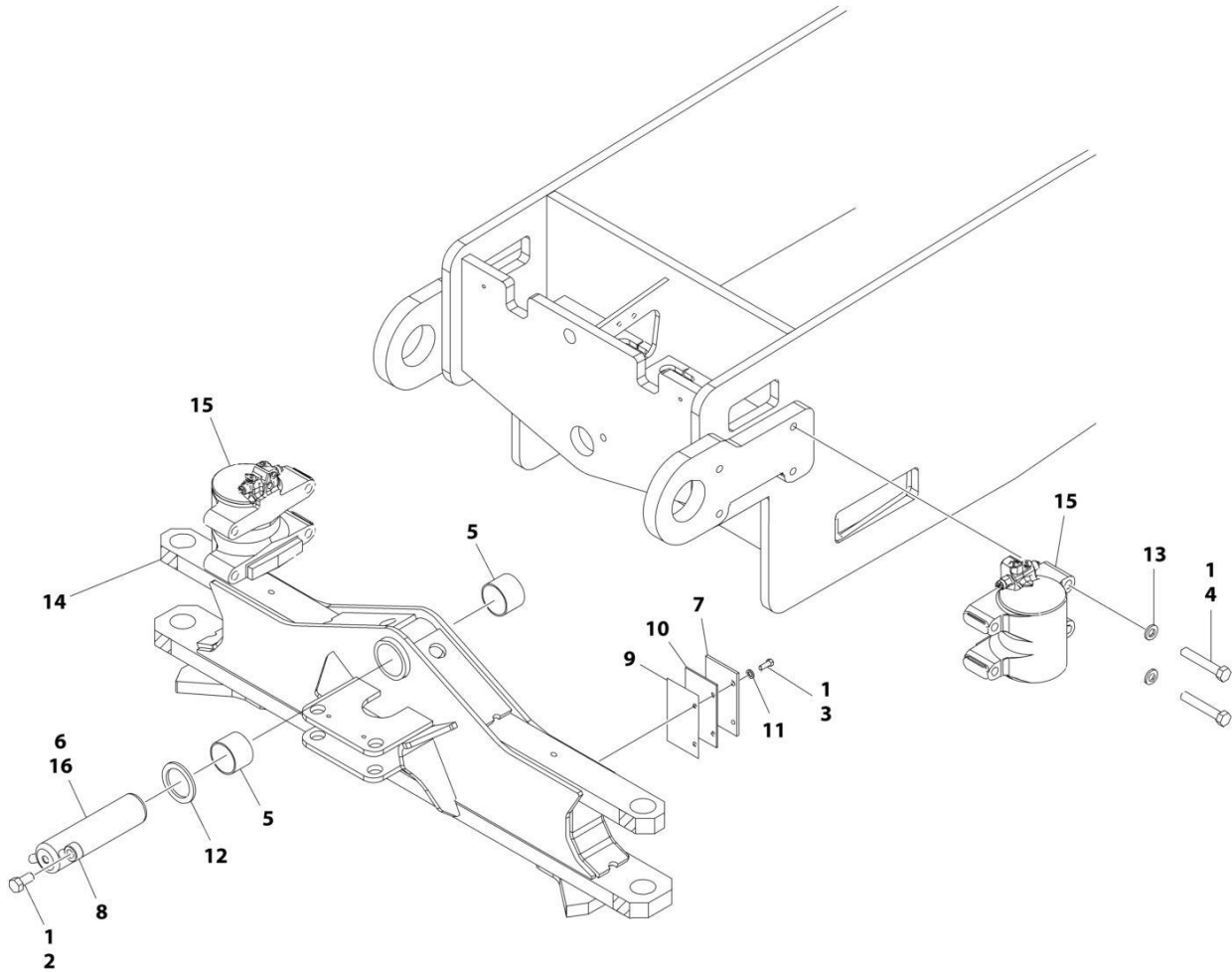
TABLE OF CONTENTS

| | |
|------------------------|-----|
| PART NUMBER INDEX..... | 755 |
|------------------------|-----|

SECTION 1 - FRAME

SECTION 1 - FRAME

FIGURE 1-1. AXLE INSTALLATION - OSCILLATING



ART_1001154584

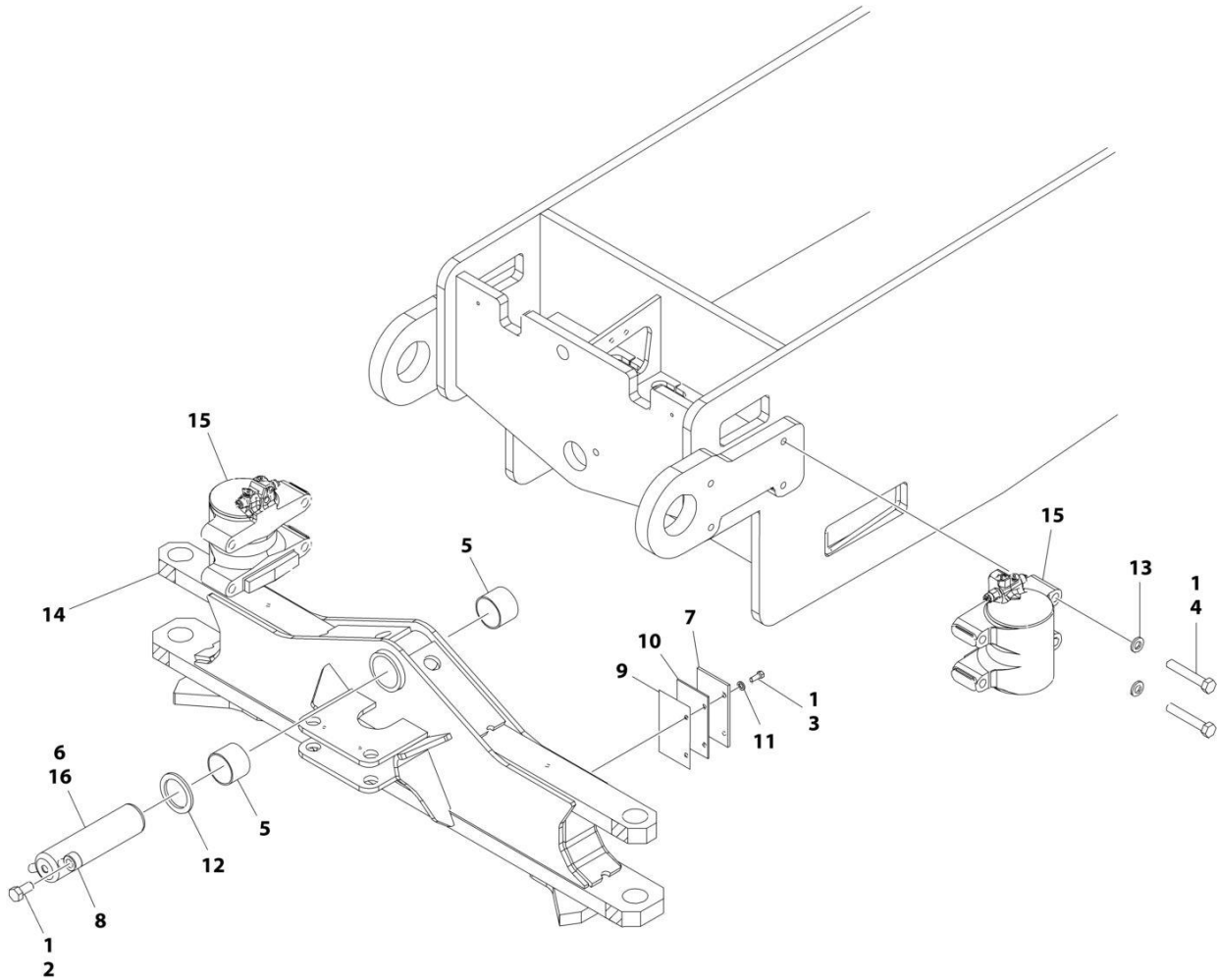
SECTION 1 - FRAME

FIGURE 1-1. AXLE INSTALLATION - OSCILLATING

| ITEM | PART NUMBER | QTY | DESCRIPTION | REV |
|------|-------------|-----|---|-----|
| | 1001154584 | Ref | AXLE INSTALLATION | D |
| 1 | 0100011 | AR | Compound, Locking | |
| 2 | 0642212 | 1 | Bolt 3/4 x 1-1/2 | |
| 3 | 0681608 | 4 | Bolt 3/8 x 1 Grade 8 | |
| 4 | 0682236 | 8 | Bolt 3/4 x 4-1/2 Grade 8 | |
| 5 | 0962102 | 2 | Bushing | |
| 6 | 3020039 | AR | Lubricant | |
| 7 | 3538047 | 2 | Shim .25 | |
| 8 | 3841287 | 1 | Keeper, Pin | |
| 9 | 4070878 | AR | Shim 16 Gauge | |
| 10 | 4070879 | AR | Shim 11 Gauge | |
| 11 | 4711600 | 4 | Washer 3/8 | |
| 12 | 4740472 | 1 | Washer | |
| 13 | 4892200 | 8 | Washer 3/4 | |
| 14 | 1001152719 | 1 | Axle | |
| 15 | 1001204560 | 2 | Axle Lockout Cylinder Assembly (See Separate Breakdown in CYLINDER SECTION) | |
| 16 | 1001156710 | 1 | Pin | |

SECTION 1 - FRAME

FIGURE 1-2. AXLE INSTALLATION - OSCILLATING WITH TOW PACKAGE



ART_1001155194

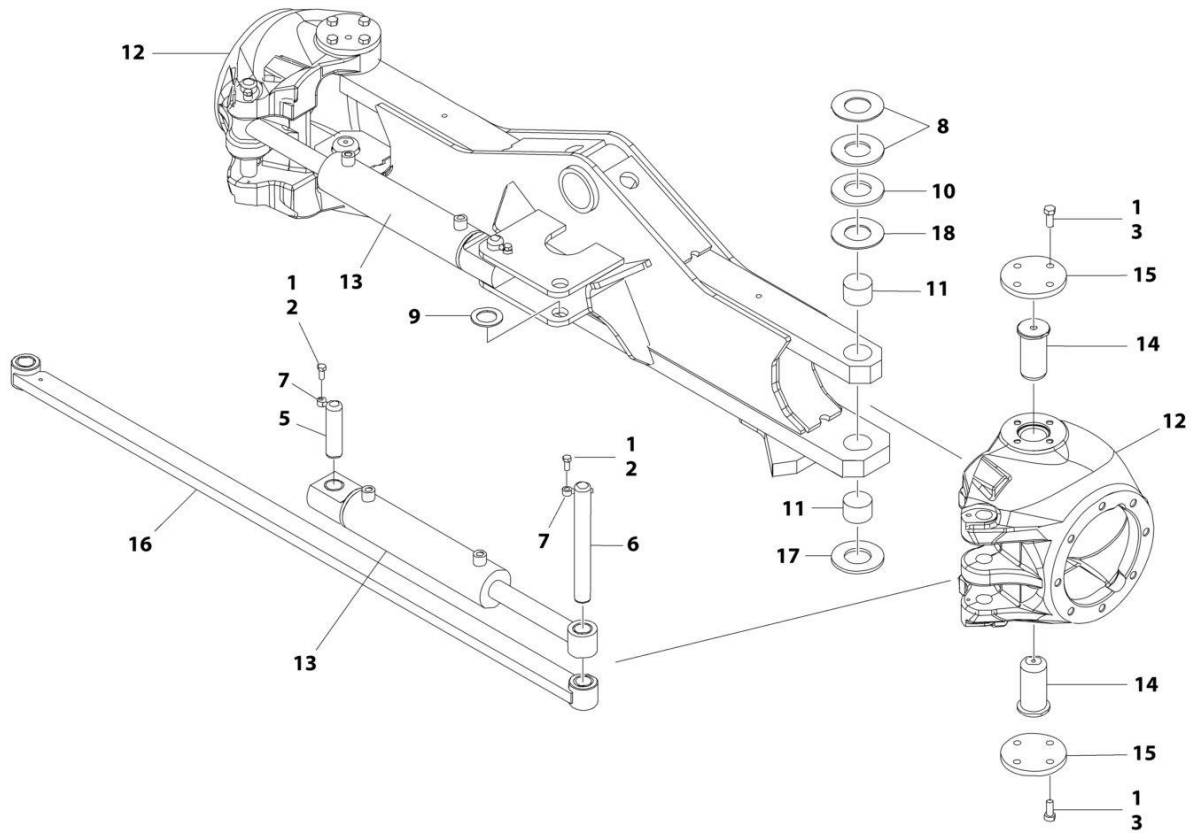
SECTION 1 - FRAME

FIGURE 1-2. AXLE INSTALLATION - OSCILLATING WITH TOW PACKAGE

| ITEM | PART NUMBER | QTY | DESCRIPTION | REV |
|------|-------------|-----|---|-----|
| | 1001155194 | Ref | AXLE INSTALLATION | D |
| 1 | 0100011 | AR | Compound, Locking | |
| 2 | 0642212 | 1 | Bolt 3/4 x 1-1/2 | |
| 3 | 0681608 | 4 | Bolt 3/8 x 1 Grade 8 | |
| 4 | 0682236 | 8 | Bolt 3/4 x 4-1/2 Grade 8 | |
| 5 | 0962102 | 2 | Bushing | |
| 6 | 3020039 | AR | Lubricant | |
| 7 | 3538047 | 2 | Shim .25 | |
| 8 | 3841287 | 1 | Keeper, Pin | |
| 9 | 4070878 | AR | Shim 16 Gauge | |
| 10 | 4070879 | AR | Shim 11 Gauge | |
| 11 | 4711600 | 4 | Washer 3/8 | |
| 12 | 4740472 | 1 | Washer | |
| 13 | 4892200 | 8 | Washer 3/4 | |
| 14 | 1001154875 | 1 | Axle | |
| 15 | 1001204560 | 2 | Axle Lockout Cylinder Assembly (See Separate Breakdown in CYLINDER SECTION) | |
| 16 | 1001156710 | 1 | Pin | |

SECTION 1 - FRAME

FIGURE 1-3. STEER INSTALLATION - 2WS



ART_1001151034

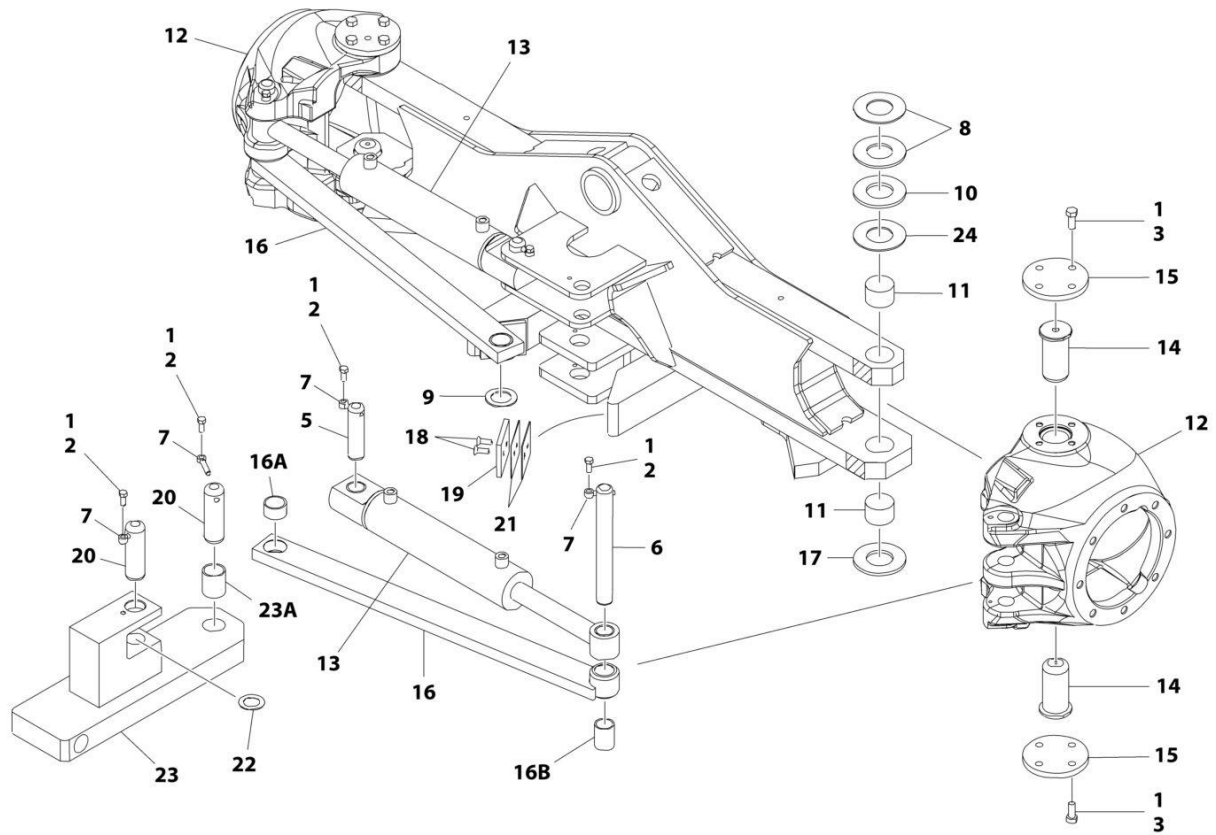
SECTION 1 - FRAME

FIGURE 1-3. STEER INSTALLATION - 2WS

| ITEM | PART NUMBER | QTY | DESCRIPTION | REV |
|------|-------------|-----|--|-----|
| | 1001151034 | Ref | STEER INSTALLATION | H |
| 1 | 0100011 | AR | Compound, Locking | |
| 2 | 0641607 | 4 | Bolt 3/8 x 7/8 | |
| 3 | 0641810 | 16 | Bolt 1/2 x 1-1/4 | |
| 5 | 3422417 | 2 | Pin | |
| 6 | 3422790 | 2 | Pin | |
| 7 | 3841520 | 4 | Keeper, Pin | |
| 8 | 4740256 | AR | Washer, Thrust | |
| 9 | 4740473 | 2 | Washer | |
| 10 | 1001103810 | AR | Washer, Thrust | |
| 11 | 1001165657 | 4 | Bearing | |
| 12 | 1001150372 | 2 | Spindle | |
| 13 | 1001150539 | 2 | Steer Cylinder Assembly (See Separate Breakdown in CYLINDER SECTION) | |
| 14 | 1001161355 | 4 | Kingpin | |
| 15 | 1001150937 | 4 | Plate | |
| 16 | 1001151980 | 1 | Tie-Rod | |
| 17 | 1001161399 | 2 | Washer, Thrust | |
| 18 | 4740463 | AR | Washer, Thrust | |

SECTION 1 - FRAME

FIGURE 1-4. STEER INSTALLATION - 2WS WITH TOW PACKAGE



ART_1001155192

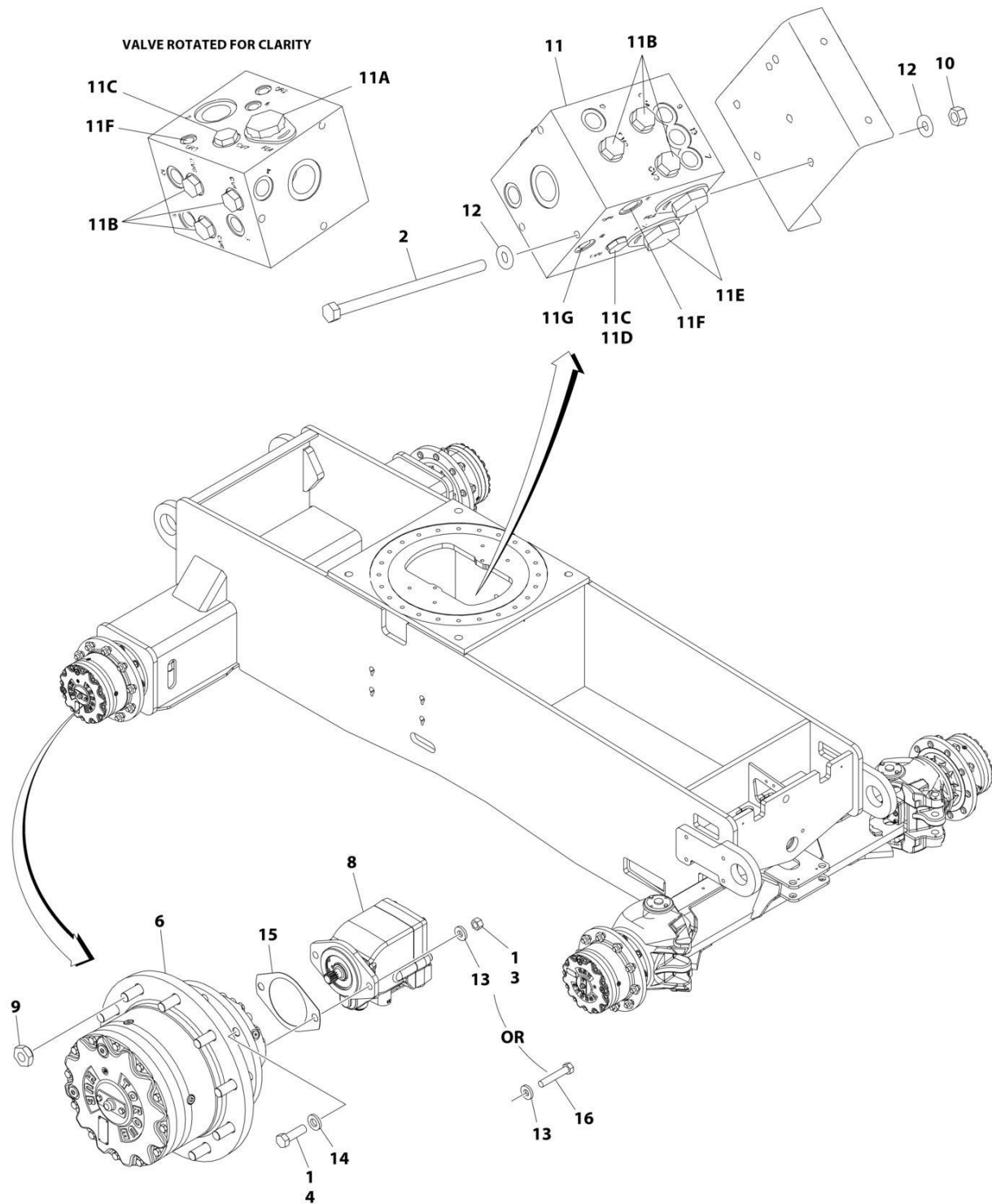
SECTION 1 - FRAME

FIGURE 1-4. STEER INSTALLATION - 2WS WITH TOW PACKAGE

| ITEM | PART NUMBER | QTY | DESCRIPTION | REV |
|------|-------------|-----|--|-----|
| | 1001155192 | Ref | STEER INSTALLATION | G |
| 1 | 0100011 | AR | Compound, Locking | |
| 2 | 0641607 | 6 | Bolt 3/8 x 7/8 | |
| 3 | 0641810 | 16 | Bolt 1/2 x 1-1/4 | |
| 5 | 3422417 | 2 | Pin | |
| 6 | 3422790 | 2 | Pin | |
| 7 | 3841520 | 6 | Keeper, Pin | |
| 8 | 4740256 | AR | Washer, Thrust | |
| 9 | 4740473 | 2 | Washer | |
| 10 | 1001103810 | AR | Washer, Thrust | |
| 11 | 1001165657 | 4 | Bearing | |
| 12 | 1001150372 | 2 | Spindle | |
| 13 | 1001150539 | 2 | Steer Cylinder Assembly (See Separate Breakdown in CYLINDER SECTION) | |
| 14 | 1001161355 | 4 | Kingpin | |
| 15 | 1001150937 | 4 | Plate | |
| 16 | 1001154931 | 2 | Tie-Rod | |
| 16A | 0962181 | 1 | Bushing | |
| 16B | 0962152 | 1 | Bushing | |
| 17 | 1001161399 | 2 | Washer, Thrust | |
| 18 | 0741609 | 4 | Screw 3/8 x 1-1/8 | |
| 19 | 3340966 | 2 | Pad, Stop | |
| 20 | 3422848 | 2 | Pin, Hitch | |
| 21 | 4071059 | AR | Shim 16 Gauge | |
| 22 | 4740155 | 3 | Washer, Thrust | |
| 23 | 1001155035 | 1 | Link | |
| 23A | 0962348 | 1 | Bushing | |
| 24 | 4740463 | AR | Washer, Thrust | |

SECTION 1 - FRAME

FIGURE 1-5. WHEEL DRIVE AND FRAME VALVES INSTALLATION - 4WD/2WS



ART_1001157016

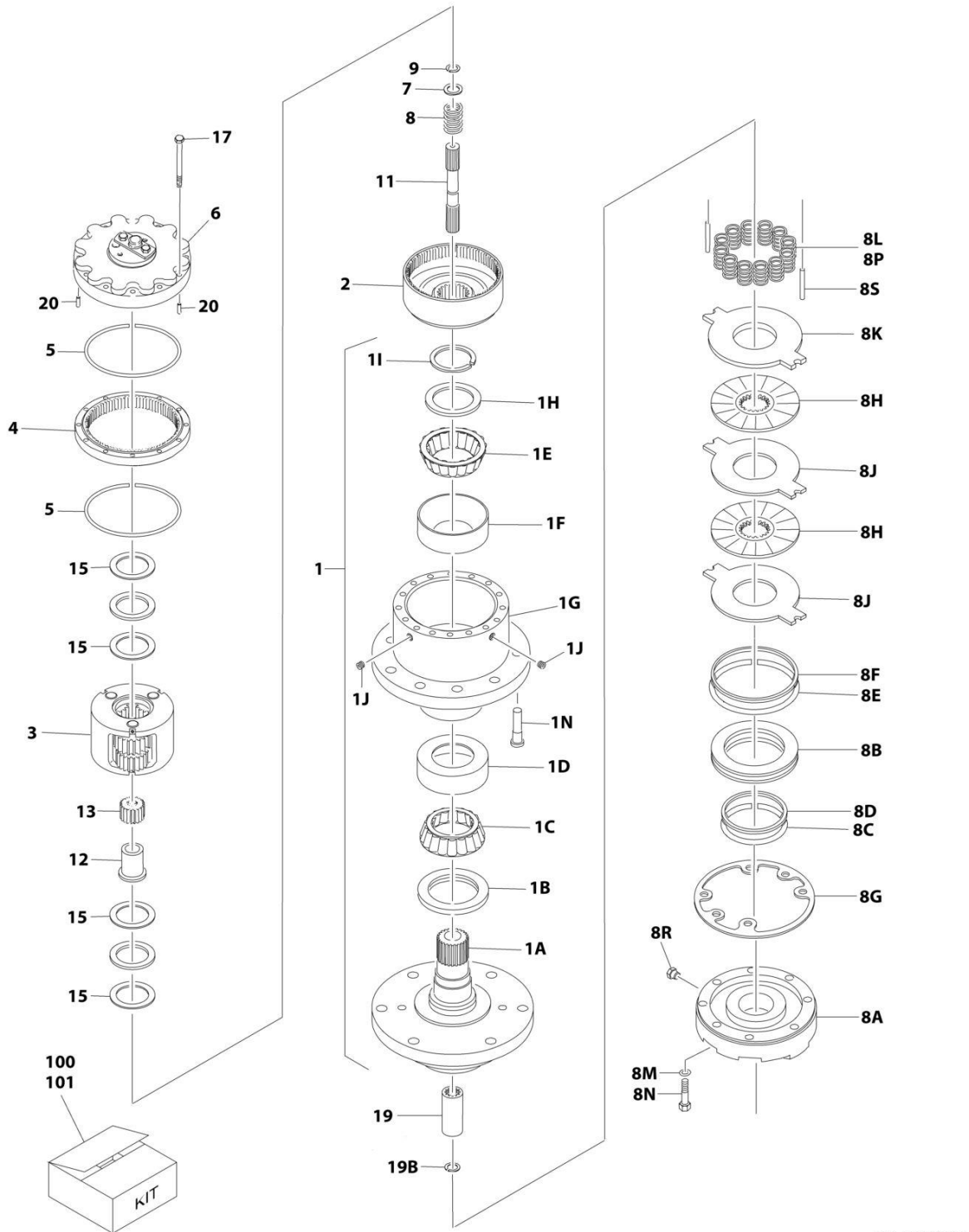
SECTION 1 - FRAME

FIGURE 1-5. WHEEL DRIVE AND FRAME VALVES INSTALLATION - 4WD/2WS

| ITEM | PART NUMBER | QTY | DESCRIPTION | REV |
|------|-------------|-----|---|-----|
| | 1001157016 | Ref | WHEEL DRIVE AND FRAME VALVES INSTALLATION | E |
| 1 | 0100011 | AR | Compound, Locking | |
| 2 | 0641560 | 3 | Bolt 5/16 x 7-1/2 | |
| 3 | 3311801 | 8 | Nut 1/2 | |
| 4 | 0682016 | 32 | Bolt 5/8 x 2 Grade 8 | |
| 5 | 2300016 | AR | Fluid, Hydraulic (Not Shown) | |
| 6 | 1001219219 | 4 | Drive Hub Assembly (See Separate Breakdown in this Section) | |
| 8 | 3160348 | 4 | Drive Motor Assembly (See Separate Breakdown in this Section) | |
| 9 | 3300007 | 40 | Nut, Wheel | |
| 10 | 3311505 | 3 | Nut 5/16 | |
| 11 | 4641303 | 1 | Flow Divider Valve Assembly | C |
| 11A | 7023933 | 1 | Cartridge, Flow Divider | |
| 11A | 7021625 | 1 | Seal Kit - 7023933 Cartridge | |
| 11B | 7022397 | 6 | Cartridge, Check | |
| 11B | 7022399 | 6 | Seal Kit - 7022397 Cartridge | |
| 11C | 7021639 | 2 | Cartridge, Check Valves | |
| 11C | 2900756 | 2 | Seal Kit - 7021639 Cartridge | |
| 11D | 7024881 | 1 | Piston, Pilot | |
| 11E | 7023917 | 2 | Cartridge, Flow Divider | |
| 11E | 7021625 | 2 | Seal Kit - 7023917 Cartridge | |
| 11F | 70003935 | 2 | Orifice | |
| 11G | 70003936 | 1 | Orifice | |
| 12 | 4711500 | 6 | Washer 5/16 | |
| 13 | 4891800 | 8 | Washer 1/2 | |
| 14 | 4892000 | 32 | Washer 5/8 | |
| 15 | 3960526 | 2 | Gasket | |
| 16 | 0681822 | 4 | Bolt 1/2 x 2-3/4 | |

SECTION 1 - FRAME

FIGURE 1-6. DRIVE HUB/BRAKE ASSEMBLY



ART_1001219219

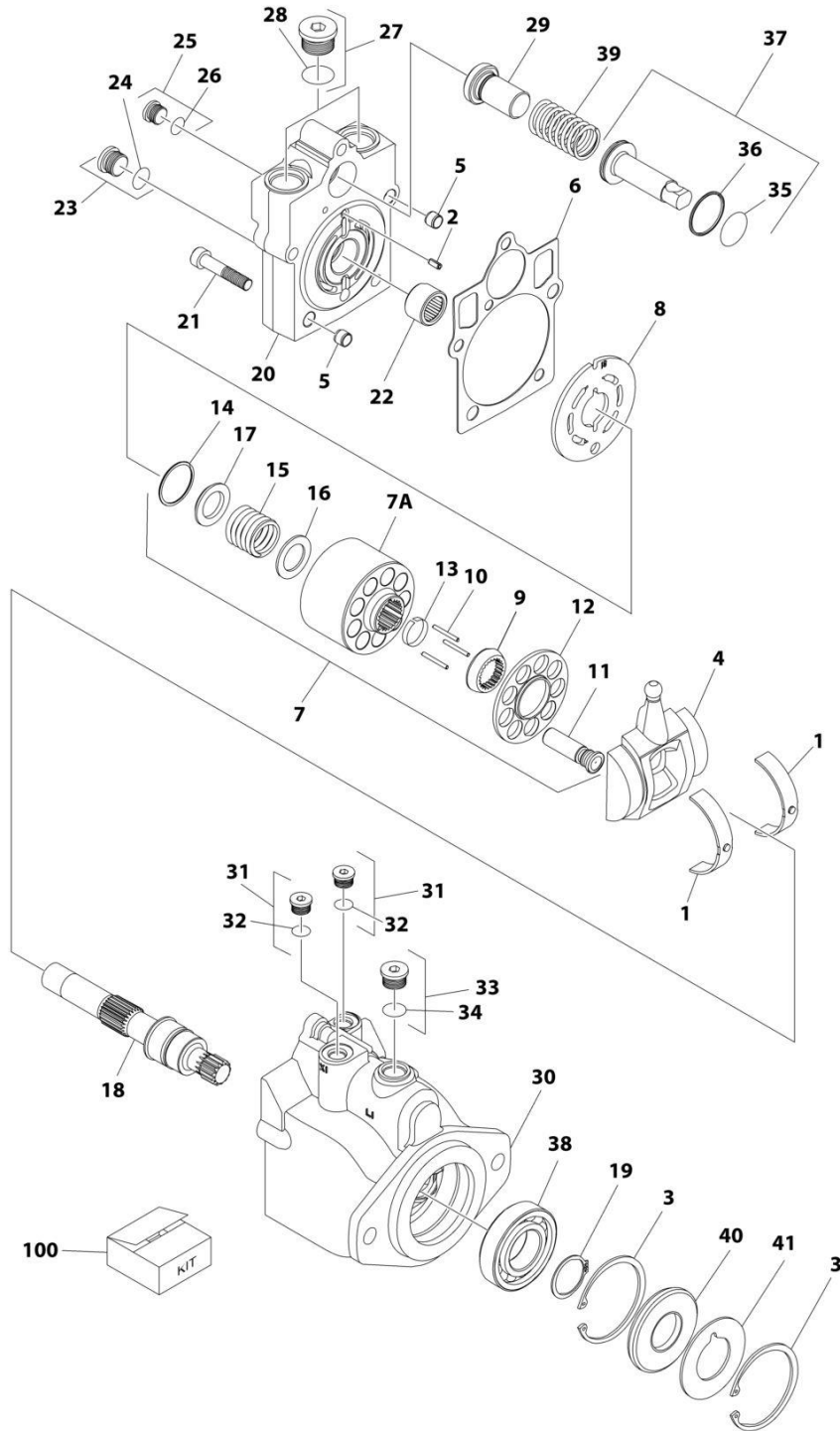
SECTION 1 - FRAME

FIGURE 1-6. DRIVE HUB/BRAKE ASSEMBLY

| ITEM | PART NUMBER | QTY | DESCRIPTION | REV |
|------|-------------|-----|---|-----|
| | 1001219219 | Ref | DRIVE HUB/BRAKE ASSEMBLY | C |
| 1 | See Note | NSS | Spindle/Housing Assembly (Note: Not Available - Purchase Individual Components) | |
| 1A | 70006677 | 1 | Spindle | |
| 1B | 70006678 | 1 | Seal | |
| 1C | 1001091460 | 1 | Cone, Bearing | |
| 1D | 1001091460 | 1 | Cup, Bearing | |
| 1E | 1001091461 | 1 | Cone, Bearing | |
| 1F | 1001091461 | 1 | Cup, Bearing | |
| 1G | See Note | NSS | Housing (Note: Not Available - Not Available for Purchase) | |
| 1H | 7000239 | 1 | Thrustwasher | |
| 1I | 7000240 | 1 | Ring, Retaining | |
| 1J | 7001928 | 1 | Plug, Pipe | |
| 1N | See Note | NSS | Stud, Wheel (Note: Not Available - Not Available for Purchase) | |
| 2 | 7024782 | 1 | Gear, Ring | |
| 3 | 70006673 | 1 | Carrier Assembly | |
| 4 | 7024151 | 1 | Gear, Internal | |
| 5 | 7000224 | 2 | O-Ring | |
| 6 | 70006674 | NSS | Cover Assembly (Note: Not Available - Not Available for Purchase) | |
| 7 | 70006691 | 1 | Thrustwasher | |
| 8 | 7000283 | 1 | Spring | |
| 8A | 7024191 | 1 | Housing, Piston | |
| 8B | 70006684 | 1 | Piston | |
| 8C | See Note | NSS | O-Ring (Note: Use Item 101) | |
| 8D | See Note | NSS | Ring, Back-up (Note: Use Item 101) | |
| 8E | See Note | NSS | O-Ring (Note: Use Item 101) | |
| 8F | See Note | NSS | Ring, Back-up (Note: Use Item 101) | |
| 8G | See Note | NSS | Gasket (Note: Use Items 100 & 101) | |
| 8H | See Note | NSS | Brake, Stator (Note: Use Item 100) | |
| 8J | See Note | NSS | Brake, Rotor (Note: Use Item 100) | |
| 8K | See Note | NSS | Plate, Pressure (Note: Use Item 100) | |
| 8L | 80344004 | 10 | Spring | |
| 8M | 70006685 | 6 | Capscrew | |
| 8N | 70006690 | 6 | Lockwasher | |
| 8P | 70006680 | 2 | Spring | |
| 8R | 7017082 | 2 | Plug | |
| 8S | 7024190 | 2 | Pin, Dowel | |
| 9 | 7000284 | 1 | Ring, Retaining | |
| 11 | 70006675 | 1 | Shaft, Input | |
| 12 | 7024154 | 1 | Spacer, Input | |
| 13 | 7024149 | 1 | Gear, Sun | |
| 15 | 70006692 | 2 | Thrustwasher | |
| 17 | 7000289 | 12 | Bolt 3/8 x 2-1/2in (Grade 8) | |
| 19 | 70006676 | 1 | Coupling | |
| 19B | 7017028 | 1 | Ring, Retaining | |
| 20 | 7017047 | 2 | Pin, Dowel | |
| 100 | 70006832 | 1 | Friction Disc Kit (Includes Items 8G, 8H, 8J & 8K) | |
| 101 | 70006833 | 1 | Seal Kit (Includes Items - 8C-8G) | |

SECTION 1 - FRAME

FIGURE 1-7. DRIVE MOTOR ASSEMBLY - 4WD



ART_3160348

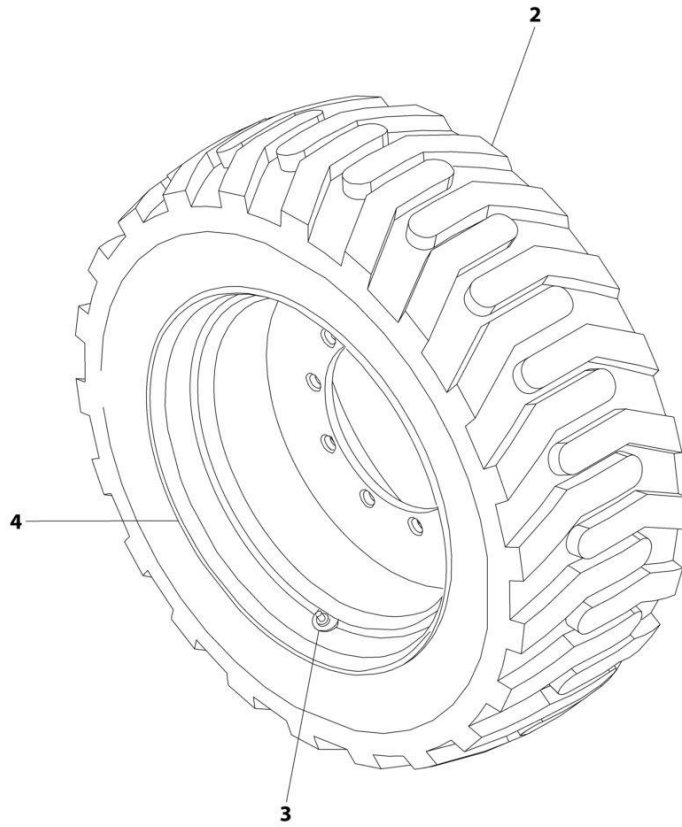
SECTION 1 - FRAME

FIGURE 1-7. DRIVE MOTOR ASSEMBLY - 4WD

| ITEM | PART NUMBER | QTY | DESCRIPTION | REV |
|------|-------------|-----|--|-----|
| | 3160348 | Ref | DRIVE MOTOR ASSEMBLY | D |
| 1 | 7022302 | 2 | Bearing, Journal | |
| 2 | 7007446 | 1 | Pin | |
| 3 | 7007438 | 2 | Ring, Retaining | |
| 4 | 7022305 | 1 | Swash Plate | |
| 5 | See Note | 2 | Pin (Note: Not Available for Purchase) | |
| 6 | See Note | NSS | Gasket (Note: Use Item 100) | |
| 7 | 7023907 | 1 | Cylinder Block Kit (Includes Items 7A & 9-17) | |
| 7A | See Note | NSS | Block, Cylinder (Note: Use Item 7) | |
| 8 | 7023908 | 1 | Plate, Valve | |
| 9 | 7021277 | 1 | Guide, Slipper Retainer | |
| 10 | 7021275 | 3 | Pin, Slipper Hold Down | |
| 11 | See Note | NSS | Piston Assembly (Note: Use Item 7) | |
| 12 | 7022310 | 1 | Retainer, Slipper | |
| 13 | 7021276 | 1 | Retainer, Hold Down Pin | |
| 14 | 7022311 | 1 | Ring, Retaining | |
| 15 | 7022312 | 1 | Spring | |
| 16 | 7024868 | 1 | Washer | |
| 17 | 7022314 | 1 | Retainer, Spring | |
| 18 | 7023910 | 1 | Shaft | |
| 19 | 7007439 | 1 | Ring, Retaining | |
| 20 | 70000797 | 1 | Cap, End - Axial | |
| 21 | 7022368 | 5 | Screw | |
| 22 | 7021249 | 1 | Bearing, Needle | |
| 23 | 2220886 | 1 | Plug (Includes Item 24) | |
| 24 | See Note | 1 | O-Ring (Note: Use Item 23 or 100) | |
| 25 | 2220883 | 1 | Plug (Includes Item 26) | |
| 26 | See Note | NSS | O-Ring (Note: Use Item 25 or 100) | |
| 27 | 2220888 | 2 | Plug (Includes Item 28) | |
| 28 | See Note | NSS | O-Ring (Note: Use Item 27 or 100) | |
| 29 | 7022372 | 1 | Seat, Spring | |
| 30 | See Note | NSS | Housing (Note: Not Available - Purchase Complete Assembly) | |
| 31 | 2220883 | 2 | Plug (Includes Item 32) | |
| 32 | See Note | NSS | O-Ring (Note: Use Item 31 or 100) | |
| 33 | 2220886 | 1 | Plug (Includes Item 34) | |
| 34 | See Note | NSS | O-Ring (Note: Use Item 33 or 100) | |
| 35 | See Note | NSS | O-Ring (Note: Use Item 100) | |
| 36 | See Note | NSS | Ring, Seal (Note: Use Item 100) | |
| 37 | 7024854 | 1 | Piston, Servo (Includes Items 35 & 36) | |
| 38 | 7007437 | 1 | Bearing | |
| 39 | 7022326 | 1 | Spring | |
| 40 | See Note | 1 | Seal, Lip (Note: Use Item 100) | |
| 41 | 7022371 | 1 | Washer, Support | |
| | | Ref | KIT OPTIONS: | |
| 100 | 7022328 | 1 | Seal Kit (Includes Items 6, 24, 26, 28, 32, 34, 35, 36 & 40) | |

SECTION 1 - FRAME

FIGURE 1-8. TIRE AND WHEEL INSTALLATION 18-625 NHS FOAM-FILLED TIRE



ART_0270888

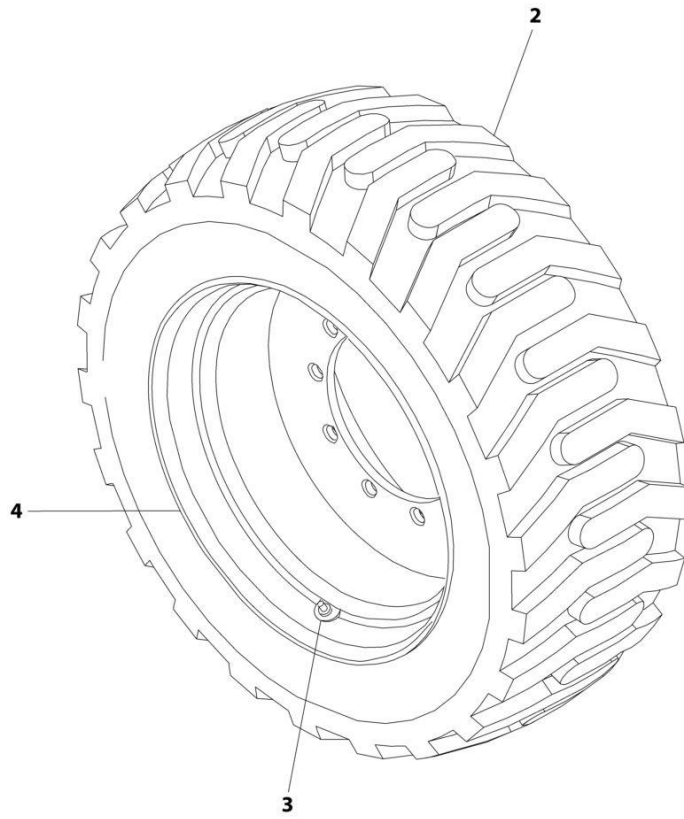
SECTION 1 - FRAME

FIGURE 1-8. TIRE AND WHEEL INSTALLATION 18-625 NHS FOAM-FILLED TIRE

| ITEM | PART NUMBER | QTY | DESCRIPTION | REV |
|------|-------------|-----|--|-----|
| | 0270888 | Ref | TIRE AND WHEEL INSTALLATION | C |
| | 0271090 | 2 | Tire and Wheel Assembly - 18-625 NHS Foam-Filled LH Side | G |
| | 0271091 | 2 | Tire and Wheel Assembly - 18-625 NHS Foam-Filled RH Side | G |
| | | Ref | Note: Assemblies may require ballast/foam filling to manufacturer's specifications prior to installing on a machine. Refer to Operation and Safety or Service and Maintenance Manuals. | |
| | | Ref | Purchase individual tire and/or rim only if able to foam fill tire and wheel assembly, otherwise, purchase complete assembly. | |
| 2 | 4520253 | 1 | Tire 18-625 | |
| 3 | 4641122 | 1 | Valve, Air | |
| 4 | 4860225 | 1 | Rim, Wheel - 15 x 24.5 Rim | |

SECTION 1 - FRAME

FIGURE 1-9. TIRE AND WHEEL INSTALLATION 18-625 NHS FOAM-FILLED NON-MARKING TIRE



ART_1001169757

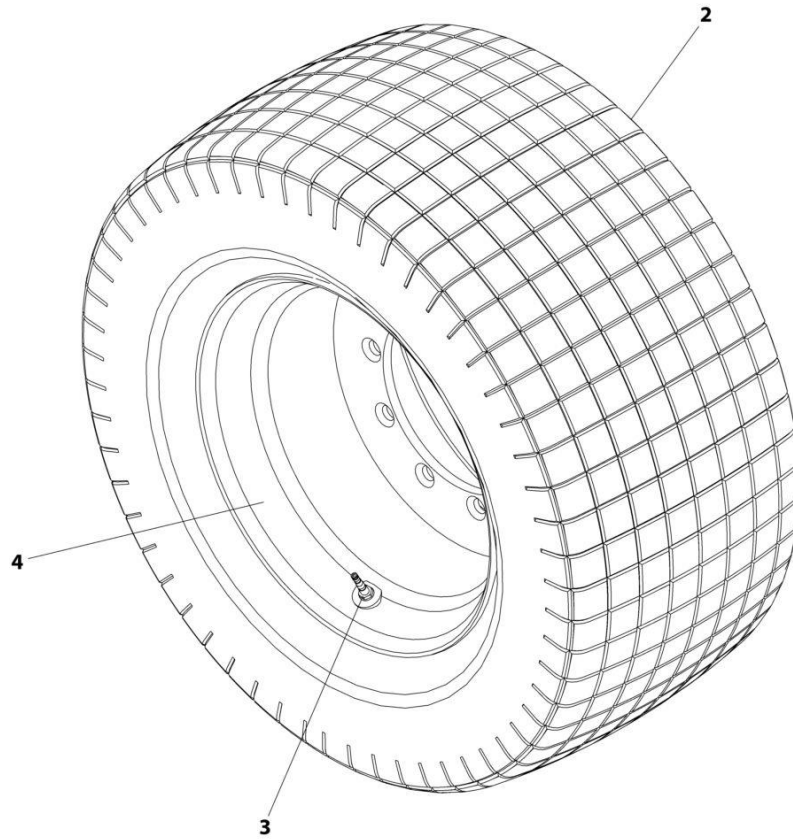
SECTION 1 - FRAME

FIGURE 1-9. TIRE AND WHEEL INSTALLATION 18-625 NHS FOAM-FILLED NON-MARKING TIRE

| ITEM | PART NUMBER | QTY | DESCRIPTION | REV |
|------|-------------|-----|--|-----|
| | 1001169757 | Ref | TIRE AND WHEEL INSTALLATION | A |
| | 1001169755 | 2 | Tire and Wheel Assembly - 18-625 NHS Foam-Filled Non-Marking LH Side | D |
| | 1001169756 | 2 | Tire and Wheel Assembly - 18-625 NHS Foam-Filled Non-Marking RH Side | D |
| | | Ref | Note: Assemblies may require ballast/foam filling to manufacturer's specifications prior to installing on a machine. Refer to Operation and Safety or Service and Maintenance Manuals. | |
| | | Ref | Purchase individual tire and/or rim only if able to foam fill tire and wheel assembly, otherwise, purchase complete assembly. | |
| 2 | 1001169754 | 1 | Tire 18-625 Non-Marking | |
| 3 | 4641122 | 1 | Valve, Air | |
| 4 | 4860225 | 1 | Rim, Wheel - 15 x 24.5 Rim | |

SECTION 1 - FRAME

FIGURE 1-10. TIRE AND WHEEL INSTALLATION 18-625 NHS FOAM-FILLED SAND TIRE



ART_1001243645

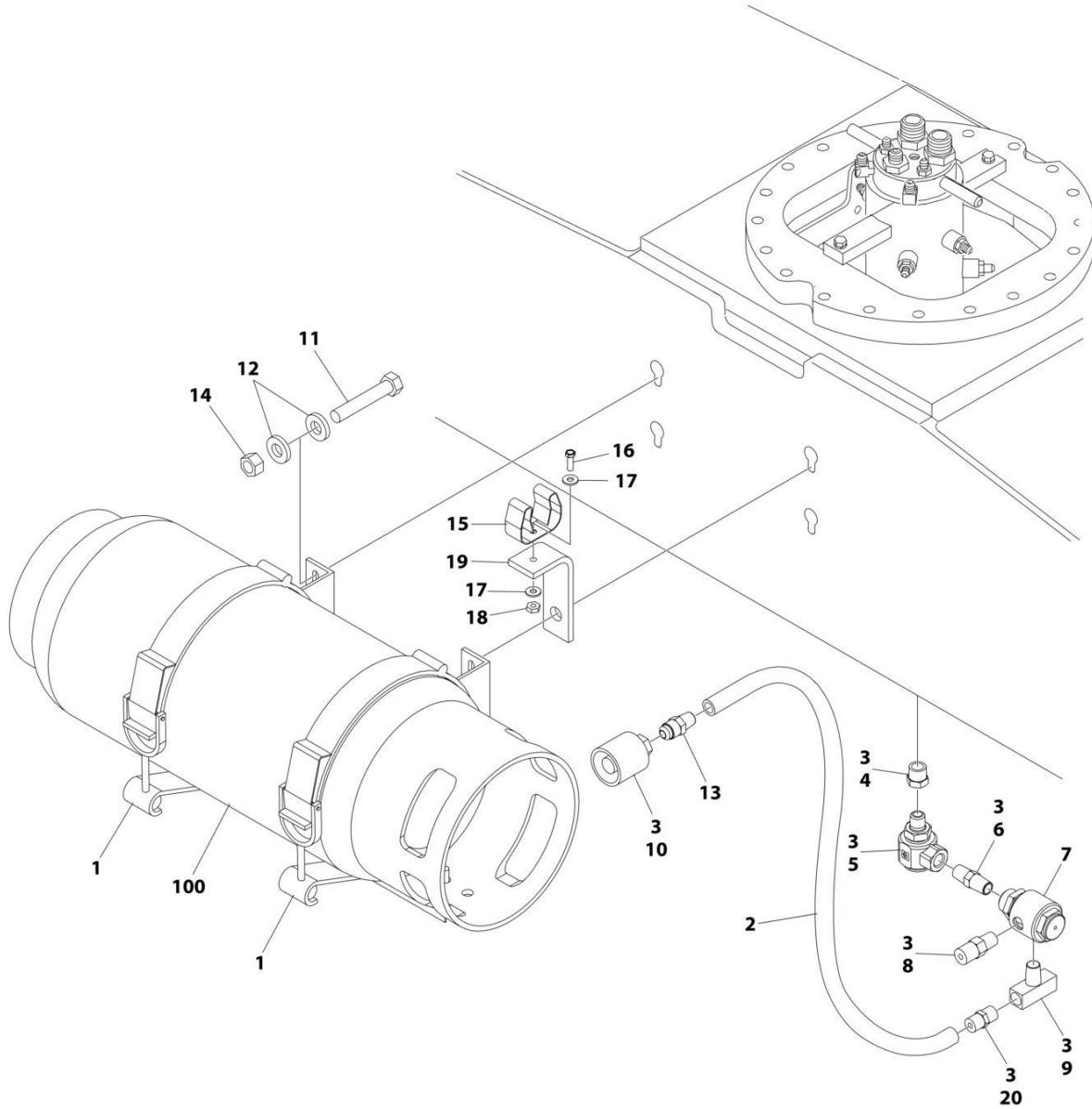
SECTION 1 - FRAME

FIGURE 1-10. TIRE AND WHEEL INSTALLATION 18-625 NHS FOAM-FILLED SAND TIRE

| ITEM | PART NUMBER | QTY | DESCRIPTION | REV |
|------|-------------|-----|--|-----|
| | 1001243645 | Ref | TIRE AND WHEEL INSTALLATION | A |
| | 1001245049 | 4 | Tire and Wheel Assembly - 18-625 NHS Foam-Filled Sand | A |
| | | Ref | Note: Assemblies may require ballast/foam filling to manufacturer's specifications prior to installing on a machine. Refer to Operation and Safety or Service and Maintenance Manuals. | |
| | | Ref | Purchase individual tire and/or rim only if able to foam fill tire and wheel assembly, otherwise, purchase complete assembly. | |
| 2 | 4520256 | 1 | Tire 18-625 Non-Marking | |
| 3 | 4641122 | 1 | Valve, Air | |
| 4 | 1001209982 | 1 | Rim, Wheel - 22.5 x 14 | |

SECTION 1 - FRAME

FIGURE 1-11. LP TANK BRACKETS INSTALLATIONS



ART_1001151010_E

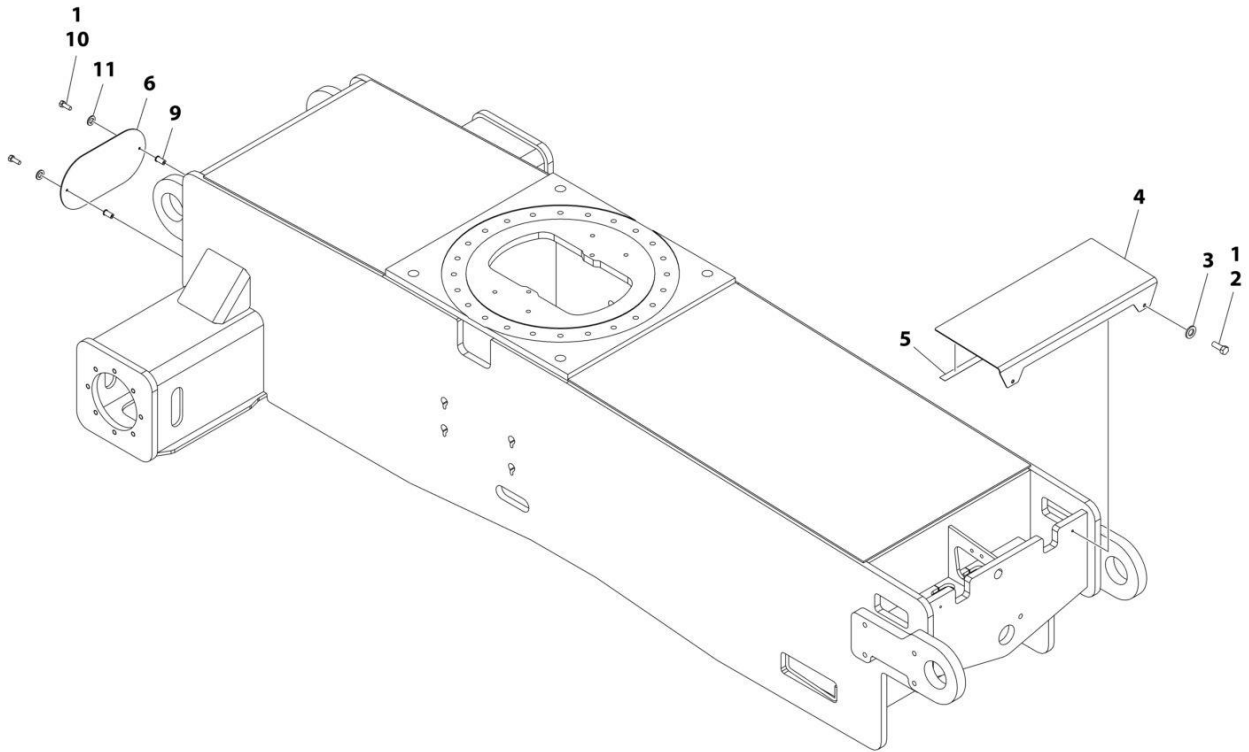
SECTION 1 - FRAME

FIGURE 1-11. LP TANK BRACKETS INSTALLATIONS

| ITEM | PART NUMBER | QTY | DESCRIPTION | REV |
|------|-------------|-----|---------------------------------|-----|
| | 1001151010 | Ref | LP TANK BRACKETS INSTALLATION | E |
| 1 | 1320220 | 2 | Clamp | |
| 1 | 1320127 | 2 | Clamp, Toggle (1 Per Clamp) | |
| 2 | 2720144 | 2 | Hose | |
| 3 | 0100020 | AR | Sealant, Pipe | |
| 4 | 2221197 | 1 | Fitting, Reducer | |
| 5 | 1001247358 | 1 | Fitting, 90 Swivel | |
| 6 | 2220261 | 1 | Fitting, Nipple | |
| 7 | 2180388 | 1 | Fitting, Bulkhead | |
| 8 | 2180389 | 1 | Valve, Relief | |
| 9 | 2220418 | 1 | Fitting, Tee | |
| 10 | 2180387 | 2 | Fitting, Straight | |
| 11 | 0641617 | 8 | Bolt 3/8 x 2-1/8 | |
| 12 | 4751600 | 16 | Washer 3/8 | |
| 13 | 2180418 | 2 | Fitting, Connector | |
| 14 | 3311605 | 8 | Nut 3/8 | |
| 15 | 1320218 | 2 | Clamp, Spring | |
| 16 | 0720804 | 2 | Screw #8 x 1/2 | |
| 17 | 4750800 | 4 | Washer #8 | |
| 18 | 3310805 | 2 | Nut #8 | |
| 19 | 0181949 | 2 | Angle, Support | |
| 20 | 2221024 | 2 | Fitting, Union Ball Check | |
| 100 | 4400275 | 1 | Tank, LP - 43.5 Lbs. (Aluminum) | |
| 100 | 4400420 | 1 | Tank, LP - 43.5 Lbs. (Steel) | |

SECTION 1 - FRAME

FIGURE 1-12. FRAME SHIELDS INSTALLATION - 2WS



ART_1001158203

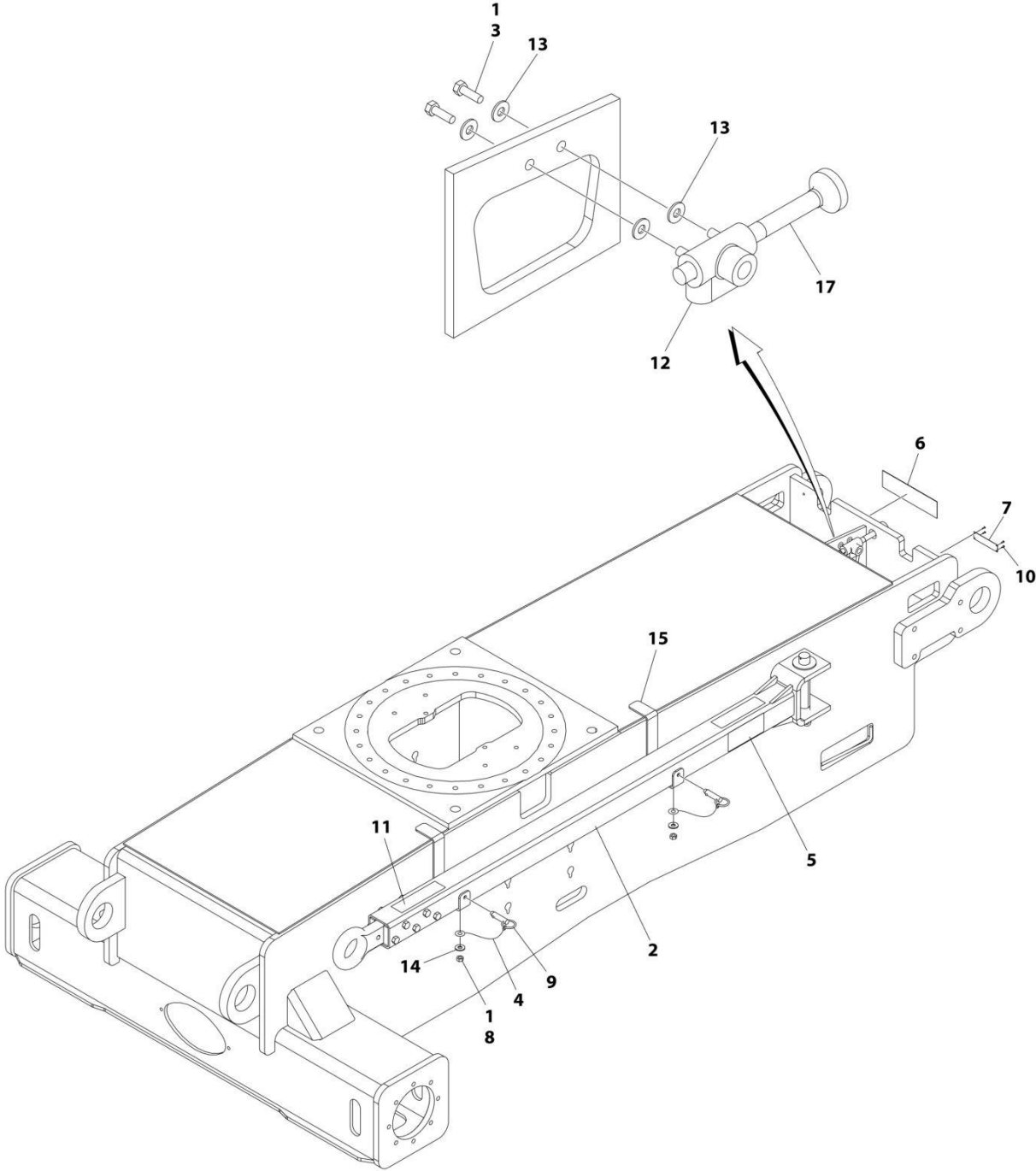
SECTION 1 - FRAME

FIGURE 1-12. FRAME SHIELDS INSTALLATION - 2WS

| ITEM | PART NUMBER | QTY | DESCRIPTION | REV |
|------|-------------|----------------|----------------------------|-----|
| | 1001158203 | Ref | FRAME SHIELDS INSTALLATION | D |
| 1 | 0100011 | AR | Compound, Locking | |
| 2 | 0641606 | 2 | Bolt 3/8 x 3/4 | |
| 3 | 4751600 | 2 | Washer 3/8 | |
| 4 | 1001158187 | 1 | Cover | |
| 5 | 4280296 | 27 in/ 68cm | Trim | |
| 6 | 1001158188 | 1 | Cover | |
| 9 | 8580420 | 2 | Nut, Well | |
| 10 | 0641410 | 2 | Bolt 1/4 x 1-1/4 | |
| 11 | 4751400 | 2 | Washer 1/4 | |

SECTION 1 - FRAME

FIGURE 1-13. TOW PACKAGE INSTALLATION - 2WS (ENGLISH LANGUAGE DECALS)



ART_1001158258

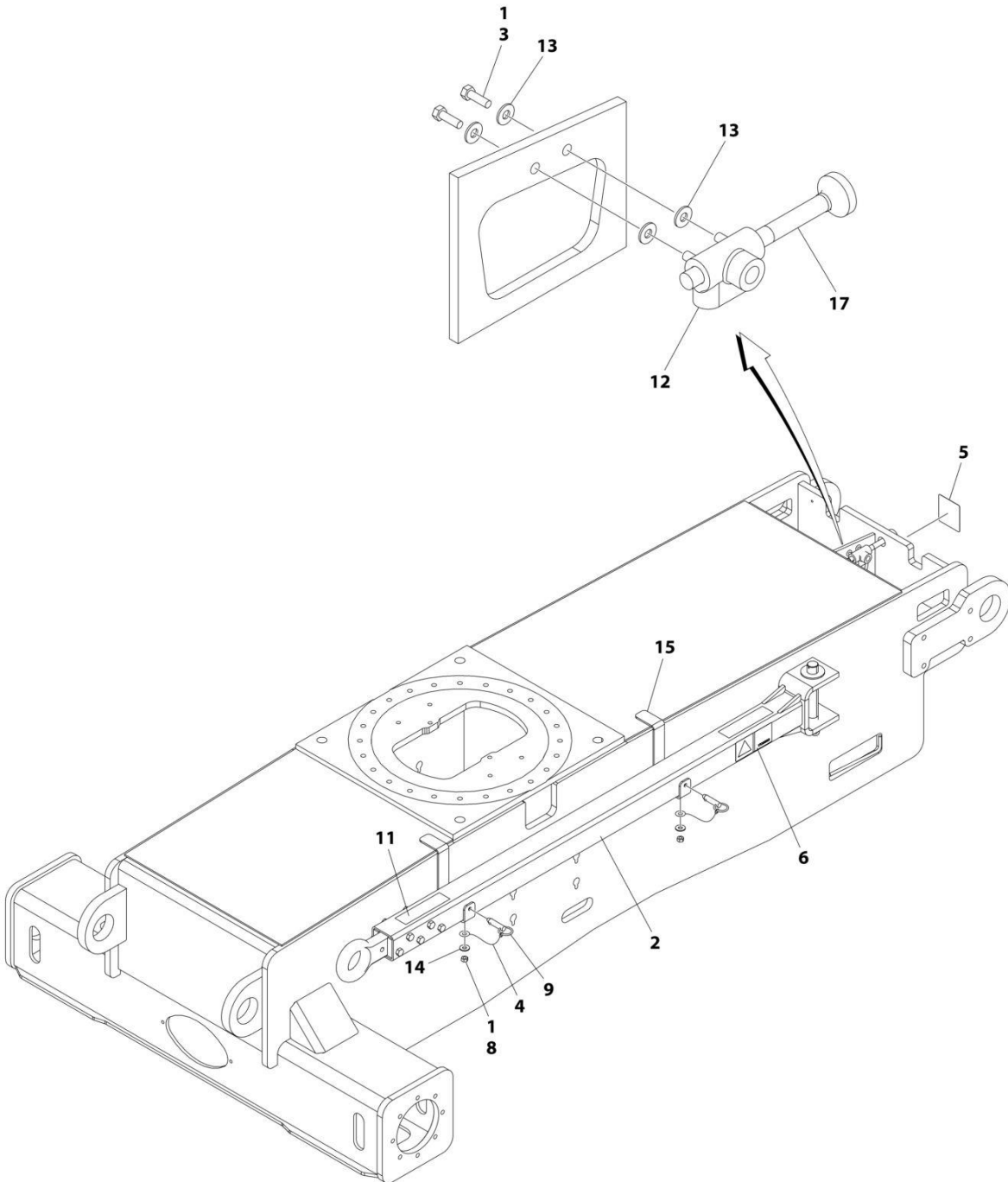
SECTION 1 - FRAME

FIGURE 1-13. TOW PACKAGE INSTALLATION - 2WS (ENGLISH LANGUAGE DECALS)

| ITEM | PART NUMBER | QTY | DESCRIPTION | REV |
|------|-------------|-----------|---|-----|
| | 1001158258 | Ref | TOW PACKAGE INSTALLATION | B |
| 1 | 0100011 | AR | Compound, Locking | |
| 2 | 0232121 | 1 | Tow Bar Assembly (See Separate Breakdown in this Section) | |
| 3 | 0641508 | 2 | Bolt 5/16 x 1 | |
| 4 | 1260017 | 2 ft/0.3m | Chain | |
| 5 | 1704578 | 2 | Decal - Crushing | |
| 6 | 1705090 | 1 | Decal - Towing Instructions | |
| 7 | 3250872 | 1 | Nameplate - Steer/Tow Valve | |
| 8 | 3311401 | 2 | Nut 1/4 | |
| 9 | 3420292 | 2 | Pin | |
| 10 | 3820001 | 4 | Rivet, Pop | |
| 11 | 4420051 | 2 ft/0.3m | Tape | |
| 12 | 4640261 | 1 | Valve, Float Position | |
| 13 | 4751500 | 4 | Washer 5/16 | |
| 14 | 4751400 | 2 | Washer 1/4 | |
| 15 | 1001158522 | 2 | Bracket | |
| 17 | 1001160780 | 1 | Rod, Extension | |

SECTION 1 - FRAME

FIGURE 1-14. TOW PACKAGE INSTALLATION - 2WS (CE SPECS)



ART_1001166806

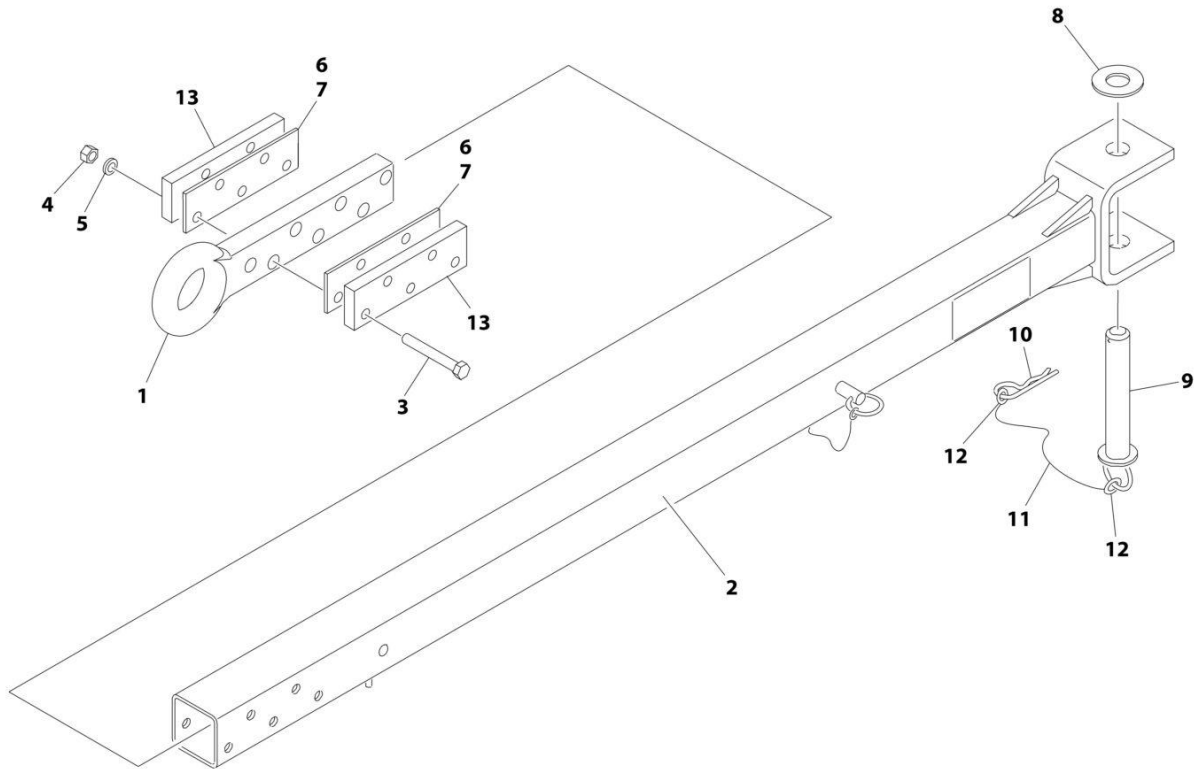
SECTION 1 - FRAME

FIGURE 1-14. TOW PACKAGE INSTALLATION - 2WS (CE SPECS)

| ITEM | PART NUMBER | QTY | DESCRIPTION | REV |
|------|-------------|-----------|---|-----|
| | 1001166806 | Ref | TOW BAR INSTALLATION | B |
| 1 | 0100011 | AR | Compound, Locking | |
| 2 | 0232121 | 1 | Tow Bar Assembly (See Separate Breakdown in this Section) | |
| 3 | 0641508 | 2 | Bolt 5/16 x 1 | |
| 4 | 1260017 | 2 ft/0.3m | Chain | |
| 5 | 1706957 | 1 | Decal - Tow Bar and Steer Select | |
| 6 | 1706960 | 2 | Decal - Crushing | |
| 7 | 2792700 | 1 | Hydraulic Diagram, Tow Bar Circuit (Not Shown) | |
| 8 | 3311401 | 2 | Nut 1/4 | |
| 9 | 3420292 | 2 | Pin | |
| 11 | 4420051 | 2 ft/0.3m | Tape | |
| 12 | 4640261 | 1 | Valve, Float Position | |
| 13 | 4751500 | AR | Washer 5/16 | |
| 14 | 4751400 | 2 | Washer 1/4 | |
| 15 | 1001158522 | 1 | Bracket | |
| 17 | 1001160780 | 1 | Rod, Extension | |

SECTION 1 - FRAME

FIGURE 1-15. TOW BAR ASSEMBLY



ART_232121

SECTION 1 - FRAME

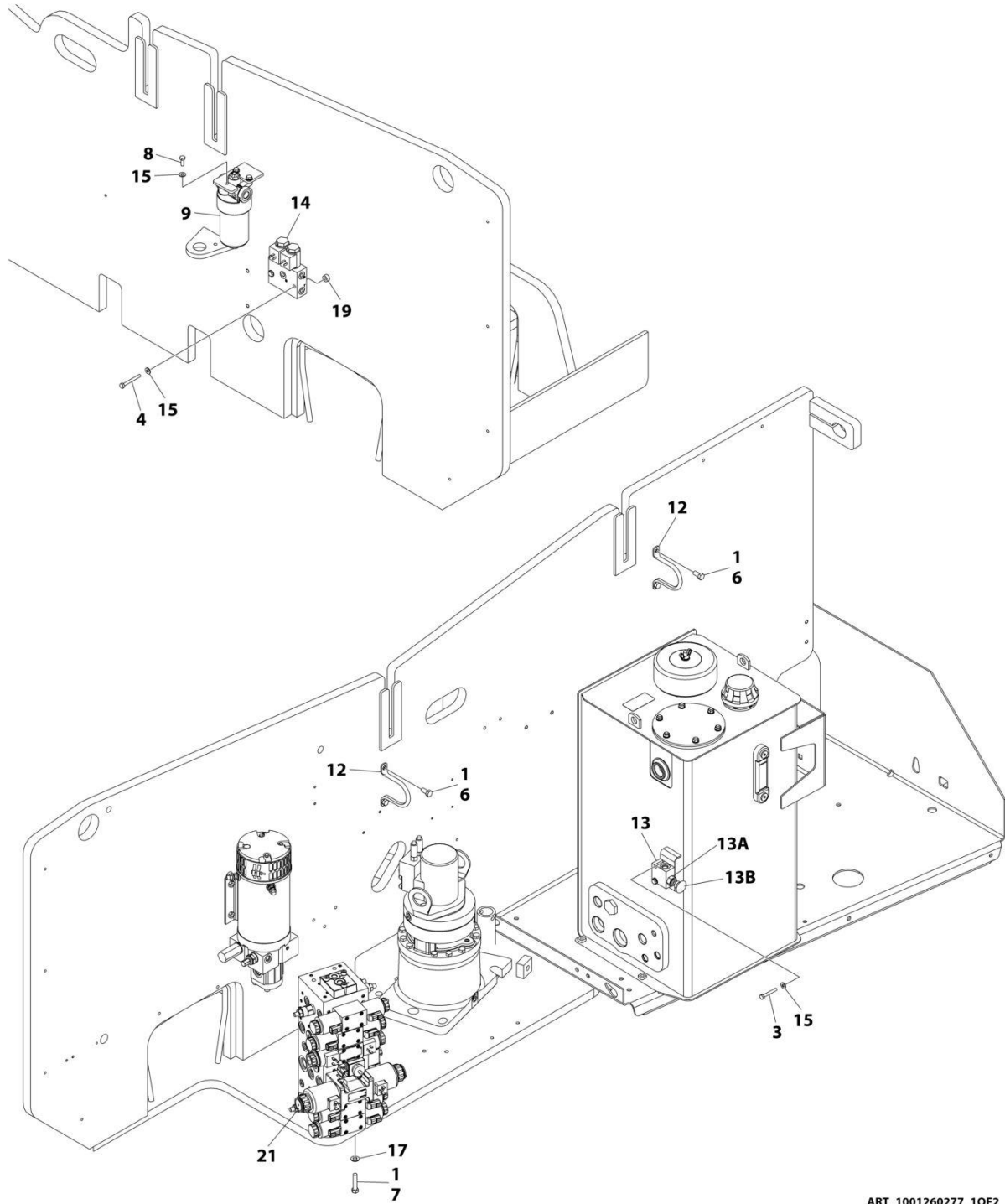
FIGURE 1-15. TOW BAR ASSEMBLY

| ITEM | PART NUMBER | QTY | DESCRIPTION | REV |
|------|-------------|-----|------------------|-----|
| | 0232121 | Ref | TOW BAR ASSEMBLY | 7-G |
| 1 | 0360406 | 1 | Bar, Draw | |
| 2 | 4843777 | 1 | Bar, Tow | |
| 3 | 0642038 | 5 | Bolt 5/8 x 4-3/4 | |
| 4 | 3312001 | 5 | Nut 5/8 | |
| 5 | 4762000 | 5 | Washer 5/8 | |
| 6 | 4070450 | AR | Shim | |
| 7 | 4070561 | AR | Shim | |
| 8 | 4740036 | 1 | Washer 1-1/2 | |
| 9 | 3420447 | 1 | Pin | |
| 10 | 3420372 | 1 | Pin | |
| 11 | 1260135 | 1 | Chain | |
| 12 | 3760170 | 2 | Ring | |
| 13 | 4070560 | 2 | Shim | |

SECTION 2 - TURNTABLE

SECTION 2 - TURNTABLE

FIGURE 2-1. CONTROL VALVES INSTALLATION - WITH 2WS



ART_1001260277_10F2

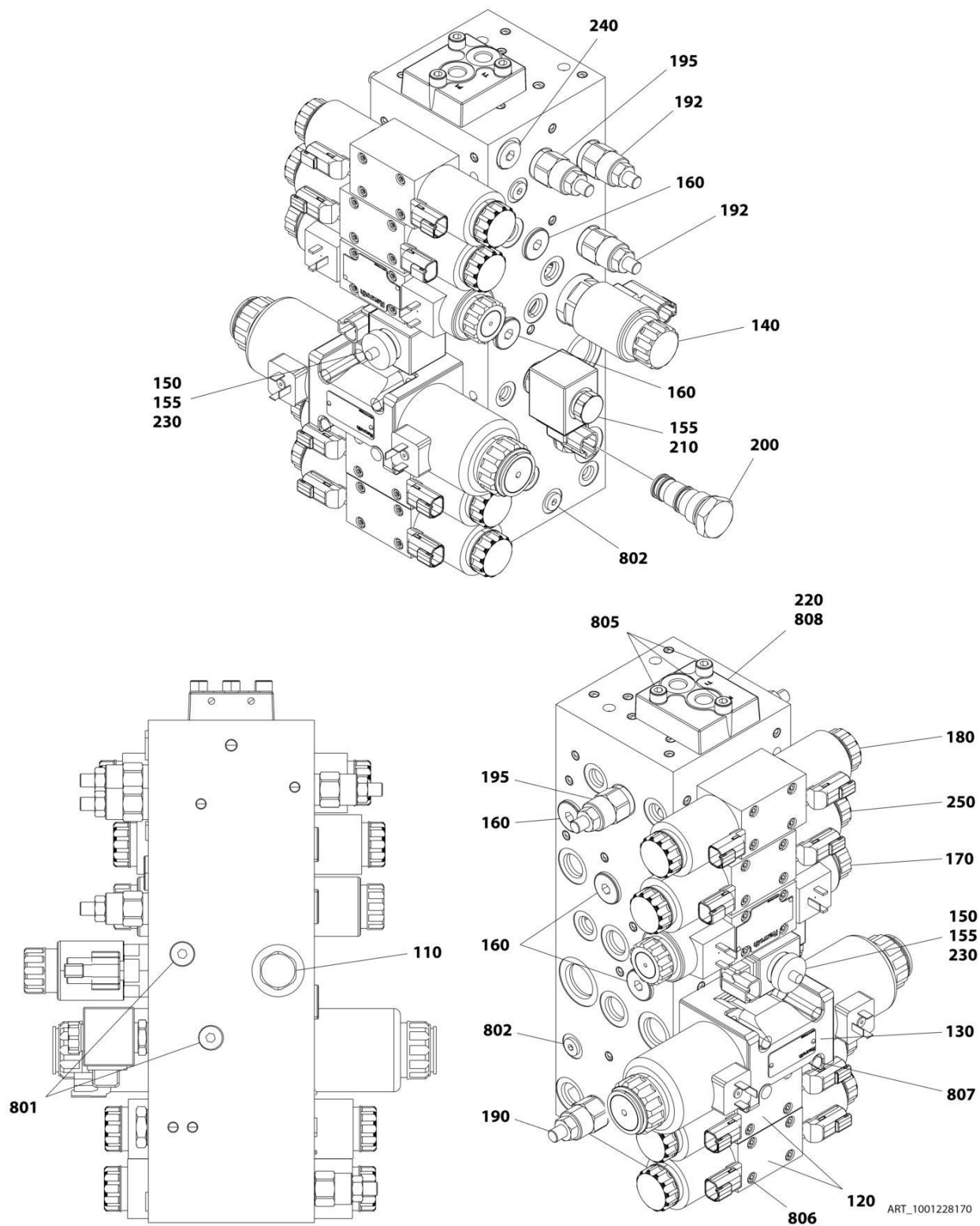
SECTION 2 - TURNTABLE

FIGURE 2-1. CONTROL VALVES INSTALLATION - WITH 2WS

| ITEM | PART NUMBER | QTY | DESCRIPTION | REV |
|------|-------------|-----|--|-----|
| | 1001260277 | Ref | BOOM VALVES INSTALLATION | A |
| 1 | 0100011 | AR | Compound, Locking | |
| 3 | 0641414 | 2 | Bolt 1/4 x 1-3/4 | |
| 4 | 0641418 | 4 | Bolt 1/4 x 2-1/4 | |
| 6 | 0641606 | 4 | Bolt 3/8 x 3/4 | |
| 7 | 0641614 | 3 | Bolt 3/8 x 1-3/4 | |
| 8 | 0651406 | 3 | Bolt 1/4 x 3/4 | |
| 9 | 2120209 | 1 | Pressure Filter Assembly | |
| 9 | 2120210 | 1 | Element, Filter | |
| 12 | 3841340 | 2 | Loop, Hose | |
| 13 | 4640866 | 1 | Level Valve Assembly | |
| 13A | 7017466 | 1 | Cartridge | |
| 13A | 2900708 | 1 | Seal Kit | |
| 13B | 7012959 | 1 | Knob | |
| 14 | 4641317 | 1 | Brake/2 Speed Valve Assembly | |
| 14 | 7012944 | 1 | Coil | |
| 14 | 7012941 | 1 | Cartridge without Coil | |
| 14 | 7010543 | 1 | Seal Kit- 7012941 Cartridge (1 Per Cartridge) | |
| 15 | 4711400 | 11 | Washer 1/4 | |
| 17 | 4711600 | 3 | Washer 3/8 | |
| 19 | 1001110425 | 2 | Spacer | |
| 21 | 1001228170 | 1 | Main Valve Assembly (See Separate Breakdown in this Section) | |

SECTION 2 - TURNTABLE

FIGURE 2-2. CONTROL VALVE ASSEMBLY - 2WS MACHINES



SECTION 2 - TURNTABLE

FIGURE 2-2. CONTROL VALVE ASSEMBLY - 2WS MACHINES

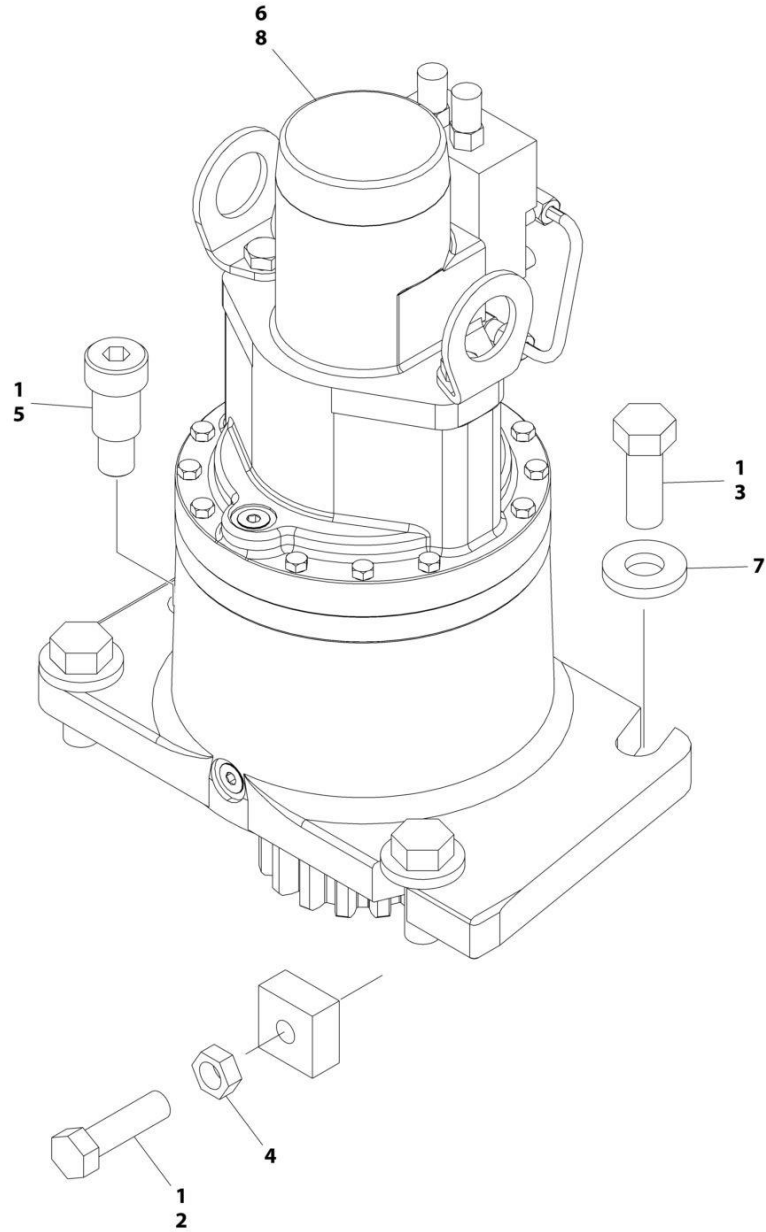
| ITEM | PART NUMBER | QTY | DESCRIPTION | REV |
|------|-------------|-----|---|-----|
| | 1001228170 | Ref | MAIN VALVE ASSEMBLY | B |
| 110 | 70005194 | 1 | Valve, Check Cartridge | |
| 110 | 70004584 | 1 | Seal Kit - 70005194 Valve | |
| 120 | 70004459 | 2 | Valve Assembly (Tower Tele and Tower Lift) | |
| 120 | 7012773 | 2 | Seal Kit - 70004459 Valve | |
| 120 | 70004460 | 4 | Coil | |
| 120 | 7021375 | 4 | Nut, Coil | |
| 120 | 70004461 | 4 | O-Ring, Pole Tube | |
| 130 | 70006955 | 1 | Valve Assembly (Upper Tele) | |
| 130 | 70006957 | 1 | Seal Kit - 70006955 Valve | |
| 130 | 70006956 | 2 | Coil | |
| 140 | 70004657 | 1 | Valve, Cartridge (Flow Control) | |
| 140 | 70004594 | 1 | Seal Kit - 70004657 Valve | |
| 140 | 70004595 | 1 | Coil | |
| 140 | 70004596 | 1 | O-Ring, Pole Tube | |
| 140 | 70004597 | 1 | Nut, Coil | |
| 150 | 70004598 | 1 | Valve, Cartridge Less Coil (Steer Dump) | |
| 150 | 70004055 | 1 | Seal Kit - 70004598 Valve | |
| 155 | 70004653 | 2 | Coil | |
| 155 | 70004051 | 2 | Nut, Coil | |
| 160 | 70023859 | 5 | Valve, Shuffle Cartridge | |
| 160 | 70023860 | 5 | Seal Kit - 70023859 Valve | |
| 170 | 7018992 | 1 | Valve Assembly (Upper Lift) | |
| 170 | 7024021 | 1 | Seal Kit - 7018992 Valve | |
| 170 | 7018991 | 2 | Coil | |
| 170 | 7021375 | 2 | Nut, Coil | |
| 170 | 70004461 | 2 | O-Ring, Pole Tube | |
| 180 | 70005195 | 1 | Valve Assembly (Front Steer) | |
| 180 | 7012773 | 1 | Seal Kit - 70005195 Valve | |
| 180 | 70004463 | 2 | Coil | |
| 180 | 7021375 | 2 | Nut, Coil | |
| 180 | 70004461 | 2 | O-Ring, Pole Tube | |
| 190 | 70003019 | 1 | Valve, Relief Catridge (was PN 70006959) | |
| 190 | See Note | NSS | Seal Kit - Valve (Note: Not Available for Purchase) | |
| 192 | 70003019 | 1 | Valve, Relief Catridge (was PN 70006960) | |
| 192 | See Note | NSS | Seal Kit - Valve (Note: Not Available for Purchase) | |
| 195 | 70003019 | 1 | Valve, Relief Catridge (was PN 70006958) | |
| 195 | See Note | NSS | Seal Kit - Valve (Note: Not Available for Purchase) | |
| 200 | 70004665 | 1 | Valve, Check - Catridge | |
| 200 | 70023862 | 1 | Seal Kit - 70004665 Valve | |
| 210 | 70004457 | 1 | Valve, Cartridge Less Coil (Main Dump) | |
| 210 | 70004050 | 1 | Seal Kit - 70004665 Valve | |
| 210 | 70004653 | 1 | Coil | |
| 220 | 70004667 | 1 | Cover | |
| 230 | 70005196 | 1 | Orifice .118 | |
| 240 | 70005197 | 1 | Plug (2WS) | |
| 240 | 70004052 | 1 | Seal Kit - 70005197 Plug | |
| 250 | 70005198 | 1 | Valve Assembly (Swing) | |
| 250 | 70006961 | 1 | Seal Kit - 70005198 Valve | |
| 250 | 70004463 | 2 | Coil | |

SECTION 2 - TURNTABLE

| ITEM | PART NUMBER | QTY | DESCRIPTION | REV |
|------|-------------|-----|-------------------|-----|
| 250 | 7021375 | 2 | Nut, Coil | |
| 250 | 70004461 | 2 | O-Ring, Pole Tube | |
| 801 | 70005199 | 2 | Plug | |
| 802 | 70005200 | 4 | Plug | |
| 805 | 70005201 | 3 | Capscrew | |
| 806 | 7018942 | 20 | Capscrew | |
| 807 | 7018951 | 4 | Capscrew | |
| 808 | 70005202 | 2 | O-Ring | |

SECTION 2 - TURNTABLE

FIGURE 2-3. SWING DRIVE INSTALLATION



ART_1001156136_B

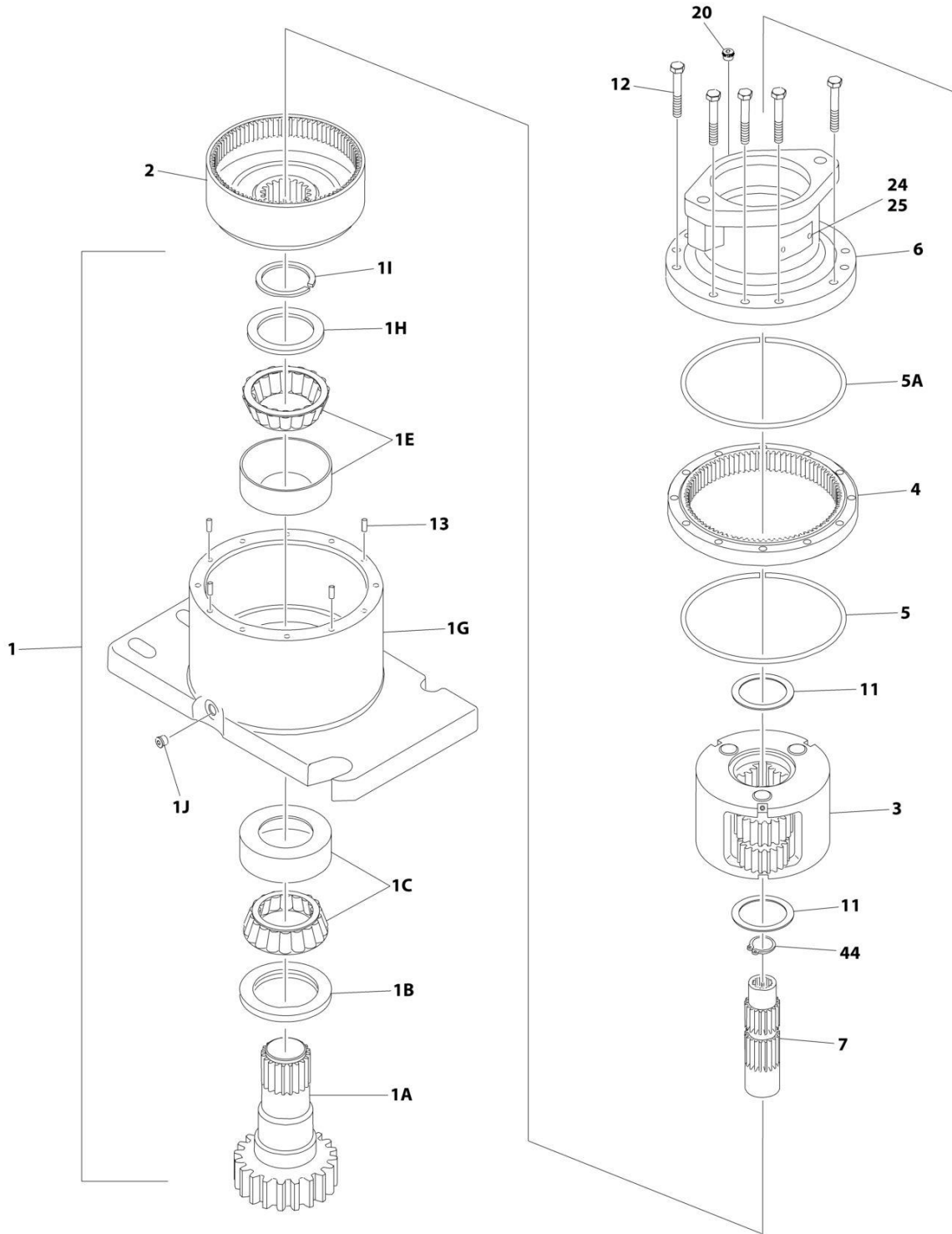
SECTION 2 - TURNTABLE

FIGURE 2-3. SWING DRIVE INSTALLATION

| ITEM | PART NUMBER | QTY | DESCRIPTION | REV |
|------|-------------|-----|---|-----|
| | 1001156136 | Ref | SWING DRIVE INSTALLATION | B |
| 1 | 0100019 | AR | Compound, Locking | |
| 2 | 3952020 | 1 | Setscrew 5/8 x 2-1/2 | |
| 3 | 0682216 | 4 | Bolt 3/4 x 2 Grade 8 | |
| 4 | 3312002 | 1 | Nut 5/8 | |
| 5 | 3900293 | 1 | Screw 1 x 1-1/4 | |
| 6 | 1001125492 | 1 | Shim | |
| 7 | 4740057 | 4 | Washer | |
| 8 | 1001229810 | 1 | Swing Motor/Hub Assembly (See Separate Breakdown in this Section) | |

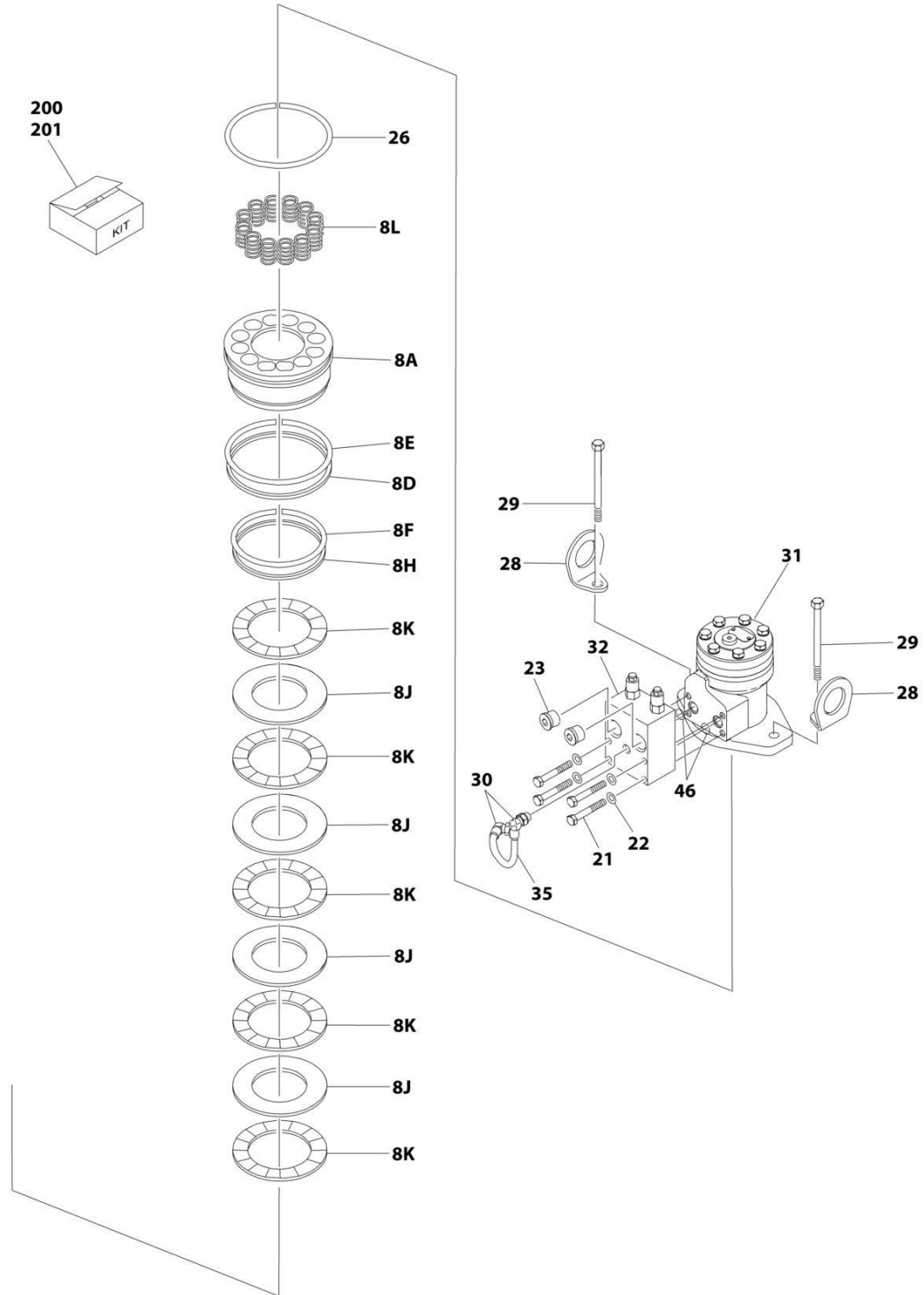
SECTION 2 - TURNTABLE

FIGURE 2-4. SWING MOTOR/HUB ASSEMBLY



ART_1001229810_10F2

SECTION 2 - TURNTABLE



ART_1001229810_20F2

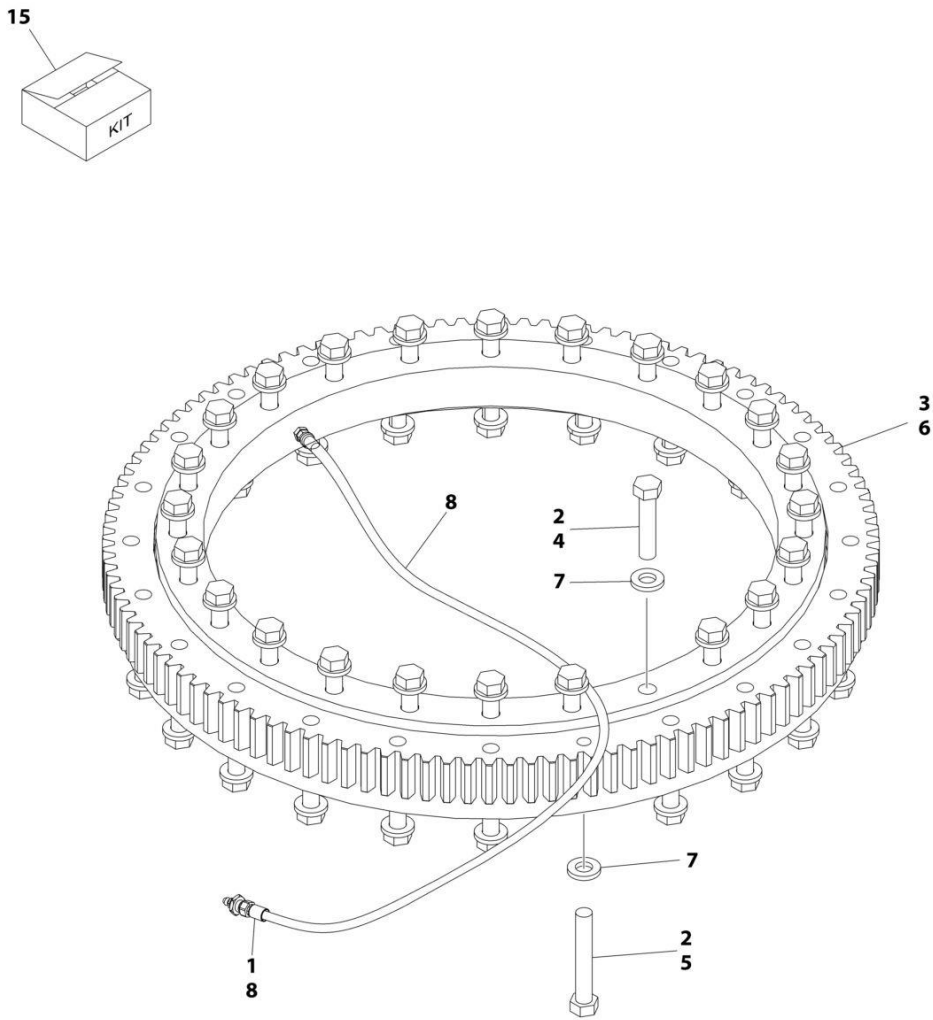
SECTION 2 - TURNTABLE

FIGURE 2-4. SWING MOTOR/HUB ASSEMBLY

| ITEM | PART NUMBER | QTY | DESCRIPTION | REV |
|------|-------------|-----|---|-----|
| | 1001229810 | Ref | SWING MOTOR/HUB ASSEMBLY | C |
| 1 | See Note | 1 | Housing/Shaft Assembly (Note: Not Available - Purchase Individual Components) | |
| 1A | 7010492 | 1 | Shaft, Output | |
| 1B | 7000228 | 1 | Seal, Lip | |
| 1C | 7000255 | 1 | Bearing Kit (Includes Cup and Cone) | |
| 1E | 7000257 | 1 | Bearing Kit (Includes Cup and Cone) | |
| 1G | 7024762 | 1 | Housing | |
| 1H | 7007633 | 1 | Washer, Thrust | |
| 1I | 7000229 | 1 | Ring, Retaining | |
| 1J | 7017072 | 1 | Plug, Pipe | |
| 2 | 7000246 | 1 | Gear, Internal | |
| 3 | 7000247 | 1 | Carrier Assembly | |
| 4 | 7000248 | 1 | Gear, Ring | |
| 5 | 7000230 | 1 | O-Ring | |
| 5A | 7017070 | 1 | O-Ring | |
| 6 | 1001229810 | NSS | Housing, Brake (Note: Not Available - Purchase Complete Assembly) | |
| 7 | 70005203 | 1 | Gear, Sun | |
| 8A | 70004037 | 1 | Piston | |
| 8D | 70004041 | 1 | O-Ring | |
| 8E | 70004044 | 1 | Ring, Back-up | |
| 8F | 70004042 | 1 | O-Ring | |
| 8H | 70004043 | 1 | Ring, Back-up | |
| 8J | 70002085 | 4 | Disc, Rotor | |
| 8K | 70002085 | 5 | Disc, Stator | |
| 8L | 70002066 | 14 | Spring | |
| 11 | 7000253 | 2 | Washer, Thrust | |
| 12 | 7000217 | 12 | Bolt 3/8 x 2-1/4 Grade 8 | |
| 13 | 7017080 | 4 | Pin, Dowel | |
| 20 | 7017072 | 1 | Plug, Pipe | |
| 21 | 7024704 | 4 | Bolt 5/16 x 2 Grade 8 | |
| 22 | 70004045 | 4 | Washer | |
| 23 | 7017023 | 2 | Plug, Pipe | |
| 24 | See Note | NSS | Plate, ID (Note: Not Available for Purchase) | |
| 25 | See Note | NSS | Rivet (Note: Not Available for Purchase) | |
| 26 | 7024763 | 1 | O-Ring | |
| 28 | See Note | NSS | Lug, Lifting (Note: Not Available for Purchase) | |
| 29 | 70004040 | 2 | Bolt 1/2 x 1 (Grade 8) | |
| 30 | 7017085 | 2 | Elbow | |
| 31 | 70006304 | 1 | Motor Assembly | |
| 32 | 7024784 | 1 | Valve Assembly - Complete (No Serviceable Parts) | |
| 35 | 70004047 | 1 | Tube | |
| 44 | 7017028 | 1 | Ring, Internal Retaining | |
| 45 | 7000213 | 2 | O-Ring | |
| | | Ref | KIT OPTIONS: | |
| 200 | 7024100 | 1 | Seal Kit - Swing Hub (Includes Items 1B, 1I, 5, 5A & 11) | |
| 201 | 70002085 | 1 | Disc Kit - Swing Brake (Includes Items 8J & 8K) | |

SECTION 2 - TURNTABLE

FIGURE 2-5. TURNTABLE BEARING INSTALLATION



ART_1001157049

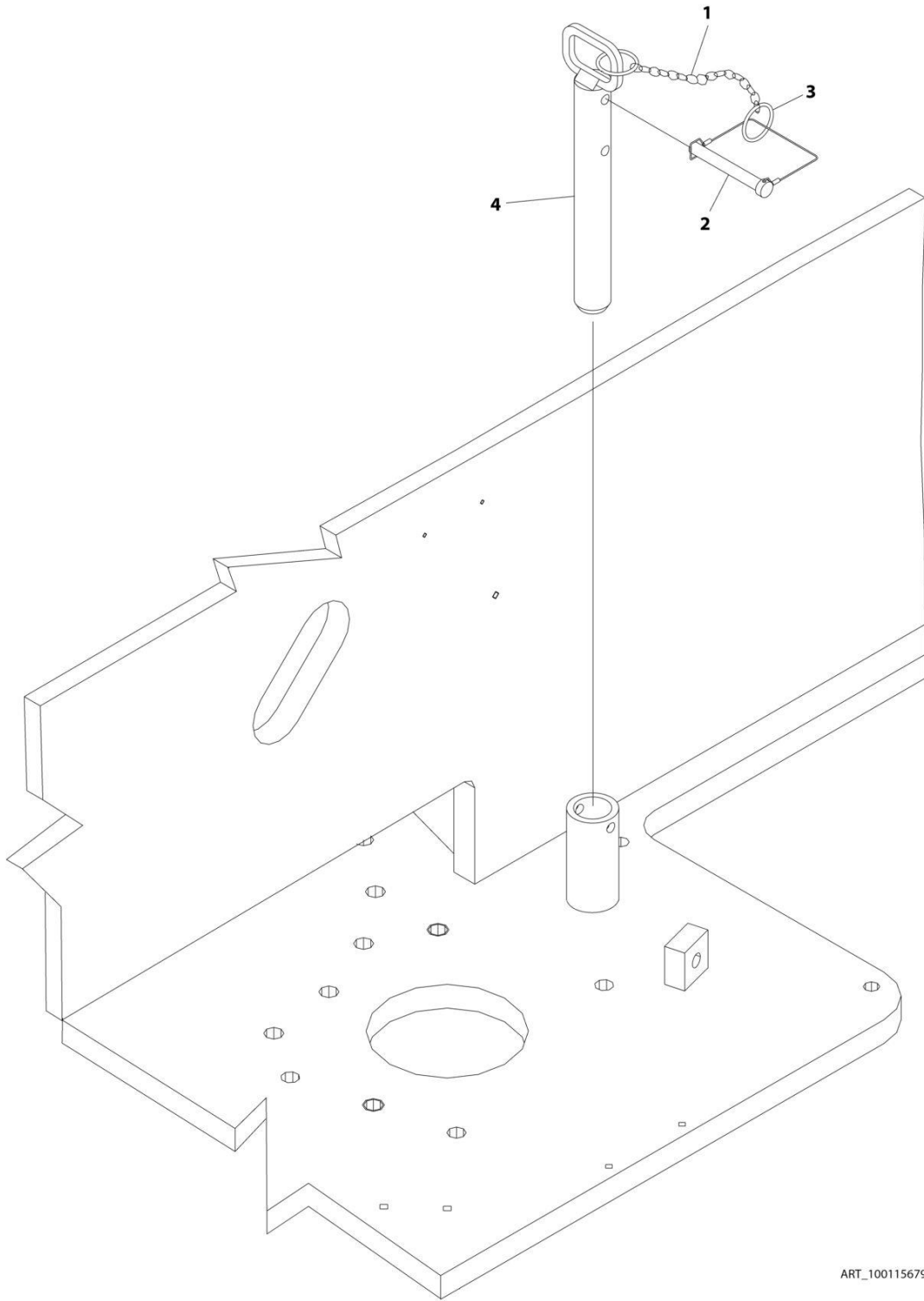
SECTION 2 - TURNTABLE

FIGURE 2-5. TURNTABLE BEARING INSTALLATION

| ITEM | PART NUMBER | QTY | DESCRIPTION | REV |
|------|-------------|-----|---|-----|
| | 1001157049 | Ref | TURNTABLE BEARING AND LUBE INSTALLATION | B |
| 1 | 0100011 | AR | Compound, Locking | |
| 2 | 0100019 | AR | Compound, Locking | |
| 3 | 0440244 | 1 | Bearing, Turntable | |
| 4 | 0682023 | 24 | Bolt 5/8 x 2-7/8 Grade 8 | |
| 5 | 0682032 | 24 | Bolt 5/8 x 4 Grade 8 | |
| 6 | 3020029 | AR | Lubricant | |
| 7 | 4892000 | 48 | Washer 5/8 | |
| 8 | 1001157058 | 1 | Hose | |
| 15 | 2915094 | 1 | Turntable Bearing Kit | |

SECTION 2 - TURNTABLE

FIGURE 2-6. TURNTABLE LOCK INSTALLATION



ART_1001156798

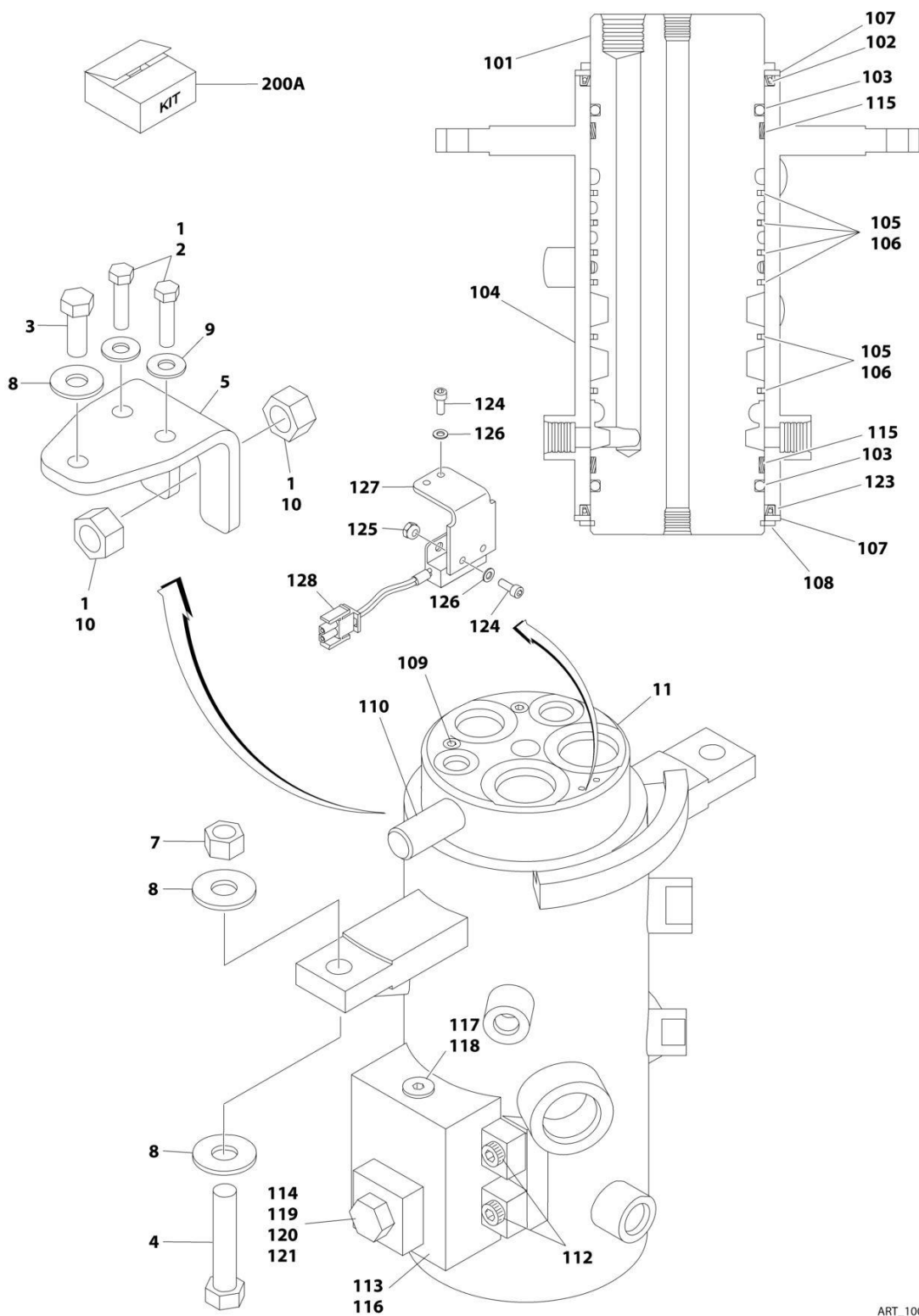
SECTION 2 - TURNTABLE

FIGURE 2-6. TURNTABLE LOCK INSTALLATION

| ITEM | PART NUMBER | QTY | DESCRIPTION | REV |
|------|-------------|-----------|-----------------------------|-----|
| | 1001156798 | Ref | TURNTABLE LOCK INSTALLATION | A |
| 1 | 1260017 | 9 in/23cm | Chain | |
| 2 | 3421565 | 1 | Pin, Snap | |
| 3 | 3760170 | 2 | Ring, Quick Release | |
| 4 | 4844958 | 1 | Pin | |

SECTION 2 - TURNTABLE

FIGURE 2-7. ROTARY COUPLING INSTALLATION - 2WS MACHINES



ART_1001107529

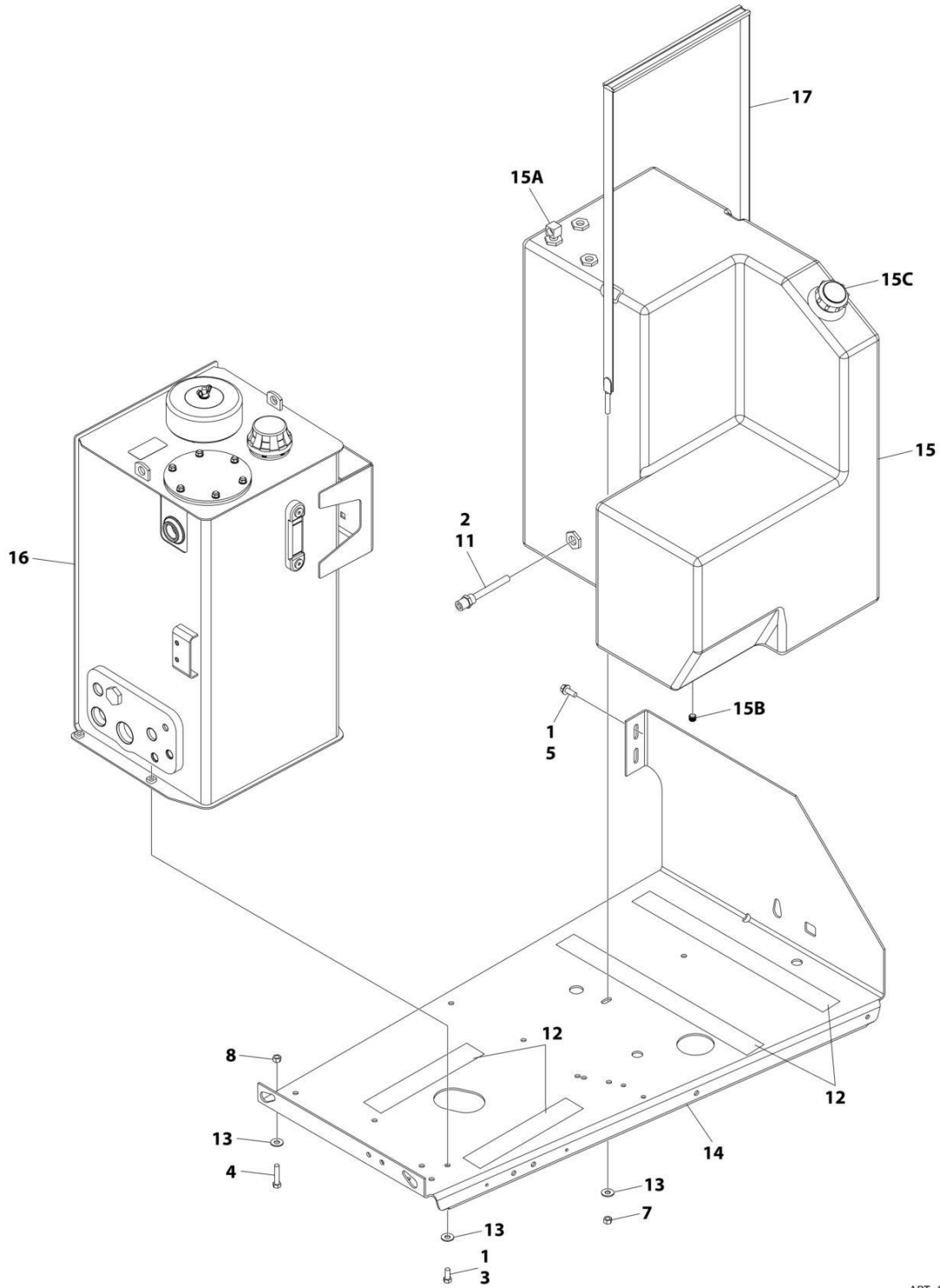
SECTION 2 - TURNTABLE

FIGURE 2-7. ROTARY COUPLING INSTALLATION - 2WS MACHINES

| ITEM | PART NUMBER | QTY | DESCRIPTION | REV |
|------|-------------|-----|---|-----|
| | 1001107529 | Ref | ROTARY COUPLING INSTALLATION | B |
| 1 | 0100011 | AR | Compound, Locking | |
| 2 | 0641611 | 2 | Bolt 3/8 x 1-3/8 | |
| 3 | 0641812 | 1 | Bolt 1/2 x 1-1/2 | |
| 4 | 0641820 | 2 | Bolt 1/2 x 2-1/2 | |
| 5 | 0903242 | 1 | Bracket | |
| 7 | 3271805 | 2 | Nut 1/2 | |
| 8 | 4751800 | 5 | Washer 1/2 | |
| 9 | 4891600 | 2 | Washer 3/8 | |
| 10 | 3322201 | 2 | Nut 3/4 | |
| 11 | 1001106974 | 1 | Coupling, Rotary Assembly (See Items 101-128 for Breakdown) | |
| | 1001106974 | Ref | ROTARY COUPLING ASSEMBLY | B |
| 101 | See Note | NSS | Body (Note: Not Available - Purchase Complete Assembly) | |
| 102 | See Note | NSS | Seal (Note: Use Item 200A) | |
| 103 | See Note | NSS | O-Ring (Note: Use Item 200A) | |
| 104 | See Note | NSS | Housing (Note: Not Available - Purchase Complete Assembly) | |
| 105 | See Note | NSS | Seal, Cap (Note: Use Item 200A) | |
| 106 | See Note | NSS | O-Ring (Note: Use Item 200A) | |
| 107 | 7026503 | 2 | Ring | |
| 108 | 7026504 | 1 | Ring, Retaining | |
| 109 | 80934561 | AR | Plug | |
| 110 | See Note | NSS | Lug, Torque (Note: Not Available for Purchase) | |
| 112 | 7026197 | 4 | Bolt 5/16 x 1-1/4 | |
| 113 | See Note | NSS | O-Ring (Note: Use Item 200A) | |
| 114 | See Note | NSS | O-Ring (Note: Use Item 200A) | |
| 115 | See Note | NSS | Bearing (Note: Use Item 200A) | |
| 116 | 7024404 | 1 | Block Valve Assembly | |
| 117 | 7026505 | 1 | Plug | |
| 118 | 7026506 | 1 | Valve, Check | |
| 119 | 7026507 | 1 | Plug | |
| 120 | See Note | NSS | Plunger, Valve (Note: Use p/n 7024404) | |
| 121 | 7026509 | 1 | Spring, Compression | |
| 123 | See Note | NSS | Seal (Note: Use Item 200A) | |
| 124 | See Note | NSS | Capscrew #10 x 1/2 (Note: Not Available for Purchase) | |
| 125 | See Note | NSS | Nut #10 (Note: Not Available for Purchase) | |
| 126 | See Note | NSS | Flatwasher #10 (Note: Not Available for Purchase) | |
| 127 | 70003454 | 1 | Bracket, Switch Mounting | |
| 128 | 4360517 | 1 | Switch, Proximity | |
| 200A | 70001248 | 1 | Seal Kit (Includes Items 102, 103, 105, 106, 113, 114, 115 & 123) | |

SECTION 2 - TURNTABLE

FIGURE 2-8. TANK INSTALLATION - DIESEL MACHINE (FUEL TANK WITHOUT SIGHT GLASS)



ART_1001178174

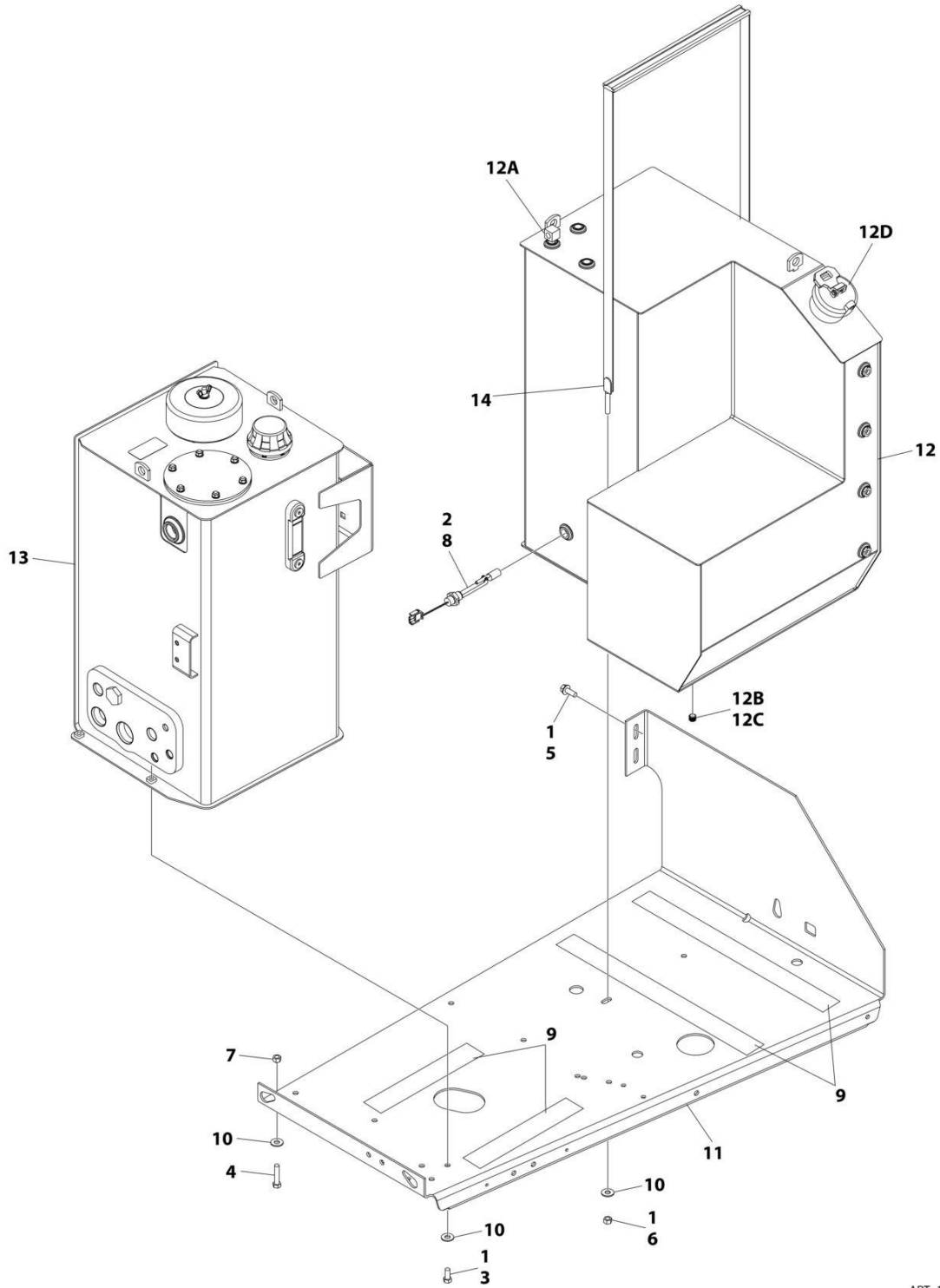
SECTION 2 - TURNTABLE

FIGURE 2-8. TANK INSTALLATION - DIESEL MACHINE (FUEL TANK WITHOUT SIGHT GLASS)

| ITEM | PART NUMBER | QTY | DESCRIPTION | REV |
|------|-------------|-----------------|--|-----|
| | 1001178174 | Ref | TANK INSTALLATION | D |
| 1 | 0100011 | AR | Compound, Locking | |
| 2 | 1001182997 | AR | Adhesive | |
| 3 | 0641607 | 4 | Bolt 3/8 x 7/8 | |
| 4 | 0641614 | 2 | Bolt 3/8 x 1-3/4 | |
| 5 | 0811608 | 2 | Bolt 3/8 x 1 | |
| 7 | 3311601 | 2 | Nut 3/8 | |
| 8 | 3311605 | 2 | Nut 3/8 | |
| 11 | 4360436 | 1 | Switch, Fuel Level | |
| 12 | 4420038 | 73 in /1.85m | Tape, Rubber | |
| 13 | 4751600 | 8 | Washer 3/8 | |
| 14 | 1001156190 | 1 | Tray | |
| 15 | 1001173897 | 1 | Tank, Fuel (Includes Non-Locking Cap) (Diesel Machines) | |
| 15A | 70004148 | 1 | Fitting and Pick-up Tube (Diesel Machines) | |
| 15B | 2200222 | 1 | Fitting (Diesel Machines Only) | |
| 15B | 0100020 | AR | Sealant | |
| 15C | 7016314 | 1 | Cap | |
| 16 | 1001178057 | 1 | Hydraulic Tank Assembly (See Separate Breakdown in this Section) | |
| 17 | 1001231888 | 1 | Strap Assembly (Includes Strap & Protective Strip) | |
| 17 | 4240113 | 1 | Strap, Tank | |

SECTION 2 - TURNTABLE

FIGURE 2-9. TANK INSTALLATION - DIESEL MACHINE (FUEL TANK WITH SIGHT GLASS)



ART_1001250643

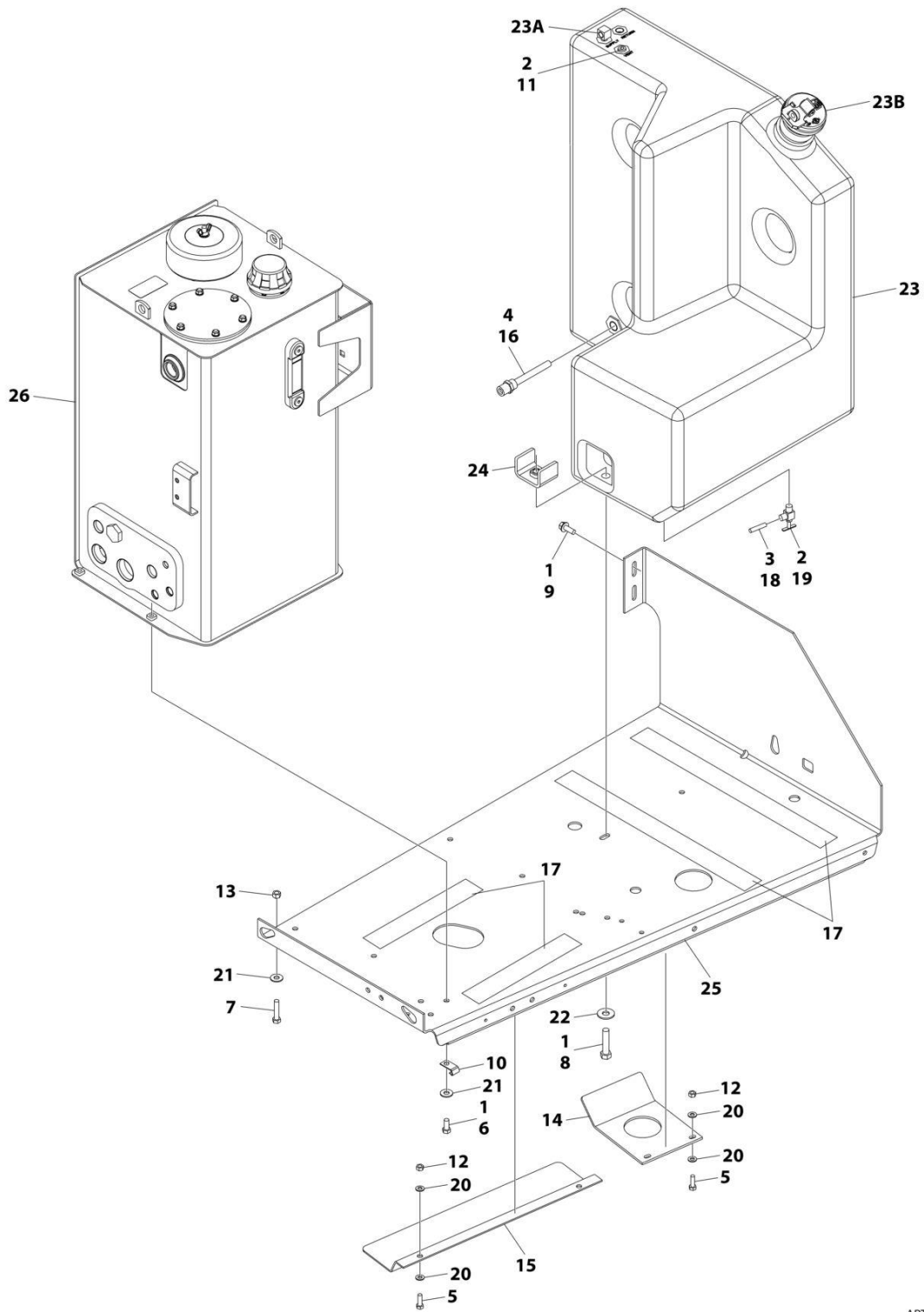
SECTION 2 - TURNTABLE

FIGURE 2-9. TANK INSTALLATION - DIESEL MACHINE (FUEL TANK WITH SIGHT GLASS)

| ITEM | PART NUMBER | QTY | DESCRIPTION | REV |
|------|-------------|-----------------|--|-----|
| | 1001250643 | Ref | TANK INSTALLATION | A |
| 1 | 0100011 | AR | Compound, Locking | |
| 2 | 1001182997 | AR | Adhesive | |
| 3 | 0641607 | 4 | Bolt 3/8 x 7/8 | |
| 4 | 0641614 | 2 | Bolt 3/8 x 1-3/4 | |
| 5 | 0811608 | 2 | Bolt 3/8 x 1 | |
| 6 | 3311601 | 2 | Nut 3/8 | |
| 7 | 3311605 | 2 | Nut 3/8 | |
| 8 | 4360436 | 1 | Switch, Fuel Level | |
| 9 | 4420038 | 73 in /1.85m | Tape, Rubber | |
| 10 | 4751600 | 8 | Washer 3/8 | |
| 11 | 1001156190 | 1 | Tray | |
| 12 | 1001173897 | 1 | Tank, Fuel (Includes Non-Locking Cap) (Diesel Machines) | |
| 12A | 70004148 | 1 | Fitting and Pick-up Tube (Diesel Machines) | |
| 12B | 2200222 | 1 | Fitting (Diesel Machines Only) | |
| 12C | 0100020 | AR | Sealant | |
| 12D | 7016314 | 1 | Cap | |
| 13 | 1001178057 | 1 | Hydraulic Tank Assembly (See Separate Breakdown in this Section) | |
| 14 | 1001231888 | 1 | Strap Assembly (Includes Strap & Protective Strip) | |
| 14 | 4240113 | 1 | Strap, Tank | |

SECTION 2 - TURNTABLE

FIGURE 2-10. TANK INSTALLATION - GAS ENGINES



ART_1001178175

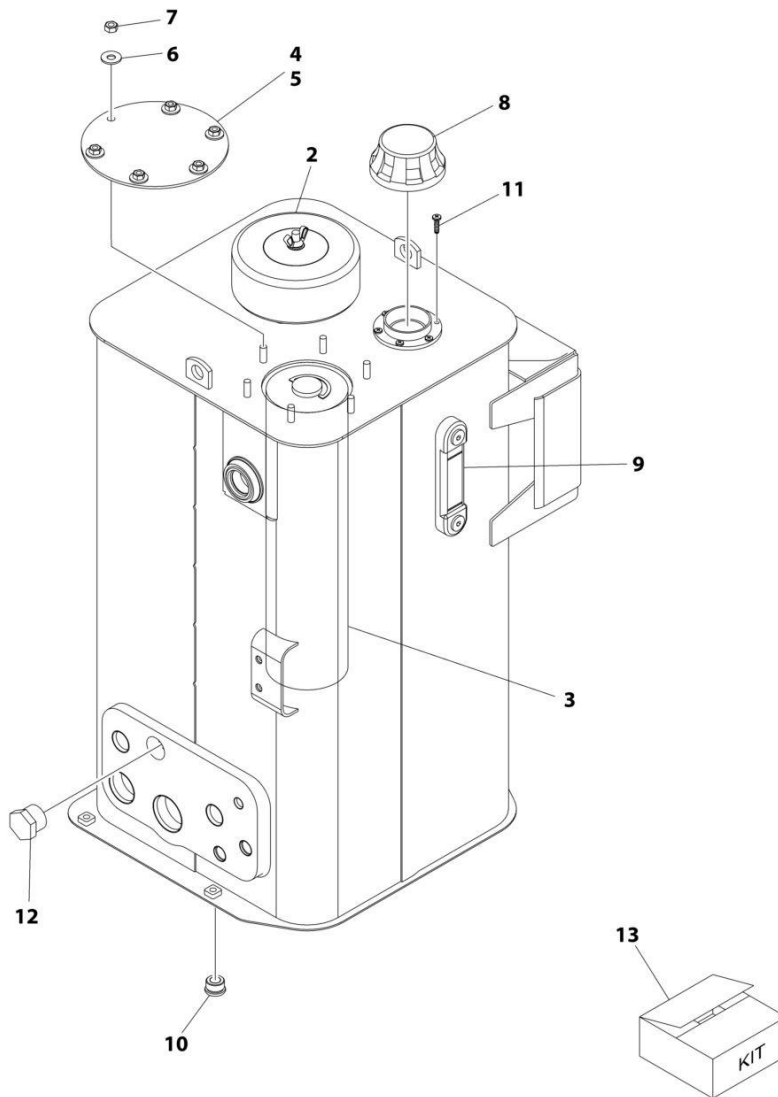
SECTION 2 - TURNTABLE

FIGURE 2-10. TANK INSTALLATION - GAS ENGINES

| ITEM | PART NUMBER | QTY | DESCRIPTION | REV |
|------|-------------|-----------------|--|-----|
| | 1001178175 | Ref | TANK INSTALLATION | B |
| 1 | 0100011 | AR | Compound, Locking | |
| 2 | 0100020 | AR | Sealant, Pipe | |
| 3 | 0100062 | AR | Compound, Locking | |
| 4 | 1001182997 | AR | Adhesive | |
| 5 | 0641508 | 4 | Bolt 5/16 x 1 | |
| 6 | 0641607 | 4 | Bolt 3/8 x 7/8 | |
| 7 | 0641614 | 2 | Bolt 3/8 x 1-3/4 | |
| 8 | 0641818 | 2 | Bolt 1/2 x 2-1/4 | |
| 9 | 0811608 | 2 | Bolt 3/8 x 1 | |
| 10 | 1320223 | 1 | Clamp | |
| 11 | 2200233 | 1 | Plug | |
| 12 | 3311505 | 4 | Nut 5/16 | |
| 13 | 3311605 | 2 | Nut 3/8 | |
| 14 | 3572423 | 1 | Plate, Valve Needle | |
| 15 | 3576755 | 1 | Cover, Fuel Pump | |
| 16 | 4360436 | 1 | Switch, Fuel Level | |
| 17 | 4420038 | 45 in /1.14m | Tape, Rubber (Gas Machines) | |
| 18 | 4568119 | 1 | Tube, Fuel | |
| 19 | 4641022 | 1 | Valve, Needle | |
| 20 | 4711500 | 8 | Washer 5/16 | |
| 21 | 4751600 | 2 | Washer 3/8 | |
| 22 | 4751800 | 2 | Washer 1/2 | |
| 23 | 1001111514 | 1 | Tank, Fuel (Includes Non-Locking Cap) (Gas Machines) | |
| 23A | 70004149 | 1 | Fitting and Pick-up Tube (Gas Machines) | |
| 23B | 70002715 | 1 | Cap | |
| 23B | 70002716 | 1 | Adapter, Cap | |
| 24 | 1001118133 | 2 | Bracket | |
| 25 | 1001156190 | 1 | Tray | |
| 26 | 1001178057 | 1 | Hydraulic Tank Assembly (See Separate Breakdown in this Section) | |

SECTION 2 - TURNTABLE

FIGURE 2-11. HYDRAULIC TANK ASSEMBLY



ART_1001178057

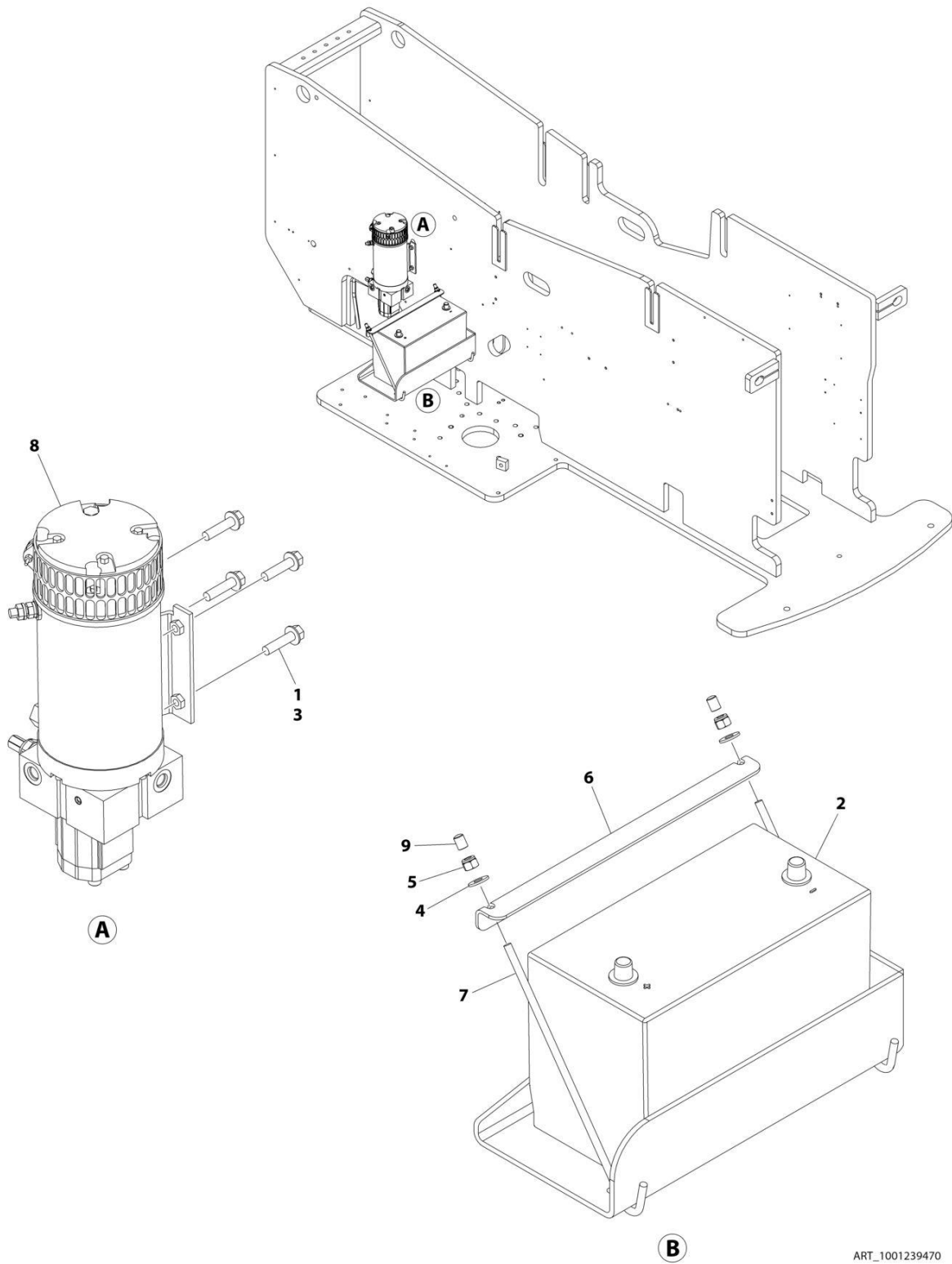
SECTION 2 - TURNTABLE

FIGURE 2-11. HYDRAULIC TANK ASSEMBLY

| ITEM | PART NUMBER | QTY | DESCRIPTION | REV |
|------|-------------|-----|--|-----|
| | 1001178057 | Ref | HYDRAULIC TANK ASSEMBLY | D |
| 2 | 70005708 | 1 | Breather Assembly (Includes Breather, Element and Wingnut) | |
| 2 | See Note | NSS | Element, Breather (Note: Use p/n 70005708 or Item 13) | |
| 3 | See Note | NSS | Element, Hydraulic (Note: Use Item 13) | |
| 4 | 70002839 | 1 | Gasket | |
| 5 | See Note | NSS | Cover (Note: Not Available for Purchase) | |
| 6 | 83304173 | 6 | Washer 5/16 | |
| 7 | 70004199 | 6 | Nut 5/16 | |
| 8 | 70002838 | 1 | Cap, Fill | |
| 9 | 7024441 | 1 | Gauge, Level | |
| 10 | 70002112 | 1 | Plug | |
| 11 | 70004795 | 6 | Screw #10 x 3/4 | |
| 12 | See Note | NSS | Plug (Note: Not Available - Purchase Locally) | |
| 13 | 70002814 | 1 | Hydraulic Tank Service Kit (Includes Items 2-4) | |

SECTION 2 - TURNTABLE

FIGURE 2-12. AUXILIARY POWER INSTALLATION - WITHOUT BATTERY DISCONNECT



ART_1001239470

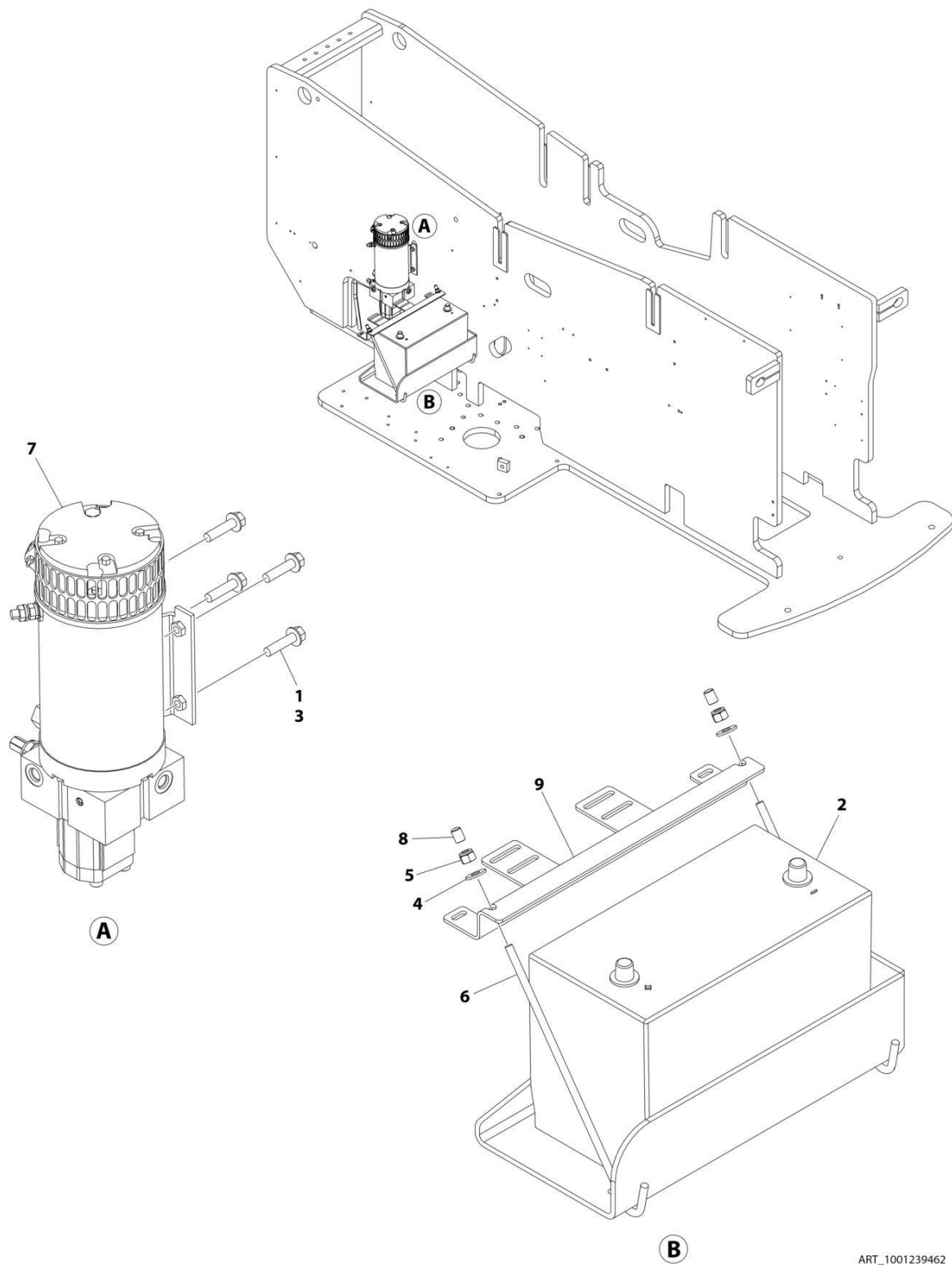
SECTION 2 - TURNTABLE

FIGURE 2-12. AUXILIARY POWER INSTALLATION - WITHOUT BATTERY DISCONNECT

| ITEM | PART NUMBER | QTY | DESCRIPTION | REV |
|------|-------------|-----|---|-----|
| | 1001239470 | Ref | AUXILIARY POWER INSTALLATION | A |
| 1 | 0100011 | AR | Compound, Locking | |
| 2 | 0400075 | 1 | Battery | |
| 3 | 0811612 | 4 | Screw 3/8 x 1-1/2 | |
| 4 | 4751500 | 2 | Washer 5/16 | |
| 5 | 88521205 | 2 | Nut 5/16 | |
| 6 | 91401281 | 1 | Bracket, Battery Hold Down | |
| 7 | 1001093382 | 2 | J - Bolt | |
| 8 | 1001137460 | 1 | Auxillary Power Pump/ Motor Assembly (See Separate Breakdown in this Section) | |
| 9 | 1001218572 | 2 | Cap | |

SECTION 2 - TURNTABLE

FIGURE 2-13. AUXILIARY POWER INSTALLATION - WITH BATTERY DISCONNECT



ART_1001239462

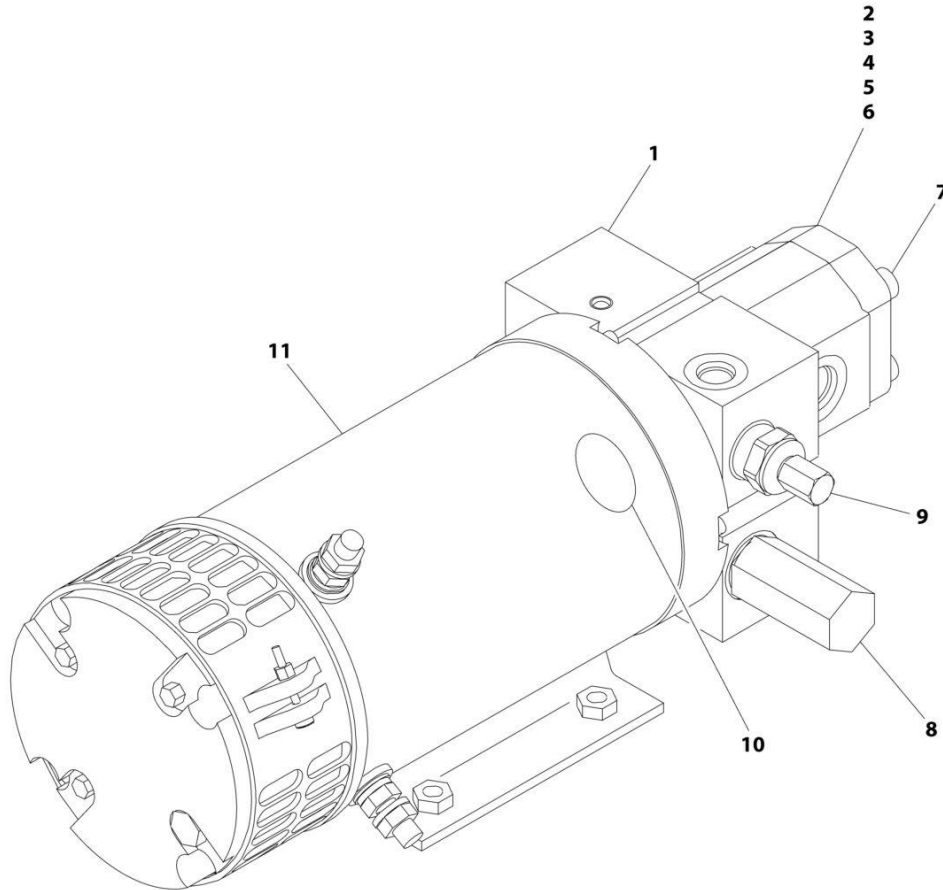
SECTION 2 - TURNTABLE

FIGURE 2-13. AUXILIARY POWER INSTALLATION - WITH BATTERY DISCONNECT

| ITEM | PART NUMBER | QTY | DESCRIPTION | REV |
|------|-------------|-----|--|-----|
| | 1001239462 | Ref | AUXILIARY POWER INSTALLATION | A |
| 1 | 0100011 | AR | Compound, Locking | |
| 2 | 0400075 | 1 | Battery | |
| 3 | 0811612 | 4 | Screw 3/8 x 1-1/2 | |
| 4 | 4751500 | 2 | Washer 5/16 | |
| 5 | 88521205 | 2 | Nut 5/16 | |
| 6 | 1001093382 | 2 | J - Bolt | |
| 7 | 1001137460 | 1 | Auxiliary Power Pump/Motor Assembly (See Separate Breakdown in this Section) | |
| 8 | 1001218572 | 2 | Cap | |
| 9 | 1001236303 | 1 | Bracket, Battery Hold Down | |

SECTION 2 - TURNTABLE

FIGURE 2-14. AUXILIARY POWER PUMP/MOTOR ASSEMBLY



ART_1001137460

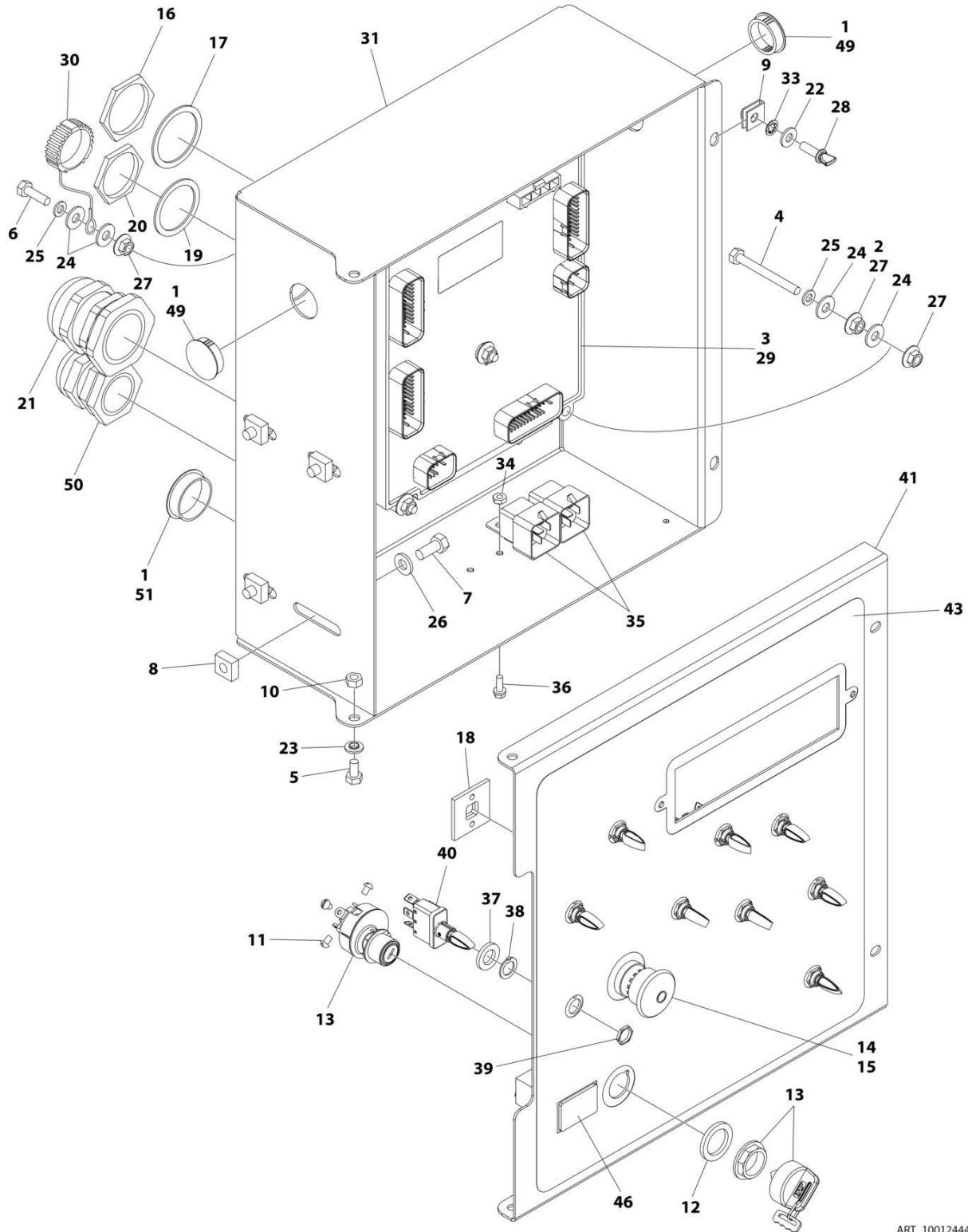
SECTION 2 - TURNTABLE

FIGURE 2-14. AUXILIARY POWER PUMP/MOTOR ASSEMBLY

| ITEM | PART NUMBER | QTY | DESCRIPTION | REV |
|------|-------------|-----|--|-----|
| | 1001137460 | Ref | AUXILIARY PUMP ASSEMBLY | A |
| 1 | 70004125 | 1 | Base Assembly | |
| 1 | 70003993 | 1 | Seal, Shaft | |
| 2 | See Note | NSS | Pin, Dowel (Note: Use Item 1) | |
| 3 | See Note | NSS | O-Ring (Note: Use Item 1) | |
| 4 | See Note | NSS | Pump (Note: Use Item 1) | |
| 5 | See Note | NSS | O-Ring (Note: Use Item 1) | |
| 6 | See Note | NSS | Cover, Rear (Note: Use Item 1) | |
| 7 | See Note | NSS | Screw (Note: Use Item 1) | |
| 8 | 70003989 | 1 | Valve, Logic | |
| 9 | See Note | 1 | Valve, Relief (Note: Use Item 1) | |
| 10 | See Note | 1 | Shaft, Intermediate (Note: Use Item 1) | |
| 11 | 70003992 | 1 | Motor | |

SECTION 2 - TURNTABLE

FIGURE 2-15. GROUND CONTROL BOX ASSEMBLY - WITH DEUTZ D2011 ENGINES (ANSI EXPORT LRC AND AUSTRALIAN SPECS)



ART_1001244486

SECTION 2 - TURNTABLE

FIGURE 2-15. GROUND CONTROL BOX ASSEMBLY - WITH DEUTZ D2011 ENGINES (ANSI EXPORT LRC AND AUSTRALIAN SPECS)

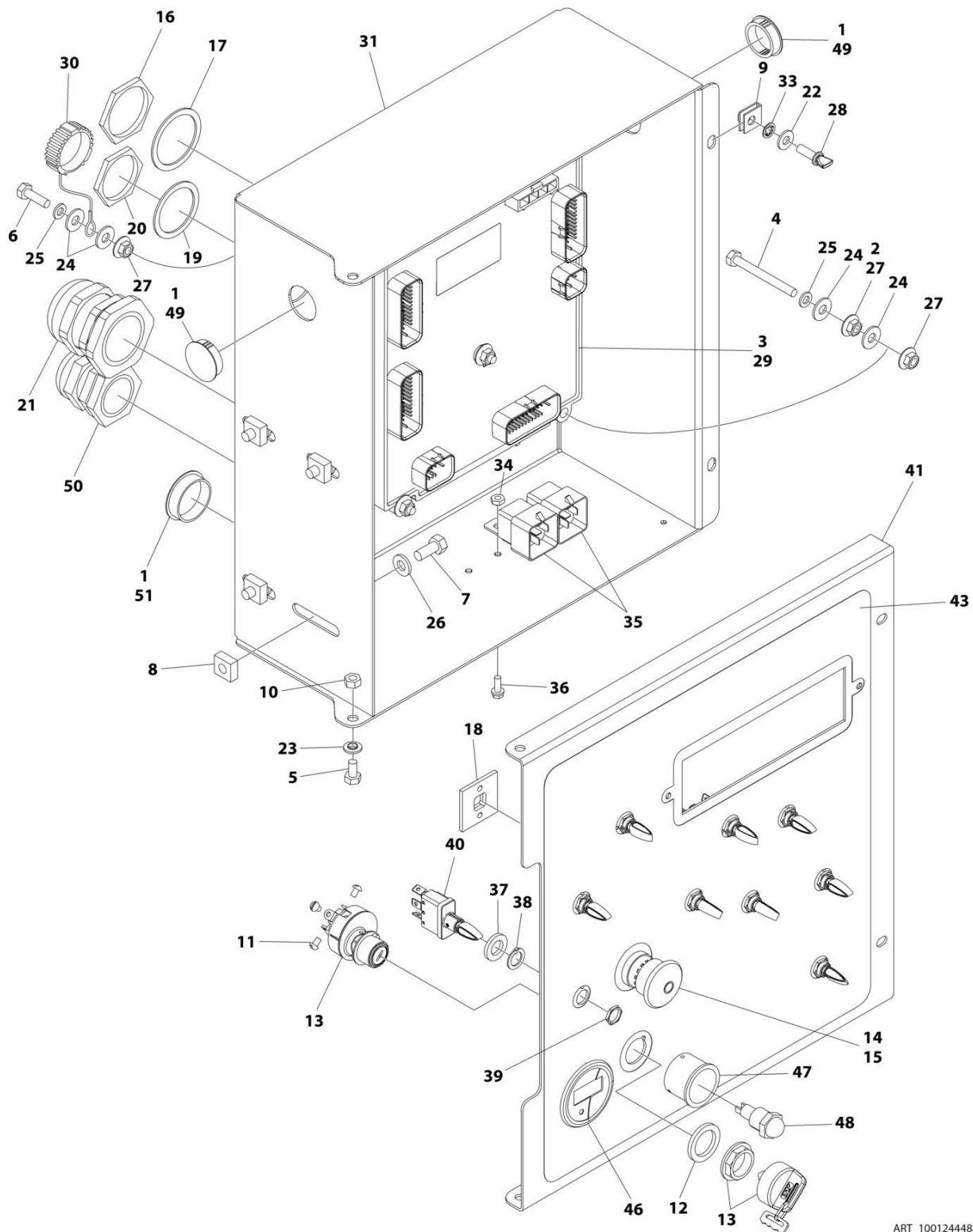
| ITEM | PART NUMBER | QTY | DESCRIPTION | REV |
|------|-------------|-------|---|-----|
| | 1001244486 | Ref | GROUND CONTROL BOX ASSEMBLY | B |
| 1 | 0100009 | AR | Sealant | |
| 2 | 0100011 | AR | Compound, Locking | |
| 3 | 0100048 | AR | Grease, Dielectric | |
| 4 | 0630548 | 5 | Bolt 2-1/2 | |
| 5 | 0641404 | 2 | Bolt 1/4 x 1/2 | |
| 6 | 0641407 | 1 | Bolt 1/4 x 7/8 | |
| 7 | 0641506 | 4 | Bolt 5/16 x 3/4 | |
| 8 | 3300205 | 4 | Nut, Retainer | |
| 9 | 3300353 | 2 | Nut, Tinnerman | |
| 10 | 3311405 | 2 | Nut 1/4 | |
| 11 | 3910804 | 6 | Screw #8 x 1/4 | |
| 12 | 4070991 | 1 | Shim | |
| 13 | 4360469 | 1 | Switch, Key | |
| 13 | 2860030 | 1 Set | Key Replacement | |
| 14 | 4360475 | 1 | Switch, Emergency Stop | |
| 14 | 7020175 | 1 | Cap, Mushroom | |
| 14 | 7020176 | 1 | Block, Contact | |
| 15 | 4360476 | 1 | Switch, Contact Block | |
| 16 | 4460470 | 1 | Nut, Terminal | |
| 17 | 4460471 | 1 | Lockwasher, Terminal | |
| 18 | 4460488 | 6 | Mounting Base, Terminal | |
| 19 | 4460496 | 1 | Washer, Terminal | |
| 20 | 4460497 | 1 | Nut, Terminal | |
| 21 | 4460526 | 1 | Connector, Strain Relief | |
| 22 | 4711400 | 2 | Washer 1/4 | |
| 23 | 4740518 | 2 | Washer | |
| 24 | 4751400 | 12 | Washer 1/4 | |
| 25 | 4761400 | 6 | Washer 1/4 | |
| 26 | 4891500 | 4 | Washer 5/16 | |
| 27 | 77143013 | 11 | Nut 1/4 | |
| 28 | 1001103308 | 2 | Thumbscrew 1/4 x 3/4 | |
| 29 | 1001103667 | 1 | Module, Ground Control (Note: Recalibration Required When Replaced) | |
| 30 | 1001106736 | 1 | Cap, Dust | |
| 31 | 1001152175 | 1 | Box | |
| 32 | 1001170808 | 1 | Harness, Valve (Not Shown - See Separate Breakdown in ELECTRICAL SECTION) | |
| 33 | 1001188874 | 2 | Nut | |
| 34 | 3300408 | 2 | Nut, Nylon Insert | |
| 35 | 3740049 | 2 | Relay | |
| 36 | 3900268 | 2 | Screw #10x1/2 | |
| 37 | 4740397 | 9 | Spacer | |
| 38 | 1001155043 | 9 | Washer | |
| 39 | 1001155044 | 9 | Nut 15/32 | |
| 40 | 1001155045 | 9 | Switch, Toggle | |
| 41 | 1001152173 | 1 | Lid | |
| 42 | 1001243263 | 1 | Ground Control Box Harness (Not Shown - See Separate Breakdown in ELECTRICAL SECTION) | |

SECTION 2 - TURNTABLE

| ITEM | PART NUMBER | QTY | DESCRIPTION | REV |
|------|-------------|-----|---|-----|
| 43 | 1001243568 | 1 | Decal - Ground Control Box | |
| 44 | 1001153713 | 1 | Engine Harness (Not Shown - See Separate Breakdown in ELECTRICAL SECTION) | |
| 45 | 1001173590 | 1 | Fuse Assembly (Not Shown) | |
| 45 | 2400065 | 1 | Fuse 30Amp | |
| 45 | 2400066 | 1 | Fuseholder | |
| 46 | 2420172 | 1 | Hourmeter | |
| 49 | 3520031 | 2 | Plug | |
| 50 | 4460426 | 1 | Connector, Strain Relief | |
| 51 | 3520035 | 1 | Plug | |

SECTION 2 - TURNTABLE

FIGURE 2-16. GROUND CONTROL BOX ASSEMBLY - WITH DEUTZ D2011 ENGINES (CE LRC SPECS)



ART_1001244488

SECTION 2 - TURNTABLE

FIGURE 2-16. GROUND CONTROL BOX ASSEMBLY - WITH DEUTZ D2011 ENGINES (CE LRC SPECS)

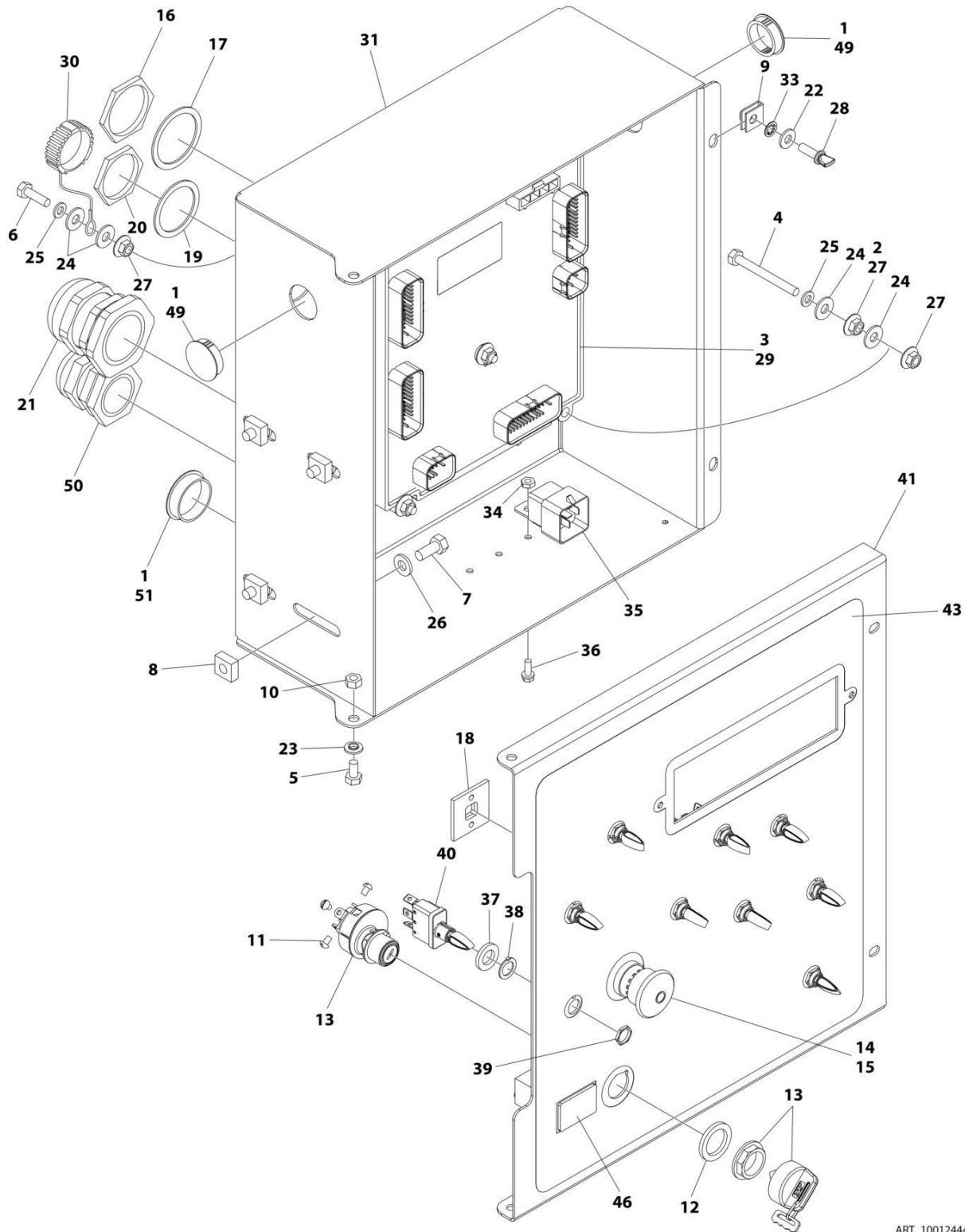
| ITEM | PART NUMBER | QTY | DESCRIPTION | REV |
|------|-------------|-------|---|-----|
| | 1001244488 | Ref | GROUND CONTROL BOX ASSEMBLY | B |
| 1 | 0100009 | AR | Sealant | |
| 2 | 0100011 | AR | Compound, Locking | |
| 3 | 0100048 | AR | Grease, Dielectric | |
| 4 | 0630548 | 5 | Bolt 2-1/2 | |
| 5 | 0641404 | 2 | Bolt 1/4 x 1/2 | |
| 6 | 0641407 | 1 | Bolt 1/4 x 7/8 | |
| 7 | 0641506 | 4 | Bolt 5/16 x 3/4 | |
| 8 | 3300205 | 4 | Nut, Retainer | |
| 9 | 3300353 | 2 | Nut, Tinnerman | |
| 10 | 3311405 | 2 | Nut 1/4 | |
| 11 | 3910804 | 6 | Screw #8 x 1/4 | |
| 12 | 4070991 | 1 | Shim | |
| 13 | 4360469 | 1 | Switch, Key | |
| 13 | 2860030 | 1 Set | Key Replacement | |
| 14 | 4360475 | 1 | Switch, Emergency Stop | |
| 14 | 7020175 | 1 | Cap, Mushroom | |
| 14 | 7020176 | 1 | Block, Contact | |
| 15 | 4360476 | 1 | Switch, Contact Block | |
| 16 | 4460470 | 1 | Nut, Terminal | |
| 17 | 4460471 | 1 | Lockwasher, Terminal | |
| 18 | 4460488 | 6 | Mounting Base, Terminal | |
| 19 | 4460496 | 1 | Washer, Terminal | |
| 20 | 4460497 | 1 | Nut, Terminal | |
| 21 | 4460526 | 1 | Connector, Strain Relief | |
| 22 | 4711400 | 2 | Washer 1/4 | |
| 23 | 4740518 | 2 | Washer | |
| 24 | 4751400 | 12 | Washer 1/4 | |
| 25 | 4761400 | 6 | Washer 1/4 | |
| 26 | 4891500 | 4 | Washer 5/16 | |
| 27 | 77143013 | 11 | Nut 1/4 | |
| 28 | 1001103308 | 2 | Thumbscrew 1/4 x 3/4 | |
| 29 | 1001103667 | 1 | Module, Ground Control (Note: Recalibration Required When Replaced) | |
| 30 | 1001106736 | 1 | Cap, Dust | |
| 31 | 1001152175 | 1 | Box | |
| 32 | 1001170808 | 1 | Harness, Valve (Not Shown - See Separate Breakdown in ELECTRICAL SECTION) | |
| 33 | 1001188874 | 2 | Nut | |
| 34 | 3300408 | 2 | Nut, Nylon Insert | |
| 35 | 3740049 | 2 | Relay | |
| 36 | 3900268 | 2 | Screw #10x1/2 | |
| 37 | 4740397 | 8 | Spacer | |
| 38 | 1001155043 | 8 | Washer | |
| 39 | 1001155044 | 8 | Nut 15/32 | |
| 40 | 1001155045 | 8 | Switch, Toggle | |
| 41 | 1001188042 | 1 | Lid | |
| 42 | 1001243263 | 1 | Ground Control Box Harness (Not Shown - See Separate Breakdown in ELECTRICAL SECTION) | |

SECTION 2 - TURNTABLE

| ITEM | PART NUMBER | QTY | DESCRIPTION | REV |
|------|-------------|-----|---|-----|
| 43 | 1001243567 | 1 | Decal - Ground Control Box | |
| 44 | 1001153713 | 1 | Engine Harness (Not Shown - See Separate Breakdown in ELECTRICAL SECTION) | |
| 45 | 1001173590 | 1 | Fuse Assembly (Not Shown) | |
| 45 | 2400065 | 1 | Fuse 30Amp | |
| 45 | 2400066 | 1 | Fuseholder | |
| 46 | 1001109503 | 1 | Hourmeter | |
| 47 | 1001176469 | 1 | Shroud | |
| 48 | 4360387 | 1 | Switch, Push Button | |
| 49 | 3520031 | 2 | Plug | |
| 50 | 4460426 | 1 | Connector, Strain Relief | |
| 51 | 3520035 | 1 | Plug | |

SECTION 2 - TURNTABLE

FIGURE 2-17. GROUND CONTROL BOX ASSEMBLY - WITH DEUTZ TD2.9L4 ENGINES (ANSI, ANSI EXPORT, CHINA & JAPANESE SPECS)



SECTION 2 - TURNTABLE

FIGURE 2-17. GROUND CONTROL BOX ASSEMBLY - WITH DEUTZ TD2.9L4 ENGINES (ANSI, ANSI EXPORT, CHINA & JAPANESE SPECS)

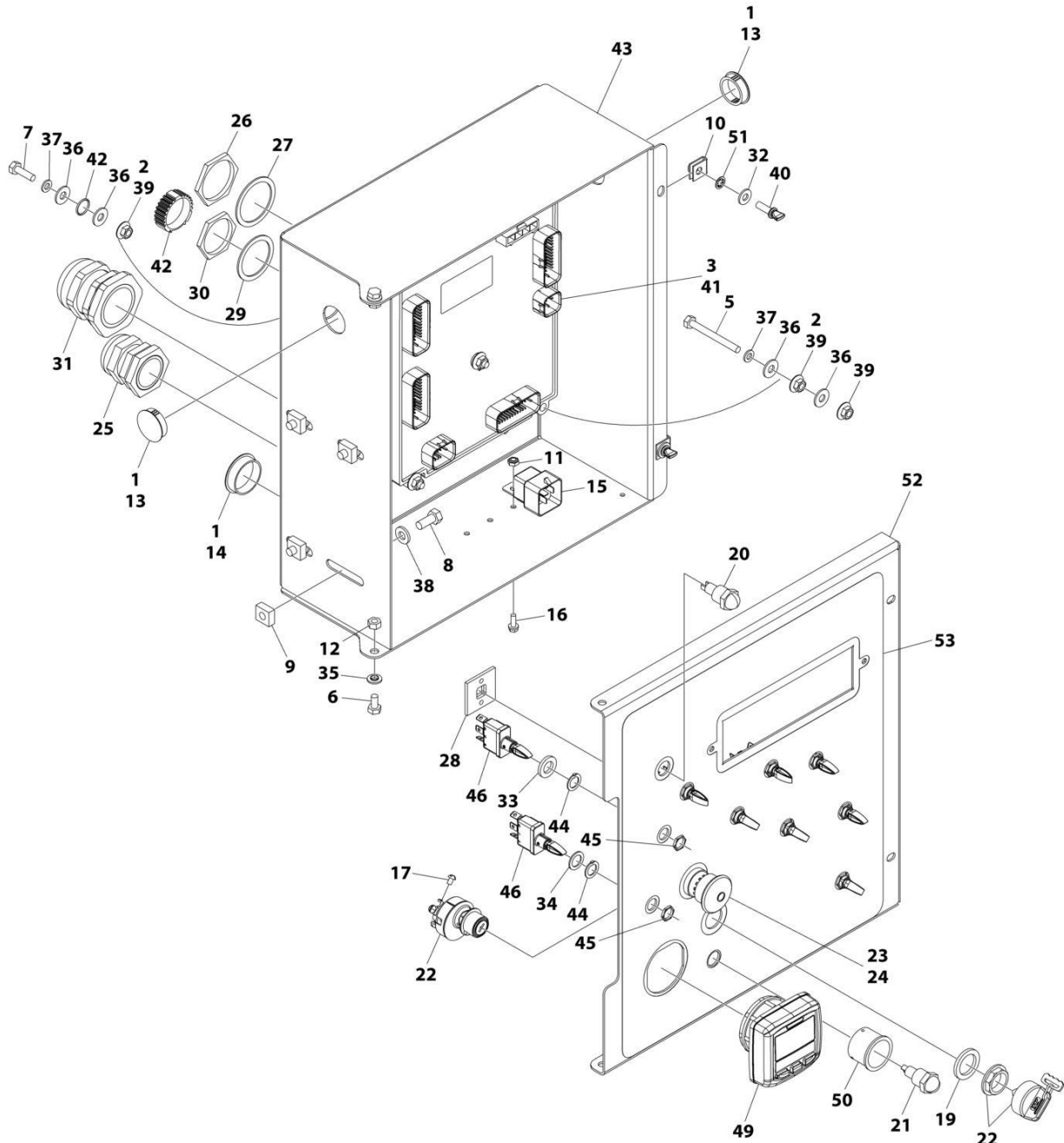
| ITEM | PART NUMBER | QTY | DESCRIPTION | REV |
|------|-------------|-------|---|-----|
| | 1001244482 | Ref | GROUND CONTROL BOX ASSEMBLY | B |
| 1 | 0100009 | AR | Sealant | |
| 2 | 0100011 | AR | Compound, Locking | |
| 3 | 0100048 | AR | Grease, Dielectric | |
| 4 | 0630548 | 5 | Bolt 2-1/2 | |
| 5 | 0641404 | 2 | Bolt 1/4 x 1/2 | |
| 6 | 0641407 | 1 | Bolt 1/4 x 7/8 | |
| 7 | 0641506 | 4 | Bolt 5/16 x 3/4 | |
| 8 | 3300205 | 4 | Nut, Retainer | |
| 9 | 3300353 | 2 | Nut, Tinnerman | |
| 10 | 3311405 | 2 | Nut 1/4 | |
| 11 | 3910804 | 6 | Screw #8 x 1/4 | |
| 12 | 4070991 | 1 | Shim | |
| 13 | 4360469 | 1 | Switch, Key | |
| 13 | 2860030 | 1 Set | Key Replacement | |
| 14 | 4360475 | 1 | Switch, Emergency Stop | |
| 14 | 7020175 | 1 | Cap, Mushroom | |
| 14 | 7020176 | 1 | Block, Contact | |
| 15 | 4360476 | 1 | Switch, Contact Block | |
| 16 | 4460470 | 1 | Nut, Terminal | |
| 17 | 4460471 | 1 | Lockwasher, Terminal | |
| 18 | 4460488 | 6 | Mounting Base, Terminal | |
| 19 | 4460496 | 1 | Washer, Terminal | |
| 20 | 4460497 | 1 | Nut, Terminal | |
| 21 | 4460526 | 1 | Connector, Strain Relief | |
| 22 | 4711400 | 2 | Washer 1/4 | |
| 23 | 4740518 | 2 | Washer | |
| 24 | 4751400 | 12 | Washer 1/4 | |
| 25 | 4761400 | 6 | Washer 1/4 | |
| 26 | 4891500 | 4 | Washer 5/16 | |
| 27 | 77143013 | 11 | Nut 1/4 | |
| 28 | 1001103308 | 2 | Thumbscrew 1/4 x 3/4 | |
| 29 | 1001103667 | 1 | Module, Ground Control (Note: Recalibration Required When Replaced) | |
| 30 | 1001106736 | 1 | Cap, Dust | |
| 31 | 1001152175 | 1 | Box | |
| 32 | 1001170808 | 1 | Control Valve Harness (Not Shown - See Separate Breakdown in ELECTRICAL SECTION) | |
| 33 | 1001188874 | 2 | Nut | |
| 34 | 3300408 | 1 | Nut, Nylon Insert | |
| 35 | 3740049 | 1 | Relay | |
| 36 | 3900268 | 1 | Screw #10x1/2 | |
| 37 | 4740397 | 9 | Spacer | |
| 38 | 1001155043 | 9 | Washer | |
| 39 | 1001155044 | 9 | Nut 15/32 | |
| 40 | 1001155045 | 9 | Switch, Toggle | |
| 41 | 1001152173 | 1 | Lid | |
| 42 | 1001243263 | 1 | Ground Control Box Harness (Not Shown - See Separate Breakdown in ELECTRICAL SECTION) | |

SECTION 2 - TURNTABLE

| ITEM | PART NUMBER | QTY | DESCRIPTION | REV |
|------|-------------|-----|---|-----|
| 43 | 1001243568 | 1 | Decal - Ground Control Box | |
| 44 | 1001165776 | 1 | Engine Harness (Not Shown - See Separate Breakdown in ELECTRICAL SECTION) | |
| 45 | 1001173590 | 1 | Fuse Assembly (Not Shown) | |
| 45 | 2400065 | 1 | Fuse 30Amp | |
| 45 | 2400066 | 1 | Fuseholder | |
| 46 | 2420172 | 1 | Hourmeter | |
| 49 | 3520031 | 2 | Plug | |
| 50 | 4460426 | 1 | Connector, Strain Relief | |
| 51 | 3520035 | 1 | Plug | |

SECTION 2 - TURNTABLE

FIGURE 2-18. GROUND CONTROL BOX ASSEMBLY - WITH DEUTZ TD2.9L4 (STAGE V) ENGINES (CE SPECS)



ART_1001237731

SECTION 2 - TURNTABLE

**FIGURE 2-18. GROUND CONTROL BOX ASSEMBLY - WITH DEUTZ TD2.9L4 (STAGE V) ENGINES
(CE SPECS)**

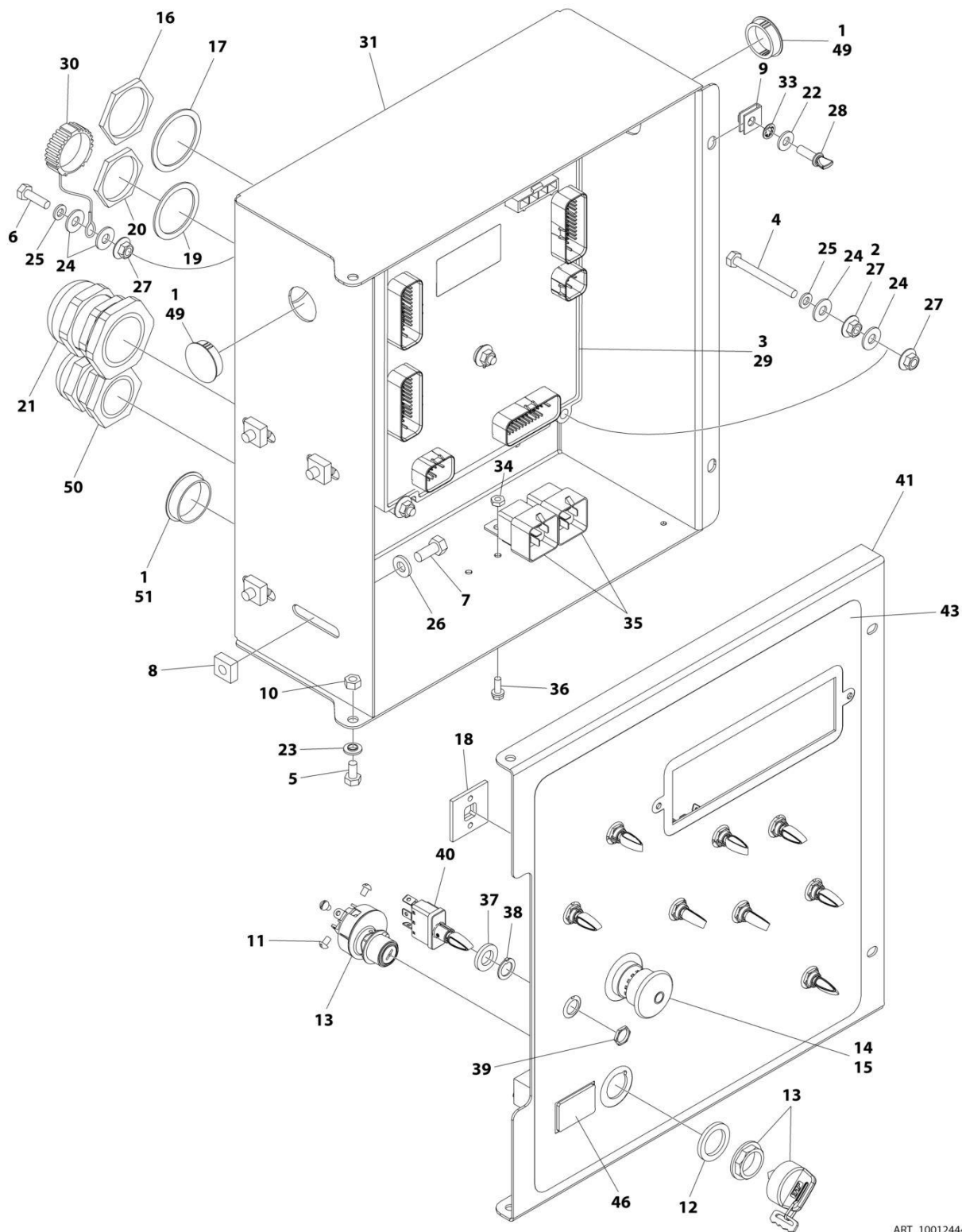
| ITEM | PART NUMBER | QTY | DESCRIPTION | REV |
|------|-------------|-------|---|-----|
| | 1001237731 | Ref | GROUND CONTROL BOX ASSEMBLY | D |
| 1 | 0100009 | AR | Sealant | |
| 2 | 0100011 | AR | Compound, Locking | |
| 3 | 0100048 | AR | Grease, Dielectric | |
| 5 | 0630548 | 5 | Bolt 2-1/2 | |
| 6 | 0641404 | 2 | Bolt 1/4 x 1/2 | |
| 7 | 0641407 | 1 | Bolt 1/4 x 7/8 | |
| 8 | 0641506 | 4 | Bolt 5/16 x 3/4 | |
| 9 | 3300205 | 4 | Nut, Retainer | |
| 10 | 3300353 | 2 | Nut, Tinnerman | |
| 11 | 3300408 | 1 | Nut, Nylon Insert | |
| 12 | 3311405 | 2 | Nut 1/4 | |
| 13 | 3520031 | 2 | Plug | |
| 14 | 3520035 | 1 | Plug | |
| 15 | 3740049 | 1 | Relay | |
| 16 | 3900268 | 1 | Screw #10 x 1/2 | |
| 17 | 3910804 | 6 | Screw #8 x 1/4 | |
| 19 | 4070991 | 1 | Shim | |
| 20 | 4360274 | 1 | Switch, Push Button | |
| 21 | 4360387 | 1 | Switch, Push Button | |
| 22 | 4360469 | 1 | Switch, Key | |
| 22 | 2860030 | 1 Set | Key Replacement | |
| 23 | 4360475 | 1 | Switch, Emergency Stop | |
| 23 | 7020175 | 1 | Cap, Mushroom | |
| 23 | 7020176 | 1 | Block, Contact | |
| 24 | 4360476 | 1 | Switch, Contact Block | |
| 25 | 4460426 | 1 | Connector, Strain Relief | |
| 26 | 4460470 | 1 | Nut, Terminal | |
| 27 | 4460471 | 1 | Lockwasher, Terminal | |
| 28 | 4460488 | 6 | Mounting Base, Terminal | |
| 29 | 4460496 | 1 | Washer, Terminal | |
| 30 | 4460497 | 1 | Nut, Terminal | |
| 31 | 4460526 | 1 | Connector, Strain Relief | |
| 32 | 4711400 | 2 | Washer 1/4 | |
| 33 | 4740397 | 8 | Spacer | |
| 34 | 4740444 | 1 | Washer | |
| 35 | 4740518 | 2 | Washer | |
| 36 | 4751400 | 12 | Washer 1/4 | |
| 37 | 4761400 | 6 | Washer 1/4 | |
| 38 | 4891500 | 4 | Washer 5/16 | |
| 39 | 77143013 | 11 | Nut 1/4 | |
| 40 | 1001103308 | 2 | Thumbscrew 1/4 x 3/4 | |
| 41 | 1001103667 | 1 | Module, Ground Control (Note: Recalibration Required When Replaced) | |
| 42 | 1001106736 | 1 | Cap, Dust | |
| 43 | 1001152175 | 1 | Box | |
| 44 | 1001155043 | 9 | Washer | |
| 45 | 1001155044 | 9 | Nut 15/32 | |
| 46 | 1001155045 | 9 | Switch, Toggle | |

SECTION 2 - TURNTABLE

| ITEM | PART NUMBER | QTY | DESCRIPTION | REV |
|------|-------------|-----|---|-----|
| 47 | 1001165776 | 1 | Engine Harness (Not Shown - See Separate Breakdown in ELECTRICAL SECTION) | |
| 48 | 1001170808 | 1 | Control Valve Harness (Not Shown - See Separate Breakdown in ELECTRICAL SECTION) | |
| 49 | 1001171482 | 1 | Gauge, Display | |
| 50 | 1001176469 | 1 | Shroud | |
| 51 | 1001188874 | 2 | Nut | |
| 52 | 1001237023 | 1 | Lid | |
| 53 | 1001237026 | 1 | Decal - Ground Control Box | |
| 54 | 1001243263 | 1 | Ground Control Box Harness (Not Shown - See Separate Breakdown in ELECTRICAL SECTION) | |

SECTION 2 - TURNTABLE

FIGURE 2-19. GROUND CONTROL BOX ASSEMBLY - WITH FORD ENGINES



ART_1001244493

SECTION 2 - TURNTABLE

FIGURE 2-19. GROUND CONTROL BOX ASSEMBLY - WITH FORD ENGINES

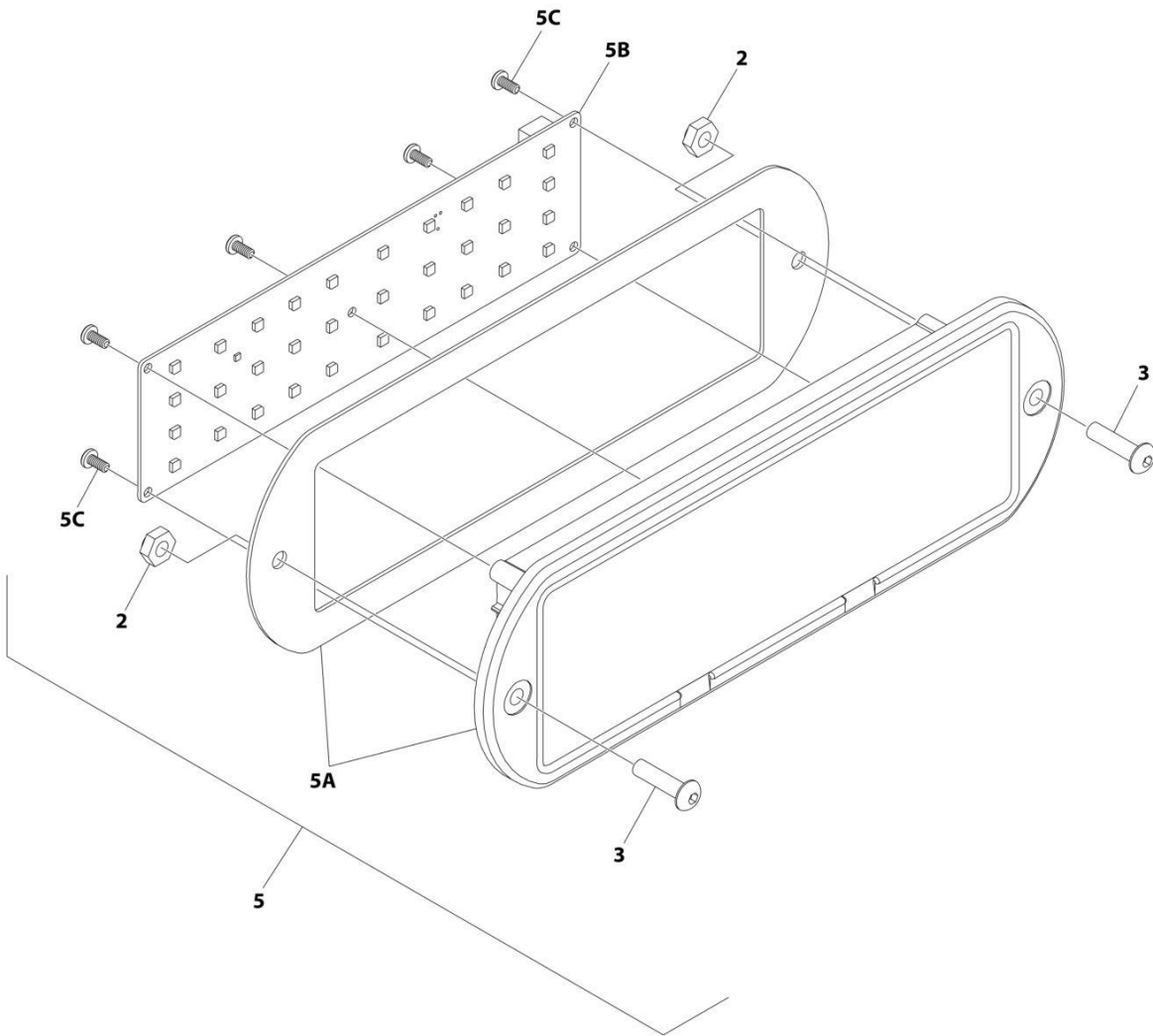
| ITEM | PART NUMBER | QTY | DESCRIPTION | REV |
|------|-------------|-------|---|-----|
| | 1001244493 | Ref | GROUND CONTROL BOX ASSEMBLY | B |
| 1 | 0100009 | AR | Sealant | |
| 2 | 0100011 | AR | Compound, Locking | |
| 3 | 0100048 | AR | Grease, Dielectric | |
| 4 | 0630548 | 5 | Bolt 2-1/2 | |
| 5 | 0641404 | 2 | Bolt 1/4 x 1/2 | |
| 6 | 0641407 | 1 | Bolt 1/4 x 7/8 | |
| 7 | 0641506 | 4 | Bolt 5/16 x 3/4 | |
| 8 | 3300205 | 4 | Nut, Retainer | |
| 9 | 3300353 | 2 | Nut, Tinnerman | |
| 10 | 3311405 | 2 | Nut 1/4 | |
| 11 | 3910804 | 6 | Screw #8 x 1/4 | |
| 12 | 4070991 | 1 | Shim | |
| 13 | 4360469 | 1 | Switch, Key | |
| 13 | 2860030 | 1 Set | Key Replacement | |
| 14 | 4360475 | 1 | Switch, Emergency Stop | |
| 14 | 7020175 | 1 | Cap, Mushroom | |
| 14 | 7020176 | 1 | Block, Contact | |
| 15 | 4360476 | 1 | Switch, Contact Block | |
| 16 | 4460470 | 1 | Nut, Terminal | |
| 17 | 4460471 | 1 | Lockwasher, Terminal | |
| 18 | 4460488 | 6 | Mounting Base, Terminal | |
| 19 | 4460496 | 1 | Washer, Terminal | |
| 20 | 4460497 | 1 | Nut, Terminal | |
| 21 | 4460526 | 1 | Connector, Strain Relief | |
| 22 | 4711400 | 2 | Washer 1/4 | |
| 23 | 4740518 | 2 | Washer | |
| 24 | 4751400 | 12 | Washer 1/4 | |
| 25 | 4761400 | 6 | Washer 1/4 | |
| 26 | 4891500 | 4 | Washer 5/16 | |
| 27 | 77143013 | 11 | Nut 1/4 | |
| 28 | 1001103308 | 2 | Thumbscrew 1/4 x 3/4 | |
| 29 | 1001103667 | 1 | Module, Ground Control (Note: Recalibration Required When Replaced) | |
| 30 | 1001106736 | 1 | Cap, Dust | |
| 31 | 1001152175 | 1 | Box | |
| 32 | 1001170808 | 1 | Control Valve Harness (Not Shown - See Separate Breakdown in ELECTRICAL SECTION) | |
| 33 | 1001188874 | 2 | Nut | |
| 34 | 3300408 | 2 | Nut, Nylon Insert | |
| 35 | 3740049 | 2 | Relay | |
| 36 | 3900268 | 2 | Screw #10x1/2 | |
| 37 | 4740397 | 9 | Spacer | |
| 38 | 1001155043 | 9 | Washer | |
| 39 | 1001155044 | 9 | Nut 15/32 | |
| 40 | 1001155045 | 9 | Switch, Toggle | |
| 41 | 1001152173 | 1 | Lid | |
| 42 | 1001243263 | 1 | Ground Control Box Harness (Not Shown - See Separate Breakdown in ELECTRICAL SECTION) | |
| 43 | 1001243568 | 1 | Decal - Ground Control Box | |

SECTION 2 - TURNTABLE

| ITEM | PART NUMBER | QTY | DESCRIPTION | REV |
|------|-------------|-----|---|-----|
| 44 | 1001216230 | 1 | Engine Harness (Not Shown - See Separate Breakdown in ELECTRICAL SECTION) | |
| 45 | 1001173590 | 1 | Fuse Assembly (Not Shown) | |
| 45 | 2400065 | 1 | Fuse 30Amp | |
| 45 | 2400066 | 1 | Fuseholder | |
| 46 | 2420172 | 1 | Hourmeter | |
| 49 | 3520031 | 2 | Plug | |
| 50 | 4460426 | 1 | Connector, Strain Relief | |
| 51 | 3520035 | 1 | Plug | |

SECTION 2 - TURNTABLE

FIGURE 2-20. LIGHT PANEL INSTALLATION



ART_1001241403_10F2

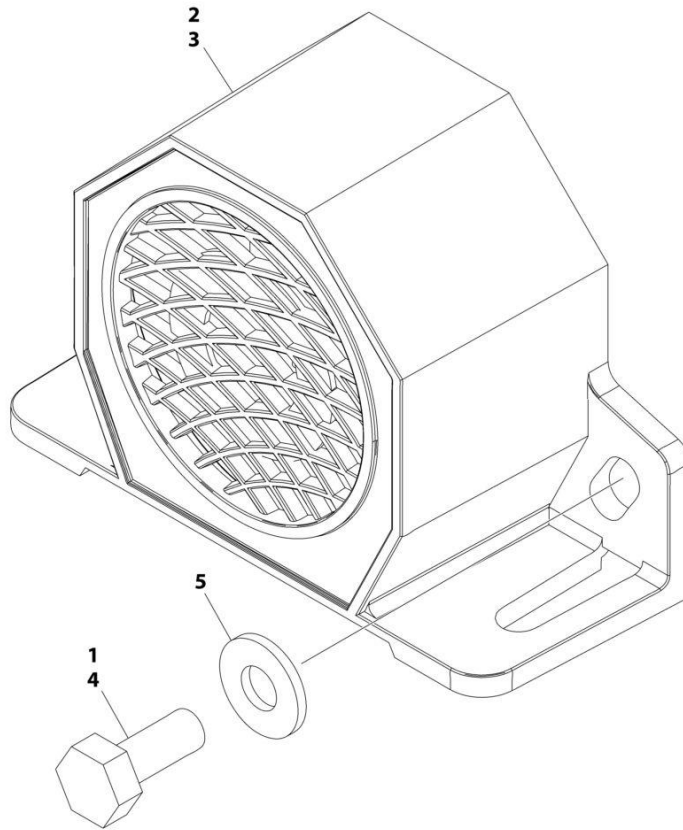
SECTION 2 - TURNTABLE

FIGURE 2-20. LIGHT PANEL INSTALLATION

| ITEM | PART NUMBER | QTY | DESCRIPTION | REV |
|------|-------------|-----|---|-----|
| | 1001241403 | Ref | LIGHT PANEL INSTALLATION - GROUND CONTROL | C |
| 2 | 3300408 | 2 | Nut, Nylon Insert | |
| 3 | 0630518 | 2 | Screw #10 x 3/4 | |
| 5 | 1001238674 | 1 | Light Panel Assembly | G |
| 5A | 1001236092 | 1 | Lens, I-Con (Includes Gasket) | |
| 5B | 1001238732 | 1 | Panel, LED Light | |
| 5C | | Ref | Screw | |

SECTION 2 - TURNTABLE

FIGURE 2-21. ALARM INSTALLATION



ART_1001158364

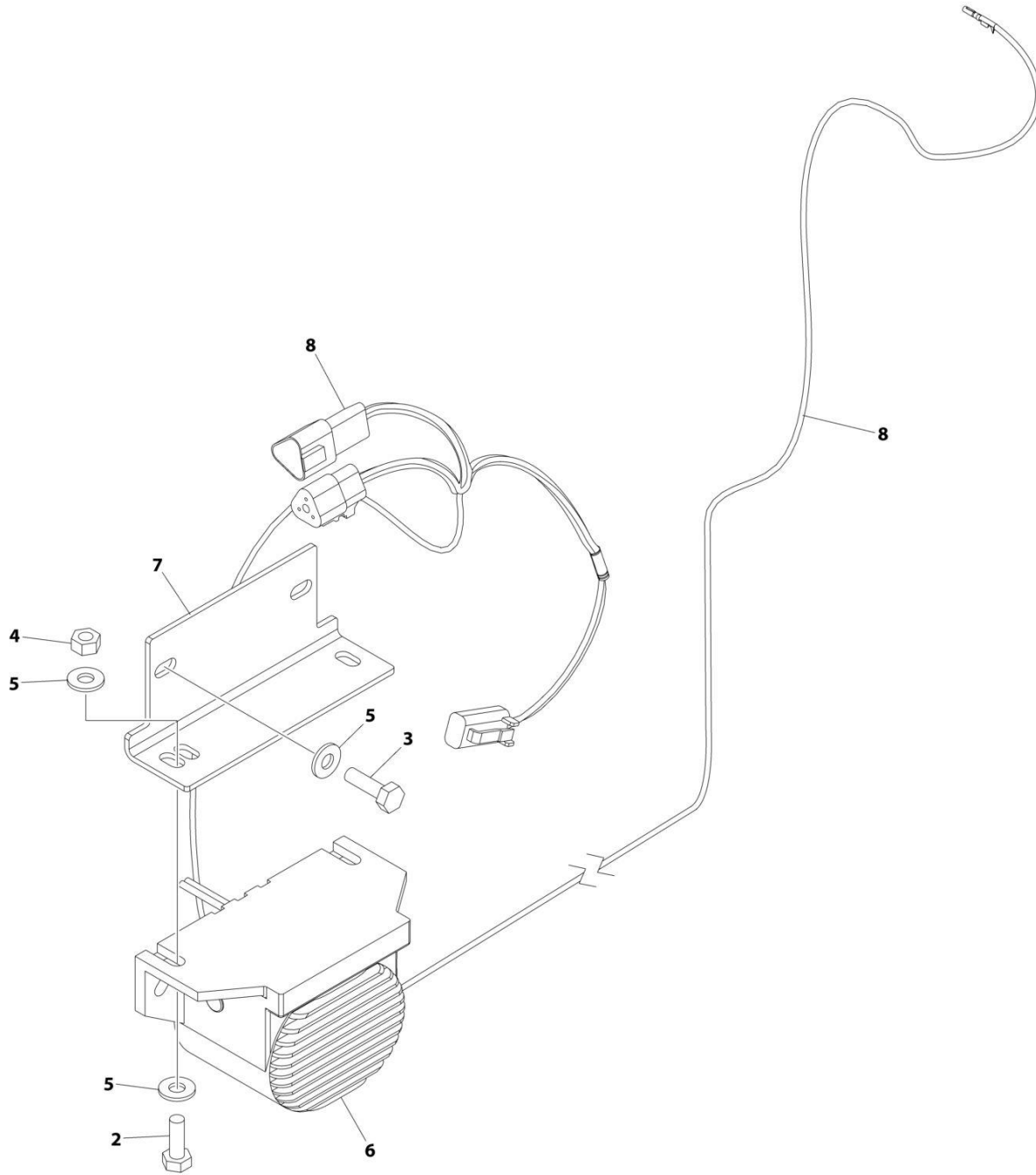
SECTION 2 - TURNTABLE

FIGURE 2-21. ALARM INSTALLATION

| ITEM | PART NUMBER | QTY | DESCRIPTION | REV |
|------|-------------|-----|--------------------|-----|
| | 1001158364 | Ref | ALARM INSTALLATION | A |
| 1 | 0100011 | AR | Compound, Locking | |
| 2 | 0100048 | AR | Grease, Dielectric | |
| 3 | 0140044 | 1 | Alarm | |
| 4 | 0641405 | 2 | Bolt 1/4 x 5/8 | |
| 5 | 4711400 | 2 | Washer 1/4 | |

SECTION 2 - TURNTABLE

FIGURE 2-22. WHITE NOISE ALARM INSTALLATION - ADJUSTABLE AMBIENT



ART_1001241385

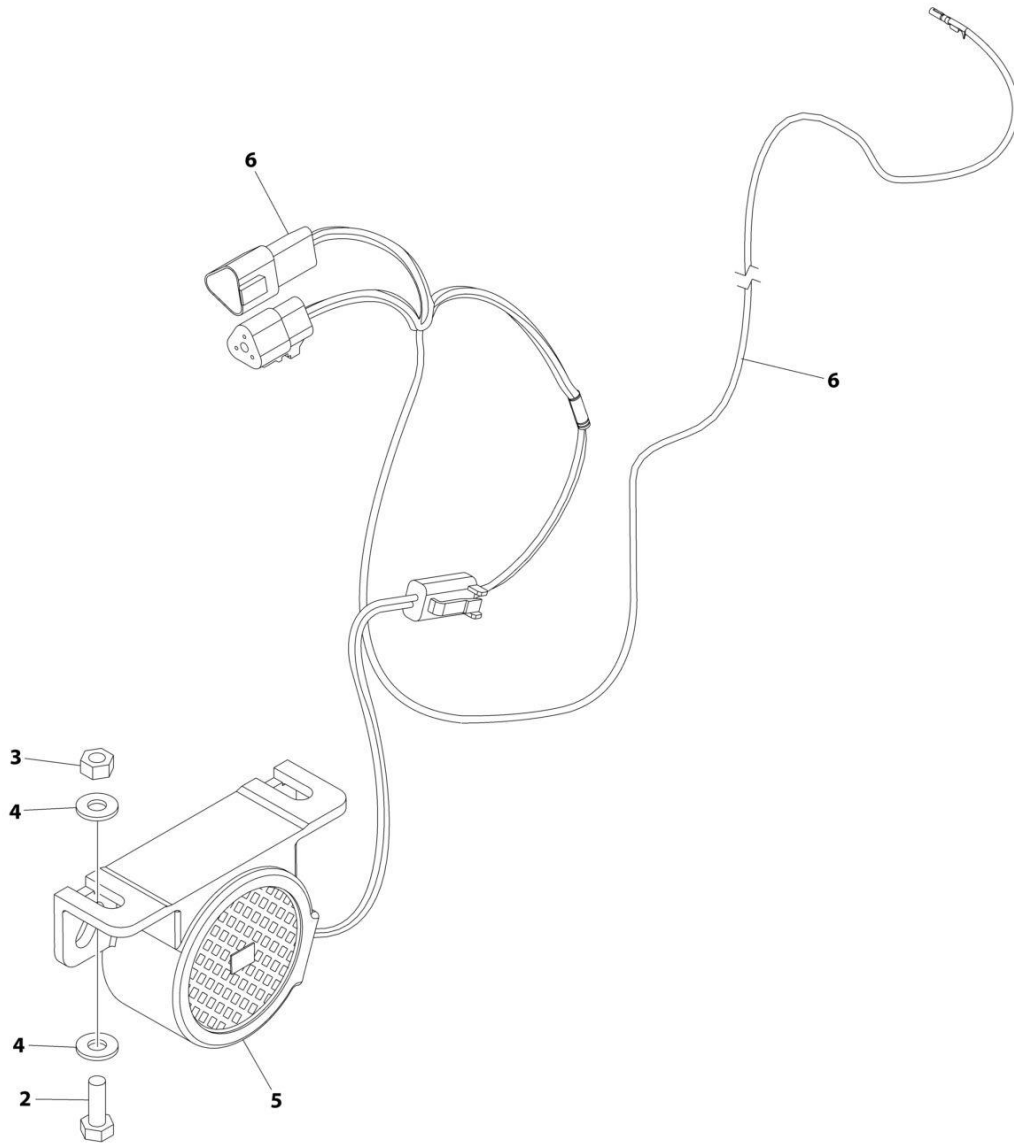
SECTION 2 - TURNTABLE

FIGURE 2-22. WHITE NOISE ALARM INSTALLATION - ADJUSTABLE AMBIENT

| ITEM | PART NUMBER | QTY | DESCRIPTION | REV |
|------|-------------|-----|---|-----|
| | 1001241385 | Ref | WHITE NOISE ALARM INSTALLATION | A |
| 1 | 0100048 | AR | Compound, Silicone (Not Shown) | |
| 2 | 0641406 | 2 | Bolt 1/4 x 3/4 | |
| 3 | 0641407 | 2 | Bolt 1/4 x 7/8 | |
| 4 | 3311405 | 2 | Nut 1/4 | |
| 5 | 4711400 | 6 | Washer 1/4 | |
| 6 | 1001182806 | 1 | Alarm | |
| 7 | 1001231886 | 1 | Plate | |
| 8 | 1001243682 | 1 | White Noise Motion Alarm Harness (See Separate Breakdown in this Section) | |

SECTION 2 - TURNTABLE

FIGURE 2-23. WHITE NOISE MOTION ALARM INSTALLATION - AMBIENT



ART_1001239347

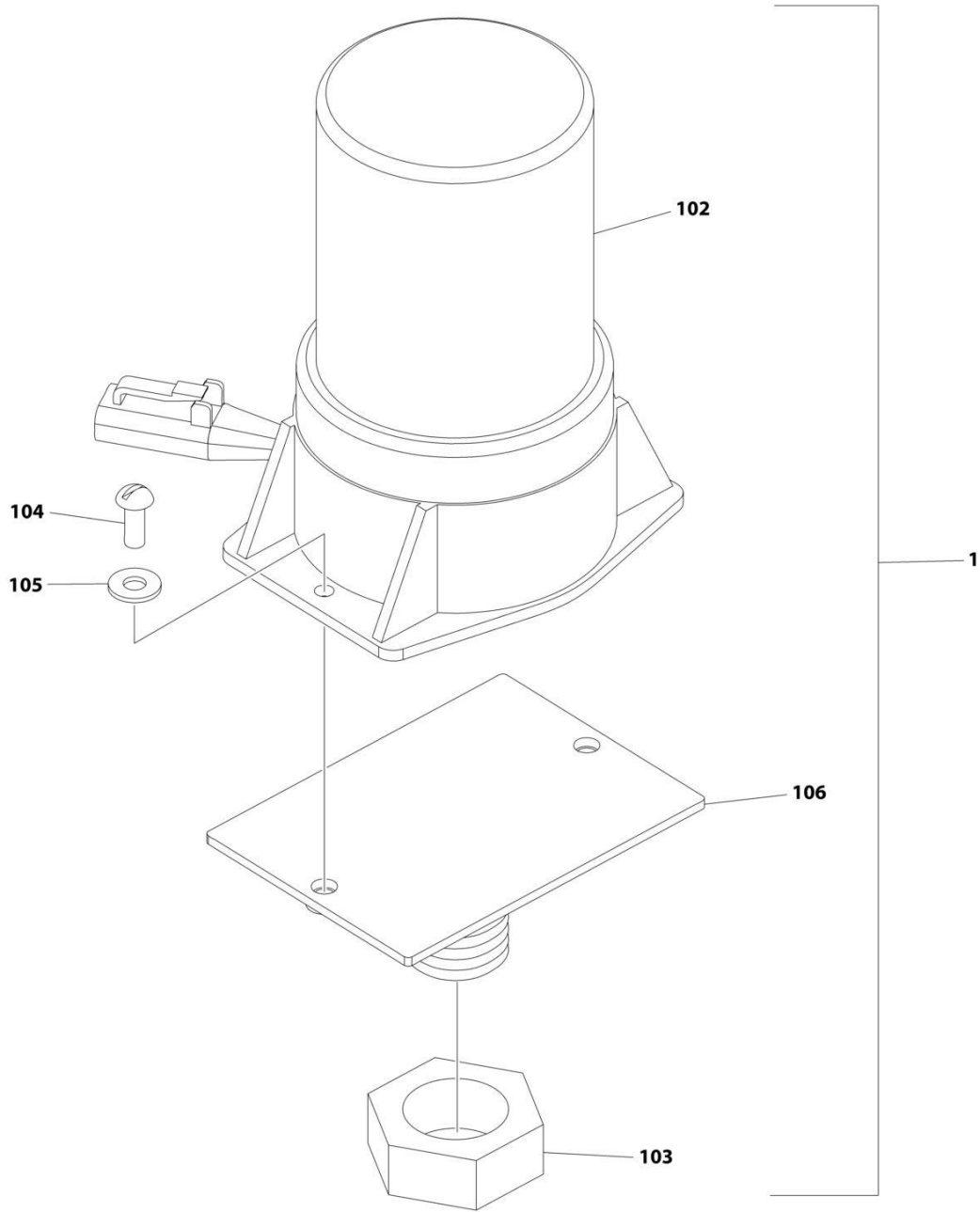
SECTION 2 - TURNTABLE

FIGURE 2-23. WHITE NOISE MOTION ALARM INSTALLATION - AMBIENT

| ITEM | PART NUMBER | QTY | DESCRIPTION | REV |
|------|-------------|-----|---|-----|
| | 1001239347 | Ref | WHITE NOISE MOTION ALARM INSTALLATION | A |
| 1 | 0100048 | AR | Compound, Silicone (Not Shown) | |
| 2 | 0641406 | 2 | Bolt 1/4 x 3/4 | |
| 3 | 3311405 | 2 | Nut 1/4 | |
| 4 | 4711400 | 4 | Washer 1/4 | |
| 5 | 1001184682 | 1 | Alarm | |
| 6 | 1001243682 | 1 | White Noise Motion Alarm Harness (See Separate Breakdown in this Section) | |

SECTION 2 - TURNTABLE

FIGURE 2-24. STROBE LIGHT INSTALLATION (AMBER)



ART_1001160077

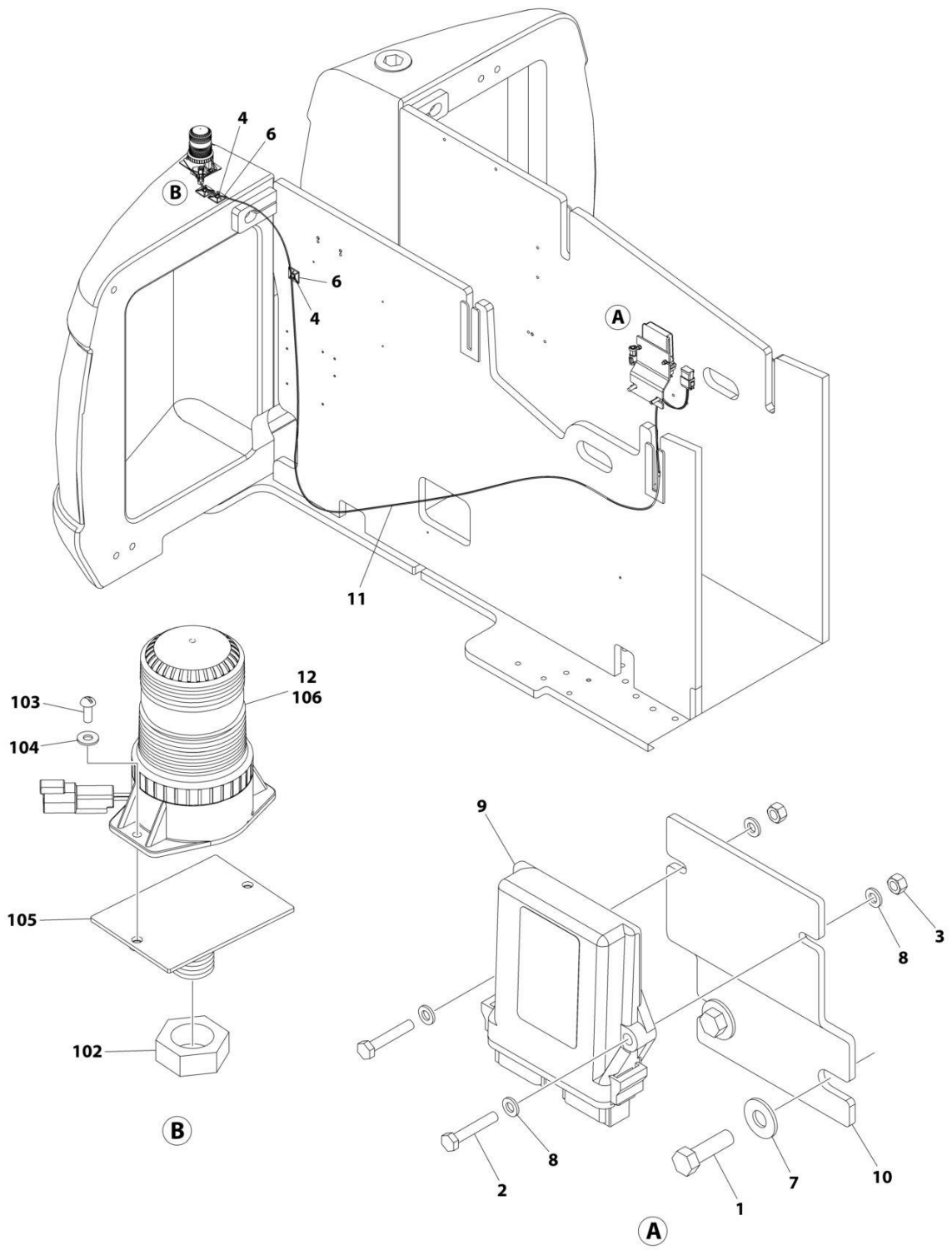
SECTION 2 - TURNTABLE

FIGURE 2-24. STROBE LIGHT INSTALLATION (AMBER)

| ITEM | PART NUMBER | QTY | DESCRIPTION | REV |
|------|-------------|-----|--|-----|
| | 1001160077 | Ref | STROBE LIGHT INSTALLATION (AMBER) | B |
| 1 | 1001150406 | 1 | Strobe Light Assembly (Includes Items 102-106) | C |
| 102 | 2920161 | 1 | Strobe Light/Harness Assembly | |
| 102 | 7016319 | 1 | Bulb | |
| 102 | 7016372 | 1 | Lens | |
| 103 | 3312602 | 1 | Nut1 | |
| 104 | 3900085 | 2 | Screw #10 x 1/2 | |
| 105 | 4751000 | 2 | Washer 1/4 | |
| 106 | 1001149994 | 1 | Mount, Strobe | |

SECTION 2 - TURNTABLE

FIGURE 2-25. STROBE LIGHT INSTALLATION (BLUE)



ART_1001242255

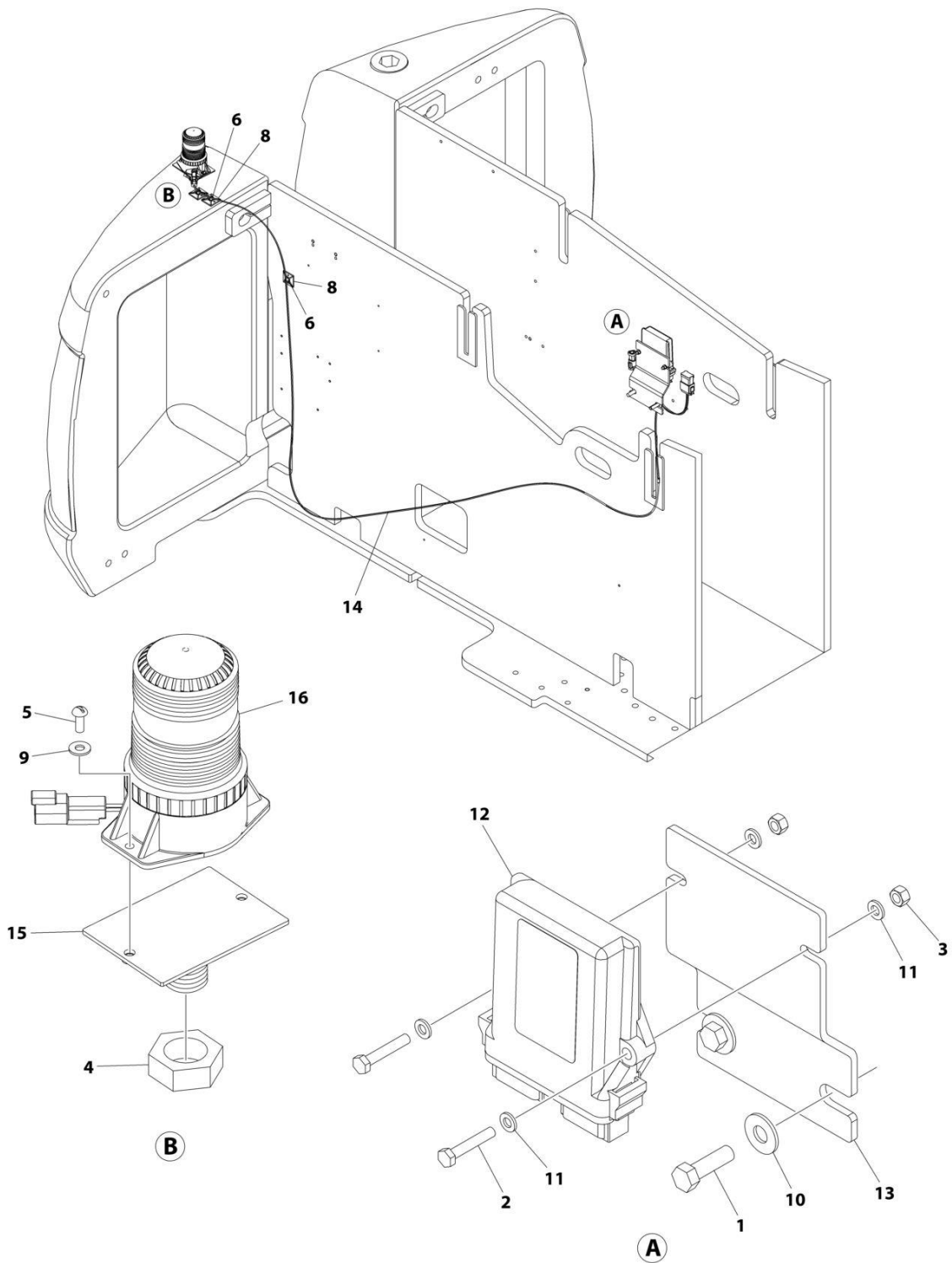
SECTION 2 - TURNTABLE

FIGURE 2-25. STROBE LIGHT INSTALLATION (BLUE)

| ITEM | PART NUMBER | QTY | DESCRIPTION | REV |
|------|-------------|-----|---|-----|
| | 1001242255 | Ref | STROBE LIGHT INSTALLATION (BLUE) | A |
| 1 | 0641610 | 2 | Bolt 3/8 x 1-1/4 | |
| 2 | 0700615 | 2 | Bolt 6 x 35 | |
| 3 | 3290607 | 2 | Nut M6 | |
| 4 | 4240032 | AR | Tie-Strap | |
| 5 | 4240033 | AR | Tie-Cable (Not Shown) | |
| 6 | 4460488 | AR | Base, Terminal, Mounting | |
| 7 | 4751600 | 2 | Washer 3/8 | |
| 8 | 4811700 | 4 | Washer M6 | |
| 9 | 1001142683 | 1 | Module, Control - Beacon | |
| 10 | 1001142722 | 1 | Bracket | |
| 11 | 1001142736 | 1 | Beacon Control Harness (See Separate Breakdown in ELECTRICAL SECTION) | |
| 12 | 1001217005 | 1 | Beacon Kit - Blue (Includes Items 102 - 106) | |
| 102 | 3312602 | 1 | Nut | |
| 103 | 3900085 | 2 | Screw | |
| 104 | 4751000 | 2 | Washer #10 | |
| 105 | 1001149994 | 1 | Mount, Strobe | |
| 106 | 1001200910 | 1 | Light, Beacon | |

SECTION 2 - TURNTABLE

FIGURE 2-26. STROBE LIGHT INSTALLATION (RED)



ART_1001242256

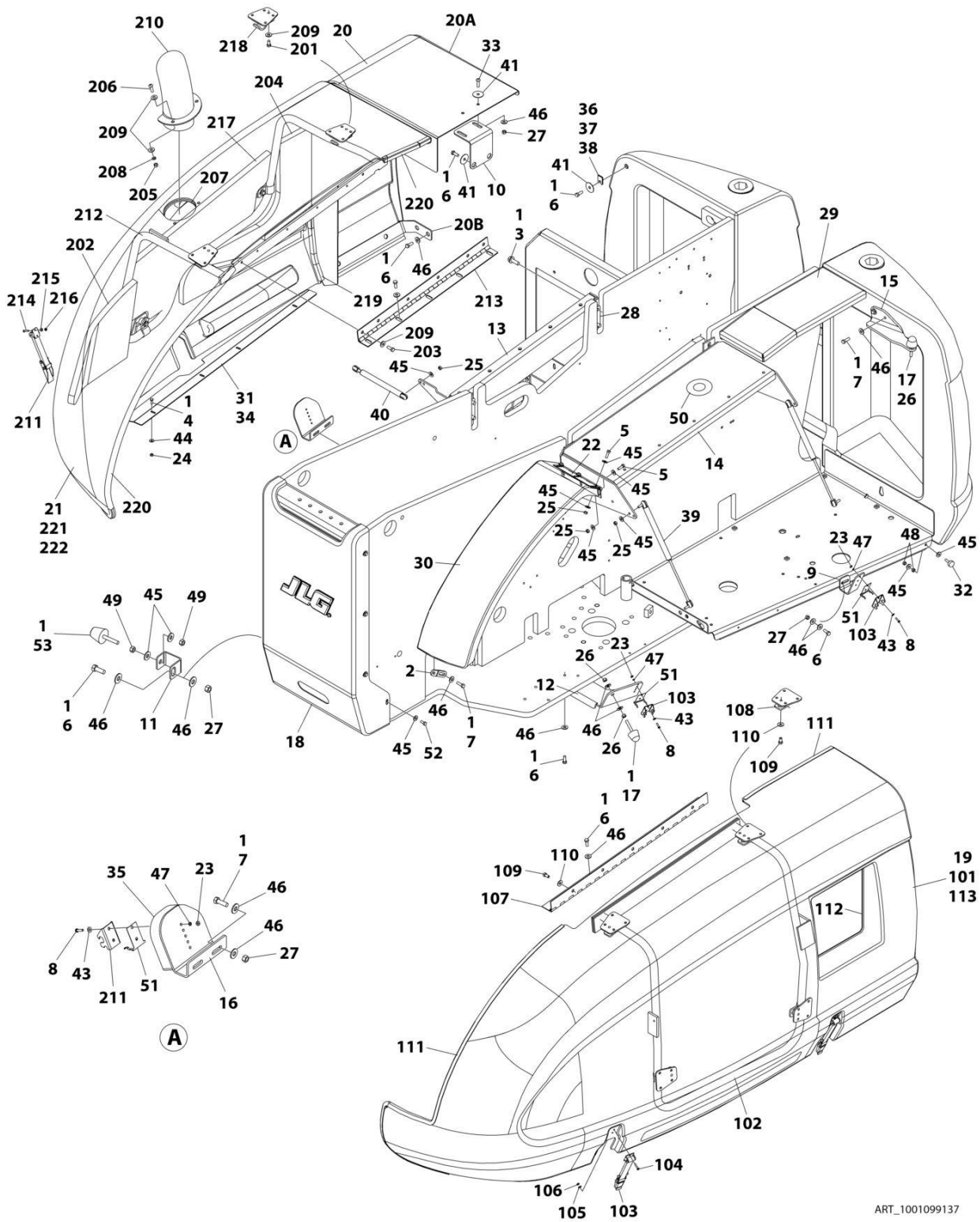
SECTION 2 - TURNTABLE

FIGURE 2-26. STROBE LIGHT INSTALLATION (RED)

| ITEM | PART NUMBER | QTY | DESCRIPTION | REV |
|------|-------------|-----|---|-----|
| | 1001242256 | Ref | STROBE LIGHT INSTALLATION (RED) | A |
| 1 | 0641610 | 2 | Bolt 3/8 x 1-1/4 | |
| 2 | 0700615 | 2 | Bolt 6 x 35 | |
| 3 | 3290607 | 2 | Nut M6 | |
| 4 | 3312602 | 1 | Nut | |
| 5 | 3900085 | 2 | Screw | |
| 6 | 4240032 | AR | Tie Strap | |
| 7 | 4240033 | AR | Tie Cable (Not Shown) | |
| 8 | 4460488 | AR | Base, Terminal, Mounting | |
| 9 | 4751000 | 2 | Washer | |
| 10 | 4751600 | 2 | Washer 3/8 | |
| 11 | 4811700 | 4 | Washer | |
| 12 | 1001142683 | 1 | Module, Control | |
| 13 | 1001142722 | 1 | Bracket | |
| 14 | 1001142736 | 1 | Beacon Control Harness (See Separate Breakdown in ELECTRICAL SECTION) | |
| 15 | 1001149994 | 1 | Mount, Strobe | |
| 16 | 1001207004 | 1 | Light, Beacon | |

SECTION 2 - TURNTABLE

FIGURE 2-27. HOODS INSTALLATION - ABS (DEUTZ D2011 ENGINES)



ART_1001099137

SECTION 2 - TURNTABLE

FIGURE 2-27. HOODS INSTALLATION - ABS (DEUTZ D2011 ENGINES)

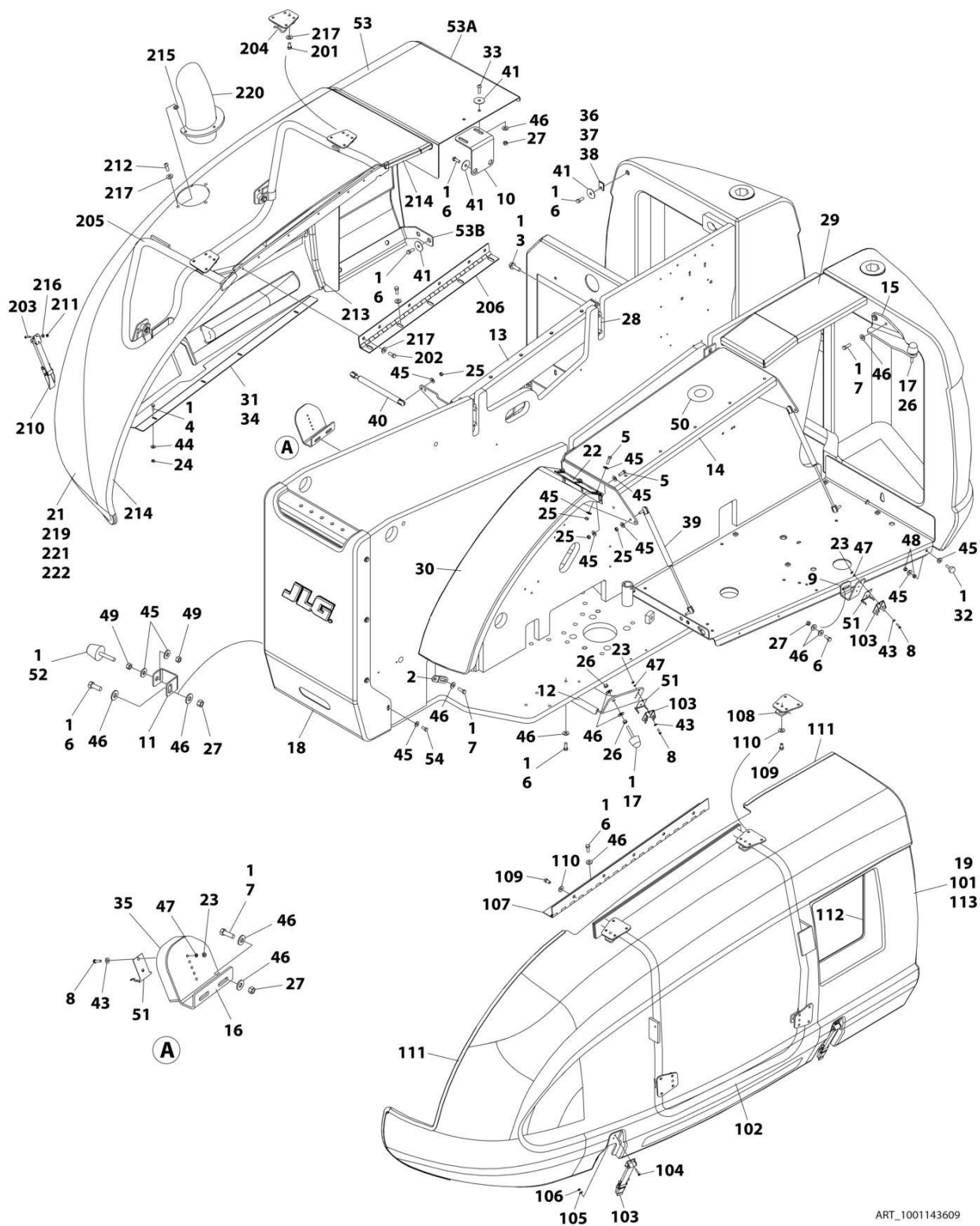
| ITEM | PART NUMBER | QTY | DESCRIPTION | REV |
|------|-------------|-----------------|---|-----|
| | 1001099137 | Ref | HOODS INSTALLATION | E |
| 1 | 0100011 | AR | Compound, Locking | |
| 2 | 0362770 | 1 | Bar, Panel Mounting | |
| 3 | 0811812 | 8 | Bolt | |
| 4 | 0641406 | 4 | Bolt 1/4 x 3/4 | |
| 5 | 0641508 | 6 | Bolt 5/16 x 1 | |
| 6 | 0641608 | 22 | Bolt 3/8 x 1 | |
| 7 | 0641609 | 5 | Bolt 3/8 x 1-1/8 | |
| 8 | 0721006 | 6 | Screw #10 x 3/4 | |
| 9 | 0902143 | 1 | Bracket, Latch (Tank Side) | |
| 10 | 0902161 | 1 | Bracket, Hood Spacer Mounting (Engine Side) | |
| 11 | 0902219 | 2 | Bracket, Bumper | |
| 12 | 0902223 | 1 | Bracket, Latch (Tank Side) | |
| 13 | 1001207558 | 1 | Bracket, Hood Mounting (Engine Side) | |
| 14 | 0902412 | 1 | Bracket, Hood Mounting (Tank Side) | |
| 15 | 0902426 | 1 | Bracket, Bumper - Counterweight Mounted | |
| 16 | 0902491 | 1 | Bracket, Latch (Engine Side) | |
| 17 | 0940071 | 2 | Bumper | |
| 18 | 1670842 | 1 | Cover, Turntable End | |
| 19 | 1671228 | 1 | Hood Assembly - Tank Side (See Items 101-113 for Breakdown) | |
| 19 | | Ref | Note: Replacement Decals Must be Ordered Separately - See DECALS SECTION. | |
| 20 | 1671233 | 1 | Spacer Assembly | |
| 20A | 3960453 | 68 in /1.73m | Seal | |
| 20B | 0903308 | 1 | Bracket | |
| 21 | 1001099138 | 1 | Hood Assembly - Engine Side (See Items 201-221 for Breakdown): | |
| 21 | | Ref | Note: Replacement Decals Must be Ordered Separately - See DECAL SECTION. | |
| 22 | 2600244 | 1 | Adapter, Panel Hinge | |
| 23 | 3311001 | 6 | Nut #10 | |
| 24 | 3311405 | 4 | Nut 1/4 | |
| 25 | 3311505 | 9 | Nut 5/16 | |
| 26 | 3311601 | 4 | Nut 3/8 | |
| 27 | 3311605 | 7 | Nut 3/8 | |
| 28 | 1001150260 | 4 | Plate, Hinge Block | |
| 29 | 3380442 | 1 | Cover, Top (Tank Side) | |
| 30 | 3380444 | 1 | Panel, Adapter | |
| 31 | 3571712 | 1 | Plate, Seal | |
| 32 | 0940049 | 1 | Stopper, Hood | |
| 33 | 3900232 | 2 | Screw 3/8 x 1-1/4 | |
| 34 | 3960389 | 3.5 ft/1m | Seal | |
| 35 | 3960470 | 1 | Seal, Latch | |
| 36 | 4070410 | AR | Shim 1/16 | |
| 37 | 4070411 | AR | Shim 1/8 | |
| 38 | 4070412 | AR | Shim 3/16 | |
| 39 | 4160139 | 2 | Spring, Gas (Tank Side) | |
| 40 | 4160143 | 1 | Spring, Gas (Engine Side) | |
| 41 | 4740076 | 5 | Washer, Fender | |

SECTION 2 - TURNTABLE

| ITEM | PART NUMBER | QTY | DESCRIPTION | REV |
|------|-------------|-----------------|-----------------------------|-----|
| 43 | 4751000 | 6 | Washer #10 | |
| 44 | 4751400 | 4 | Washer 1/4 | |
| 45 | 4751500 | 29 | Washer 5/16 | |
| 46 | 4751600 | 35 | Washer 3/8 | |
| 47 | 4761000 | 6 | Washer #10 | |
| 48 | 3311501 | 2 | Nut 5/16 | |
| 49 | 3321501 | 4 | Nut 5/16 | |
| 50 | 1120601 | 1 | Plug | |
| 51 | 2940188 | 3 | Latch | |
| 52 | 0641506 | 8 | Bolt, 5/16 x 3/4 | |
| 53 | 0940088 | 2 | Bumper | |
| | 1671228 | Ref | HOOD ASSEMBLY (TANK SIDE) | A |
| 101 | 1671231 | 1 | Hood | |
| 102 | 1671232 | 1 | Frame, Tubular | |
| 103 | 2940088 | 2 | Latch | |
| 104 | 0721008 | 4 | Screw, #10 x 1 | |
| 105 | 4751000 | 4 | Washer #10 | |
| 106 | 3311001 | 4 | Nut #10 | |
| 107 | 2600233 | 1 | Hinge | |
| 108 | 1321384 | 4 | Hold Down | |
| 109 | 0641606 | 9 | Bolt 3/8 x 3/4 | |
| 110 | 4711600 | 9 | Washer 3/8 | |
| 111 | 3960464 | 83 in /2.11m | Seal | |
| 112 | 3960438 | 55 in/1.4m | Seal | |
| 113 | 3960462 | 53 in /1.35m | Seal | |
| | 1001099138 | Ref | HOOD ASSEMBLY (ENGINE SIDE) | B |
| 201 | 0641606 | 4 | Bolt 3/8 x 3/4 | |
| 202 | 2820233 | 1 | Insulation, Rear Sound | |
| 203 | 0641608 | 6 | Insulation, Center Sound | |
| 204 | 2820235 | 1 | Insulation, Rear Sound | |
| 205 | 3311605 | 2 | Nut 3/8 | |
| 206 | 3900232 | 2 | Screw 3/8 x 1-1/4 | |
| 207 | 1001101623 | 1 | Shield, Heat Gasket | |
| 208 | 4740500 | 2 | Washer | |
| 209 | 4751600 | 14 | Washer 3/8 | |
| 210 | 1001099121 | 1 | Exhaust Tube Weldment | |
| 211 | 2940088 | 1 | Latch | |
| 212 | 1671230 | 1 | Frame, Tubular | |
| 213 | 2600209 | 1 | Hinge | |
| 214 | 0721008 | 2 | Screw, #10 x 1 | |
| 215 | 4751000 | 2 | Washer #10 | |
| 216 | 3311001 | 2 | Nut #10 | |
| 217 | 2820234 | AR | Insulation | |
| 218 | 1321384 | 4 | Hold Down | |
| 219 | 3960462 | 61 in /1.55m | Seal | |
| 220 | 3960464 | 65 in /1.67m | Seal | |
| 221 | 1001101673 | AR | Insulation | |

SECTION 2 - TURNTABLE

FIGURE 2-28. HOODS INSTALLATION - ABS (DEUTZ TD2.9L4 ENGINES)



ART_1001143609

SECTION 2 - TURNTABLE

FIGURE 2-28. HOODS INSTALLATION - ABS (DEUTZ TD2.9L4 ENGINES)

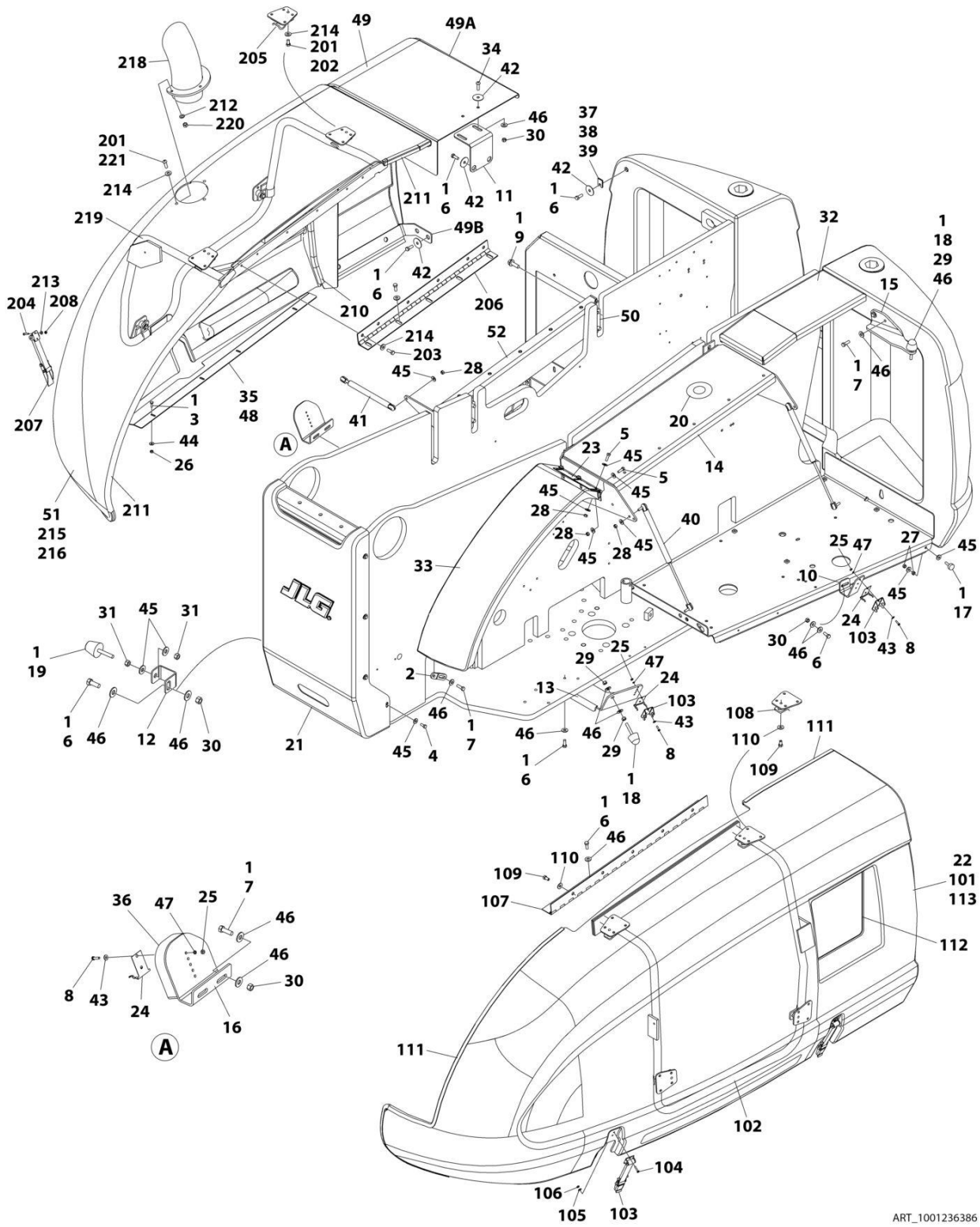
| ITEM | PART NUMBER | QTY | DESCRIPTION | REV |
|------|-------------|-----------|---|-----|
| | 1001143609 | Ref | HOODS INSTALLATION | E |
| 1 | 0100011 | AR | Compound, Locking | |
| 2 | 0362770 | 1 | Bar, Panel Mounting | |
| 3 | 0811812 | 8 | Bolt | |
| 4 | 0641406 | 4 | Bolt 1/4 x 3/4 | |
| 5 | 0641508 | AR | Bolt 5/16 x 1 | |
| 6 | 0641608 | 22 | Bolt 3/8 x 1 | |
| 7 | 0641609 | 5 | Bolt 3/8 x 1-1/8 | |
| 8 | 0721006 | 6 | Screw #10 x 3/4 | |
| 9 | 0902143 | 1 | Bracket, Latch (Tank Side) | |
| 10 | 0902161 | 1 | Bracket, Hood Spacer Mounting (Engine Side) | |
| 11 | 0902219 | 2 | Bracket, Bumper | |
| 12 | 0902223 | 1 | Bracket, Latch (Tank Side) | |
| 13 | 1001207558 | 1 | Bracket, Hood Mounting (Engine Side) | |
| 14 | 0902412 | 1 | Bracket, Hood Mounting (Tank Side) | |
| 15 | 0902426 | 1 | Bracket, Bumper - Counterweight Mounted | |
| 16 | 0902491 | 1 | Bracket, Latch (Engine Side) | |
| 17 | 0940071 | 2 | Bumper | |
| 18 | 1670842 | 1 | Cover, Turntable End | |
| 19 | 1671228 | 1 | Hood Assembly - Tank Side (See Items 101-113 for Breakdown) | |
| 19 | | Ref | Note: Replacement Decals Must be Ordered Separately - See DECALS SECTION. | |
| 21 | 1001143607 | 1 | Hood Assembly - Engine Side (See Items 201-222 for Breakdown) | |
| 21 | | Ref | Note: Replacement Decals Must be Ordered Separately - See DECAL SECTION. | |
| 22 | 2600244 | 1 | Adapter, Panel Hinge | |
| 23 | 3311001 | 6 | Nut #10 | |
| 24 | 3311405 | 4 | Nut 1/4 | |
| 25 | 3311505 | 9 | Nut 5/16 | |
| 26 | 3311601 | AR | Nut 3/8 | |
| 27 | 3311605 | 7 | Nut 3/8 | |
| 28 | 1001150260 | 4 | Plate, Hinge Block | |
| 29 | 3380442 | 1 | Cover, Top (Tank Side) | |
| 30 | 3380444 | 1 | Panel, Adapter | |
| 31 | 1001143858 | 1 | Plate, Seal (Deutz TD2.9L4 and Deutz TD2.9L4 (Stage V Pre-Buy Engines)) | |
| 32 | 0940049 | 1 | Stopper, Hood | |
| 33 | 3900232 | 2 | Screw 3/8 x 1-1/4 | |
| 34 | 3960389 | 3.5 ft/1m | Seal | |
| 35 | 3960470 | 1 | Seal, Latch | |
| 36 | 4070410 | AR | Shim 1/16 | |
| 37 | 4070411 | AR | Shim 1/8 | |
| 38 | 4070412 | AR | Shim 3/16 | |
| 39 | 4160139 | 2 | Spring, Gas (Tank Side) | |
| 40 | 4160143 | 1 | Spring, Gas (Engine Side) | |
| 41 | 4740076 | 5 | Washer, Fender | |
| 43 | 4751000 | 6 | Washer #10 | |
| 44 | 4751400 | 4 | Washer 1/4 | |
| 45 | 4751500 | AR | Washer 5/16 | |
| 46 | 4751600 | AR | Washer 3/8 | |

SECTION 2 - TURNTABLE

| ITEM | PART NUMBER | QTY | DESCRIPTION | REV |
|------|-------------|-----------------|-----------------------------|-----|
| 47 | 4761000 | 6 | Washer #10 | |
| 48 | 3311501 | 2 | Nut 5/16 | |
| 49 | 3321501 | AR | Nut 5/16 | |
| 50 | 1120601 | 1 | Plug | |
| 51 | 2940188 | 3 | Latch | |
| 52 | 0940088 | 2 | Stopper | |
| 53 | 1001149673 | 1 | Spacer | |
| 54 | 0641506 | 8 | Screw 5/16 x 3/4 | |
| | 1671228 | Ref | HOOD ASSEMBLY (TANK SIDE) | A |
| 101 | 1671231 | 1 | Hood | |
| 102 | 1671232 | 1 | Frame, Tubular | |
| 103 | 2940088 | 2 | Latch | |
| 104 | 0721008 | 4 | Screw, Machine #10 x 1 | |
| 105 | 4751000 | 4 | Washer #10 | |
| 106 | 3311001 | 4 | Nut #10 | |
| 107 | 2600233 | 1 | Hinge | |
| 108 | 1321384 | 4 | Hold Down | |
| 109 | 0641606 | 9 | Bolt 3/8 x 3/4 | |
| 110 | 4711600 | 9 | Washer 3/8 | |
| 111 | 3960464 | 83 in /2.11m | Seal | |
| 112 | 3960438 | 55 in/1.4m | Seal | |
| 113 | 3960462 | 53 in /1.35m | Seal | |
| | 1001143607 | Ref | HOOD ASSEMBLY (ENGINE SIDE) | F |
| 201 | 0641606 | 4 | Bolt 3/8 x 3/4 | |
| 202 | 0641608 | 6 | Bolt 3/8 x 1 | |
| 203 | 0721008 | 2 | Screw #10 x 1 | |
| 204 | 1321384 | 4 | Hold Down | |
| 205 | 1001153435 | 1 | Frame, Tubular | |
| 206 | 2600209 | 1 | Hinge | |
| 210 | 2940088 | 1 | Latch | |
| 211 | 3311001 | 2 | Nut #10 | |
| 212 | 3900316 | 3 | Screw 3/8 x 1 | |
| 213 | 3960462 | 61 in /1.55m | Seal | |
| 214 | 3960464 | 65 in /1.67m | Seal | |
| 215 | 4740500 | 3 | Washer | |
| 216 | 4751000 | 2 | Washer #10 | |
| 217 | 4751600 | 13 | Washer 3/8 | |
| 220 | 1001143611 | 1 | Pipe, Exhaust | |
| 221 | 1001152566 | AR | Insulate, Heat | |
| 222 | 1001117140 | AR | Tape | |

SECTION 2 - TURNTABLE

FIGURE 2-29. HOODS INSTALLATION - ABS (DEUTZ TD2.9L4 (STAGE V) ENGINES)



ART_1001236386

SECTION 2 - TURNTABLE

FIGURE 2-29. HOODS INSTALLATION - ABS (DEUTZ TD2.9L4 (STAGE V) ENGINES)

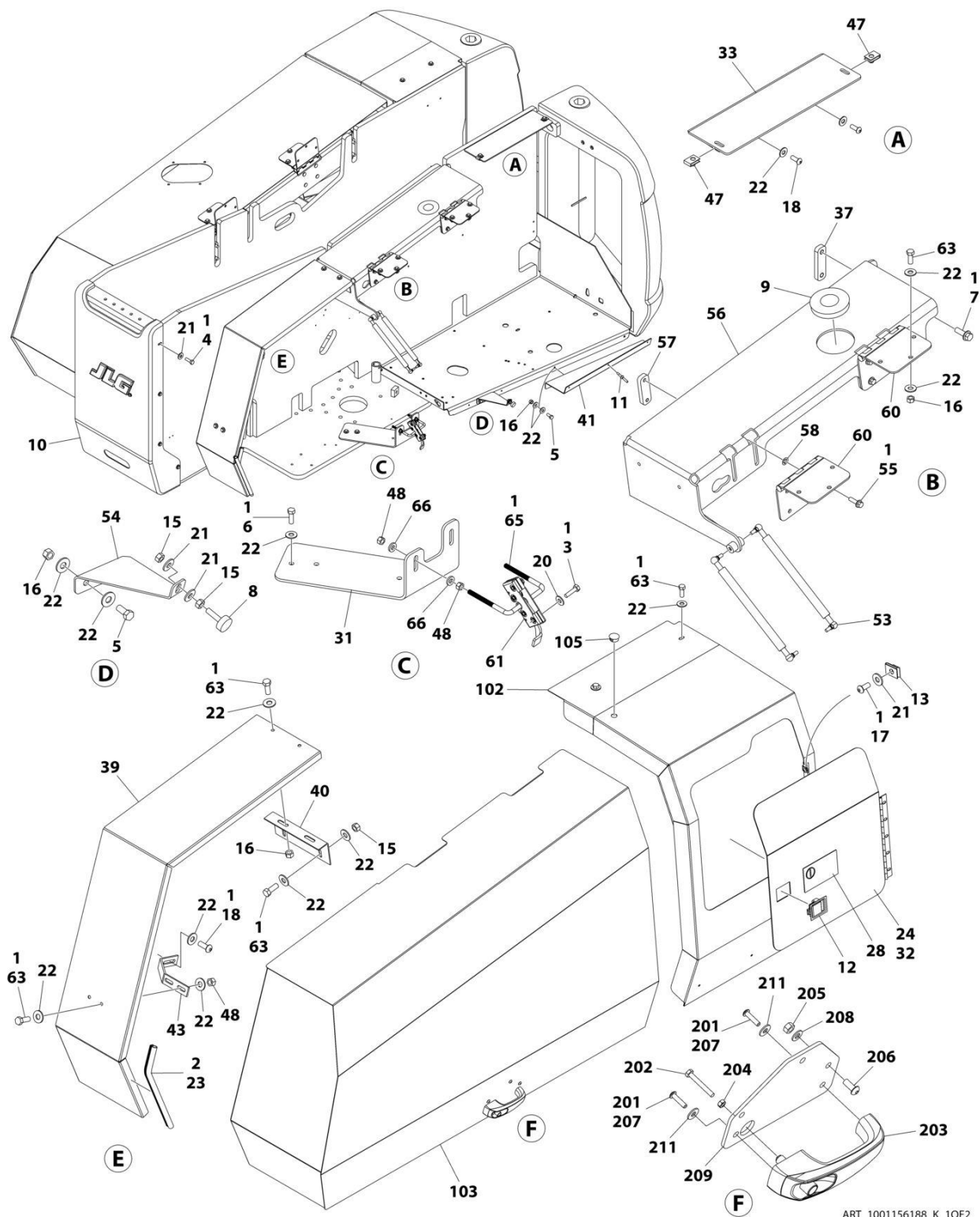
| ITEM | PART NUMBER | QTY | DESCRIPTION | REV |
|------|-------------|-----------|--|-----|
| | 1001236386 | Ref | HOODS INSTALLATION | B |
| 1 | 0100011 | AR | Compound, Locking | |
| 2 | 0362770 | 1 | Bar, Panel Mounting | |
| 3 | 0641406 | 4 | Bolt 1/4 x 3/4 | |
| 4 | 0641506 | 8 | Bolt 5/16 x 3/4 | |
| 5 | 0641508 | 6 | Bolt 5/16 x 1 | |
| 6 | 0641608 | 21 | Bolt 3/8 x 1 | |
| 7 | 0641609 | 5 | Bolt 3/8 x 1-1/8 | |
| 8 | 0721006 | 6 | Screw #10 x 3/4 | |
| 9 | 0811812 | 8 | Bolt | |
| 10 | 0902143 | 1 | Bracket, Latch (Tank Side) | |
| 11 | 0902161 | 1 | Bracket, Hood Spacer Mounting (Engine Side) | |
| 12 | 0902219 | 1 | Bracket, Bumper | |
| 13 | 0902223 | 1 | Bracket, Latch (Tank Side) | |
| 14 | 0902412 | 1 | Bracket, Hood Mounting (Tank Side) | |
| 15 | 0902426 | 1 | Bracket, Bumper - Counterweight Mounted | |
| 16 | 0902491 | 1 | Bracket, Latch (Engine Side) | |
| 17 | 0940049 | 1 | Stopper, Hood | |
| 18 | 0940071 | 2 | Bumper | |
| 19 | 0940088 | 2 | Stopper | |
| 20 | 1120601 | 1 | Plug | |
| 21 | 1670842 | 1 | Cover, Turntable End | |
| 22 | 1671228 | 1 | Hood Assembly - Tank Side (See Items 101-113 for Breakdown) | |
| 22 | | Ref | Note: Replacement Decals Must be Ordered Separately - See DECALS SECTION. | |
| 23 | 2600244 | 1 | Adapter, Panel Hinge | |
| 24 | 2940188 | 3 | Latch | |
| 25 | 3311001 | 6 | Nut #10 | |
| 26 | 3311405 | 4 | Nut 1/4 | |
| 27 | 3311501 | 2 | Nut 5/16 | |
| 28 | 3311505 | 9 | Nut 5/16 | |
| 29 | 3311601 | 4 | Nut 3/8 | |
| 30 | 3311605 | 6 | Nut 3/8 | |
| 31 | 3321501 | 4 | Nut 5/16 | |
| 32 | 3380442 | 1 | Cover, Top (Tank Side) | |
| 33 | 3380444 | 1 | Panel, Adapter | |
| 34 | 3900232 | 2 | Screw 3/8 x 1-1/4 | |
| 35 | 3960389 | 3.5 ft/1m | Seal | |
| 36 | 3960470 | 1 | Seal, Latch | |
| 37 | 4070410 | AR | Shim 1/16 | |
| 38 | 4070411 | AR | Shim 1/8 | |
| 39 | 4070412 | AR | Shim 3/16 | |
| 40 | 4160139 | 2 | Spring, Gas (Tank Side) | |
| 41 | 4160143 | 1 | Spring, Gas (Engine Side) | |
| 42 | 4740076 | 7 | Washer, Fender | |
| 43 | 4751000 | 6 | Washer #10 | |
| 44 | 4751400 | 4 | Washer 1/4 | |
| 45 | 4751500 | 29 | Washer 5/16 | |
| 46 | 4751600 | 31 | Washer 3/8 | |
| 47 | 4761000 | 6 | Washer #10 | |

SECTION 2 - TURNTABLE

| ITEM | PART NUMBER | QTY | DESCRIPTION | REV |
|------|-------------|-----------------|--|-----|
| 48 | 1001143858 | 1 | Plate, Seal (Deutz TD2.9L4 and Deutz TD2.9L4 (Stage V Pre-Buy) Engines) | |
| 49 | 1001149673 | 1 | Spacer | |
| 50 | 1001150260 | 4 | Plate, Hinge Block | |
| 51 | 1001236387 | 1 | Hood Assembly - Engine Side (See Items 201-221 for Breakdown) | |
| 51 | | Ref | Note: Replacement Decals Must be Ordered Separately - See DECAL SECTION. | |
| 52 | 1001207558 | 1 | Bracket, Hood Mounting (Engine Side) | |
| | 1671228 | Ref | HOOD ASSEMBLY (TANK SIDE) | A |
| 101 | 1671231 | 1 | Hood | |
| 102 | 1671232 | 1 | Frame, Tubular | |
| 103 | 2940088 | 2 | Latch | |
| 104 | 0721008 | 4 | Screw, Machine #10 x 1 | |
| 105 | 4751000 | 4 | Washer #10 | |
| 106 | 3311001 | 4 | Nut #10 | |
| 107 | 2600233 | 1 | Hinge | |
| 108 | 1321384 | 4 | Hold Down | |
| 109 | 0641606 | 9 | Bolt 3/8 x 3/4 | |
| 110 | 4711600 | 9 | Washer 3/8 | |
| 111 | 3960464 | 83 in /2.11m | Seal | |
| 112 | 3960438 | 55 in/1.4m | Seal | |
| 113 | 3960462 | 53 in /1.35m | Seal | |
| | 1001236387 | Ref | HOOD ASSEMBLY (ENGINE SIDE) | A |
| 201 | 0100011 | AR | Compound, Locking | |
| 202 | 0641606 | 4 | Bolt 3/8 x 3/4 | |
| 203 | 0641608 | 6 | Bolt 3/8 x 1 | |
| 204 | 0721008 | 2 | Screw #10 x 1 | |
| 205 | 1321384 | 4 | Hold Down | |
| 206 | 2600209 | 1 | Hinge | |
| 207 | 2940088 | 1 | Latch | |
| 208 | 3311001 | 2 | Nut #10 | |
| 210 | 3960462 | 61 in /1.55m | Seal | |
| 211 | 3960464 | 65 in/1.67m | Seal | |
| 212 | 4740500 | 3 | Washer | |
| 213 | 4751000 | 2 | Washer #10 | |
| 214 | 4751600 | 16 | Washer 3/8 | |
| 215 | 1001117140 | AR | Tape | |
| 216 | 1001152566 | AR | Insulate, Heat | |
| 218 | 1001236389 | 1 | Pipe, Exhaust | |
| 219 | 1001236871 | 1 | Frame, Tubular | |
| 220 | 3271601 | 1 | Nut 3/8 | |
| 221 | 3900232 | 3 | Screw 3/8 x 1-1/4 | |

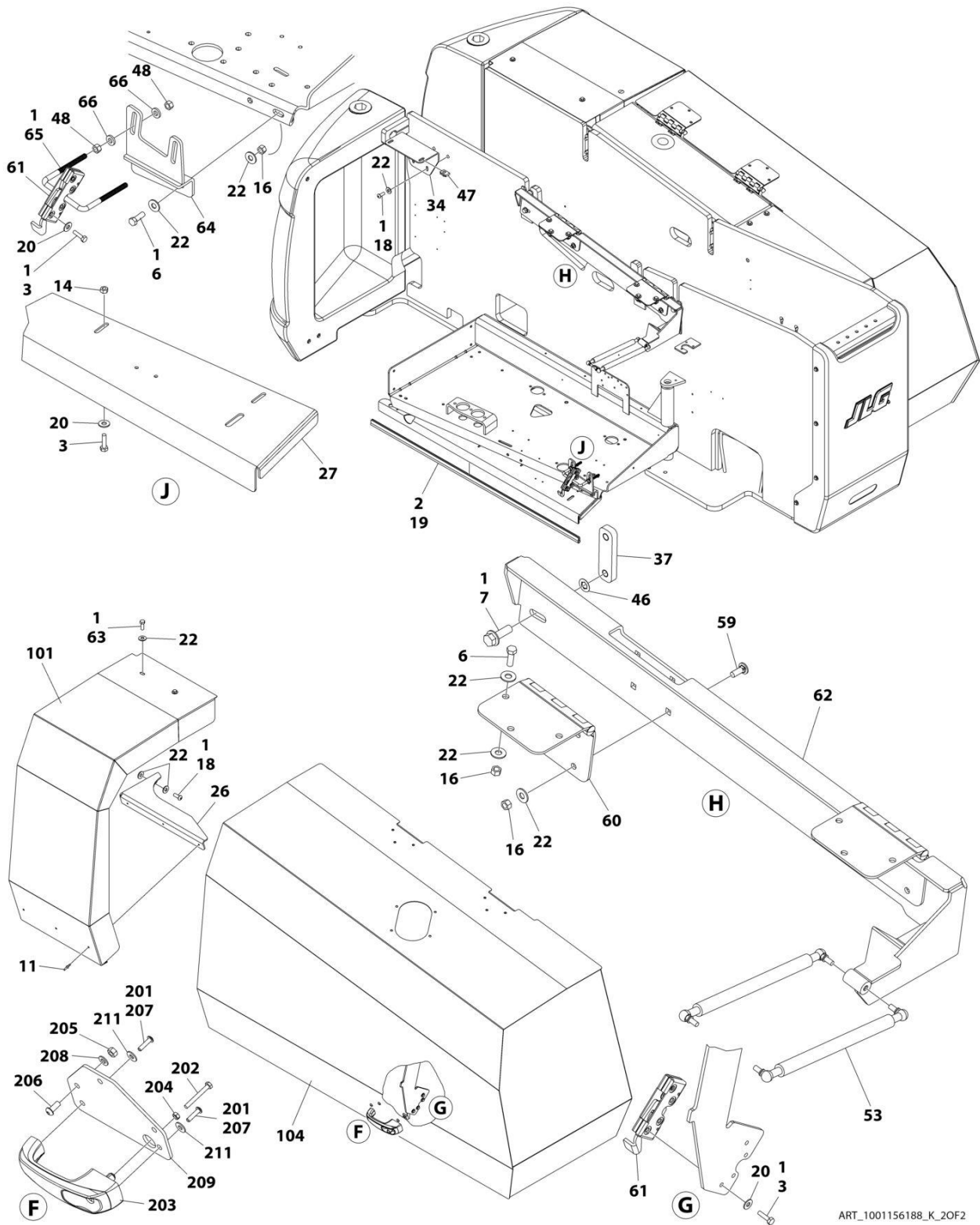
SECTION 2 - TURNTABLE

FIGURE 2-30. HOODS INSTALLATION - STEEL (DEUTZ D2011 ENGINES)



ART_1001156188_K_10F2

SECTION 2 - TURNTABLE



ART_1001156188_K_20F2

SECTION 2 - TURNTABLE

FIGURE 2-30. HOODS INSTALLATION - STEEL (DEUTZ D2011 ENGINES)

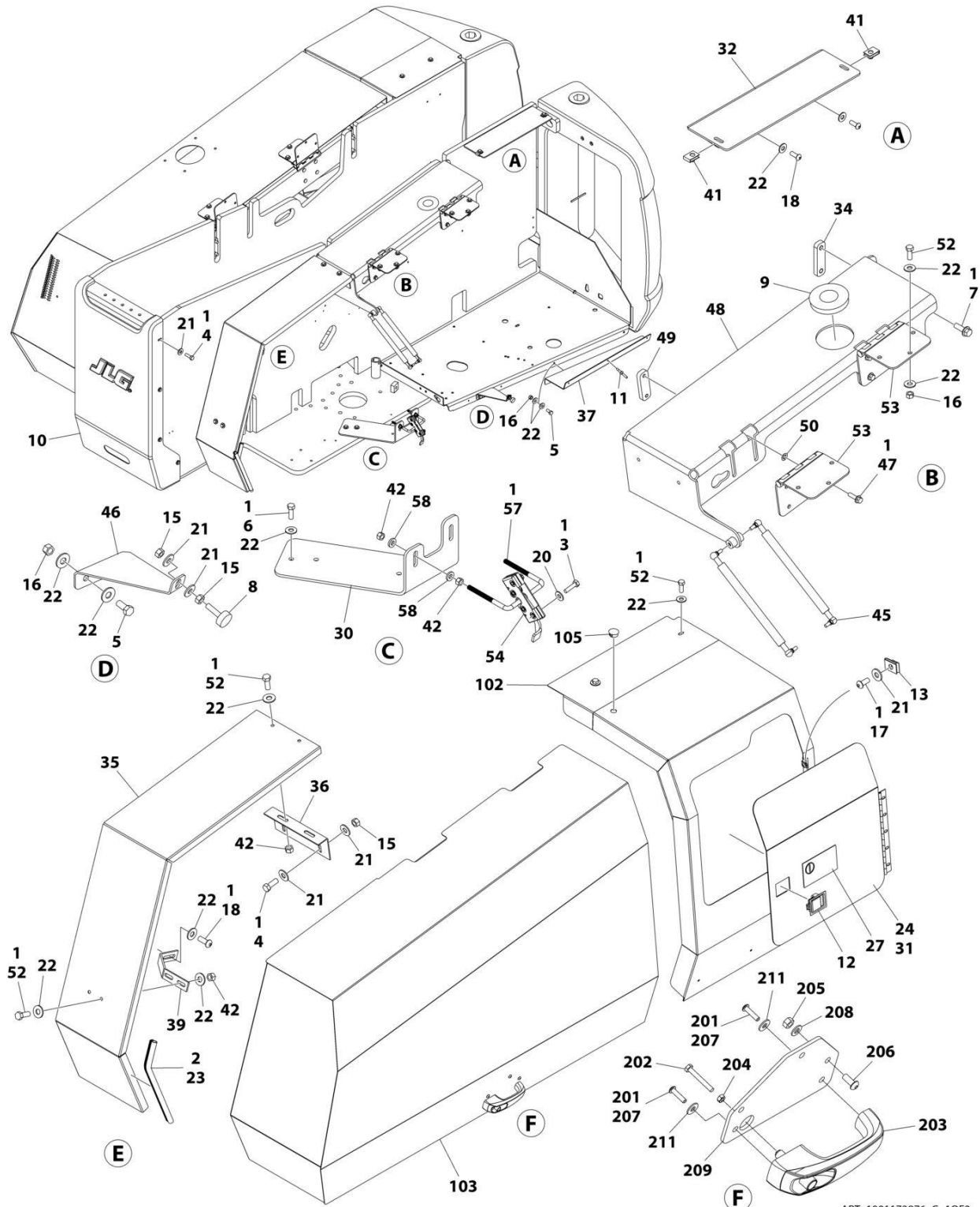
| ITEM | PART NUMBER | QTY | DESCRIPTION | REV |
|------|-------------|-----------------|---|-----|
| | | Ref | NOTE: REPLACEMENT DECALS MUST BE PURCHASED SEPARATELY - SEE DECALS SECTION. | |
| | 1001156188 | Ref | HOODS INSTALLATION | K |
| 1 | 0100011 | AR | Compound, Locking | |
| 2 | 0100081 | AR | Adhesive | |
| 3 | 0641408 | 12 | Bolt 1/4 x 1 | |
| 4 | 0641508 | 8 | Bolt 5/16 x 1 | |
| 5 | 0641607 | 4 | Bolt 3/8 x 7/8 | |
| 6 | 0641609 | 10 | Bolt 3/8 x 1-1/8 | |
| 7 | 0811812 | 8 | Bolt 1/2 x 2-1/4 | |
| 8 | 0940049 | 1 | Stopper, Hood | |
| 9 | 1120601 | 1 | Plug | |
| 10 | 1670842 | 1 | Cover, Turntable End | |
| 11 | 2080040 | 6 | Fastener | |
| 12 | 2940045 | 1 | Latch, Paddle | |
| 13 | 3300364 | 3 | Nut, Tinnerman 5/16 | |
| 14 | 3311405 | 4 | Nut 1/4 | |
| 15 | 3311501 | 2 | Nut 5/16 | |
| 16 | 3311605 | 30 | Nut 3/8 | |
| 17 | 3900210 | 3 | Screw 5/16 x 3/4 | |
| 18 | 3900316 | 7 | Screw 3/8 x 1 | |
| 19 | 3960389 | 4.2 ft /1.3m | Seal | |
| 20 | 4751400 | 12 | Washer 1/4 | |
| 21 | 4751500 | 13 | Washer 5/16 | |
| 22 | 4751600 | 69 | Washer 3/8 | |
| 23 | 1001110166 | 59 in/1.5m | Seal | |
| 24 | 1001113047 | 6.5 ft/2m | Seal | |
| 26 | 1001117234 | 1 | Bracket | |
| 27 | 1001117249 | 1 | Plate | |
| 28 | 1001117307 | 1 | Decal - Emergency Stop | |
| 31 | 1001250293 | 1 | Bracket, Striker | |
| 32 | 1001117598 | 1 | Door | |
| 33 | 1001158175 | 1 | Bracket, Hood Mounting | |
| 34 | 1001157867 | 1 | Bracket, Hood Mounting | |
| 37 | 1001150260 | 4 | Plate, Hinge | |
| 39 | 1001155899 | 1 | Plate, Spacer | |
| 40 | 1001157612 | 1 | Bracket, Hood Support | |
| 41 | 1001157726 | 1 | Bracket, Hood Support | |
| 43 | 1001158077 | 1 | Bracket, Spacer Panel | |
| 46 | 2080072 | 4 | Retainer, Bolt | |
| 47 | 88662523 | 4 | Nut, Tinnerman | |
| 48 | 3311601 | 10 | Nut 3/8 | |
| 53 | 4160194 | 4 | Spring, Gas | |
| 54 | 1001161089 | 1 | Bracket, Bumper | |
| 55 | 0811610 | 8 | Screw 3/8 x 1-1/4 | |
| 56 | 1001155895 | 1 | Mount, Hood | |
| 57 | 1001186251 | 4 | Plate, Hinge | |
| 58 | 8310070 | 8 | Nut 3/8 | |
| 59 | 0630485 | 8 | Bolt 3/8 x 1 | |

SECTION 2 - TURNTABLE

| ITEM | PART NUMBER | QTY | DESCRIPTION | REV |
|------|-------------|-----|--|-----|
| 60 | 1001186254 | 4 | Hinge | |
| 61 | 2940173 | 2 | Latch, Rotary | |
| 62 | 1001196768 | 1 | Mount, Hood | |
| 63 | 0641608 | 16 | Screw 3/8 x 1 | |
| 64 | 1001250292 | 1 | Bracket | |
| 65 | 1001243414 | 2 | Bolt 3/8 | |
| 66 | 4891600 | 8 | Washer 3/8 | |
| 100 | 1001174408 | 1 | Kit, Hood (Includes Items 101-104) | |
| 101 | 1001117219 | 1 | Hood, Fixed Engine Side | |
| 102 | 1001120962 | 1 | Hood, Fixed Tank Side | |
| 103 | 1001157209 | 1 | Hood Assembly - Tank Side (Includes Items 201-211) | |
| 104 | 1001157208 | 1 | Hood Assembly - Engine Side (Includes Items 201-211) (Note: Heat Shield must be transferred from original hood or replaced before putting machine back in service) | |
| 105 | 3250030 | 1 | Plug | |
| | 1001157208 | Ref | HOOD ASSEMBLY - ENGINE SIDE | D |
| 201 | 0100011 | AR | Compound, Locking | |
| 202 | 0700618 | 1 | Bolt M6 x 50 | |
| 203 | 2560187 | 1 | Handle, Push Button | |
| 204 | 3290601 | 1 | Nut M6 | |
| 205 | 3311505 | 3 | Nut 5/16 | |
| 206 | 3900210 | 3 | Screw 5/16 x 3/4 | |
| 207 | 3900363 | 2 | Screw M6 x 25 | |
| 208 | 4711500 | 3 | Washer 5/16 | |
| 209 | 1001116290 | 1 | Plate, Latch Mounting | |
| 211 | 4751400 | 2 | Washer 1/4 | |

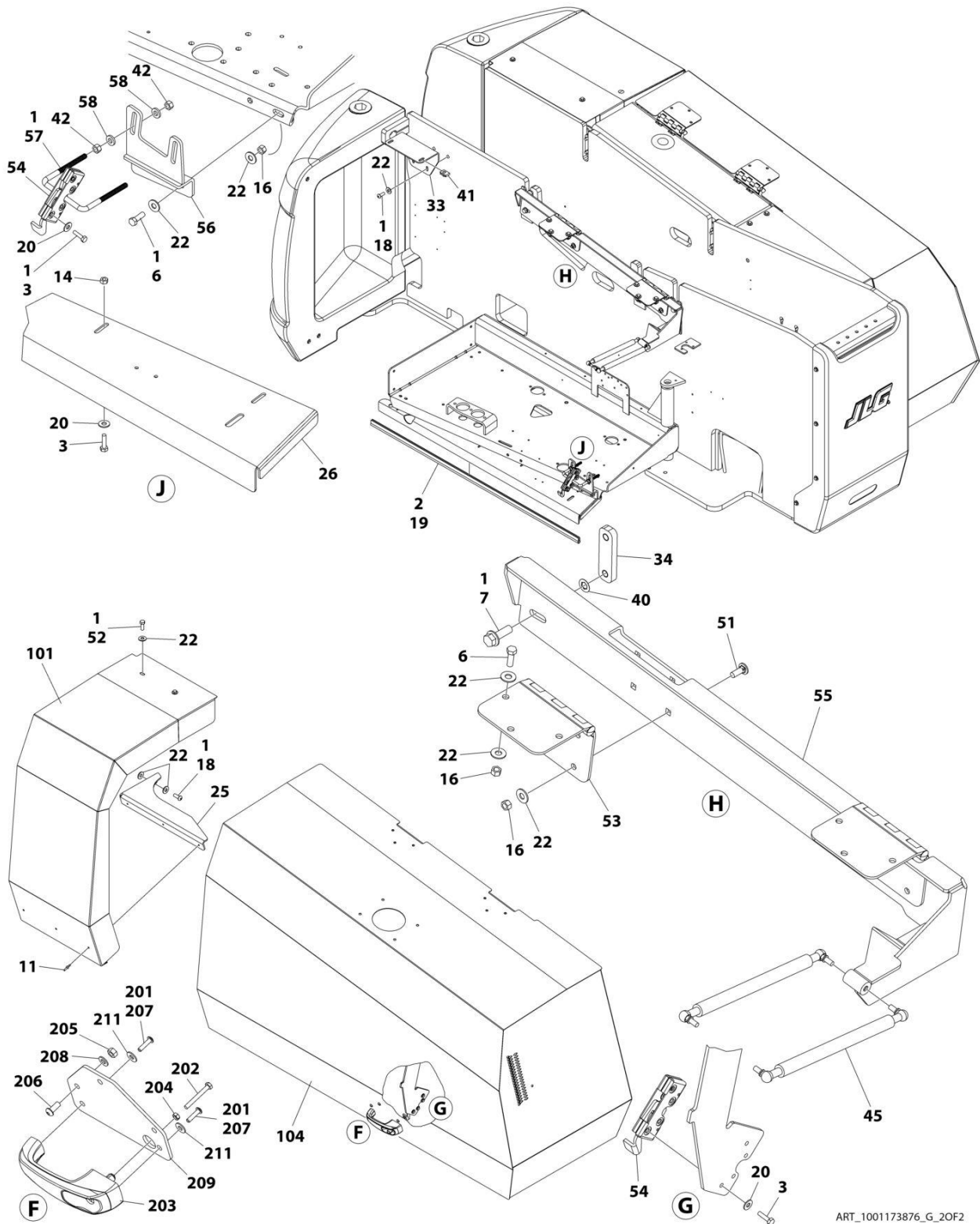
SECTION 2 - TURNTABLE

FIGURE 2-31. HOODS INSTALLATION - STEEL (DEUTZ TD2.9L4 ENGINES)



ART_1001173876_G_10F2

SECTION 2 - TURNTABLE



ART_1001173876_G_20F2

SECTION 2 - TURNTABLE

FIGURE 2-31. HOODS INSTALLATION - STEEL (DEUTZ TD2.9L4 ENGINES)

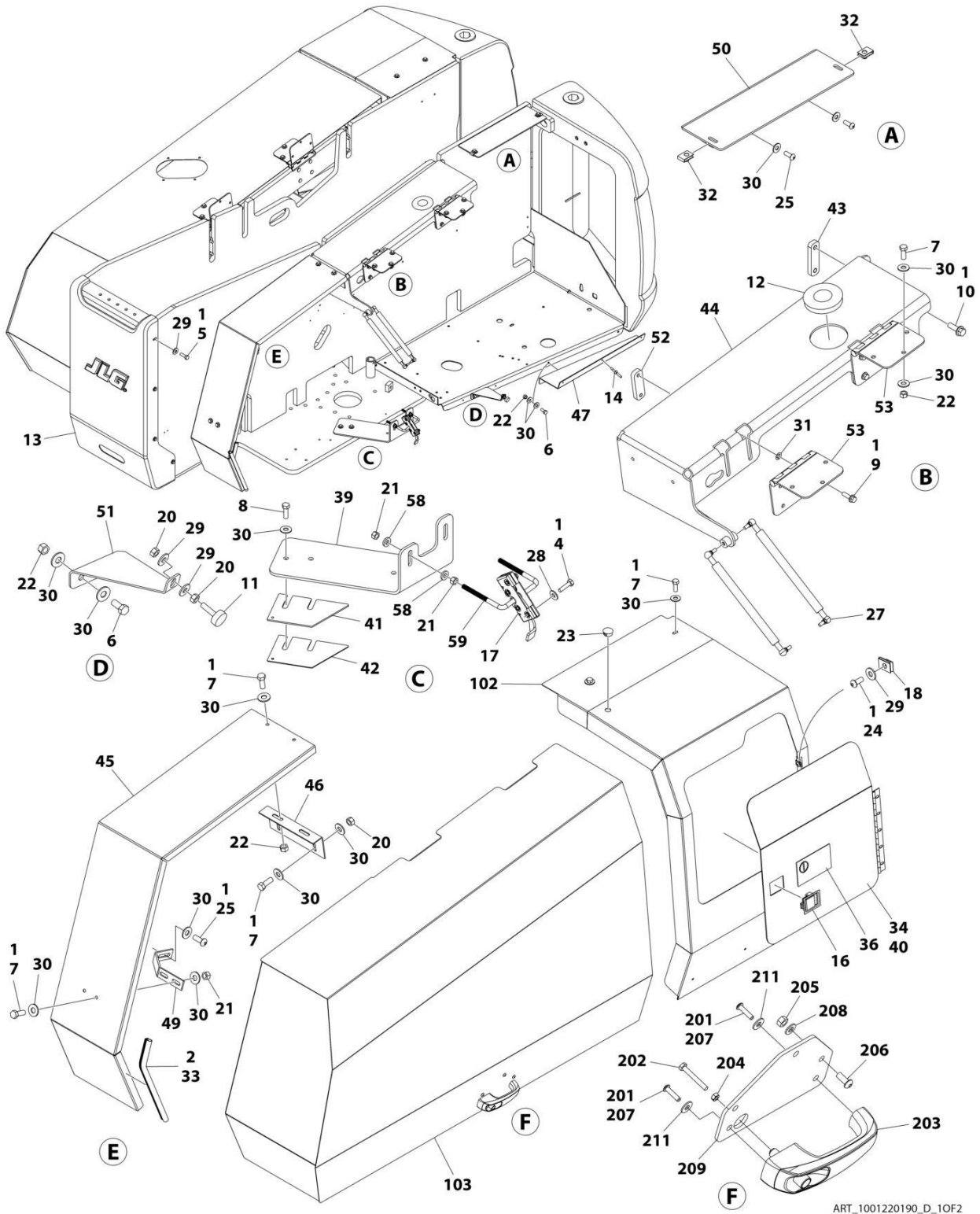
| ITEM | PART NUMBER | QTY | DESCRIPTION | REV |
|------|-------------|-----------------|---|-----|
| | | Ref | NOTE: REPLACEMENT DECALS MUST BE PURCHASED SEPARATELY - SEE DECALS SECTION. | |
| | 1001173876 | Ref | HOODS INSTALLATION (DEUTZ TD2.9L4 ENGINES MACHINES) | G |
| 1 | 0100011 | AR | Compound, Locking | |
| 2 | 0100081 | AR | Adhesive | |
| 3 | 0641408 | 12 | Bolt 1/4 x 1 | |
| 4 | 0641508 | 10 | Bolt 5/16 x 1 | |
| 5 | 0641607 | 2 | Bolt 3/8 x 7/8 | |
| 6 | 0641609 | 10 | Bolt 3/8 x 1-1/8 | |
| 7 | 0811812 | 8 | Bolt 1/2 x 2-1/4 | |
| 8 | 0940049 | 1 | Stopper, Hood | |
| 9 | 1120601 | 1 | Plug | |
| 10 | 1670842 | 1 | Cover, Turntable End | |
| 11 | 2080040 | 6 | Fastener | |
| 12 | 2940045 | 1 | Latch, Paddle | |
| 13 | 3300364 | 3 | Nut, Tinnerman 5/16 | |
| 14 | 3311405 | 4 | Nut 1/4 | |
| 15 | 3311501 | 4 | Nut 5/16 | |
| 16 | 3311605 | 24 | Nut 3/8 | |
| 17 | 3900210 | 3 | Screw 5/16 x 3/4 | |
| 18 | 3900316 | 7 | Screw 3/8 x 1 | |
| 19 | 3960389 | 4.2 ft /1.3m | Seal | |
| 20 | 4751400 | 12 | Washer 1/4 | |
| 21 | 4751500 | 15 | Washer 5/16 | |
| 22 | 4751600 | 57 | Washer 3/8 | |
| 23 | 1001110166 | 59 in/1.5m | Seal | |
| 24 | 1001113047 | 6.5 ft/2m | Seal | |
| 25 | 1001117234 | 1 | Bracket | |
| 26 | 1001117249 | 1 | Plate | |
| 27 | 1001117307 | 1 | Decal - Emergency Stop | |
| 30 | 1001250293 | 1 | Bracket, Striker | |
| 31 | 1001117598 | 1 | Door | |
| 32 | 1001158175 | 1 | Bracket, Hood Mounting | |
| 33 | 1001157867 | 1 | Bracket, Hood Mounting | |
| 34 | 1001150260 | 4 | Plate, Hinge | |
| 35 | 1001155899 | 1 | Plate, Spacer | |
| 36 | 1001157612 | 1 | Bracket, Hood Support | |
| 37 | 1001157726 | 1 | Bracket, Hood Support | |
| 39 | 1001158077 | 1 | Bracket, Spacer Panel | |
| 40 | 2080072 | 4 | Retainer, Bolt | |
| 41 | 88662523 | 4 | Nut, Tinnerman | |
| 42 | 3311601 | 12 | Nut 3/8 | |
| 45 | 4160194 | 4 | Spring, Gas | |
| 46 | 1001161089 | 1 | Bracket, Bumper | |
| 47 | 0811610 | 8 | Screw 3/8 x 1-1/4 | |
| 48 | 1001155895 | 1 | Mount, Hood | |
| 49 | 1001186251 | 4 | Plate, Hinge | |
| 50 | 8310070 | 8 | Nut 3/8 | |
| 51 | 0630485 | 8 | Bolt 3/8 x 1 | |

SECTION 2 - TURNTABLE

| ITEM | PART NUMBER | QTY | DESCRIPTION | REV |
|------|-------------|-----|--|-----|
| 52 | 0641608 | 14 | Bolt 3/8 x 1 | |
| 53 | 1001186254 | 4 | Hinge | |
| 54 | 2940173 | 2 | Latch, Rotary | |
| 55 | 1001196768 | 1 | Mount, Hood | |
| 56 | 1001250292 | 1 | Bracket | |
| 57 | 1001243414 | 2 | Bolt 3/8 | |
| 58 | 4891600 | 8 | Washer 3/8 | |
| 100 | 1001174277 | 1 | Kit, Hood (Includes Items 101-104) | |
| 101 | 1001117219 | 1 | Hood, Fixed Engine Side | |
| 102 | 1001120962 | 1 | Hood, Fixed Tank Side | |
| 103 | 1001157209 | 1 | Hood Assembly - Tank Side (Includes Items 201-211) | |
| 104 | 1001162915 | 1 | Hood Assembly - Engine Side (Includes Items 201-211) (Note: Heat Shield must be transferred from original hood or replaced before putting machine back in service) | |
| 105 | 3250030 | 1 | Plug | |
| | 1001162915 | Ref | HOOD ASSEMBLY - ENGINE SIDE | C |
| 201 | 0100011 | AR | Compound, Locking | |
| 202 | 0700618 | 1 | Bolt M6 x 50 | |
| 203 | 2560187 | 1 | Handle, Push Button | |
| 204 | 3290601 | 1 | Nut M6 | |
| 205 | 3311505 | 3 | Nut 5/16 | |
| 206 | 3900210 | 3 | Screw 5/16 x 3/4 | |
| 207 | 3900363 | 2 | Screw M6 x 25 | |
| 208 | 4711500 | 3 | Washer 5/16 | |
| 209 | 1001116290 | 1 | Plate, Latch Mounting | |
| 211 | 4751400 | 2 | Washer 1/4 | |

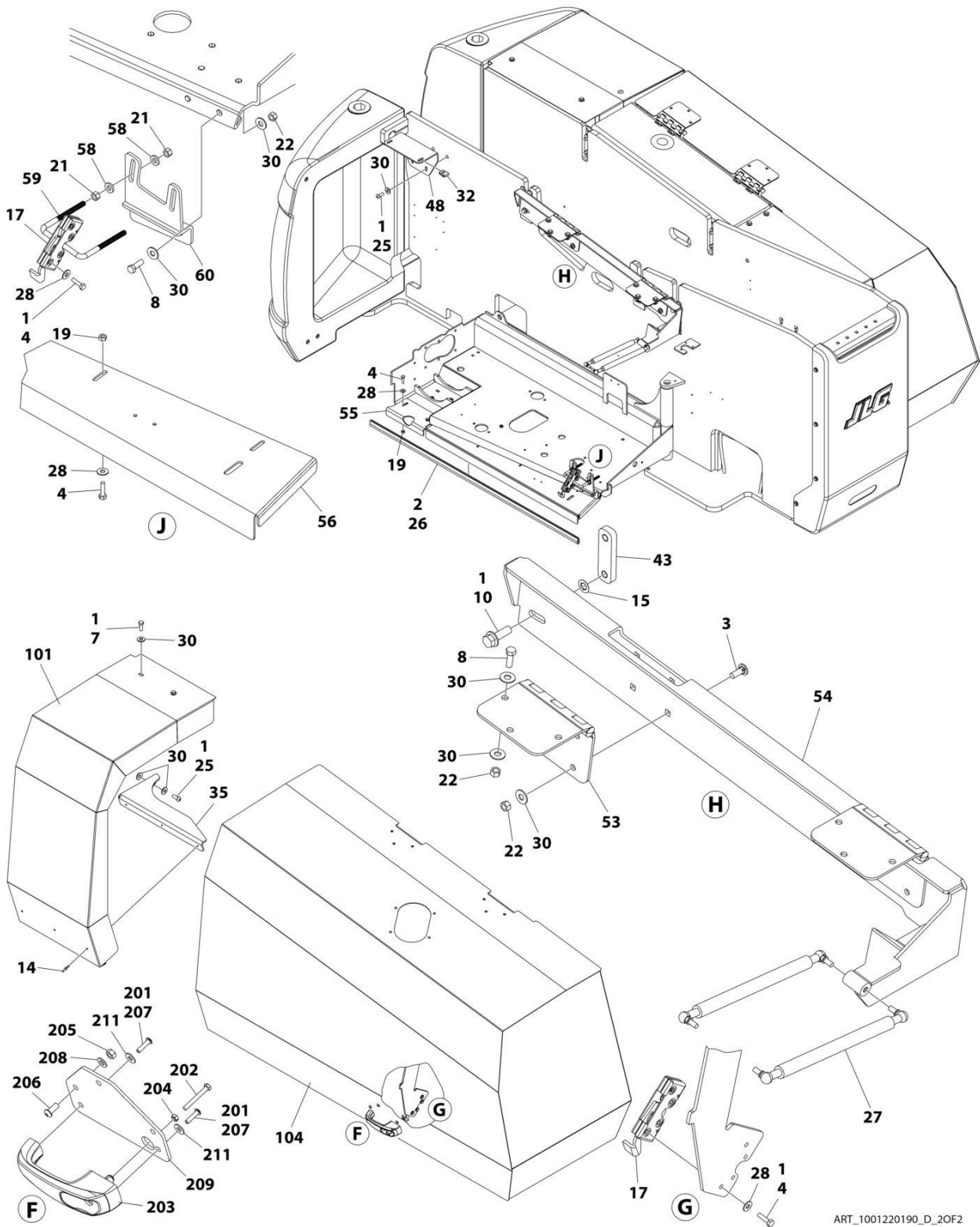
SECTION 2 - TURNTABLE

FIGURE 2-32. HOODS INSTALLATION - STEEL (FORD ENGINES)



ART_1001220190_D_10F2

SECTION 2 - TURNTABLE



ART_1001220190_D_20F2

SECTION 2 - TURNTABLE

FIGURE 2-32. HOODS INSTALLATION - STEEL (FORD ENGINES)

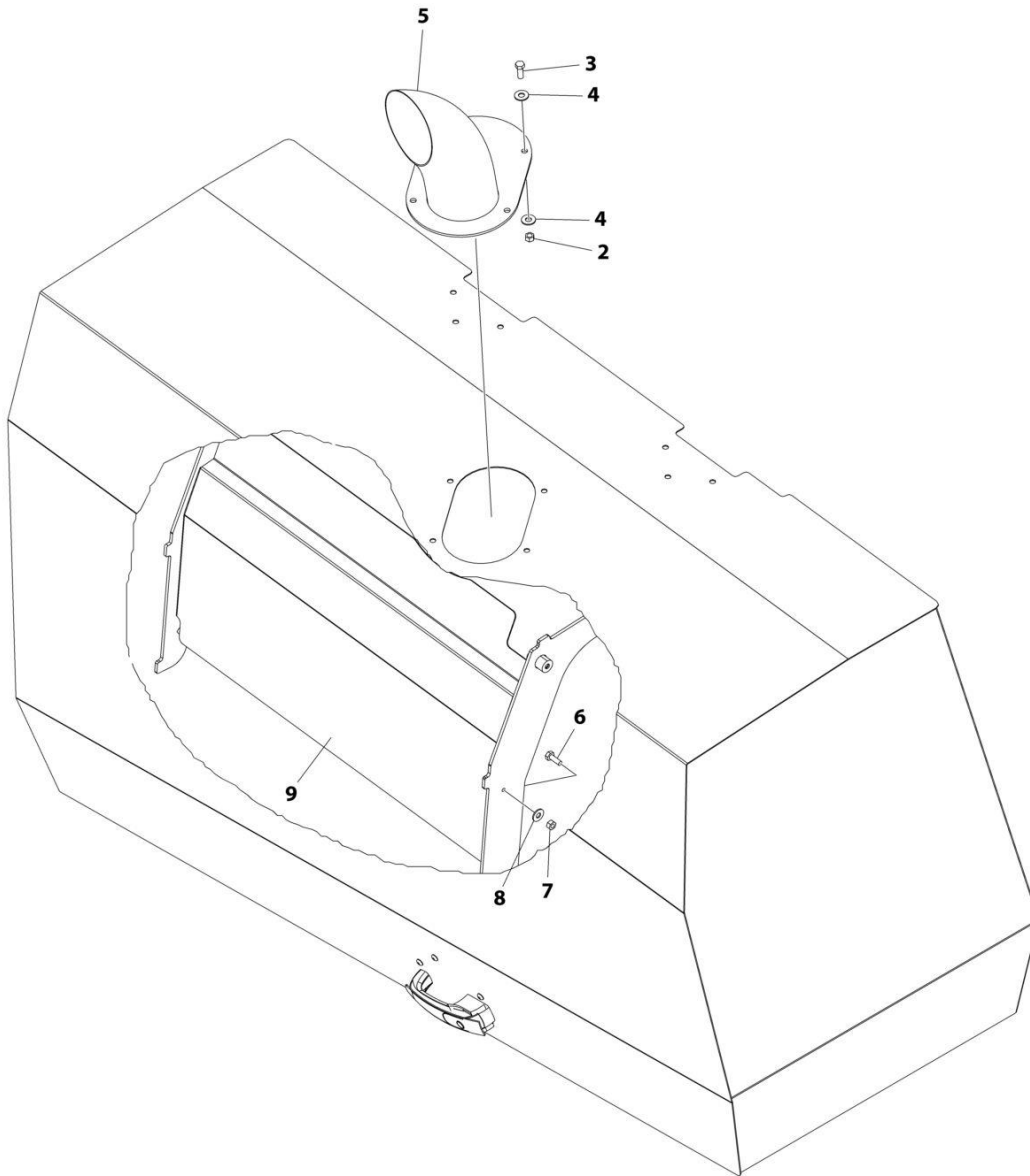
| ITEM | PART NUMBER | QTY | DESCRIPTION | REV |
|------|-------------|-----------------|---|-----|
| | | Ref | NOTE: REPLACEMENT DECALS MUST BE PURCHASED SEPARATELY - SEE DECALS SECTION. | |
| | 1001220190 | Ref | HOODS INSTALLATION (FORD ENGINES MACHINES) | D |
| 1 | 0100011 | AR | Compound, Locking | |
| 2 | 0100081 | AR | Adhesive | |
| 3 | 0630485 | 8 | Bolt 3/8 x 1 | |
| 4 | 0641408 | 13 | Bolt 1/4 x 1 | |
| 5 | 0641508 | 8 | Bolt 5/16 x 1 | |
| 6 | 0641607 | 4 | Bolt 3/8 x 7/8 | |
| 7 | 0641608 | 16 | Bolt 3/8 x 1 | |
| 8 | 0641609 | 12 | Bolt 3/8 x 1-1/8 | |
| 9 | 0811610 | 8 | Screw 3/8 x 1-1/4 | |
| 10 | 0811812 | 8 | Bolt 1/2 x 2-1/4 | |
| 11 | 0940049 | 1 | Stopper, Hood | |
| 12 | 1120601 | 1 | Plug | |
| 13 | 1670842 | 1 | Cover, Turntable End | |
| 14 | 2080040 | 6 | Fastener | |
| 15 | 2080072 | 4 | Retainer, Bolt | |
| 16 | 2940045 | 1 | Latch, Paddle | |
| 17 | 2940173 | 2 | Latch, Rotary | |
| 18 | 3300364 | 3 | Nut, Tinnerman 5/16 | |
| 19 | 3311405 | 5 | Nut 1/4 | |
| 20 | 3311501 | 2 | Nut 5/16 | |
| 21 | 3311601 | 10 | Nut 3/8 | |
| 22 | 3311605 | 30 | Nut 3/8 | |
| 23 | 3520030 | 1 | Plug | |
| 24 | 3900210 | 3 | Screw 5/16 x 3/4i | |
| 25 | 3900316 | 7 | Screw 3/8 x 1 | |
| 26 | 3960389 | 4.2 ft /1.3m | Seal | |
| 27 | 4160194 | 4 | Spring, Gas | |
| 28 | 4751400 | 13 | Washer 1/4 | |
| 29 | 4751500 | 13 | Washer 5/16 | |
| 30 | 4751600 | 69 | Washer 3/8 | |
| 31 | 8310070 | 8 | Nut 3/8 | |
| 32 | 88662523 | 4 | Nut, Tinnerman | |
| 33 | 1001110166 | 59 in/1.5m | Seal | |
| 34 | 1001113047 | 6.5 ft/2m | Seal | |
| 35 | 1001117234 | 1 | Bracket | |
| 36 | 1001117307 | 1 | Decal - Emergency Stop | |
| 39 | 1001250293 | 1 | Bracket, Striker | |
| 40 | 1001117598 | 1 | Door | |
| 41 | 1001121122 | AR | Shim 3 | |
| 42 | 1001121123 | AR | Shim 1.5 | |
| 43 | 1001150260 | 4 | Plate, Hinge | |
| 44 | 1001155895 | 1 | Mount, Hood | |
| 45 | 1001155899 | 1 | Plate, Spacer | |
| 46 | 1001157612 | 1 | Bracket, Hood Support | |
| 47 | 1001157726 | 1 | Bracket, Hood Support | |
| 48 | 1001157867 | 1 | Bracket, Hood Mounting | |

SECTION 2 - TURNTABLE

| ITEM | PART NUMBER | QTY | DESCRIPTION | REV |
|------|-------------|-----|---|-----|
| 49 | 1001158077 | 1 | Bracket, Spacer Panel | |
| 50 | 1001158175 | 1 | Bracket, Hood Mounting | |
| 51 | 1001161089 | 1 | Bracket, Bumper | |
| 52 | 1001186251 | 4 | Plate, Hinge | |
| 53 | 1001186254 | 4 | Hinge | |
| 54 | 1001196768 | 1 | Mount, Hood | |
| 55 | 1001220002 | 1 | Plate | |
| 56 | 1001220067 | 1 | Plate | |
| 58 | 4891600 | 4 | Washer 3/8 | |
| 59 | 1001243414 | 2 | Bolt 3/8 | |
| 60 | 1001250292 | 1 | Bracket | |
| 100 | 1001174408 | 1 | Kit, Hood (Includes Items 101-104) | |
| 101 | 1001117219 | 1 | Hood, Fixed Engine Side | |
| 102 | 1001120962 | 1 | Hood, Fixed Tank Side | |
| 103 | 1001157209 | 1 | Hood Assembly - Tank Side (Includes Items 201-211) | |
| 104 | 1001157208 | 1 | Hood Assembly - Engine Side (Includes Items 201-211) (Note: Heat Shield item 309 must be transferred from original hood or replaced before putting machine back in service) | |
| | 1001157208 | Ref | HOOD ASSEMBLY- ENGINE SIDE | D |
| 201 | 0100011 | AR | Compound, Locking | |
| 202 | 0700618 | 1 | Bolt M6 x 50 | |
| 203 | 2560187 | 1 | Handle, Push Button | |
| 204 | 3290601 | 1 | Nut M6 | |
| 205 | 3311505 | 3 | Nut 5/16 | |
| 206 | 3900210 | 3 | Screw 5/16 x 3/4 | |
| 207 | 3900363 | 2 | Screw M6 x 25 | |
| 208 | 4711500 | 3 | Washer 5/16 | |
| 209 | 1001116290 | 1 | Plate, Latch Mounting | |
| 211 | 4751400 | 2 | Washer 1/4 | |

SECTION 2 - TURNTABLE

FIGURE 2-33. EXHAUST COVER AND HEAT SHIELDS INSTALLATION - STEEL HOODS (DEUTZ D2011 ENGINES)



ART_1001158167

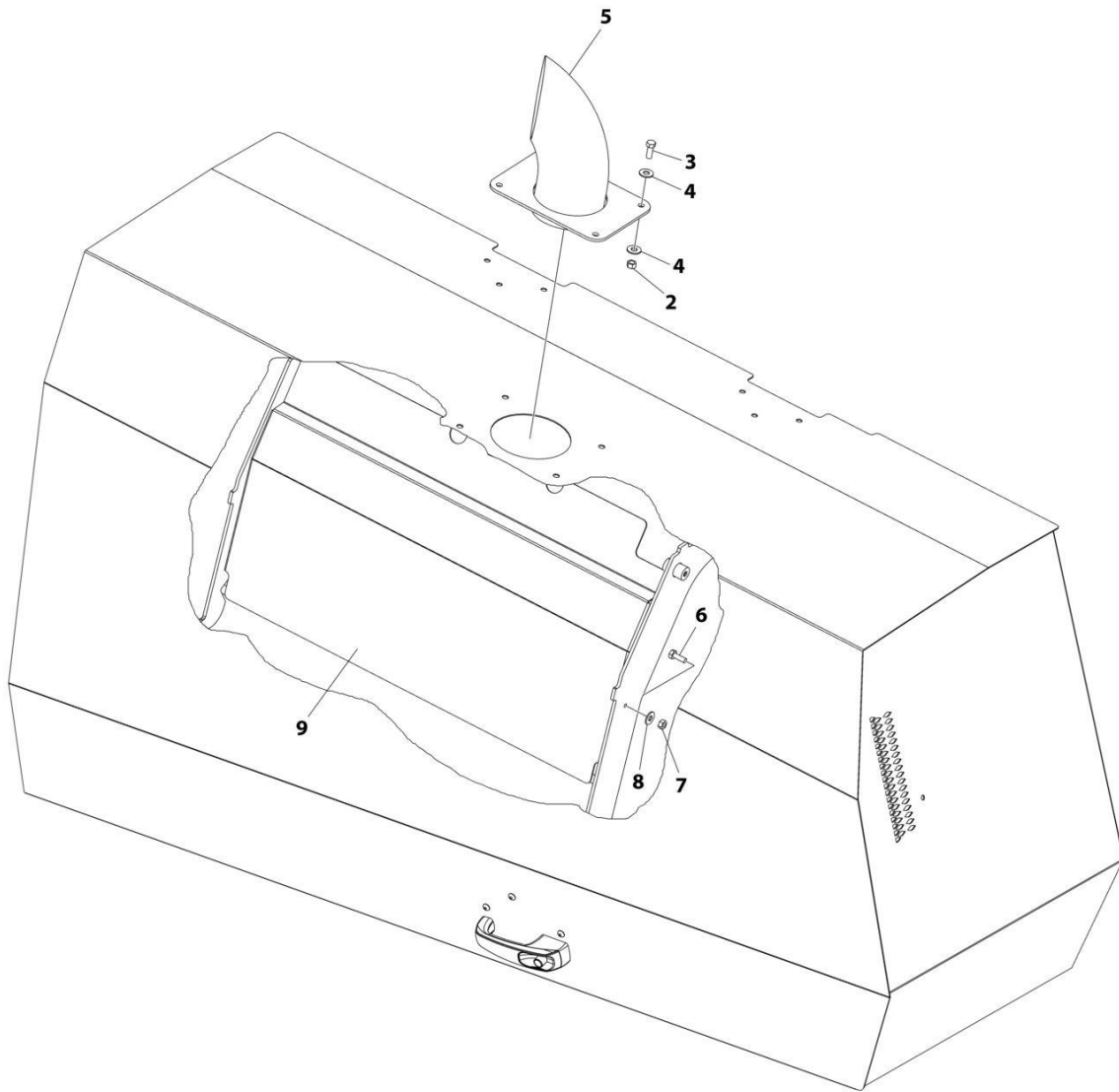
SECTION 2 - TURNTABLE

FIGURE 2-33. EXHAUST COVER AND HEAT SHIELDS INSTALLATION - STEEL HOODS (DEUTZ D2011 ENGINES)

| ITEM | PART NUMBER | QTY | DESCRIPTION | REV |
|------|-------------|-----|--------------------|-----|
| | 1001158167 | Ref | HOODS INSTALLATION | E |
| 2 | 3311605 | 4 | Nut 3/8 | |
| 3 | 0641608 | 4 | Bolt 3/8 x 1 | |
| 4 | 4751600 | 8 | Washer 3/8 | |
| 5 | 1001116456 | 1 | Pipe, Exhaust | |
| 6 | 0641406 | 3 | Bolt 1/4 x 3/4 | |
| 7 | 3311405 | 3 | Nut 1/4 | |
| 8 | 4751400 | 3 | Washer 1/4 | |
| 9 | 1001150561 | 1 | Shield, Heat | |

SECTION 2 - TURNTABLE

FIGURE 2-34. EXHAUST COVER AND HEAT SHIELDS INSTALLATION - STEEL HOODS (DEUTZ TD2.9L4 ENGINES)



ART_1001173878

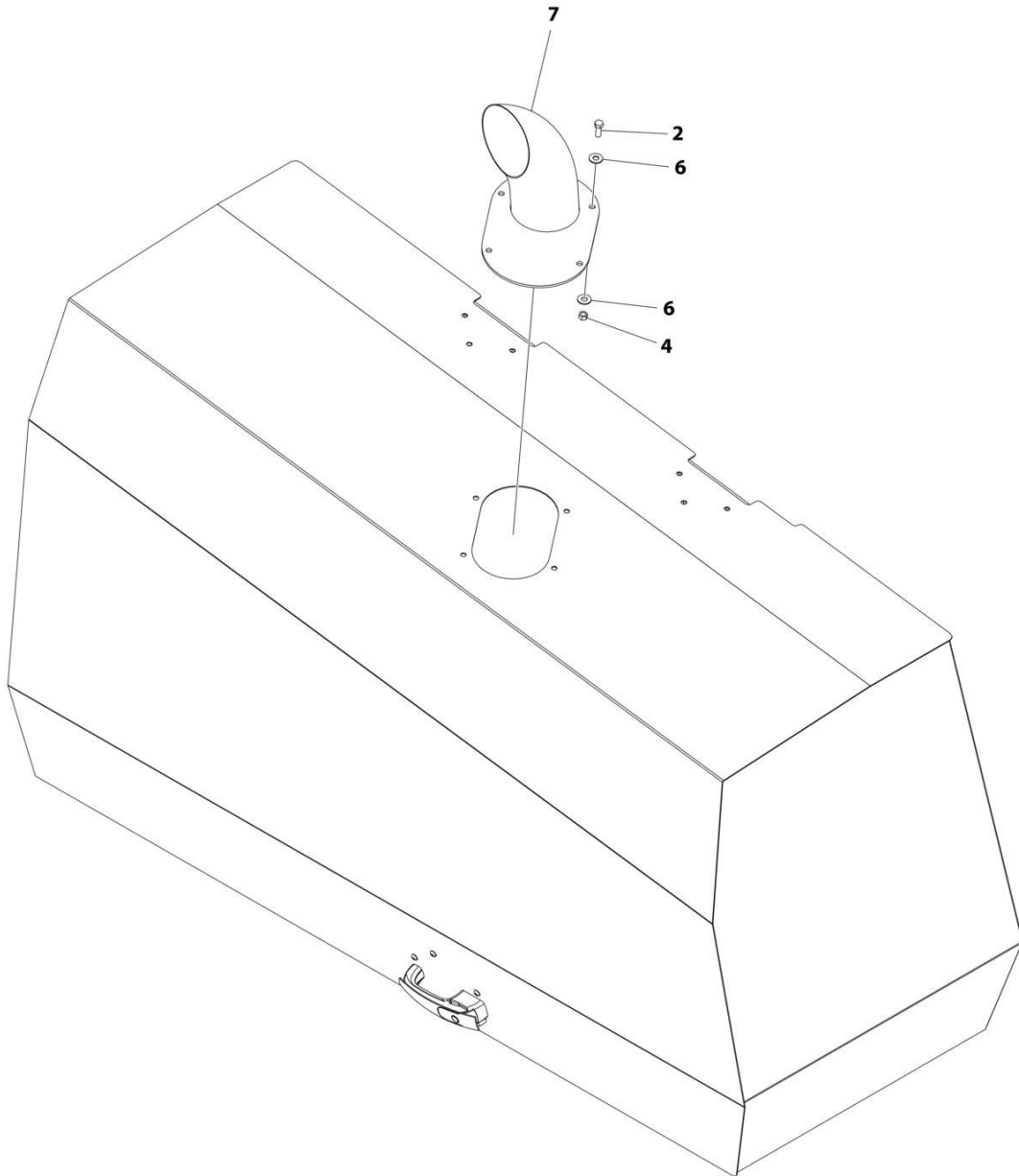
SECTION 2 - TURNTABLE

FIGURE 2-34. EXHAUST COVER AND HEAT SHIELDS INSTALLATION - STEEL HOODS (DEUTZ TD2.9L4 ENGINES)

| ITEM | PART NUMBER | QTY | DESCRIPTION | REV |
|------|-------------|-----|--------------------|-----|
| | 1001173878 | Ref | HOODS INSTALLATION | C |
| 2 | 3311605 | 4 | Nut 3/8 | |
| 3 | 0641608 | 4 | Bolt 3/8 x 1 | |
| 4 | 4751600 | 8 | Washer 3/8 | |
| 5 | 1001144527 | 1 | Pipe, Exhaust | |
| 6 | 0641406 | 3 | Bolt 1/4 x 3/4 | |
| 7 | 3311405 | 3 | Nut 1/4 | |
| 8 | 4751400 | 3 | Washer 1/4 | |
| 9 | 1001163101 | 1 | Shield, Heat | |

SECTION 2 - TURNTABLE

FIGURE 2-35. EXHAUST COVER INSTALLATION - STEEL HOODS (FORD ENGINES)



ART_1001220189

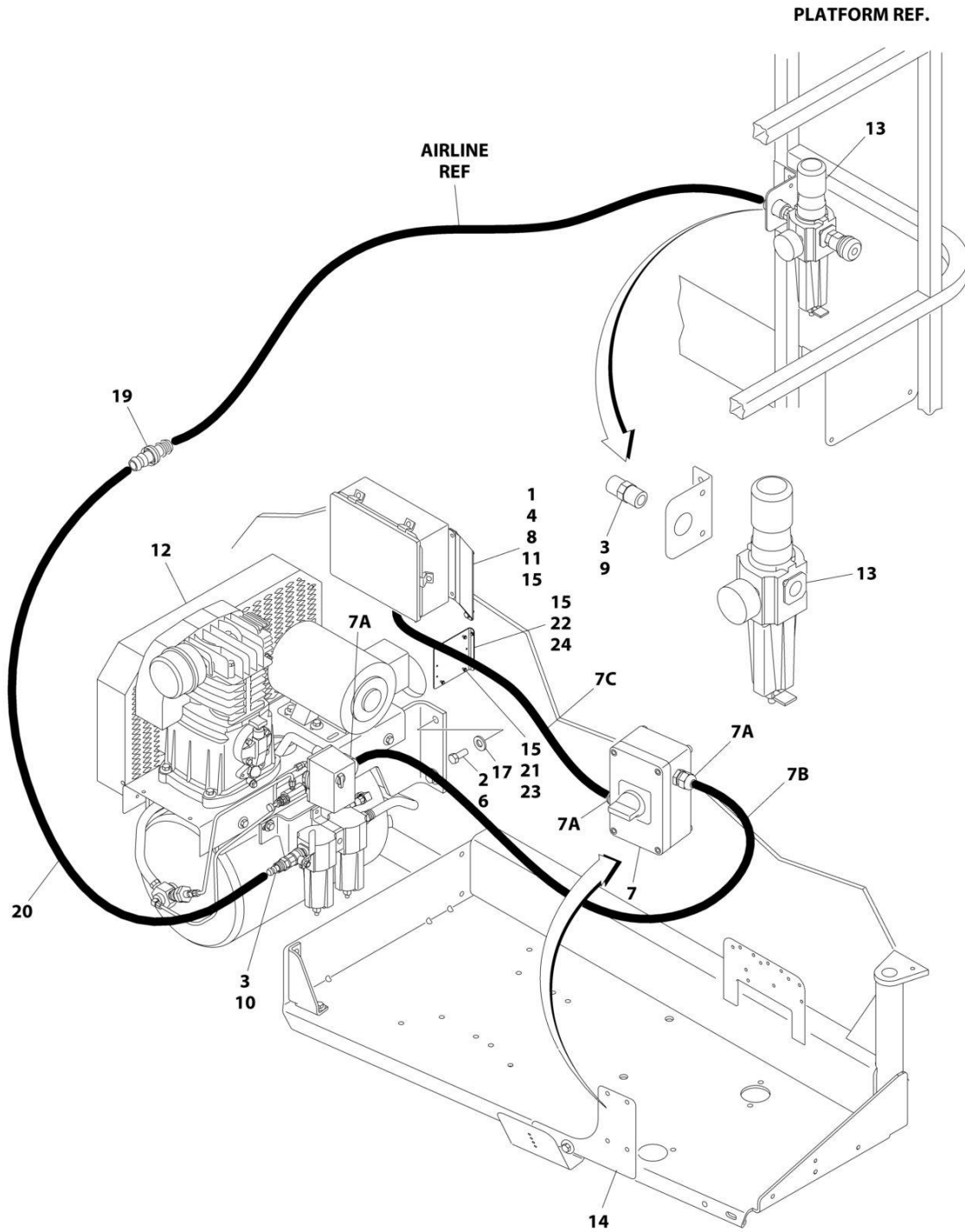
SECTION 2 - TURNTABLE

FIGURE 2-35. EXHAUST COVER INSTALLATION - STEEL HOODS (FORD ENGINES)

| ITEM | PART NUMBER | QTY | DESCRIPTION | REV |
|------|-------------|-----|--------------------|-----|
| | 1001220189 | Ref | HOODS INSTALLATION | C |
| 2 | 0641608 | 4 | Bolt 3/8 x 1 | |
| 4 | 3311605 | 4 | Nut 3/8 | |
| 6 | 4751600 | 8 | Washer 3/8 | |
| 7 | 1001116457 | 1 | Pipe, Exhaust | |

SECTION 2 - TURNTABLE

FIGURE 2-36. SKYAIR AIR COMPRESSOR INSTALLATION



ART_0274031

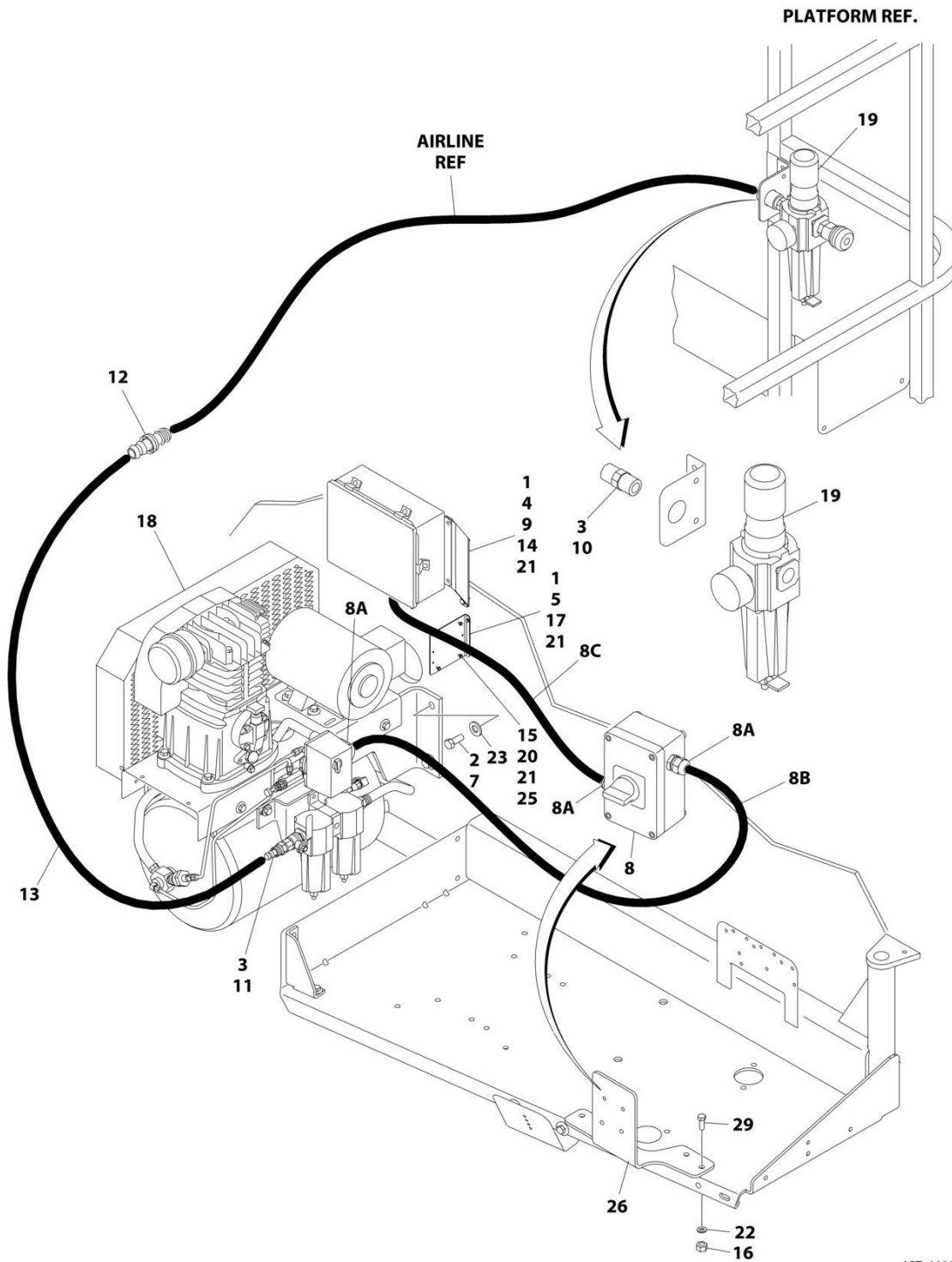
SECTION 2 - TURNTABLE

FIGURE 2-36. SKYAIR AIR COMPRESSOR INSTALLATION

| ITEM | PART NUMBER | QTY | DESCRIPTION | REV |
|------|-------------|-----|--|-----|
| | 0274031 | Ref | SKYAIR AIR COMPRESSOR INSTALLATION | D |
| 1 | 0100011 | AR | Compound, Locking | |
| 2 | 0100019 | AR | Compound, Locking | |
| 3 | 0100020 | 3 | Sealant | |
| 4 | 0641405 | 4 | Bolt 1/4 x 5/8 | |
| 6 | 0641810 | 4 | Bolt 1/2 x 1-1/4 | |
| 7 | 0861642 | 1 | Control Box Assembly | |
| 7A | 4460633 | 3 | Connector, Strain Relief | |
| 7B | 70002948 | AR | Cable, Electrical - 12/4 (13ft/4m) | |
| 7C | 70002948 | AR | Cable, Electrical - 12/4 (30in/76cm) | |
| 8 | 0903088 | 2 | Bracket, Generator Box | |
| 9 | 2220252 | 1 | Fitting, Adapter NPT | |
| 10 | 2220750 | 1 | Fitting | |
| 11 | 3300454 | 4 | Nut, Tinnerman 1/4 | |
| 12 | 3600386 | 1 | Air Compressor Assembly (See Separate Breakdown in this section) | |
| 13 | 3720021 | 1 | Filter/Regulator Assembly | |
| 13 | 7027781 | 1 | Service Kit (Includes Gaskets and Seals) | |
| 13 | 7027782 | 1 | Filter | |
| 13 | 7027784 | 1 | Gauge | |
| 13 | 7027783 | 1 | Valve, Drain | |
| 14 | 4340747 | 1 | Bracket, Control Box | |
| 15 | 4711400 | 14 | Washer 1/4 | |
| 17 | 4751800 | 4 | Washer 1/2 | |
| 19 | 2221037 | 1 | Fitting, Barbed | |
| 20 | 2720545 | 1 | Hose, Air | |
| 21 | 0641409 | 4 | Bolt 1/4 x 1-1/8 | |
| 22 | 0641410 | 2 | Bolt 1/4 x 1-1/4 | |
| 23 | 3311405 | 4 | Nut 1/4 | |
| 24 | 3575874 | 1 | Bracket, Module | |
| 25 | 4460428 | 1 | Connector | |

SECTION 2 - TURNTABLE

FIGURE 2-37. SKYAIR AIR COMPRESSOR INSTALLATION



ART_1001144438

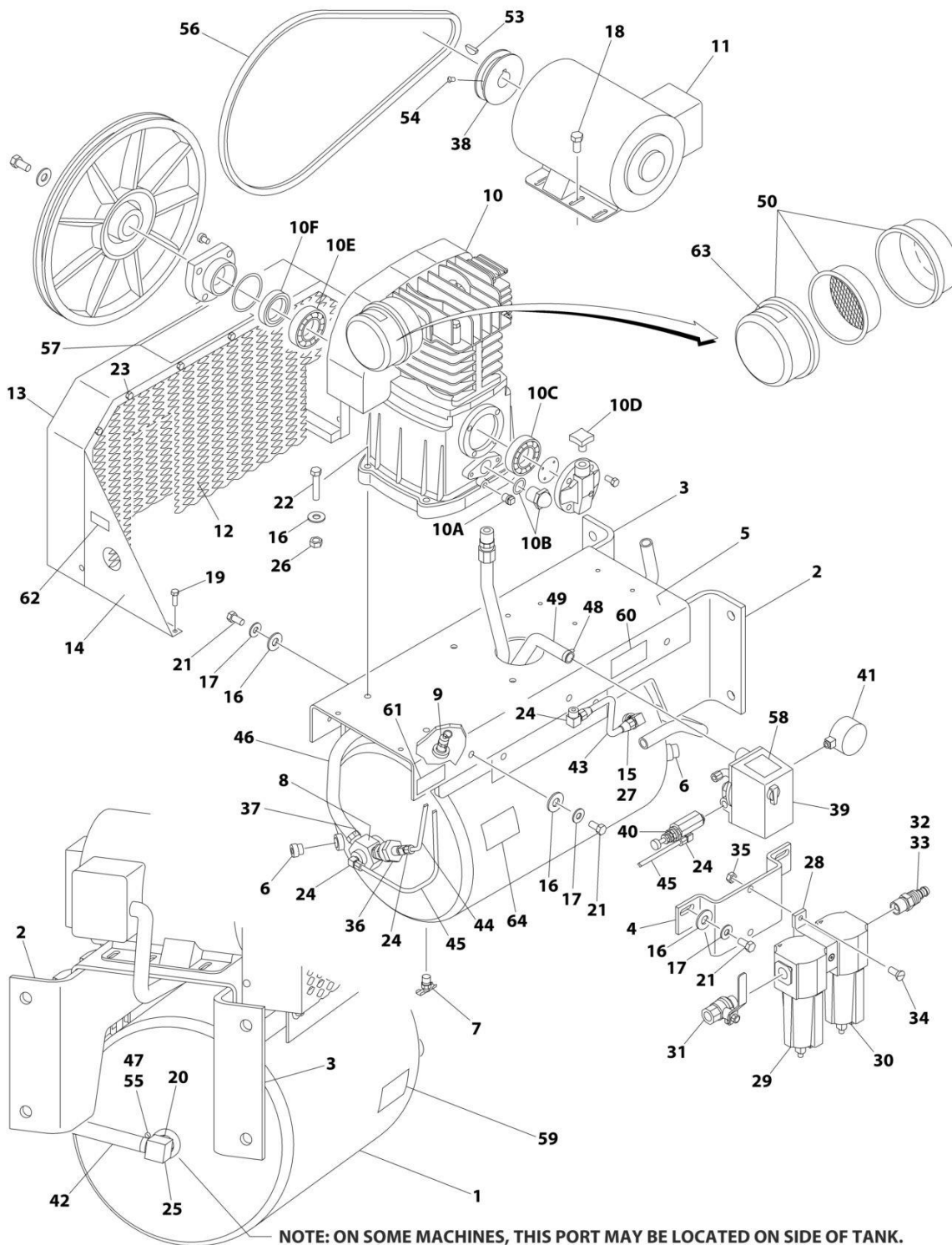
SECTION 2 - TURNTABLE

FIGURE 2-37. SKYAIR AIR COMPRESSOR INSTALLATION

| ITEM | PART NUMBER | QTY | DESCRIPTION | REV |
|------|-------------|-----|--|-----|
| | 1001144438 | Ref | SKYAIR AIR COMPRESSOR INSTALLATION | B |
| 1 | 0100011 | AR | Compound, Locking | |
| 2 | 0100019 | AR | Compound, Locking | |
| 3 | 0100020 | AR | Sealant | |
| 4 | 0641405 | 4 | Bolt 1/4 x 5/8 | |
| 5 | 0641410 | 2 | Bolt 1/4 x 1-1/4 | |
| 7 | 0641810 | 4 | Bolt 1/2 x 1-1/4 | |
| 8 | 0861642 | 1 | Control Box Assembly | |
| 8A | 4460633 | 3 | Connector, Strain Relief | |
| 8B | 70002948 | AR | Cable, Electrical - 12/4 (13ft/4m) | |
| 8C | 70002948 | AR | Cable, Electrical - 12/4 (30in/76cm) | |
| 9 | 0903088 | 2 | Bracket, Generator Box | |
| 10 | 2220252 | 1 | Fitting, Adapter NPT | |
| 11 | 2220750 | 1 | Fitting | |
| 12 | 2221037 | 1 | Fitting, Barbed | |
| 13 | 2720545 | 1 | Hose, Air | |
| 14 | 3300454 | 4 | Nut, Tinnerman 1/4 | |
| 15 | 3311405 | 4 | Nut 1/4 | |
| 16 | 3311605 | 3 | Nut 3/8 | |
| 17 | 3575874 | 1 | Bracket, Module | |
| 18 | 3600386 | 1 | Air Compressor Assembly (See Separate Breakdown in this Section) | |
| 19 | 3720021 | 1 | Filter/Regulator Assembly | |
| 19 | 7027781 | 1 | Service Kit (Includes Gaskets and Seals) | |
| 19 | 7027782 | 1 | Filter | |
| 19 | 7027784 | 1 | Gauge | |
| 19 | 7027783 | 1 | Valve, Drain | |
| 20 | 3931424 | 4 | Capscrew 1/4 x 1-1/2 | |
| 21 | 4711400 | 14 | Washer 1/4 | |
| 22 | 4711600 | 4 | Washer 3/8 | |
| 23 | 4751800 | 4 | Washer 1/2 | |
| 25 | 1001110425 | 4 | Spacer | |
| 26 | 1001144447 | 1 | Bracket, Control Box | |
| 27 | 0641606 | 1 | Bolt 3/8 x 3/4 (Not Shown) | |
| 28 | 8406201 | 1 | Clip (Not Shown) | |
| 29 | 0641609 | 3 | Bolt 3/8 X 1-1/8 | |

SECTION 2 - TURNTABLE

FIGURE 2-38. AIR COMPRESSOR ASSEMBLY



ART_3600386

SECTION 2 - TURNTABLE

FIGURE 2-38. AIR COMPRESSOR ASSEMBLY

| ITEM | PART NUMBER | QTY | DESCRIPTION | REV |
|------|-------------|-----|--|-----|
| | 3600386 | Ref | AIR COMPRESSOR ASSEMBLY | B |
| 1 | 7026632 | 1 | Tank | |
| 2 | See Note | 1 | Bracket, Mounting (Note: Not Available for Purchase) | |
| 3 | See Note | 1 | Bracket, Mounting (Note: Not Available for Purchase) | |
| 4 | See Note | 1 | Bracket, Regulator Mounting (Note: Not Available for Purchase) | |
| 5 | See Note | 1 | Deck (Note: Not Available for Purchase) | |
| 6 | See Note | 2 | Plug (Note: Not Available for Purchase) | |
| 7 | 7026633 | 1 | Valve, Drain | |
| 8 | 7026634 | 1 | Valve, Check | |
| 9 | 7026635 | 1 | Valve, Safety | |
| 10 | 7026636 | 1 | Pump Assembly | |
| 10 | 7026659 | 1 | Gasket and Seal Kit | |
| 10A | 7026651 | 1 | Plug, Oil Drain | |
| 10B | 7026652 | 1 | Gauge, Oil Sight | |
| 10C | 7026653 | 1 | Bearing | |
| 10D | 7026654 | 1 | Cap, Oil Fill | |
| 10E | 7026655 | 1 | Bearing | |
| 10F | 7026656 | 1 | Seal | |
| 11 | 7026637 | 1 | Motor Assembly | |
| 11 | See Note | 1 | Brush Kit (Note: Not Available for Purchase) | |
| 12 | See Note | 1 | Screen, Inner (Note: Not Available for Purchase) | |
| 13 | See Note | 1 | Guard, Belt (Note: Not Available for Purchase) | |
| 14 | See Note | 2 | Support (Note: Not Available for Purchase) | |
| 15 | See Note | 1 | Bushing (Note: Not Available for Purchase) | |
| 16 | 4751600 | 18 | Washer 3/8 | |
| 17 | 4761600 | 10 | Washer 3/8 | |
| 18 | 0641506 | 4 | Bolt 5/16 x 3/4 | |
| 19 | 0641406 | 8 | Bolt 1/4 x 3/4 | |
| 20 | See Note | 1 | Bushing (Note: Not Available for Purchase) | |
| 21 | 0641610 | 10 | Bolt 3/8 x 1-1/4 | |
| 22 | 0641616 | 4 | Bolt 3/8 x 2 | |
| 23 | See Note | 10 | Bolt 1/4 x 1/2 (Note: Not Available for Purchase) | |
| 24 | See Note | 4 | Fitting (Note: Not Available for Purchase) | |
| 25 | See Note | 1 | Fitting, Barbed (Note: Not Available for Purchase) | |
| 26 | 3311605 | 4 | Nut 3/8 | |
| 27 | See Note | 1 | Fitting, Compression (Note: Not Available for Purchase) | |
| 28 | See Note | 1 | Bracket, Mounting (Note: Not Available for Purchase) | |
| 29 | 7026660 | 1 | Filter, Oil Removal | |
| 30 | 7026661 | 1 | Filter, Water Removal | |
| 31 | 70001663 | 1 | Valve, Ball Shut-Off | |
| 32 | See Note | 1 | Bushing (Note: Not Available for Purchase) | |
| 33 | See Note | 1 | Fitting, Barbed (Note: Not Available for Purchase) | |
| 34 | See Note | 2 | Screw 1/4 x 1 (Note: Not Available for Purchase) | |
| 35 | 3311405 | 2 | Nut 1/4 | |
| 36 | See Note | 1 | Unloader (Note: Not Available for Purchase) | |
| 37 | See Note | 1 | Fitting (Note: Not Available for Purchase) | |
| 38 | See Note | 1 | Pulley (Note: Not Available for Purchase) | |
| 39 | 7026638 | 1 | Switch, Pressure | |
| 40 | 7026639 | 1 | Vale, Pilot | |
| 41 | 7026640 | 1 | Gauge | |

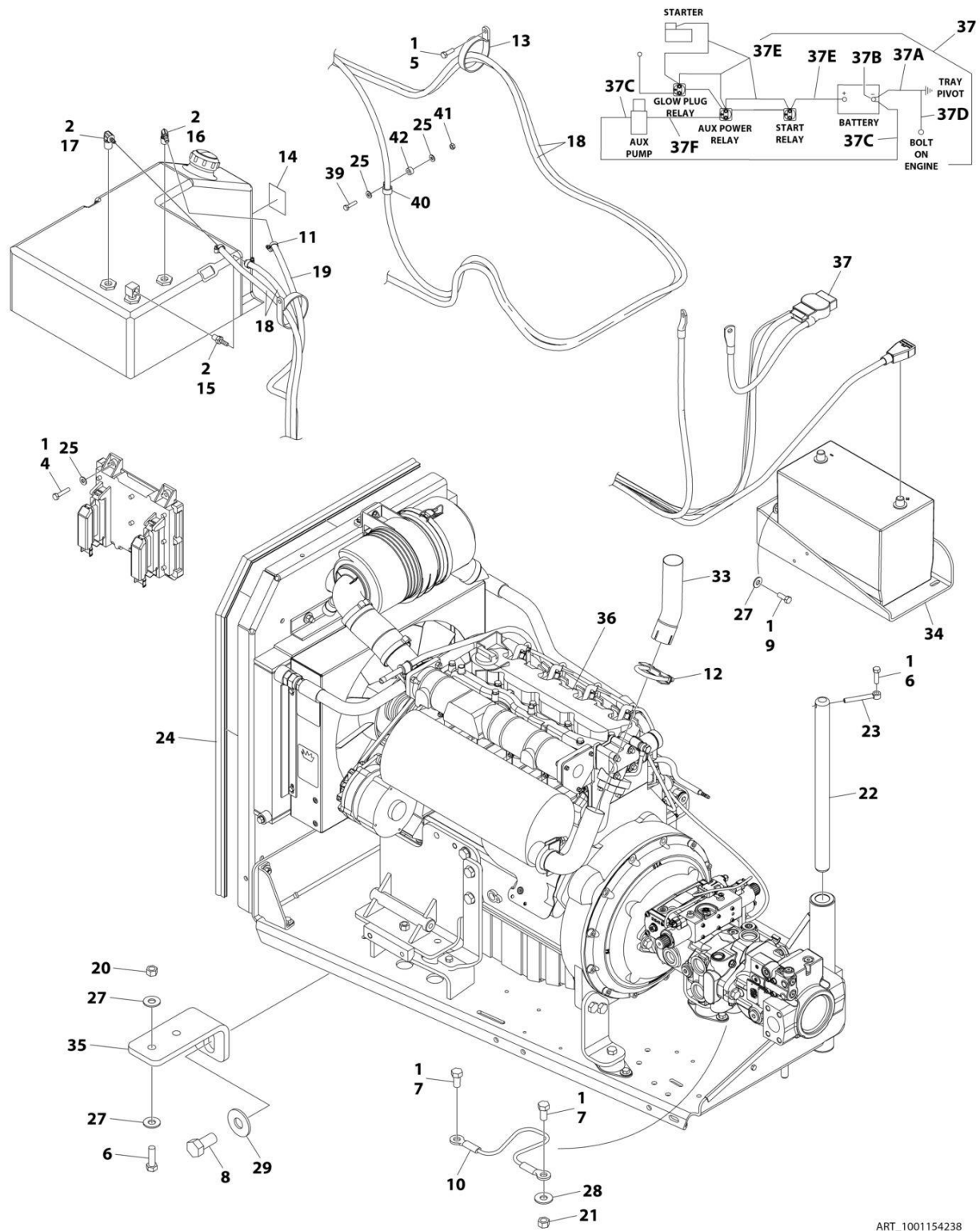
SECTION 2 - TURNTABLE

| ITEM | PART NUMBER | QTY | DESCRIPTION | REV |
|------|-------------|-------|---|-----|
| 42 | See Note | 1 | Hose (Note: Not Available for Purchase) | |
| 43 | See Note | 1 | Tube, Feed (Note: Not Available for Purchase) | |
| 44 | See Note | 1 | Tube (Note: Not Available for Purchase) | |
| 45 | See Note | 1 | Tube (Note: Not Available for Purchase) | |
| 46 | See Note | 1 | Aftercooler (Note: Not Available for Purchase) | |
| 47 | See Note | 2 | Clamp (Note: Not Available for Purchase) | |
| 48 | See Note | 2 | Clamp (Note: Not Available for Purchase) | |
| 49 | See Note | 1 | Harness, Wiring (Note: Not Available for Purchase) | |
| 50 | 7026658 | 1 | Filter Assembly | |
| 50 | 7026641 | 1 | Element, Filter | |
| 51 | See Note | 23 oz | Oil, Compressor (Note: Not Available for Purchase) | |
| 52 | 0100020 | AR | Sealant | |
| 53 | See Note | 1 | Key (Note: Not Available for Purchase) | |
| 54 | See Note | 2 | Setscrew (Note: Not Available for Purchase) | |
| 55 | See Note | 2 | Cover, Clamp End (Note: Not Available for Purchase) | |
| 56 | 7026642 | 1 | Belt | |
| 57 | 7026643 | 1 | Decal - Unit Warning | |
| 58 | 7026644 | 1 | Decal - Pressure Switch Warning | |
| 59 | 7026645 | 1 | Decal - Drain Tank Warning | |
| 60 | 7026646 | 1 | Decal - Compressor Maintenance | |
| 61 | 7026647 | 1 | Decal - Initial Oil Fill | |
| 62 | 7026648 | 1 | Decal - Hot Surfaces Warning | |
| 63 | 7026649 | 1 | Decal - Paper Element Cleaning | |
| 64 | 7026650 | 1 | Decal - Dual Control | |

SECTION 3 - ENGINE

SECTION 3 - ENGINE

FIGURE 3-1. DEUTZ D2011 ENGINE INSTALLATION (WITHOUT ARCTIC PACKAGE)



ART_1001154238

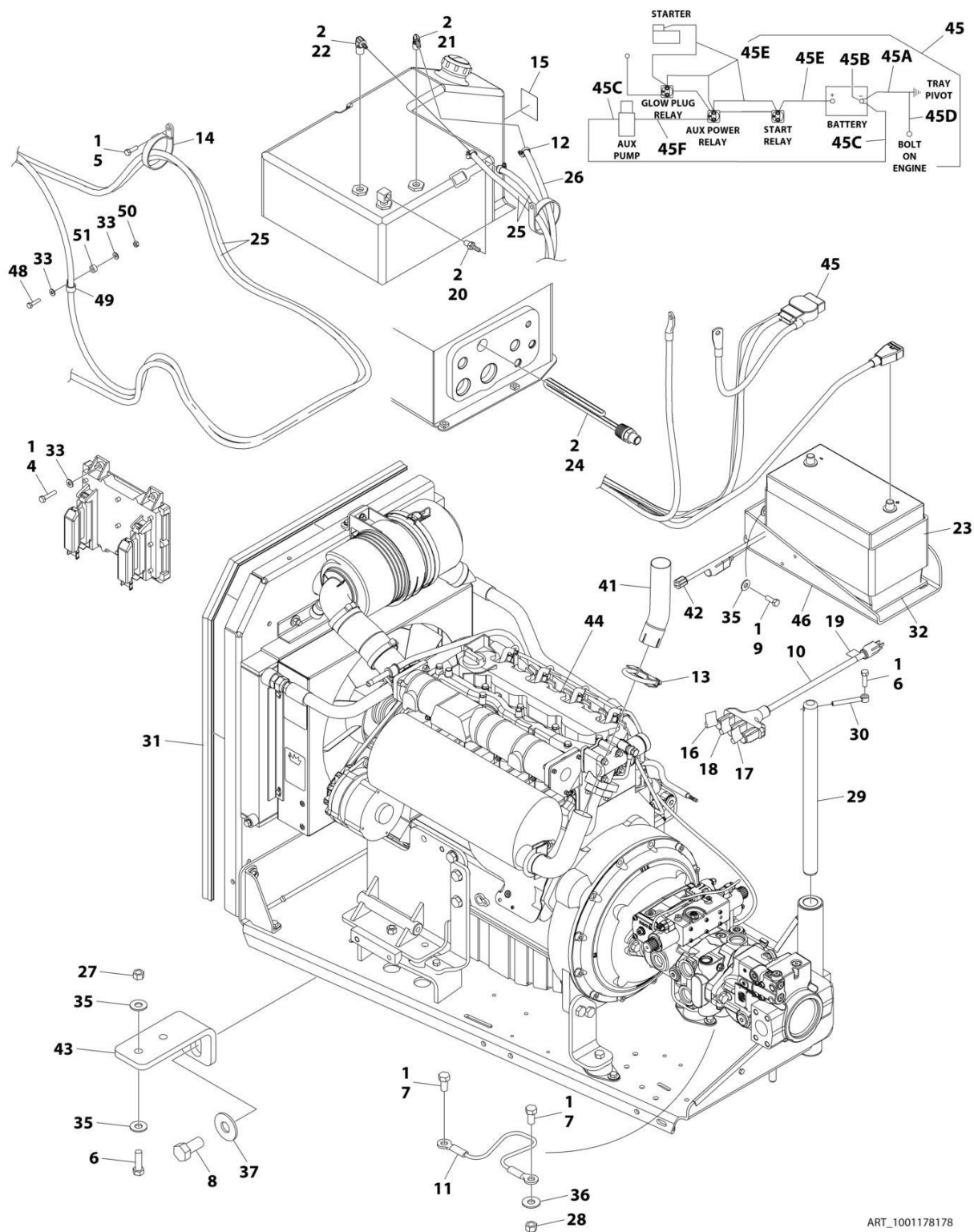
SECTION 3 - ENGINE

FIGURE 3-1. DEUTZ D2011 ENGINE INSTALLATION (WITHOUT ARCTIC PACKAGE)

| ITEM | PART NUMBER | QTY | DESCRIPTION | REV |
|------|-------------|------------|--|-----|
| | 1001154238 | Ref | DEUTZ D2011 ENGINE INSTALLATION (WITHOUT ARCTIC PACKAGE) | F |
| 1 | 0100011 | AR | Compound, Locking | |
| 2 | 0100020 | AR | Sealant, Pipe | |
| 4 | 0641410 | 4 | Bolt 1/4 x 1-1/4 | |
| 5 | 0641508 | 1 | Bolt 5/16 x 1 | |
| 6 | 0641610 | 3 | Bolt 3/8 x 1-1/4 | |
| 7 | 0641808 | 2 | Bolt 1/2 x 1 | |
| 8 | 0642010 | 1 | Bolt 5/8 x 1-1/4 | |
| 9 | 0681608 | 3 | Bolt 3/8 x 1 Grade 8 | |
| 10 | 1060637 | 1 | Cable, Lanyard | |
| 11 | 1320022 | 5 | Clamp, Hose | |
| 12 | 1320176 | 1 | Clamp | |
| 13 | 1321339 | 1 | Clamp | |
| 14 | 1701505 | 1 | Decal - Diesel (Not Shown - Located on Hood) | |
| 15 | 2180348 | 1 | Fitting, Straight NPT/Barbed | |
| 16 | 2220313 | 1 | Fitting, 90 NPT/Barbed | |
| 17 | 2221176 | 1 | Fitting, 90 NPT/Barbed | |
| 18 | 2720058 | 30 ft/ 9m | Hose | |
| 19 | 2750532 | 6 ft/ 1.8m | Hose | |
| 20 | 3311605 | 2 | Nut 3/8 | |
| 21 | 3311801 | 1 | Nut 1/2 | |
| 22 | 3422446 | 1 | Pin, Pivot | |
| 23 | 3841143 | 1 | Pin, Keeper | |
| 24 | 3960389 | 5 ft/ 1.5m | Seal | |
| 25 | 4711400 | 6 | Washer 1/4 | |
| 27 | 4751600 | 7 | Washer 3/8 | |
| 28 | 4751800 | 1 | Washer 1/2 | |
| 29 | 4752000 | 1 | Washer 5/8 | |
| 33 | 1001101600 | 1 | Tube, Exhaust | |
| 34 | 1001162497 | 1 | Bracket | |
| 35 | 1001151070 | 1 | Plate | |
| 36 | 1001154236 | 1 | Engine and Pump Assembly without Arctic Package (See Separate Breakdown in this Section) | |
| 37 | 1001155143 | 1 | Kit, Battery Cable | |
| 37A | 7027092 | 1 | Cable, Battery (Black) (Battery - to Tray Pivot and Relay Grd) | |
| 37B | 8270147 | 1 | Terminal, Battery (With Boot) Cable, Battery (Black) | |
| 37C | 7027093 | 1 | Cable, Battery (Black) (Battery - to Aux Pump Ground) | |
| 37D | 7027053 | 1 | Cable, Battery (Black) (Engine to Tray Pivot Grd) | |
| 37E | 7027094 | 1 | Cable (Red) (Battery + to Relays/Starter) | |
| 37F | 7027095 | 1 | Cable (Red) (Aux Relay to Aux Pump) | |
| 39 | 0641409 | 1 | Bolt 1/4 x 1-1/8 | |
| 40 | 1320224 | 1 | Clamp | |
| 41 | 3311405 | 1 | Nut 1/4 | |
| 42 | 1001110425 | 1 | Spacer | |

SECTION 3 - ENGINE

FIGURE 3-2. DEUTZ D2011 ENGINE INSTALLATION (WITH ARCTIC PACKAGE)



ART_1001178178

SECTION 3 - ENGINE

FIGURE 3-2. DEUTZ D2011 ENGINE INSTALLATION (WITH ARCTIC PACKAGE)

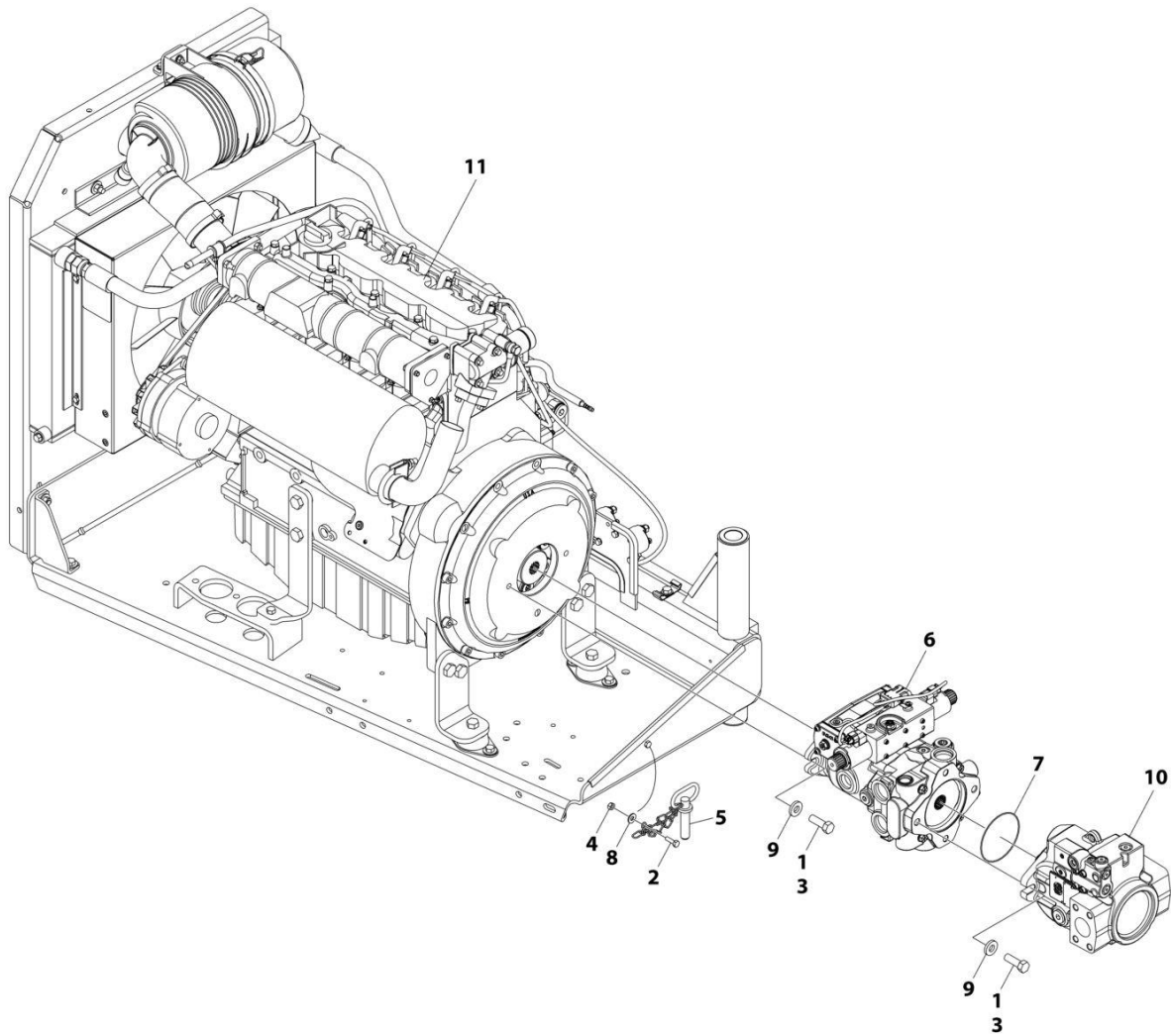
| ITEM | PART NUMBER | QTY | DESCRIPTION | REV |
|------|-------------|------------|---|-----|
| | 1001178178 | Ref | DEUTZ D2011 ENGINE INSTALLATION (WITH ARCTIC PACKAGE) | E |
| 1 | 0100011 | AR | Compound, Locking | |
| 2 | 0100020 | AR | Sealant, Pipe | |
| 4 | 0641410 | 4 | Bolt 1/4 x 1-1/4 | |
| 5 | 0641508 | 1 | Bolt 5/16 x 1 | |
| 6 | 0641610 | 3 | Bolt 3/8 x 1-1/4 | |
| 7 | 0641808 | 2 | Bolt 1/2 x 1 | |
| 8 | 0642010 | 1 | Bolt 5/8 x 1-1/4 | |
| 9 | 0681608 | 3 | Bolt 3/8 x 1 Grade 8 | |
| 10 | 1060626 | 1 | Cord, 3 Way Extension (Located on Left Front of Engine) | |
| 11 | 1060637 | 1 | Lanyard | |
| 12 | 1320022 | 5 | Clamp | |
| 13 | 1320176 | 1 | Clamp | |
| 14 | 1321339 | 1 | Clamp | |
| 15 | 1701505 | 1 | Decal - Fuel (Diesel) | |
| 16 | 1702941 | 1 | Decal - Battery Heater (Located on Battery Heater) | |
| 17 | 1702942 | 1 | Decal - Engine Block Heater (Located on Right Side of Engine) | |
| 18 | 1702943 | 1 | Decal - Hydraulic Tank Heater (Located on bottom of Hydraulic Oil Tank) | |
| 19 | 1702944 | 1 | Decal - Heater Cord (Located on Left Front of Engine) | |
| 20 | 2180348 | 1 | Fitting, Straight Barbed | |
| 21 | 2220313 | 1 | Fitting, 90 NPT/Barbed | |
| 22 | 2221176 | 1 | Fitting, 90 NPT/Barbed | |
| 23 | 2580024 | 1 | Heater, Battery (Located on Battery) | |
| 24 | 1001188972 | 1 | Heater, Hydraulic Tank (Located on bottom of Hydraulic Oil Tank) | |
| 25 | 2720058 | 30 ft/ 9m | Hose | |
| 26 | 2750532 | 6 ft/ 1.8m | Hose | |
| 27 | 3311605 | 2 | Nut 3/8 | |
| 28 | 3311801 | 1 | Nut 1/2 | |
| 29 | 3422446 | 1 | Pin, Pivot | |
| 30 | 3841143 | 1 | Pin, Keeper | |
| 31 | 3960389 | 5 ft/ 1.5m | Seal | |
| 32 | 3980007 | 1 | Seat, Battery | |
| 33 | 4711400 | 6 | Washer 1/4 | |
| 35 | 4751600 | 7 | Washer 3/8 | |
| 36 | 4751800 | 1 | Washer 1/2 | |
| 37 | 4752000 | 1 | Washer 5/8 | |
| 41 | 1001101600 | 1 | Tube, Exhaust | |
| 42 | 1001150918 | 1 | Cord, 8ft Extension (Located near Battery) | |
| 43 | 1001151070 | 1 | Plate | |
| 44 | 1001154237 | 1 | Engine and Pump Assembly with Arctic Package (See Separate Breakdown in this Section) | |
| 45 | 1001155143 | 1 | Kit, Battery Cable | |
| 45 | 7027092 | 1 | Cable, Battery (Black) (Battery - to Tray Pivot and Relay Grd) | |
| 45 | 8270147 | 1 | Terminal, Battery (With Boot) Cable, Battery (Black) | |
| 45 | 7027093 | 1 | Cable, Battery (Black) (Battery - to Aux Pump Ground) | |
| 45 | 7027053 | 1 | Cable, Battery (Black) (Engine to Tray Pivot Grd) | |
| 45 | 7027094 | 1 | Cable (Red) (Battery + to Relays/Starter) | |
| 45 | 7027095 | 1 | Cable (Red) (Aux Relay to Aux Pump) | |

SECTION 3 - ENGINE

| ITEM | PART NUMBER | QTY | DESCRIPTION | REV |
|------|-------------|-----|------------------|-----|
| 46 | 1001162497 | 1 | Bracket, Battery | |
| 48 | 0641409 | 1 | Bolt 1/4 x 1-1/8 | |
| 49 | 1320224 | 1 | Clamp | |
| 50 | 3311405 | 1 | Nut 1/4 | |
| 51 | 1001110425 | 1 | Spacer | |

SECTION 3 - ENGINE

FIGURE 3-3. DEUTZ D2011 ENGINE AND PUMP SUB-ASSEMBLY (WITHOUT ARCTIC PACKAGE)



ART_1001154236

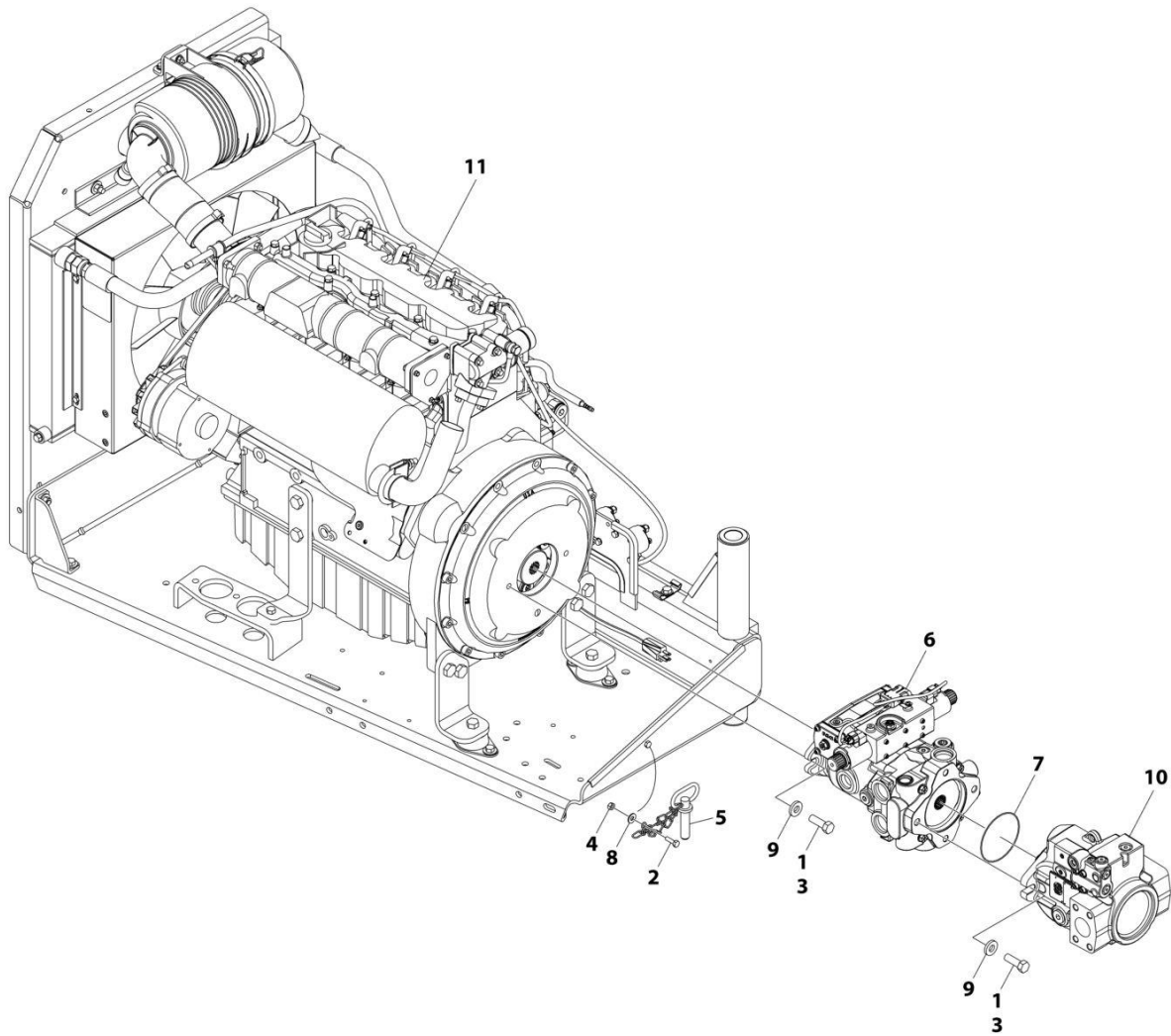
SECTION 3 - ENGINE

FIGURE 3-3. DEUTZ D2011 ENGINE AND PUMP SUB-ASSEMBLY (WITHOUT ARCTIC PACKAGE)

| ITEM | PART NUMBER | QTY | DESCRIPTION | REV |
|------|-------------|-----|--|-----|
| | 1001154236 | Ref | DEUTZ D2011 ENGINE AND PUMP SUB-ASSEMBLY (WITHOUT ARCTIC PACKAGE) | D |
| 1 | 0100011 | AR | Compound, Locking | |
| 2 | 0641407 | 1 | Bolt 1/4 x 7/8 | |
| 3 | 0641812 | 4 | Bolt 1/2 x 1-1/2 | |
| 4 | 3311405 | 1 | Nut 1/4 | |
| 5 | 3422532 | 1 | Pin, Hitch | |
| 6 | 1001225745 | 1 | Hydrostatic Pump Assembly with Fittings (See Separate Breakdown in this Section) | |
| 7 | 3790044 | 1 | O-Ring | |
| 8 | 4751400 | 1 | Washer 1/4 | |
| 9 | 4891800 | 4 | Washer 1/2 | |
| 10 | 1001094595 | 1 | Variable Pump Assembly with Fittings (See Separate Breakdown in this Section) | |
| 11 | 1001153396 | 1 | Engine Assembly Without Arctic Package (See Separate Breakdown in this Section) | |

SECTION 3 - ENGINE

FIGURE 3-4. DEUTZ D2011 ENGINE AND PUMP SUB-ASSEMBLY (WITH ARCTIC PACKAGE)



ART_1001154237

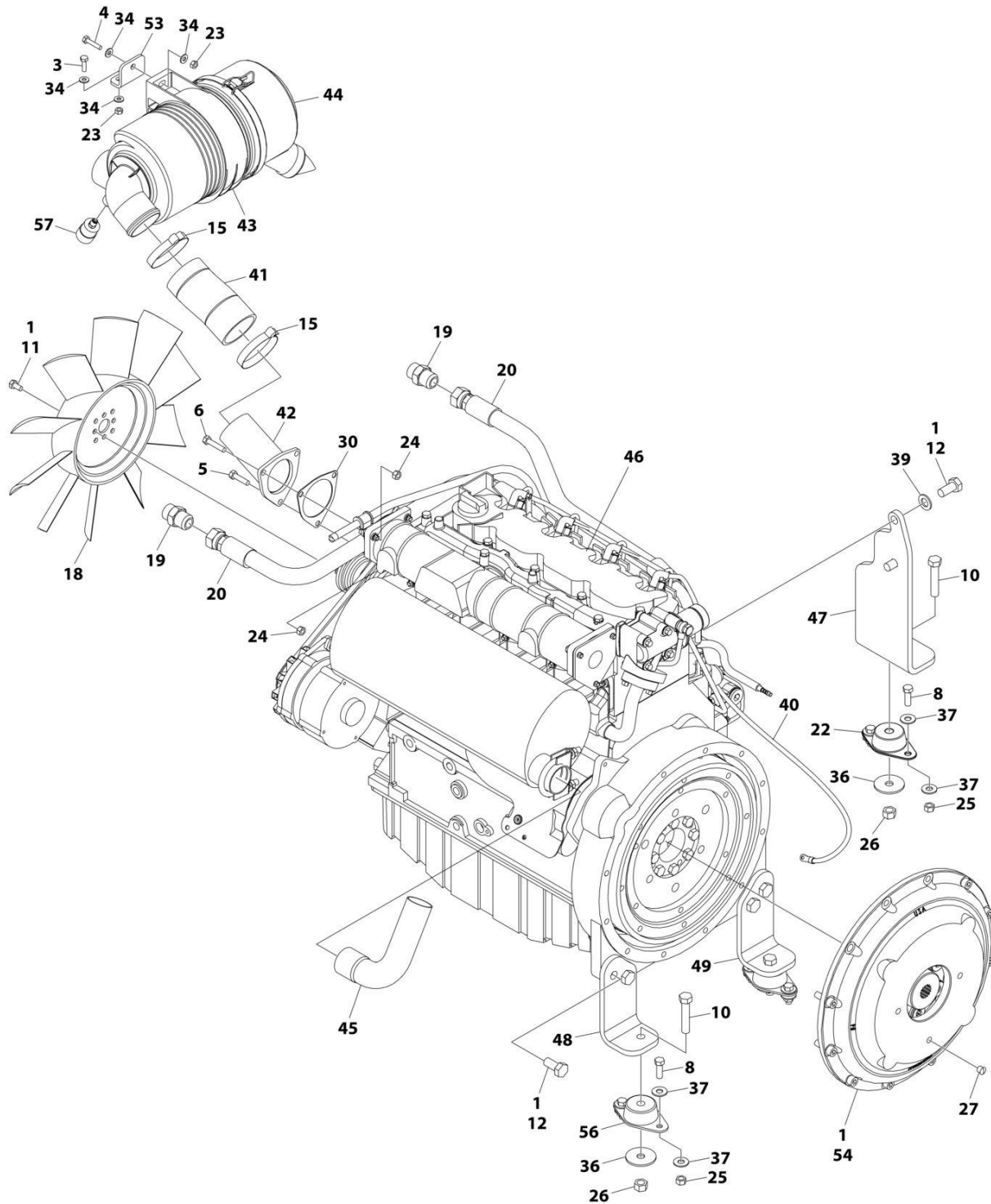
SECTION 3 - ENGINE

FIGURE 3-4. DEUTZ D2011 ENGINE AND PUMP SUB-ASSEMBLY (WITH ARCTIC PACKAGE)

| ITEM | PART NUMBER | QTY | DESCRIPTION | REV |
|------|-------------|-----|--|-----|
| | 1001154237 | Ref | DEUTZ D2011 ENGINE AND PUMP SUB-ASSEMBLY (WITH ARCTIC PACKAGE) | D |
| 1 | 0100011 | AR | Compound, Locking | |
| 2 | 0641407 | 1 | Bolt 1/4 x 7/8 | |
| 3 | 0641812 | 4 | Bolt 1/2 x 1-1/2 | |
| 4 | 3311405 | 1 | Nut 1/4 | |
| 5 | 3422532 | 1 | Pin, Hitch | |
| 6 | 1001225745 | 1 | Hydrostatic Pump Assembly with Fittings (See Separate Breakdown in this Section) | |
| 7 | 3790044 | 1 | O-Ring | |
| 8 | 4751400 | 1 | Washer 1/4 | |
| 9 | 4891800 | 4 | Washer 1/2 | |
| 10 | 1001094595 | 1 | Variable Pump Assembly with Fittings (See Separate Breakdown in this Section) | |
| 11 | 1001153779 | 1 | Engine Assembly With Arctic Package (See Separate Breakdown in this Section) | |

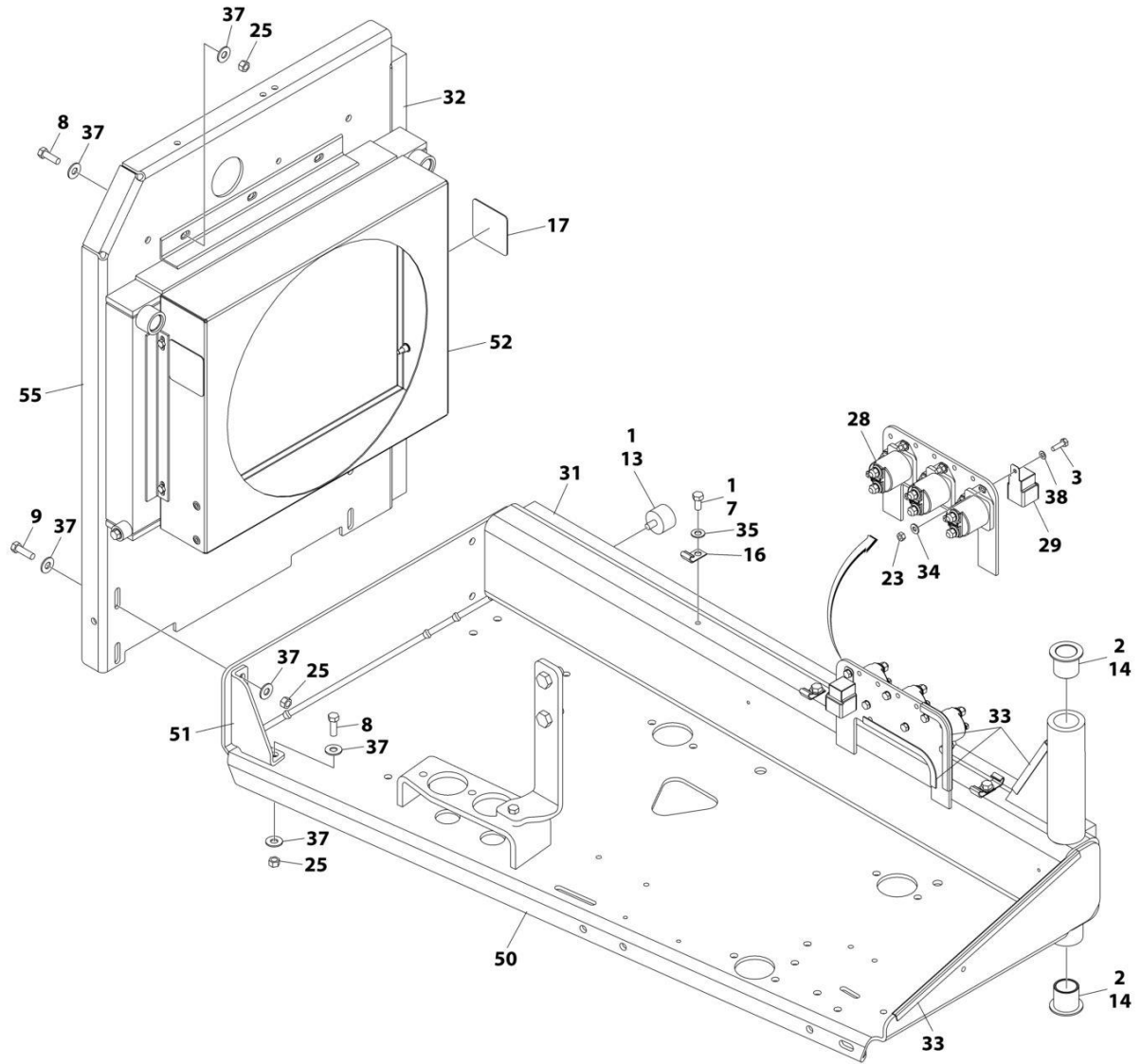
SECTION 3 - ENGINE

FIGURE 3-5. DEUTZ D2011 ENGINE ASSEMBLY (WITHOUT ARCTIC PACKAGE)



ART_1001153396_10F2

SECTION 3 - ENGINE



ART_1001153396_2OF2

SECTION 3 - ENGINE

FIGURE 3-5. DEUTZ D2011 ENGINE ASSEMBLY (WITHOUT ARCTIC PACKAGE)

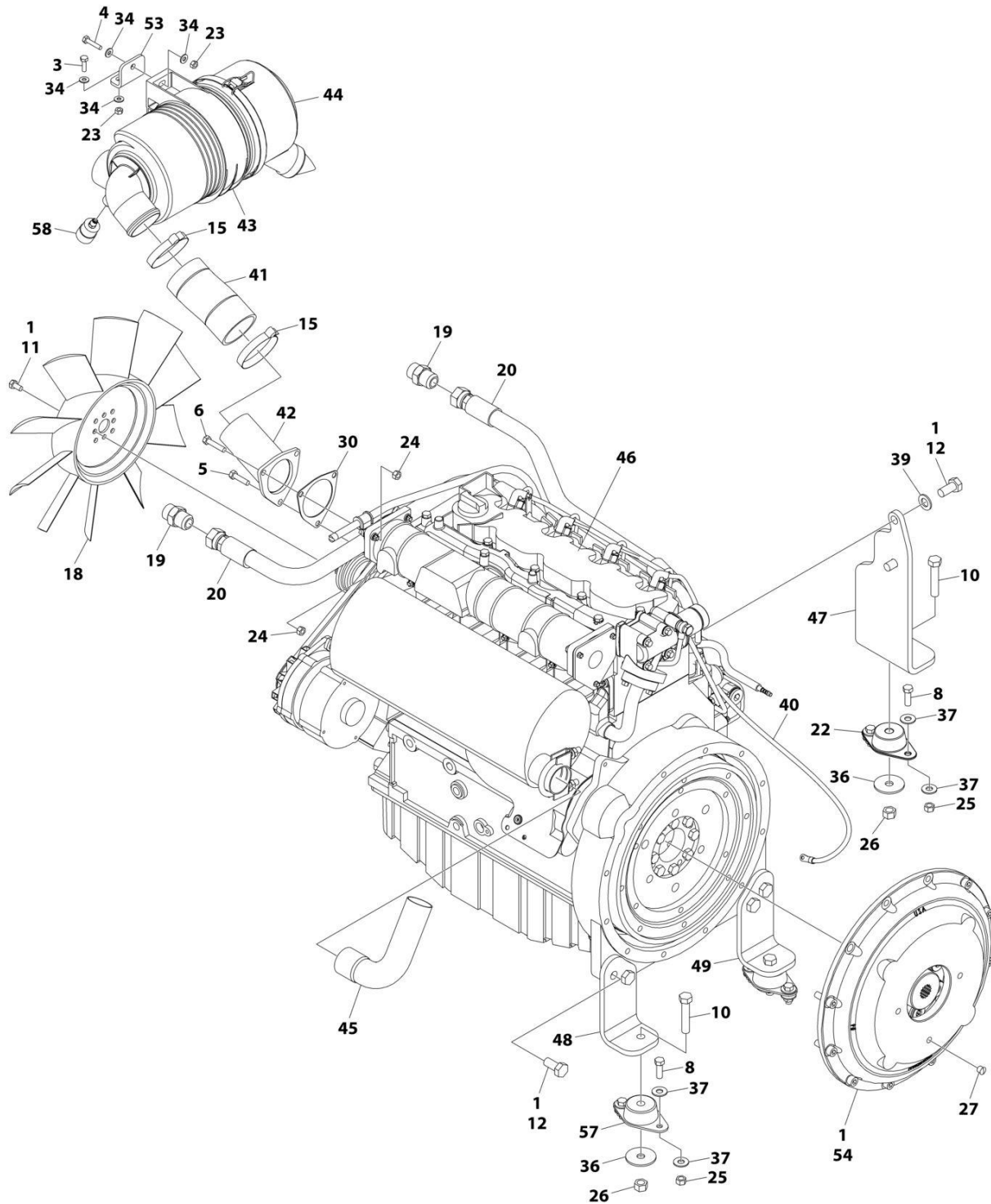
| ITEM | PART NUMBER | QTY | DESCRIPTION | REV |
|------|-------------|----------|--|-----|
| | 1001153396 | Ref | ENGINE ASSEMBLY WITHOUT ARCTIC PACKAGE | G |
| 1 | 0100011 | AR | Compound, Locking | |
| 2 | 0100062 | AR | Compound, Locking | |
| 3 | 0641407 | 8 | Bolt 1/4 x 7/8 | |
| 4 | 0641410 | 2 | Bolt 1/4 x 1-1/4 | |
| 5 | 0641510 | 2 | Bolt 5/16 x 1-1/4 | |
| 6 | 0641512 | 1 | Bolt 5/16 x 1-1/2 | |
| 7 | 0641606 | 3 | Bolt 3/8 x 3/4 | |
| 8 | 0641609 | 14 | Bolt 3/8 x 1-1/8 | |
| 9 | 0641610 | 4 | Bolt 3/8 x 1-1/4 | |
| 10 | 0641820 | 3 | Bolt 1/2 x 2-1/2 | |
| 11 | 0700808 | 4 | Bolt M8 x 16 | |
| 12 | 0771414 | 6 | Bolt M14 x 30 | |
| 13 | 0940070 | 1 | Bumper | |
| 14 | 0961986 | 2 | Bushing, Flanged | |
| 15 | 1320016 | 2 | Clamp | |
| 16 | 1320223 | 4 | J-Clip | |
| 17 | 1703162 | 2 | Decal - Caution Fan Blade | |
| 18 | 2060025 | 1 | Fan | |
| 19 | 2220451 | 2 | Fitting, Straight | |
| 20 | 2720398 | 2 | Hose, Oil Cooler | |
| 22 | 3200406 | 1 | Mount, Motor | |
| 23 | 3311405 | 10 | Nut 1/4 | |
| 24 | 3311505 | 3 | Nut 5/16 | |
| 25 | 3311605 | 18 | Nut 3/8 | |
| 26 | 3311805 | 3 | Nut 1/2 | |
| 27 | 3520054 | 2 | Plug | |
| 28 | 3740067 | 3 | Relay | |
| 29 | 3740080 | 1 | Relay | |
| 30 | 3960407 | 1 | Gasket, Air Intake | |
| 31 | 3960468 | 1 | Seal | |
| 32 | 3960469 | 1 | Seal | |
| 33 | 4060805 | 37 in/1m | Flex-Trim | |
| 34 | 4711400 | 14 | Washer 1/4 | |
| 35 | 4711600 | 3 | Washer 3/8 | |
| 36 | 4740274 | 3 | Washer, Snubbing | |
| 37 | 4751600 | 36 | Washer 3/8 | |
| 38 | 4791400 | 6 | Washer, Star 1/4 | |
| 39 | 4812200 | 2 | Washer M14 | |
| 40 | 4923379 | 1 | Harness, Glow Plug | |
| 41 | 1001001939 | 1 | Hose, Flex | |
| 42 | 1001146273 | 1 | Adapter, Air Intake | |
| 43 | 1001147812 | 1 | Clamp | |
| 44 | 1001147813 | 1 | Air Cleaner Assembly Filter Element | |
| 44 | 70004020 | 1 | Element, Filter (Not Shown) | |
| 45 | 1001147820 | 1 | Pipe, Exhaust | |
| 46 | 1001147823 | 1 | Engine, Deutz D2011 (See Separate Breakdown in this section) | |
| 47 | 1001149704 | 1 | Support, Engine | |
| 48 | 1001149705 | 1 | Support, Engine | |
| 49 | 1001149706 | 1 | Support, Engine | |

SECTION 3 - ENGINE

| ITEM | PART NUMBER | QTY | DESCRIPTION | REV |
|------|-------------|-----|--|-----|
| 50 | 1001149793 | 1 | Tray, Engine | |
| 51 | 1001150915 | 1 | Gusset | |
| 52 | 1001150998 | 1 | Radiator | |
| 53 | 1001152459 | 1 | Plate, Air Cleaner Mounting | |
| 54 | 1001153282 | 1 | Pump Coupling Kit (See Separate Breakdown in this section) | |
| 55 | 1001153414 | 1 | Plate, Radiator Mounting | |
| 56 | 3200401 | 2 | Mount, Motor | |
| 57 | 1001143390 | 1 | Indicator | |

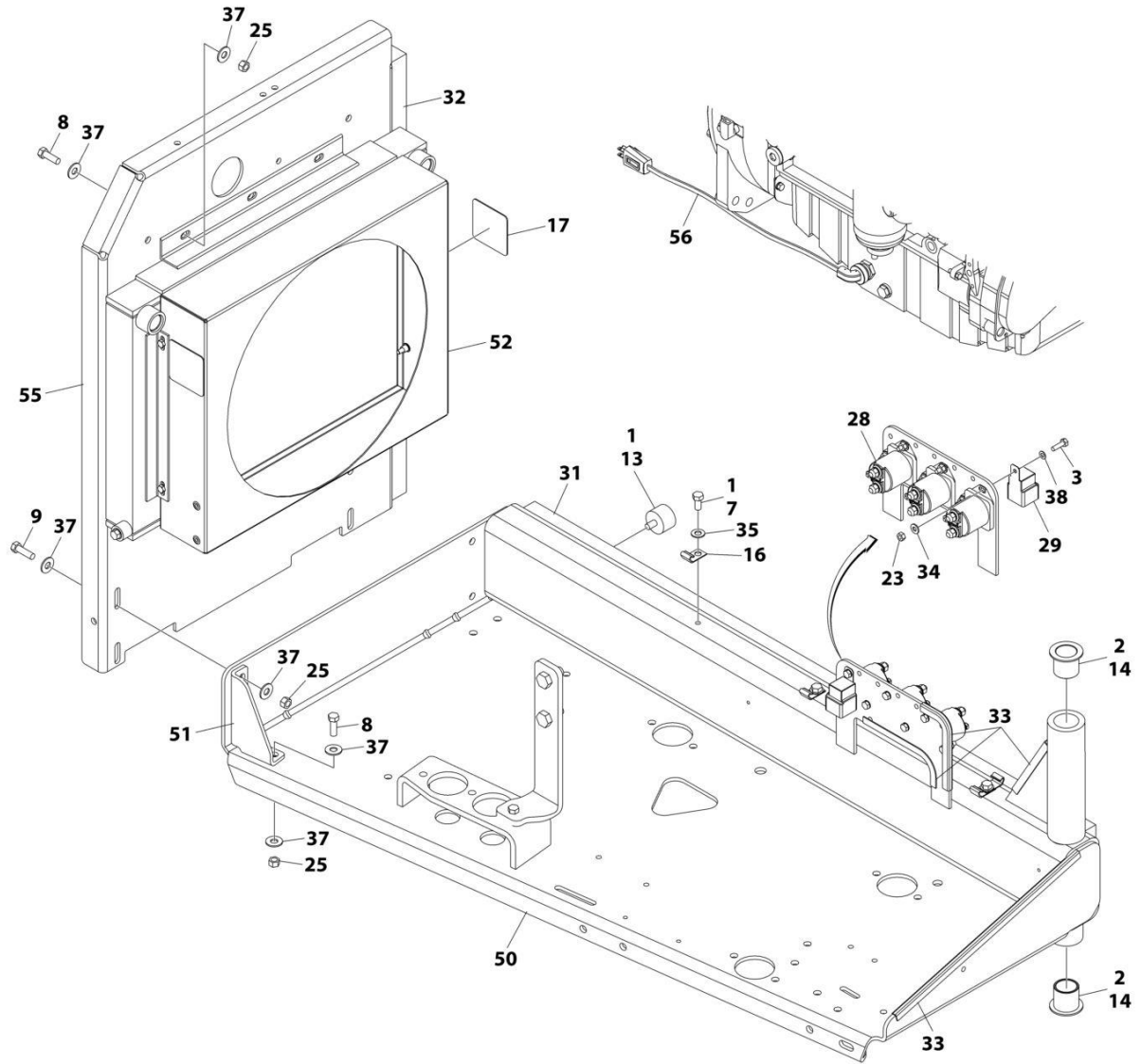
SECTION 3 - ENGINE

FIGURE 3-6. DEUTZ D2011 ENGINE ASSEMBLY (WITH ARCTIC PACKAGE)



ART_1001153779_10F2

SECTION 3 - ENGINE



ART_1001153779_2OF2

SECTION 3 - ENGINE

FIGURE 3-6. DEUTZ D2011 ENGINE ASSEMBLY (WITH ARCTIC PACKAGE)

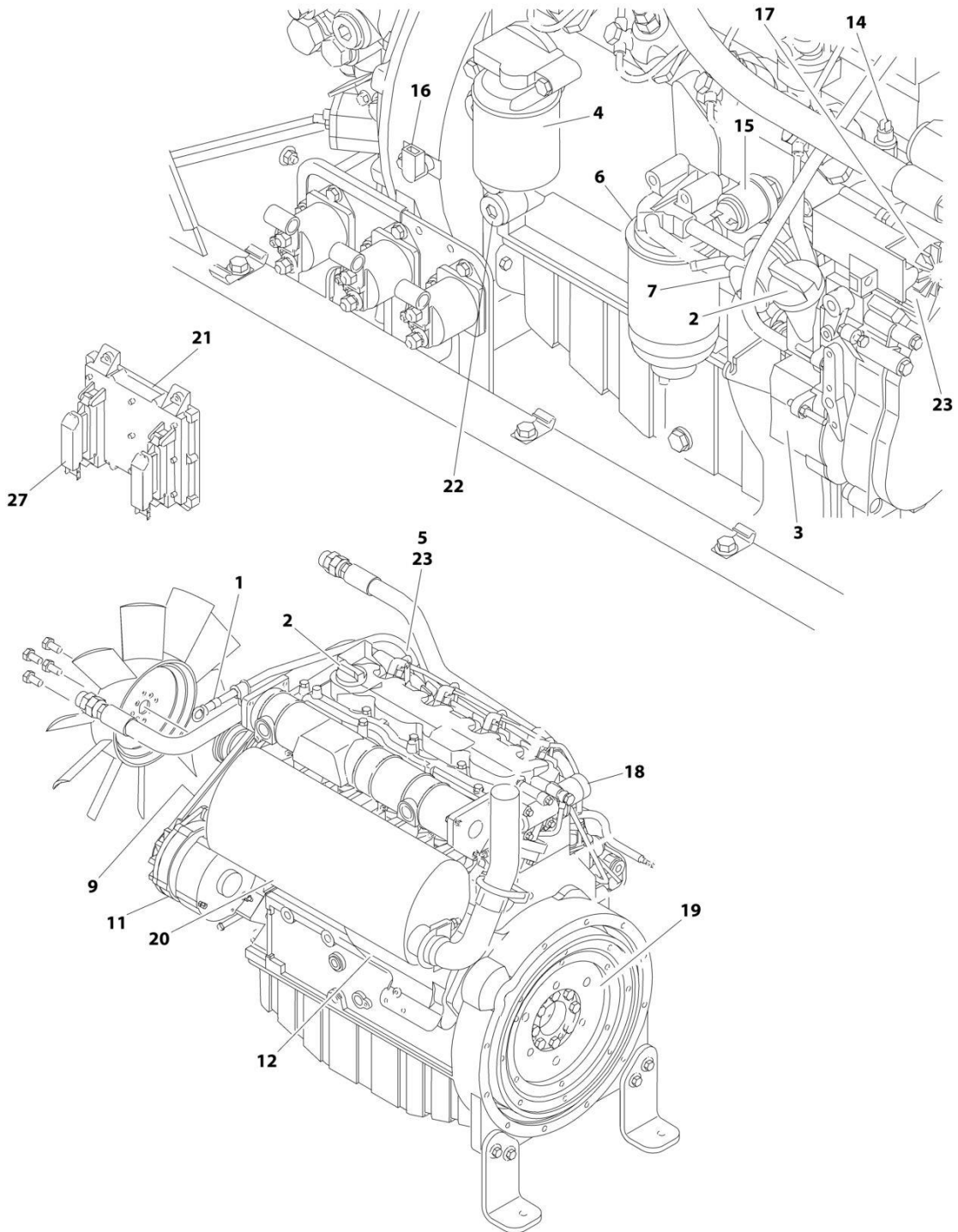
| ITEM | PART NUMBER | QTY | DESCRIPTION | REV |
|------|-------------|----------|--|-----|
| | 1001153779 | Ref | ENGINE ASSEMBLY WITH ARCTIC PACKAGE | G |
| 1 | 0100011 | AR | Compound, Locking | |
| 2 | 0100062 | AR | Compound, Locking | |
| 3 | 0641407 | 8 | Bolt 1/4 x 7/8 | |
| 4 | 0641410 | 2 | Bolt 1/4 x 1-1/4 | |
| 5 | 0641510 | 2 | Bolt 5/16 x 1-1/4 | |
| 6 | 0641512 | 1 | Bolt 5/16 x 1-1/2 | |
| 7 | 0641606 | 3 | Bolt 3/8 x 3/4 | |
| 8 | 0641609 | 14 | Bolt 3/8 x 1-1/8 | |
| 9 | 0641610 | 4 | Bolt 3/8 x 1-1/4 | |
| 10 | 0641820 | 3 | Bolt 1/2 x 2-1/2 | |
| 11 | 0700808 | 4 | Bolt M8 x 16 | |
| 12 | 0771414 | 6 | Bolt M14 x 30 | |
| 13 | 0940070 | 1 | Bumper | |
| 14 | 0961986 | 2 | Bushing, Flanged | |
| 15 | 1320016 | 2 | Clamp | |
| 16 | 1320223 | 4 | J-Clip | |
| 17 | 1703162 | 2 | Decal - Caution Fan Blade | |
| 18 | 2060025 | 1 | Fan | |
| 19 | 2220451 | 2 | Fitting, Straight | |
| 20 | 2720398 | 2 | Hose, Oil Cooler | |
| 22 | 3200406 | 1 | Mount, Motor | |
| 23 | 3311405 | 10 | Nut 1/4 | |
| 24 | 3311505 | 3 | Nut 5/16 | |
| 25 | 3311605 | 18 | Nut 3/8 | |
| 26 | 3311805 | 3 | Nut 1/2 | |
| 27 | 3520054 | 2 | Plug | |
| 28 | 3740067 | 3 | Relay | |
| 29 | 3740080 | 1 | Relay | |
| 30 | 3960407 | 1 | Gasket, Air Intake | |
| 31 | 3960468 | 1 | Seal | |
| 32 | 3960469 | 1 | Seal | |
| 33 | 4060805 | 37 in/1m | Flex-Trim | |
| 34 | 4711400 | 14 | Washer 1/4 | |
| 35 | 4711600 | 3 | Washer 3/8 | |
| 36 | 4740274 | 3 | Washer, Snubbing | |
| 37 | 4751600 | 36 | Washer 3/8 | |
| 38 | 4791400 | 6 | Washer, Star 1/4 | |
| 39 | 4812200 | 2 | Washer M14 | |
| 40 | 4923379 | 1 | Harness, Glow Plug | |
| 41 | 1001001939 | 1 | Hose, Flex | |
| 42 | 1001146273 | 1 | Adapter, Air Intake | |
| 43 | 1001147812 | 1 | Clamp | |
| 44 | 1001147813 | 1 | Air Cleaner Assembly Filter Element | |
| 44 | 70004020 | 1 | Element, Filter (Not Shown) | |
| 45 | 1001147820 | 1 | Pipe, Exhaust | |
| 46 | 1001147823 | 1 | Engine, Deutz D2011 (See Separate Breakdown in this Section) | |
| 47 | 1001149704 | 1 | Support, Engine | |
| 48 | 1001149705 | 1 | Support, Engine | |
| 49 | 1001149706 | 1 | Support, Engine | |

SECTION 3 - ENGINE

| ITEM | PART NUMBER | QTY | DESCRIPTION | REV |
|------|-------------|-----|--|-----|
| 50 | 1001149793 | 1 | Tray, Engine | |
| 51 | 1001150915 | 1 | Gusset | |
| 52 | 1001150998 | 1 | Radiator | |
| 53 | 1001152459 | 1 | Plate, Air Cleaner Mounting | |
| 54 | 1001153282 | 1 | Pump Coupling Kit (See Separate Breakdown in this Section) | |
| 55 | 1001153414 | 1 | Plate, Radiator Mounting | |
| 56 | 2580062 | 1 | Heater, Block | |
| 57 | 3200401 | 2 | Mount, Motor | |
| 58 | 1001143390 | 1 | Indicator | |

SECTION 3 - ENGINE

FIGURE 3-7. DEUTZ D2011 ENGINE COMPONENTS



ART_1001147823

SECTION 3 - ENGINE

FIGURE 3-7. DEUTZ D2011 ENGINE COMPONENTS

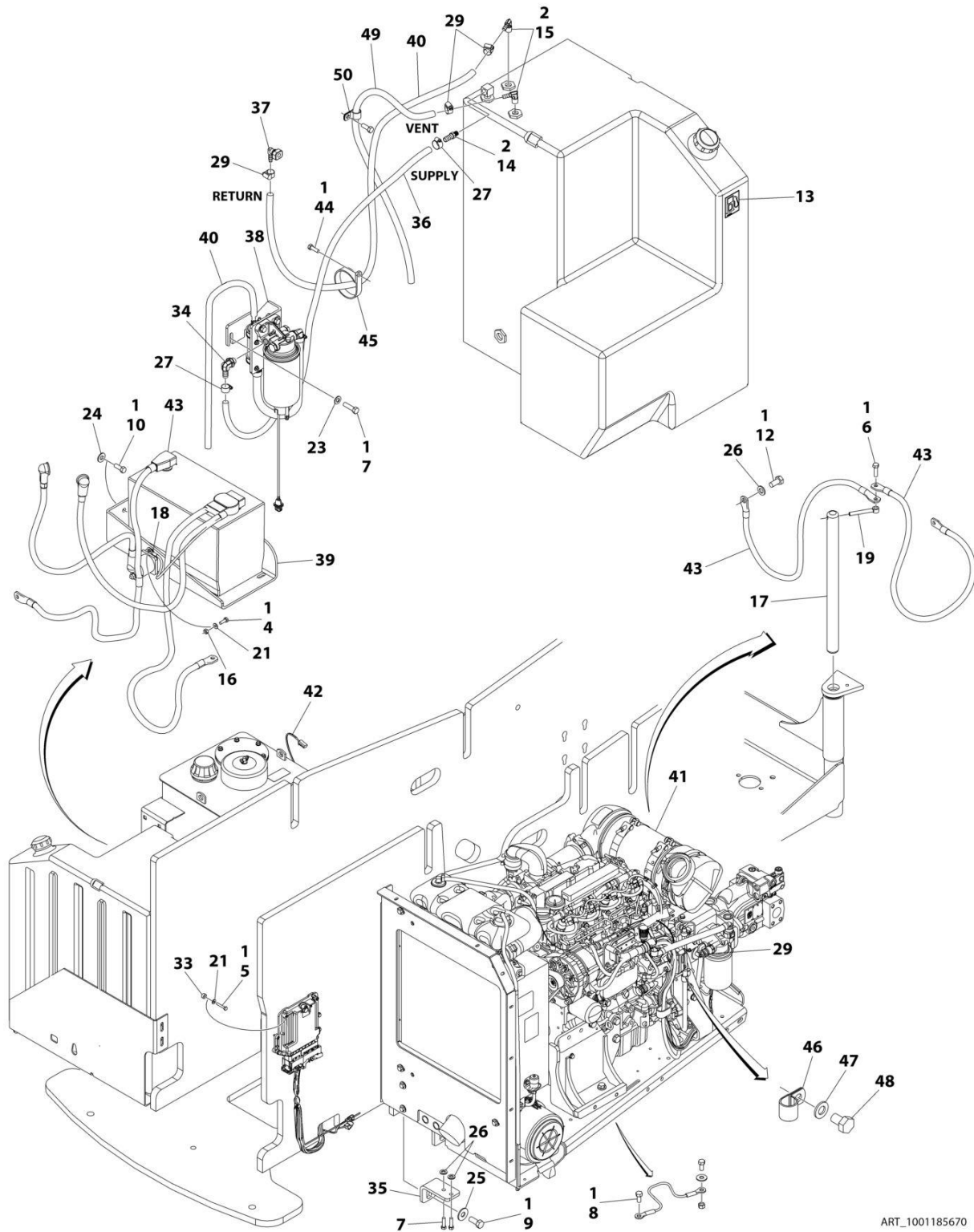
| ITEM | PART NUMBER | QTY | DESCRIPTION | REV |
|------|-------------|-----|--|-----|
| | 1001147823 | Ref | ENGINE COMPONENTS | B |
| 1 | 70004287 | 1 | Dipstick | |
| 1 | 70000044 | 1 | Seal, Dipstick | |
| 1 | 70001002 | 1 | Tube, Dipstick | |
| 1 | 7020403 | 1 | Seal, Dipstick Tube | |
| 2 | 7020465 | 2 | Cap, Filler | |
| 3 | 70001850 | 1 | Pump, Oil Lube | |
| 3 | 7020468 | 1 | Seal Between Oil Pump and Engine Block (Not Shown) | |
| 4 | 7016331 | 1 | Filter, Oil | |
| 4 | 70003472 | 1 | Bracket, Oil Filter | |
| 4 | 7027236 | 1 | Sender, Temperature | |
| 4 | 70025082 | 1 | Ring, Sealing | |
| 5 | 70000912 | 4 | Series A Injector | |
| 5 | 70000913 | 4 | Series B Injector | |
| 5 | 70000914 | 4 | Series C Injector | |
| 5 | 70000915 | 4 | Series D Injector | |
| 5 | 70003464 | 4 | Seal/Gasket, Pump (1 Per Injector) | |
| 5 | 70003478 | 4 | Injector, Fuel | |
| 5 | 70003136 | 4 | Seal/Gasket, Pump (1 Per Injector) | |
| 6 | 7016328 | 1 | Filter, Fuel | |
| 6 | 70003465 | 1 | Sensor | |
| 6 | 70003466 | 1 | Seal, Sensor | |
| 7 | 70000916 | 1 | Pump, Fuel Supply | |
| 7 | 70001435 | 1 | Repair Kit for Fuel Supply Pump | |
| 7 | 70000919 | 1 | Hand Pump for Fuel Supply Pump | |
| 7 | 70000917 | 1 | O - Seal Between Fuel Pump and Engine Block | |
| 7 | 70000918 | 1 | O - Seal Between Fuel Pump and Hand Pump | |
| 8 | 70001871 | 4 | Gasket, Intake Manifold | |
| 9 | 7020408 | 1 | V-Belt | |
| 10 | | Ref | Exhaust Manifold Components (Not Shown) | |
| 10 | 70001835 | 1 | Gasket, Exhaust Adapter to Exhaust Rail | |
| 10 | 70001841 | 1 | Valve, Exhaust (Fits into Exhaust Adapter) | |
| 10 | 70001836 | 1 | Gasket, Exhaust Rail to Cylinder Head | |
| 10 | 70001837 | 1 | Gasket, Exhaust Manifold to Muffler | |
| 10 | 70002200 | 4 | Stud, Mounting | |
| 10 | See Note | AR | Nut, Exhaust Manifold | |
| 11 | 70004056 | 1 | Alternator | |
| 11 | 70001868 | 1 | Regulator, Voltage (Not Shown) | |
| 11 | 70001866 | 1 | Seal, Gasket for Voltage Regulator (Not Shown) | |
| 11 | 70002234 | 1 | Bar, Alternator Adjustment | |
| 12 | 7020479 | 1 | Starter | |
| 12 | 70004058 | 1 | Relay | |
| 13 | 70004060 | 2 | Plug-In Connector | |
| 14 | 7027791 | 1 | Transmitter, Temperature | |
| 15 | 7027790 | 1 | Sensor, Oil Pressure | |
| 16 | 70004272 | 1 | Sensor, Speed | |
| 17 | 7027792 | 1 | Throttle Actuator | |
| 17 | 7027276 | 2 | Spring | |
| 18 | 70003475 | 1 | Thermostat (Located at rear of engine block - Not Shown) | |
| 19 | 70001870 | 1 | Flywheel with Ring Gear | |

SECTION 3 - ENGINE

| ITEM | PART NUMBER | QTY | DESCRIPTION | REV |
|------|-------------|-----|---|-----|
| 19 | 7024579 | 1 | Gear, Ring 110 Tooth | |
| 20 | 7000695 | 1 | Muffler | |
| 20 | 70001844 | 1 | U-Ciamp | |
| 20 | 7020471 | 4 | Gasket | |
| 21 | 7027795 | 1 | Module, Control | |
| 22 | 70001181 | 1 | Valve, Pressure Control | |
| 22 | 70124410 | 1 | Spring | |
| 22 | 70025082 | 1 | Seal | |
| 22 | 70124440 | 1 | Screw, Locking | |
| 23 | 70000345 | 4 | Plug, Glow | |
| 24 | 70000800 | 1 | Camshaft Pulley Repair Kit (Not Shown) | |
| 26 | 70002415 | 1 | Gasket, Head with 1 Notch (Not Shown) | |
| 62 | 70002416 | 1 | Gasket, Head with 2 Notch (Not Shown) | |
| 26 | 70002417 | 1 | Gasket, Head with 3 Notch (Not Shown) | |
| 27 | 7027796 | 1 | Harness, Engine (Connects to Item 421) | |
| 27 | 70001872 | 1 | Harness, Engine (Connects to p/n 7027796) | |
| 28 | | Ref | Gaskets and Seals - Miscellaneous (Not Shown) | |
| 28 | 70004289 | 1 | Gasket Set | |
| 28 | 70002718 | 1 | Seal, Rear Main | |
| 28 | 70004280 | 1 | Seal, Front Main | |
| 29 | 70025752 | 1 | Valve, Pressure Relief (Not Shown - Located at Engine Front Left) | |
| 29 | 70025753 | 1 | Spring | |
| 29 | 70005916 | 1 | Seal | |
| 29 | 70005917 | 1 | Plug, Locking | |

SECTION 3 - ENGINE

FIGURE 3-8. DEUTZ TD2.9L4 ENGINE INSTALLATION (WITHOUT ARCTIC PACKAGE)



SECTION 3 - ENGINE

FIGURE 3-8. DEUTZ TD2.9L4 ENGINE INSTALLATION (WITHOUT ARCTIC PACKAGE)

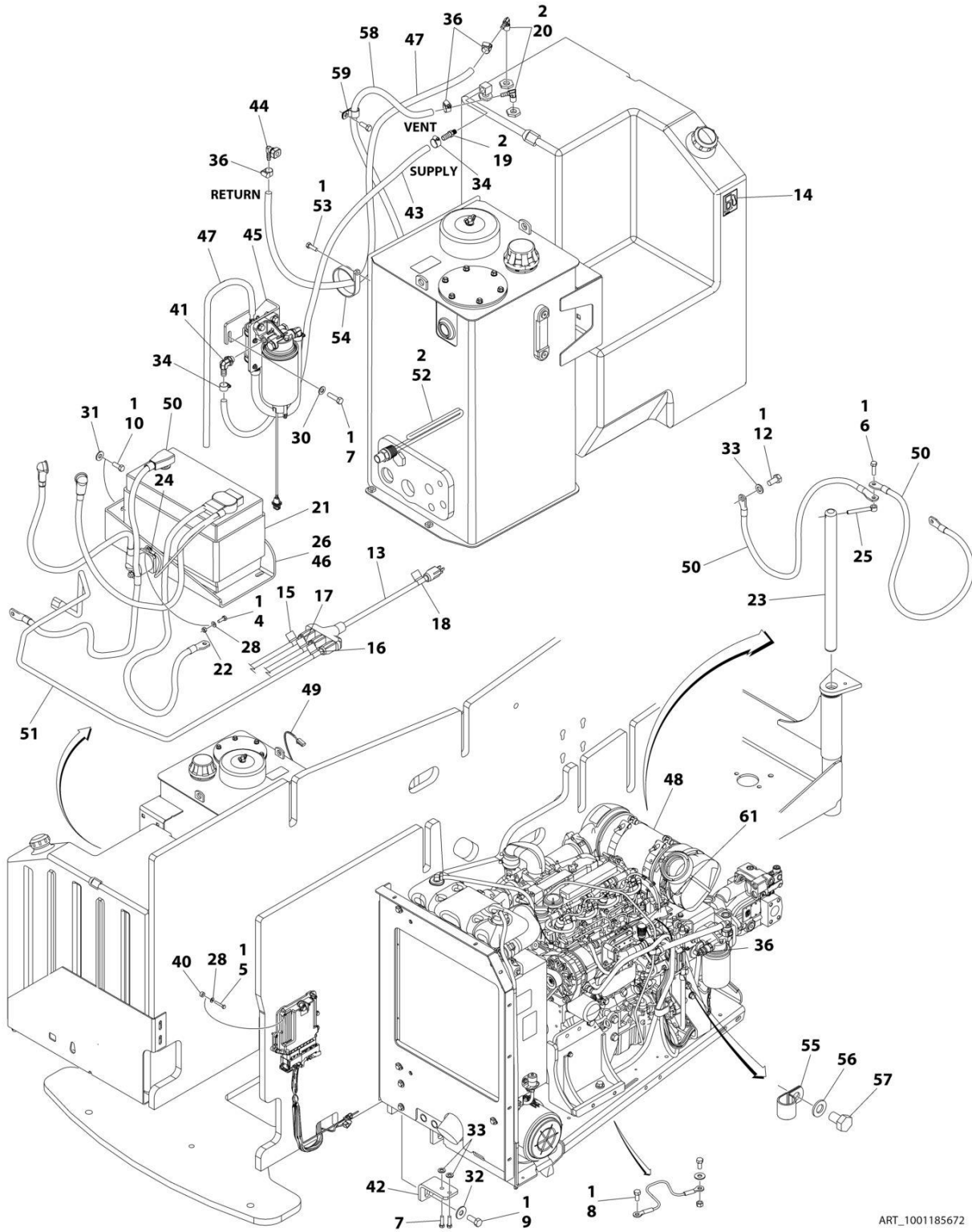
| ITEM | PART NUMBER | QTY | DESCRIPTION | REV |
|------|-------------|----------------|--|-----|
| | 1001185670 | Ref | DEUTZ ENGINE INSTALLATION WITHOUT ARCTIC PACKAGE | E |
| 1 | 0100011 | AR | Compound, Locking | |
| 2 | 0100020 | AR | Sealant, Pipe | |
| 4 | 0641406 | 2 | Bolt 1/4 x 3/4 | |
| 5 | 0641412 | 4 | Bolt 1/4 x 1-1/2 | |
| 6 | 0641610 | 1 | Bolt 3/8 x 1-1/4 | |
| 7 | 0641611 | 4 | Bolt 3/8 x 1-3/8 | |
| 8 | 0641808 | 1 | Bolt 1/2 x 1 | |
| 9 | 0642012 | 1 | Bolt 5/8 x 1-1/2 | |
| 10 | 0681608 | 3 | Bolt 3/8 x 1 | |
| 12 | 0771212 | 1 | Bolt M12 x 25 | |
| 13 | 1701505 | 1 | Decal - Diesel Fuel (Not Shown Located on Fuel Tank) | |
| 14 | 2180832 | 1 | Fitting, 90 NPT/ Barbed | |
| 15 | 2220313 | 2 | Fitting, 90 NPT/Barbed | |
| 16 | 3311405 | 2 | Nut 1/4-20 | |
| 17 | 3422446 | 1 | Pin, Pivot | |
| 18 | 3740067 | 1 | Relay | |
| 19 | 3841143 | 1 | Pin, Keeper | |
| 20 | 4240033 | 1 | Tie-Strap (Not Shown) | |
| 21 | 4711400 | 6 | Washer 1/4 | |
| 23 | 4711600 | 2 | Washer 3/8 | |
| 24 | 4751600 | 3 | Washer 3/8 | |
| 25 | 4752000 | 1 | Washer 5/8 | |
| 26 | 4812100 | 3 | Washer M12 | |
| 27 | 8405006 | 2 | Clamp | |
| 29 | 8410013 | 4 | Clamp | |
| 33 | 1001110425 | 4 | Spacer | |
| 34 | 1001142501 | 1 | Fitting, Straight Metric/Barbed | |
| 35 | 1001153359 | 1 | Mount, Engine | |
| 36 | 1001154405 | 54 in/ 1.4m | Hose | |
| 37 | 1001155823 | 1 | Fitting, Quick Disconnect 90 | |
| 38 | 1001162335 | 1 | Bracket Assembly Less Filter/Pump (See Separate Breakdown in this Section) | |
| 39 | 1001162497 | 1 | Bracket, Battery | |
| 40 | 1001165035 | 28 ft/ 8.5m | Hose | |
| 41 | 1001185667 | 1 | Engine and Pump Assembly without Arctic Package (See Separate Breakdown in this Section) | |
| 42 | 1001138491 | 1 | Harness, Fuel (Not Shown - See Separate Breakdown in ELECTRICAL SECTION) | |
| 43 | 1001143736 | 1 | Battery Cable Kit (Not Shown) | F |
| 43 | 7027084 | 1 | Cable, Battery (Black) (Battery - to Tray Pivot and Relay Grounds) | |
| 43 | 8270147 | 1 | Terminal, Battery (With Boot) Cable, Battery (Black) | |
| 43 | 7027085 | 1 | Cable, Battery (Black) (Battery - to Aux Pump Ground) | |
| 43 | 7027086 | 1 | Cable, Battery (Black) (Engine to Tray Pivot Ground) | |
| 43 | 7027087 | 1 | Cable (Red) (Battery + to Relays/Starter) | |
| 43 | 7027088 | 1 | Cable (Red) (Aux Relay to Aux Pump) | |
| 43 | See Note | 1 | Cable (Auxiliary Relay to Starter) (Note: Use p/n 7027087) | |
| 44 | 0641508 | 1 | Bolt 5/16 x 1 | |

SECTION 3 - ENGINE

| ITEM | PART NUMBER | QTY | DESCRIPTION | REV |
|------|-------------|------------|------------------|-----|
| 45 | 1321339 | 1 | Clamp | |
| 46 | 1320061 | 1 | Clamp | |
| 47 | 4812000 | 1 | Washer M10 | |
| 48 | 0761008 | 1 | Bolt M10 x 16 | |
| 49 | 2750532 | 4 ft/ 1.2m | Hose (Vent Line) | |
| 50 | 8406102 | 1 | Clip | |

SECTION 3 - ENGINE

FIGURE 3-9. DEUTZ TD2.9L4 ENGINE INSTALLATION (WITH ARCTIC PACKAGE)



ART_1001185672

SECTION 3 - ENGINE

FIGURE 3-9. DEUTZ TD2.9L4 ENGINE INSTALLATION (WITH ARCTIC PACKAGE)

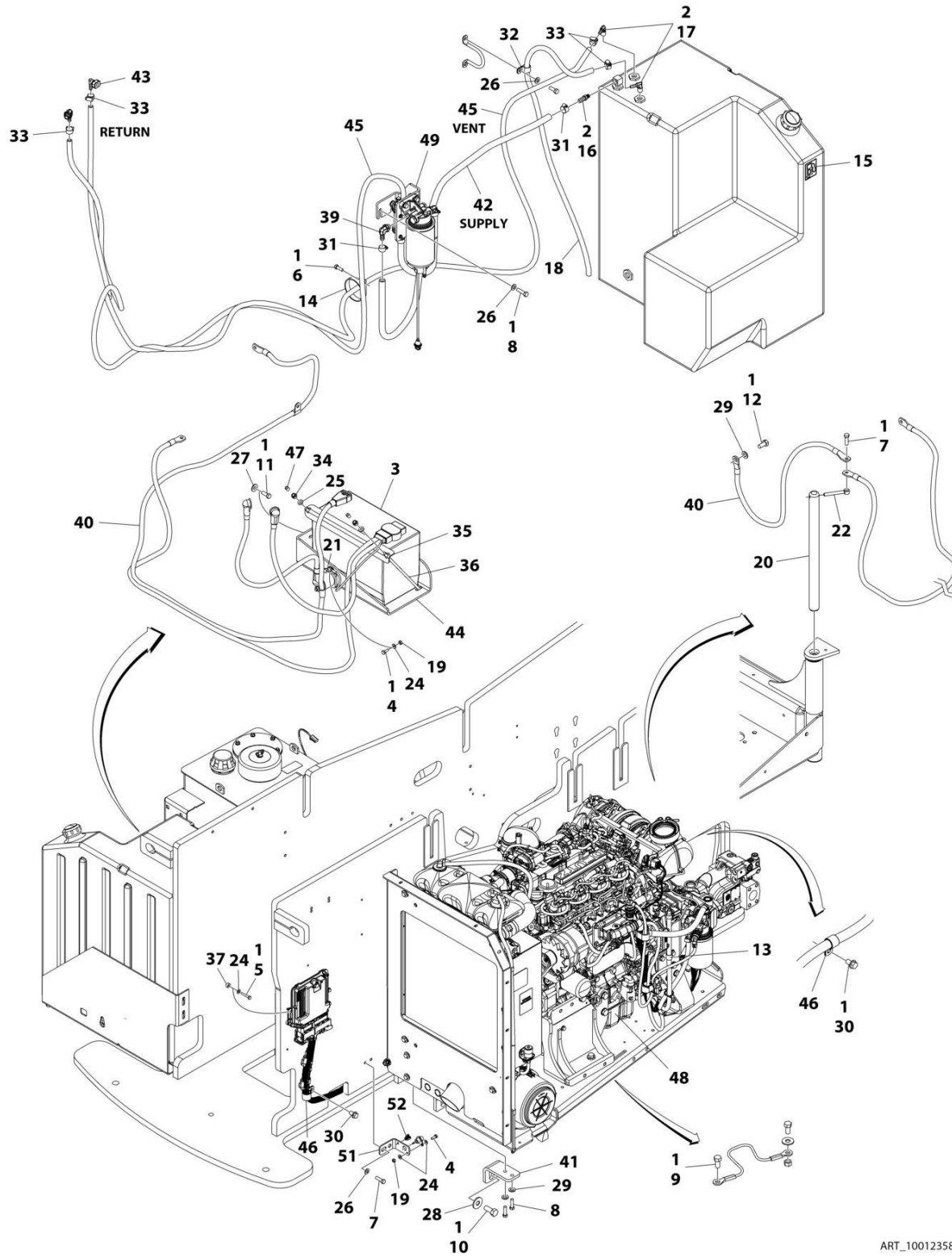
| ITEM | PART NUMBER | QTY | DESCRIPTION | REV |
|------|-------------|----------------|---|-----|
| | 1001185672 | Ref | DEUTZ ENGINE INSTALLATION WITH ARCTIC PACKAGE | F |
| 1 | 0100011 | AR | Compound, Locking | |
| 2 | 0100020 | AR | Sealant, Pipe | |
| 4 | 0641406 | 2 | Bolt 1/4 x 3/4 | |
| 5 | 0641412 | 4 | Bolt 1/4 x 1-1/2 | |
| 6 | 0641610 | 1 | Bolt 3/8 x 1-1/4 | |
| 7 | 0641611 | 4 | Bolt 3/8 x 1-3/8 | |
| 8 | 0641808 | 1 | Bolt 1/2 x 1 | |
| 9 | 0642012 | 1 | Bolt 5/8 x 1-1/2 | |
| 10 | 0681608 | 3 | Bolt 3/8 x 1 Grade 8 | |
| 12 | 0771212 | 1 | Bolt M12 x 25 Grade 10.9 | |
| 13 | 1060626 | 1 | Cord, 3 Way Extension | |
| 14 | 1701505 | 1 | Decal - Diesel Fuel (Not Shown Located on Fuel Tank) | |
| 15 | 1702941 | 1 | Decal - Battery Heater | |
| 16 | 1702942 | 1 | Decal - Engine Block Heater | |
| 17 | 1702943 | 1 | Decal - Hydraulic Tank Heater | |
| 18 | 1702944 | 1 | Decal - Heater Cord | |
| 19 | 2180832 | 1 | Fitting, 90 NPT/ Barbed | |
| 20 | 2220313 | 2 | Fitting, 90 NPT/Barbed | |
| 21 | 2580024 | 1 | Heater, Battery | |
| 22 | 3311405 | 2 | Nut 1/4 | |
| 23 | 3422446 | 1 | Pin, Pivot | |
| 24 | 3740067 | 1 | Relay | |
| 25 | 3841143 | 1 | Pin, Keeper | |
| 26 | 3980007 | 1 | Seat, Battery | |
| 27 | 4240033 | 1 | Tie-Strap (Not Shown) | |
| 28 | 4711400 | 6 | Washer 1/4 | |
| 30 | 4711600 | 2 | Washer 3/8 | |
| 31 | 4751600 | 3 | Washer 3/8 | |
| 32 | 4752000 | 1 | Washer 5/8 | |
| 33 | 4812100 | 3 | Washer M12 | |
| 34 | 8405006 | 2 | Clamp | |
| 36 | 8410013 | 4 | Clamp | |
| 40 | 1001110425 | 4 | Spacer | |
| 41 | 1001142501 | 1 | Fitting, Straight Metric/Barbed | |
| 42 | 1001153359 | 1 | Mount, Engine | |
| 43 | 1001154405 | 54 in/ 1.4m | Hose | |
| 44 | 1001155823 | 1 | Fitting, Quick Disconnect 90 | |
| 45 | 1001162335 | 1 | Bracket Assembly Less Filter/Pump (See Separate Breakdown in this Section) | |
| 46 | 1001162497 | 1 | Bracket, Battery | |
| 47 | 1001165035 | 28 ft/ 8.5m | Hose | |
| 48 | 1001185671 | 1 | Deutz TD2.9L4 Engine and Pump Sub-Assembly (See Separate Breakdown in this Section) | |
| 49 | 1001138491 | 1 | Harness, Fuel (Not Shown - See Separate Breakdown in ELECTRICAL SECTION) | |
| 50 | 1001143736 | 1 | Battery Cable Kit (Not Shown) | E |
| 50 | 7027084 | 1 | Cable, Battery (Black) (Battery - to Tray Pivot Grd) | |
| 50 | 8270147 | 1 | Terminal, Battery (With Boot) | |

SECTION 3 - ENGINE

| ITEM | PART NUMBER | QTY | DESCRIPTION | REV |
|------|-------------|------------|---|-----|
| 50 | 7027085 | 1 | Cable, Battery (Black) (Battery - to Aux Pump and Relay Grds) | |
| 50 | 7027086 | 1 | Cable, Battery (Black) (Engine to Tray Pivot Grd) | |
| 50 | 7027087 | 1 | Cable (Red) (Battery + to Aux Relay/Power Module/Starter) | |
| 50 | 7027088 | 1 | Cable (Red) (Aux Relay to Aux Pump) | |
| 51 | 1001150918 | 1 | Cord, 8ft Extension | |
| 52 | 1001188972 | 1 | Heater, Hydraulic Tank | |
| 53 | 0641508 | 1 | Bolt 5/16 x 1 | |
| 54 | 1321339 | 1 | Clamp | |
| 55 | 1320061 | 1 | Clamp | |
| 56 | 4812000 | 1 | Washer M10 | |
| 57 | 0761008 | 1 | Bolt M10 x 16 | |
| 58 | 2750532 | 4 ft/ 1.2m | Hose (Vent Line) | |
| 59 | 8406102 | 1 | Clip | |
| 61 | 1001233763 | Ref | Breather Heater Installation (Not Shown - See Separate Breakdown in this Section) | |

SECTION 3 - ENGINE

FIGURE 3-10. DEUTZ TD2.9L4 ENGINE INSTALLATION (STAGE V)



ART_1001235860

SECTION 3 - ENGINE

FIGURE 3-10. DEUTZ TD2.9L4 ENGINE INSTALLATION (STAGE V)

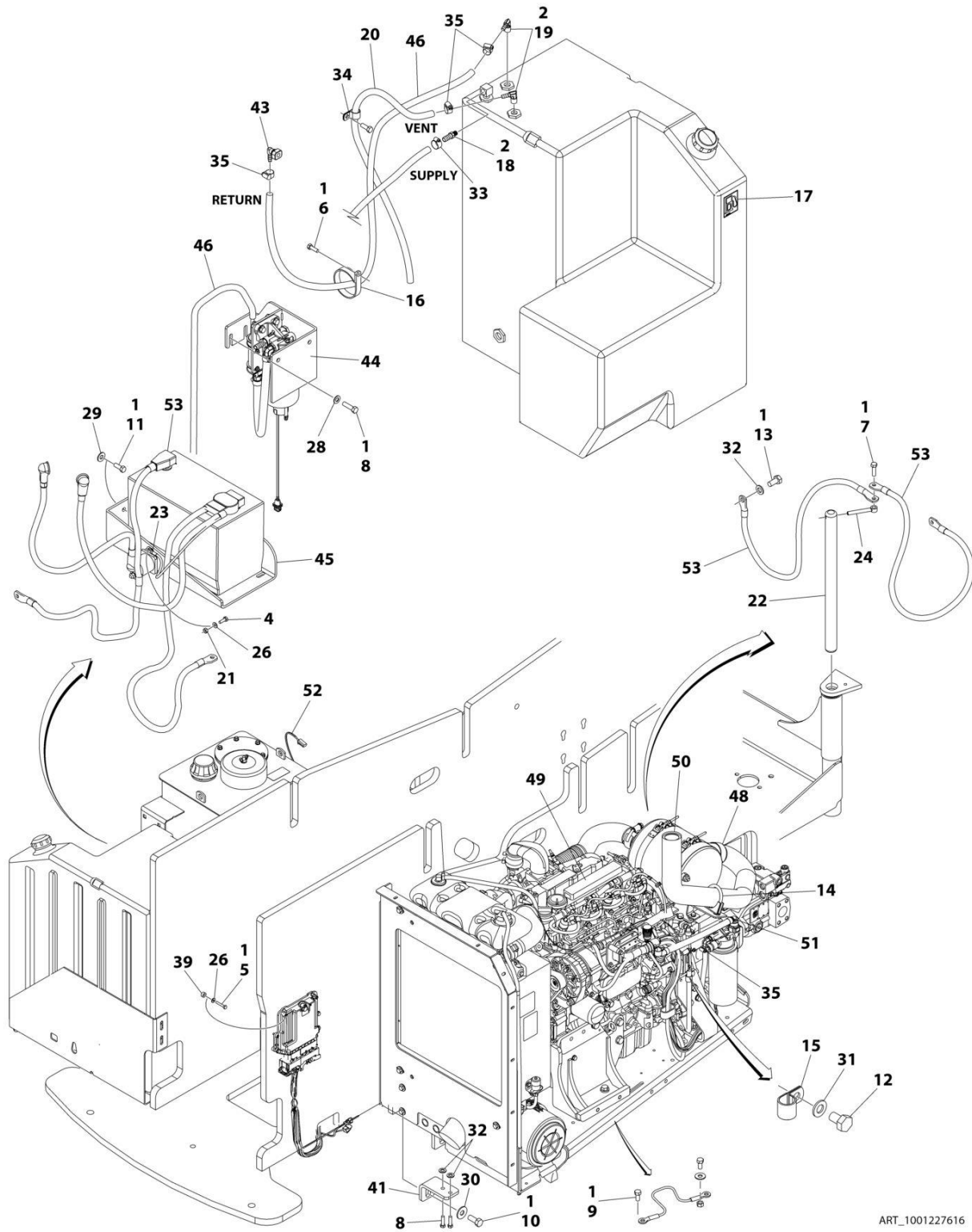
| ITEM | PART NUMBER | QTY | DESCRIPTION | REV |
|------|-------------|------------|--|-----|
| | 1001235860 | Ref | DEUTZ 2.9L4 (STAGE V) ENGINE INSTALLATION | D |
| 1 | 0100011 | AR | Compound, Locking | |
| 2 | 0100020 | AR | Sealant, Pipe | |
| 3 | 0400075 | 1 | Battery | |
| 4 | 0641406 | 2 | Bolt 1/4 x 3/4 | |
| 5 | 0641412 | 4 | Bolt 1/4 x 1-1/2 | |
| 6 | 0641508 | 1 | Bolt 5/16 x 1 | |
| 7 | 0641610 | 1 | Bolt 3/8 x 1-1/4 | |
| 8 | 0641611 | 4 | Bolt 3/8 x 1-3/8 | |
| 9 | 0641808 | 1 | Bolt 1/2 x 1 | |
| 10 | 0642012 | 1 | Bolt 5/8 x 1-1/2 | |
| 11 | 0681608 | 3 | Bolt 3/8 x 1 | |
| 12 | 0771212 | 1 | Bolt M12 x 25 | |
| 13 | 1320061 | 1 | Clamp | |
| 14 | 1321339 | 1 | Clamp | |
| 15 | 1701505 | 1 | Decal - Diesel Fuel (Not Shown Located on Fuel Tank) | |
| 16 | 2180832 | 1 | Fitting, 90 NPT/ Barbed | |
| 17 | 2220313 | 2 | Fitting, 90 NPT/Barbed | |
| 18 | 2750532 | 4 ft/ 1.2m | Hose (Vent Line) | |
| 19 | 3311405 | 2 | Nut 1/4 | |
| 20 | 3422446 | 1 | Pin, Pivot | |
| 21 | 3740067 | 1 | Relay | |
| 22 | 3841143 | 1 | Pin, Keeper | |
| 23 | 4240033 | AR | Tie-Strap (Not Shown) | |
| 24 | 4711400 | 8 | Washer 1/4 | |
| 25 | 4711500 | 2 | Washer 5/16 | |
| 26 | 4711600 | 4 | Washer 3/8 | |
| 27 | 4751600 | 3 | Washer 3/8 | |
| 28 | 4752000 | 1 | Washer 5/8 | |
| 29 | 4812100 | 3 | Washer M12 | |
| 30 | 5251210 | 2 | Bolt M12 x 20 | |
| 31 | 8405006 | 2 | Clamp | |
| 32 | 8406102 | 1 | Clip | |
| 33 | 8410013 | 4 | Clamp | |
| 34 | 88521205 | 2 | Nut 5/16 | |
| 35 | 91401281 | 1 | Bracket, Battery Hold Down | |
| 36 | 1001093382 | 2 | J-Bolt | |
| 37 | 1001110425 | 4 | Spacer | |
| 38 | 1001138491 | 1 | Harness, Fuel (Not Shown - See Separate Breakdown in ELECTRICAL SECTION) | |
| 39 | 1001142501 | 1 | Fitting, Straight Metric/Barbed | |
| 40 | 1001143736 | 1 | Battery Cable Kit | E |
| 40 | 7027084 | 1 | Cable, Battery (Black) (Battery - to Tray Pivot Grd) | |
| 40 | 8270147 | 1 | Terminal, Battery (With Boot) | |
| 40 | 7027085 | 1 | Cable, Battery (Black) (Battery - to Aux Pump and Relay Grds) | |
| 40 | 7027086 | 1 | Cable, Battery (Black) (Engine to Tray Pivot Grd) | |
| 40 | 7027087 | 1 | Cable (Red) (Battery + to Aux Relay/Power Module/Starter) | |
| 40 | 7027088 | 1 | Cable (Red) (Aux Relay to Aux Pump) | |
| 41 | 1001153359 | 1 | Mount, Engine | |
| 42 | 1001154405 | 54 in/ | Hose | |

SECTION 3 - ENGINE

| ITEM | PART NUMBER | QTY | DESCRIPTION | REV |
|------|-------------|----------------|---|-----|
| | | 1.4m | | |
| 43 | 1001155823 | 1 | Fitting, Quick Disconnect 90 | |
| 44 | 1001162497 | 1 | Bracket, Battery | |
| 45 | 1001165035 | 28 ft/ 8.5m | Hose | |
| 46 | 1001191620 | 2 | Clamp | |
| 47 | 1001218572 | 2 | Cap | |
| 48 | 1001235861 | 1 | Deutz TD2.9L4 Engine and Pump Sub-Assembly (STAGE V) (See Separate Breakdown in this Section) | |
| 49 | 1001235949 | 1 | Bracket Assembly Less Filter/Pump (See Separate Breakdown in this Section) | |
| 51 | 1001256879 | 1 | Bracket | |
| 52 | 1001146588 | 1 | Strap | |

SECTION 3 - ENGINE

FIGURE 3-11. DEUTZ TD2.9L4 ENGINE INSTALLATION (CHINA III SPECS)



ART_1001227616

SECTION 3 - ENGINE

FIGURE 3-11. DEUTZ TD2.9L4 ENGINE INSTALLATION (CHINA III SPECS)

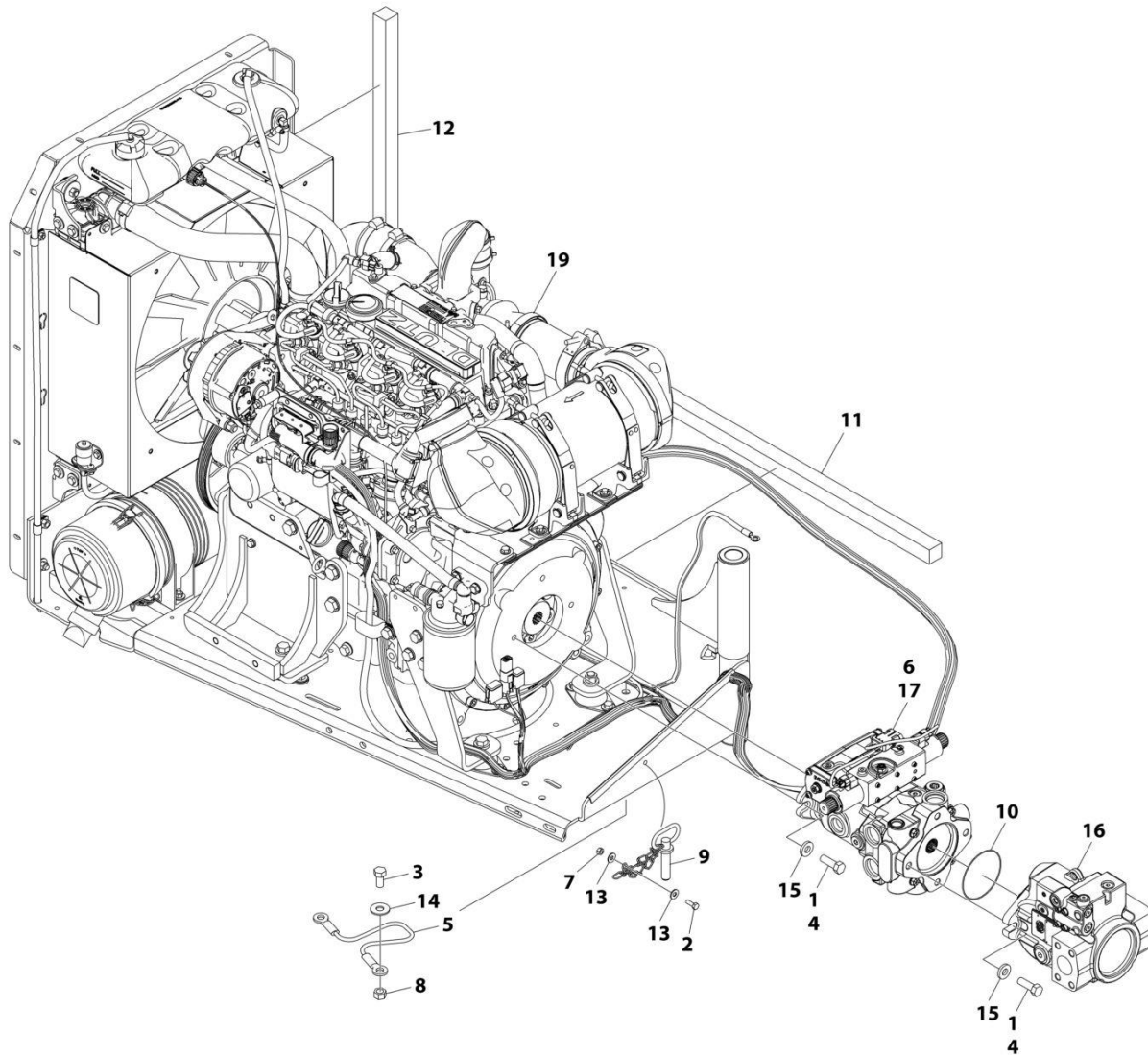
| ITEM | PART NUMBER | QTY | DESCRIPTION | REV |
|------|-------------|----------------|---|-----|
| | 1001227616 | Ref | DEUTZ ENGINE INSTALLATION | D |
| 1 | 0100011 | AR | Compound, Locking | |
| 2 | 0100020 | AR | Sealant, Pipe | |
| 4 | 0641406 | 2 | Bolt 1/4 x 3/4 | |
| 5 | 0641412 | 4 | Bolt 1/4 x 1-1/2 | |
| 6 | 0641508 | 1 | Bolt 5/16 x 1 | |
| 7 | 0641610 | 1 | Bolt 3/8 x 1-1/4 | |
| 8 | 0641611 | 4 | Bolt 3/8 x 1-3/8 | |
| 9 | 0641808 | 1 | Bolt 1/2 x 1 | |
| 10 | 0642012 | 1 | Bolt 5/8 x 1-1/2 | |
| 11 | 0681608 | 3 | Bolt 3/8 x 1 | |
| 12 | 0761008 | 1 | Bolt M10 x 16 | |
| 13 | 0771212 | 1 | Bolt M12 x 25 | |
| 14 | 1320011 | 1 | Clamp, Muffler (Located on Exhaust) | |
| 15 | 1320061 | 1 | Clamp | |
| 16 | 1321339 | 1 | Clamp | |
| 17 | 1701505 | 1 | Decal - Diesel Fuel (Not Shown Located on Fuel Tank) | |
| 18 | 2180832 | 1 | Fitting, 90 NPT/ Barbed | |
| 19 | 2220313 | 2 | Fitting, 90 NPT/Barbed | |
| 20 | 2750532 | 4 ft/ 1.2m | Hose (Vent Line) | |
| 21 | 3311405 | 2 | Nut 1/4-20 | |
| 22 | 3422446 | 1 | Pin, Pivot | |
| 23 | 3740067 | 1 | Relay | |
| 24 | 3841143 | 1 | Pin, Keeper | |
| 25 | 4240033 | AR | Tie-Strap (Not Shown) | |
| 26 | 4711400 | 7 | Washer 1/4 | |
| 28 | 4711600 | 2 | Washer 3/8 | |
| 29 | 4751600 | 3 | Washer 3/8 | |
| 30 | 4752000 | 1 | Washer 5/8 | |
| 31 | 4812000 | 1 | Washer M10 | |
| 32 | 4812100 | 3 | Washer M12 | |
| 33 | 8405006 | 1 | Clamp | |
| 34 | 8406102 | 1 | Clip | |
| 35 | 8410013 | 4 | Clamp | |
| 39 | 1001110425 | 4 | Spacer | |
| 41 | 1001153359 | 1 | Mount, Engine | |
| 43 | 1001155823 | 1 | Fitting, Quick Disconnect 90 | |
| 44 | 1001227224 | 1 | Bracket Assembly Less Filter/Pump (See Separate Breakdown in this Section) | |
| 45 | 1001162497 | 1 | Bracket, Battery | |
| 46 | 1001165035 | 28 ft/ 8.5m | Hose | |
| 48 | 1001221212 | 1 | Clamp (Located on Exhaust) | |
| 49 | 1001227615 | 1 | Deutz TD2.9L4 Engine and Pump Sub-Assembly (See Separate Breakdown in this Section) | |
| 50 | 1001247013 | 1 | Pipe | |
| 51 | 1001227620 | 1 | Plate (Located on Exhaust) | |
| 52 | 1001138491 | 1 | Harness, Fuel (Not Shown - See Separate Breakdown in ELECTRICAL SECTION) | |
| 53 | 1001143736 | 1 | Battery Cable Kit (Not Shown) | E |

SECTION 3 - ENGINE

| ITEM | PART NUMBER | QTY | DESCRIPTION | REV |
|------|-------------|-----|---|-----|
| 53 | 7027084 | 1 | Cable, Battery (Black) (Battery - to Tray Pivot Grd) | |
| 53 | 8270147 | 1 | Terminal, Battery (With Boot) | |
| 53 | 7027085 | 1 | Cable, Battery (Black) (Battery - to Aux Pump and Relay Grds) | |
| 53 | 7027086 | 1 | Cable, Battery (Black) (Engine to Tray Pivot Grd) | |
| 53 | 7027087 | 1 | Cable (Red) (Battery + to Aux Relay/Power Module/Starter) | |
| 53 | 7027088 | 1 | Cable (Red) (Aux Relay to Aux Pump) | |

SECTION 3 - ENGINE

FIGURE 3-12. DEUTZ TD2.9L4 ENGINE AND PUMP SUB-ASSEMBLY (WITHOUT ARCTIC PACKAGE)



ART_1001185667

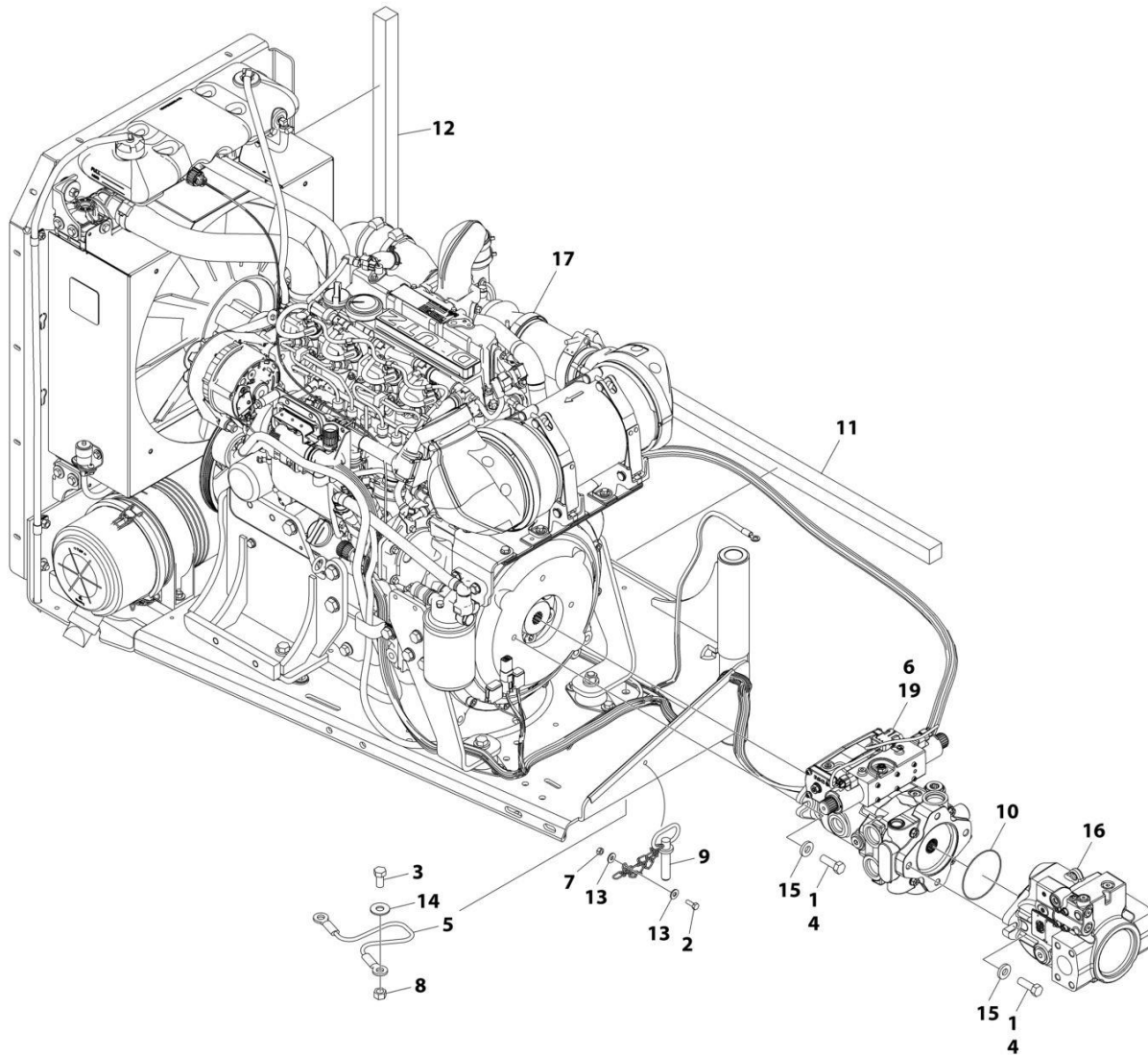
SECTION 3 - ENGINE

FIGURE 3-12. DEUTZ TD2.9L4 ENGINE AND PUMP SUB-ASSEMBLY (WITHOUT ARCTIC PACKAGE)

| ITEM | PART NUMBER | QTY | DESCRIPTION | REV |
|------|-------------|-----|--|-----|
| | 1001185667 | Ref | DEUTZ TD2.9L4 ENGINE AND PUMP SUB-ASSEMBLY (WITHOUT ARCTIC PACKAGE) | G |
| 1 | 0100011 | AR | Compound, Locking | |
| 2 | 0641406 | 1 | Bolt 1/4 x 3/4 | |
| 3 | 0641808 | 1 | Bolt 1/2 x 1 | |
| 4 | 0641812 | 4 | Bolt 1/2 x 1-1/2 | |
| 5 | 1060637 | 1 | Lanyard | |
| 6 | 3020037 | AR | Lubricant | |
| 7 | 3311405 | 1 | Nut 1/4 | |
| 8 | 3311801 | 1 | Nut 1/2 | |
| 9 | 3422532 | 1 | Pin | |
| 10 | 3790044 | 1 | O-Ring | |
| 11 | 3960468 | 1 | Seal | |
| 12 | 3960469 | 1 | Seal | |
| 13 | 4751400 | 2 | Washer 1/4 | |
| 14 | 4751800 | 1 | Washer 1/2 | |
| 15 | 4891800 | 4 | Washer 1/2 | |
| 16 | 1001094595 | 1 | Variable Pump Assembly (See Separate Breakdown in this Section) | |
| 17 | 1001225745 | 1 | Hydrostatic Pump Assembly (See Separate Breakdown in this Section) | |
| 19 | 1001176027 | 1 | Engine Assembly Without Arctic Package (See Separate Breakdown in this Section) | |

SECTION 3 - ENGINE

FIGURE 3-13. DEUTZ TD2.9L4 ENGINE AND PUMP SUB-ASSEMBLY (WITH ARCTIC PACKAGE)



ART_1001185671

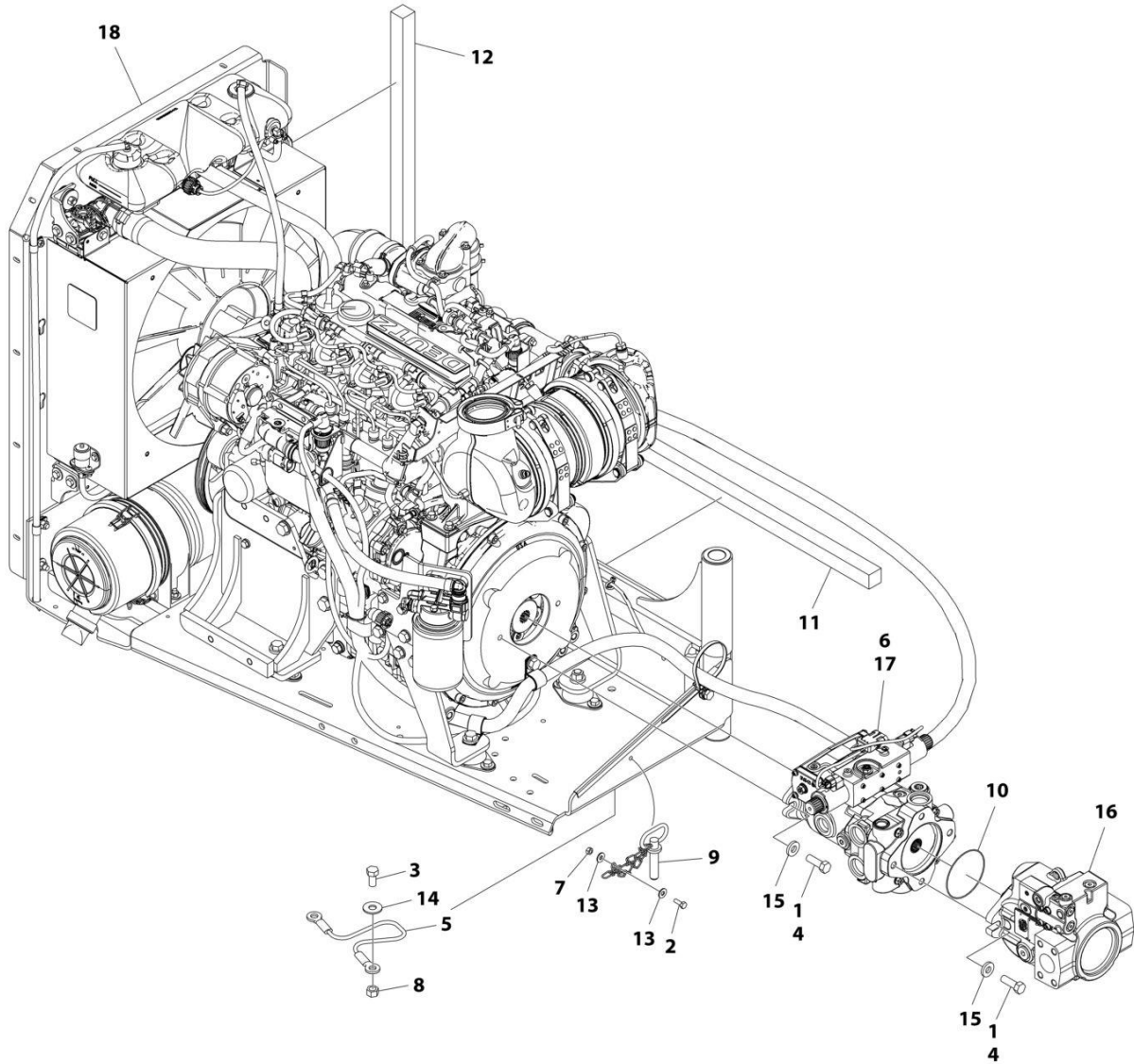
SECTION 3 - ENGINE

FIGURE 3-13. DEUTZ TD2.9L4 ENGINE AND PUMP SUB-ASSEMBLY (WITH ARCTIC PACKAGE)

| ITEM | PART NUMBER | QTY | DESCRIPTION | REV |
|------|-------------|-----|---|-----|
| | 1001185671 | Ref | DEUTZ TD2.9L4 ENGINE AND PUMP SUB-ASSEMBLY (WITH ARCTIC PACKAGE) | G |
| 1 | 0100011 | AR | Compound, Locking | |
| 2 | 0641406 | 1 | Bolt 1/4 x 3/4 | |
| 3 | 0641808 | 1 | Bolt 1/2 x 1 | |
| 4 | 0641812 | 4 | Bolt 1/2 x 1-1/2 | |
| 5 | 1060637 | 1 | Cable, Lanyard | |
| 6 | 3020037 | AR | Lubricant | |
| 7 | 3311405 | 1 | Nut 1/4 | |
| 8 | 3311801 | 1 | Nut 1/2 | |
| 9 | 3422532 | 1 | Pin, Hitch | |
| 10 | 3790044 | 1 | O-Ring | |
| 11 | 3960468 | 1 | Seal | |
| 12 | 3960469 | 1 | Seal | |
| 13 | 4751400 | 2 | Washer 1/4 | |
| 14 | 4751800 | 1 | Washer 1/2 | |
| 15 | 4891800 | 4 | Washer 1/2 | |
| 16 | 1001094595 | 1 | Variable Pump Assembly with Fittings (See Separate Breakdown in this Section) | |
| 17 | 1001176035 | 1 | Engine Assembly With Arctic Package (See Separate Breakdown in this Section) | |
| 19 | 1001225745 | 1 | Hydrostatic Pump Assembly (See Separate Breakdown in this Section) | |

SECTION 3 - ENGINE

FIGURE 3-14. DEUTZ TD2.9L4 ENGINE AND PUMP SUB-ASSEMBLY (STAGE V)



ART_1001235861

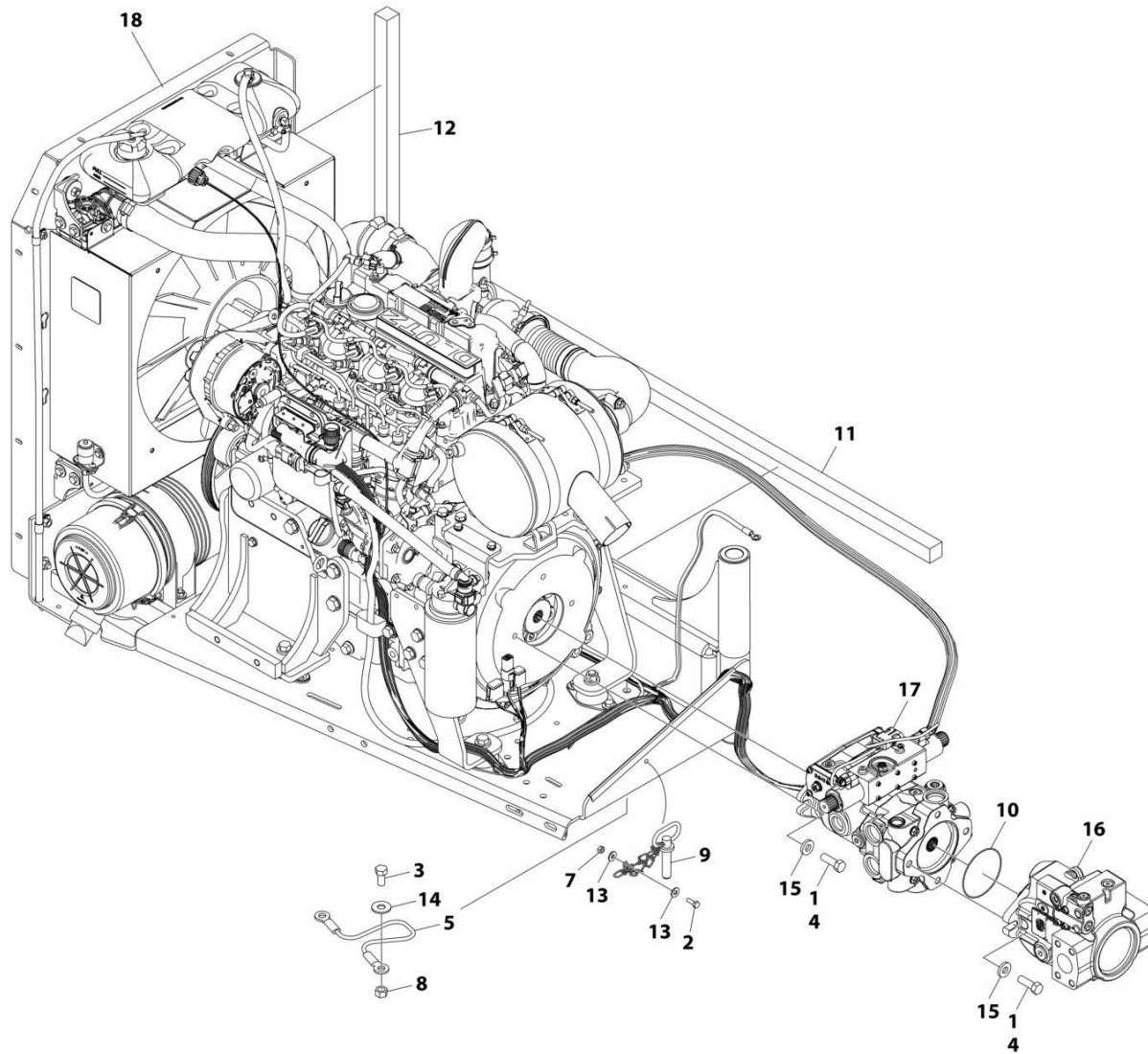
SECTION 3 - ENGINE

FIGURE 3-14. DEUTZ TD2.9L4 ENGINE AND PUMP SUB-ASSEMBLY (STAGE V)

| ITEM | PART NUMBER | QTY | DESCRIPTION | REV |
|------|-------------|-----|--|-----|
| | 1001235861 | Ref | DEUTZ TD2.9L4 ENGINE AND PUMP SUB-ASSEMBLY (STAGE V) | B |
| 1 | 0100011 | AR | Compound, Locking | |
| 2 | 0641406 | 1 | Bolt 1/4 x 3/4 | |
| 3 | 0641808 | 1 | Bolt 1/2 x 1 | |
| 4 | 0641812 | 4 | Bolt 1/2 x 1-1/2 | |
| 5 | 1060637 | 1 | Lanyard | |
| 6 | 3020037 | AR | Lubricant | |
| 7 | 3311405 | 1 | Nut 1/4 | |
| 8 | 3311801 | 1 | Nut 1/2 | |
| 9 | 3422532 | 1 | Pin, Hitch | |
| 10 | 3790044 | 1 | O-Ring | |
| 11 | 3960468 | 1 | Seal | |
| 12 | 3960469 | 1 | Seal | |
| 13 | 4751400 | 2 | Washer 1/4 | |
| 14 | 4751800 | 1 | Washer 1/2 | |
| 15 | 4891800 | 4 | Washer 1/2 | |
| 16 | 1001094595 | 1 | Variable Pump Assembly with Fittings (See Separate Breakdown in this Section) | |
| 17 | 1001225745 | 1 | Hydrostatic Pump Assembly (See Separate Breakdown in this Section) | |
| 18 | 1001235862 | 1 | Engine Assembly - DEUTZ 2.9L4 (Stage V) Engines (See Separate Breakdown in this Section) | |

SECTION 3 - ENGINE

FIGURE 3-15. DEUTZ TD2.9L4 ENGINE AND PUMP SUB-ASSEMBLY (CHINA III SPECS)



ART_1001227615

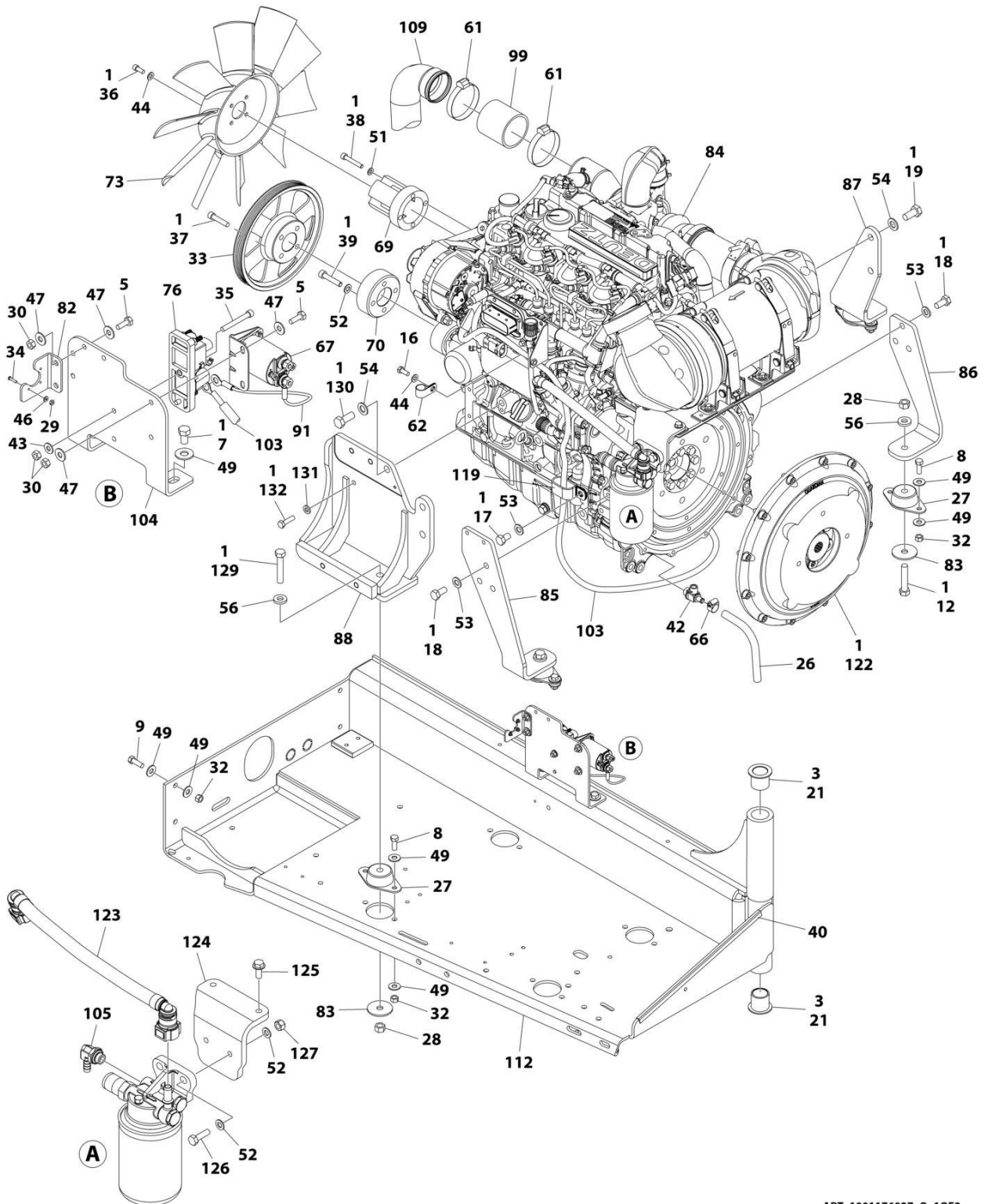
SECTION 3 - ENGINE

FIGURE 3-15. DEUTZ TD2.9L4 ENGINE AND PUMP SUB-ASSEMBLY (CHINA III SPECS)

| ITEM | PART NUMBER | QTY | DESCRIPTION | REV |
|------|-------------|-----|---|-----|
| | 1001227615 | Ref | DEUTZ TD2.9L4 ENGINE AND PUMP SUB-ASSEMBLY | F |
| 1 | 0100011 | AR | Compound, Locking | |
| 2 | 0641406 | 1 | Bolt 1/4 x 3/4 | |
| 3 | 0641808 | 1 | Bolt 1/2 x 1 | |
| 4 | 0641812 | 4 | Bolt 1/2 x 1-1/2 | |
| 5 | 1060637 | 1 | Lanyard | |
| 7 | 3311405 | 1 | Nut 1/4 | |
| 8 | 3311801 | 1 | Nut 1/2 | |
| 9 | 3422532 | 1 | Pin, Hitch | |
| 10 | 3790044 | 1 | O-Ring | |
| 11 | 3960468 | 1 | Seal | |
| 12 | 3960469 | 1 | Seal | |
| 13 | 4751400 | 2 | Washer 1/4 | |
| 14 | 4751800 | 1 | Washer 1/2 | |
| 15 | 4891800 | 4 | Washer 1/2 | |
| 16 | 1001094595 | 1 | Variable Pump Assembly with Fittings (See Separate Breakdown in this Section) | |
| 17 | 1001225745 | 1 | Hydrostatic Pump Assembly (See Separate Breakdown in this Section) | |
| 18 | 1001227614 | 1 | Engine Assembly (See Separate Breakdown in this Section) | |

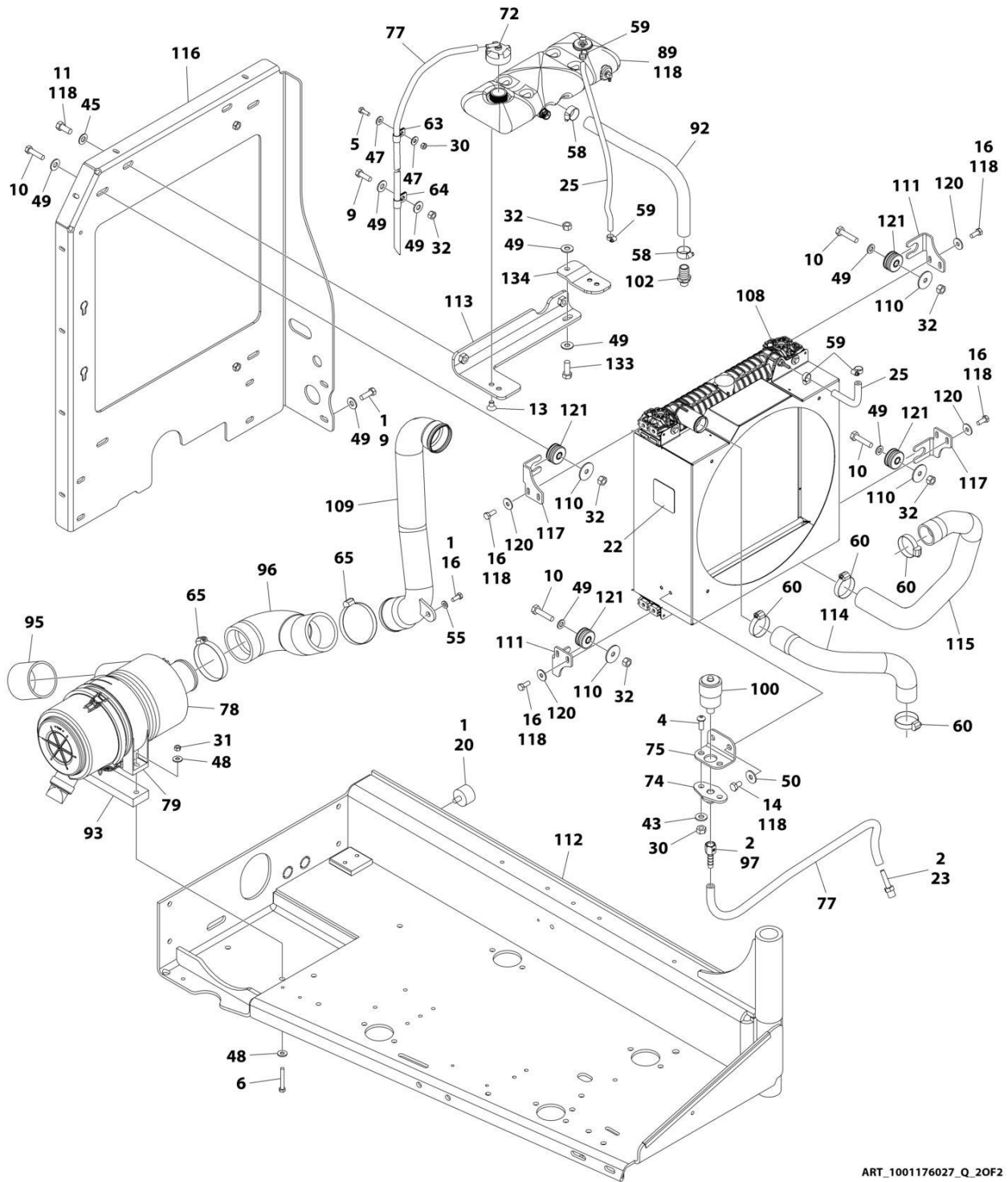
SECTION 3 - ENGINE

FIGURE 3-16. DEUTZ TD2.9L4 ENGINE ASSEMBLY (WITHOUT ARCTIC PACKAGE) (Prior to SN 0300279215)



ART_1001176027_Q_10F2

SECTION 3 - ENGINE



ART_1001176027_Q_20F2

SECTION 3 - ENGINE

FIGURE 3-16. DEUTZ TD2.9L4 ENGINE ASSEMBLY (WITHOUT ARCTIC PACKAGE) (Prior to SN 0300279215)

| ITEM | PART NUMBER | QTY | DESCRIPTION | REV |
|------|-------------|------------------|--|-----|
| | 1001176027 | Ref | ENGINE ASSEMBLY WITHOUT ARCTIC PACKAGE | Q |
| 1 | 0100011 | AR | Locking, Compound | |
| 2 | 0100020 | AR | Sealant | |
| 3 | 0100062 | 2 | Compound, Locking | |
| 4 | 0630407 | 5 | Screw 1/4 x 5/8 | |
| 5 | 0641406 | 2 | Bolt 1/4 x 3/4 | |
| 6 | 0641518 | 2 | Bolt 5/16 x 2-1/4 | |
| 7 | 0641605 | 8 | Bolt 3/8 x 5/8 | |
| 8 | 0641608 | 6 | Bolt 3/8 x 1 | |
| 9 | 0641609 | 4 | Bolt 3/8 x 1-1/8 | |
| 10 | 0641612 | 2 | Bolt 3/8 x 1-1/2 | |
| 11 | 0641708 | 3 | Bolt 7/16 x 1 | |
| 12 | 0681820 | 2 | Bolt 1/2 x 2-1/2 | |
| 13 | 0741605 | 2 | Screw 3/8 x 5/8 | |
| 14 | 0760605 | AR | Bolt M6 x 10 | |
| 16 | 0760810 | 10 | Bolt M8 x 20 | |
| 17 | 0761210 | 1 | Bolt M12 x 20 | |
| 18 | 0771212 | 6 | Bolt M12 x 25 | |
| 19 | 0771414 | 2 | Bolt M14 x 30 | |
| 20 | 0940070 | 1 | Bumper | |
| 21 | 0961986 | 2 | Bushing, Flanged | |
| 22 | 1703162 | 1 | Decal - Caution Fan Blade | |
| 23 | 2220315 | 1 | Fitting, Straight Barbed | |
| 25 | 2720015 | 40 in/1m | Hose | |
| 26 | 2720340 | 12 in /30.5cm | Hose | |
| 27 | 3200401 | 4 | Mount, Motor | |
| 28 | 3271801 | 4 | Nut 1/2-13 | |
| 29 | 3310401 | 3 | Nut #4 | |
| 30 | 3311405 | 8 | Nut 1/4 | |
| 31 | 3311505 | 2 | Locknut 5/16 | |
| 32 | 3311605 | 17 | Nut 3/8 | |
| 33 | 3580320 | 1 | Pulley | |
| 34 | 3910408 | 3 | Screw #4 x 1/2 | |
| 35 | 3931432 | 1 | Capscrew 1/4 x 2 | |
| 36 | 3931512 | 4 | Capscrew 5/16 x 3/4 | |
| 37 | 3931628 | 4 | Capscrew 3/8 x 1-3/4 | |
| 38 | 4031914 | 4 | Capscrew M8 x 50 | |
| 39 | 4032014 | 4 | Capscrew M10 x 50 | |
| 40 | 4060805 | 15 in /38cm | Flex-Trim | |
| 41 | 4240099 | AR | Tie-Strap (Not Shown) | |
| 42 | 4640751 | 1 | Valve, Oil Drain | |
| 43 | 4711400 | 3 | Washer 1/4 | |
| 44 | 4711500 | 5 | Washer 5/16 | |
| 45 | 4711700 | 2 | Washer 7/16 | |
| 46 | 4750400 | 3 | Washer #4 | |
| 47 | 4751400 | 10 | Washer 1/4 | |
| 48 | 4751500 | 4 | Washer 5/16 | |

SECTION 3 - ENGINE

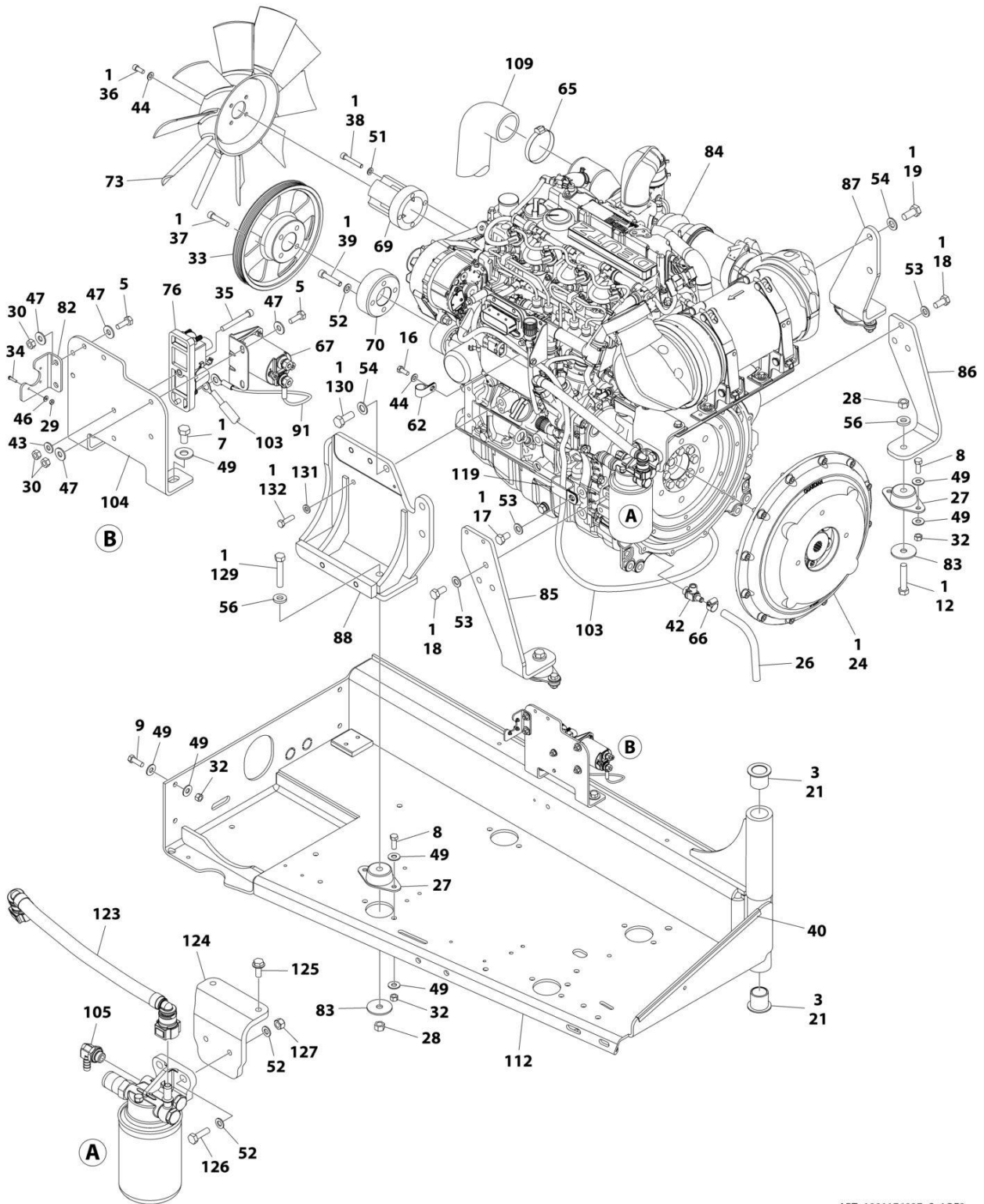
| ITEM | PART NUMBER | QTY | DESCRIPTION | REV |
|------|-------------|------------|--|-----|
| 49 | 4751600 | 34 | Washer 3/8 | |
| 50 | 4811702 | 2 | Washer M6 | |
| 51 | 4811900 | 4 | Washer M8 | |
| 52 | 4812000 | 8 | Washer M10 | |
| 53 | 4812100 | 7 | Washer M12 | |
| 54 | 4812200 | 5 | Washer M14 | |
| 55 | 4891500 | 1 | Washer 5/16 | |
| 56 | 4891800 | 4 | Washer 1/2 | |
| 58 | 8405007 | 2 | Clamp | |
| 59 | 8405009 | 4 | Clamp | |
| 60 | 8405104 | 4 | Clamp | |
| 61 | 8405204 | 2 | Clamp | |
| 62 | 8406102 | 1 | Clip | |
| 63 | 8406109 | 1 | Clip | |
| 64 | 8406110 | 1 | Clip | |
| 65 | 8410011 | 2 | Clamp | |
| 66 | 8410013 | 1 | Clamp | |
| 67 | 1001117308 | 1 | Relay | |
| 69 | 1001135138 | 1 | Adapter | |
| 70 | 1001135679 | 1 | Adapter | |
| 72 | 1001136834 | 1 | Cap, Tank | |
| 73 | 1001137276 | 1 | Fan | |
| 74 | 1001138173 | 1 | Support | |
| 75 | 1001138175 | 1 | Bracket | |
| 76 | 1001138228 | 1 | Relay, Power Module | |
| 76 | 70023593 | 1 | Fuse 30Amp (Battery Output) | |
| 76 | 70023592 | 1 | Fuse 20Amp (Switch Output) | |
| 77 | 1001138248 | 62 in/1.6m | Tube | |
| 78 | 1001138489 | 1 | Air Cleaner Assembly | |
| 78 | 91403102 | 1 | Element, Filter | |
| 79 | 1001138557 | 1 | Clamp | |
| 82 | 1001139240 | 1 | Bracket | |
| 83 | 1001139409 | 4 | Washer, Special | |
| 84 | 1001249942 | 1 | Engine, Deutz TD2.9L4 T4F (See Separate Breakdown in this Section) | |
| 85 | 1001140448 | 1 | Mount, Rear Engine | |
| 86 | 1001140450 | 1 | Mount, Rear Engine | |
| 87 | 1001140454 | 1 | Mount, Front Engine | |
| 88 | 1001202368 | 1 | Mount, Generator/Engine | |
| 89 | 1001230635 | 1 | Tank | |
| 89 | 0100020 | AR | Sealant, Pipe | |
| 89 | 1001134488 | 1 | Fitting, 90 NPT/ Barbed | |
| 89 | 1001138827 | 1 | Sensor, Coolant Level | |
| 89 | 1001140564 | 1 | Fitting, 90 NPT/ Barbed | |
| 89 | 1001229542 | 1 | Tank, Surge | |
| 91 | 1001141304 | 1 | Harness, Glow Plug | |
| 92 | 1001141370 | 1 | Hose | |
| 93 | 1001141419 | 1 | Shim | |
| 95 | 1001141585 | 1 | Hose, Inlet | |
| 96 | 1001141586 | 1 | Pipe, Intake | |
| 97 | 1001141995 | 1 | Fitting, Straight NPT/Barbed | |
| 99 | 1001142623 | 1 | Hose, Inlet | |

SECTION 3 - ENGINE

| ITEM | PART NUMBER | QTY | DESCRIPTION | REV |
|------|-------------|-----|--|-----|
| 100 | 1001143390 | 1 | Indicator, Service | |
| 101 | 1001143726 | 1 | Harness, Deutz Engine (Not Shown - See Separate Breakdown in ELECTRICAL SECTION) | |
| 102 | 1001143797 | 1 | Fitting, Straight Metric/Barbed | |
| 103 | 1001143907 | 1 | Cable, Alternator Power | |
| 104 | 1001145154 | 1 | Plate, Relay Mounting | |
| 105 | 1001152489 | 1 | Fitting, 90 Metric/ Barbed | |
| 108 | 1001167042 | 1 | Radiator | |
| 109 | 1001165842 | 1 | Pipe | |
| 110 | 1001169138 | 4 | Washer | |
| 111 | 1001204325 | 2 | Bracket, Radiator | |
| 112 | 1001190610 | 1 | Tray | |
| 113 | 1001260413 | 1 | Bracket, Tank | |
| 114 | 1001177844 | 1 | Hose, Radiator - Upper | |
| 115 | 1001177845 | 1 | Hose, Radiator - Lower | |
| 116 | 1001186985 | 1 | Plate, Mounting (Modine Radiator) | |
| 117 | 1001178223 | 2 | Bracket, Radiator | |
| 118 | 1001180620 | 1 | Adhesive | |
| 119 | 1001181899 | 1 | P-Clamp | |
| 120 | 4811902 | 8 | Washer M8 | |
| 121 | 1001169054 | 4 | Pad, Isolator | |
| 122 | 1001153282 | 1 | Pump Coupling Kit (See Separate Breakdown in this section) | |
| 123 | 1001177359 | 1 | Hose | |
| 124 | 1001178876 | 1 | Mount, Fuel Filter | |
| 125 | 5250810 | 2 | Bolt M8 x 20 | |
| 126 | 0761015 | 2 | Bolt M10 x 35 | |
| 127 | 3291005 | 2 | Nut M10 | |
| 129 | 0681822 | 1 | Bolt 1/2 x 2-3/4 Grade 8 | |
| 130 | 0771415 | 3 | Bolt M14 x 35 Grade 10.9 | |
| 131 | 5240800 | 1 | Washer M8 | |
| 132 | 0700814 | 1 | Bolt M8 x 30 | |
| 133 | 0681608 | 1 | Bolt 3/8 x 1 Grade 8 | |
| 134 | 1001260412 | 1 | Bracket | |

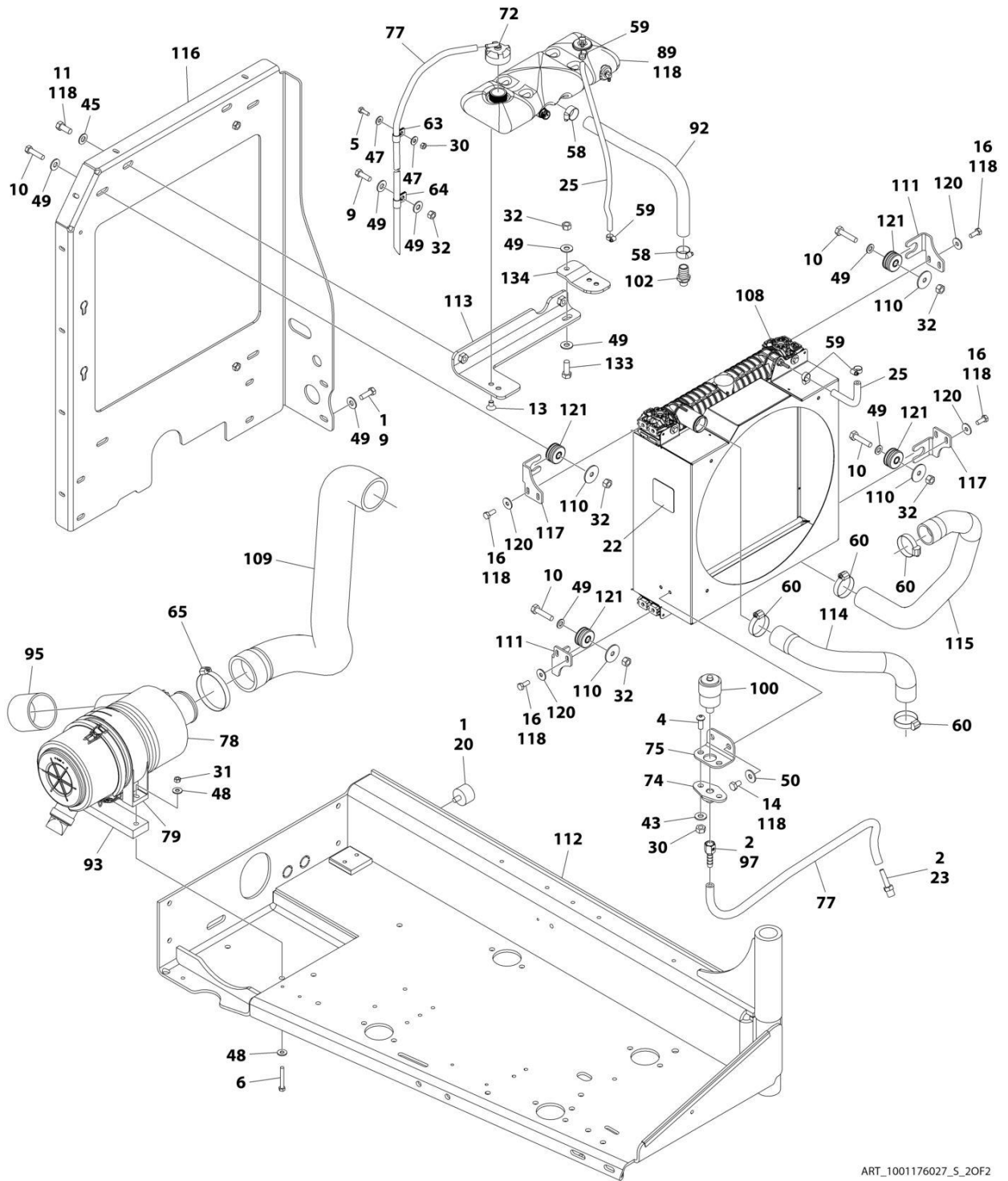
SECTION 3 - ENGINE

FIGURE 3-17. DEUTZ TD2.9L4 ENGINE ASSEMBLY (WITHOUT ARCTIC PACKAGE) (SN 0300279215 to Present)



ART_1001176027_S_10F2

SECTION 3 - ENGINE



ART_1001176027_S_2OF2

SECTION 3 - ENGINE

FIGURE 3-17. DEUTZ TD2.9L4 ENGINE ASSEMBLY (WITHOUT ARCTIC PACKAGE) (SN 0300279215 to Present)

| ITEM | PART NUMBER | QTY | DESCRIPTION | REV |
|------|-------------|------------------|--|-----|
| | 1001176027 | Ref | ENGINE ASSEMBLY WITHOUT ARCTIC PACKAGE | S |
| 1 | 0100011 | AR | Locking, Compound | |
| 2 | 0100020 | AR | Sealant | |
| 3 | 0100062 | 2 | Compound, Locking | |
| 4 | 0630407 | 5 | Screw 1/4 x 5/8 | |
| 5 | 0641406 | 2 | Bolt 1/4 x 3/4 | |
| 6 | 0641518 | 2 | Bolt 5/16 x 2-1/4 | |
| 7 | 0641605 | 8 | Bolt 3/8 x 5/8 | |
| 8 | 0641608 | 6 | Bolt 3/8 x 1 | |
| 9 | 0641609 | 4 | Bolt 3/8 x 1-1/8 | |
| 10 | 0641612 | 2 | Bolt 3/8 x 1-1/2 | |
| 11 | 0641708 | 3 | Bolt 7/16 x 1 | |
| 12 | 0681820 | 2 | Bolt 1/2 x 2-1/2 | |
| 13 | 0741605 | 2 | Screw 3/8 x 5/8 | |
| 14 | 0760605 | AR | Bolt M6 x 10 | |
| 16 | 0760810 | 9 | Bolt M8 x 20 | |
| 17 | 0761210 | 1 | Bolt M12 x 20 | |
| 18 | 0771212 | 6 | Bolt M12 x 25 | |
| 19 | 0771414 | 2 | Bolt M14 x 30 | |
| 20 | 0940070 | 1 | Bumper | |
| 21 | 0961986 | 2 | Bushing, Flanged | |
| 22 | 1703162 | 1 | Decal - Caution Fan Blade | |
| 23 | 2220315 | 1 | Fitting, Straight Barbed | |
| 25 | 2720015 | 40 in/1m | Hose | |
| 26 | 2720340 | 12 in /30.5cm | Hose | |
| 27 | 3200401 | 4 | Mount, Motor | |
| 28 | 3271801 | 4 | Nut 1/2-13 | |
| 29 | 3310401 | 3 | Nut #4 | |
| 30 | 3311405 | 8 | Nut 1/4 | |
| 31 | 3311505 | 2 | Locknut 5/16 | |
| 32 | 3311605 | 17 | Nut 3/8 | |
| 33 | 3580320 | 1 | Pulley | |
| 34 | 3910408 | 3 | Screw #4 x 1/2 | |
| 35 | 3931432 | 1 | Capscrew 1/4 x 2 | |
| 36 | 3931512 | 4 | Capscrew 5/16 x 3/4 | |
| 37 | 3931628 | 4 | Capscrew 3/8 x 1-3/4 | |
| 38 | 4031914 | 4 | Capscrew M8 x 50 | |
| 39 | 4032014 | 4 | Capscrew M10 x 50 | |
| 40 | 4060805 | 15 in /38cm | Flex-Trim | |
| 41 | 4240099 | AR | Tie-Strap (Not Shown) | |
| 42 | 4640751 | 1 | Valve, Oil Drain | |
| 43 | 4711400 | 3 | Washer 1/4 | |
| 44 | 4711500 | 5 | Washer 5/16 | |
| 45 | 4711700 | 2 | Washer 7/16 | |
| 46 | 4750400 | 3 | Washer #4 | |
| 47 | 4751400 | 10 | Washer 1/4 | |
| 48 | 4751500 | 4 | Washer 5/16 | |

SECTION 3 - ENGINE

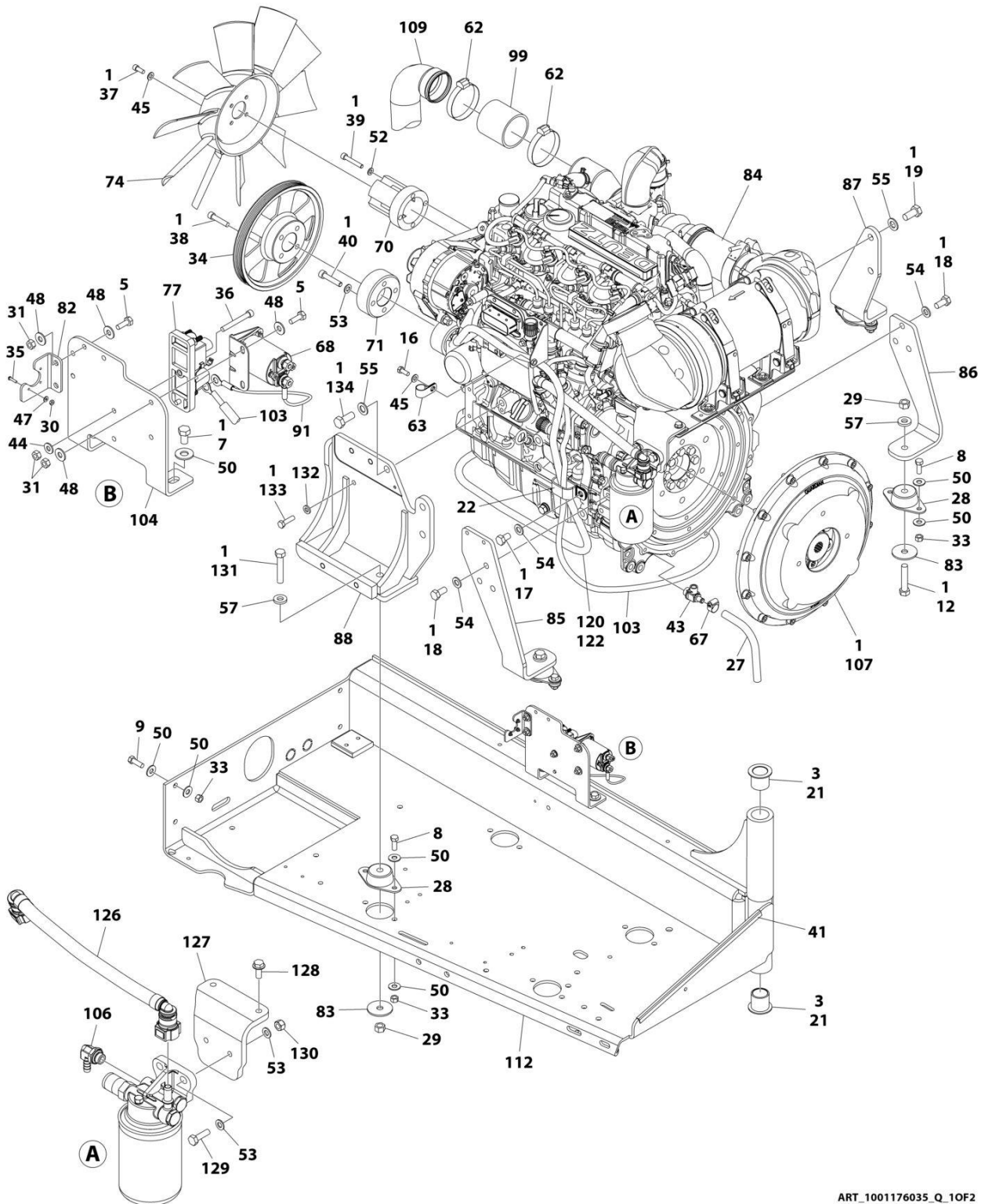
| ITEM | PART NUMBER | QTY | DESCRIPTION | REV |
|------|-------------|------------|--|-----|
| 49 | 4751600 | 34 | Washer 3/8 | |
| 50 | 4811702 | 2 | Washer M6 | |
| 51 | 4811900 | 4 | Washer M8 | |
| 52 | 4812000 | 8 | Washer M10 | |
| 53 | 4812100 | 7 | Washer M12 | |
| 54 | 4812200 | 5 | Washer M14 | |
| 56 | 4891800 | 4 | Washer 1/2 | |
| 58 | 8405007 | 2 | Clamp | |
| 59 | 8405009 | 4 | Clamp | |
| 60 | 8405104 | 4 | Clamp | |
| 62 | 8406102 | 1 | Clip | |
| 63 | 8406109 | 1 | Clip | |
| 64 | 8406110 | 1 | Clip | |
| 65 | 8410011 | 2 | Clamp | |
| 66 | 8410013 | 1 | Clamp | |
| 67 | 1001117308 | 1 | Relay | |
| 69 | 1001135138 | 1 | Adapter | |
| 70 | 1001135679 | 1 | Adapter | |
| 72 | 1001136834 | 1 | Cap, Tank | |
| 73 | 1001137276 | 1 | Fan | |
| 74 | 1001138173 | 1 | Support | |
| 75 | 1001138175 | 1 | Bracket | |
| 76 | 1001138228 | 1 | Relay, Power Module | |
| 76 | 70023593 | 1 | Fuse 30Amp (Battery Output) | |
| 76 | 70023592 | 1 | Fuse 20Amp (Switch Output) | |
| 77 | 1001138248 | 62 in/1.6m | Tube | |
| 78 | 1001138489 | 1 | Air Cleaner Assembly | |
| 78 | 91403102 | 1 | Element, Filter | |
| 79 | 1001138557 | 1 | Clamp | |
| 82 | 1001139240 | 1 | Bracket | |
| 83 | 1001139409 | 4 | Washer, Special | |
| 84 | 1001249942 | 1 | Engine, Deutz TD2.9L4 T4F (See Separate Breakdown in this Section) | |
| 85 | 1001140448 | 1 | Mount, Rear Engine | |
| 86 | 1001140450 | 1 | Mount, Rear Engine | |
| 87 | 1001140454 | 1 | Mount, Front Engine | |
| 88 | 1001202368 | 1 | Mount, Generator/Engine | |
| 89 | 1001230635 | 1 | Tank | |
| 89 | 0100020 | AR | Sealant, Pipe | |
| 89 | 1001134488 | 1 | Fitting, 90 NPT/ Barbed | |
| 89 | 1001138827 | 1 | Sensor, Coolant Level | |
| 89 | 1001140564 | 1 | Fitting, 90 NPT/ Barbed | |
| 89 | 1001229542 | 1 | Tank, Surge | |
| 91 | 1001141304 | 1 | Harness, Glow Plug | |
| 92 | 1001141370 | 1 | Hose | |
| 93 | 1001267256 | 1 | Shim | |
| 95 | 1001141585 | 1 | Hose, Inlet | |
| 97 | 1001141995 | 1 | Fitting, Straight NPT/Barbed | |
| 100 | 1001143390 | 1 | Indicator, Service | |
| 101 | 1001143726 | 1 | Harness, Deutz Engine (Not Shown - See Separate Breakdown in ELECTRICAL SECTION) | |
| 102 | 1001143797 | 1 | Fitting, Straight Metric/Barbed | |

SECTION 3 - ENGINE

| ITEM | PART NUMBER | QTY | DESCRIPTION | REV |
|------|-------------|-----|--|-----|
| 103 | 1001143907 | 1 | Cable, Alternator Power | |
| 104 | 1001145154 | 1 | Plate, Relay Mounting | |
| 105 | 1001152489 | 1 | Fitting, 90 Metric/Barbed | |
| 108 | 1001167042 | 1 | Radiator | |
| 109 | 1001266525 | 1 | Hose | |
| 110 | 1001169138 | 4 | Washer | |
| 111 | 1001204325 | 2 | Bracket, Radiator | |
| 112 | 1001190610 | 1 | Tray | |
| 113 | 1001260413 | 1 | Bracket, Tank | |
| 114 | 1001177844 | 1 | Hose, Radiator - Upper | |
| 115 | 1001177845 | 1 | Hose, Radiator - Lower | |
| 116 | 1001186985 | 1 | Plate, Mounting (Modine Radiator) | |
| 117 | 1001178223 | 2 | Bracket, Radiator | |
| 118 | 1001180620 | 1 | Adhesive | |
| 119 | 1001181899 | 1 | P-Clamp | |
| 120 | 4811902 | 8 | Washer M8 | |
| 121 | 1001169054 | 4 | Pad, Isolator | |
| 122 | 1001153282 | 1 | Pump Coupling Kit (See Separate Breakdown in this section) | |
| 123 | 1001177359 | 1 | Hose | |
| 124 | 1001178876 | 1 | Mount, Fuel Filter | |
| 125 | 5250810 | 2 | Bolt M8 x 20 | |
| 126 | 0761015 | 2 | Bolt M10 x 35 | |
| 127 | 3291005 | 2 | Nut M10 | |
| 129 | 0681822 | 1 | Bolt 1/2 x 2-3/4 Grade 8 | |
| 130 | 0771415 | 3 | Bolt M14 x 35 Grade 10.9 | |
| 131 | 5240800 | 1 | Washer M8 | |
| 132 | 0700814 | 1 | Bolt M8 x 30 | |
| 133 | 0681608 | 1 | Bolt 3/8 x 1 Grade 8 | |
| 134 | 1001260412 | 1 | Bracket | |

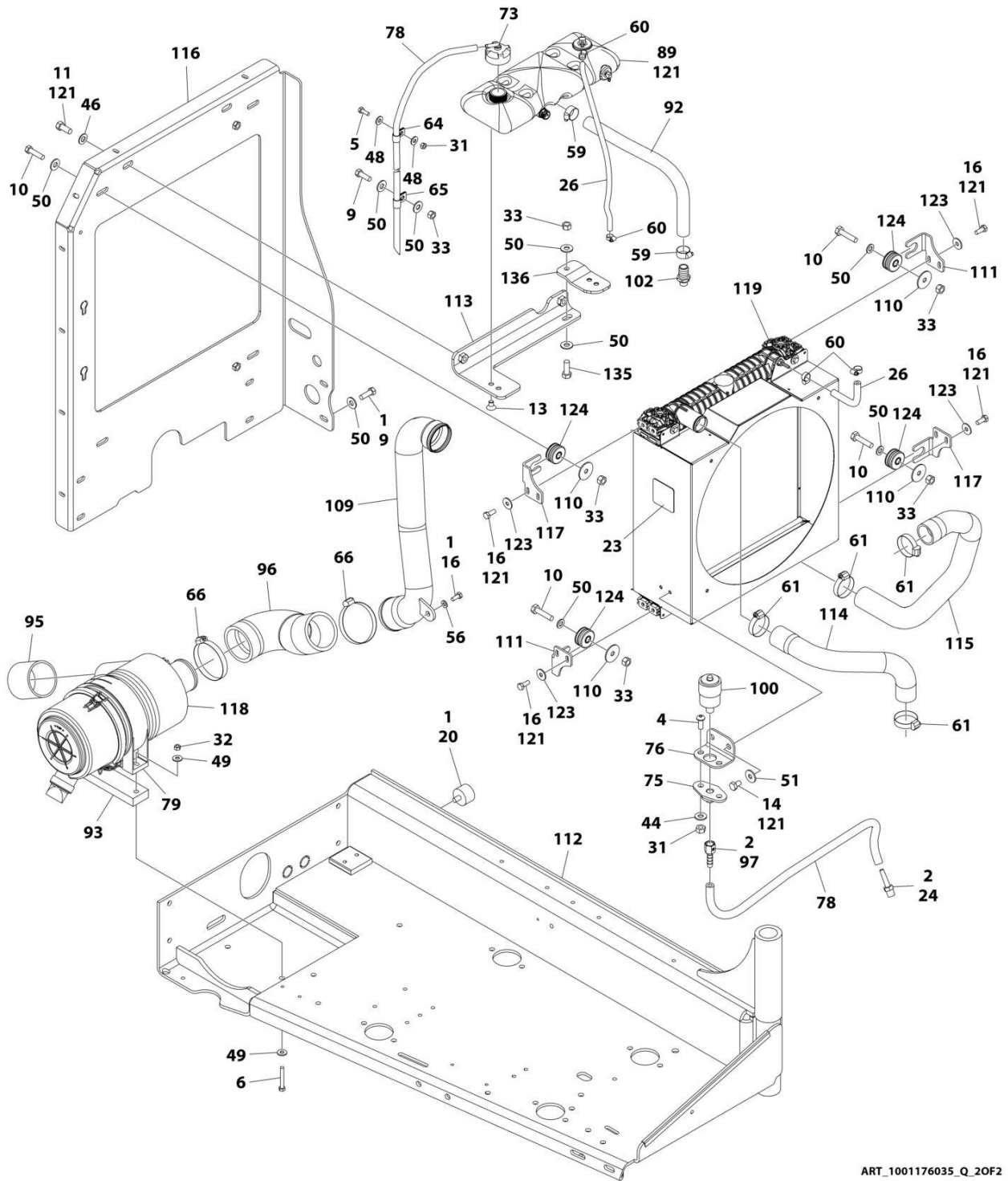
SECTION 3 - ENGINE

FIGURE 3-18. DEUTZ TD2.9L4 ENGINE ASSEMBLY (WITH ARCTIC PACKAGE) (Prior to SN 0300279215)



ART_1001176035_Q_10F2

SECTION 3 - ENGINE



ART_1001176035_Q_20F2

SECTION 3 - ENGINE

FIGURE 3-18. DEUTZ TD2.9L4 ENGINE ASSEMBLY (WITH ARCTIC PACKAGE) (Prior to SN 0300279215)

| ITEM | PART NUMBER | QTY | DESCRIPTION | REV |
|------|-------------|------------------|---|-----|
| | 1001176035 | Ref | DEUTZ TD2.9L4 ENGINE ASSEMBLY (WITH ARCTIC PACKAGE) | Q |
| 1 | 0100011 | AR | Locking, Compound | |
| 2 | 0100020 | AR | Sealant | |
| 3 | 0100062 | 2 | Compound, Locking | |
| 4 | 0630407 | 5 | Screw 1/4 x 5/8 | |
| 5 | 0641406 | 2 | Bolt 1/4 x 3/4 | |
| 6 | 0641518 | 2 | Bolt 5/16 x 2-1/4 | |
| 7 | 0641605 | 8 | Bolt 3/8 x 5/8 | |
| 8 | 0641608 | 6 | Bolt 3/8 x 1 | |
| 9 | 0641609 | 4 | Bolt 3/8 x 1-1/8 | |
| 10 | 0641612 | 2 | Bolt 3/8 x 1-1/2 | |
| 11 | 0641708 | 3 | Bolt 7/16 x 1 | |
| 12 | 0681820 | 2 | Bolt 1/2 x 2-1/2 Grade 8 | |
| 13 | 0741605 | 2 | Screw 3/8 x 5/8 | |
| 14 | 0760605 | 2 | Bolt M6 x 10 | |
| 16 | 0760810 | 10 | Bolt M8 x 20 | |
| 17 | 0761210 | 1 | Bolt M12 x 20 | |
| 18 | 0771212 | 6 | Bolt M12 x 25 Grade 10.9 | |
| 19 | 0771414 | 2 | Bolt M14 x 30 Grade 10.9 | |
| 20 | 0940070 | 1 | Bumper | |
| 21 | 0961986 | 2 | Bushing, Flanged | |
| 22 | 1001181899 | 1 | P-Clamp | |
| 23 | 1703162 | 1 | Decal - Caution Fan Blade | |
| 24 | 2220315 | 1 | Fitting, Straight Barbed | |
| 26 | 2720015 | 40 in/1m | Hose | |
| 27 | 2720340 | 12 in /30.5cm | Hose | |
| 28 | 3200401 | 4 | Mount, Motor | |
| 29 | 3271801 | 4 | Nut 1/2 | |
| 30 | 3310401 | 3 | Nut #4 | |
| 31 | 3311405 | 8 | Nut 1/4 | |
| 32 | 3311505 | 2 | Nut 5/16 | |
| 33 | 3311605 | 17 | Nut 3/8 | |
| 34 | 3580320 | 1 | Pulley | |
| 35 | 3910408 | 3 | Screw #4 x 1/2 | |
| 36 | 3931432 | 1 | Capscrew 1/4 x 2 | |
| 37 | 3931512 | 4 | Capscrew 5/16 x 3/4 | |
| 38 | 3931628 | 4 | Capscrew 3/8 x 1-3/4 | |
| 39 | 4031914 | 4 | Capscrew M8 x 50 | |
| 40 | 4032014 | 4 | Capscrew M10 x 50 | |
| 41 | 4060805 | 15 in /38cm | Flex-Trim | |
| 42 | 4240099 | AR | Tie-Strap (Not Shown) | |
| 43 | 4640751 | 1 | Valve, Oil Drain | |
| 44 | 4711400 | 3 | Washer 1/4 | |
| 45 | 4711500 | 5 | Washer 5/16 | |
| 46 | 4711700 | 2 | Washer 7/16 | |
| 47 | 4750400 | 3 | Washer #4 | |
| 48 | 4751400 | 10 | Washer 1/4 | |

SECTION 3 - ENGINE

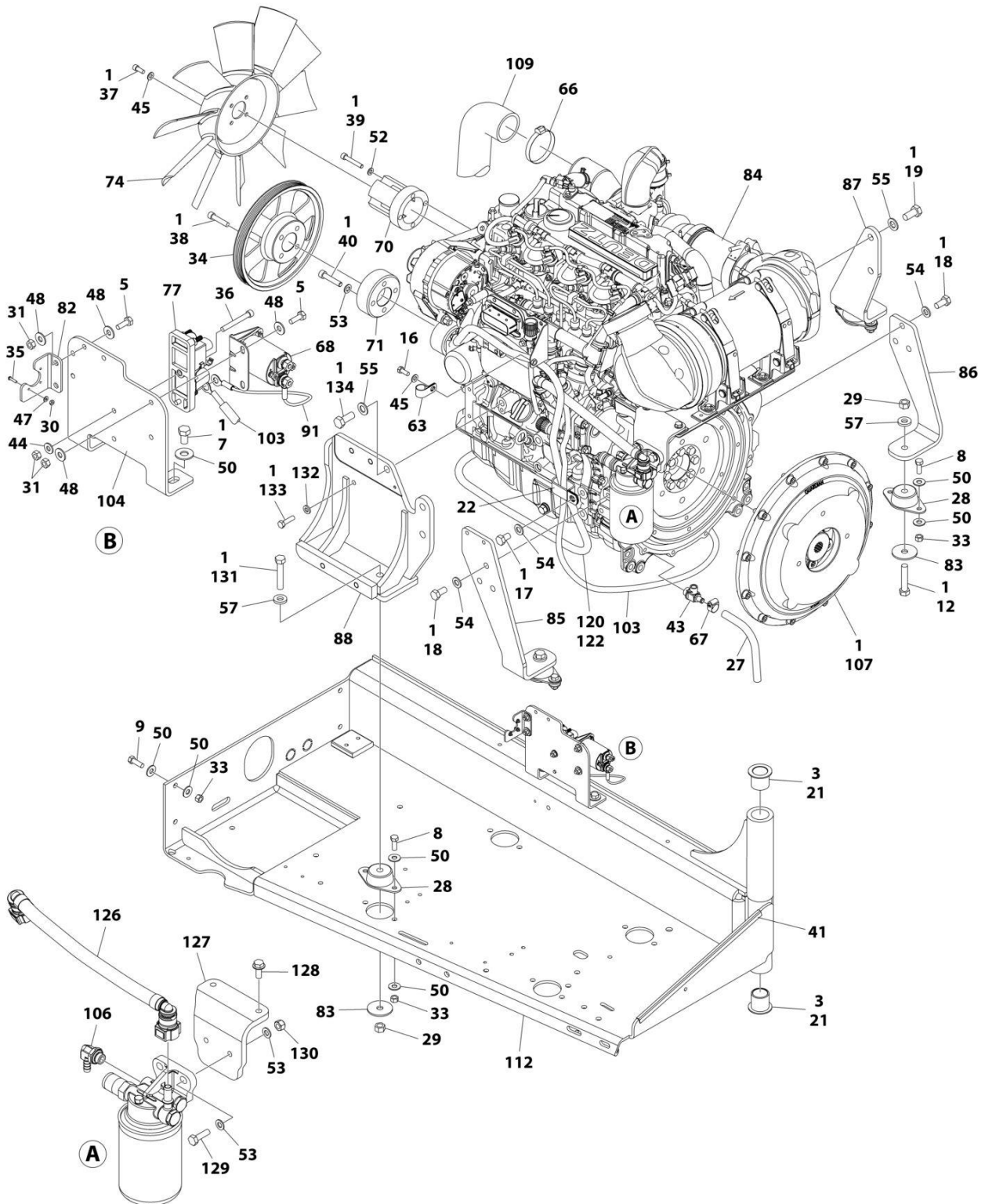
| ITEM | PART NUMBER | QTY | DESCRIPTION | REV |
|------|-------------|------------|--|-----|
| 49 | 4751500 | 4 | Washer 5/16 | |
| 50 | 4751600 | 34 | Washer 3/8 | |
| 51 | 4811702 | 2 | Washer M6 | |
| 52 | 4811900 | 4 | Washer M8 | |
| 53 | 4812000 | 8 | Washer M10 | |
| 54 | 4812100 | 7 | Washer M12 | |
| 55 | 4812200 | 5 | Washer M14 | |
| 56 | 4891500 | 1 | Washer 5/16 | |
| 57 | 4891800 | 4 | Washer 1/2 | |
| 59 | 8405007 | 2 | Clamp | |
| 60 | 8405009 | 4 | Clamp | |
| 61 | 8405104 | 4 | Clamp | |
| 62 | 8405204 | 2 | Clamp | |
| 63 | 8406102 | 1 | Clip | |
| 64 | 8406109 | 1 | Clip | |
| 65 | 8406110 | 1 | Clip | |
| 66 | 8410011 | 2 | Clamp | |
| 67 | 8410013 | 1 | Clamp | |
| 68 | 1001117308 | 1 | Relay | |
| 70 | 1001135138 | 1 | Adapter | |
| 71 | 1001135679 | 1 | Adapter | |
| 73 | 1001136834 | 1 | Cap, Tank | |
| 74 | 1001137276 | 1 | Fan | |
| 75 | 1001138173 | 1 | Support | |
| 76 | 1001138175 | 1 | Bracket | |
| 77 | 1001138228 | 1 | Relay, Power Module | |
| 77 | 70023592 | 1 | Fuse 20Amp (Switch Output) | |
| 77 | 70023593 | 1 | Fuse 30Amp (Battery Output) | |
| 78 | 1001138248 | 62 in/1.6m | Tube | |
| 79 | 1001138557 | 1 | Clamp | |
| 82 | 1001139240 | 1 | Bracket | |
| 83 | 1001139409 | 4 | Washer, Special | |
| 84 | 1001249942 | 1 | Engine, Deutz TD2.9L4 T4F (See Separate Breakdown in this Section) | |
| 85 | 1001140448 | 1 | Mount, Rear Engine | |
| 86 | 1001140450 | 1 | Mount, Rear Engine | |
| 87 | 1001140454 | 1 | Mount, Front Engine | |
| 88 | 1001202368 | 1 | Mount, Generator/Engine | |
| 89 | 1001230635 | 1 | Tank | |
| 89 | 0100020 | 1 | Sealant | |
| 89 | 1001134488 | 1 | Fitting, 90 NPT/ Barbed | |
| 89 | 1001138827 | 1 | Sensor, Coolant Level | |
| 89 | 1001140564 | 1 | Fitting, 90 NPT/ Barbed | |
| 89 | 1001229542 | 1 | Tank, Surge | |
| 91 | 1001141304 | 1 | Harness, Glow Plug | |
| 92 | 1001141370 | 1 | Hose | |
| 93 | 1001141419 | 1 | Shim | |
| 95 | 1001141585 | 1 | Hose, Inlet | |
| 96 | 1001141586 | 1 | Pipe, Intake | |
| 97 | 1001141995 | 1 | Fitting, Straight NPT/Barbed | |
| 99 | 1001142623 | 1 | Hose, Inlet | |
| 100 | 1001143390 | 1 | Indicator, Service | |

SECTION 3 - ENGINE

| ITEM | PART NUMBER | QTY | DESCRIPTION | REV |
|------|-------------|-----|--|-----|
| 101 | 1001143726 | 1 | Harness, Deutz Engine (Not Shown - See Separate Breakdown in ELECTRICAL SECTION) | |
| 102 | 1001143797 | 1 | Fitting, Straight Metric/Barbed | |
| 103 | 1001143907 | 1 | Cable, Alternator Power | |
| 104 | 1001145154 | 1 | Plate, Relay Mounting | |
| 106 | 1001152489 | 1 | Fitting, 90 Metric/Barbed | |
| 107 | 1001153282 | 1 | Pump Coupling Kit (See Separate Breakdown in this Section) | |
| 109 | 1001165842 | 1 | Pipe | |
| 110 | 1001169138 | 4 | Washer | |
| 111 | 1001204325 | 2 | Bracket, Radiator | |
| 112 | 1001190610 | 1 | Tray | |
| 113 | 1001260413 | 1 | Bracket, Tank | |
| 114 | 1001177844 | 1 | Hose, Radiator - Upper | |
| 115 | 1001177845 | 1 | Hose, Radiator - Lower | |
| 116 | 1001186985 | 1 | Plate, Mounting | |
| 117 | 1001178223 | 2 | Bracket, Radiator | |
| 118 | 1001138489 | 1 | Air Cleaner Assembly | |
| 118 | 91403102 | 1 | Element, Filter | |
| 119 | 1001167042 | 1 | Radiator | |
| 120 | 1001140312 | 1 | Heater, Engine Block | |
| 121 | 1001180620 | 1 | Adhesive | |
| 122 | 1001181895 | 1 | Adhesive | |
| 123 | 4811902 | 8 | Washer M8 | |
| 124 | 1001169054 | 4 | Pad, Isolator | |
| 126 | 1001177359 | 1 | Hose | |
| 127 | 1001178876 | 1 | Mount, Fuel Filter | |
| 128 | 5250810 | 2 | Bolt M8 x 20 | |
| 129 | 0761015 | 2 | Bolt M10 x 35 | |
| 130 | 3291005 | 2 | Nut M10 | |
| 131 | 0681822 | 1 | Bolt 1/2 x 2-3/4 Grade 8 | |
| 132 | 5240800 | 1 | Washer M8 | |
| 133 | 0700814 | 1 | Bolt M8 x 30 | |
| 134 | 0771415 | 3 | Bolt M14 x 35 Grade 10.9 | |
| 135 | 0681608 | 1 | Bolt 3/8 x 1 Grade 8 | |
| 136 | 1001260412 | 1 | Bracket | |

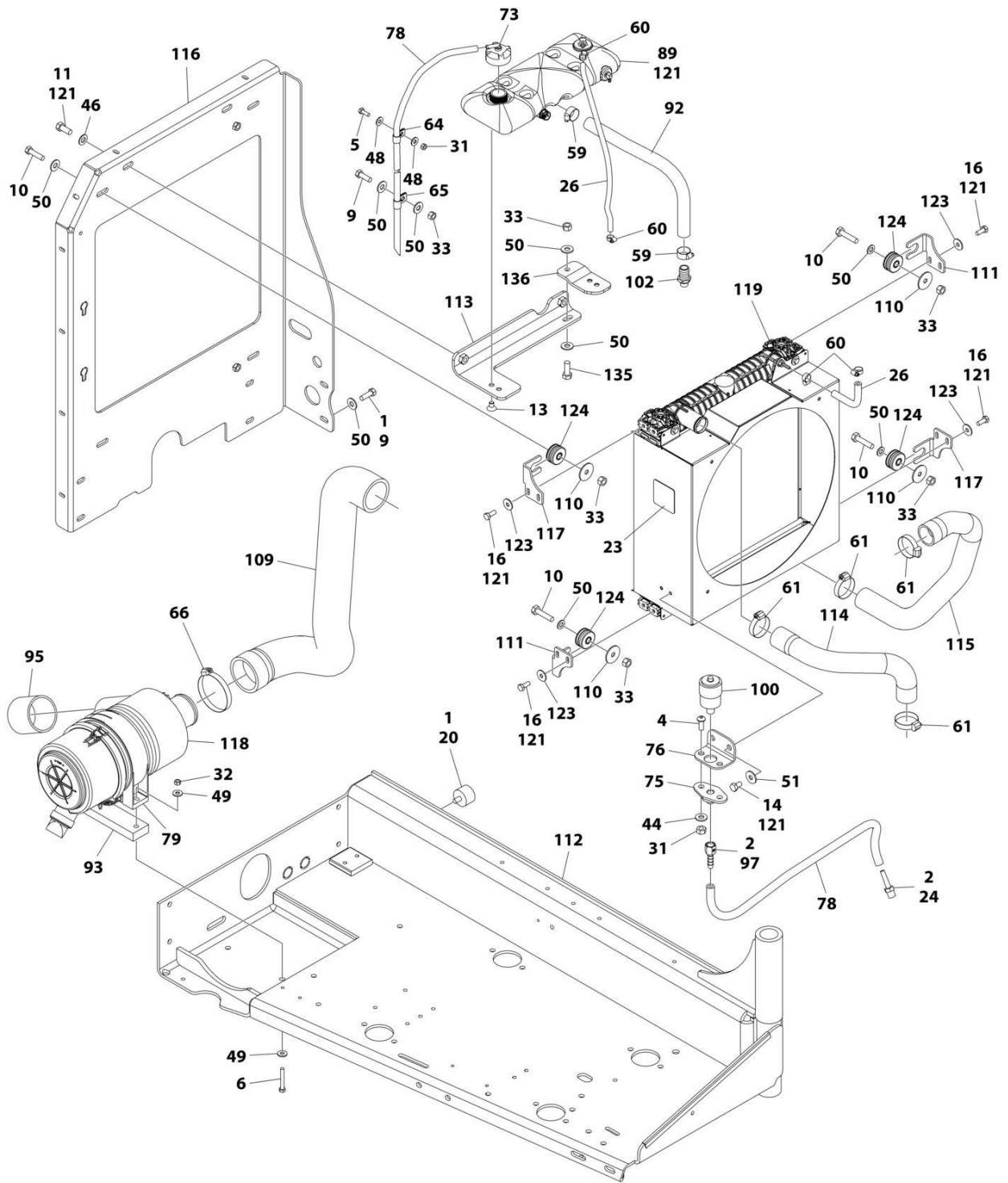
SECTION 3 - ENGINE

FIGURE 3-19. DEUTZ TD2.9L4 ENGINE ASSEMBLY (WITH ARCTIC PACKAGE) (SN 0300279215 to Present)



ART_1001176035_S_10F2

SECTION 3 - ENGINE



ART_1001176035_S_2OF2

SECTION 3 - ENGINE

FIGURE 3-19. DEUTZ TD2.9L4 ENGINE ASSEMBLY (WITH ARCTIC PACKAGE) (SN 0300279215 to Present)

| ITEM | PART NUMBER | QTY | DESCRIPTION | REV |
|------|-------------|------------------|---|-----|
| | 1001176035 | Ref | DEUTZ TD2.9L4 ENGINE ASSEMBLY (WITH ARCTIC PACKAGE) | S |
| 1 | 0100011 | AR | Locking, Compound | |
| 2 | 0100020 | AR | Sealant | |
| 3 | 0100062 | 2 | Compound, Locking | |
| 4 | 0630407 | 5 | Screw 1/4 x 5/8 | |
| 5 | 0641406 | 2 | Bolt 1/4 x 3/4 | |
| 6 | 0641518 | 2 | Bolt 5/16 x 2-1/4 | |
| 7 | 0641605 | 8 | Bolt 3/8 x 5/8 | |
| 8 | 0641608 | 6 | Bolt 3/8 x 1 | |
| 9 | 0641609 | 4 | Bolt 3/8 x 1-1/8 | |
| 10 | 0641612 | 2 | Bolt 3/8 x 1-1/2 | |
| 11 | 0641708 | 3 | Bolt 7/16 x 1 | |
| 12 | 0681820 | 2 | Bolt 1/2 x 2-1/2 Grade 8 | |
| 13 | 0741605 | 2 | Screw 3/8 x 5/8 | |
| 14 | 0760605 | 2 | Bolt M6 x 10 | |
| 16 | 0760810 | 9 | Bolt M8 x 20 | |
| 17 | 0761210 | 1 | Bolt M12 x 20 | |
| 18 | 0771212 | 6 | Bolt M12 x 25 Grade 10.9 | |
| 19 | 0771414 | 2 | Bolt M14 x 30 Grade 10.9 | |
| 20 | 0940070 | 1 | Bumper | |
| 21 | 0961986 | 2 | Bushing, Flanged | |
| 22 | 1001181899 | 1 | P-Clamp | |
| 23 | 1703162 | 1 | Decal - Caution Fan Blade | |
| 24 | 2220315 | 1 | Fitting, Straight Barbed | |
| 26 | 2720015 | 40 in/1m | Hose | |
| 27 | 2720340 | 12 in /30.5cm | Hose | |
| 28 | 3200401 | 4 | Mount, Motor | |
| 29 | 3271801 | 4 | Nut 1/2 | |
| 30 | 3310401 | 3 | Nut #4 | |
| 31 | 3311405 | 8 | Nut 1/4 | |
| 32 | 3311505 | 2 | Nut 5/16 | |
| 33 | 3311605 | 17 | Nut 3/8 | |
| 34 | 3580320 | 1 | Pulley | |
| 35 | 3910408 | 3 | Screw #4 x 1/2 | |
| 36 | 3931432 | 1 | Capscrew 1/4 x 2 | |
| 37 | 3931512 | 4 | Capscrew 5/16 x 3/4 | |
| 38 | 3931628 | 4 | Capscrew 3/8 x 1-3/4 | |
| 39 | 4031914 | 4 | Capscrew M8 x 50 | |
| 40 | 4032014 | 4 | Capscrew M10 x 50 | |
| 41 | 4060805 | 15 in /38cm | Flex-Trim | |
| 42 | 4240099 | AR | Tie-Strap (Not Shown) | |
| 43 | 4640751 | 1 | Valve, Oil Drain | |
| 44 | 4711400 | 3 | Washer 1/4 | |
| 45 | 4711500 | 5 | Washer 5/16 | |
| 46 | 4711700 | 2 | Washer 7/16 | |
| 47 | 4750400 | 3 | Washer #4 | |
| 48 | 4751400 | 10 | Washer 1/4 | |

SECTION 3 - ENGINE

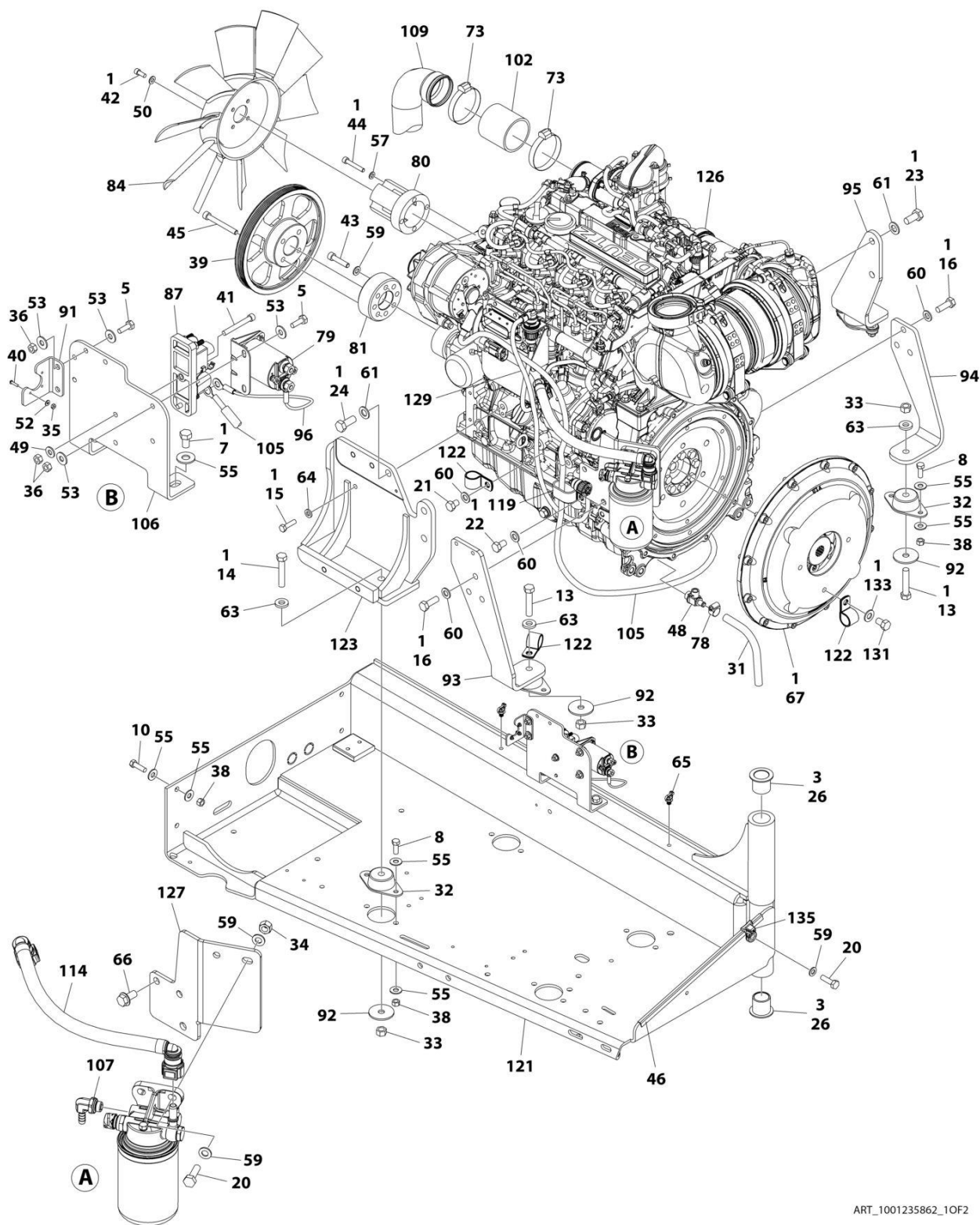
| ITEM | PART NUMBER | QTY | DESCRIPTION | REV |
|------|-------------|------------|--|-----|
| 49 | 4751500 | 4 | Washer 5/16 | |
| 50 | 4751600 | 34 | Washer 3/8 | |
| 51 | 4811702 | 2 | Washer M6 | |
| 52 | 4811900 | 4 | Washer M8 | |
| 53 | 4812000 | 8 | Washer M10 | |
| 54 | 4812100 | 7 | Washer M12 | |
| 55 | 4812200 | 5 | Washer M14 | |
| 57 | 4891800 | 4 | Washer 1/2 | |
| 59 | 8405007 | 2 | Clamp | |
| 60 | 8405009 | 4 | Clamp | |
| 61 | 8405104 | 4 | Clamp | |
| 63 | 8406102 | 1 | Clip | |
| 64 | 8406109 | 1 | Clip | |
| 65 | 8406110 | 1 | Clip | |
| 66 | 8410011 | 2 | Clamp | |
| 67 | 8410013 | 1 | Clamp | |
| 68 | 1001117308 | 1 | Relay | |
| 70 | 1001135138 | 1 | Adapter | |
| 71 | 1001135679 | 1 | Adapter | |
| 73 | 1001136834 | 1 | Cap, Tank | |
| 74 | 1001137276 | 1 | Fan | |
| 75 | 1001138173 | 1 | Support | |
| 76 | 1001138175 | 1 | Bracket | |
| 77 | 1001138228 | 1 | Relay, Power Module | |
| 77 | 70023592 | 1 | Fuse 20Amp (Switch Output) | |
| 77 | 70023593 | 1 | Fuse 30Amp (Battery Output) | |
| 78 | 1001138248 | 62 in/1.6m | Tube | |
| 79 | 1001138557 | 1 | Clamp | |
| 82 | 1001139240 | 1 | Bracket | |
| 83 | 1001139409 | 4 | Washer, Special | |
| 84 | 1001249942 | 1 | Engine, Deutz TD2.9L4 T4F (See Separate Breakdown in this Section) | |
| 85 | 1001140448 | 1 | Mount, Rear Engine | |
| 86 | 1001140450 | 1 | Mount, Rear Engine | |
| 87 | 1001140454 | 1 | Mount, Front Engine | |
| 88 | 1001202368 | 1 | Mount, Generator/Engine | |
| 89 | 1001230635 | 1 | Tank | |
| 89 | 0100020 | 1 | Sealant | |
| 89 | 1001134488 | 1 | Fitting, 90 NPT/ Barbed | |
| 89 | 1001138827 | 1 | Sensor, Coolant Level | |
| 89 | 1001140564 | 1 | Fitting, 90 NPT/ Barbed | |
| 89 | 1001229542 | 1 | Tank, Surge | |
| 91 | 1001141304 | 1 | Harness, Glow Plug | |
| 92 | 1001141370 | 1 | Hose | |
| 93 | 1001267256 | 1 | Shim | |
| 95 | 1001141585 | 1 | Hose, Inlet | |
| 97 | 1001141995 | 1 | Fitting, Straight NPT/Barbed | |
| 100 | 1001143390 | 1 | Indicator, Service | |
| 101 | 1001143726 | 1 | Harness, Deutz Engine (Not Shown - See Separate Breakdown in ELECTRICAL SECTION) | |
| 102 | 1001143797 | 1 | Fitting, Straight Metric/Barbed | |
| 103 | 1001143907 | 1 | Cable, Alternator Power | |

SECTION 3 - ENGINE

| ITEM | PART NUMBER | QTY | DESCRIPTION | REV |
|------|-------------|-----|--|-----|
| 104 | 1001145154 | 1 | Plate, Relay Mounting | |
| 106 | 1001152489 | 1 | Fitting, 90 Metric/ Barbed | |
| 107 | 1001153282 | 1 | Pump Coupling Kit (See Separate Breakdown in this Section) | |
| 109 | 1001266525 | 1 | Pipe | |
| 110 | 1001169138 | 4 | Washer | |
| 111 | 1001204325 | 2 | Bracket, Radiator | |
| 112 | 1001190610 | 1 | Tray | |
| 113 | 1001260413 | 1 | Bracket, Tank | |
| 114 | 1001177844 | 1 | Hose, Radiator - Upper | |
| 115 | 1001177845 | 1 | Hose, Radiator - Lower | |
| 116 | 1001186985 | 1 | Plate, Mounting | |
| 117 | 1001178223 | 2 | Bracket, Radiator | |
| 118 | 1001138489 | 1 | Air Cleaner Assembly | |
| 118 | 91403102 | 1 | Element, Filter | |
| 119 | 1001167042 | 1 | Radiator | |
| 120 | 1001140312 | 1 | Heater, Engine Block | |
| 121 | 1001180620 | 1 | Adhesive | |
| 122 | 1001181895 | 1 | Adhesive | |
| 123 | 4811902 | 8 | Washer M8 | |
| 124 | 1001169054 | 4 | Pad, Isolator | |
| 126 | 1001177359 | 1 | Hose | |
| 127 | 1001178876 | 1 | Mount, Fuel Filter | |
| 128 | 5250810 | 2 | Bolt M8 x 20 | |
| 129 | 0761015 | 2 | Bolt M10 x 35 | |
| 130 | 3291005 | 2 | Nut M10 | |
| 131 | 0681822 | 1 | Bolt 1/2 x 2-3/4 Grade 8 | |
| 132 | 5240800 | 1 | Washer M8 | |
| 133 | 0700814 | 1 | Bolt M8 x 30 | |
| 134 | 0771415 | 3 | Bolt M14 x 35 Grade 10.9 | |
| 135 | 0681608 | 1 | Bolt 3/8 x 1 Grade 8 | |
| 136 | 1001260412 | 1 | Bracket | |

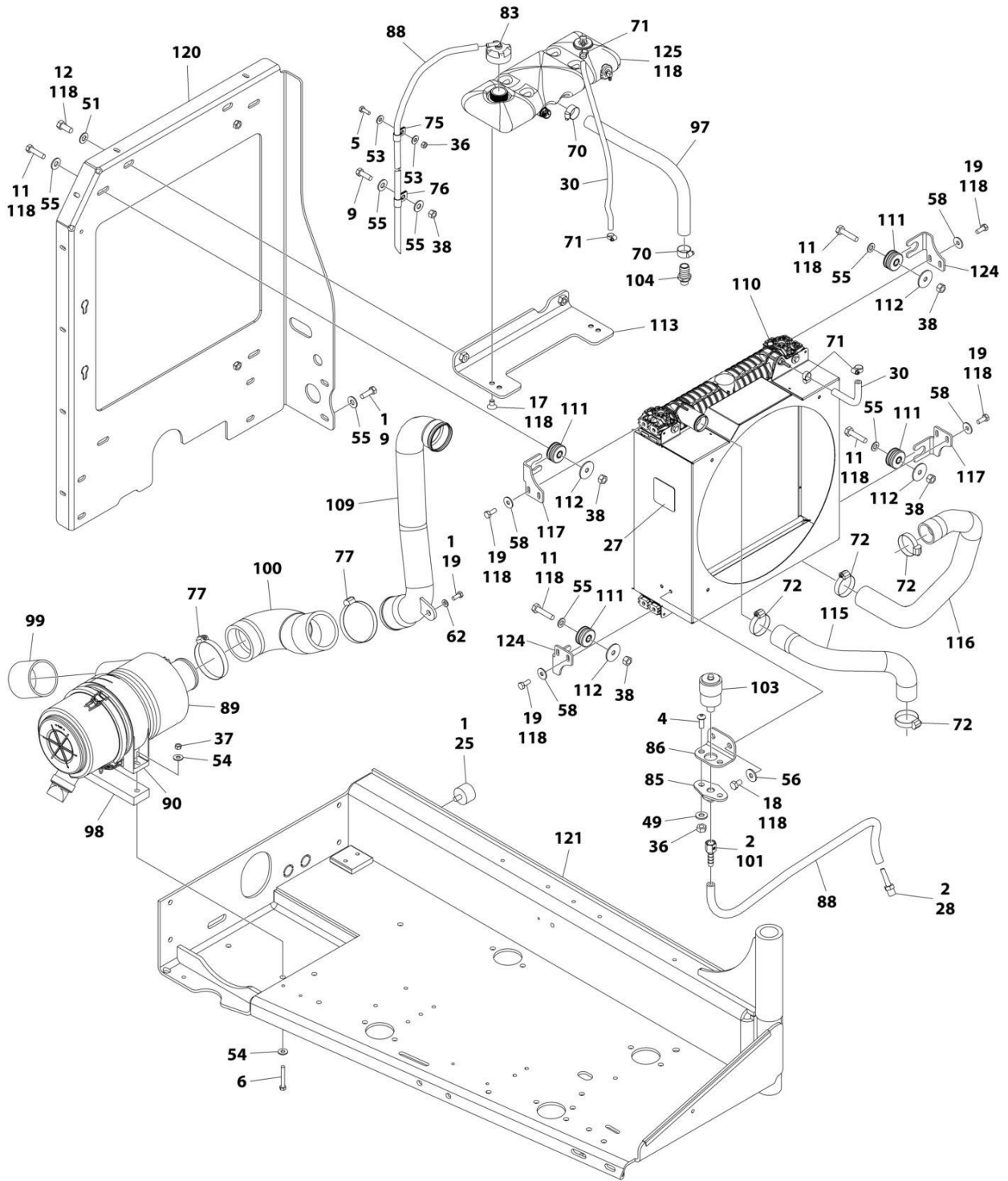
SECTION 3 - ENGINE

FIGURE 3-20. DEUTZ TD2.9L4 ENGINE ASSEMBLY (STAGE V)



ART_1001235862_10F2

SECTION 3 - ENGINE



ART_1001235862_20F2

SECTION 3 - ENGINE

FIGURE 3-20. DEUTZ TD2.9L4 ENGINE ASSEMBLY (STAGE V)

| ITEM | PART NUMBER | QTY | DESCRIPTION | REV |
|------|-------------|------------------|---|-----|
| | 1001235862 | Ref | DEUTZ TD2.9L4 ENGINE ASSEMBLY (STAGE V) | I |
| 1 | 0100011 | AR | Locking, Compound | |
| 2 | 0100020 | AR | Sealant | |
| 3 | 0100062 | AR | Compound, Locking | |
| 4 | 0630407 | 2 | Screw 1/4 x 5/8 | |
| 5 | 0641406 | 5 | Bolt 1/4 x 3/4 | |
| 6 | 0641518 | 2 | Bolt 5/16 x 2-1/4 | |
| 7 | 0641605 | 2 | Bolt 3/8 x 5/8 | |
| 8 | 0641608 | 8 | Bolt 3/8 x 1 | |
| 9 | 0641609 | 2 | Bolt 3/8 x 1-1/8 | |
| 10 | 0641610 | 4 | Bolt 3/8 x 1-1/4 | |
| 11 | 0641612 | 4 | Bolt 3/8 x 1-1/2 | |
| 12 | 0641708 | 2 | Bolt 7/16 x 1 | |
| 13 | 0681820 | 3 | Bolt 1/2 x 2-1/2 Grade 8 | |
| 14 | 0681822 | 1 | Bolt 1/2 x 2-3/4 Grade 8 | |
| 15 | 0700814 | 1 | Bolt M8 x 30 | |
| 16 | 0711215 | 6 | Bolt M12 x 35 | |
| 17 | 0741605 | 2 | Screw 3/8 x 5/8 | |
| 18 | 0760605 | 2 | Bolt M6 x 10 | |
| 19 | 0760810 | 9 | Bolt M8 x 20 | |
| 20 | 0761015 | 3 | Bolt M10 x 35 | |
| 21 | 0761208 | 1 | Bolt M12 x 16 | |
| 22 | 0761210 | 1 | Bolt M12 x 20 | |
| 23 | 0771414 | 2 | Bolt M14 x 30 Grade 10.9 | |
| 24 | 0771415 | 3 | Bolt M14 x 35 Grade 10.9 | |
| 25 | 0940070 | 1 | Bumper | |
| 26 | 0961986 | 2 | Bushing, Flanged | |
| 27 | 1703162 | 1 | Decal - Caution Fan Blade | |
| 28 | 2220315 | 1 | Fitting, Straight Barbed | |
| 30 | 2720015 | 40 in/1m | Hose | |
| 31 | 2720340 | 12 in /30.5cm | Hose | |
| 32 | 3200401 | 4 | Mount, Motor | |
| 33 | 3271801 | 4 | Nut 1/2 Grade 8 | |
| 34 | 3291005 | 3 | Nut M10 | |
| 35 | 3310401 | 3 | Nut #4 | |
| 36 | 3311405 | 8 | Nut 1/4 | |
| 37 | 3311505 | 2 | Nut 5/16 | |
| 38 | 3311605 | 16 | Nut 3/8 | |
| 39 | 1001260432 | 1 | Pulley | |
| 40 | 3910408 | 3 | Screw #4 x 1/2 | |
| 41 | 3931432 | 1 | Capscrew 1/4 x 2 | |
| 42 | 3931512 | 4 | Capscrew 5/16 x 3/4 | |
| 43 | 1001261045 | 4 | Capscrew M10 x 45 | |
| 44 | 4031914 | 4 | Capscrew M8 x 50 | |
| 45 | 1001261085 | 4 | Capscrew M10 x 85 | |
| 46 | 4060805 | 15 in /38cm | Flex-Trim | |
| 47 | 4240099 | AR | Tie-Strap (Not Shown) | |
| 48 | 4640751 | 1 | Valve, Oil Drain | |

SECTION 3 - ENGINE

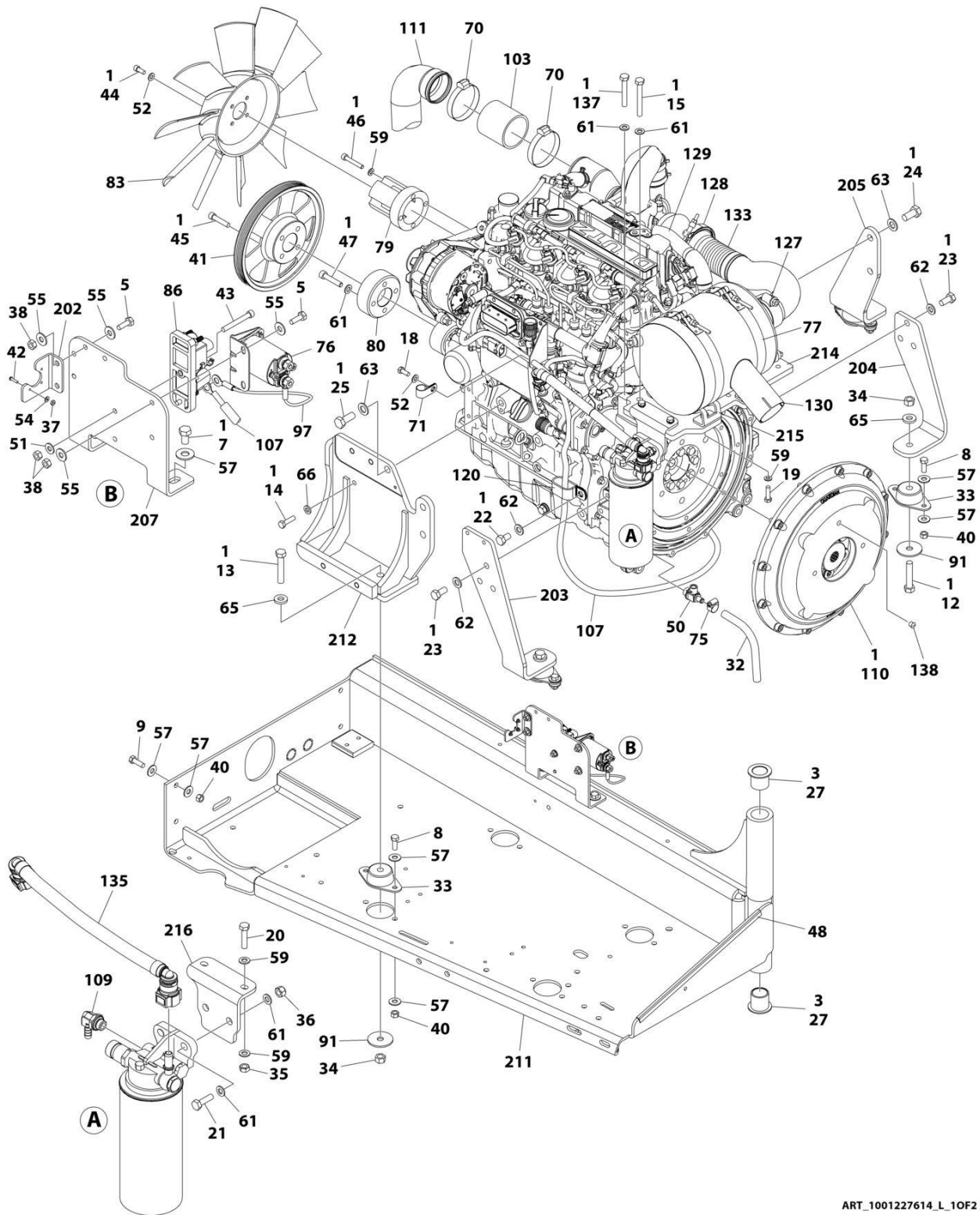
| ITEM | PART NUMBER | QTY | DESCRIPTION | REV |
|------|-------------|------------|--|-----|
| 49 | 4711400 | 3 | Washer 1/4 | |
| 50 | 4711500 | 4 | Washer 5/16 | |
| 51 | 4711700 | 2 | Washer 7/16 | |
| 52 | 4750400 | 3 | Washer #4 | |
| 53 | 4751400 | 10 | Washer 1/4 | |
| 54 | 4751500 | 4 | Washer 5/16 | |
| 55 | 4751600 | 32 | Washer 3/8 | |
| 56 | 4811702 | 2 | Washer M6 | |
| 57 | 4811900 | 4 | Washer M8 | |
| 58 | 4811902 | 8 | Washer M8 | |
| 59 | 4812000 | 10 | Washer M10 | |
| 60 | 4812100 | 8 | Washer M12 | |
| 61 | 4812200 | 5 | Washer M14 | |
| 62 | 4891500 | 1 | Washer 5/16 | |
| 63 | 4891800 | 4 | Washer 1/2 | |
| 64 | 5240800 | 1 | Washer M8 | |
| 65 | 1001146588 | 3 | Strap | |
| 66 | 5251010 | 2 | Bolt M10 x 20 | |
| 67 | 1001153282 | 1 | Pump Coupling Kit (See Separate Breakdown in this Section) | |
| 70 | 8405007 | 2 | Clamp | |
| 71 | 8405009 | 4 | Clamp | |
| 72 | 8405104 | 4 | Clamp | |
| 73 | 8405204 | 2 | Clamp | |
| 75 | 8406109 | 1 | Clip | |
| 76 | 8406110 | 1 | Clip | |
| 77 | 8410011 | 2 | Clamp | |
| 78 | 8410013 | 1 | Clamp | |
| 79 | 1001117308 | 1 | Relay | |
| 80 | 1001135138 | 1 | Adapter | |
| 81 | 1001258800 | 1 | Adapter | |
| 83 | 1001136834 | 1 | Cap, Tank | |
| 84 | 1001137276 | 1 | Fan | |
| 85 | 1001138173 | 1 | Support | |
| 86 | 1001138175 | 1 | Bracket | |
| 87 | 1001138228 | 1 | Relay, Power Module | |
| 87 | 70023593 | 1 | Fuse 30Amp (Battery Output) | |
| 87 | 70023592 | 1 | Fuse 20Amp (Switch Output) | |
| 88 | 1001138248 | 62 in/1.6m | Tube | |
| 89 | 1001138489 | 1 | Air Cleaner Assembly | |
| 89 | 91403102 | 1 | Element, Filter | |
| 90 | 1001138557 | 1 | Clamp | |
| 91 | 1001139240 | 1 | Bracket | |
| 92 | 1001139409 | 4 | Washer, Special | |
| 93 | 1001140448 | 1 | Mount, Rear Engine | |
| 94 | 1001140450 | 1 | Mount, Rear Engine | |
| 95 | 1001140454 | 1 | Mount, Front Engine | |
| 96 | 1001141304 | 1 | Harness, Glow Plug | |
| 97 | 1001141370 | 1 | Hose | |
| 98 | 1001141419 | 1 | Shim | |
| 99 | 1001141585 | 1 | Hose, Inlet | |
| 100 | 1001141586 | 1 | Pipe, Intake | |

SECTION 3 - ENGINE

| ITEM | PART NUMBER | QTY | DESCRIPTION | REV |
|------|-------------|-----|--|-----|
| 101 | 1001141995 | 1 | Fitting, Straight NPT/Barbed | |
| 102 | 1001142623 | 1 | Hose, Inlet | |
| 103 | 1001143390 | 1 | Indicator, Service | |
| 104 | 1001143797 | 1 | Fitting, Straight Metric/Barbed | |
| 105 | 1001143907 | 1 | Cable, Alternator Power | |
| 106 | 1001145154 | 1 | Plate, Relay Mounting | |
| 107 | 1001152489 | 1 | Fitting, 90 Metric/ Barbed | |
| 109 | 1001165842 | 1 | Pipe | |
| 110 | 1001167042 | 1 | Radiator (Modine Radiator) | |
| 111 | 1001169054 | 4 | Pad, Isolator | |
| 112 | 1001169138 | 4 | Washer | |
| 113 | 1001176419 | 1 | Bracket, Tank | |
| 114 | 1001177359 | 1 | Hose | |
| 115 | 1001177844 | 1 | Hose, Radiator - Upper | |
| 116 | 1001177845 | 1 | Hose, Radiator - Lower | |
| 117 | 1001178223 | 2 | Bracket, Radiator | |
| 118 | 1001180620 | 1 | Adhesive | |
| 119 | 1001181899 | 1 | P-Clamp | |
| 120 | 1001186985 | 1 | Plate, Mounting | |
| 121 | 1001190610 | 1 | Tray | |
| 122 | 1001191620 | 3 | Clamp | |
| 123 | 1001202368 | 1 | Mount, Generator/Engine | |
| 124 | 1001204325 | 2 | Bracket, Radiator | |
| 125 | 1001230635 | 1 | Tank | |
| 125 | 0100020 | 1 | Sealant, Pipe | |
| 125 | 1001134488 | 1 | Fitting, 90 NPT/ Barbed | |
| 125 | 1001138827 | 1 | Sensor, Coolant Level | |
| 125 | 1001140564 | 1 | Fitting, 90 NPT/ Barbed | |
| 125 | 1001229542 | 1 | Tank, Surge | |
| 126 | 1001232844 | 1 | Engine, Deutz TD2.9L4 (Stage V) | |
| 127 | 1001238268 | 1 | Mount, Fuel Filter | |
| 128 | 1001238878 | 1 | Harness, Deutz TD2.9L4 (Stage V) Engine (Not Shown - See Separate Breakdown in ELECTRICAL SECTION) | |
| 129 | 1001245913 | 1 | Harness, Deutz TD2.9L4 (Stage V) Engine Fuel Filter (See Separate Breakdown in ELECTRICAL SECTION) | |
| 131 | 0641806 | 1 | Bolt 1/2 x 3/4 | |
| 132 | 1062255 | 1 | Tie-Strap | |
| 133 | 4711800 | 1 | Washer 1/2 | |
| 135 | 1001156107 | 1 | Holder, Cable | |

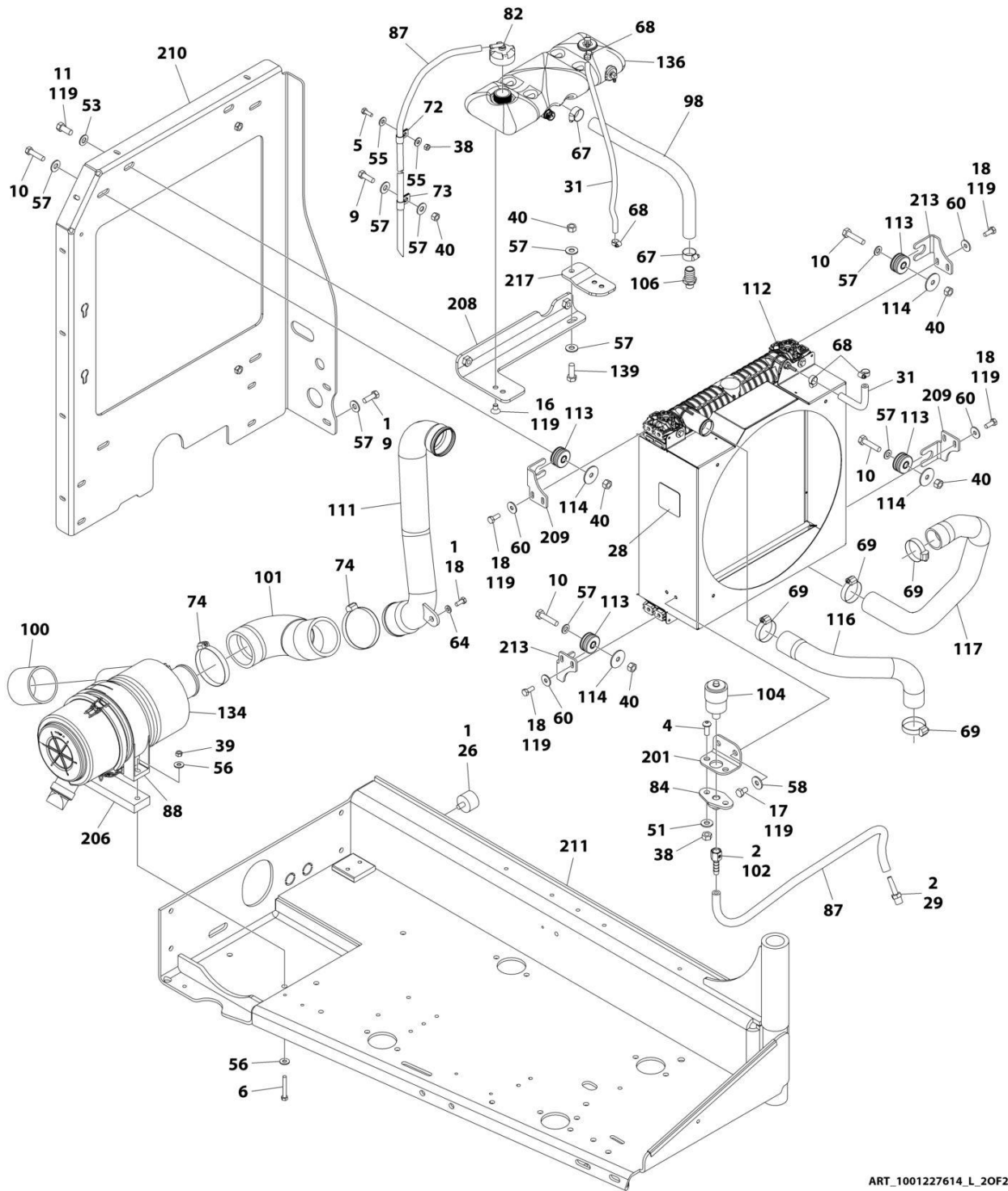
SECTION 3 - ENGINE

FIGURE 3-21. DEUTZ TD2.9L4 ENGINE ASSEMBLY (CHINA III SPECS) (Prior to SN 0300279215)



ART_1001227614_L_10F2

SECTION 3 - ENGINE



ART_1001227614_L_20F2

SECTION 3 - ENGINE

FIGURE 3-21. DEUTZ TD2.9L4 ENGINE ASSEMBLY (CHINA III SPECS) (Prior to SN 0300279215)

| ITEM | PART NUMBER | QTY | DESCRIPTION | REV |
|------|-------------|-------------------|-------------------------------|-----|
| | 1001227614 | Ref | DEUTZ TD2.9L4 ENGINE ASSEMBLY | L |
| 1 | 0100011 | AR | Compound, Locking | |
| 2 | 0100020 | AR | Sealant | |
| 3 | 0100062 | AR | Compound, Locking | |
| 4 | 0630407 | 2 | Screw 1/4 x 5/8 | |
| 5 | 0641406 | 5 | Bolt 1/4 x 3/4 | |
| 6 | 0641518 | 2 | Bolt 5/16 x 2-1/4 | |
| 7 | 0641605 | 2 | Bolt 3/8 x 5/8 | |
| 8 | 0641608 | 8 | Bolt 3/8 x 1 | |
| 9 | 0641609 | 6 | Bolt 3/8 x 1-1/8 | |
| 10 | 0641612 | 4 | Bolt 3/8 x 1-1/2 | |
| 11 | 0641708 | 2 | Bolt 7/16 x 1 | |
| 12 | 0681820 | 3 | Bolt 1/2 x 2-1/2 Grade 8 | |
| 13 | 0681822 | 1 | Bolt 1/2 x 2-3/4 Grade 8 | |
| 14 | 0700814 | 1 | Bolt M8 x 30 | |
| 15 | 0701025 | 2 | Bolt M10 x 85 | |
| 16 | 0741605 | 2 | Screw 3/8 x 5/8 | |
| 17 | 0760605 | 2 | Bolt M6 x 10 | |
| 18 | 0760810 | 10 | Bolt M8 x 20 | |
| 19 | 0760814 | 4 | Bolt M8 x 30 | |
| 20 | 0760815 | 2 | Bolt M8 x 35 | |
| 21 | 0761015 | 2 | Bolt M10 x 35 | |
| 22 | 0761210 | 1 | Bolt M12 x 20 | |
| 23 | 0771212 | 6 | Bolt M12 x 25 Grade 10.9 | |
| 24 | 0771414 | 2 | Bolt M14 x 30 Grade 10.9 | |
| 25 | 0771415 | 3 | Bolt M14 x 35 | |
| 26 | 0940070 | 1 | Bumper | |
| 27 | 0961986 | 2 | Bushing, Flanged | |
| 28 | 1703162 | 1 | Decal - Caution Fan Blade | |
| 29 | 2220315 | 1 | Fitting, Straight Barbed | |
| 31 | 2720015 | 2.32 ft /0.71m | Hose | |
| 32 | 2720340 | 1 ft /0.31m | Hose | |
| 33 | 3200401 | 4 | Mount, Motor | |
| 34 | 3271801 | 4 | Nut 1/2 | |
| 35 | 3290801 | 2 | Nut M8 | |
| 36 | 3291005 | 2 | Nut M10 | |
| 37 | 3310401 | 3 | Nut #4 | |
| 38 | 3311405 | 8 | Nut 1/4 | |
| 39 | 3311505 | 2 | Locknut 5/16 | |
| 40 | 3311605 | 17 | Nut 3/8 | |
| 41 | 3580320 | 1 | Pulley | |
| 42 | 3910408 | 3 | Screw #4 x 1/2 | |
| 43 | 3931432 | 1 | Capscrew 1/4 x 2 | |
| 44 | 3931512 | 4 | Capscrew 5/16 x 3/4 | |
| 45 | 3931628 | 4 | Capscrew 3/8 x 1-3/4 | |
| 46 | 4031914 | 4 | Capscrew M8 x 50 | |
| 47 | 4032014 | 4 | Capscrew M10 x 50 | |
| 48 | 4060805 | 1.2 m | Flex-Trim | |

SECTION 3 - ENGINE

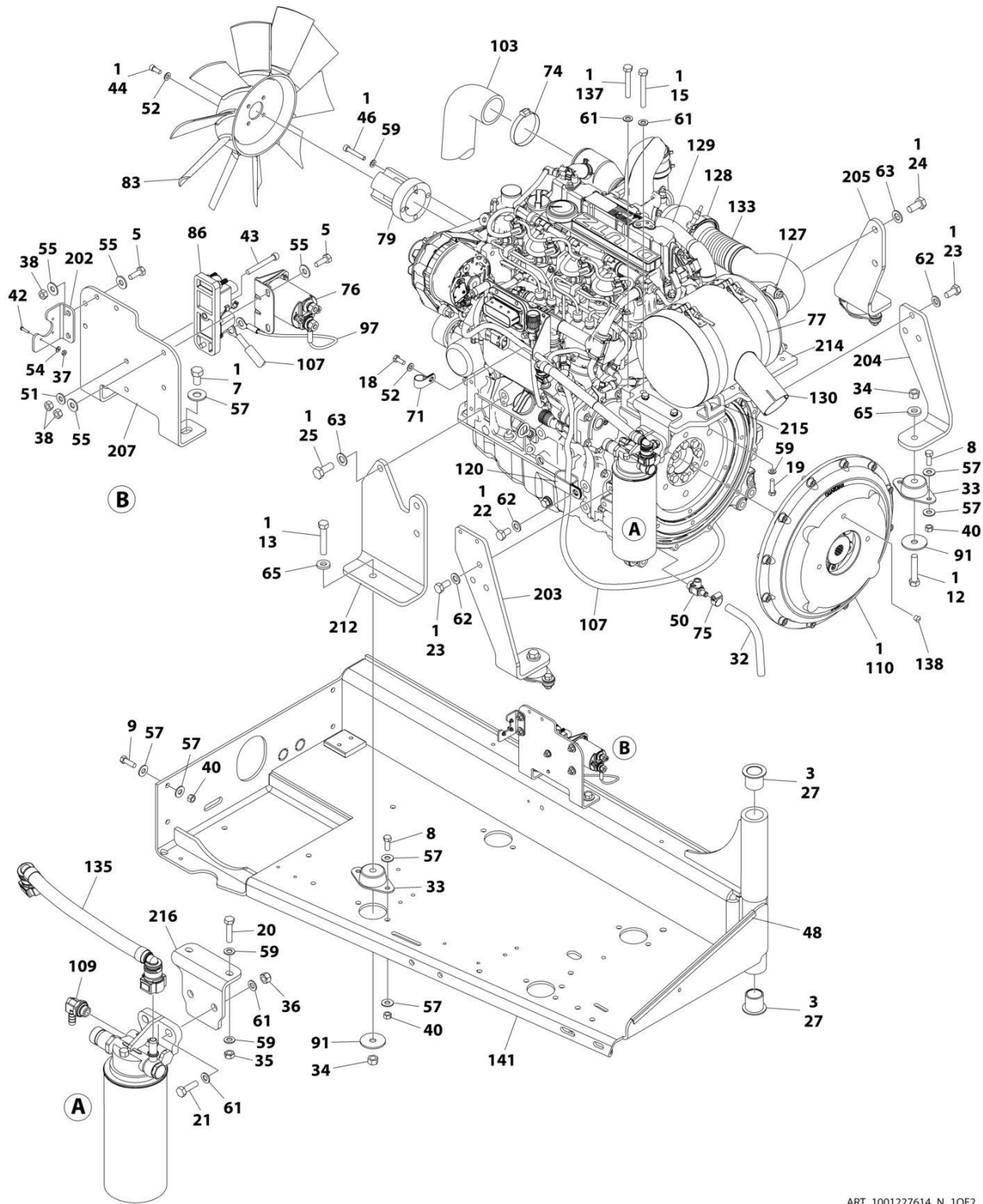
| ITEM | PART NUMBER | QTY | DESCRIPTION | REV |
|------|-------------|------------|--|-----|
| | | /0.39m | | |
| 49 | 4240099 | AR | Tie-Strap (Not Shown) | |
| 50 | 4640751 | 1 | Valve, Oil Drain | |
| 51 | 4711400 | 3 | Washer 1/4 | |
| 52 | 4711500 | 5 | Washer 5/16 | |
| 53 | 4711700 | 2 | Washer 7/16 | |
| 54 | 4750400 | 3 | Washer #4 | |
| 55 | 4751400 | 10 | Washer 1/4 | |
| 56 | 4751500 | 4 | Washer 5/16 | |
| 57 | 4751600 | 34 | Washer 3/8 | |
| 58 | 4811702 | 2 | Washer M6 | |
| 59 | 4811900 | 12 | Washer M8 | |
| 60 | 4811902 | 8 | Washer M8 | |
| 61 | 4812000 | 12 | Washer M10 | |
| 62 | 4812100 | 7 | Washer M12 | |
| 63 | 4812200 | 5 | Washer M14 | |
| 64 | 4891500 | 1 | Washer 5/16 | |
| 65 | 4891800 | 4 | Washer 1/2 | |
| 66 | 5240800 | 1 | Washer M8 | |
| 67 | 8405007 | 2 | Clamp | |
| 68 | 8405009 | 4 | Clamp | |
| 69 | 8405104 | 4 | Clamp | |
| 70 | 8405204 | 2 | Clamp | |
| 71 | 8406102 | 1 | Clip | |
| 72 | 8406109 | 1 | Clip | |
| 73 | 8406110 | 1 | Clip | |
| 74 | 8410011 | 2 | Clamp | |
| 75 | 8410013 | 1 | Clamp | |
| 76 | 1001117308 | 1 | Relay | |
| 77 | 1001233089 | 2 | Strap | |
| 79 | 1001135138 | 1 | Adapter | |
| 80 | 1001135679 | 1 | Adapter | |
| 82 | 1001136834 | 1 | Cap, Tank | |
| 83 | 1001137276 | 1 | Fan | |
| 84 | 1001138173 | 1 | Support | |
| 86 | 1001138228 | 1 | Relay, Power Module | |
| 87 | 1001138248 | 62 in/1.6m | Tube | |
| 88 | 1001138557 | 1 | Clamp | |
| 91 | 1001139409 | 4 | Washer, Special | |
| 97 | 1001141304 | 1 | Harness, Glow Plug | |
| 98 | 1001141370 | 1 | Hose | |
| 100 | 1001141585 | 1 | Hose, Inlet | |
| 101 | 1001141586 | 1 | Pipe, Intake | |
| 102 | 1001141995 | 1 | Fitting, Straight NPT/Barbed | |
| 103 | 1001142623 | 1 | Hose, Inlet | |
| 104 | 1001143390 | 1 | Indicator, Service | |
| 105 | 1001143726 | 1 | Harness, Deutz Engine (Not Shown - See Separate Breakdown in ELECTRICAL SECTION) | |
| 106 | 1001143797 | 1 | Fitting, Straight Metric/Barbed | |
| 107 | 1001143907 | 1 | Cable, Alternator Power | |
| 109 | 1001152489 | 1 | Fitting, 90 Metric/Barbed | |
| 110 | 1001153282 | 1 | Pump Coupling Kit (See Separate Breakdown in this Section) | |

SECTION 3 - ENGINE

| ITEM | PART NUMBER | QTY | DESCRIPTION | REV |
|------|-------------|-----|---|-----|
| 111 | 1001165842 | 1 | Pipe | |
| 112 | 1001167042 | 1 | Radiator | |
| 113 | 1001169054 | 4 | Isolator | |
| 114 | 1001169138 | 4 | Washer | |
| 116 | 1001177844 | 1 | Hose, Radiator - Upper | |
| 117 | 1001177845 | 1 | Hose, Radiator - Lower | |
| 119 | 1001180620 | AR | Adhesive | |
| 120 | 1001181899 | 1 | P-Clamp | |
| 127 | 1001221212 | 1 | Clamp | |
| 128 | 1001221219 | 1 | Clamp | |
| 129 | 1001223591 | 1 | Engine, Deutz TD2.9L4 Components (See Separate Breakdown in this Section) | |
| 130 | 1001257278 | 1 | Muffler | |
| 133 | 1001224940 | 1 | Pipe, Exhaust | |
| 134 | 1001138489 | 1 | Air Cleaner Assembly | |
| 134 | 91403102 | 1 | Element, Filter | |
| 135 | 1001177359 | 1 | Hose | |
| 136 | 1001230635 | 1 | Tank | |
| 137 | 0701022 | 2 | Bolt M10 x 70 | |
| 138 | 0681608 | 1 | Bolt 3/8 x 1 Grade 8 | |
| 139 | 1001260412 | 1 | Bracket | |
| 200 | 1001257412 | 1 | Bracket Engine Kit (Includes Items 201-217) | D |
| 201 | 1001138175 | 1 | Bracket | |
| 202 | 1001139240 | 1 | Bracket | |
| 203 | 1001140448 | 1 | Mount, Rear Engine | |
| 204 | 1001140450 | 1 | Mount, Rear Engine | |
| 205 | 1001140454 | 1 | Mount, Front Engine | |
| 206 | 1001141419 | 1 | Shim | |
| 207 | 1001145154 | 1 | Plate, Relay Mounting | |
| 208 | 1001260413 | 1 | Bracket, Tank | |
| 209 | 1001178223 | 2 | Bracket, Radiator | |
| 210 | 1001186985 | 1 | Plate, Mounting | |
| 211 | 1001190610 | 1 | Tray | |
| 212 | 1001202368 | 1 | Mount, Generator/Engine | |
| 213 | 1001204325 | 2 | Bracket, Radiator | |
| 214 | 1001221203 | 1 | Bracket | |
| 215 | 1001224936 | 1 | Mount, Doc Weldment | |
| 216 | 1001224937 | 2 | Mount, Fuel Filter | |
| 217 | 1001260412 | 1 | Bracket | |

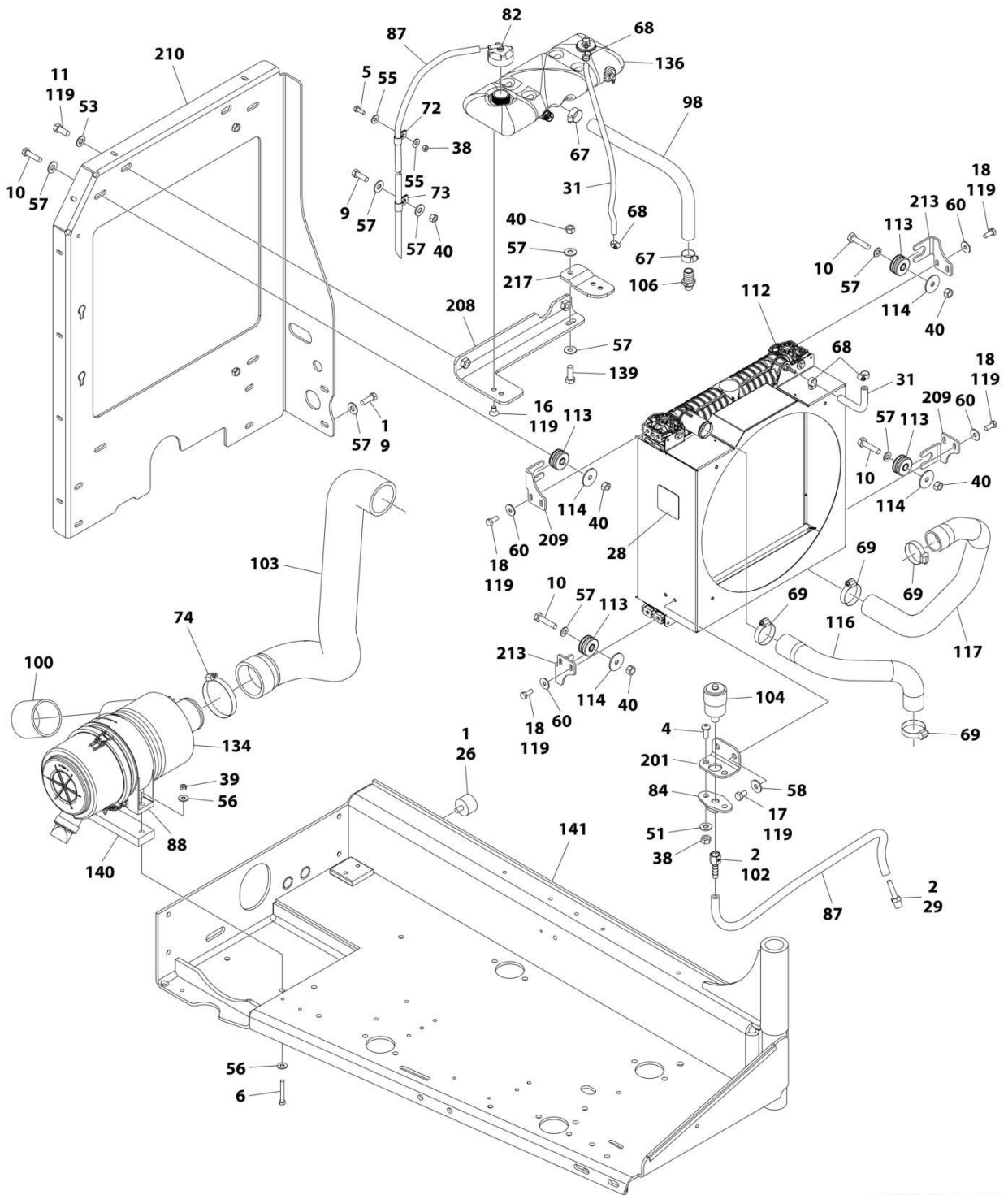
SECTION 3 - ENGINE

FIGURE 3-22. DEUTZ TD2.9L4 ENGINE ASSEMBLY (CHINA III SPECS) (SN 0300279215 to Present)



ART_1001227614_N_10F2

SECTION 3 - ENGINE



ART_1001227614_N_2OF2

SECTION 3 - ENGINE

FIGURE 3-22. DEUTZ TD2.9L4 ENGINE ASSEMBLY (CHINA III SPECS) (SN 0300279215 to Present)

| ITEM | PART NUMBER | QTY | DESCRIPTION | REV |
|------|-------------|-------------------|-------------------------------|-----|
| | 1001227614 | Ref | DEUTZ TD2.9L4 ENGINE ASSEMBLY | N |
| 1 | 0100011 | AR | Compound, Locking | |
| 2 | 0100020 | AR | Sealant | |
| 3 | 0100062 | AR | Compound, Locking | |
| 4 | 0630407 | 2 | Screw 1/4 x 5/8 | |
| 5 | 0641406 | 5 | Bolt 1/4 x 3/4 | |
| 6 | 0641518 | 2 | Bolt 5/16 x 2-1/4 | |
| 7 | 0641605 | 2 | Bolt 3/8 x 5/8 | |
| 8 | 0641608 | 8 | Bolt 3/8 x 1 | |
| 9 | 0641609 | 6 | Bolt 3/8 x 1-1/8 | |
| 10 | 0641612 | 4 | Bolt 3/8 x 1-1/2 | |
| 11 | 0641708 | 2 | Bolt 7/16 x 1 | |
| 12 | 0681820 | 3 | Bolt 1/2 x 2-1/2 Grade 8 | |
| 13 | 0681822 | 1 | Bolt 1/2 x 2-3/4 Grade 8 | |
| 15 | 0701025 | 2 | Bolt M10 x 85 | |
| 16 | 0741605 | 2 | Screw 3/8 x 5/8 | |
| 17 | 0760605 | 2 | Bolt M6 x 10 | |
| 18 | 0760810 | 10 | Bolt M8 x 20 | |
| 19 | 0760814 | 4 | Bolt M8 x 30 | |
| 20 | 0760815 | 2 | Bolt M8 x 35 | |
| 21 | 0761015 | 2 | Bolt M10 x 35 | |
| 22 | 0761210 | 1 | Bolt M12 x 20 | |
| 23 | 0771212 | 6 | Bolt M12 x 25 Grade 10.9 | |
| 24 | 0771414 | 2 | Bolt M14 x 30 Grade 10.9 | |
| 25 | 0771415 | 3 | Bolt M14 x 35 | |
| 26 | 0940070 | 1 | Bumper | |
| 27 | 0961986 | 2 | Bushing, Flanged | |
| 28 | 1703162 | 1 | Decal - Caution Fan Blade | |
| 29 | 2220315 | 1 | Fitting, Straight Barbed | |
| 31 | 2720015 | 2.32 ft /0.71m | Hose | |
| 32 | 2720340 | 1 ft /0.31m | Hose | |
| 33 | 3200401 | 4 | Mount, Motor | |
| 34 | 3271801 | 4 | Nut 1/2 | |
| 35 | 3290801 | 2 | Nut M8 | |
| 36 | 3291005 | 2 | Nut M10 | |
| 37 | 3310401 | 3 | Nut #4 | |
| 38 | 3311405 | 8 | Nut 1/4 | |
| 39 | 3311505 | 2 | Locknut 5/16 | |
| 40 | 3311605 | 17 | Nut 3/8 | |
| 42 | 3910408 | 3 | Screw #4 x 1/2 | |
| 43 | 3931432 | 1 | Capscrew 1/4 x 2 | |
| 44 | 3931512 | 4 | Capscrew 5/16 x 3/4 | |
| 46 | 4031914 | 4 | Capscrew M8 x 50 | |
| 48 | 4060805 | 1.2 m /0.39m | Flex-Trim | |
| 49 | 4240099 | AR | Tie-Strap (Not Shown) | |
| 50 | 4640751 | 1 | Valve, Oil Drain | |
| 51 | 4711400 | 3 | Washer 1/4 | |

SECTION 3 - ENGINE

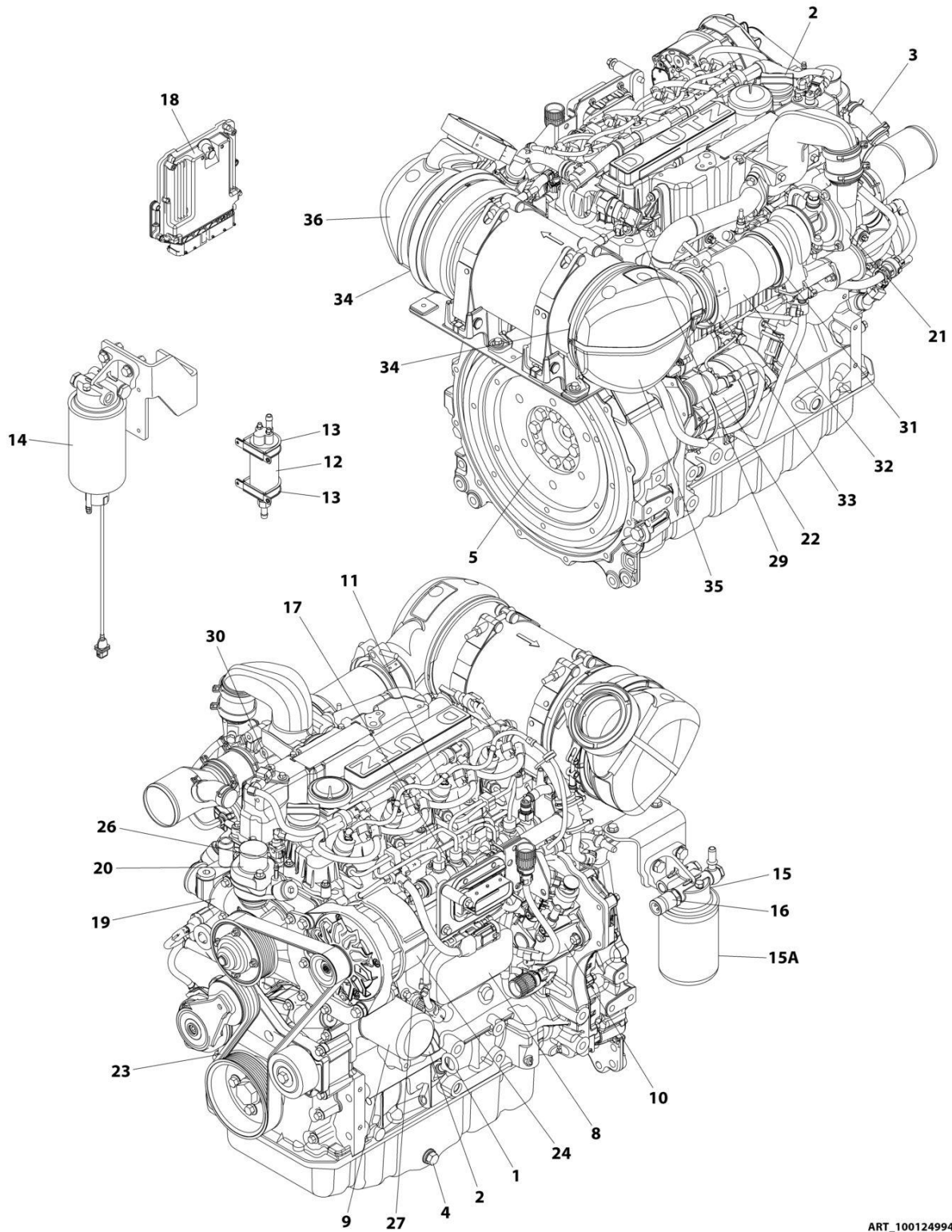
| ITEM | PART NUMBER | QTY | DESCRIPTION | REV |
|------|-------------|------------|--|-----|
| 52 | 4711500 | 5 | Washer 5/16 | |
| 53 | 4711700 | 2 | Washer 7/16 | |
| 54 | 4750400 | 3 | Washer #4 | |
| 55 | 4751400 | 10 | Washer 1/4 | |
| 56 | 4751500 | 4 | Washer 5/16 | |
| 57 | 4751600 | 34 | Washer 3/8 | |
| 58 | 4811702 | 2 | Washer M6 | |
| 59 | 4811900 | 12 | Washer M8 | |
| 60 | 4811902 | 8 | Washer M8 | |
| 61 | 4812000 | 8 | Washer M10 | |
| 62 | 4812100 | 7 | Washer M12 | |
| 63 | 4812200 | 5 | Washer M14 | |
| 65 | 4891800 | 4 | Washer 1/2 | |
| 67 | 8405007 | 2 | Clamp | |
| 68 | 8405009 | 4 | Clamp | |
| 69 | 8405104 | 4 | Clamp | |
| 71 | 8406102 | 1 | Clip | |
| 72 | 8406109 | 1 | Clip | |
| 73 | 8406110 | 1 | Clip | |
| 74 | 8410011 | 2 | Clamp | |
| 75 | 8410013 | 1 | Clamp | |
| 76 | 1001117308 | 1 | Relay | |
| 77 | 1001233089 | 2 | Strap | |
| 79 | 1001135138 | 1 | Adapter | |
| 82 | 1001136834 | 1 | Cap, Tank | |
| 83 | 1001137276 | 1 | Fan | |
| 84 | 1001138173 | 1 | Support | |
| 86 | 1001138228 | 1 | Relay, Power Module | |
| 87 | 1001138248 | 62 in/1.6m | Tube | |
| 88 | 1001138557 | 1 | Clamp | |
| 91 | 1001139409 | 4 | Washer, Special | |
| 97 | 1001141304 | 1 | Harness, Glow Plug | |
| 98 | 1001141370 | 1 | Hose | |
| 100 | 1001141585 | 1 | Hose, Inlet | |
| 102 | 1001141995 | 1 | Fitting, Straight NPT/Barbed | |
| 103 | 1001266525 | 1 | Hose, Inlet | |
| 104 | 1001143390 | 1 | Indicator, Service | |
| 105 | 1001143726 | 1 | Harness, Deutz Engine (Not Shown - See Separate Breakdown in ELECTRICAL SECTION) | |
| 106 | 1001143797 | 1 | Fitting, Straight Metric/Barbed | |
| 107 | 1001143907 | 1 | Cable, Alternator Power | |
| 109 | 1001152489 | 1 | Fitting, 90 Metric/ Barbed | |
| 110 | 1001153282 | 1 | Pump Coupling Kit (See Separate Breakdown in this Section) | |
| 112 | 1001167042 | 1 | Radiator | |
| 113 | 1001169054 | 4 | Isolator | |
| 114 | 1001169138 | 4 | Washer | |
| 116 | 1001177844 | 1 | Hose, Radiator - Upper | |
| 117 | 1001177845 | 1 | Hose, Radiator - Lower | |
| 119 | 1001180620 | AR | Adhesive | |
| 120 | 1001181899 | 1 | P-Clamp | |
| 127 | 1001221212 | 1 | Clamp | |
| 128 | 1001221219 | 1 | Clamp | |

SECTION 3 - ENGINE

| ITEM | PART NUMBER | QTY | DESCRIPTION | REV |
|------|-------------|-----|---|-----|
| 129 | 1001223591 | 1 | Engine, Deutz TD2.9L4 Components (See Separate Breakdown in this Section) | |
| 130 | 1001257278 | 1 | Muffler | |
| 133 | 1001224940 | 1 | Pipe, Exhaust | |
| 134 | 1001138489 | 1 | Air Cleaner Assembly | |
| 134 | 91403102 | 1 | Element, Filter | |
| 135 | 1001177359 | 1 | Hose | |
| 136 | 1001230635 | 1 | Tank | |
| 137 | 0701022 | 2 | Bolt M10 x 70 | |
| 138 | 0681608 | 1 | Bolt 3/8 x 1 Grade 8 | |
| 139 | 1001260412 | 1 | Bracket | |
| 140 | 1001267256 | 1 | Shim, Air Cleaner | |
| 141 | 1001190610 | 1 | Support, Engine Try | |
| 200 | 1001257412 | 1 | Bracket Engine Kit (Includes Items 201-217) | D |
| 201 | 1001138175 | 1 | Bracket | |
| 202 | 1001139240 | 1 | Bracket | |
| 203 | 1001140448 | 1 | Mount, Rear Engine | |
| 204 | 1001140450 | 1 | Mount, Rear Engine | |
| 205 | 1001140454 | 1 | Mount, Front Engine | |
| 207 | 1001145154 | 1 | Plate, Relay Mounting | |
| 208 | 1001260413 | 1 | Bracket, Tank | |
| 209 | 1001178223 | 2 | Bracket, Radiator | |
| 210 | 1001186985 | 1 | Plate, Mounting | |
| 212 | 1001266499 | 1 | Mount, Generator/Engine | |
| 213 | 1001204325 | 2 | Bracket, Radiator | |
| 214 | 1001221203 | 1 | Bracket | |
| 215 | 1001224936 | 1 | Mount, Doc Weldment | |
| 216 | 1001224937 | 2 | Mount, Fuel Filter | |
| 217 | 1001260412 | 1 | Bracket | |

SECTION 3 - ENGINE

FIGURE 3-23. DEUTZ TD2.9L4 ENGINE COMPONENTS



ART_1001249942

SECTION 3 - ENGINE

FIGURE 3-23. DEUTZ TD2.9L4 ENGINE COMPONENTS

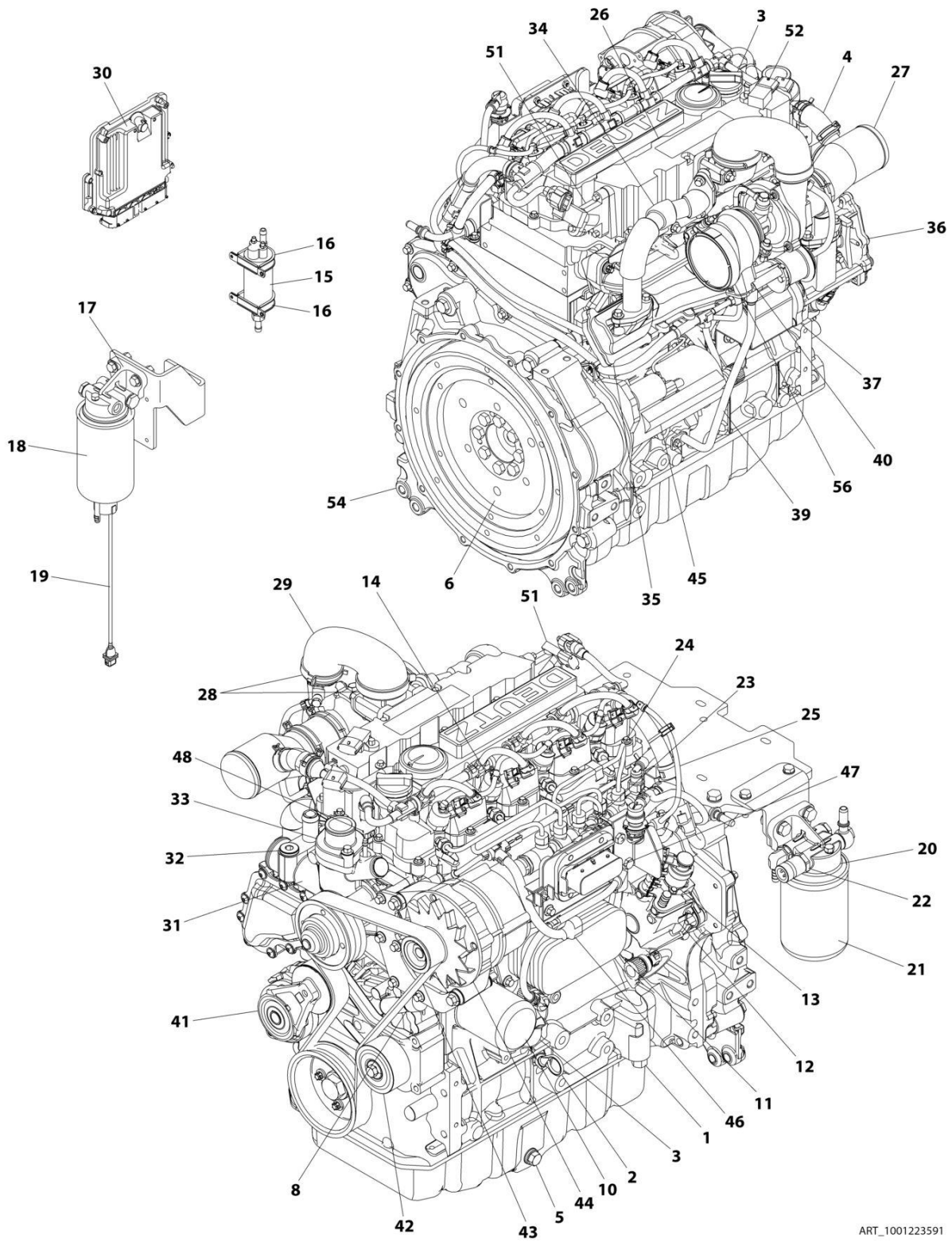
| ITEM | PART NUMBER | QTY | DESCRIPTION | REV |
|------|-------------|-----|---|-----|
| | 1001249942 | Ref | ENGINE COMPONENTS - DEUTZ TD2.9L4 | A |
| 1 | 70024904 | 1 | Dipstick | |
| 1 | 70024905 | 1 | Seal | |
| 2 | 7020465 | 2 | Cap, Oil Fill | |
| 3 | 70025111 | 2 | Clamp | |
| 3 | 70005920 | 1 | Hose, Breather | |
| 4 | 70005941 | 2 | Plug | |
| 4 | 70005942 | 2 | Seal | |
| 5 | 70001870 | 1 | Flywheel with Ring Gear | |
| 5 | 7024579 | 1 | Gear, Ring | |
| 6 | | Ref | Gasket and Seal Options (Not Shown) | |
| 6 | 70004279 | 1 | Gasket Kit | |
| 6 | 70024906 | 1 | Gasket, Head | |
| 6 | 70025205 | 1 | Gasket, Small Valve Cover | |
| 6 | 70005171 | 1 | Gasket, Large Valve Cover | |
| 6 | 70005176 | 1 | O-Seal, Valve Cover to Air Charge Elbow | |
| 6 | 70005177 | 1 | Gasket, Air Charge Pipe to Head | |
| 6 | 70029557 | 2 | Gasket, Air Charge Pipe | |
| 6 | 70025164 | 1 | Gasket, Exhaust Manifold to Head | |
| 6 | 70025179 | 1 | Gasket, Exhaust Manifold to EGR Pipe | |
| 6 | 70007354 | 1 | Gasket, EGR Pipe to EGR Valve | |
| 6 | 70007326 | 1 | Gasket, EGR Valve to Housing | |
| 7 | 70005172 | 1 | Pump, Oil Lube (Not Shown - Located Front Left Side) | |
| 7 | 70025135 | 1 | O-Ring | |
| 7 | 70005173 | 1 | Gasket | |
| 8 | 70024494 | 1 | Cooler, Oil | |
| 8 | 70024925 | 1 | Gasket | |
| 9 | 7016331 | 1 | Filter, Oil | |
| 10 | 70024924 | 1 | Pump, High Pressure (Not Shown - Located Front Left Side) | |
| 10 | 70025152 | 1 | O-Ring (Between Pump and Spacer) | |
| 10 | 70024517 | 1 | O-Ring (Between Spacer and Engine Block) | |
| 10 | 70004505 | 1 | Valve, Overflow | |
| 10 | 70004506 | 1 | O-Ring | |
| 10 | 70004507 | 1 | O-Ring | |
| 10 | 70004508 | 1 | Valve, Volume Control | |
| 10 | 70004509 | 1 | O-Ring | |
| 10 | 70004510 | 1 | O-Ring | |
| 11 | 70025181 | 4 | Injector Fuel | |
| 11 | 70025140 | 4 | Washer, Sealing | |
| 11 | 70025146 | 4 | Clamp (Top of Injector) | |
| 11 | 70025145 | 4 | O-Seal | |
| 11 | 70025154 | 4 | Shoe, Clamping | |
| 11 | 70000345 | 4 | Plug, Glow | |
| 11 | 70025231 | 1 | Harness, Glow Plug (Not Shown) | |
| 12 | 70006144 | 1 | Pump, Fuel | |
| 13 | 70025144 | 2 | Clamp | |
| 14 | 70024961 | 1 | Filter, Fuel | |
| 14 | 70025153 | 1 | Element, Filter | |
| 14 | 70024513 | 1 | Cable, Sensor | |
| 14 | 70025239 | 1 | Seal | |

SECTION 3 - ENGINE

| ITEM | PART NUMBER | QTY | DESCRIPTION | REV |
|------|-------------|-----|---|-----|
| 15 | 70029451 | 1 | Filter With Head | |
| 15A | 70025161 | 1 | Filter, Fuel | |
| 16 | 70028538 | 1 | Sensor, Pressure | |
| 16 | 70024920 | 1 | Seal | |
| 17 | 70025151 | 1 | Rail, Fuel | |
| 17 | 70025235 | 1 | Repair Kit | |
| 17 | 70025182 | 1 | Line, Fuel (Cylinders 1 & 2) | |
| 17 | 70025183 | 1 | Line, Fuel (Cylinders 3 & 4) | |
| 17 | 70025184 | 1 | Line, Fuel (To Rail) | |
| 18 | 70025210 | 1 | ECU (Engine Control Unit) | |
| 19 | 70029797 | 1 | Pump, Water | |
| 19 | 70025200 | 1 | Seal | |
| 19 | 70007325 | 1 | Gasket | |
| 20 | 70005929 | 1 | Thermostat | |
| 20 | 70005184 | 1 | O-Seal | |
| 20 | 70025142 | 1 | Cover, Thermostat | |
| 20 | 70005931 | 1 | Gasket | |
| 21 | 70004276 | 1 | Turbocharger | |
| 21 | 70024912 | 1 | Gasket, Square | |
| 21 | 70024509 | 1 | Gasket, Return Line | |
| 21 | 70006294 | 1 | O-Seal | |
| 22 | 70024915 | 1 | Starter | |
| 22 | 70005648 | 1 | Relay | |
| 22 | 70005647 | 1 | Solenoid | |
| 23 | 70004277 | 1 | Belt Drive | |
| 24 | 70006652 | 1 | Alternator | |
| 24 | 70006653 | 1 | Regulator, Voltage | |
| 25 | 70007489 | 1 | Harness, Engine (Not Shown) | |
| 26 | 70028540 | 1 | Sender, Temperature | |
| 27 | 70028538 | 1 | Sensor, Pressure | |
| 27 | 70024920 | 1 | Seal | |
| 28 | 70026210 | 2 | Sensor, Speed (Not Shown -Located Left Side Front and Flywheel Housing) | |
| 28 | 70024917 | 1 | Seal (Cam Shaft Speed Sensor) | |
| 28 | 70005191 | 1 | Seal (Flywheel Shaft Speed Sensor) | |
| 29 | 70024507 | 1 | Sensor, Pressure | |
| 29 | 70025120 | 1 | Seal | |
| 30 | 70024922 | 1 | Sender, Temperature | |
| 30 | 70025212 | 1 | O-Seal | |
| 31 | 70005527 | 1 | Clamp | |
| 31 | 70025788 | 1 | Nut | |
| 32 | 70004504 | 1 | Compensator | |
| 33 | 70025242 | 1 | Gasket | |
| 33 | 70029433 | 1 | Clamp | |
| 34 | 70029517 | 2 | Clamp | |
| 34 | 70029520 | 2 | Gasket | |
| 35 | 70007355 | 1 | Inlet | |
| 35 | 70007331 | 1 | Outlet | |

SECTION 3 - ENGINE

FIGURE 3-24. DEUTZ TD2.9L4 ENGINE COMPONENTS (CHINA III SPECS)



ART_1001223591

SECTION 3 - ENGINE

FIGURE 3-24. DEUTZ TD2.9L4 ENGINE COMPONENTS (CHINA III SPECS)

| ITEM | PART NUMBER | QTY | DESCRIPTION | REV |
|------|-------------|-----|---|-----|
| | 1001223591 | Ref | DEUTZ TD2.9L4 ENGINE COMPONENTS | C |
| 1 | 70025660 | 1 | Plug | |
| 1 | 70006264 | 1 | Valve, Plunger | |
| 1 | 70006265 | 1 | Spring | |
| 1 | 70006266 | 1 | Seal | |
| 2 | 70024904 | 1 | Dipstick | |
| 2 | 70024905 | 2 | Seal | |
| 3 | 7020465 | 2 | Cap, Fill | |
| 4 | 70005920 | 1 | Line, Breather | |
| 4 | 70025111 | 2 | Clamp | |
| 5 | 70006941 | 2 | Plug | |
| 5 | 70005942 | 2 | Seal | |
| 6 | 70001870 | 1 | Flywheel | |
| 6 | 7024579 | 1 | Ring Gear | |
| 6 | 70025139 | 8 | Bolt | |
| 7 | | Ref | Gasket & Seal Options (Not Shown): | |
| 7 | 70005938 | 1 | Gasket Kit | |
| 7 | 70024906 | 1 | Gasket, Head | |
| 7 | 70005922 | 1 | Gasket, Valve Cover | |
| 7 | 70028185 | 1 | Gasket, Front Cover | |
| 7 | 70004280 | 1 | Seal, Front Main | |
| 7 | 70002718 | 1 | Seal, Rear Main | |
| 8 | See Note | NSS | Valve, Slide (Note: Not Available for Purchase) | |
| 8 | 70025082 | 1 | Seal | |
| 9 | 70005172 | 1 | Pump, Lube (Not Shown - Located RH Rear) | |
| 9 | 70025135 | 1 | O-Seal | |
| 9 | 70005173 | 1 | Gasket | |
| 10 | 7016331 | 1 | Filter, Oil | |
| 11 | 70024494 | 1 | Cooler, Oil | |
| 11 | 70024925 | 1 | Gasket, Oil Filter | |
| 12 | 70024924 | 1 | Pump, High Pressure | |
| 12 | 70025152 | 1 | Gasket (Spacer to Pump) | |
| 12 | 70024488 | 1 | Spacer | |
| 12 | 70024517 | 1 | Gasket (Spacer to Block) | |
| 12 | 70004505 | 1 | Valve, Overflow | |
| 12 | 70004506 | 1 | Gasket, Overflow | |
| 12 | 70004507 | 1 | Gasket, Overflow | |
| 13 | 70004508 | 1 | Valve, Volume Control | |
| 13 | 70004509 | 1 | O-Ring | |
| 13 | 70004510 | 1 | Gasket | |
| 14 | 70025181 | 4 | Injector | |
| 14 | 70025140 | 4 | Washer, Sealing | |
| 14 | 70025146 | 4 | Clamp | |
| 14 | 70025145 | 4 | O-Seal | |
| 14 | 70025154 | 4 | Shoe/Pad, Clamping | |
| 15 | 70006144 | NLA | Pump, Fuel Supply (Use p/n 1001226098) | |
| 16 | 70025144 | 2 | Clip, Clamp | |
| 17 | 70024961 | 1 | Fuel Filter Assembly | |
| 18 | 1001225430 | 1 | Element, Filter | |
| 19 | 70024513 | 1 | Cable, Sensor | |

SECTION 3 - ENGINE

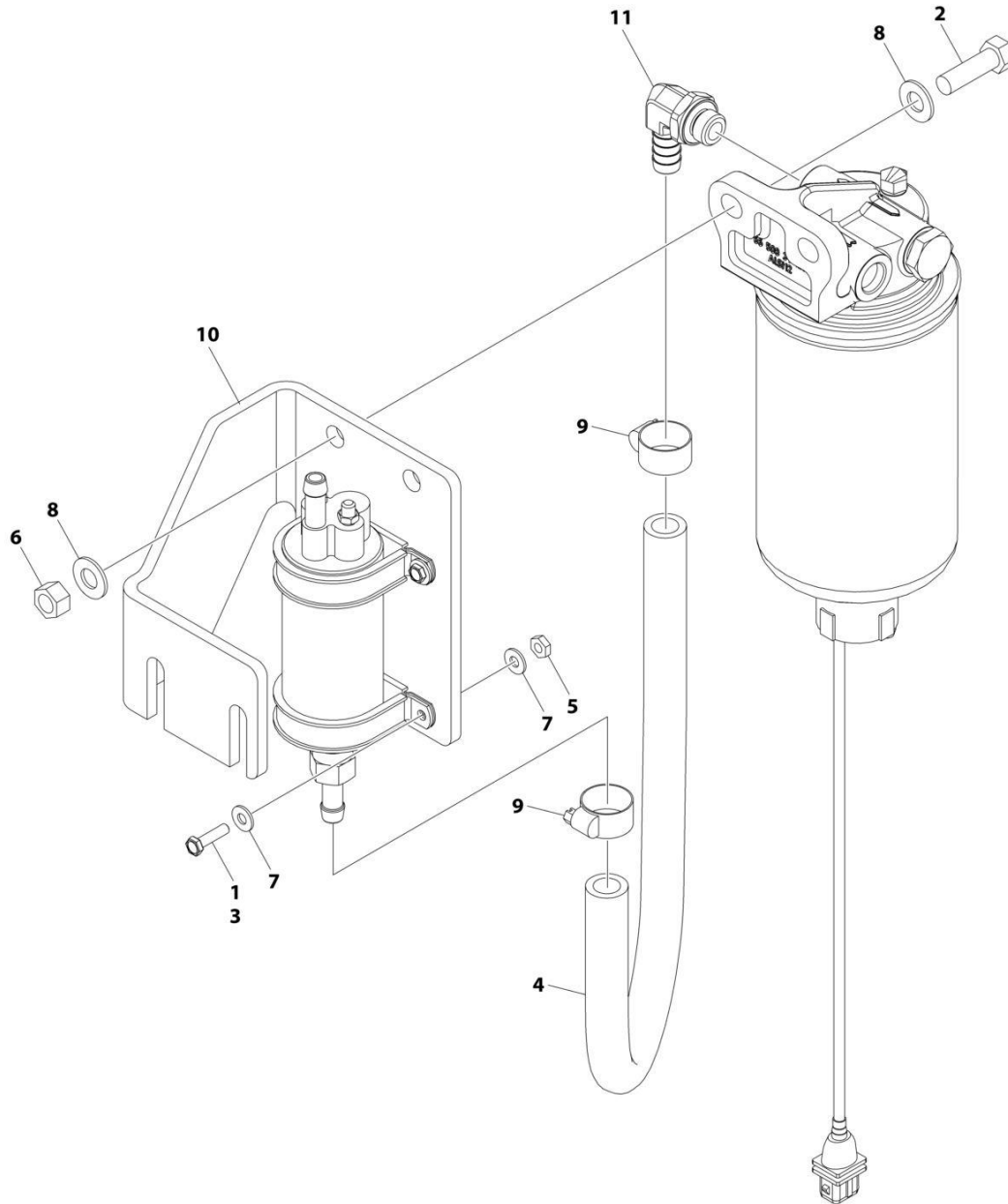
| ITEM | PART NUMBER | QTY | DESCRIPTION | REV |
|------|-------------|-----|---|-----|
| 19 | 70025239 | 1 | Seal, Ring | |
| 20 | 70004511 | 1 | Fuel Filter Assembly | |
| 20 | 70004513 | 2 | Seal (at Hollow Bolt) | |
| 21 | 1001225432 | 1 | Element, Filter | |
| 22 | 70028538 | 1 | Sensor, Pressure | |
| 22 | 70024920 | 1 | O-Seal | |
| 23 | 70025151 | 1 | Rail, Fuel | |
| 23 | 70025235 | 1 | Repair Kit - Fuel Rail | |
| 23 | 70025240 | 1 | O-Ring | |
| 24 | 70025182 | 1 | Tube, Fuel - Cylinders 1 & 2 | |
| 24 | 70025183 | 1 | Tube, Fuel - Cylinders 3 & 4 | |
| 24 | 70025184 | 1 | Tube, Fuel | |
| 25 | 70024502 | 1 | Pipe, Fuel Leakage | |
| 25 | 70025185 | 1 | Hose, Fuel | |
| 25 | 70025158 | 1 | Manifold | |
| 25 | 70025109 | 2 | Clamp, Spring | |
| 25 | 70025115 | 1 | Clamp | |
| 25 | 70025133 | 1 | Hose | |
| 25 | 70025101 | 2 | Clamp | |
| 25 | 70025148 | 1 | Connector, Plug-in | |
| 26 | 70005923 | 1 | Manifold, Charger Air | |
| 26 | 70005177 | 1 | Gasket, Charger Air Manifold | |
| 26 | 70005924 | 1 | Seal (Manifold to Elbow) | |
| 26 | 7000180 | 1 | Line, Breather (Not Shown) | |
| 26 | 70005181 | 1 | O-Seal (Breather to Manifold) | |
| 27 | 70005926 | 1 | Elbow | |
| 27 | 70025112 | 2 | Clamp | |
| 27 | 70004501 | 1 | Sleeve, Rubber | |
| 28 | See Note | NSS | Sleeve (Note: Not Available for Purchase) | |
| 28 | 70025107 | 2 | Clamp | |
| 29 | 70005928 | 1 | Elbow, Air Charge | |
| 30 | 70025210 | 1 | Module, ECU | |
| 31 | 70028802 | 1 | Pump, Coolant | |
| 31 | 70025200 | 1 | Ring, Sealing (Pump to Block) | |
| 32 | 70025084 | 2 | Plug | |
| 32 | 7020492 | 2 | Ring, Sealing | |
| 33 | 70005929 | 1 | Thermostat | |
| 33 | 70005184 | 1 | O-Seal (Thermostat to Housing) | |
| 33 | 70025142 | 1 | Housing, Thermostat | |
| 33 | 70005931 | 1 | O-Seal (Thermostat to Pump) | |
| 33 | 70025124 | 2 | Bolt | |
| 34 | See Note | NSS | Tube (Note: Not Available for Purchase) | |
| 34 | 70025179 | 2 | Gasket (at Either End of Tube) | |
| 35 | See Note | NSS | Valve, Shuttle (Note: Not Available for Purchase) | |
| 35 | 70025180 | 1 | Gasket | |
| 35 | See Note | NSS | Housing, Shuttle Valve (Note: Not Available for Purchase) | |
| 35 | 70025175 | 1 | Cap, Shuttle Valve | |
| 36 | 70025203 | 1 | Module, EGR | |
| 36 | 70025155 | 1 | Plug (Not Shown) | |
| 37 | 70005188 | 1 | Valve, EGR Control | |
| 37 | 70005189 | 1 | Seal (Valve to Module) | |

SECTION 3 - ENGINE

| ITEM | PART NUMBER | QTY | DESCRIPTION | REV |
|------|-------------|-----|--|-----|
| 38 | 70004282 | 1 | Manifold, Exhaust (Not Shown) | |
| 38 | 70025164 | 1 | Gasket, Manifold to Head (Not Shown) | |
| 38 | 70025130 | 8 | Bolt, Manifold (Not Shown) | |
| 38 | 70026995 | 1 | Elbow, Exhaust (Not Shown) | |
| 38 | 70025179 | 2 | Gasket, Manifold to Elbow (Not Shown) | |
| 39 | 70005932 | 1 | Tube, Oil Return | |
| 39 | 70025132 | 1 | O-Seal | |
| 40 | 70004276 | 1 | Turbocharger | |
| 40 | 70024509 | 1 | Gasket (Turbocharger to Oil Return Tube Housing) | |
| 40 | 1001191599 | 1 | Gasket (Turbocharger to Exhaust) | |
| 41 | 70025477 | 1 | Tensioner, Belt | |
| 42 | 70024484 | 1 | Roller, Idler | |
| 43 | 70004277 | 1 | Belt | |
| 44 | 70025733 | 1 | Pulley, Alternator | |
| 44 | 70006652 | 1 | Alternator | |
| 44 | 70006653 | 1 | Controller | |
| 44 | See Note | NSS | Fan (Note: Not Available for Purchase) | |
| 45 | 70024915 | 1 | Starter | |
| 45 | 70005647 | 1 | Switch, Solenoid | |
| 45 | 70005648 | 1 | Relay | |
| 46 | 70000345 | 4 | Glow Plug | |
| 46 | 70025231 | 1 | Harness, Glow Plug | |
| 46 | 70025233 | 1 | Connector, Plug-in | |
| 47 | 70025077 | 1 | Harness, Engine | |
| 48 | 70024918 | 1 | Sender, Temperature | |
| 49 | 70028538 | 1 | Sensor, Pressure (Not Shown - RH Front) | |
| 49 | 70024920 | 1 | O-Seal | |
| 50 | 70026210 | 1 | Sensor, Speed (Not Shown - Front) | |
| 50 | 70005191 | 1 | Ring, Seal | |
| 51 | 70024507 | 1 | Sensor, Pressure | |
| 51 | 70025120 | 1 | O-Seal | |
| 51 | 70005933 | 1 | Adapter | |
| 51 | 70005934 | 1 | O-Seal | |
| 52 | 70024922 | 1 | Sender, Temperature | |
| 52 | 70025212 | 1 | O-Seal | |
| 53 | 70026210 | 1 | Sensor, Speed (Not Shown - Front) | |
| 53 | 70024917 | 1 | O-Seal | |
| 54 | 70025192 | 1 | Housing | |
| 56 | 70005527 | 1 | Clip | |

SECTION 3 - ENGINE

FIGURE 3-25. FUEL PUMP/FILTER BRACKET ASSEMBLY (DEUTZ TD2.9L4 ENGINES)



ART_1001162335

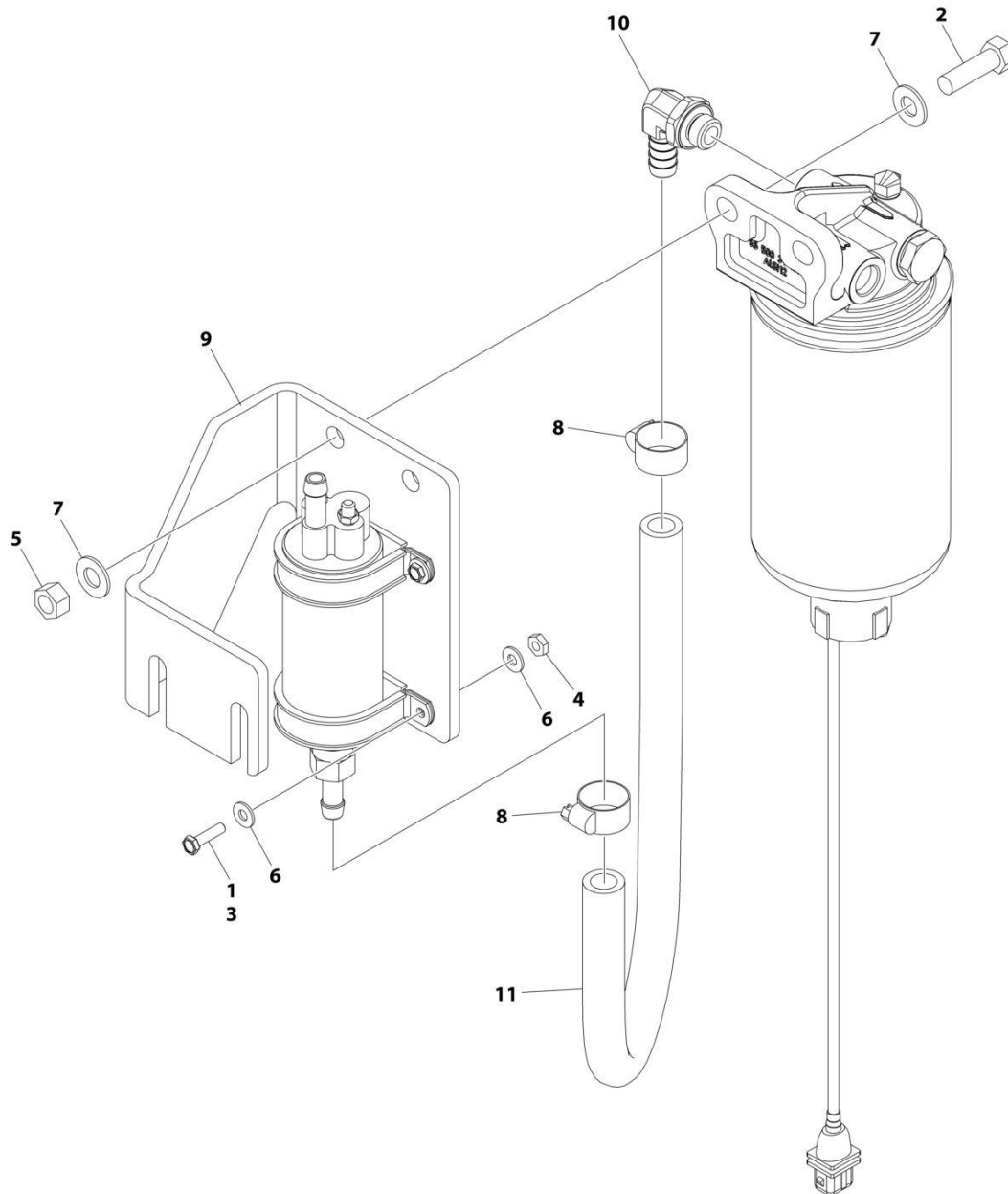
SECTION 3 - ENGINE

FIGURE 3-25. FUEL PUMP/FILTER BRACKET ASSEMBLY (DEUTZ TD2.9L4 ENGINES)

| ITEM | PART NUMBER | QTY | DESCRIPTION | REV |
|------|-------------|-----------------|---|-----|
| | 1001162335 | Ref | BRACKET ASSEMBLY - FUEL PUMP AND FILTER (DEUTZ D2.9L4 ENGINE) | D |
| 1 | 0100011 | AR | Compound, Locking | |
| 2 | 0641610 | 2 | Bolt 3/8 x 1-1/4 | |
| 3 | 0721006 | 4 | Bolt #10 x 3/4 | |
| 4 | 1001154405 | 1.5 ft /0.4m | Hose | |
| 5 | 3311001 | 4 | Nut #10 | |
| 6 | 3311605 | 2 | Nut 3/8 | |
| 7 | 4711000 | 8 | Washer #10 | |
| 8 | 4711600 | 4 | Washer 3/8 | |
| 9 | 8405006 | 2 | Clamp | |
| 10 | 1001141870 | 1 | Plate, Fuel Pump Mount | |
| 11 | 1001142501 | 1 | Fitting, Elbow Barbed | |

SECTION 3 - ENGINE

FIGURE 3-26. FUEL PUMP/FILTER BRACKET ASSEMBLY (DEUTZ TD2.9L4 (STAGE V) ENGINES)



ART_1001235949

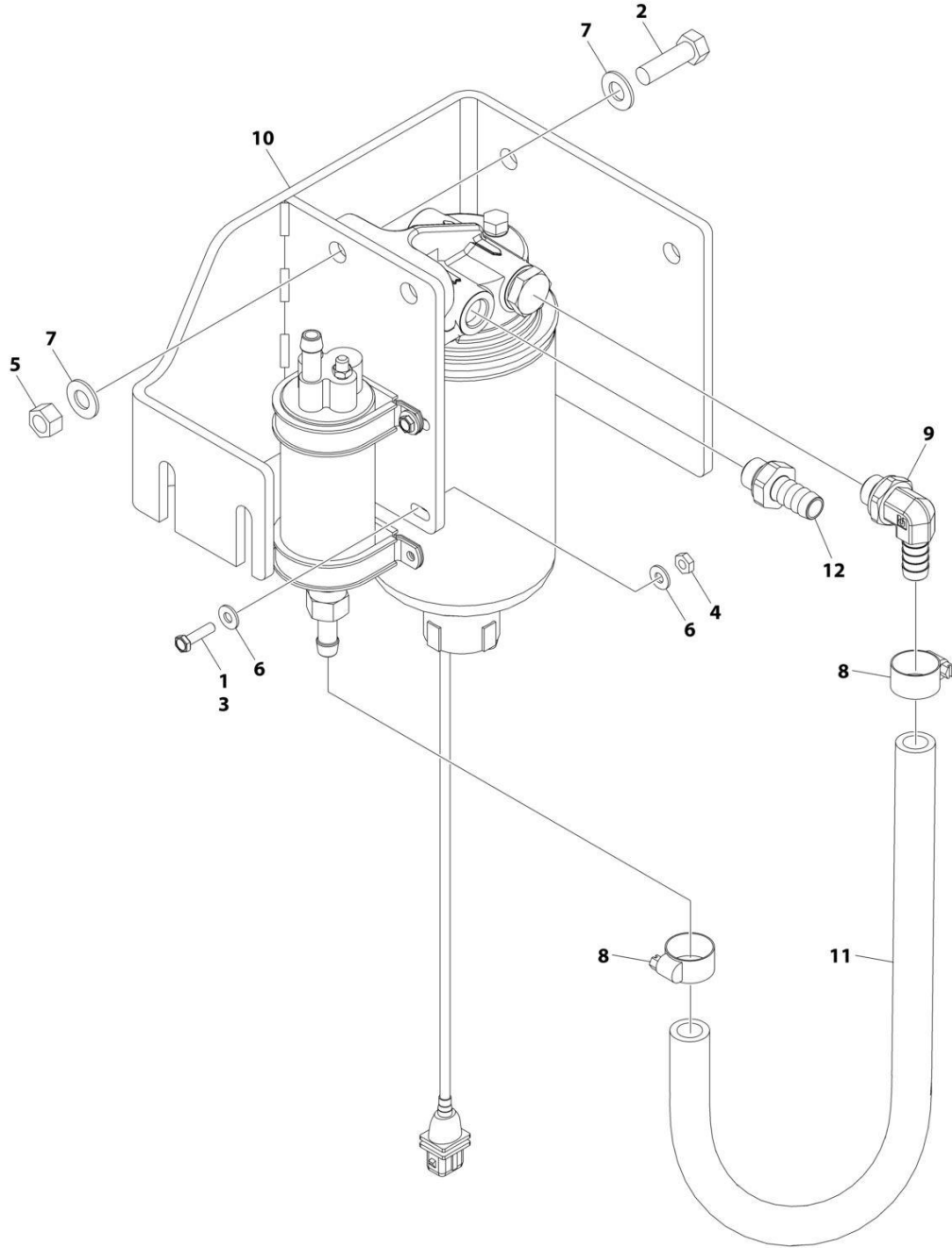
SECTION 3 - ENGINE

FIGURE 3-26. FUEL PUMP/FILTER BRACKET ASSEMBLY (DEUTZ TD2.9L4 (STAGE V) ENGINES)

| ITEM | PART NUMBER | QTY | DESCRIPTION | REV |
|------|-------------|-----------------|---|-----|
| | 1001235949 | Ref | BRACKET ASSEMBLY - FUEL PUMP AND FILTER (DEUTZ D2.9L4 (STAGE V) ENGINE) | A |
| 1 | 0100035 | AR | Compound, Locking | |
| 2 | 0641610 | 2 | Bolt 3/8 x 1-1/4 | |
| 3 | 0721006 | 4 | Bolt #10 x 3/4 | |
| 4 | 3311001 | 4 | Nut #10 | |
| 5 | 3311605 | 2 | Nut 3/8 | |
| 6 | 4711000 | 8 | Washer #10 | |
| 7 | 4711600 | 4 | Washer 3/8 | |
| 8 | 8405006 | 2 | Clamp | |
| 9 | 1001141870 | 1 | Plate, Fuel Pump Mount | |
| 10 | 1001142501 | 1 | Fitting, Elbow Barbed | |
| 11 | 1001154405 | 1.5 ft /0.4m | Hose | |

SECTION 3 - ENGINE

FIGURE 3-27. FUEL PUMP/FILTER BRACKET ASSEMBLY (DEUTZ TD2.9L4 ENGINES) (CHINA III SPECS)



ART_1001227224

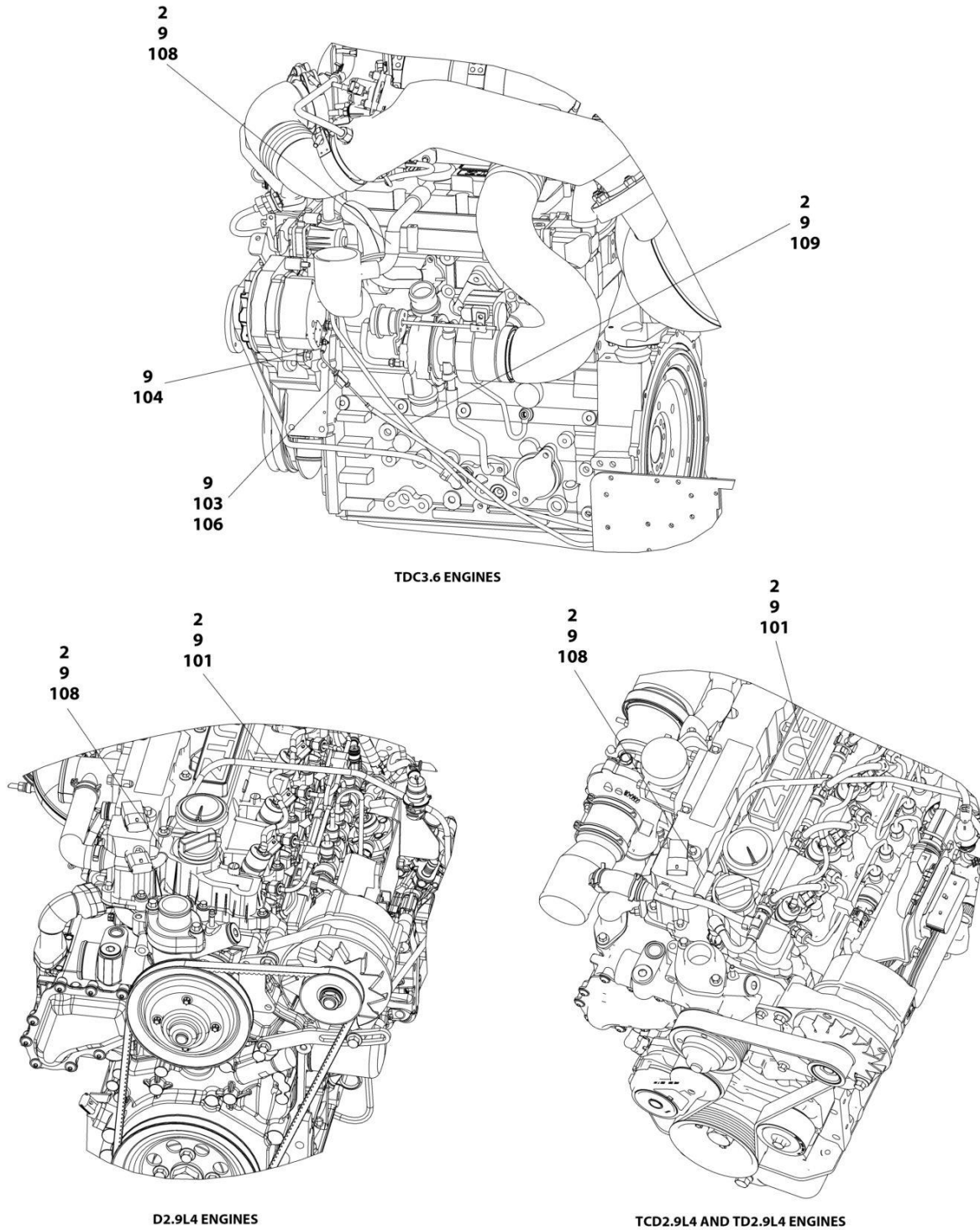
SECTION 3 - ENGINE

FIGURE 3-27. FUEL PUMP/FILTER BRACKET ASSEMBLY (DEUTZ TD2.9L4 ENGINES) (CHINA III SPECS)

| ITEM | PART NUMBER | QTY | DESCRIPTION | REV |
|------|-------------|-----------------|--|-----|
| | 1001227224 | Ref | BRACKET ASSEMBLY (LESS FUEL PUMP AND FILTER) | B |
| 1 | 0100011 | AR | Locking, Compound | |
| 2 | 0641610 | 2 | Bolt 3/8 x 1-1/4 | |
| 3 | 0721006 | 4 | Bolt #10 x 3/4 | |
| 4 | 3311001 | 4 | Nut #10 | |
| 5 | 3311605 | 2 | Nut 3/8 | |
| 6 | 4711000 | 8 | Washer #10 | |
| 7 | 4711600 | 4 | Washer 3/8 | |
| 8 | 8405006 | 2 | Clamp | |
| 9 | 1001142501 | 1 | Fitting, 90 Metric/Barbed | |
| 10 | 1001226285 | 1 | Plate, Fuel Pump Mount | |
| 11 | 1001154405 | 1.5 ft /0.4m | Hose | |
| 12 | 1001141718 | 1 | Fitting, Straight (Not Shown) | |

SECTION 3 - ENGINE

FIGURE 3-28. BREATHER HEATER INST (DEUTZ TD2.9L4 ENGINES)



ART_1001233763

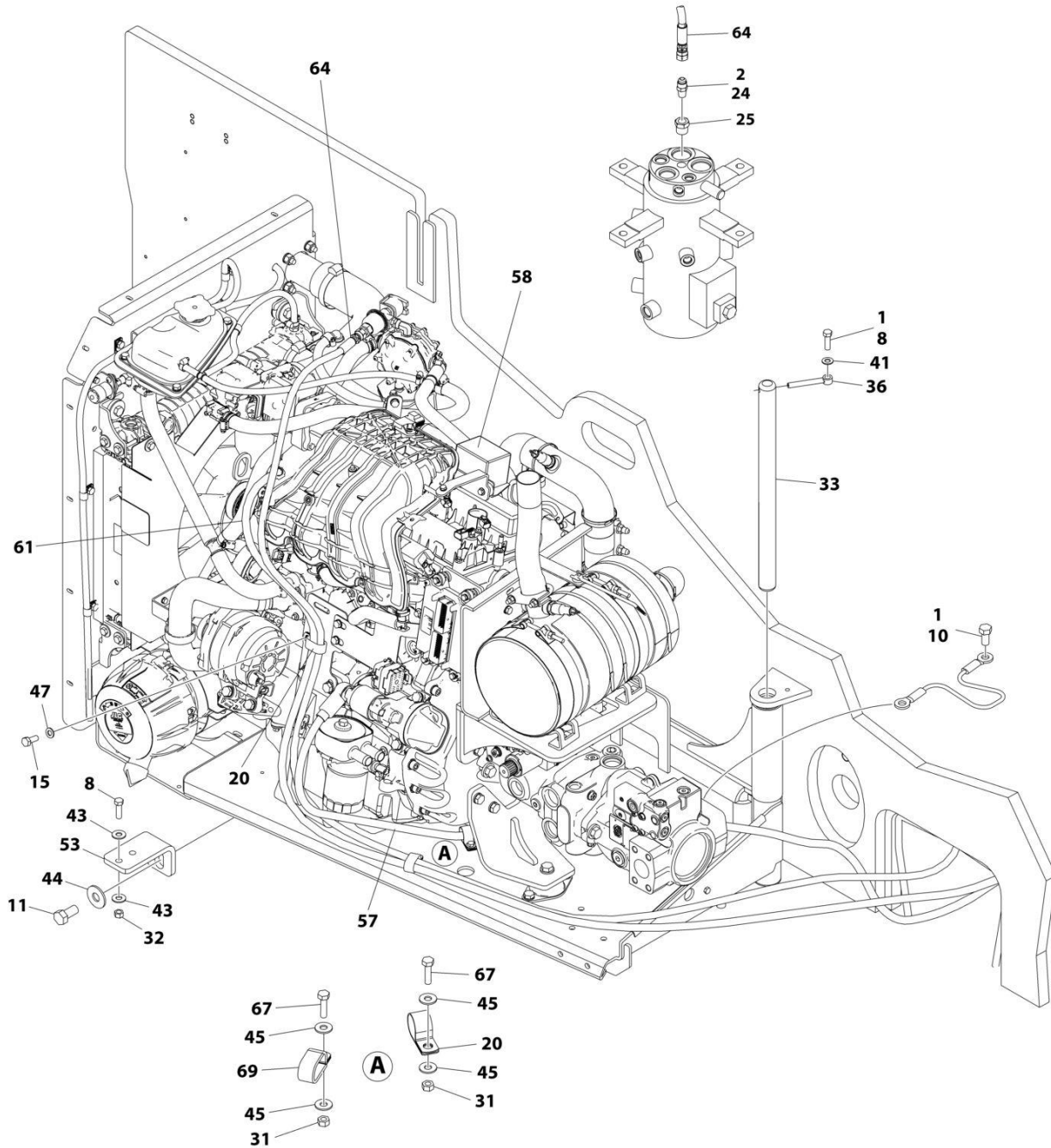
SECTION 3 - ENGINE

FIGURE 3-28. BREATHER HEATER INST (DEUTZ TD2.9L4 ENGINES)

| ITEM | PART NUMBER | QTY | DESCRIPTION | REV |
|------|-------------|-----|--|-----|
| | 1001233763 | Ref | BREATHER HEATER INSTALLATION - DEUTZ ENGINES | D |
| 2 | 4240099 | AR | Tie-Strap | |
| 9 | 1001243895 | 1 | Breather Heater Harness | C |
| 101 | 2820035 | AR | Insulation | |
| 103 | 2400060 | 1 | Fuseholder with Cover | |
| 104 | 4460043 | 1 | Terminal, Ring | |
| 105 | 4460722 | 1 | Terminal, Ring (Not Shown) | |
| 106 | 1001196634 | 1 | Fuse - 2 Amp | |
| 108 | 1001232842 | 1 | Breather Heater Kit | |

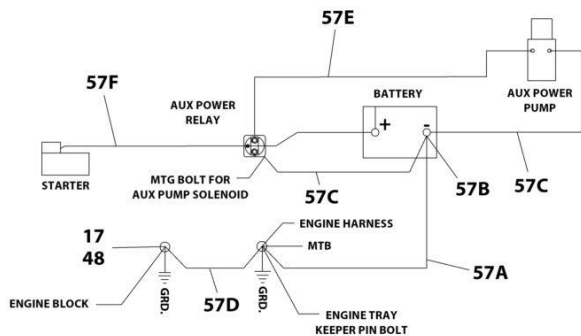
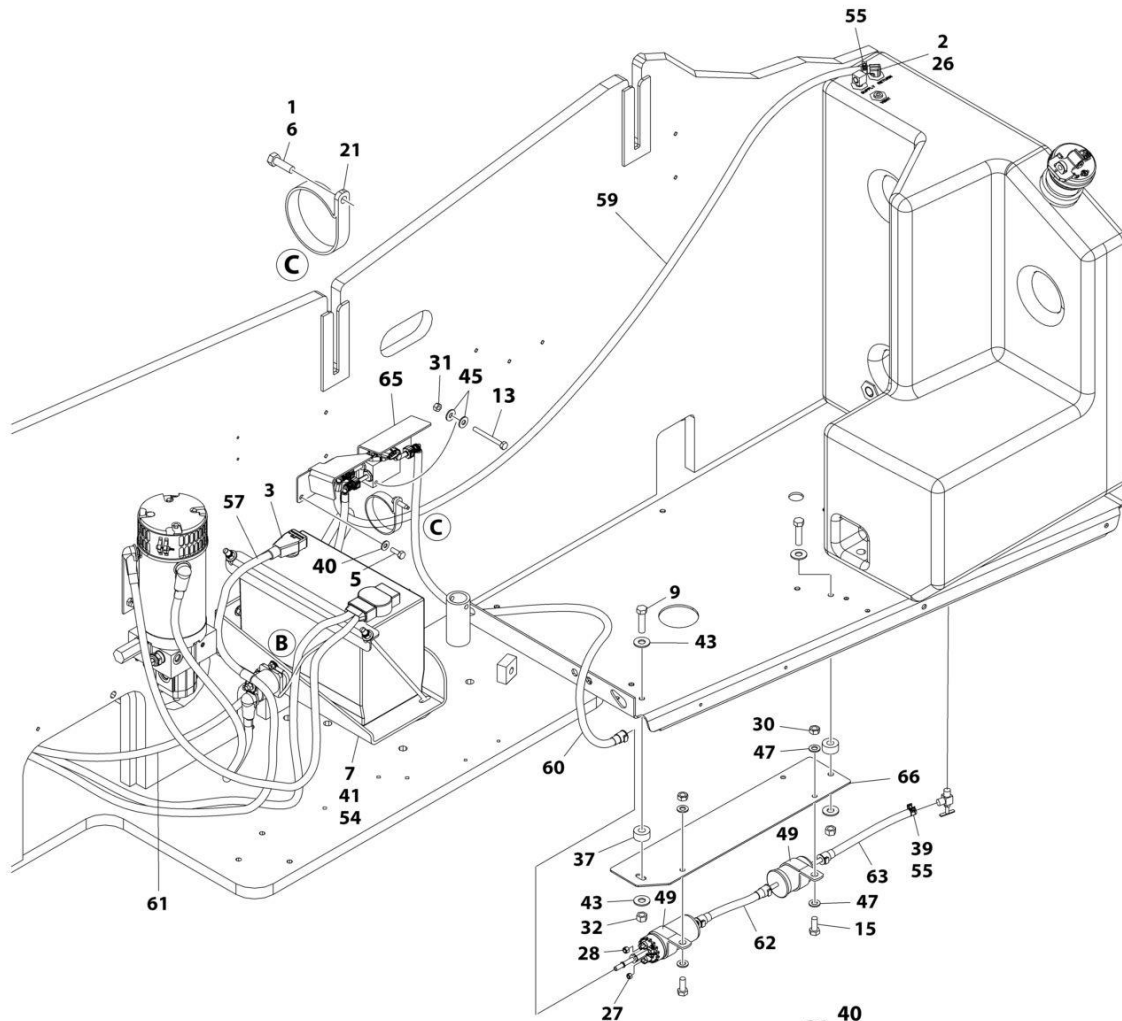
SECTION 3 - ENGINE

FIGURE 3-29. FORD ENGINE INSTALLATION (WITHOUT ARCTIC PACKAGE)

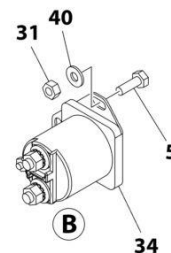


ART_1001217199_10F2

SECTION 3 - ENGINE



BATTERY CABLE KIT - ITEM 57



ART_1001217199_20F2

SECTION 3 - ENGINE

FIGURE 3-29. FORD ENGINE INSTALLATION (WITHOUT ARCTIC PACKAGE)

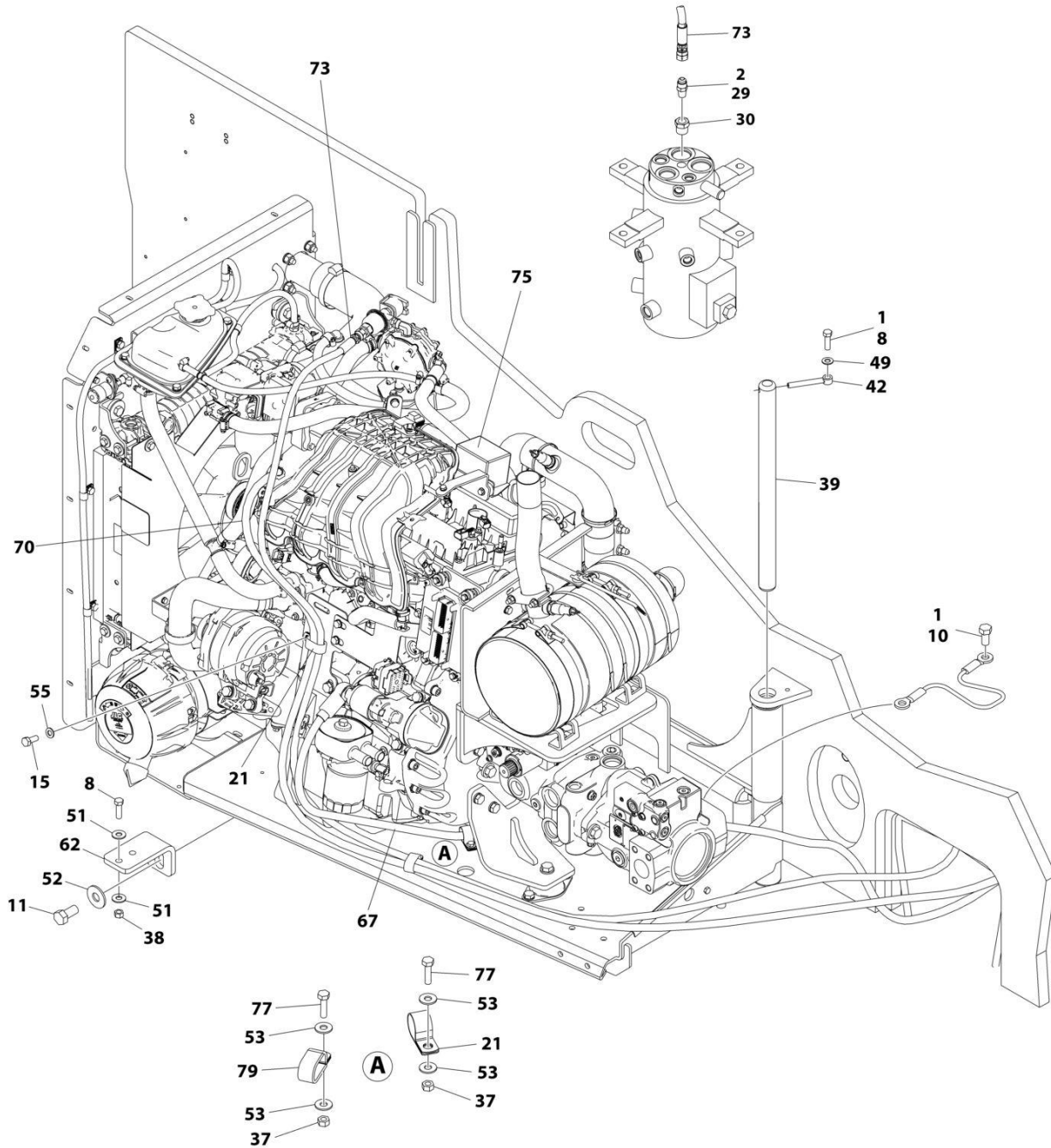
| ITEM | PART NUMBER | QTY | DESCRIPTION | REV |
|------|-------------|-----|--|-----|
| | 1001217199 | Ref | Ford Engine Installation without Arctic Package | H |
| 1 | 0100011 | AR | Compound, Locking | |
| 2 | 0100020 | AR | Sealant | |
| 3 | 0100048 | AR | Grease, Terminal | |
| 5 | 0641406 | 4 | Bolt 1/4 x 3/4 | |
| 6 | 0641508 | 1 | Bolt 5/16 x 1 | |
| 7 | 0641607 | 3 | Bolt 3/8 x 7/8 | |
| 8 | 0641610 | 3 | Bolt 3/8 x 1-1/4 | |
| 9 | 0641612 | 2 | Bolt 3/8 x 1-1/2 | |
| 10 | 0641808 | 1 | Bolt 1/2 x 1 | |
| 11 | 0642010 | 1 | Bolt 5/8 x 1-1/4 | |
| 13 | 0641420 | 2 | Bolt 1/4 x 2-1/2 | |
| 15 | 0760810 | 3 | Bolt M8 x 20 | |
| 17 | 0761008 | 1 | Bolt M10 x 16 | |
| 20 | 1321283 | 2 | Clamp | |
| 21 | 1321339 | 1 | Clamp | |
| 22 | 1701542 | 1 | Decal - Gas (Not Shown) | |
| 23 | 1701543 | 2 | Decal - LPG (Not Shown) | |
| 24 | 2180418 | 1 | Fitting, Straight | |
| 25 | 2221197 | 1 | Fitting, Reducer NPT/NPT | |
| 26 | 2221176 | 1 | Fitting, 90 | |
| 27 | 3290405 | 1 | Nut M4 | |
| 28 | 3290505 | 1 | Nut M5 | |
| 30 | 3290801 | 2 | Nut M8 | |
| 31 | 3311405 | 6 | Nut 1/4 | |
| 32 | 3311605 | 4 | Nut 3/8 | |
| 33 | 3422446 | 1 | Pin | |
| 34 | 3740067 | 1 | Relay | |
| 35 | 3790012 | 1 | O-Ring (Not Shown - Located on Platform Console Box) | |
| 36 | 3841143 | 1 | Keeper, Pin | |
| 37 | 4071122 | 2 | Shim | |
| 38 | 4360336 | 1 | Switch, Toggle (Not Shown - Located on Platform Console Box) | |
| 39 | 1001221488 | 1 | Tube, Fuel Line | |
| 40 | 4711400 | 6 | Washer 1/4 | |
| 41 | 4711600 | 4 | Washer 3/8 | |
| 43 | 4751600 | 8 | Washer 3/8 | |
| 44 | 4752000 | 1 | Washer 5/8 | |
| 45 | 4751400 | 8 | Washer 1/4 | |
| 47 | 4811900 | 5 | Washer M8 | |
| 48 | 4812000 | 1 | Washer M10 | |
| 49 | 85941018 | 2 | Clamp | |
| 53 | 1001153359 | 1 | Mount | |
| 54 | 1001162497 | 1 | Bracket, Battery | |
| 55 | 1001174486 | 2 | Clamp | |
| 57 | 1001216568 | 1 | Battery Cable Kit | B |
| 57A | 7027084 | 1 | Cable, Battery - Ground to Battery - | |
| 57B | 8270147 | 1 | Terminal, Battery with Boot | |
| 57C | 7027085 | 1 | Cable, Battery - Auxiliary Pump/Relay to Battery - | |
| 57D | 7027086 | 1 | Cable, Battery - Engine to Ground | |
| 57E | 7027088 | 1 | Cable, Battery - Auxiliary Relay to Auxiliary Pump | |

SECTION 3 - ENGINE

| ITEM | PART NUMBER | QTY | DESCRIPTION | REV |
|------|-------------|-----|--|-----|
| 57F | 70009020 | 1 | Cable, Battery - Starter/Auxiliary Relay to Battery + | |
| 58 | 1001217192 | 1 | Ford Engine and Pump Sub-Assembly (Without Arctic Package) (See Separate Breakdown in this Section) | |
| 59 | 1001219364 | 1 | Hose | |
| 60 | 1001219365 | 1 | Hose | |
| 61 | 1001219366 | 1 | Hose | |
| 62 | 1001219367 | 1 | Hose | |
| 63 | 1001219368 | 1 | Hose | |
| 64 | 1001219369 | 1 | Hose | |
| 65 | 1001219370 | 1 | Bracket | |
| 66 | 1001219809 | 1 | Bracket | |
| 67 | 0641408 | 2 | Bolt 1/4 x 1 | |
| 69 | 8406201 | 1 | Clip | |
| 70 | 4240099 | AR | Tie-Strap (Not Shown) | |

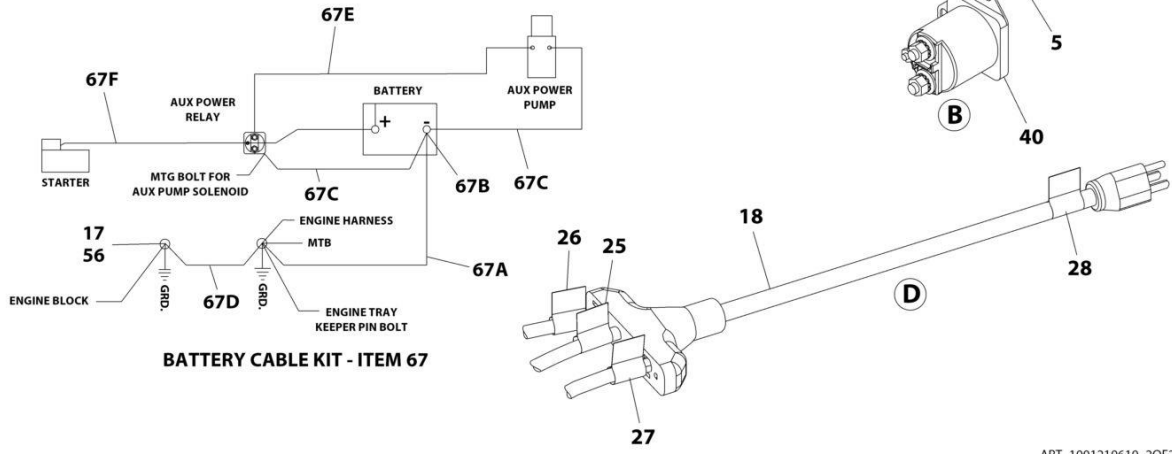
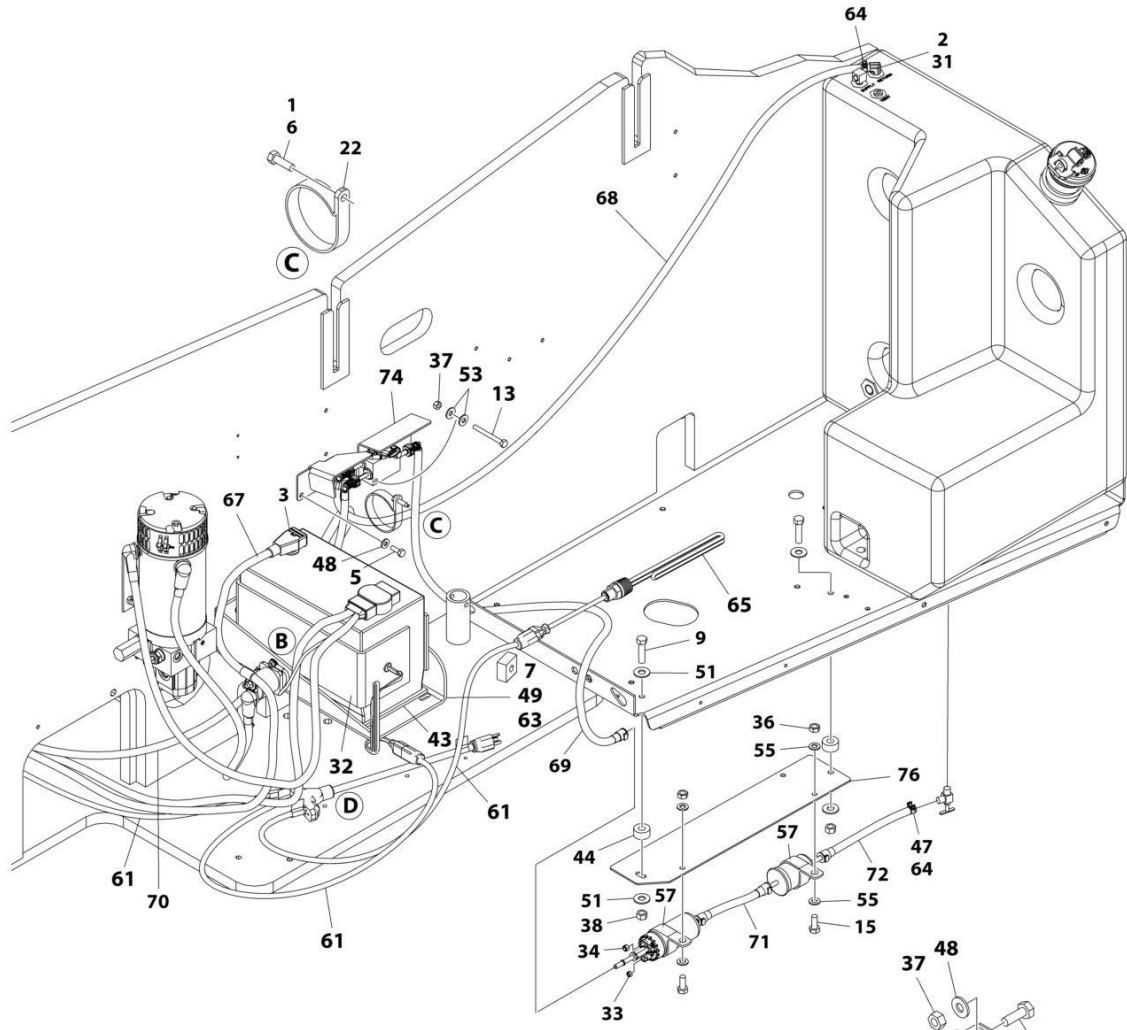
SECTION 3 - ENGINE

FIGURE 3-30. FORD ENGINE INSTALLATION (WITH ARCTIC PACKAGE)



ART_1001219610_10F2

SECTION 3 - ENGINE



ART_1001219610_20F2

SECTION 3 - ENGINE

FIGURE 3-30. FORD ENGINE INSTALLATION (WITH ARCTIC PACKAGE)

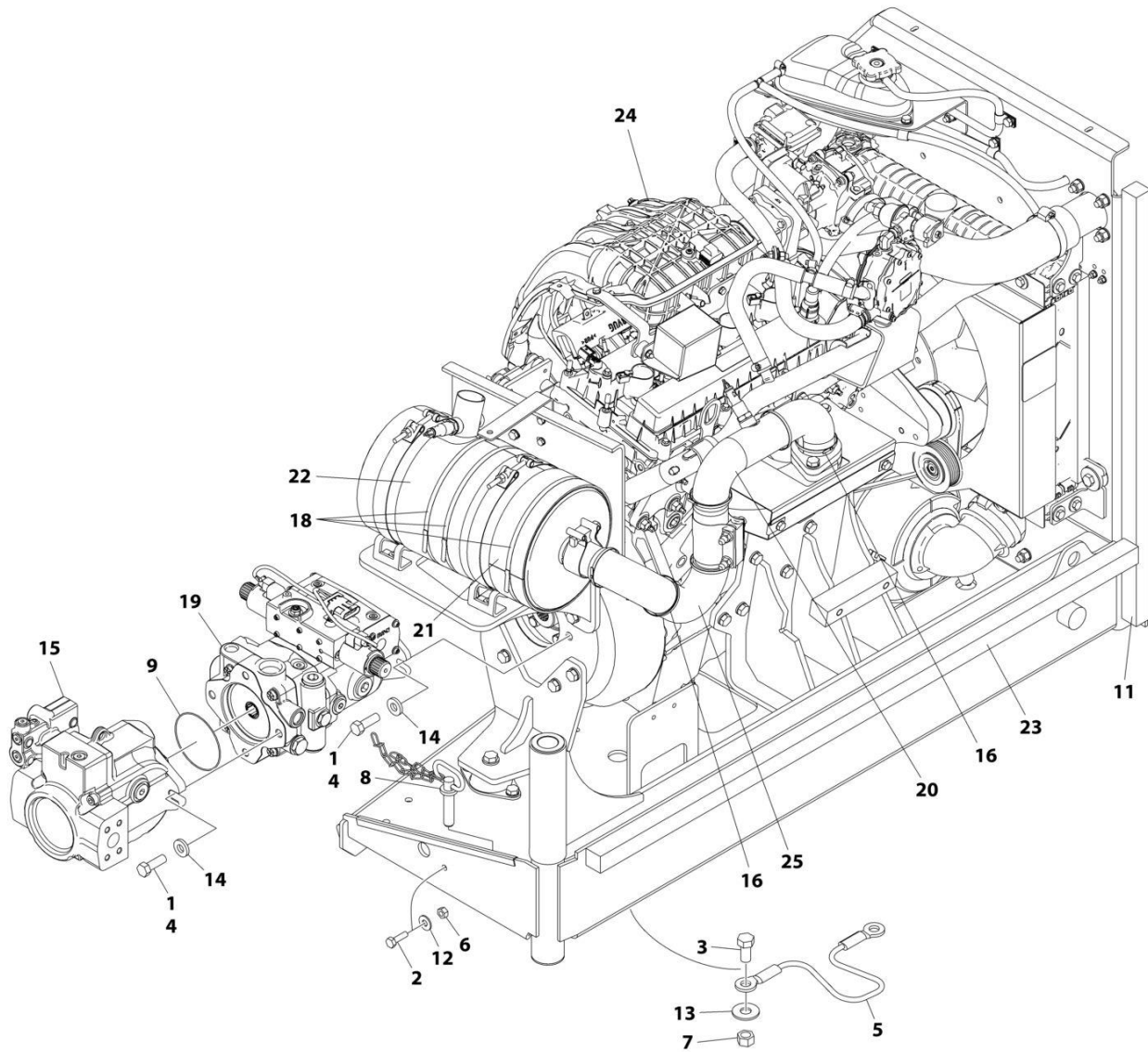
| ITEM | PART NUMBER | QTY | DESCRIPTION | REV |
|------|-------------|-----|--|-----|
| | 1001219610 | Ref | FORD ENGINE INSTALLATION (WITH ARCTIC PACKAGE) | H |
| 1 | 0100011 | AR | Compound, Locking | |
| 2 | 0100020 | AR | Sealant | |
| 3 | 0100048 | AR | Grease, Terminal | |
| 5 | 0641406 | 4 | Bolt 1/4 x 3/4 | |
| 6 | 0641508 | 1 | Bolt 5/16 x 1 | |
| 7 | 0641607 | 3 | Bolt 3/8 x 7/8 | |
| 8 | 0641610 | 3 | Bolt 3/8 x 1-1/4 | |
| 9 | 0641612 | 2 | Bolt 3/8 x 1-1/2 | |
| 10 | 0641808 | 1 | Bolt 1/2 x 1 | |
| 11 | 0642010 | 1 | Bolt 5/8 x 1-1/4 | |
| 13 | 0641420 | 2 | Bolt 1/4 x 2-1/2 | |
| 15 | 0760810 | 3 | Bolt M8 x 20 | |
| 17 | 0761008 | 1 | Bolt M10 x 16 | |
| 18 | 1060626 | 1 | Plug, 3 Way | |
| 21 | 1321283 | 2 | Clamp | |
| 22 | 1321339 | 1 | Clamp | |
| 23 | 1701542 | 1 | Decal - Gas (Not Shown) | |
| 24 | 1701543 | 2 | Decal - LPG (Not Shown) | |
| 25 | 1702941 | 1 | Decal - Battery Heater | |
| 26 | 1702942 | 1 | Decal - Engine Block Heater | |
| 27 | 1702943 | 1 | Decal - Hydraulic Tank Heater | |
| 28 | 1702944 | 1 | Decal - Heater Cord | |
| 29 | 2180418 | 1 | Fitting, Straight | |
| 30 | 2221197 | 1 | Fitting, Reducer NPT/NPT | |
| 31 | 2221176 | 1 | Fitting, 90 | |
| 32 | 2580024 | 1 | Heater, Battery | |
| 33 | 3290405 | 1 | Nut M4 | |
| 34 | 3290505 | 1 | Nut M5 | |
| 36 | 3290801 | 2 | Nut M8 | |
| 37 | 3311405 | 6 | Nut 1/4 | |
| 38 | 3311605 | 4 | Nut 3/8 | |
| 39 | 3422446 | 1 | Pin | |
| 40 | 3740067 | 1 | Relay | |
| 41 | 3790012 | 1 | O-Ring (Not Shown - Located on Platform Console Box) | |
| 42 | 3841143 | 1 | Keeper, Pin | |
| 43 | 3980007 | 1 | Seat, Battery | |
| 44 | 4071122 | 2 | Shim | |
| 45 | 4240099 | AR | Tie-Strap (Not Shown) | |
| 46 | 4360336 | 1 | Switch, Toggle (Not Shown - Located on Platform Console Box) | |
| 47 | 1001221488 | 1 | Tube, Fuel Line | |
| 48 | 4711400 | 6 | Washer 1/4 | |
| 49 | 4711600 | 4 | Washer 3/8 | |
| 51 | 4751600 | 8 | Washer 3/8 | |
| 52 | 4752000 | 1 | Washer 5/8 | |
| 53 | 4751400 | 8 | Washer 1/4 | |
| 55 | 4811900 | 5 | Washer M8 | |
| 56 | 4812000 | 1 | Washer M10 | |
| 57 | 85941018 | 2 | Clamp | |
| 61 | 1001150918 | 1 | Cable, Immersion Heater | |

SECTION 3 - ENGINE

| ITEM | PART NUMBER | QTY | DESCRIPTION | REV |
|------|-------------|-----|--|-----|
| 62 | 1001153359 | 1 | Mount | |
| 63 | 1001162497 | 1 | Bracket, Battery | |
| 64 | 1001174486 | 2 | Clamp | |
| 65 | 1001188972 | 1 | Heater, Hydraulic Tank | |
| 67 | 1001216568 | 1 | Battery Cable Kit | B |
| 67A | 7027084 | 1 | Cable, Battery - Ground to Battery - | |
| 67B | 8270147 | 1 | Terminal, Battery with Boot | |
| 67C | 7027085 | 1 | Cable, Battery - Auxiliary Pump/Relay to Battery - | |
| 67D | 7027086 | 1 | Cable, Battery - Engine to Ground | |
| 67E | 7027088 | 1 | Cable, Battery - Auxiliary Relay to Auxiliary Pump | |
| 67F | 70009020 | 1 | Cable, Battery - Starter/Auxiliary Relay to Battery + | |
| 68 | 1001219364 | 1 | Hose | |
| 69 | 1001219365 | 1 | Hose | |
| 70 | 1001219366 | 1 | Hose | |
| 71 | 1001219367 | 1 | Hose | |
| 72 | 1001219368 | 1 | Hose | |
| 73 | 1001219369 | 1 | Hose | |
| 74 | 1001219370 | 1 | Bracket | |
| 75 | 1001219609 | 1 | Ford Engine and Pump Sub-Assembly (with Arctic Package) (See Separate Breakdown in this Section) | |
| 76 | 1001219809 | 1 | Bracket | |
| 77 | 0641408 | 1 | Bolt 1/4 x 1 | |
| 79 | 8406201 | 1 | Clip, Tube | |

SECTION 3 - ENGINE

FIGURE 3-31. FORD ENGINE AND PUMP SUB-ASSEMBLY (WITHOUT ARCTIC PACKAGE)



ART_1001217192

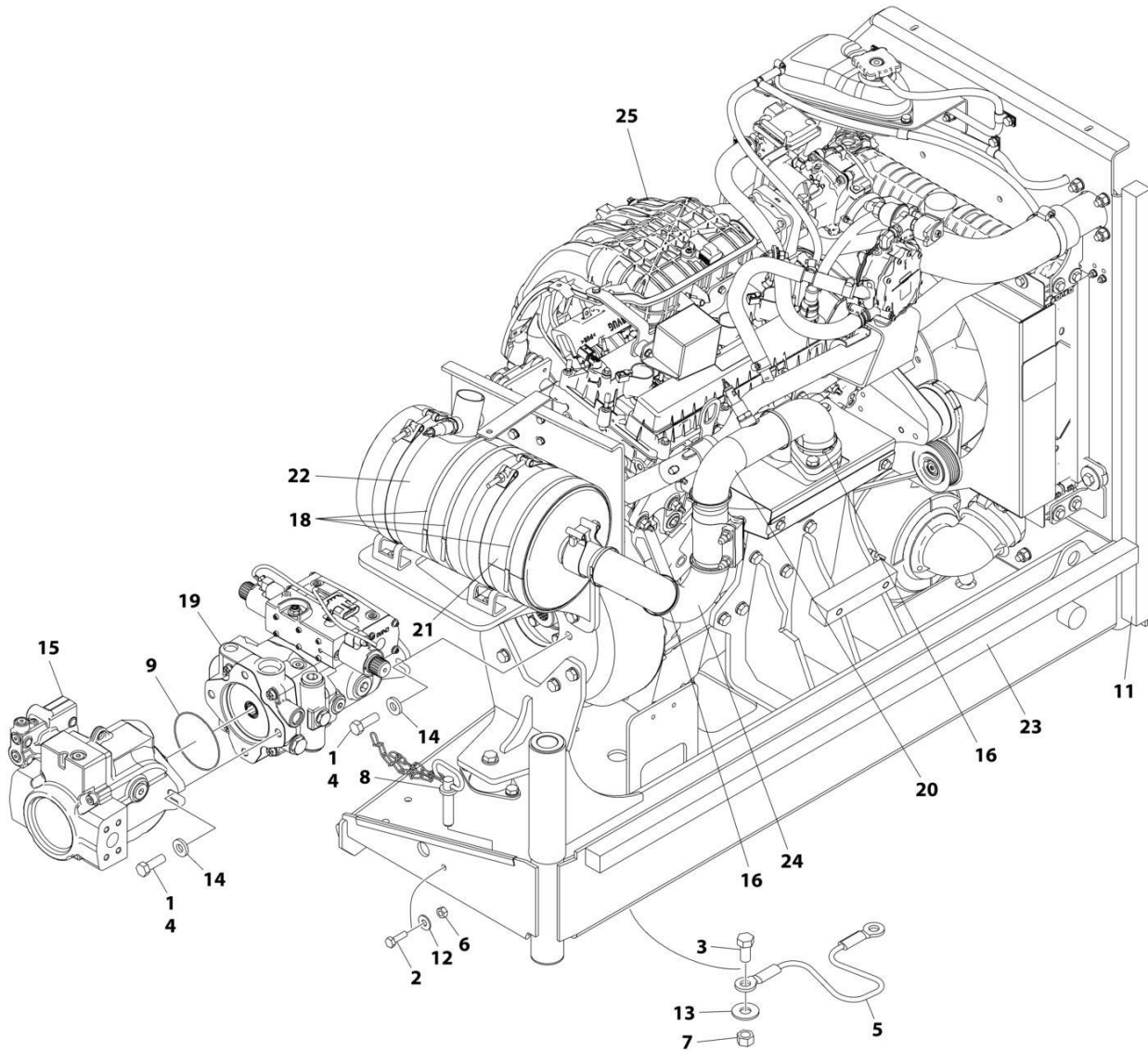
SECTION 3 - ENGINE

FIGURE 3-31. FORD ENGINE AND PUMP SUB-ASSEMBLY (WITHOUT ARCTIC PACKAGE)

| ITEM | PART NUMBER | QTY | DESCRIPTION | REV |
|------|-------------|-----|--|-----|
| | 1001217192 | Ref | FORD ENGINE AND PUMP SUB-ASSEMBLY (WITHOUT ARCTIC PACKAGE) | G |
| 1 | 0100011 | AR | Compound, Locking | |
| 2 | 0641407 | 1 | Bolt 1/4 x 7/8 | |
| 3 | 0641808 | 1 | Bolt 1/2 x 1 | |
| 4 | 0641812 | 4 | Bolt 1/2 x 1-1/2 | |
| 5 | 1060637 | 1 | Cable, Lanyard | |
| 6 | 3311405 | 1 | Nut 1/4 | |
| 7 | 3311805 | 1 | Nut 1/2 | |
| 8 | 3422532 | 1 | Pin | |
| 9 | 3790044 | 1 | O-Ring | |
| 11 | 3960469 | 1 | Seal | |
| 12 | 4751400 | 1 | Washer 1/4 | |
| 13 | 4751800 | 1 | Washer 1/2 | |
| 14 | 4891800 | 4 | Washer 1/2 | |
| 15 | 1001094595 | 1 | Variable Pump Assembly (See Separate Breakdown in this Section) | |
| 16 | 1001100825 | 6 | Strap | |
| 18 | 1001221464 | 3 | Strap | |
| 19 | 1001225745 | 1 | Hydrostatic Pump Assembly (See Separate Breakdown in this Section) | |
| 20 | 1001216532 | 1 | Insulate, Exhaust Pipe | |
| 21 | 1001216534 | 1 | Insulate, Muffler | |
| 22 | 1001216535 | 1 | Insulate, Muffler | |
| 23 | 1001217170 | 1 | Seal | |
| 24 | 1001217191 | 1 | Ford Engine Assembly without Arctic Package (See Separate Breakdown in this Section) | |
| 25 | 1001218085 | 1 | Insulate, Exhaust Pipe | |

SECTION 3 - ENGINE

FIGURE 3-32. FORD ENGINE AND PUMP SUB-ASSEMBLY (WITH ARCTIC PACKAGE)



ART_1001219609

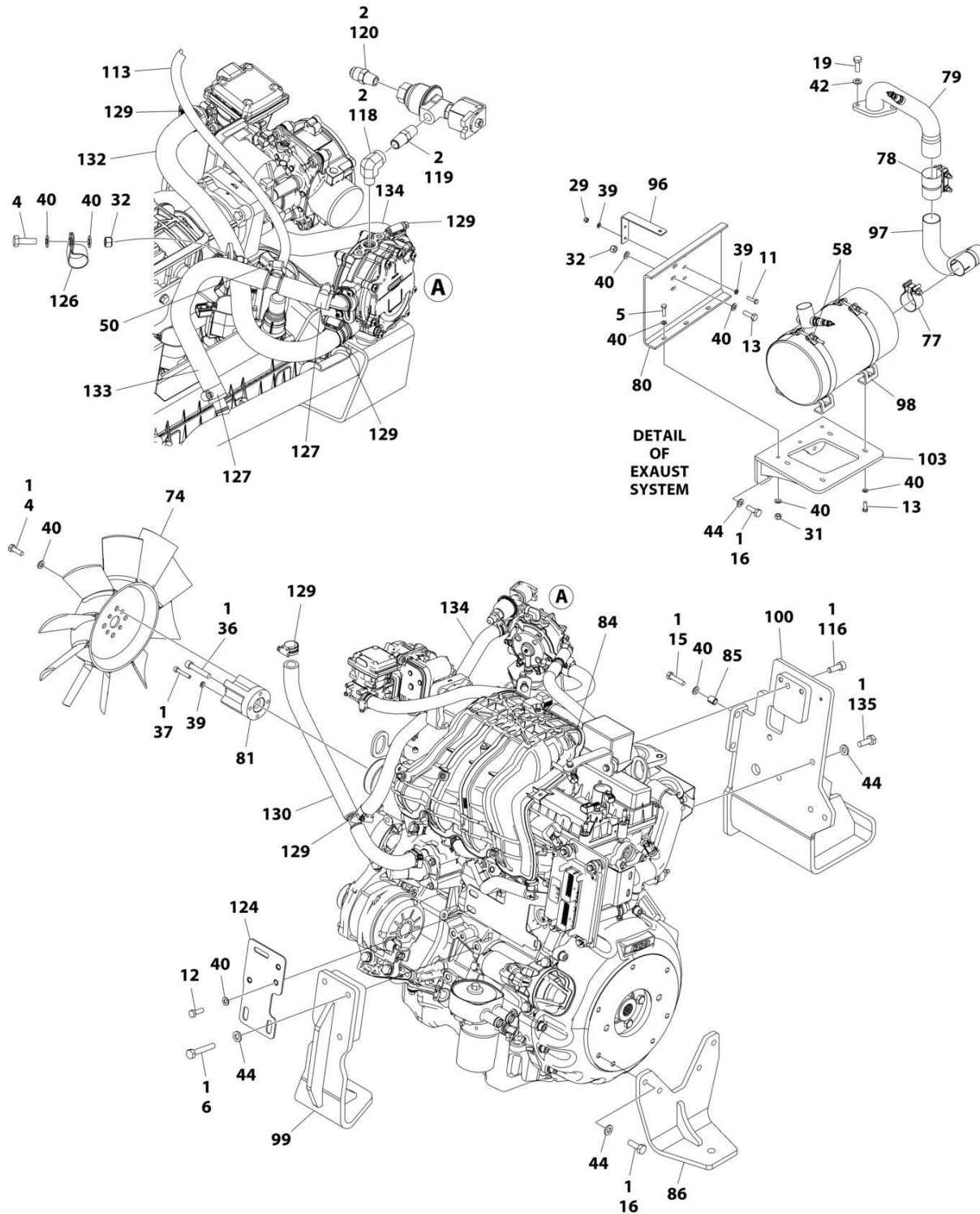
SECTION 3 - ENGINE

FIGURE 3-32. FORD ENGINE AND PUMP SUB-ASSEMBLY (WITH ARCTIC PACKAGE)

| ITEM | PART NUMBER | QTY | DESCRIPTION | REV |
|------|-------------|-----|---|-----|
| | 1001219609 | Ref | FORD ENGINE AND PUMP SUB-ASSEMBLY (WITH ARCTIC PACKAGE) | E |
| 1 | 0100011 | AR | Compound, Locking | |
| 2 | 0641407 | 1 | Bolt 1/4 x 7/8 | |
| 3 | 0641808 | 1 | Bolt 1/2 x 1 | |
| 4 | 0641812 | 4 | Bolt 1/2 x 1-1/2 | |
| 5 | 1060637 | 1 | Cable, Lanyard | |
| 6 | 3311405 | 1 | Nut 1/4 | |
| 7 | 3311805 | 1 | Nut 1/2 | |
| 8 | 3422532 | 1 | Pin | |
| 9 | 3790044 | 1 | O-Ring | |
| 11 | 3960469 | 1 | Seal | |
| 12 | 4751400 | 1 | Washer 1/4 | |
| 13 | 4751800 | 1 | Washer 1/2 | |
| 14 | 4891800 | 4 | Washer 1/2 | |
| 15 | 1001094595 | 1 | Variable Pump Assembly (See Separate Breakdown in this Section) | |
| 16 | 1001100825 | 6 | Strap | |
| 18 | 1001137336 | 3 | Strap | |
| 19 | 1001225745 | 1 | Hydrostatic Pump Assembly (See Separate Breakdown in this Section) | |
| 20 | 1001216532 | 1 | Insulate, Exhaust Pipe | |
| 21 | 1001216534 | 1 | Insulate, Muffler | |
| 22 | 1001216535 | 1 | Insulate, Muffler | |
| 23 | 1001217170 | 1 | Seal | |
| 24 | 1001218085 | 1 | Insulate, Exhaust Pipe | |
| 25 | 1001219608 | 1 | Ford Engine Assembly with Arctic Package (See Separate Breakdown in this Section) | |

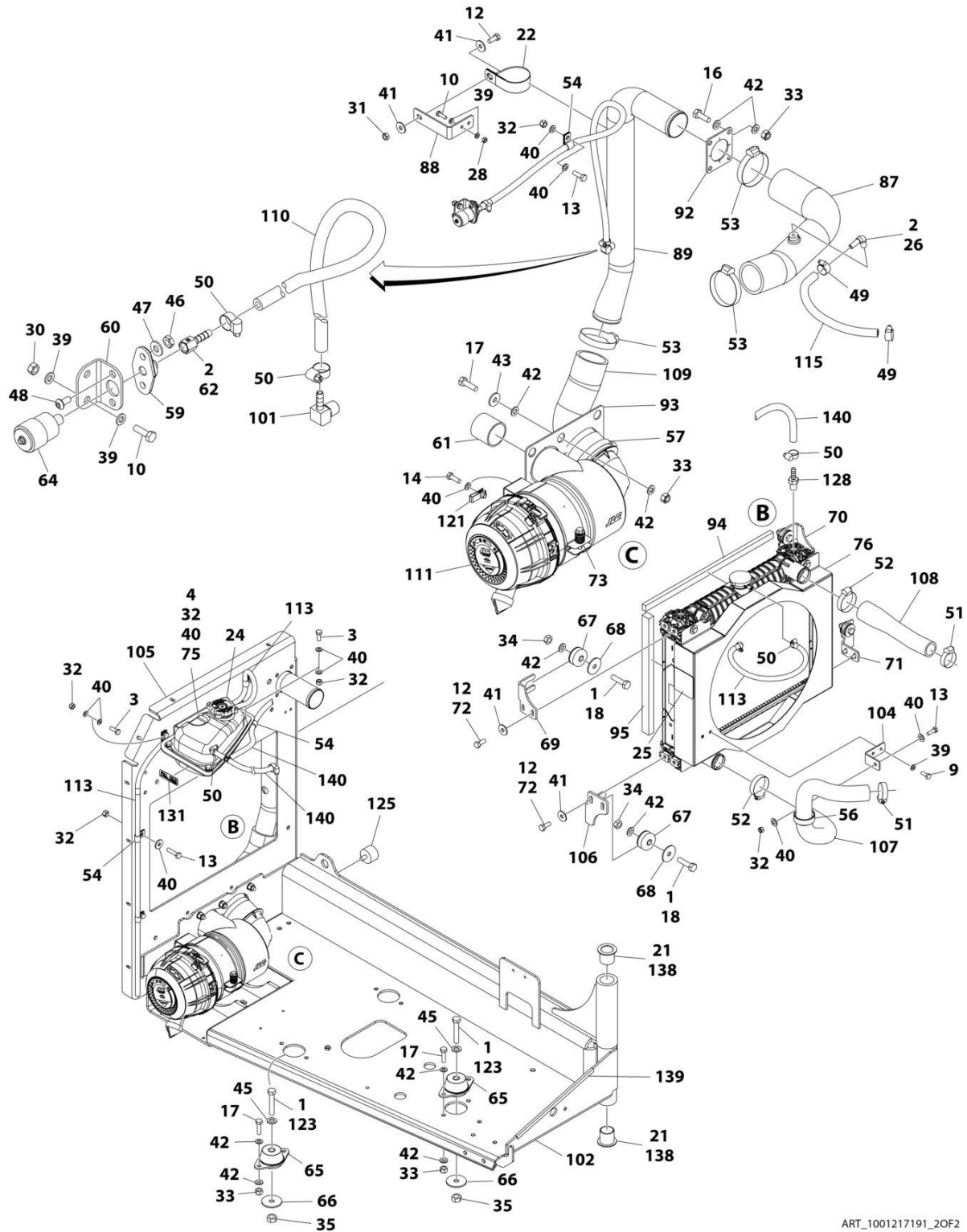
SECTION 3 - ENGINE

FIGURE 3-33. FORD ENGINE ASSEMBLY (WITHOUT ARCTIC PACKAGE)



ART_1001217191_1OF2

SECTION 3 - ENGINE



ART_1001217191_20F2

SECTION 3 - ENGINE

FIGURE 3-33. FORD ENGINE ASSEMBLY (WITHOUT ARCTIC PACKAGE)

| ITEM | PART NUMBER | QTY | DESCRIPTION | REV |
|------|-------------|-----|----------------------------|-----|
| | 1001217191 | Ref | FORD ENGINE ASSEMBLY | O |
| 1 | 0100011 | AR | Compound, Locking | |
| 2 | 0100020 | AR | Sealant | |
| 3 | 0700810 | 3 | Bolt 8 x 20 | |
| 4 | 0700812 | 7 | Bolt 8 x 25 | |
| 5 | 0700814 | 3 | Bolt 8 x 30 | |
| 6 | 0711020 | 3 | Bolt M10 x 60 | |
| 9 | 0760608 | 2 | Bolt 6 x 16 | |
| 10 | 0760610 | 4 | Bolt M6 x 20 | |
| 11 | 0760612 | 2 | Bolt 6 x 25 | |
| 12 | 0760810 | 11 | Bolt M8 x 20 | |
| 13 | 0760812 | 12 | Bolt M8 x 25 | |
| 14 | 0760814 | 2 | Bolt M8 x 30 | |
| 15 | 0760815 | 2 | Bolt M8 x 35 | |
| 16 | 0761014 | 11 | Bolt M10 x 30 | |
| 17 | 0761015 | 12 | Bolt M10 x 35 | |
| 18 | 0761016 | 4 | Bolt M10 x 40 | |
| 19 | 0771014 | 2 | Bolt 10 x 30 | |
| 21 | 0961986 | 2 | Bearing, Flange | |
| 22 | 1320110 | 1 | Clamp | |
| 23 | 1001187781 | 1 | Tie-Strap (Not Shown) | |
| 24 | 1001223584 | 1 | Tank, Surge | |
| 25 | 1703162 | 2 | Decal - Fan Blade | |
| 26 | 2180467 | 1 | Fitting, Straight NPT/Barb | |
| 28 | 3290601 | 2 | Nut M6 | |
| 29 | 3290605 | 2 | Nut M6 | |
| 30 | 3290607 | 2 | Nut M6 | |
| 31 | 3290801 | 4 | Nut M8 | |
| 32 | 3290805 | 14 | Nut M8 | |
| 33 | 3291005 | 16 | Nut M10 | |
| 34 | 3291001 | 4 | Nut M10 | |
| 35 | 3291201 | 3 | Nut M12 | |
| 36 | 3931640 | 1 | Screw 3/8 x 2-1/2 | |
| 37 | 4031711 | 4 | Capscrew M6 x 35 | |
| 38 | 4240099 | AR | Tie-Strap (Not Shown) | |
| 39 | 4811700 | 18 | Washer M6 | |
| 40 | 4811900 | 48 | Washer M8 | |
| 41 | 4811902 | 10 | Washer M8 | |
| 42 | 4812000 | 38 | Washer M10 | |
| 43 | 4812002 | 6 | Washer M10 | |
| 44 | 5241000 | 15 | Washer M10 | |
| 45 | 5241200 | 3 | Washer M12 | |
| 46 | 8305401 | 2 | Nut Jam | |
| 47 | 8307109 | 2 | Washer | |
| 48 | 8310548 | 2 | Screw 1/4 x 1/2 | |
| 49 | 8405006 | 2 | Clamp | |
| 50 | 8405009 | 5 | Gear | |
| 51 | 8405102 | 2 | Clamp | |
| 52 | 8405104 | 2 | Clamp | |
| 53 | 8405203 | 3 | Clamp | |

SECTION 3 - ENGINE

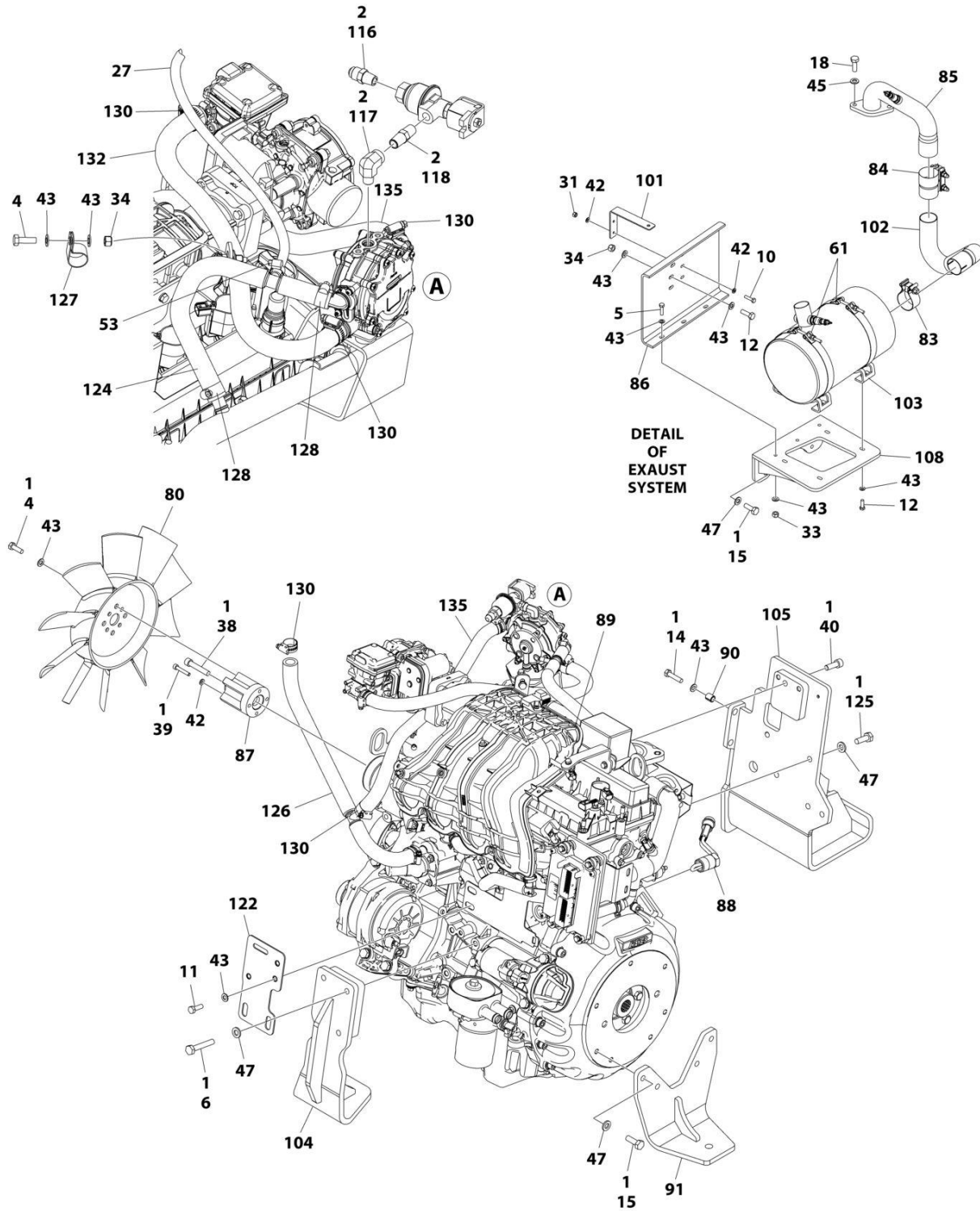
| ITEM | PART NUMBER | QTY | DESCRIPTION | REV |
|------|-------------|--------|--|-----|
| 54 | 8406109 | 6 | Clip | |
| 56 | 8410001 | 1 | Clamp | |
| 57 | 8410011 | 1 | Clamp | |
| 58 | 1001128901 | 2 | Strap | |
| 59 | 1001138173 | 1 | Support | |
| 60 | 1001138175 | 1 | Bracket | |
| 61 | 1001141585 | 1 | Hose | |
| 62 | 1001141995 | 2 | Fitting, Straight NPT/Barbed | |
| 64 | 1001149639 | 1 | Indicator, Restriction | |
| 65 | 1001191610 | 3 | Mount, Motor | |
| 66 | 1001168018 | 3 | Washer | |
| 67 | 1001169054 | 4 | Isolator | |
| 68 | 1001169138 | 4 | Pad, Snubbing | |
| 69 | 1001169967 | 1 | Bracket | |
| 70 | 1001170035 | 1 | Bracket | |
| 71 | 1001176329 | 1 | Bracket | |
| 72 | 1001180620 | AR | Adhesive | |
| 73 | 1001186426 | 1 | Clamp | |
| 74 | 1001223042 | 1 | Fan | |
| 75 | 1001225442 | 1 | Bracket | |
| 76 | 1001223923 | 1 | Radiator | |
| 77 | 1001215681 | 1 | Clamp | |
| 78 | 1001215974 | 1 | Clamp | |
| 79 | 1001216075 | 1 | Pipe, Exhaust | |
| 80 | 1001216092 | 1 | Shield, Heat | |
| 81 | 1001216201 | 1 | Adapter | |
| 84 | 1001216910 | 1 | Ford Engine Prep Assembly (See Separate Breakdown in this Section) | |
| 85 | 1001216919 | 2 | Sleeve | |
| 86 | 1001216995 | 1 | Mount, Engine Rear | |
| 87 | 1001217032 | 1 | Tube | |
| 88 | 1001217046 | 1 | Bracket | |
| 89 | 1001217090 | 1 | Tube | |
| 92 | 1001217174 | 1 | Seal | |
| 93 | 1001217175 | 1 | Seal | |
| 94 | 1001217183 | 2 | Seal | |
| 95 | 1001217185 | 2 | Seal | |
| 96 | 1001217186 | 1 | Support | |
| 97 | 1001217317 | 1 | Pipe | |
| 98 | 1001217543 | 2 | Mount | |
| 99 | 1001218362 | 1 | Mount | |
| 100 | 1001218449 | 1 | Bracket | |
| 101 | 1001134488 | 1 | Fitting | |
| 102 | 1001219259 | 1 | Support | |
| 103 | 1001219345 | 1 | Muffler | |
| 104 | 1001219361 | 1 | Support | |
| 105 | 1001219363 | 1 | Plate | |
| 106 | 1001219480 | 1 | Bracket | |
| 107 | 1001219611 | 1 | Hose | |
| 108 | 1001219612 | 1 | Hose | |
| 109 | 1001219613 | 1 | Tube | |
| 110 | 1001138248 | 31 in/ | Tube | |

SECTION 3 - ENGINE

| ITEM | PART NUMBER | QTY | DESCRIPTION | REV |
|------|-------------|----------------|----------------------------|-----|
| | | 77cm | | |
| 111 | 1001189979 | 1 | Air Filter Assembly | |
| 111 | 70005008 | 1 | Element, Filter - Primary | |
| 111 | 70006460 | 1 | Element, Filter -Secondary | |
| 111 | 8273291 | 1 | Valve, Dust Evacuator | |
| 111 | 70006461 | 1 | Cover | |
| 113 | 2720058 | 55 in/ 1.5m | Hose | |
| 115 | 1001165035 | 10 26cm | Hose | |
| 116 | 5272010 | 1 | Bolt M10 x 30 | |
| 118 | 1001247359 | 1 | Fitting, 90 FSNPSM/NPTF | |
| 119 | 2220261 | 1 | Fitting | |
| 120 | 2180418 | 1 | Fitting | |
| 121 | 1001221615 | 2 | Nut M8 | |
| 123 | 0711223 | 3 | Bolt 12 x 75 | |
| 124 | 1001222033 | 1 | Plate | |
| 125 | 0940070 | 1 | Bumper | |
| 126 | 8406201 | 1 | Clip | |
| 127 | 8410009 | 2 | Gear Clamp | |
| 128 | 2180348 | 1 | Fitting | |
| 129 | 1001173535 | 6 | Clamp | |
| 130 | 1001224489 | 1 | Hose | |
| 131 | 1001225510 | 1 | Decal | |
| 132 | 1001216531 | 1 | Hose | |
| 133 | 1001227666 | 1 | Hose | |
| 134 | 1001224486 | 1 | Hose | |
| 135 | 0711014 | 5 | Bolt 10 x 30 | |
| 138 | 0100062 | AR | Compound Locking | |
| 139 | 4060805 | 16 in/ 41cm | Shield | |
| 140 | 1001227667 | 1 | Hose | |

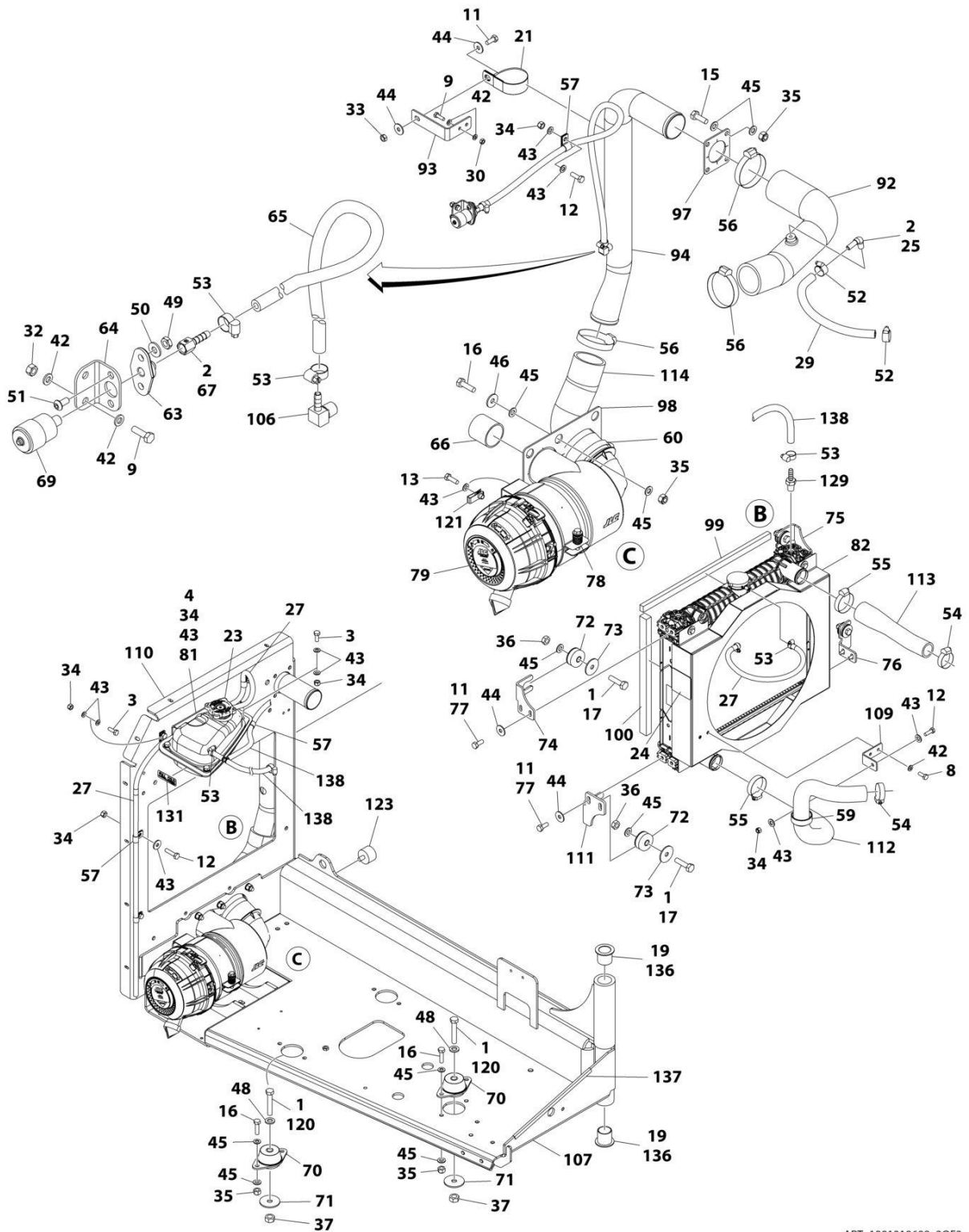
SECTION 3 - ENGINE

FIGURE 3-34. FORD ENGINE ASSEMBLY (WITH ARCTIC PACKAGE)



ART_1001219608_10F2

SECTION 3 - ENGINE



ART_1001219608_2OF2

SECTION 3 - ENGINE

FIGURE 3-34. FORD ENGINE ASSEMBLY (WITH ARCTIC PACKAGE)

| ITEM | PART NUMBER | QTY | DESCRIPTION | REV |
|------|-------------|----------------|----------------------------|-----|
| | 1001219608 | Ref | FORD ENGINE ASSEMBLY | L |
| 1 | 0100011 | AR | Compound, Locking | |
| 2 | 0100020 | AR | Sealant | |
| 3 | 0700810 | 3 | Bolt M8 x 20 | |
| 4 | 0700812 | 7 | Bolt M8 x 25 | |
| 5 | 0700814 | 3 | Bolt M8 x 30 | |
| 6 | 0711020 | 3 | Bolt M10 x 60 | |
| 8 | 0760608 | 2 | Bolt M6 x 16 | |
| 9 | 0760610 | 4 | Bolt M6 x 20 | |
| 10 | 0760612 | 2 | Bolt M6 x 25 | |
| 11 | 0760810 | 11 | Bolt M8 x 20 | |
| 12 | 0760812 | 12 | Bolt M8 x 25 | |
| 13 | 0760814 | 2 | Bolt M8 x 30 | |
| 14 | 0760815 | 2 | Bolt M8 x 35 | |
| 15 | 0761014 | 11 | Bolt M10 x 30 | |
| 16 | 0761015 | 12 | Bolt M10 x 35 | |
| 17 | 0761016 | 4 | Bolt M10 x 40 | |
| 18 | 0771014 | 2 | Bolt M10 x 30 | |
| 19 | 0961986 | 2 | Bearing, Flange | |
| 21 | 1320110 | 1 | Clamp | |
| 22 | 1001187781 | 1 | Tie-Strap (Not Shown) | |
| 23 | 1001223584 | 1 | Tank, Surge | |
| 24 | 1703162 | 2 | Decal - Fan Blade | |
| 25 | 2180467 | 1 | Fitting, Straight NPT/Barb | |
| 27 | 2720058 | 55 in/ 1.5m | Hose | |
| 29 | 1001165035 | 10 26cm | Hose | |
| 30 | 3290601 | 2 | Nut M6 | |
| 31 | 3290605 | 2 | Nut M6 | |
| 32 | 3290607 | 2 | Nut M6 | |
| 33 | 3290801 | 4 | Nut M8 | |
| 34 | 3290805 | 14 | Nut M8 | |
| 35 | 3291005 | 16 | Nut M10 | |
| 36 | 3291001 | 4 | Nut M10 | |
| 37 | 3291201 | 3 | Nut M12 | |
| 38 | 3931640 | 1 | Screw 3/8 x 2-1/2 | |
| 39 | 4031711 | 4 | Capscrew M6 x 35 | |
| 40 | 5272010 | 1 | Bolt M10 x 30 | |
| 41 | 4240099 | AR | Tie-Strap (Not Shown) | |
| 42 | 4811700 | 18 | Washer M6 | |
| 43 | 4811900 | 48 | Washer M8 | |
| 44 | 4811902 | 10 | Washer M8 | |
| 45 | 4812000 | 38 | Washer M10 | |
| 46 | 4812002 | 6 | Washer M10 | |
| 47 | 5241000 | 15 | Washer M10 | |
| 48 | 5241200 | 3 | Washer M12 | |
| 49 | 8305401 | 2 | Nut Jam | |
| 50 | 8307109 | 2 | Washer | |
| 51 | 8310548 | 2 | Bolt 1/4 x 1/2 | |
| 52 | 8405006 | 2 | Clamp | |

SECTION 3 - ENGINE

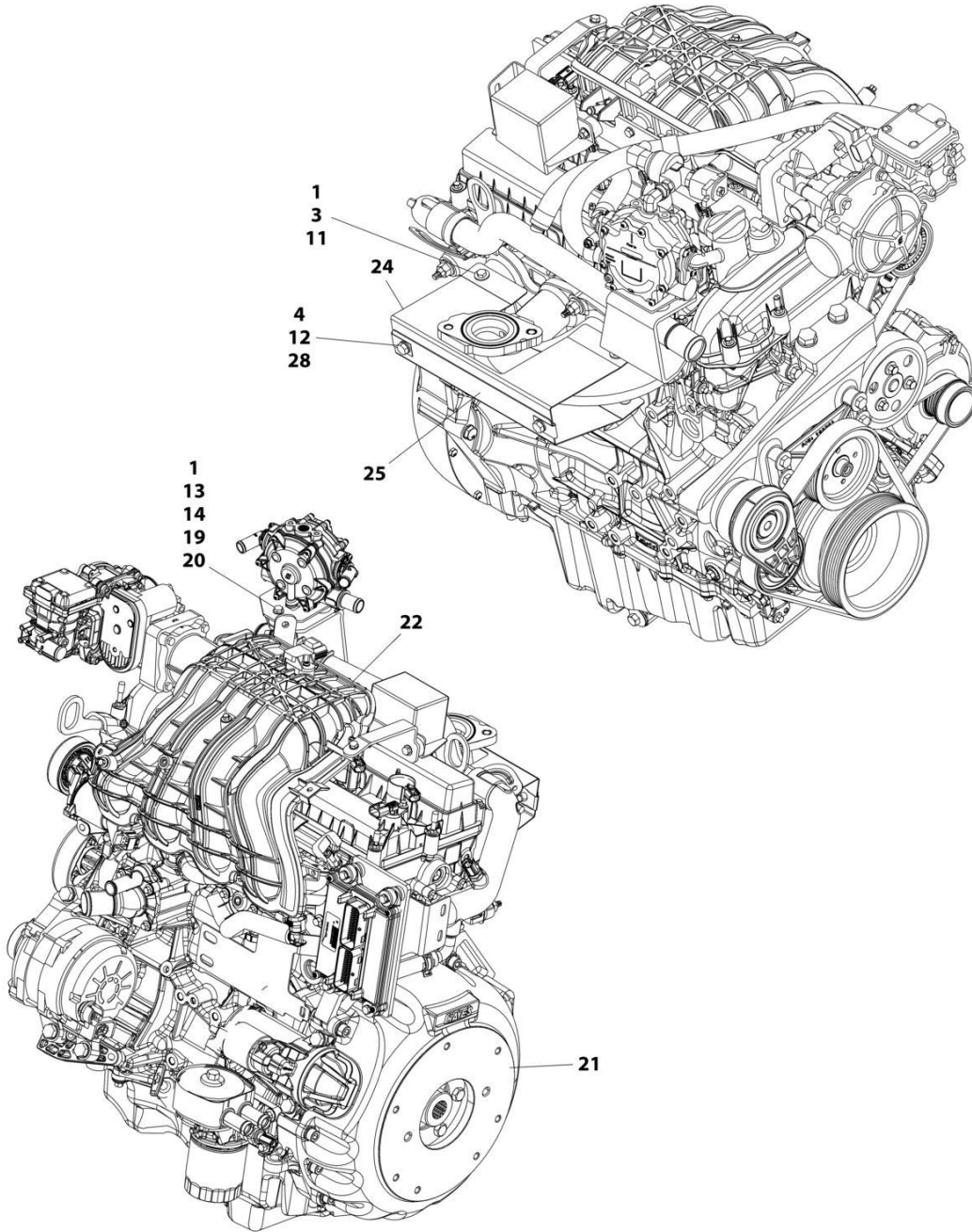
| ITEM | PART NUMBER | QTY | DESCRIPTION | REV |
|------|-------------|----------------|--|-----|
| 53 | 8405009 | 5 | Gear | |
| 54 | 8405102 | 2 | Clamp | |
| 55 | 8405104 | 2 | Clamp | |
| 56 | 8405203 | 3 | Clamp | |
| 57 | 8406109 | 6 | Clip | |
| 59 | 8410001 | 1 | Clamp | |
| 60 | 8410011 | 1 | Clamp | |
| 61 | 1001128901 | 2 | Strap | |
| 63 | 1001138173 | 1 | Support | |
| 64 | 1001138175 | 1 | Bracket | |
| 65 | 1001138248 | 31 in/ 77cm | Tube | |
| 66 | 1001141585 | 1 | Hose | |
| 67 | 1001141995 | 1 | Fitting, Straight NPT/Barbed | |
| 69 | 1001149639 | 1 | Indicator, Restriction | |
| 70 | 1001191610 | 3 | Mount, Motor | |
| 71 | 1001168018 | 3 | Washer | |
| 72 | 1001169054 | 4 | Isolator | |
| 73 | 1001169138 | 4 | Pad, Snubbing | |
| 74 | 1001169967 | 1 | Bracket | |
| 75 | 1001170035 | 1 | Bracket | |
| 76 | 1001176329 | 1 | Bracket | |
| 77 | 1001180620 | AR | Adhesive | |
| 78 | 1001186426 | 1 | Clamp | |
| 79 | 1001189979 | 1 | Air Filter Assembly | |
| 79 | 70005008 | 4 | Element, Filter - Primary | |
| 79 | 70006460 | 4 | Element, Filter - Secondary | |
| 79 | 8273291 | 1 | Valve, Dust Evacuator | |
| 79 | 70006461 | 1 | Cover | |
| 80 | 1001223042 | 1 | Fan | |
| 81 | 1001225442 | 1 | Bracket | |
| 82 | 1001223923 | 1 | Radiator | |
| 83 | 1001215681 | 1 | Clamp | |
| 84 | 1001215974 | 1 | Clamp | |
| 85 | 1001216075 | 1 | Pipe, Exhaust | |
| 86 | 1001216092 | 1 | Shield, Heat | |
| 87 | 1001216201 | 1 | Adapter | |
| 88 | 1001216393 | 1 | Heater, Block | |
| 89 | 1001216910 | 1 | Ford Engine Prep Assembly (See Separate Breakdown in this Section) | |
| 90 | 1001216919 | 2 | Sleeve | |
| 91 | 1001216995 | 1 | Mount, Engine Rear | |
| 92 | 1001217032 | 1 | Tube | |
| 93 | 1001217046 | 1 | Bracket | |
| 94 | 1001217090 | 1 | Tube | |
| 97 | 1001217174 | 1 | Seal | |
| 98 | 1001217175 | 1 | Seal | |
| 99 | 1001217183 | 2 | Seal | |
| 100 | 1001217185 | 2 | Seal | |
| 101 | 1001217186 | 1 | Support | |
| 102 | 1001217317 | 1 | Pipe | |
| 103 | 1001217543 | 2 | Mount | |

SECTION 3 - ENGINE

| ITEM | PART NUMBER | QTY | DESCRIPTION | REV |
|------|-------------|----------------|-------------------------|-----|
| 104 | 1001218362 | 1 | Mount | |
| 105 | 1001218449 | 1 | Bracket | |
| 106 | 1001134488 | 1 | Fitting | |
| 107 | 1001219259 | 1 | Support | |
| 108 | 1001219345 | 1 | Muffler | |
| 109 | 1001219361 | 1 | Support | |
| 110 | 1001219363 | 1 | Plate | |
| 111 | 1001219480 | 1 | Bracket | |
| 112 | 1001219611 | 1 | Hose | |
| 113 | 1001219612 | 1 | Hose | |
| 114 | 1001219613 | 1 | Tube | |
| 116 | 2180418 | 1 | Fitting | |
| 117 | 1001247359 | 1 | Fitting, 90 FSNPSM/NPTF | |
| 118 | 2220261 | 1 | Fitting | |
| 120 | 0711223 | 3 | Bolt M12 x 75 | |
| 121 | 1001221615 | 2 | Nut M8 | |
| 122 | 1001222033 | 1 | Plate | |
| 123 | 0940070 | 1 | Bumper | |
| 124 | 1001227666 | 1 | Hose | |
| 125 | 0711014 | 5 | Bolt M10 x 30 | |
| 126 | 1001224489 | 1 | Hose | |
| 127 | 8406201 | 1 | Clip | |
| 128 | 8410009 | 2 | Gear Clamp | |
| 129 | 2180348 | 1 | Fitting | |
| 130 | 1001173535 | 6 | Clamp | |
| 131 | 1001225510 | 1 | Decal | |
| 132 | 1001216531 | 1 | Hose | |
| 135 | 1001224486 | 1 | Hose | |
| 136 | 0100062 | AR | Compound Locking | |
| 137 | 4060805 | 16 in/ 41cm | Shield | |
| 138 | 1001227667 | 1 | Hose | |

SECTION 3 - ENGINE

FIGURE 3-35. FORD ENGINE PREP ASSEMBLY



ART_1001216910_F

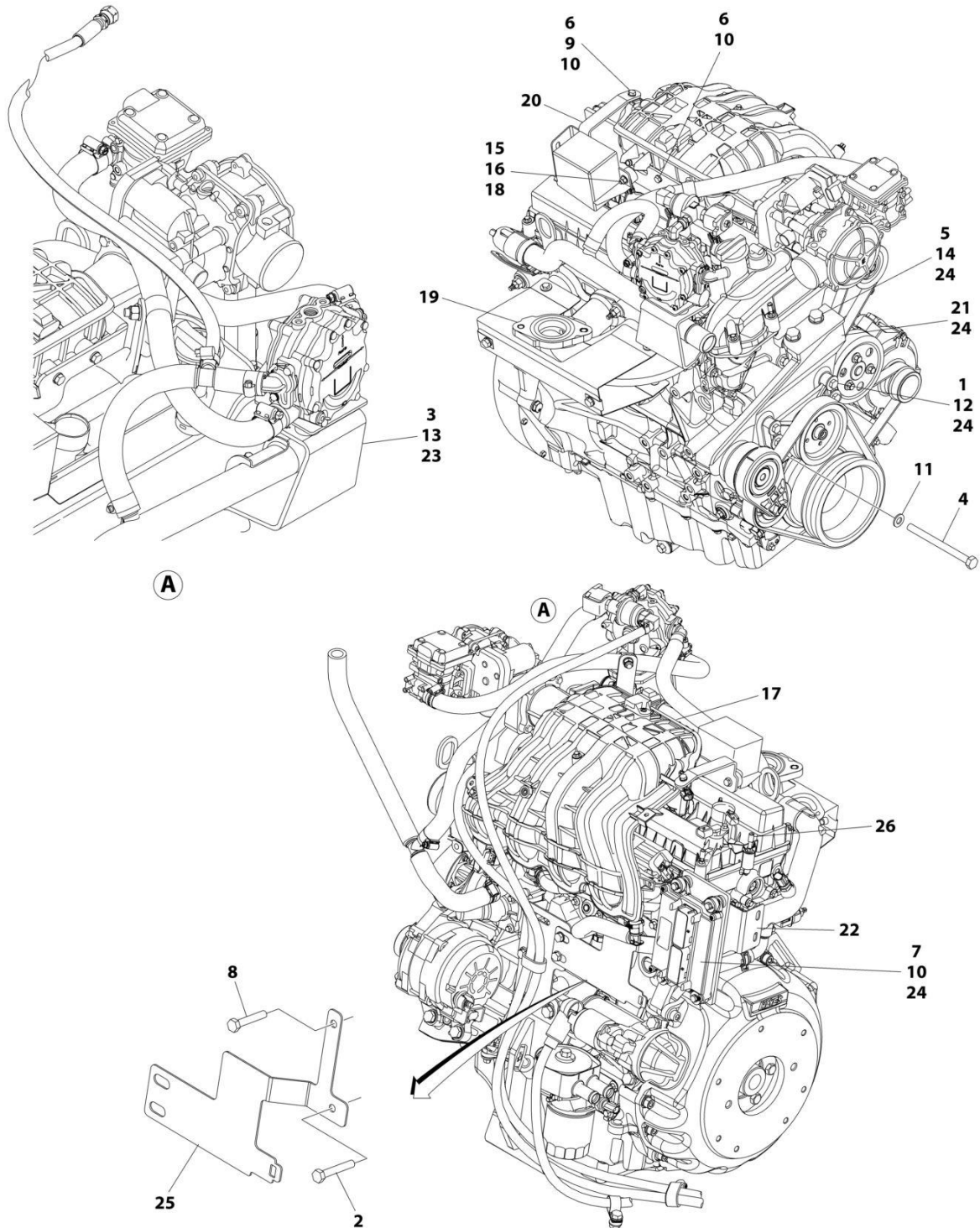
SECTION 3 - ENGINE

FIGURE 3-35. FORD ENGINE PREP ASSEMBLY

| ITEM | PART NUMBER | QTY | DESCRIPTION | REV |
|------|-------------|-----|---|-----|
| | 1001216910 | Ref | FORD ENGINE PREP ASSEMBLY | F |
| 1 | 0100011 | AR | Compound, Locking | |
| 3 | 0760605 | 4 | Bolt M6 x 10 | |
| 4 | 0760807 | 2 | Bolt M8 x 14 | |
| 11 | 4811702 | 4 | Washer M6 | |
| 12 | 4811900 | 2 | Washer M8 | |
| 13 | 5250605 | 3 | Bolt M6 x 10 | |
| 14 | 5260600 | 1 | Nut M6 Class 10 | |
| 19 | 1001211794 | 3 | Mount, Isolator | |
| 20 | 1001227769 | 1 | Plate | |
| 21 | 1001213810 | 1 | Pump Coupling Kit | |
| 21 | 70006134 | 1 | Coupling | |
| 21 | 70006135 | 1 | Housing | |
| 21 | 70006136 | 1 | Hardware Kit | |
| 22 | 1001216065 | 1 | Ford Engine Assembly (See Separate Breakdown in this Section) | |
| 24 | 1001216768 | 1 | Bracket | |
| 25 | 1001216769 | 1 | Bracket | |
| 28 | 1001149160 | 2 | Nut, Tinnerman M8 | |

SECTION 3 - ENGINE

FIGURE 3-36. FORD ENGINE BRACKETS AND EXHAUST MANIFOLD INSTALLATION



ART_1001216065

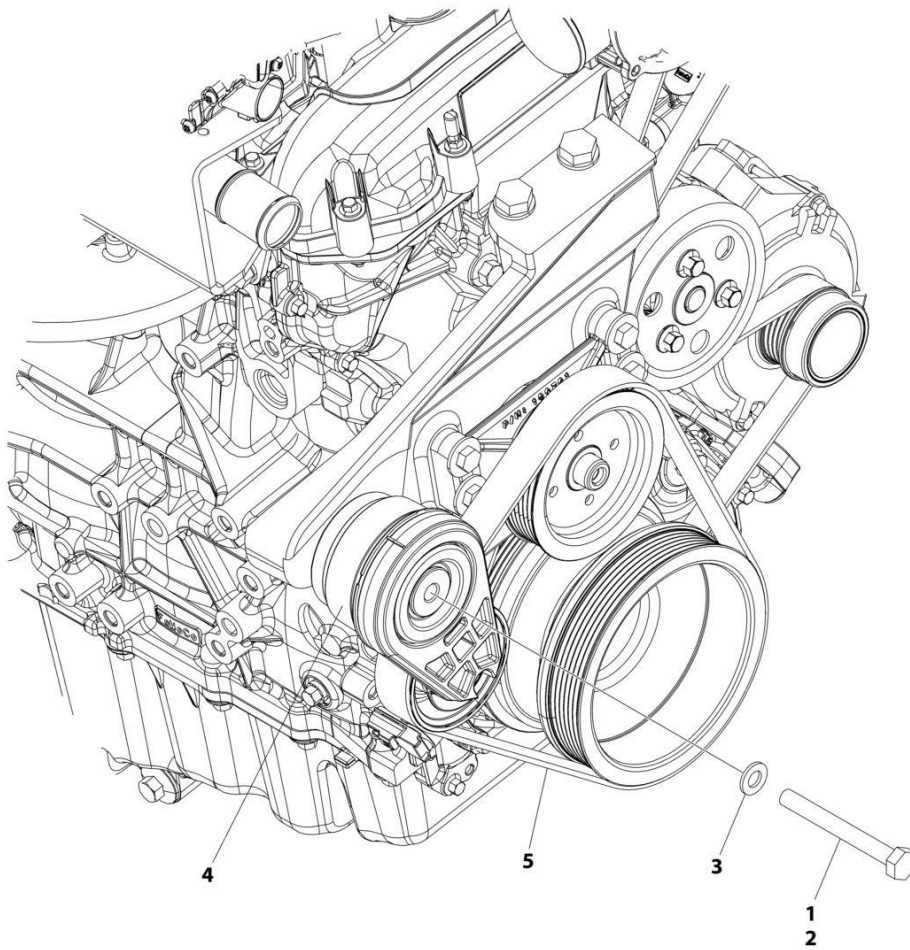
SECTION 3 - ENGINE

FIGURE 3-36. FORD ENGINE BRACKETS AND EXHAUST MANIFOLD INSTALLATION

| ITEM | PART NUMBER | QTY | DESCRIPTION | REV |
|------|-------------|-----|--|-----|
| | 1001216065 | Ref | FORD ENGINE ASSEMBLY - BRACKETS/EXHAUST MANIFOLD | K |
| 1 | 0700816 | 4 | Bolt M8 x 40 | |
| 2 | 0700818 | 1 | Bolt M8 x 50 | |
| 3 | 0701014 | 2 | Bolt M10 x 30 | |
| 4 | 0710827 | 1 | Bolt M8 x 100 Grade 10.9 | |
| 5 | 0711216 | 2 | Bolt M12 x 40 | |
| 6 | 0760610 | 3 | Bolt M6 x 20 | |
| 7 | 0760615 | 4 | Bolt M6 x 35 | |
| 8 | 0760817 | 1 | Bolt M8 x 45 | |
| 9 | 3290601 | 1 | Nut M6 | |
| 10 | 4811700 | 8 | Washer M6 | |
| 11 | 4811900 | 1 | Washer M8 | |
| 12 | 4811902 | 4 | Washer M8 | |
| 13 | 4812000 | 1 | Washer M10 | |
| 14 | 4812100 | 2 | Washer M12 | |
| 15 | 5250605 | 2 | Bolt M6 x 10 | |
| 16 | 5260600 | 2 | Nut M6 Class 10 | |
| 17 | 1001210448 | 1 | Engine, Ford 2.5L (See Separate Breakdown in this Section) | |
| 18 | 1001211794 | 2 | Mount | |
| 19 | 1001214827 | 1 | Manifold, Exhaust | |
| 20 | 1001215384 | 1 | Bracket | |
| 21 | 1001216071 | 1 | Bracket | |
| 22 | 1001216144 | 1 | Support, Muffler | |
| 23 | 1001227772 | 1 | Mount, Vaporizer | |
| 24 | 0100011 | AR | Compound, Locking | |
| 25 | 1001221545 | 1 | Plate | |
| 26 | 1001222641 | 6 | Cap | |

SECTION 3 - ENGINE

FIGURE 3-37. FORD ENGINE DRIVE BELT INSTALLATION (MACHINES WITHOUT GENERATOR)



ART_1001220404

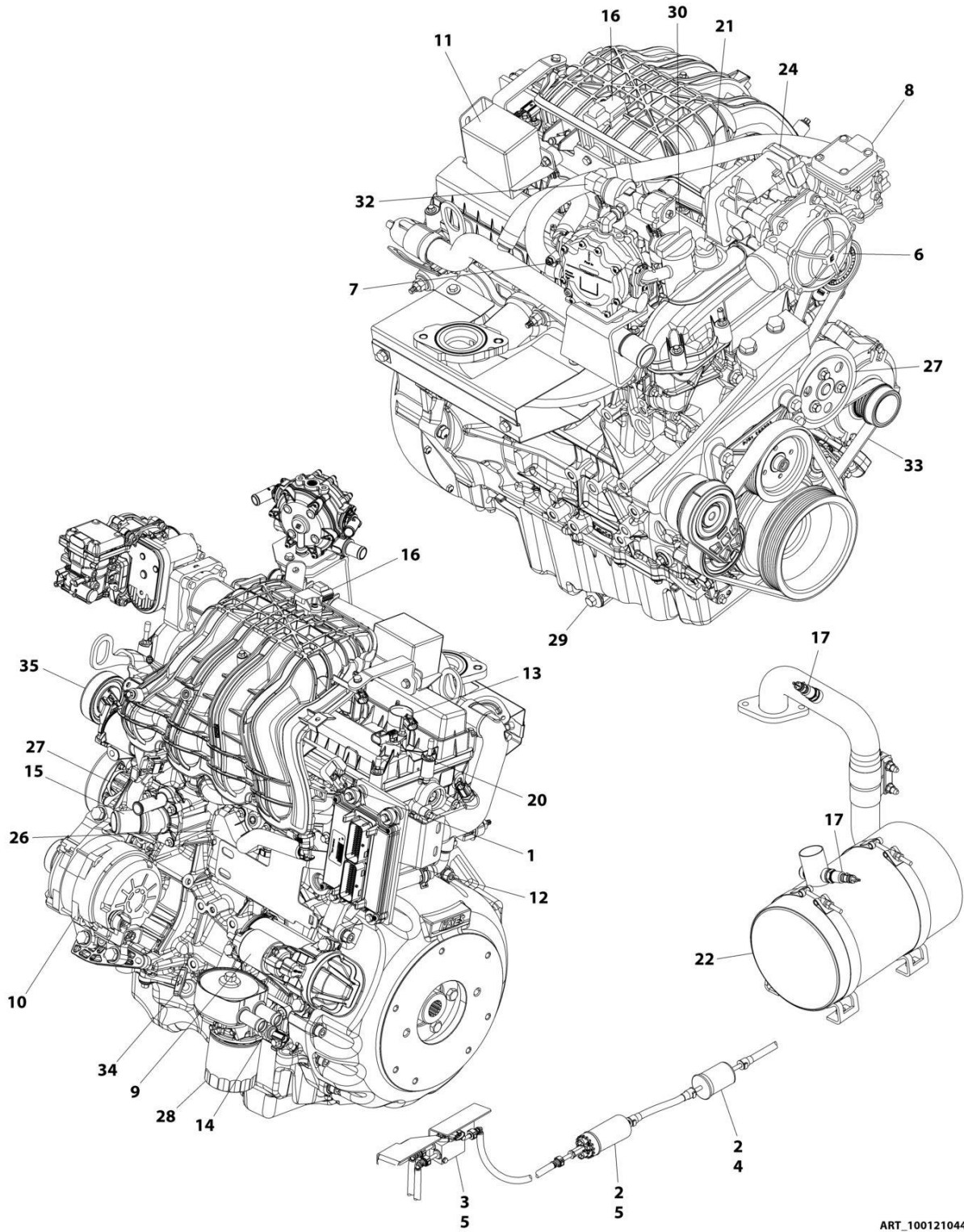
SECTION 3 - ENGINE

FIGURE 3-37. FORD ENGINE DRIVE BELT INSTALLATION (MACHINES WITHOUT GENERATOR)

| ITEM | PART NUMBER | QTY | DESCRIPTION | REV |
|------|-------------|-----|-------------------------|-----|
| | 1001220404 | Ref | DRIVE BELT INSTALLATION | C |
| 1 | 0100011 | AR | Compound, Locking | |
| 2 | 0701026 | 1 | Bolt M10 x 90 | |
| 3 | 4812002 | 1 | Washer M10 | |
| 4 | 1001216300 | 1 | Pulley | |
| 5 | 1001216619 | 1 | V-Belt | |

SECTION 3 - ENGINE

FIGURE 3-38. FORD ENGINE COMPONENTS



ART_1001210448

SECTION 3 - ENGINE

FIGURE 3-38. FORD ENGINE COMPONENTS

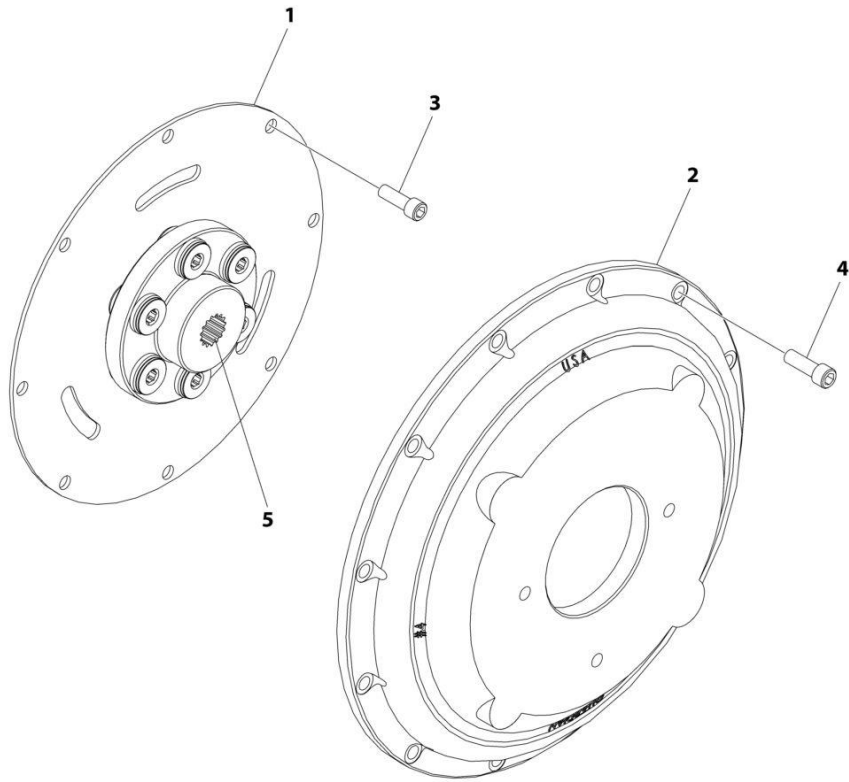
| ITEM | PART NUMBER | QTY | DESCRIPTION | REV |
|------|-------------|-----|--|-----|
| | 1001210448 | Ref | FORD ENGINE COMPONENTS | E |
| 1 | 70006145 | 4 | Injector, Fuel | |
| 1 | 70006147 | 1 | Rail, Fuel | |
| 2 | 70006150 | 1 | Pump, Fuel | |
| 2 | 70006154 | 1 | Fitting M10 | |
| 3 | 70006151 | 1 | Block, Fuel | |
| 3 | 70006152 | 2 | Fitting SAE6 | |
| 3 | 70006153 | 1 | Fitting SAE3 | |
| 3 | 70006189 | 1 | Harness, Fuel Block | |
| 4 | 70006155 | 1 | Filter, Fuel | |
| 5 | 7022162 | 8 | Clamp | |
| 5 | 70006157 | 8 | Clip, Fuel Quick Disconnect | |
| 6 | 70006158 | 1 | Mixer, LP | |
| 6 | 70006168 | 1 | Mixer Diaphragm Replacement Kit | |
| 6 | 70006159 | 1 | Adapter, Mixer to Governor | |
| 6 | 70006160 | 1 | O-Ring, Mixer to Adapter | |
| 6 | 70006161 | 1 | Seal, Mixer to Adapter | |
| 7 | 70006162 | 1 | Regulator, LP Vapor | |
| 7 | 70006166 | 2 | Fitting | |
| 7 | 70006167 | 1 | Fitting, Straight | |
| 7 | 70006165 | 2 | Isolator, Rubber | |
| 8 | 70006163 | 1 | Regulator, Direct Electronic Pressure | |
| 8 | 70006164 | 1 | Adapter, Fitting 90 | |
| 9 | 70006169 | 1 | Starter | |
| 9 | 70006233 | 1 | Harness, Alternator/Starter | |
| 10 | 70006170 | 1 | Alternator | |
| 11 | 70006173 | 1 | Cover, Relay Box | |
| 11 | 70006171 | 2 | Relay (Fuel Pump & Power) | |
| 11 | 70006172 | 1 | Relay (Starter) | |
| 11 | 70006175 | 1 | Fuse - 20Amp (Starter) | |
| 11 | 70006174 | 1 | Decal - Relay Box Cover | |
| 11 | 70006188 | 1 | Harness, Engine | |
| 11 | 70006165 | 2 | Isolator, Rubber | |
| 12 | 70006176 | 1 | Module - Engine Control Unit (ECU/GCP) | |
| 12 | 70006191 | 1 | Software & Diagnostic Cable | |
| 13 | 70006177 | 4 | Coil and Boot Assembly | |
| 13 | 70006178 | 4 | Plug, Spark | |
| 14 | 70006179 | 1 | Switch, Oil Pressure | |
| 15 | 70006180 | 1 | Sensor, Knock | |
| 16 | 70006181 | 1 | Sensor, TMAP | |
| 17 | 70006182 | 2 | Sensor, O2 | |
| 18 | 70006183 | 1 | Sensor, Coolant Temperature (Not Shown - Located Rear of Engine Block) | |
| 19 | 70006184 | 1 | Sensor, Crank Position (Not Shown - Located at Front RH Side of Block) | |
| 20 | 70006185 | 1 | Sensor, Cam Position | |
| 21 | 70006186 | 1 | Solenoid, Timing | |
| 21 | 70006187 | 1 | Grommet, Rubber | |
| 22 | 70006194 | 1 | Muffler | |
| 22 | 70006195 | 1 | Plug (Located at Muffler Outlet) | |

SECTION 3 - ENGINE

| ITEM | PART NUMBER | QTY | DESCRIPTION | REV |
|------|-------------|-----|--|-----|
| 23 | | Ref | Gasket Options (Not Shown) | |
| 23 | 70006196 | 1 | Gasket, Exhaust Manifold to Head | |
| 23 | 70006197 | 1 | Gasket, Exhaust Manifold Outlet | |
| 23 | 70006200 | 1 | Gasket, Intake Manifold to Head | |
| 23 | 70006219 | 1 | Gasket Set - Camshaft Cover | |
| 23 | 70006225 | 1 | Gasket, Cylinder Head | |
| 24 | 70006198 | 1 | Governor | |
| 24 | 7027404 | 1 | Gasket, Governor Actuator | |
| 24 | 70006199 | 1 | Gasket, Governor to Intake Manifold Adapter | |
| 25 | 70006203 | 1 | Flywheel (Not Shown) | |
| 26 | 70006205 | 1 | Thermostat (Includes Housing) | |
| 26 | 70006206 | 1 | Gasket, Water Inlet | |
| 27 | 70006207 | 1 | Pump, Water | |
| 27 | 70006208 | 1 | O-Ring, Water Pump | |
| 27 | See Note | NSS | Pulley, Water Pump (Note: Not Available for Purchase at This Time) | |
| 28 | 70006213 | 1 | Filter, Oil | |
| 29 | 70006215 | 1 | Plug, Oil Drain | |
| 29 | 70006217 | 1 | Gasket, Oil Drain Plug | |
| 30 | 70006221 | 1 | Cap, Oil Fill | |
| 31 | 70006232 | 1 | Sensor, Crank (Not Shown) | |
| 32 | 70006235 | 1 | Valve, Lock-Off (Includes Filter) | |
| 33 | 70006202 | 1 | Belt | |
| 34 | 70006236 | 1 | Dipstick | |
| 35 | 70007108 | 1 | Belt Tensioner | |

SECTION 3 - ENGINE

FIGURE 3-39. PUMP COUPLING KIT (DEUTZ ENGINES)



ART_1001153282

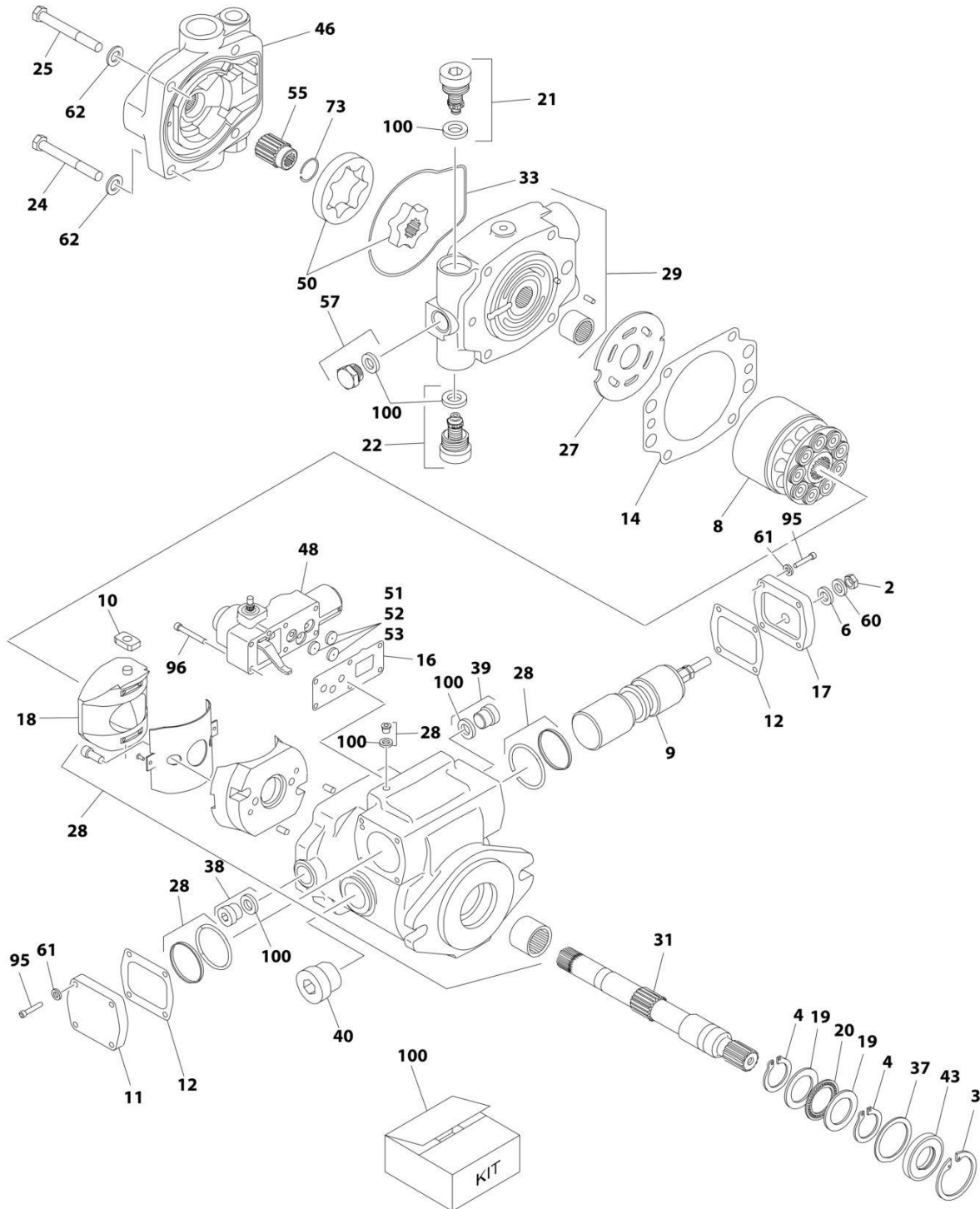
SECTION 3 - ENGINE

FIGURE 3-39. PUMP COUPLING KIT (DEUTZ ENGINES)

| ITEM | PART NUMBER | QTY | DESCRIPTION | REV |
|------|-------------|-----|---|-----|
| | 1001153282 | Ref | PUMP COUPLING KIT | E |
| 1 | 70004183 | 1 | Coupling Guardian | |
| 2 | See Note | NSS | Plate, Pump Adapter (Note: Use p/n 1001153282) | |
| 3 | See Note | 8 | Capscrew M10 x 20 Grade 10.9 (Note: Not Available - Purchase Locally or Purchase Kit) | |
| 4 | See Note | 12 | Capscrew M10 x 25 Grade 10.9 (Note: Not Available - Purchase Locally or Purchase Kit) | |
| 5 | 3020021 | AR | Grease, Coupling | |

SECTION 3 - ENGINE

FIGURE 3-40. HYDROSTATIC PUMP ASSEMBLY



ART_1001225745

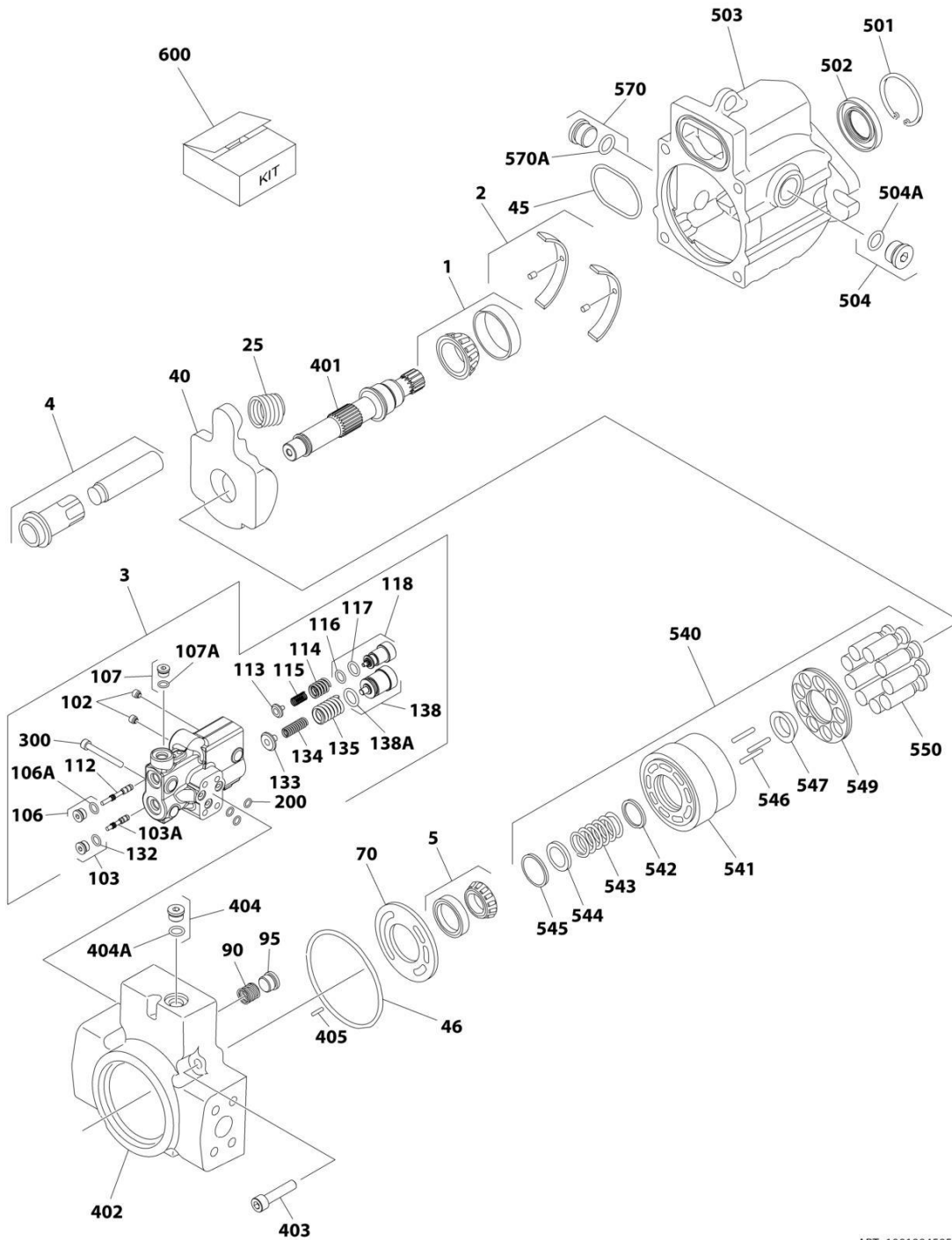
SECTION 3 - ENGINE

FIGURE 3-40. HYDROSTATIC PUMP ASSEMBLY

| ITEM | PART NUMBER | QTY | DESCRIPTION | REV |
|------|-------------|-----|--|-----|
| | 1001225745 | Ref | HYDROSTATIC PUMP ASSEMBLY | A |
| 2 | 70004329 | 1 | Nut | |
| 3 | See Note | NSS | Ring, Retaining (Note: Use Item 100) | |
| 4 | See Note | NSS | Ring, Retaining (Note: Use Item 100) | |
| 6 | See Note | NSS | Washer, Seal (Note: Use Item 100) | |
| 8 | 70004331 | 1 | Cylinder Block Assembly | |
| 9 | 70004332 | 1 | Servo Piston Assembly | |
| 10 | 70004333 | 1 | Follower, Servo Piston | |
| 11 | 70005458 | 1 | Cover | |
| 12 | See Note | NSS | Gasket, Cover (Note: Use Item 100) | |
| 14 | See Note | NSS | Gasket, Housing (Note: Use Item 100) | |
| 16 | See Note | NSS | Gasket, Control Housing (Note: Use Item 100) | |
| 17 | 70005459 | 1 | Cover | |
| 18 | 70004336 | 1 | Camplate Assembly | |
| 19 | 7004907 | 2 | Race, Thrust | |
| 20 | 7004908 | 1 | Bearing, Thrust | |
| 21 | 70004337 | 1 | Relief Valve Assembly | |
| 22 | 70004337 | 1 | Relief Valve Assembly | |
| 24 | 70004338 | 2 | Capscrew | |
| 25 | 70004338 | 2 | Capscrew | |
| 27 | 70004340 | 1 | Plate, Valve | |
| 28 | See Note | NSS | Housing (Note: Not Available - Purchase Assembly) | |
| 29 | 70005460 | 1 | End Cover Assembly | |
| 31 | 70004342 | 1 | Shaft, Drive | |
| 33 | See Note | NSS | O-Ring (Note: Use Item 100) | |
| 37 | 7004906 | 1 | Washer | |
| 38 | 70005461 | 1 | Plug | |
| 39 | 70005461 | 1 | Plug | |
| 40 | 70005462 | 1 | Plug | |
| 43 | See Note | NSS | Seal, Shaft (Note: Use Item 100) | |
| 46 | 70004343 | 1 | Adapter, Charge Pump | |
| 48 | 70004344 | 1 | Servo Control Assembly | |
| 50 | 70004345 | 1 | Gerotor | |
| 51 | 70004346 | 1 | Orifice | |
| 52 | 70004346 | 1 | Orifice | |
| 53 | 70004346 | 1 | Orifice | |
| 55 | 70004347 | 1 | Coupler | |
| 57 | 70005463 | 1 | Plug | |
| 60 | 70004348 | 1 | Washer | |
| 61 | 70004349 | 8 | Washer | |
| 62 | 70004350 | 4 | Washer | |
| 73 | 70004351 | 1 | Ring, Retaining | |
| 95 | 70005464 | 8 | Capscrew | |
| 96 | 70005465 | 6 | Capscrew | |
| 100 | 70004352 | 1 | Seal Kit - Pump (Includes Items 3, 4, 6, 12, 14, 16, 33 & 43 and Valve and Plug O-Rings and Seals) | |

SECTION 3 - ENGINE

FIGURE 3-41. VARIABLE PUMP ASSEMBLY



ART_1001094595

SECTION 3 - ENGINE

FIGURE 3-41. VARIABLE PUMP ASSEMBLY

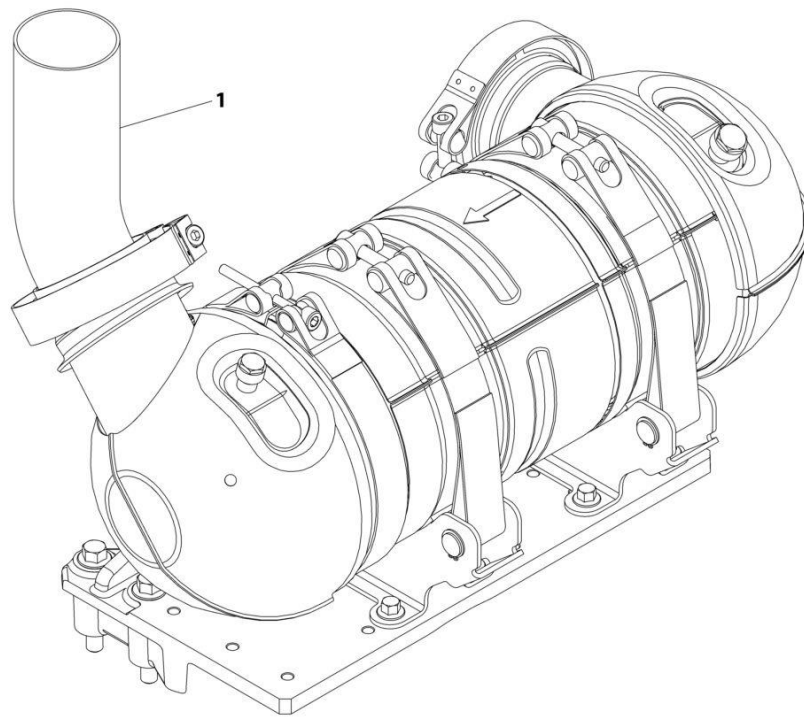
| ITEM | PART NUMBER | QTY | DESCRIPTION | REV |
|------|-------------|-----|--|-----|
| | 1001094595 | Ref | VARIABLE PUMP ASSEMBLY | A |
| 1 | 7023947 | 1 | Bearing, Front (Includes Cup and Cone) | |
| 2 | 7023948 | 1 | Bearings, Swash Plate (Includes Both Sides and Pins) | |
| 3 | 7023956 | 1 | Control Valve Assembly (Includes Items 102-300) | |
| 4 | 7023949 | 1 | Servo Piston Assembly | |
| 5 | 7023950 | 1 | Bearing, Rear (Includes Cup and Cone) | |
| 25 | 7023951 | 1 | Spring | |
| 40 | 7023952 | 1 | Swash Plate | |
| 45 | See Note | NSS | O-Ring (Note: Use Item 600) | |
| 46 | See Note | NSS | O-Ring (Note: Use Item 600) | |
| 70 | 70001954 | 1 | Plate, Valve | |
| 90 | 70001955 | 1 | Spring, Check Valve | |
| 95 | 70001956 | 1 | Poppet, Check Valve | |
| 102 | See Note | NSS | Setscrew (Note: Use Item 3) | |
| 103 | See Note | NSS | Plug (Note: Use Item 3) | |
| 103A | See Note | NSS | O-Ring (Note: Use Item 600) | |
| 106 | See Note | NSS | Plug (Note: Use Item 3) | |
| 106A | See Note | NSS | O-Ring (Note: Use Item 600) | |
| 107 | See Note | NSS | Plug (Note: Use Item 3) | |
| 107A | See Note | NSS | O-Ring (Note: Use Item 600) | |
| 112 | See Note | NSS | Spool, Control (Note: Use Item 3) | |
| 113 | See Note | NSS | Guide, Spring (Note: Use Item 3) | |
| 114 | See Note | NSS | Spring (Note: Use Item 3) | |
| 115 | See Note | NSS | Spring (Note: Use Item 3) | |
| 116 | See Note | NSS | O-Ring (Note: Use Item 600) | |
| 117 | See Note | NSS | Ring, Back-up (Note: Use Item 600) | |
| 118 | See Note | NSS | Plug, Adjusting (Note: Use Item 3) | |
| 132 | See Note | NSS | Spool, Control (Note: Use Item 3) | |
| 133 | See Note | NSS | Guide, Spring (Note: Use Item 3) | |
| 134 | See Note | NSS | Spring (Note: Use Item 3) | |
| 135 | See Note | NSS | Spring (Note: Use Item 3) | |
| 138 | See Note | NSS | Plug, PC Adjusting (Note: Use Item 3) | |
| 138A | See Note | NSS | O-Ring (Note: Use Item 600) | |
| 200 | See Note | NSS | Ring, Seal (Note: Use Item 600) | |
| 300 | 7023957 | 4 | Screw | |
| 401 | 7023958 | 1 | Shaft | |
| 402 | 70001957 | 1 | Cap, End | |
| 403 | 7023960 | 4 | Screw | |
| 404 | 7022318 | 1 | Plug | |
| 404A | See Note | NSS | O-Ring (Note: Use Item 600) | |
| 405 | 7023961 | 1 | Pin | |
| 501 | 7023962 | 1 | Ring, Retaining | |
| 502 | See Note | NSS | Seal, Lip (Note: Use Item 600) | |
| 503 | See Note | NSS | Housing (Note: Not Available - Purchase Assembly) | |
| 504 | 7023964 | 1 | Plug | |
| 504A | 7007415 | 1 | O-Ring | |
| 540 | 7023965 | 1 | Cylinder Block Assembly | |
| 541 | See Note | NSS | Block, Cylinder (Note: Use Item 540) | |
| 542 | 7024868 | 1 | Washer | |
| 543 | 7024867 | 1 | Spring | |

SECTION 3 - ENGINE

| ITEM | PART NUMBER | QTY | DESCRIPTION | REV |
|------|-------------|-----|--|-----|
| 544 | 7022314 | 1 | Retainer, Spring | |
| 545 | 7022311 | 1 | Ring, Retaining | |
| 546 | 7021275 | 3 | Pin, Slipper | |
| 547 | 7024864 | 1 | Guide, Slipper | |
| 549 | 7024866 | 1 | Retainer, Slipper | |
| 550 | 7023966 | 9 | Piston Assembly | |
| 570 | 7023964 | 1 | Plug | |
| 570A | 7007415 | 1 | O-Ring | |
| 600 | 7023967 | 1 | Seal Kit - Complete (Includes Items 45 , 46, 103A, 106A, 107A, 118, 138A, 200, 444A & 502) | |

SECTION 3 - ENGINE

FIGURE 3-42. EXHAUST PIPE INSTALLATION - DEUTZ TD2.9L4 ENGINES



ART_1001216220

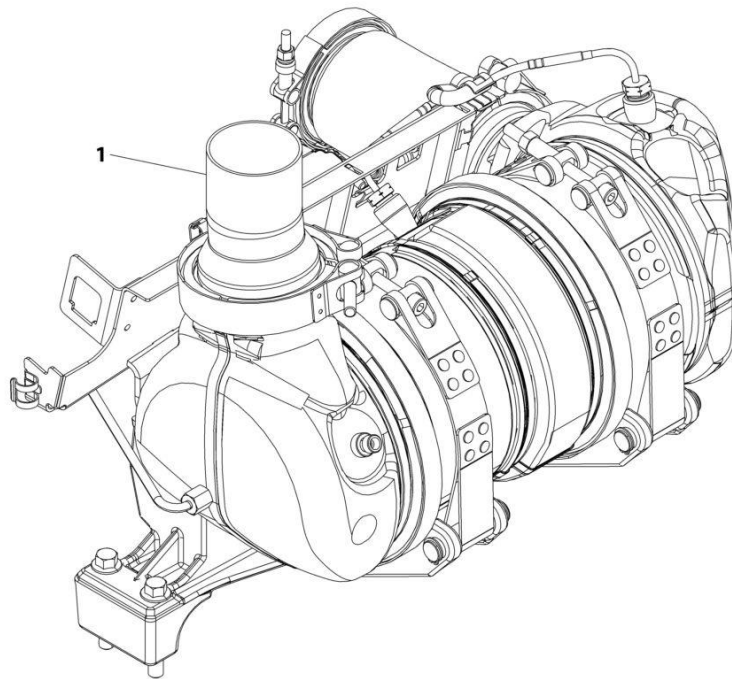
SECTION 3 - ENGINE

FIGURE 3-42. EXHAUST PIPE INSTALLATION - DEUTZ TD2.9L4 ENGINES

| ITEM | PART NUMBER | QTY | DESCRIPTION | REV |
|------|-------------|-----|---------------------------|-----|
| 1 | 1001216220 | Ref | EXHAUST PIPE INSTALLATION | A |
| | 1001149908 | 1 | Pipe, Exhaust | |

SECTION 3 - ENGINE

FIGURE 3-43. EXHAUST PIPE INSTALLATION - DEUTZ TD2.9L4 (STAGE V) ENGINES



ART_1001236334

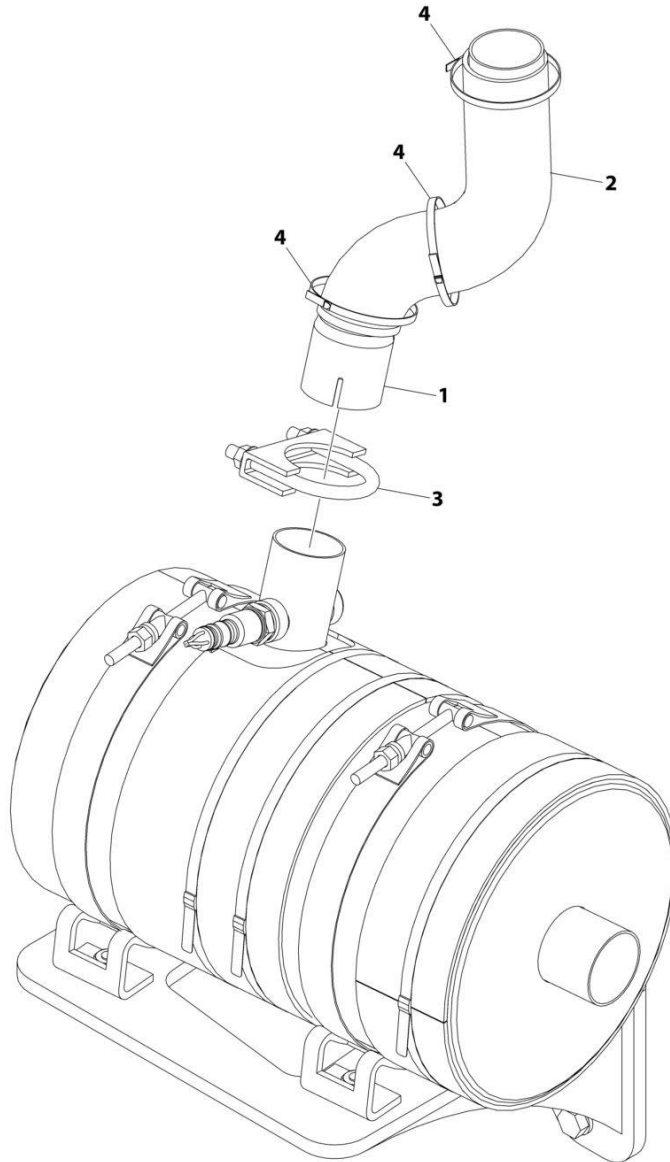
SECTION 3 - ENGINE

FIGURE 3-43. EXHAUST PIPE INSTALLATION - DEUTZ TD2.9L4 (STAGE V) ENGINES

| ITEM | PART NUMBER | QTY | DESCRIPTION | REV |
|------|-------------|-----|---------------------------|-----|
| 1 | 1001236334 | Ref | EXHAUST PIPE INSTALLATION | B |
| | 1001236335 | 1 | Pipe, Exhaust | |

SECTION 3 - ENGINE

FIGURE 3-44. EXHAUST PIPE INSTALLATION - FORD ENGINES



ART_1001220141

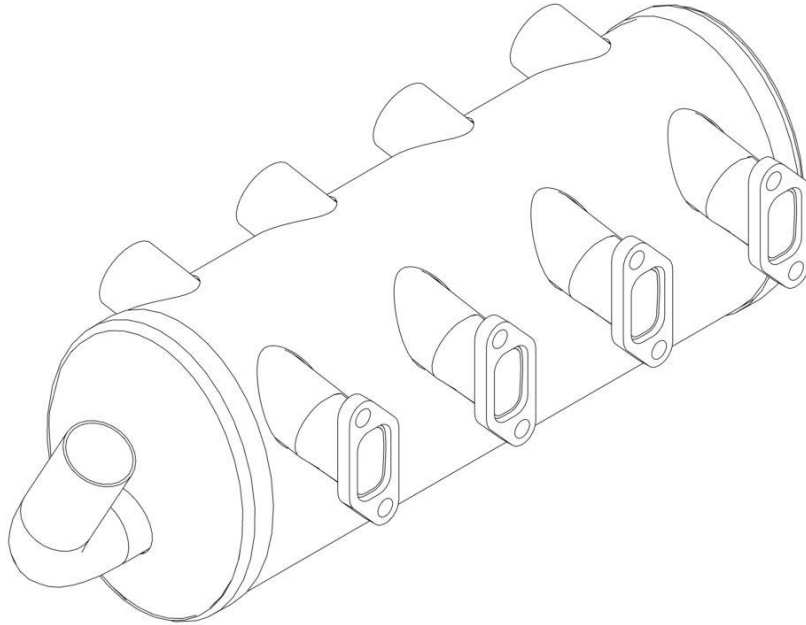
SECTION 3 - ENGINE

FIGURE 3-44. EXHAUST PIPE INSTALLATION - FORD ENGINES

| ITEM | PART NUMBER | QTY | DESCRIPTION | REV |
|------|-------------|-----|-------------------------------|-----|
| | 1001220141 | Ref | EXHAUST PIPE INSTALIATION | B |
| 1 | 1001217478 | 1 | Tail Pipe | |
| 1 | 1001217477 | 1 | Tail Pipe with Spark Arrestor | |
| 2 | 1001218089 | 1 | Insulate | |
| 3 | 1001221397 | 1 | Clamp | |
| 4 | 1001100825 | 3 | Strap | |

SECTION 3 - ENGINE

FIGURE 3-45. SPARK ARRESTOR MUFFLER INSTALLATION - DEUTZ D2011 ENGINES



ART_1001257283

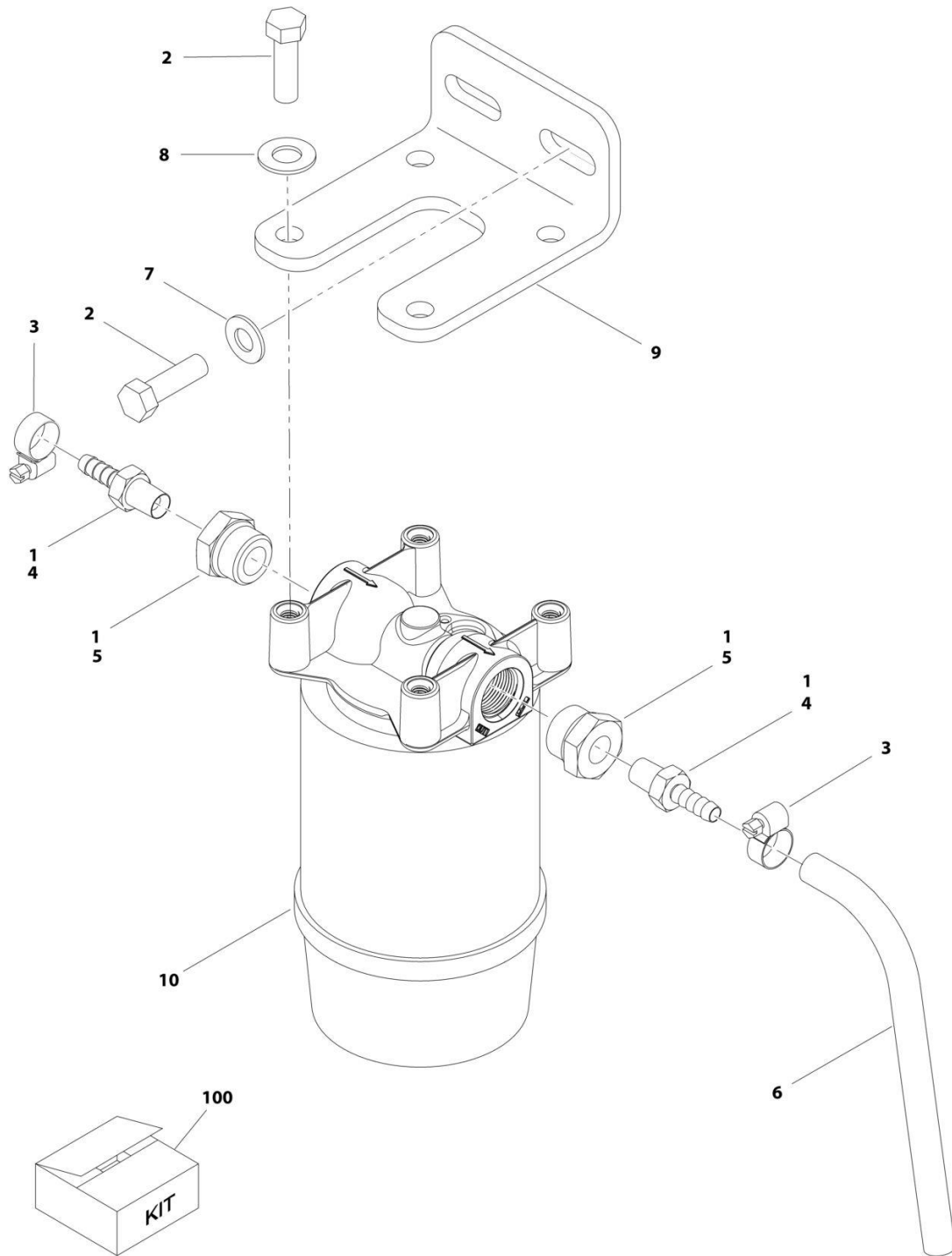
SECTION 3 - ENGINE

FIGURE 3-45. SPARK ARRESTOR MUFFLER INSTALLATION - DEUTZ D2011 ENGINES

| ITEM | PART NUMBER | QTY | DESCRIPTION | REV |
|------|-------------|-----|-------------------------------------|-----|
| | 1001257283 | Ref | MUFFLER INSTALLATION SPARK ARRESTOR | A |
| | See Note | 1 | Muffler, (Note: Use P/N 1001257283) | |

SECTION 3 - ENGINE

FIGURE 3-46. FUEL-WATER SEPARATOR INSTALLATION - DEUTZ D2011 ENGINES



ART_1001199733

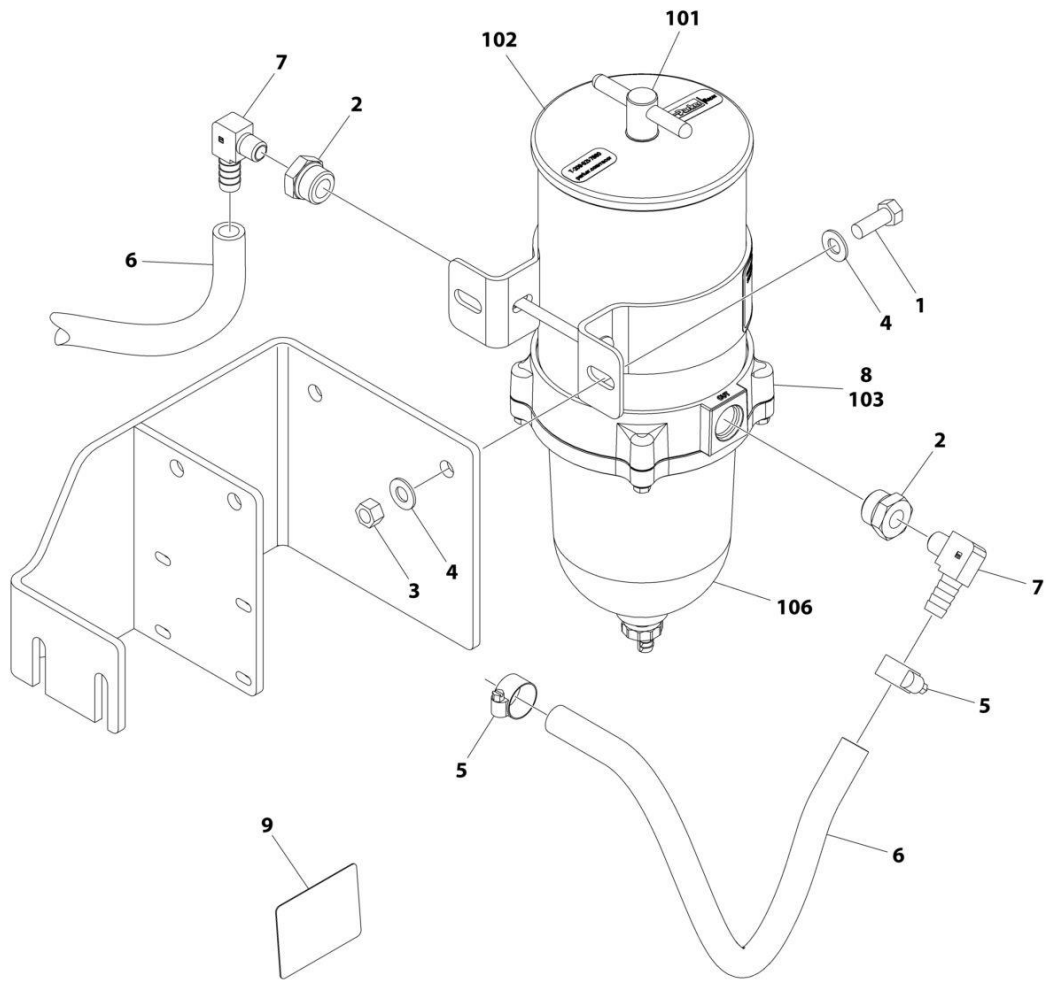
SECTION 3 - ENGINE

FIGURE 3-46. FUEL-WATER SEPARATOR INSTALLATION - DEUTZ D2011 ENGINES

| ITEM | PART NUMBER | QTY | DESCRIPTION | REV |
|------|-------------|----------------|---|-----|
| | 1001199733 | Ref | FUEL-WATER SEPARATOR INSTALLATION - DEUTZ TD2011 (OPTIONAL) | A |
| 1 | 0100079 | 1 | Sealant | |
| 2 | 0641610 | 6 | Bolt 3/8 X 1-1/4 | |
| 3 | 1320022 | 2 | Clamp | |
| 4 | 2180348 | 2 | Fitting, Straight | |
| 5 | 2220816 | 2 | Fitting, Straight | |
| 6 | 2720058 | 35 in/ 89cm | Hose | |
| 7 | 4711600 | 2 | Washer 3/8 | |
| 8 | 4711700 | 4 | Washer 7/16 | |
| 9 | 1001188884 | 1 | Bracket | |
| 10 | 1001188887 | 1 | Fuel/Water Separator Assembly | |
| 10 | 1001202280 | 1 | Head | |
| 10 | 1001202281 | 1 | Element | |
| 100 | 1001204667 | 1 | Water/Separator Add-On Kit | |

SECTION 3 - ENGINE

FIGURE 3-47. FUEL-WATER SEPARATOR INSTALLATION - DEUTZ TD2.9L4 ENGINES



NOTE : LOCATED ON HOOD

ART_1001230032

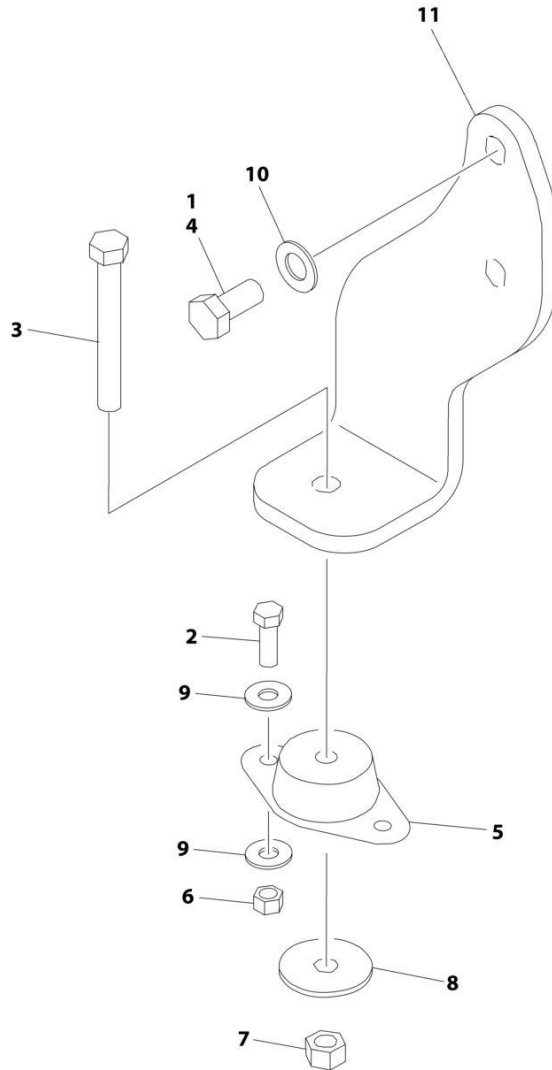
SECTION 3 - ENGINE

FIGURE 3-47. FUEL-WATER SEPARATOR INSTALLATION - DEUTZ TD2.9L4 ENGINES

| ITEM | PART NUMBER | QTY | DESCRIPTION | REV |
|------|-------------|-----------------|--|-----|
| | 1001230032 | Ref | FUEL FILTER INSTALLATION | A |
| 1 | 0641608 | 2 | Bolt 3/8 x 1 | |
| 2 | 2220816 | 2 | Fitting, Straight NPT | |
| 3 | 3311605 | 2 | Nut 3/8 | |
| 4 | 4711600 | 4 | Washer 3/8 | |
| 5 | 8405006 | 2 | Clamp | |
| 6 | 1001154405 | 54 in/ 1.65m | Hose | |
| 7 | 1001178797 | 2 | Fitting, 90 | |
| 8 | 1001222817 | 1 | Fuel Filter Assembly (See Items 101-107 for Breakdown) | |
| 9 | 1001226923 | 1 | Decal - Fuel Water Separator | |
| | 1001222817 | Ref | FUEL FILTER ASSEMBLY | |
| 101 | 70006403 | 1 | T-Handle Kit (Includes O-Ring) | |
| 102 | 70006404 | 1 | Lid Kit (Includes Gasket) | |
| 103 | 70006405 | 1 | Element | |
| 104 | 70006406 | 1 | Checkball & Gasket Kit (Not Shown) | |
| 105 | 70006407 | 1 | Centrifuge and Baffle Kit (Not Shown) | |
| 106 | 70006409 | 1 | Bowl Kit (Includes Gasket, O-Ring and Drain) | |
| 106 | 70006408 | 1 | Gasket, Bowl | |
| 107 | 70006410 | 1 | Bowl Ring Kit (Includes Gasket & Hardware) (Not Shown) | |

SECTION 3 - ENGINE

FIGURE 3-48. RIGHT ENGINE SUPPORT INSTALLATION (DEUTZ D2011 ENGINES MACHINES WITHOUT GENERATORS)



ART_1001151253

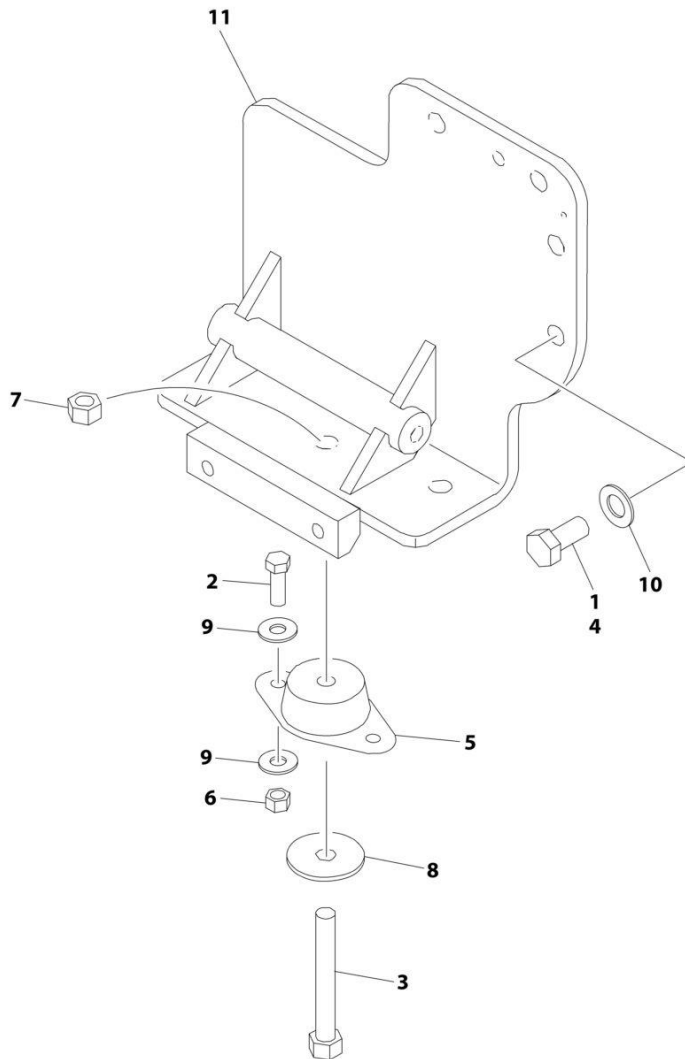
SECTION 3 - ENGINE

FIGURE 3-48. RIGHT ENGINE SUPPORT INSTALLATION (DEUTZ D2011 ENGINES MACHINES WITHOUT GENERATORS)

| ITEM | PART NUMBER | QTY | DESCRIPTION | REV |
|------|-------------|-----|-----------------------------------|-----|
| | 1001151253 | Ref | RIGHT ENGINE SUPPORT INSTALLATION | A |
| 1 | 0100011 | AR | Compound, Locking | |
| 2 | 0641609 | 2 | Bolt 3/8 x 1-1/8 | |
| 3 | 0641820 | 1 | Bolt 1/2 x 2-1/2 | |
| 4 | 0711414 | 2 | Bolt M14 x 30 Grade 10.9 | |
| 5 | 3200401 | 1 | Mount, Motor | |
| 6 | 3311605 | 2 | Nut 3/8 | |
| 7 | 3311805 | 1 | Nut 1/2 | |
| 8 | 4740274 | 1 | Washer | |
| 9 | 4751600 | 4 | Washer 3/8 | |
| 10 | 4812200 | 2 | Washer M14 | |
| 11 | 1001149703 | 1 | Support, Engine (Right Front) | |

SECTION 3 - ENGINE

FIGURE 3-49. RIGHT ENGINE SUPPORT INSTALLATION (DEUTZ D2011 ENGINES MACHINES WITH GENERATORS)



ART_1001151252

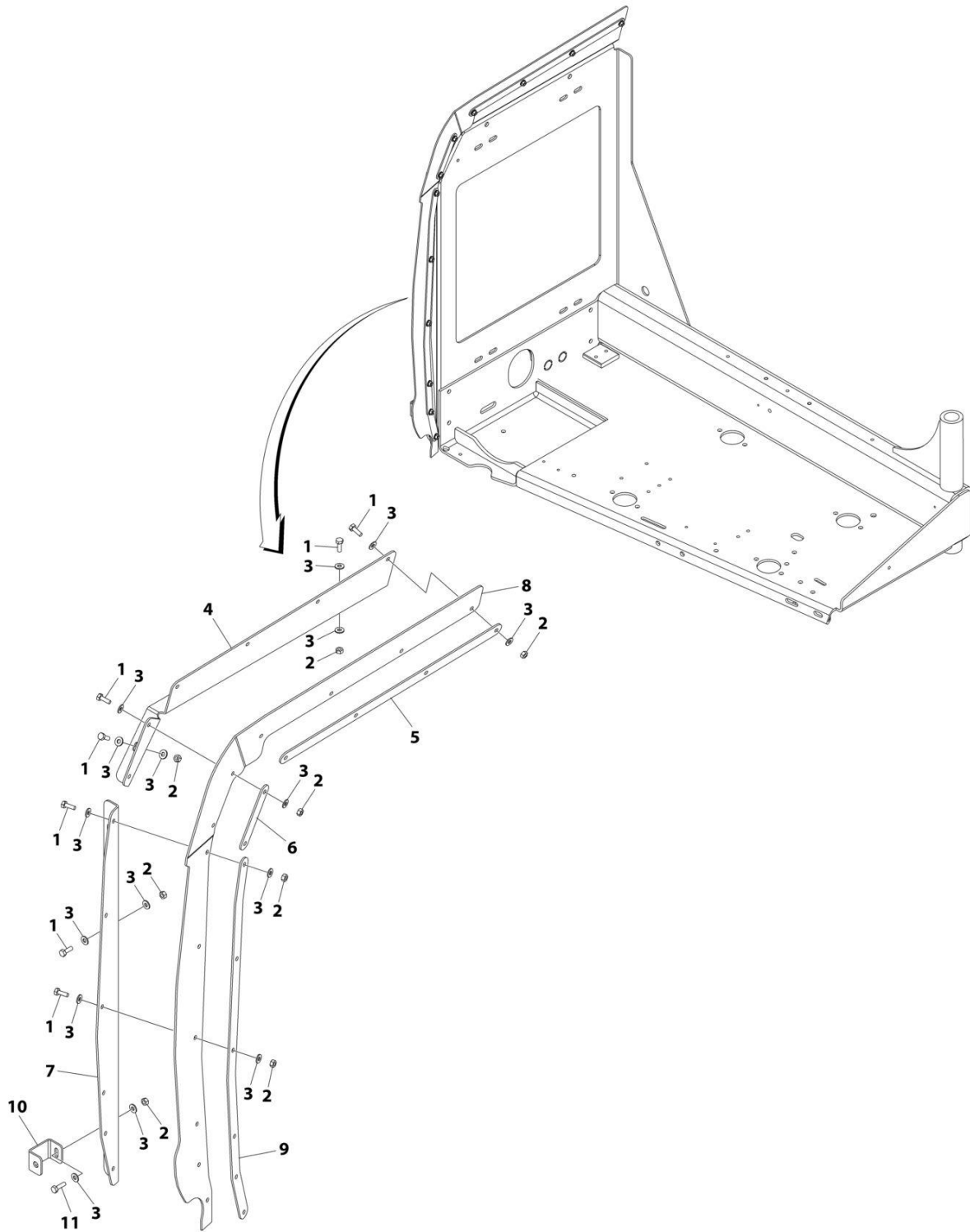
SECTION 3 - ENGINE

FIGURE 3-49. RIGHT ENGINE SUPPORT INSTALLATION (DEUTZ D2011 ENGINES MACHINES WITH GENERATORS)

| ITEM | PART NUMBER | QTY | DESCRIPTION | REV |
|------|-------------|-----|-----------------------------------|-----|
| | 1001151252 | Ref | RIGHT ENGINE SUPPORT INSTALLATION | B |
| 1 | 0100011 | AR | Compound, Locking | |
| 2 | 0641609 | 2 | Bolt 3/8 x 1-1/8 | |
| 3 | 0641818 | 1 | Bolt 1/2 x 2-1/2 | |
| 4 | 0711414 | 3 | Bolt M14 x 30 Grade 10.9 | |
| 5 | 3200401 | 1 | Mount, Motor | |
| 6 | 3311605 | 2 | Nut 3/8 | |
| 7 | 3311805 | 1 | Nut 1/2 | |
| 8 | 4740274 | 1 | Washer | |
| 9 | 4751600 | 4 | Washer 3/8 | |
| 10 | 4812200 | 3 | Washer M14 | |
| 11 | 1001150890 | 1 | Support, Engine (Right Front) | |

SECTION 3 - ENGINE

FIGURE 3-50. ENGINE HOOD Baffle INSTALLATION - DEUTZ TD2.9L4 ENGINES AND DEUTZ TD2.9L4 (STAGE V) ENGINES WITH ABS HOODS



ART_1001143484

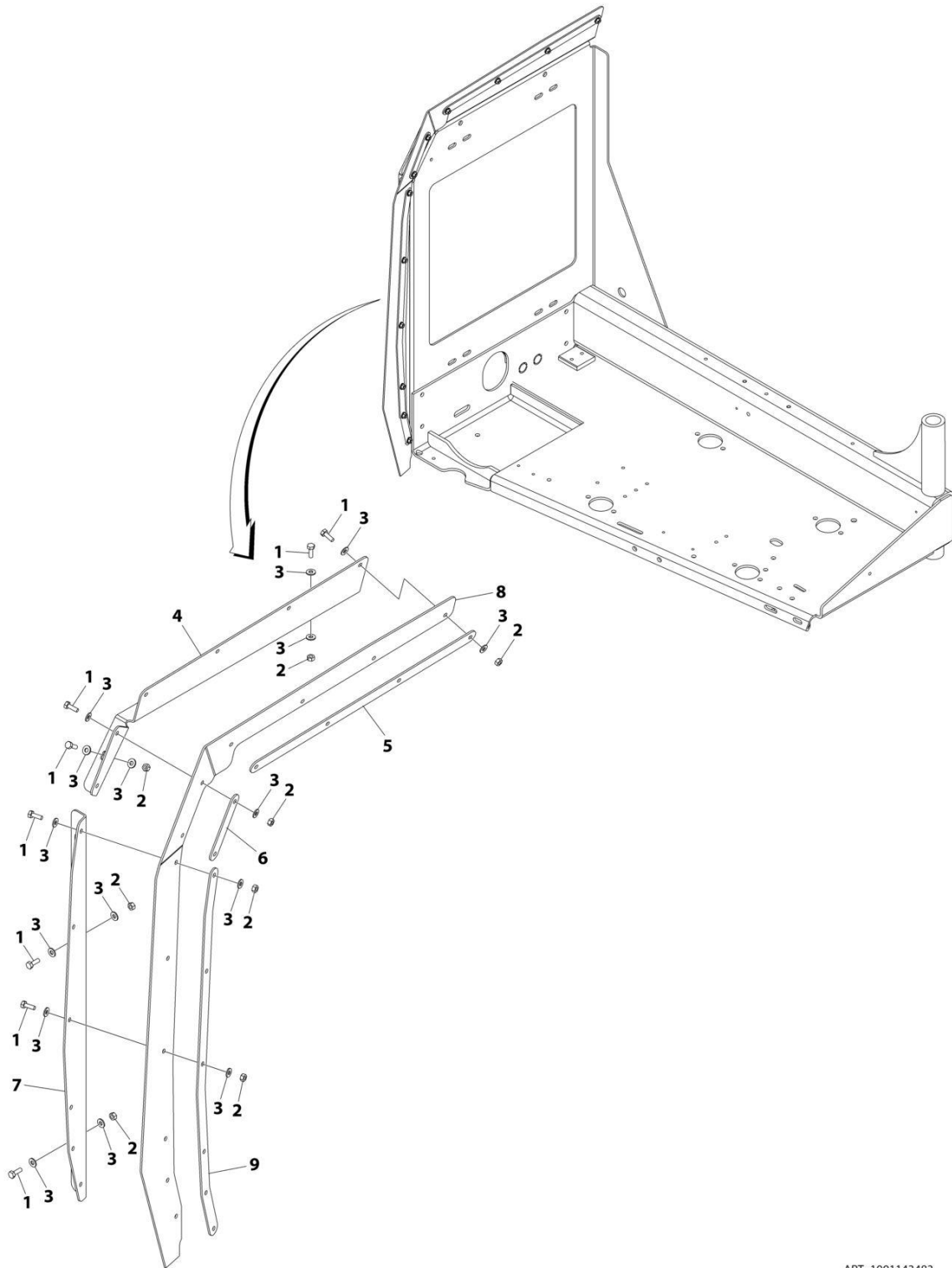
SECTION 3 - ENGINE

FIGURE 3-50. ENGINE HOOD BAFFLE INSTALLATION - DEUTZ TD2.9L4 ENGINES AND DEUTZ TD2.9L4 (STAGE V) ENGINES WITH ABS HOODS

| ITEM | PART NUMBER | QTY | DESCRIPTION | REV |
|------|-------------|-----|----------------------------------|-----|
| | 1001143484 | Ref | BAFFLES INSTALLATION (ABS HOODS) | C |
| 1 | 0641406 | 18 | Bolt 1/4 x 3/4 | |
| 2 | 3311405 | 19 | Nut 1/4 | |
| 3 | 4711400 | 38 | Washer 1/4 | |
| 4 | 1001174745 | 1 | Bracket | |
| 5 | 1001142031 | 1 | Bracket | |
| 6 | 1001142032 | 1 | Bracket | |
| 7 | 1001143449 | 1 | Bracket | |
| 8 | 1001195967 | 1 | Baffle | |
| 9 | 1001143525 | 1 | Bracket | |
| 10 | 1001143860 | 1 | Bracket, Bumper | |
| 11 | 0641407 | 1 | Bolt 1/4 x 78 | |

SECTION 3 - ENGINE

FIGURE 3-51. ENGINE HOOD Baffle INSTALLATION - DEUTZ TD2.9L4 ENGINES WITH STEEL HOODS



ART_1001143483

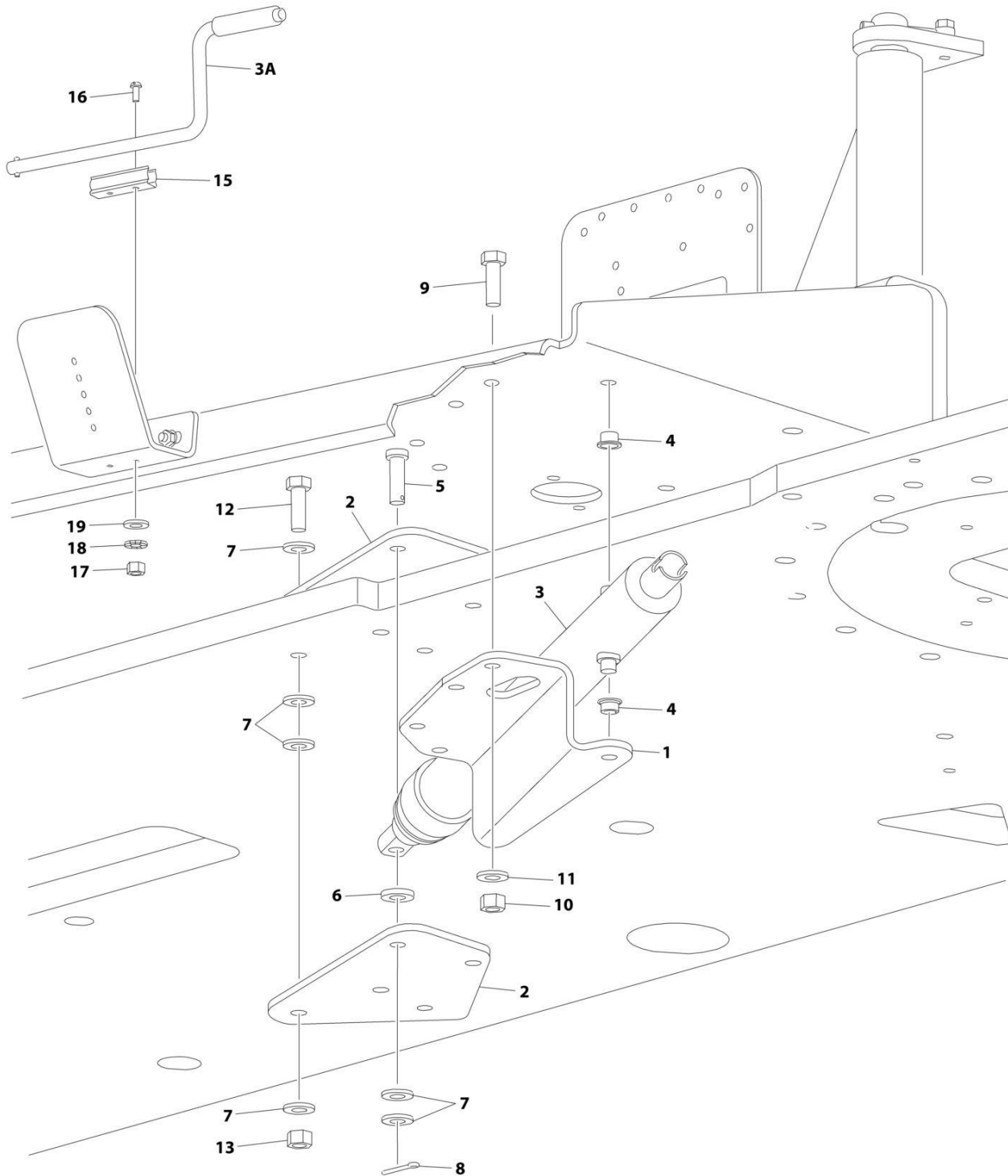
SECTION 3 - ENGINE

FIGURE 3-51. ENGINE HOOD Baffle INSTALLATION - DEUTZ TD2.9L4 ENGINES WITH STEEL HOODS

| ITEM | PART NUMBER | QTY | DESCRIPTION | REV |
|------|-------------|-----|------------------------------------|-----|
| | 1001143483 | Ref | BAFFLES INSTALLATION (STEEL HOODS) | B |
| 1 | 0641406 | 19 | Bolt 1/4 x 3/4 | |
| 2 | 3311405 | 19 | Nut 1/4 | |
| 3 | 4711400 | 38 | Washer 1/4 | |
| 4 | 1001174745 | 1 | Bracket | |
| 5 | 1001142031 | 1 | Bracket | |
| 6 | 1001142032 | 1 | Bracket | |
| 7 | 1001143449 | 1 | Bracket | |
| 8 | 1001174746 | 1 | Baffle | |
| 9 | 1001143525 | 1 | Bracket | |

SECTION 3 - ENGINE

FIGURE 3-52. ENGINE TRAY JACK INSTALLATION - DEUTZ ENGINES



ART_0258728

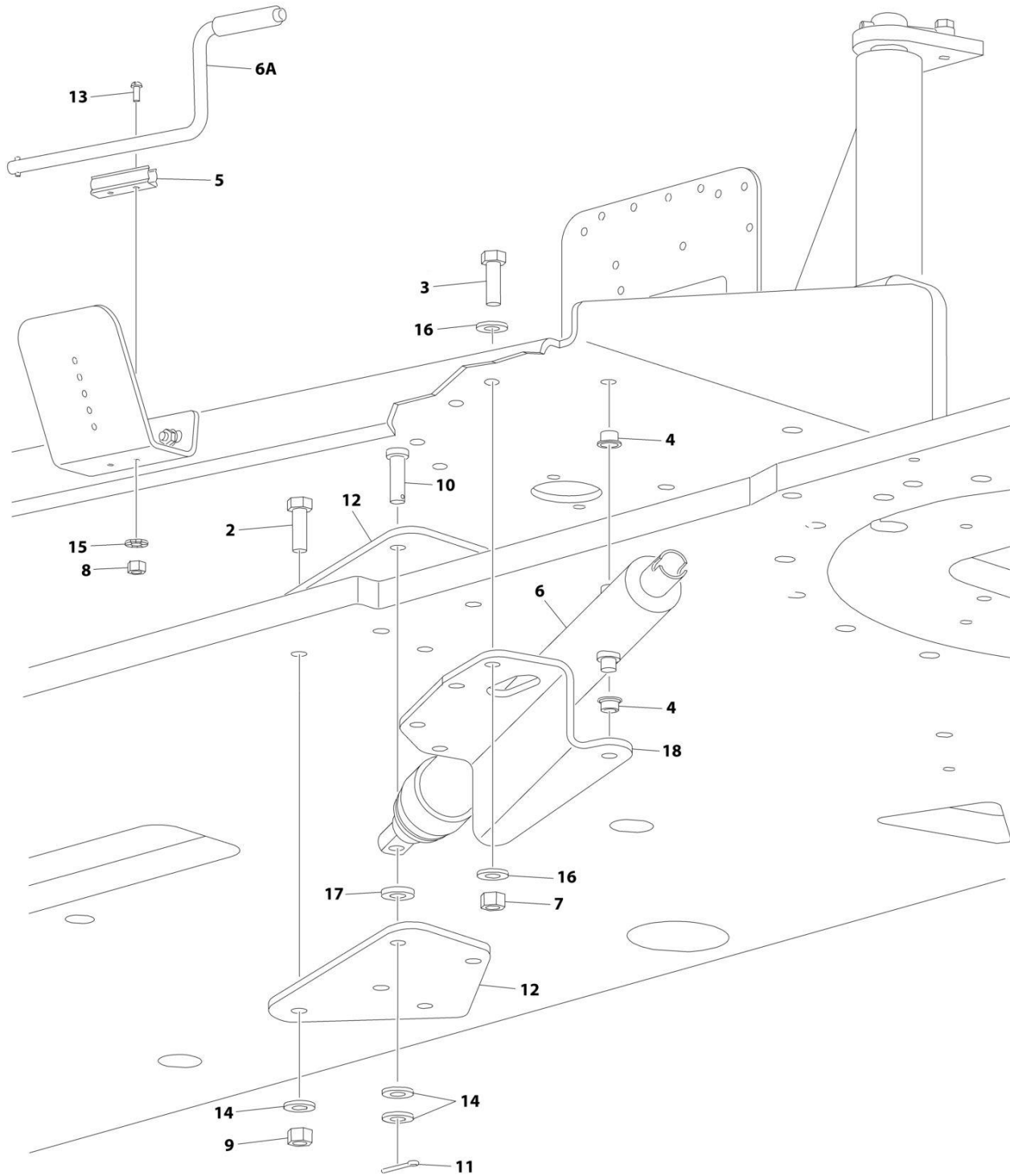
SECTION 3 - ENGINE

FIGURE 3-52. ENGINE TRAY JACK INSTALLATION - DEUTZ ENGINES

| ITEM | PART NUMBER | QTY | DESCRIPTION | REV |
|------|-------------|-----|-------------------------------|-----|
| | 0258728 | Ref | ENGINE TRAY JACK INSTALLATION | 2-C |
| 1 | 3537445 | 1 | Bracket | |
| 2 | 3537446 | 2 | Bracket | |
| 3 | 2840016 | 1 | Jack and Handle Assembly | F |
| 3A | 7024598 | 1 | Handle | |
| 4 | 0962051 | 2 | Bearing, Flange | |
| 5 | 3430816 | 1 | Pin, Clevis | |
| 6 | 4891800 | 1 | Washer 1/2 | |
| 7 | 4711800 | 6 | Washer 1/2 | |
| 8 | 3450404 | 1 | Pin, Cotter 1/8 x 1 | |
| 9 | 0641609 | 4 | Bolt 3/8 x 1-1/8 | |
| 10 | 3311605 | 4 | Nut 3/8 | |
| 11 | 4891600 | 4 | Washer 3/8 | |
| 12 | 0641818 | 4 | Bolt 1/2 x 2-1/4 | |
| 13 | 3311805 | 4 | Nut 1/2 | |
| 15 | 1380147 | 1 | Clip, Spring | |
| 16 | 3910608 | 2 | Screw #6 x 1 | |
| 17 | 3310601 | 2 | Nut #6 | |
| 18 | 4770600 | 2 | Washer #6 | |
| 19 | 4740119 | 2 | Washer | |

SECTION 3 - ENGINE

FIGURE 3-53. ENGINE TRAY JACK INSTALLATION - FORD ENGINES



ART_1001219881

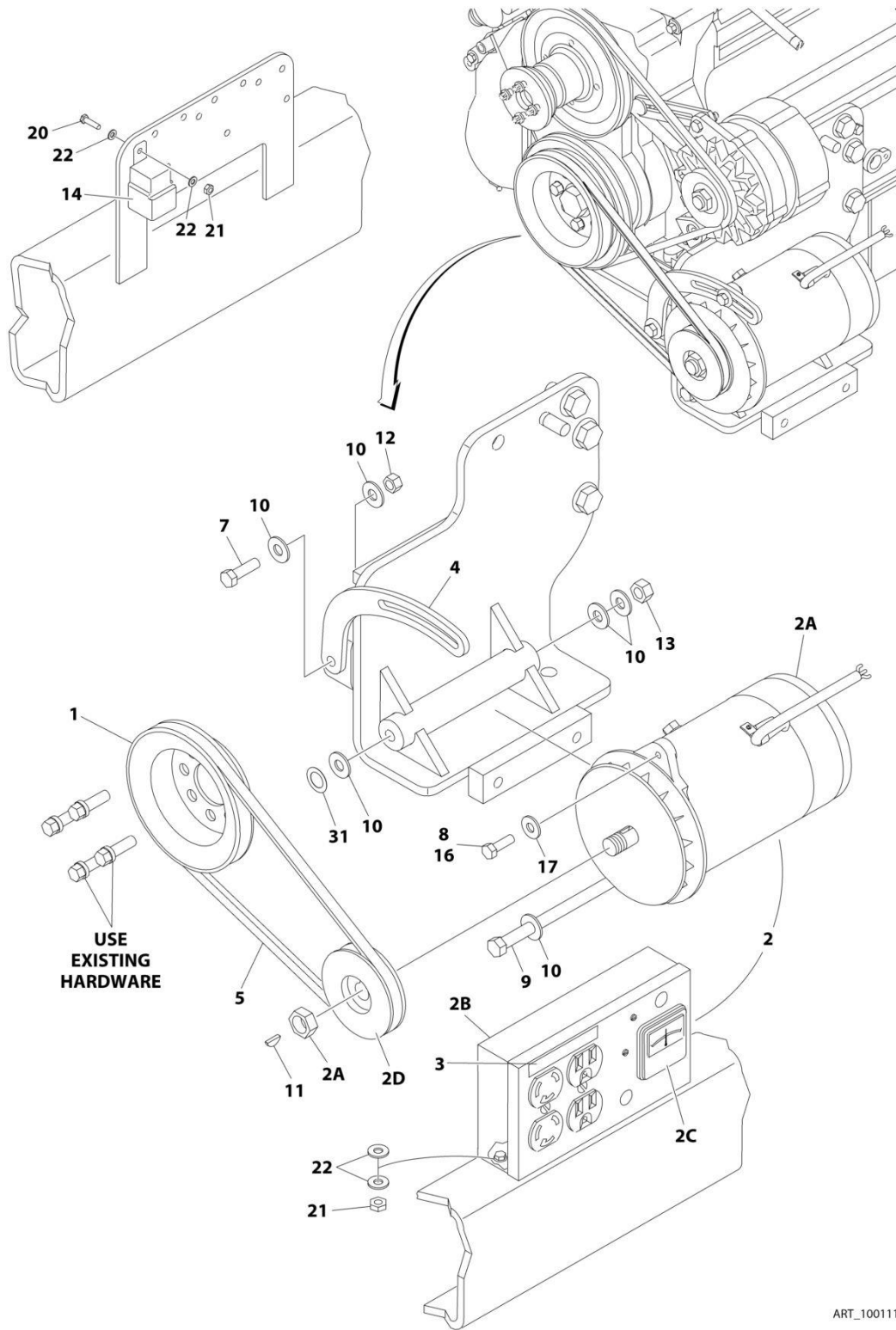
SECTION 3 - ENGINE

FIGURE 3-53. ENGINE TRAY JACK INSTALLATION - FORD ENGINES

| ITEM | PART NUMBER | QTY | DESCRIPTION | REV |
|------|-------------|-----|-------------------------------|-----|
| | 1001219881 | Ref | ENGINE TRAY JACK INSTALLATION | B |
| 2 | 0641818 | 4 | Bolt 1/2 x 2-1/4 | |
| 3 | 0761014 | 3 | Bolt M10 x 30 | |
| 4 | 0962051 | 2 | Bearing, Flange | |
| 5 | 1380147 | 1 | Clip, Spring | |
| 6 | 2840016 | 1 | Jack and Handle Assembly | F |
| 6A | 7024598 | 1 | Handle | |
| 7 | 3291007 | 3 | Nut M10 | |
| 8 | 3310601 | 2 | Nut #6-32 | |
| 9 | 3311805 | 4 | Nut 1/2-13 | |
| 10 | 3430816 | 1 | Pin, Clevis | |
| 11 | 3450404 | 1 | Pin, Cotter 1/8 x 1 | |
| 12 | 3537446 | 2 | Bracket | |
| 13 | 3910608 | 2 | Screw #6-32 x 1 | |
| 14 | 4711800 | 6 | Washer 1/2 | |
| 15 | 4770600 | 2 | Washer #6 | |
| 16 | 4812000 | 6 | Washer M10 | |
| 17 | 4891800 | 1 | Washer 1/2 | |
| 18 | 1001218547 | 1 | Bracket | |

SECTION 3 - ENGINE

FIGURE 3-54. 2500W/110V/60HZ GENERATOR INSTALLATION - DEUTZ D2011 ENGINES



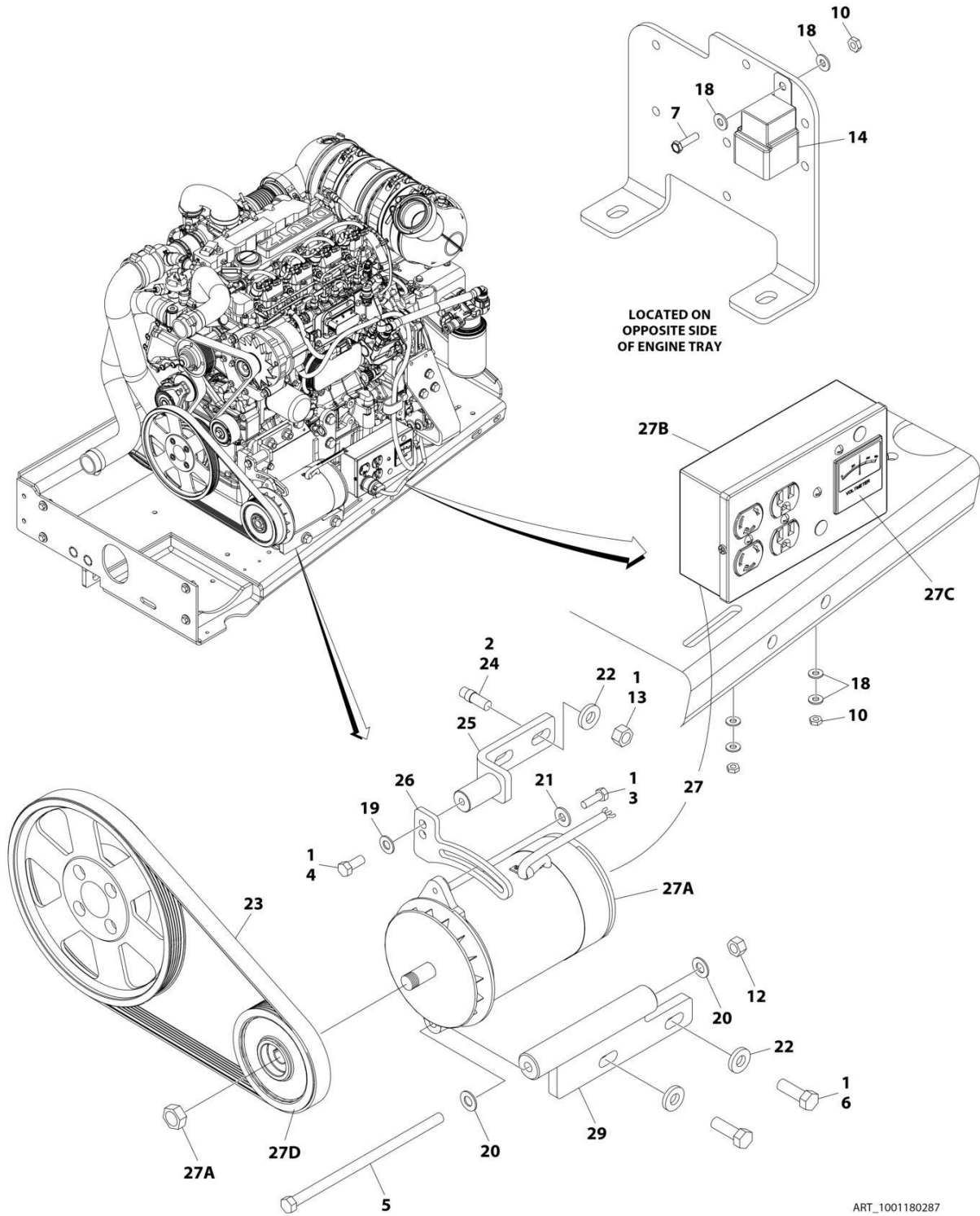
SECTION 3 - ENGINE

FIGURE 3-54. 2500W/110V/60HZ GENERATOR INSTALLATION - DEUTZ D2011 ENGINES

| ITEM | PART NUMBER | QTY | DESCRIPTION | REV |
|------|-------------|------------|---|-----|
| | 1001115405 | Ref | 2500W GENERATOR INSTALLATION - 110V/60Hz | B |
| 1 | 3580158 | 1 | Pulley | |
| 2 | 2460055 | 1 | Generator and Control Box Assembly: | |
| 2A | 7012558 | 1 | Generator Only - 110V/60Hz | |
| 2A | | Ref | Note: Replacement Generators come standard with p/n 3580134 pulley. This pulley may not be correct for all applications. Refer to pulley options below. | |
| 2A | 7026199 | 1 | Armature with Slip Rings | |
| 2A | 7012513 | 4 | Cap, Brush Holder | |
| 2A | 7020108 | 4 | Brush | |
| 2A | 7020109 | 4 | Holder, Brush | |
| 2A | 7012514 | 1 | Fan | |
| 2A | 7020110 | 1 | Bell, Front | |
| 2A | 7020111 | 1 | Bell, Rear | |
| 2A | 7020190 | 1 | Bearing | |
| 2B | 7019680 | 1 | Box, Control | |
| 2B | | Ref | Receptacle Options: | |
| 2B | 4460190 | 1 | Receptacle, Standard | |
| 2B | 4460027 | 1 | Receptacle, Twistlock | |
| 2B | 4360542 | 1 | Breaker, Circuit: | |
| 2B | 3520028 | 1 | Plug, Hole | |
| 2C | 2420203 | 1 | Voltmeter | |
| 2D | 3580276 | 1 | Pulley | |
| 2D | 7027887 | 1 | Key, Woodruff | |
| 3 | 3251243 | 1 | Decal - 110V/60Hz | |
| 4 | 0200742 | 1 | Arm, Adjusting | |
| 5 | 0480121 | 1 | V-Belt | |
| 7 | 0641610 | 1 | Bolt 3/8 x 1-1/4 | |
| 8 | 0100011 | AR | Compound, Locking | |
| 9 | 0641772 | 1 | Bolt 7/16 x 9 | |
| 10 | 4751600 | 6 | Washer 3/8 | |
| 11 | 2860012 | 1 | Key, Woodruff | |
| 12 | 3311605 | 1 | Nut 3/8 | |
| 13 | 3311705 | 1 | Nut 7/16 | |
| 14 | 3740080 | 1 | Relay | |
| 16 | 0641508 | 1 | Bolt 5/16 x 1 | |
| 17 | 4751500 | AR | Washer 5/16 | |
| 18 | 1001112588 | 1 | Wiring Diagram Components (Not Shown) | |
| 18 | 1001112589 | 1 | Generator Harness (Not Shown) | |
| 18 | 4922641 | 1 | Generator ON/OFF Switch Harness (Not Shown - Located at Platform) | |
| 20 | 0721006 | AR | Bolt #10 x 3/4 | |
| 21 | 3311005 | 3 | Nut #10 | |
| 22 | 4751000 | AR | Washer #10 | |
| 25 | 4360336 | 1 | Switch, Toggle (Not Shown - Located at Platform) | |
| 26 | 4740397 | 1 | Bushing (Not Shown - Located at Platform) | |
| 27 | 4060802 | 1 | Guard, Switch (Not Shown - Located at Platform) | |
| 29 | 2820031 | 4 in/ 10cm | Heat Shrink (Not Shown - Located at Platform) | |
| 30 | 3251102 | 1 | Decal (Not Shown - Located at Platform) | |
| 31 | 4070585 | AR | Shim | |

SECTION 3 - ENGINE

FIGURE 3-55. 2500W/110V/60HZ GENERATOR INSTALLATION - DEUTZ TD2.9L4 ENGINES



ART_1001180287

SECTION 3 - ENGINE

FIGURE 3-55. 2500W/110V/60HZ GENERATOR INSTALLATION - DEUTZ TD2.9L4 ENGINES

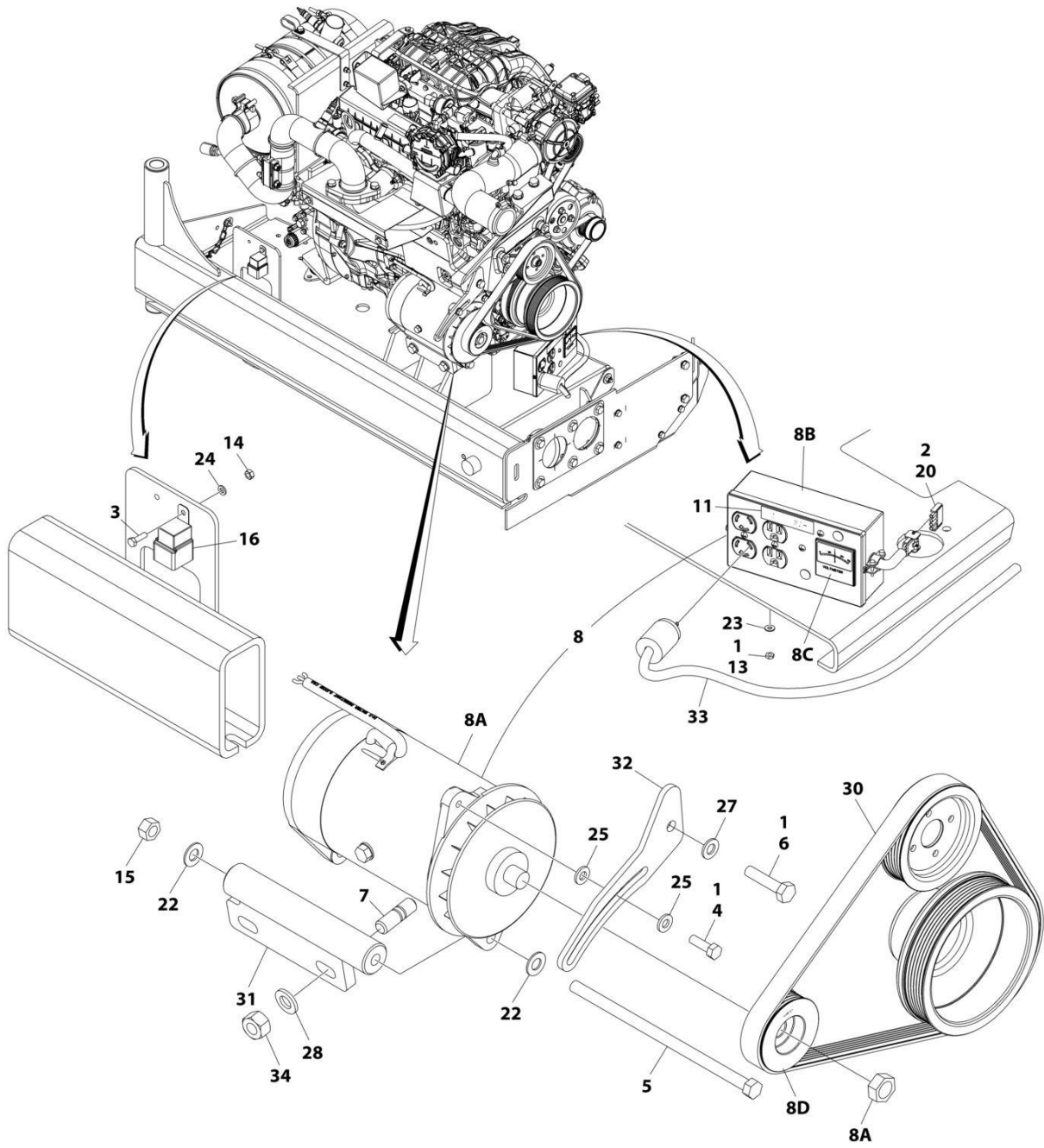
| ITEM | PART NUMBER | QTY | DESCRIPTION | REV |
|------|-------------|-----|---|-----|
| | 1001180287 | Ref | 2500W GENERATOR INSTALLATION - DEUTZ TD2.9L4 (OPTIONAL) | C |
| 1 | 0100011 | AR | Compound, Locking | |
| 2 | 0100019 | AR | Compound, Locking | |
| 3 | 0641508 | 1 | Bolt 5/16 x 1 | |
| 4 | 0641607 | 1 | Bolt 3/8 x 7/8 | |
| 5 | 0641772 | 1 | Bolt 7/16 x 9 | |
| 6 | 0641812 | 2 | Bolt 1/2 x 1-1/2 | |
| 7 | 0721006 | 1 | Screw #10 x 3/4 | |
| 8 | 2820031 | AR | Heat Shrink (Not Shown - Located at Platform) | |
| 9 | 3251102 | 1 | Name Plate - Generator On (Not Shown - Located at Platform) | |
| 10 | 3311005 | 3 | Nut #10 | |
| 12 | 3311705 | 1 | Nut 7/16 | |
| 13 | 3311801 | 2 | Nut 1/2 | |
| 14 | 3740080 | 1 | Relay | |
| 15 | 4060802 | 1 | Guard, Switch (Not Shown - Located at Platform) | |
| 16 | 4240018 | AR | Strap, Cable Tie (Not Shown) | |
| 17 | 4360336 | 1 | Switch, Toggle (Not Shown - Located at Platform) | |
| 18 | 4711000 | 6 | Washer #10 | |
| 19 | 4711600 | 1 | Washer 3/8 | |
| 20 | 4711700 | 2 | Washer 7/16 | |
| 21 | 4751500 | 1 | Washer 5/16 | |
| 22 | 4891800 | 4 | Washer 1/2 | |
| 23 | 1001148138 | 1 | V-Belt | |
| 24 | 1001163599 | 2 | Stud | |
| 25 | 1001216015 | 1 | Bracket | |
| 26 | 1001179837 | 1 | Arm, Adjustment | |
| 27 | 1001180001 | 1 | Generator and Control Box Assembly | |
| 27A | 7012558 | 1 | Generator Only - 110V/60Hz | |
| 27A | | Ref | Note: Replacement Generators come standard with p/n 3580134 pulley. This pulley may not be correct for all applications. Refer to pulley options below. | |
| 27A | 7026199 | 1 | Armature with Slip Rings | |
| 27A | 7012513 | 4 | Cap, Brush Holder | |
| 27A | 7020108 | 4 | Brush | |
| 27A | 7020109 | 4 | Holder, Brush | |
| 27A | 7012514 | 1 | Fan | |
| 27A | 7020110 | 1 | Bell, Front | |
| 27A | 7020111 | 1 | Bell, Rear | |
| 27A | 7020190 | 2 | Bearing | |
| 27B | 7019680 | 1 | Box, Control - 110V/60Hz | |
| 27B | | Ref | Receptacle Options: | |
| 27B | 4460190 | 1 | Receptacle, Standard (110V Only) | |
| 27B | 4460027 | 1 | Receptacle, Twistlock (110V Only) | |
| 27B | 4360542 | 1 | Breaker, Circuit | |
| 27B | 3520028 | 1 | Plug, Hole | |
| 27C | 2420203 | 1 | Voltmeter | |
| 27D | 3580276 | 1 | Pulley | |
| 27D | 7027887 | 1 | Key, Woodruff | |
| 28 | | Ref | Wiring Diagram Components (Not Shown) | |

SECTION 3 - ENGINE

| ITEM | PART NUMBER | QTY | DESCRIPTION | REV |
|------|-------------|-----|---|-----|
| 28 | 4922641 | 1 | Generator On/Off Switch Harness (Not Shown - Located at Platform) | |
| 28 | 1001180052 | 1 | Generator Harness (Not Shown) | |
| 29 | 1001181243 | 1 | Mount, Generator | |

SECTION 3 - ENGINE

FIGURE 3-56. 2500W/110V/60HZ GENERATOR INSTALLATION - FORD ENGINES



ART_1001219619

SECTION 3 - ENGINE

FIGURE 3-56. 2500W/110V/60HZ GENERATOR INSTALLATION - FORD ENGINES

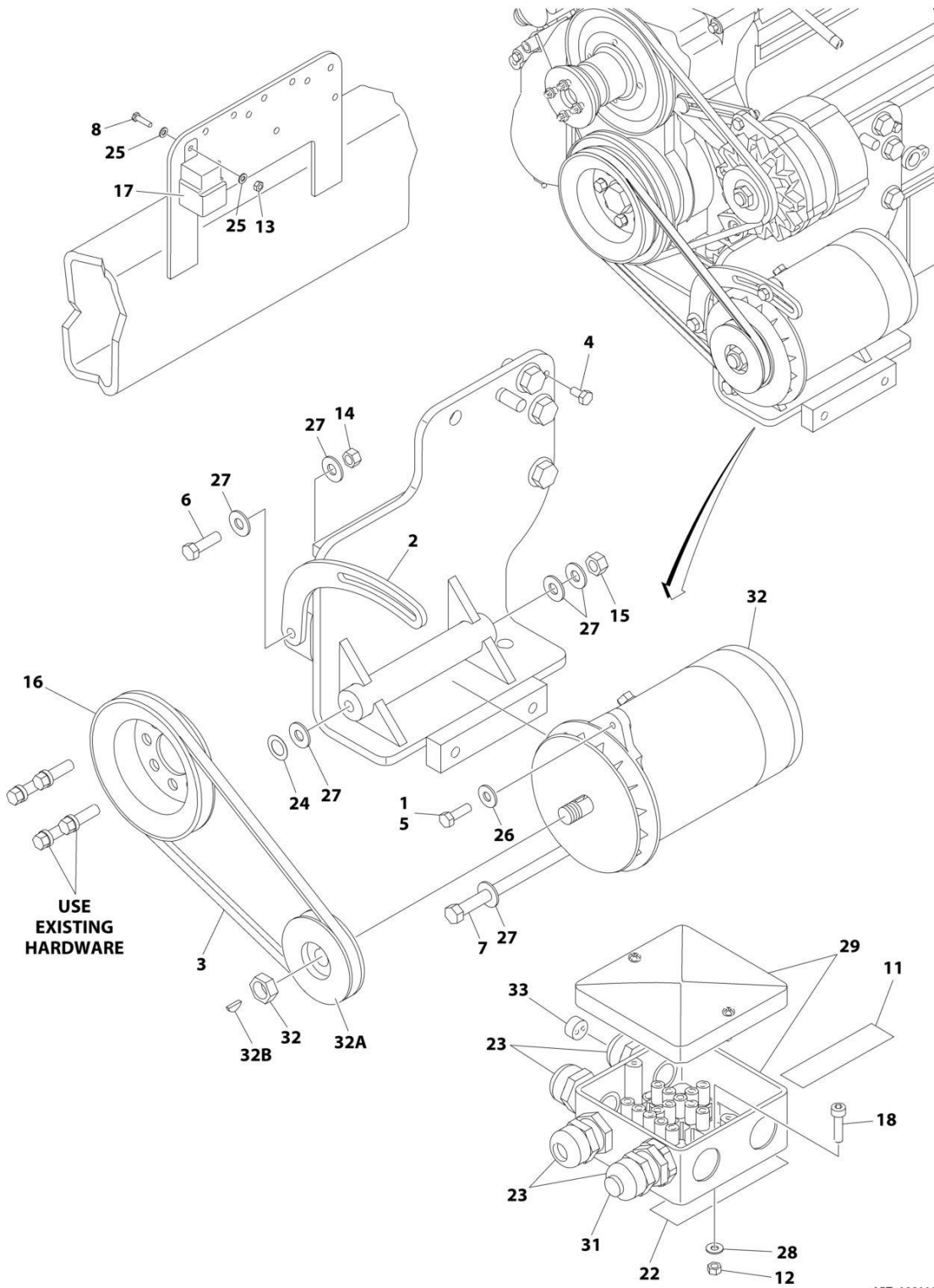
| ITEM | PART NUMBER | QTY | DESCRIPTION | REV |
|------|-------------|-----|---|-----|
| | 1001219619 | Ref | 2500W GENERATOR INSTALLATION - FORD MACHINES (OPTIONAL) | E |
| 1 | 0100011 | AR | Compound, Locking | |
| 2 | 0100048 | AR | Grease, Dielectric | |
| 3 | 0760610 | 1 | Bolt M6 x 20 | |
| 4 | 0641508 | 1 | Bolt 5/16 x 1 | |
| 5 | 0641772 | 1 | Bolt 7/16 x 9 | |
| 6 | 0761016 | 1 | Bolt M10 x 40 | |
| 7 | 1001155041 | 1 | Stud | |
| 8 | 2460051 | 1 | Generator and Control Box Assembly | |
| 8A | 7012558 | 1 | Generator Only - 110V/60Hz | |
| | | Ref | Note: Replacement Generators come standard with pin 3580134 pulley. This pulley may not be correct for all applications. Refer to pulley options below. | |
| 8A | 7026199 | 1 | Armature with Slip Rings | |
| 8A | 7012513 | 4 | Cap, Brush Holder | |
| 8A | 7020108 | 4 | Brush | |
| 8A | 7020109 | 4 | Holder, Brush | |
| 8A | 7012514 | 1 | Fan | |
| 8A | 7020110 | 1 | Bell, Front | |
| 8A | 7020111 | 1 | Bell, Rear | |
| 8A | 7020190 | 2 | Bearing | |
| 8B | 7019680 | 1 | Box, Control - 110V/60Hz | |
| 8B | | Ref | Receptacle Options: | |
| 8B | 4460190 | 1 | Receptacle, Standard (110V Only) | |
| 8B | 4460027 | 1 | Receptacle, Twistlock (110V Only) | |
| 8B | 4360542 | 1 | Breaker, Circuit | |
| 8B | 3520028 | 1 | Plug, Hole | |
| 8C | 2420203 | 1 | Voltmeter | |
| 8D | 3580324 | 1 | Pulley | |
| 8D | 7027887 | 1 | Key, Woodruff | |
| 9 | 2820031 | 1 | Heat Shrink (Not Shown - Located at Platform) | |
| 10 | 3251102 | 1 | Nameplate Generator (Not Shown - Located at Platform) | |
| 11 | 3251243 | 1 | Decal - 120V-60Hz | |
| 13 | 3311005 | 2 | Nut #10 | |
| 14 | 3290601 | 1 | Nut M6 | |
| 15 | 3311705 | 1 | Nut 7/16 | |
| 16 | 3740080 | 1 | Relay | |
| 17 | 4060802 | 1 | Guard Switch (Not Shown - Located at Platform) | |
| 18 | 4240099 | AR | Tie-Strap (Not Shown) | |
| 19 | 4360336 | 1 | Switch, Toggle (Not Shown - Located at Platform) | |
| 20 | 4460321 | 1 | Plug, Male - 4 Position | |
| 22 | 4711700 | 2 | Washer 7/16 | |
| 23 | 4751000 | 2 | Washer #10 | |
| 24 | 4811700 | 1 | Washer M6 | |
| 25 | 4891500 | 2 | Washer 5/16 | |
| 27 | 4812000 | 1 | Washer M10 | |
| 28 | 4812200 | 2 | Washer M14 | |
| 29 | | Ref | Wiring Diagram Components (Not Shown) | |
| 29 | 4922641 | 1 | Generator On/Off Switch Harness (Not Shown - Located at | |

SECTION 3 - ENGINE

| ITEM | PART NUMBER | QTY | DESCRIPTION | REV |
|------|-------------|-----|---|-----|
| 29 | 4923445 | 1 | Platform) Generator Harness (Not Shown - See Separate Breakdown in ELECTRICAL SECTION) | |
| 30 | 1001216391 | 1 | V-Belt | |
| 31 | 1001219630 | 1 | Mount, Generator | |
| 32 | 1001219632 | 1 | Arm, Adjustment | |
| 33 | 4921829 | 1 | Harness, Inverter | |
| 34 | 3291201 | 2 | Nut M12 | |

SECTION 3 - ENGINE

FIGURE 3-57. 2500W/220V/50HZ GENERATOR INSTALLATION - DEUTZ D2011 ENGINES



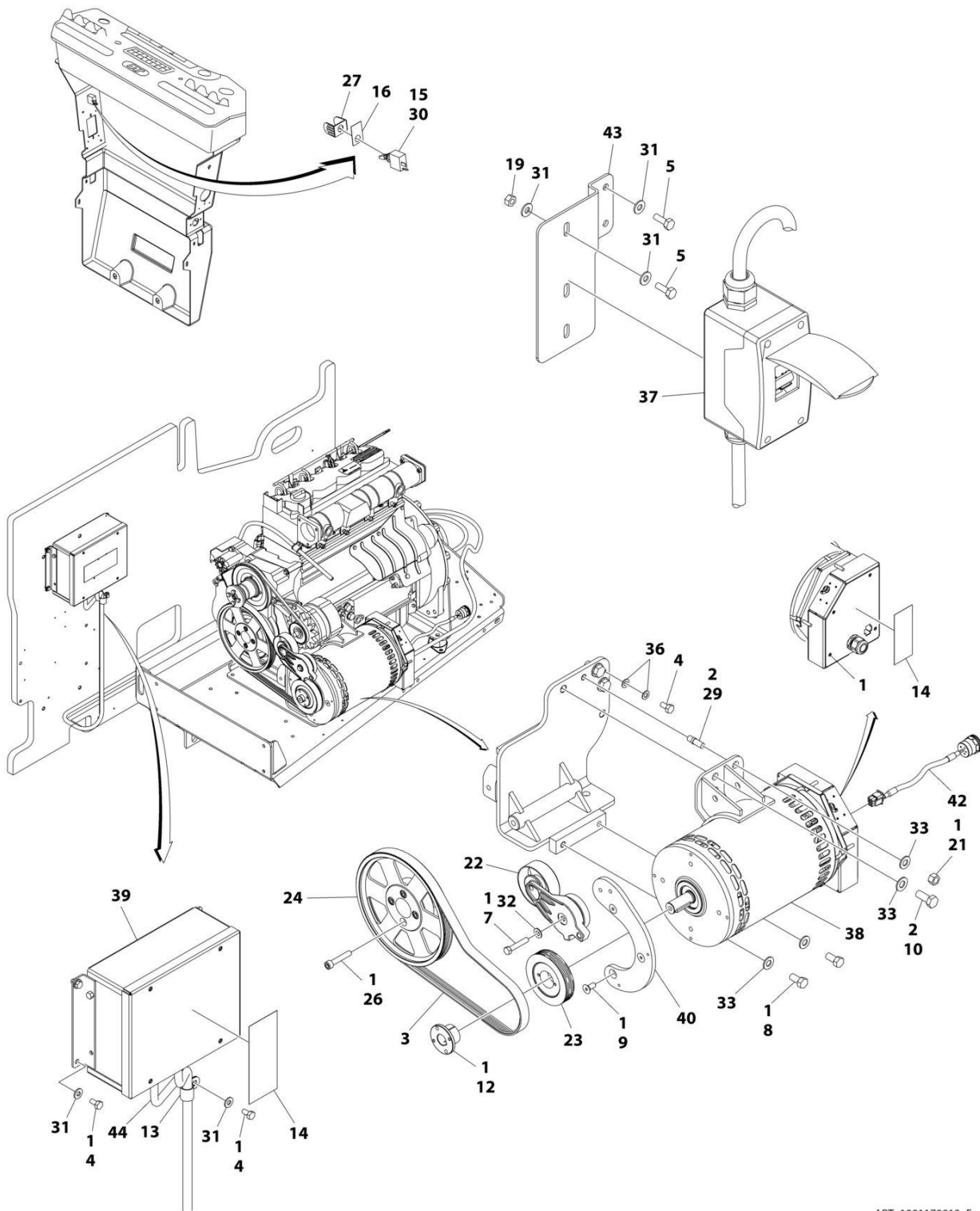
SECTION 3 - ENGINE

FIGURE 3-57. 2500W/220V/50HZ GENERATOR INSTALLATION - DEUTZ D2011 ENGINES

| ITEM | PART NUMBER | QTY | DESCRIPTION | REV |
|------|-------------|-----------|---|-----|
| | 1001115409 | Ref | 2500W GENERATOR INSTALLATION - 220V/50Hz | B |
| 1 | 0100011 | AR | Compound, Locking | |
| 2 | 0200742 | 1 | Arm, Adjusting | |
| 3 | 0480121 | 1 | V-Belt | |
| 4 | 0641404 | 1 | Bolt 1/4 x 1/2 | |
| 5 | 0641508 | 1 | Bolt 5/16 x 1 | |
| 6 | 0641610 | 1 | Bolt 3/8 x 1-1/4 | |
| 7 | 0641772 | 1 | Bolt 7/16 x 9 | |
| 8 | 0721006 | AR | Bolt #10 x 3/4 | |
| 9 | 2820031 | 4 in/10cm | Heat Shrink (Not Shown - Located at Platform) | |
| 10 | 3251102 | 1 | Decal (Not Shown - Located at Platform) | |
| 11 | 3252507 | 2 | Decal - 220V - 50Hz | |
| | | Ref | Note: One Decal Not Shown - Located on the Inside of Platform Rail. | |
| 12 | 3290505 | 1 | Nut M5 | |
| 13 | 3311005 | 1 | Nut #10 | |
| 14 | 3311605 | 1 | Nut 3/8 | |
| 15 | 3311705 | 1 | Nut 7/16 | |
| 16 | 3580158 | 1 | Pulley | |
| 17 | 3740080 | 1 | Relay | |
| 18 | 4031608 | 1 | Bolt M5 x 20 | |
| 19 | 4060802 | 1 | Guard, Switch (Not Shown - Located at Platform) | |
| 20 | 4240018 | 1 | Tie Strap (Not Shown) | |
| 21 | 4360336 | 1 | Switch, Toggle (Not Shown - Located at Platform) | |
| 22 | 4420060 | AR | Tape, Double Coated Acrylic Foam | |
| 23 | 4460968 | 3 | Connector, Strain Relief | |
| 24 | 4740397 | 1 | Shim | |
| 25 | 4751000 | 2 | Washer #10 | |
| 26 | 4751500 | 1 | Washer 5/16 | |
| 27 | 4751600 | 6 | Washer 3/8 | |
| 28 | 4811600 | 1 | Washer M5 | |
| 29 | 1001099869 | 1 | Box, Junction | |
| 30 | | Ref | Wiring Diagram Components (Not Shown) | |
| 30 | 4922641 | 1 | Generator On/Off Switch Harness (Not Shown - Located at Platform) | |
| 30 | 1001112589 | 1 | Generator Harness (Not Shown) | |
| 31 | 1001100234 | 1 | Light, Red | |
| 32 | 1001100321 | 1 | Generator | |
| 32 | 70000123 | 1 | Armature with Slip Rings | |
| 32 | 7012513 | 4 | Cap, Brush Holder | |
| 32 | 7020108 | 4 | Brush | |
| 32 | 7020109 | 4 | Holder, Brush | |
| 32 | 7012514 | 1 | Fan | |
| 32 | 7020110 | 1 | Bell, Front | |
| 32 | 7020111 | 1 | Bell, Rear | |
| 32 | 7020190 | 1 | Bearing | |
| 32A | 3580134 | 1 | Pulley - 50Hz | |
| 32B | 7027887 | 1 | Key, Woodruff | |
| 33 | 0962449 | 1 | Bushing | |

SECTION 3 - ENGINE

FIGURE 3-58. 4000W/50HZ GENERATOR INSTALLATION - DEUTZ D2011 ENGINES



ART_1001179912_E

SECTION 3 - ENGINE

FIGURE 3-58. 4000W/50HZ GENERATOR INSTALLATION - DEUTZ D2011 ENGINES

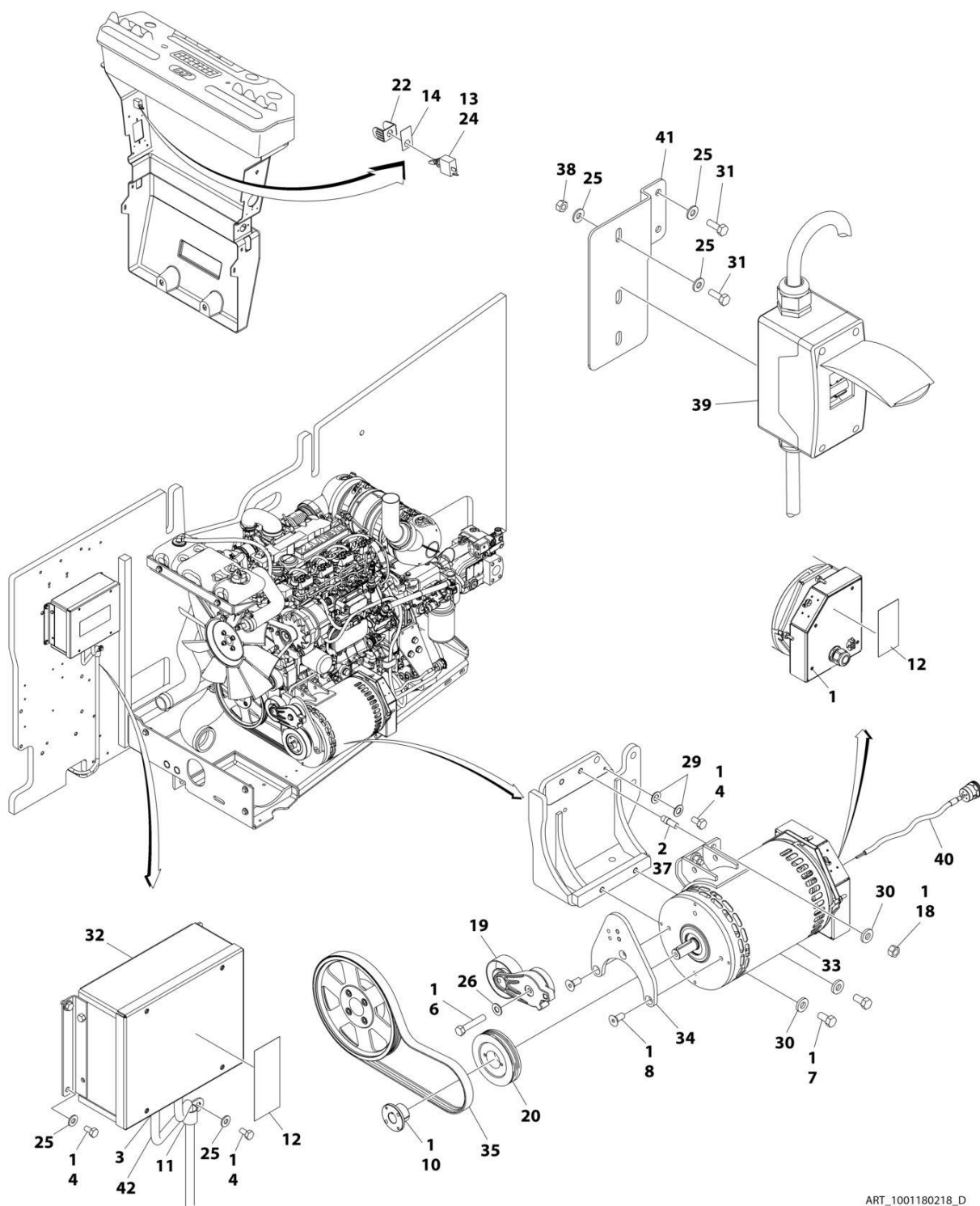
| ITEM | PART NUMBER | QTY | DESCRIPTION | REV |
|------|-------------|------------------|--|-----|
| | 1001179912 | Ref | 4000W/50Hz GENERATOR INSTALLATION - DEUTZ D2011 ENGINES | E |
| 1 | 0100011 | AR | Compound, Locking | |
| 2 | 0100019 | AR | Compound, Locking | |
| 3 | 0480126 | 1 | Belt, Generator (50Hz) | |
| 4 | 0641404 | 6 | Bolt 1/4 x 1/2 | |
| 5 | 0641406 | 1 | Bolt 1/4 x 3/4 | |
| 7 | 0641616 | 1 | Bolt 3/8 x 2 | |
| 8 | 0641808 | 2 | Bolt 1/2 x 1 | |
| 9 | 0741607 | 3 | Screw 3/8 x 7/8 | |
| 10 | 0771415 | 1 | Bolt M14 x 35 | |
| 12 | 0962520 | 1 | Bushing, Split | |
| 13 | 1320318 | 1 | Clamp | |
| 14 | 1705489 | 1 | Decal - Hazardous Voltage | |
| 15 | 2820031 | 0.33 ft /0.1m | Heat Shrink | |
| 16 | 3251102 | 1 | Nameplate - Generator | |
| 19 | 3311405 | 1 | Nut 1/4 | |
| 21 | 3311801 | 1 | Nut 1/2 | |
| 22 | 3580317 | 1 | Tensioner, Belt with Pulley | |
| 23 | 3580319 | 1 | Pulley, Generator | |
| 24 | 3580320 | 1 | Pulley, Engine | |
| 26 | 4032015 | 4 | Capscrew M10 x 55 | |
| 27 | 4060802 | 1 | Guard, Switch | |
| 28 | 4240018 | AR | Tie-Strap (Not Shown) | |
| 29 | 4300157 | 1 | Stud | |
| 30 | 4360336 | 1 | Switch, Toggle | |
| 31 | 4711400 | 11 | Washer 1/4 | |
| 32 | 4711600 | 1 | Washer 3/8 | |
| 33 | 4711800 | 3 | Washer 1/2 | |
| 36 | 4791400 | 2 | Washer 1/4 | |
| 37 | 1001165368 | 1 | Breaker Box Kit (Not Shown - See Separate Breakdown in ELECTRICAL SECTION) | |
| 38 | 1001138565 | 1 | Generator Assembly (50Hz) | |
| 38 | 70003709 | 1 | Ring, Retaining (External) | |
| 38 | 70003708 | 1 | Ring, Retaining (Internal) | |
| 38 | 70001966 | 1 | Bearing | |
| 38 | 70004092 | 1 | Endbell (Shaft End) | |
| 38 | 70004171 | 1 | Key | |
| 38 | 70004676 | 1 | Rotor | |
| 38 | 70004677 | 1 | Stator (50Hz) | |
| 38 | 70004678 | 1 | Endbell (Rear) | |
| 38 | 70004679 | 1 | Cover, Endbell (Rear) | |
| 38 | 70004680 | 1 | Enclosure, Wiring | |
| 38 | 70004681 | 1 | Cover, Enclosure (50Hz) | |
| 38 | 70004682 | 1 | Switch, Reset (Located on Enclosure Cover) | |
| 38 | 70004683 | 1 | Connector, Strain Relief (50Hz) (Located on Enclosure Cover) | |
| 39 | 1001138566 | 1 | Control Box Assembly | |
| 39 | 70006552 | 1 | Capacitor | |
| 39 | 70006553 | 1 | Relay | |

SECTION 3 - ENGINE

| ITEM | PART NUMBER | QTY | DESCRIPTION | REV |
|------|-------------|-----|--|-----|
| 40 | 1001139357 | 1 | Mount, Tensioner | |
| 42 | 1001152532 | 1 | Generator to Control Box, Harness (See Separate Breakdown in ELECTRICAL SECTION) | |
| 43 | 1001177035 | 1 | Bracket | |
| 44 | 1001153197 | 1 | Generator Control Box to Engine Harness (See Separate Breakdown in ELECTRICAL SECTION) | |

SECTION 3 - ENGINE

FIGURE 3-59. 4000W/50HZ GENERATOR INSTALLATION - DEUTZ TD2.9L4 ENGINES AND DEUTZ TD2.9L4 (STAGE V) ENGINES



ART_1001180218_D

SECTION 3 - ENGINE

FIGURE 3-59. 4000W/50HZ GENERATOR INSTALLATION - DEUTZ TD2.9L4 ENGINES AND DEUTZ TD2.9L4 (STAGE V) ENGINES

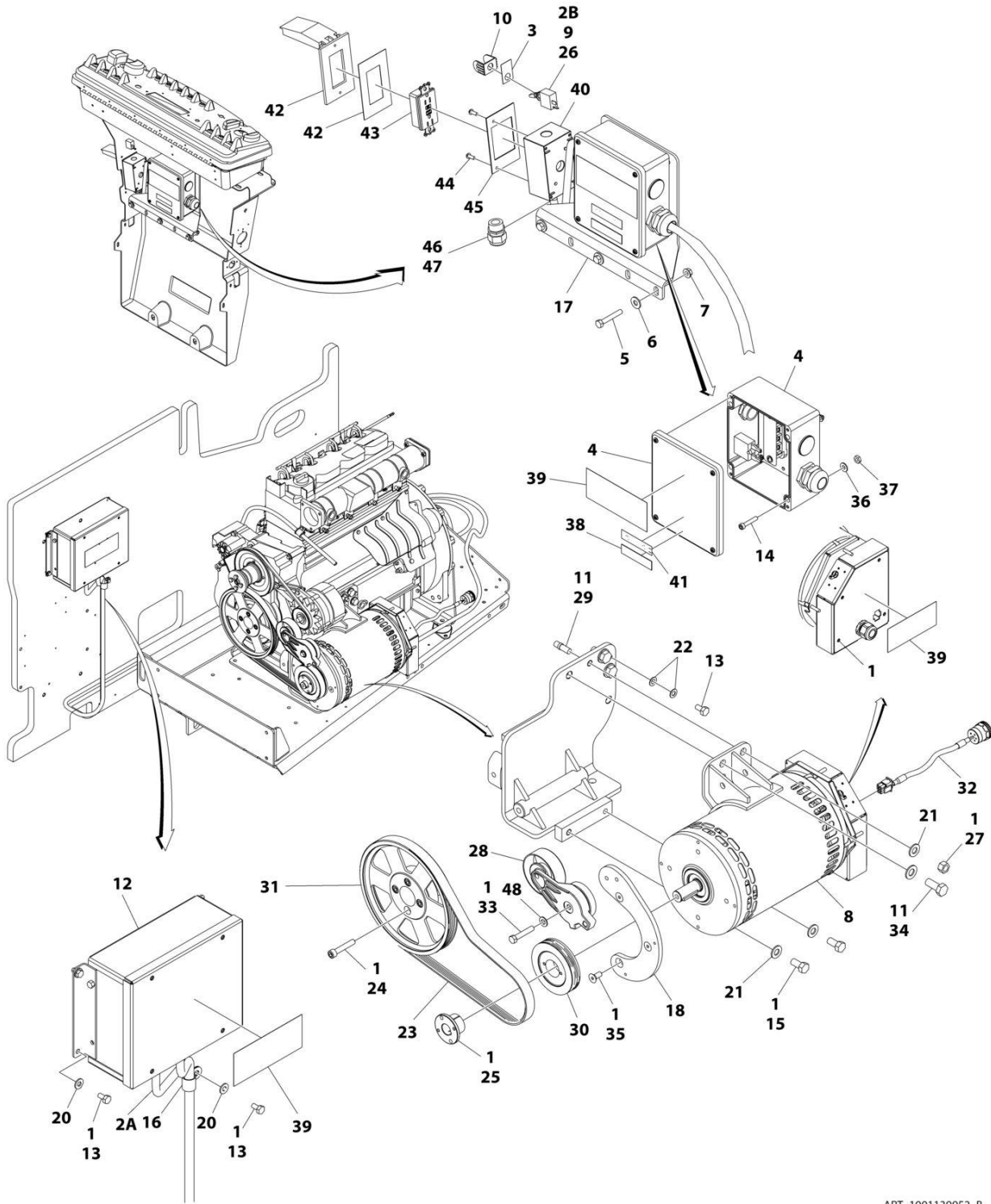
| ITEM | PART NUMBER | QTY | DESCRIPTION | REV |
|------|-------------|------------------|---|-----|
| | 1001180218 | 1 | 4000W/Hz GENERATOR INSTALLATION - DEUTZ TD2.9L4 ENGINES | D |
| 1 | 0100011 | AR | Compound, Locking | |
| 2 | 0100019 | AR | Compound, Locking | |
| 3 | 0100048 | AR | Grease Dielectric | |
| 4 | 0641404 | 6 | Bolt 1/4 x 1/2 | |
| 6 | 0641616 | 1 | Bolt 3/8 x 2 | |
| 7 | 0641808 | 2 | Bolt 1/2 x 1 | |
| 8 | 0741607 | 3 | Screw 3/8 x 7/8 | |
| 10 | 0962520 | 1 | Bushing, Split | |
| 11 | 1320318 | 1 | Clamp | |
| 12 | 1705489 | 2 | Decal - Hazardous Voltage | |
| 13 | 2820031 | 0.33 ft /0.1m | Heat Shrink | |
| 14 | 3251102 | 1 | Nameplate, Generator | |
| 18 | 3311801 | 2 | Nut 1/2 | |
| 19 | 3580317 | 1 | Tensioner, Belt with Pulley | |
| 20 | 3580319 | 1 | Pulley, Generator | |
| 22 | 4060802 | 1 | Guard, Switch | |
| 23 | 4240018 | AR | Tie-Strap (Not Shown) | |
| 24 | 4360336 | 1 | Switch, Toggle | |
| 25 | 4711400 | 11 | Washer 1/4 | |
| 26 | 4711600 | 1 | Washer 3/8 | |
| 29 | 4791400 | 2 | Washer 1/4 | |
| 30 | 4891800 | 4 | Washer 1/2 | |
| 31 | 0641406 | 4 | Bolt 1/4 x 3/4 | |
| 32 | 1001138566 | 1 | Control Box Assembly | |
| 32 | 70006552 | 1 | Capacitor | |
| 32 | 70006553 | 1 | Relay | |
| 33 | 1001140347 | 1 | Generator Assembly | |
| 33 | 70003709 | 1 | Ring, Retaining (External) | |
| 33 | 70003708 | 1 | Ring, Retaining (Internal) | |
| 33 | 70001966 | 1 | Bearing | |
| 33 | 70004092 | 1 | Endbell (Shaft End) | |
| 33 | 70004099 | 1 | Key | |
| 33 | 70004676 | 1 | Rotor | |
| 33 | 70004686 | 1 | Stator | |
| 33 | 70004678 | 1 | Endbell (Rear) | |
| 33 | 70004679 | 1 | Cover, Endbell (Rear) | |
| 33 | 70004680 | 1 | Enclosure, Wiring | |
| 33 | 70004681 | 1 | Cover, Enclosure | |
| 33 | 70004682 | 1 | Switch, Reset (Located on Enclosure Cover) | |
| 33 | 70004683 | 1 | Connector, Strain Relief (Located on Enclosure Cover) | |
| 33 | 4460224 | 1 | Connector - 6 Position (Located on Enclosure Cover) | |
| 33 | 4460294 | 2 | Pin, Male (Located on Enclosure Cover) | |
| 34 | 1001142643 | 1 | Support, Tensioner | |
| 35 | 1001142645 | 1 | Belt, Generator | |
| 37 | 1001163599 | 2 | Stud | |
| 38 | 3311405 | 4 | Nut 1/4 | |

SECTION 3 - ENGINE

| ITEM | PART NUMBER | QTY | DESCRIPTION | REV |
|------|-------------|-----|--|-----|
| 39 | 1001165368 | 1 | Breaker Box Kit (Not Shown - See Separate Breakdown in ELECTRICAL SECTION) | |
| 40 | 1001152532 | 1 | Generator to Control Box Harness (See Separate Breakdown in ELECTRICAL SECTION) | |
| 41 | 1001177035 | 1 | Bracket | |
| 42 | 1001153259 | 1 | Generator Control Box to Engine Harness (See Separate Breakdown in ELECTRICAL SECTION) | |

SECTION 3 - ENGINE

FIGURE 3-60. 4000W/60HZ GENERATOR INSTALLATION - DEUTZ D2011 ENGINES



ART_1001139952_B

SECTION 3 - ENGINE

FIGURE 3-60. 4000W/60HZ GENERATOR INSTALLATION - DEUTZ D2011 ENGINES

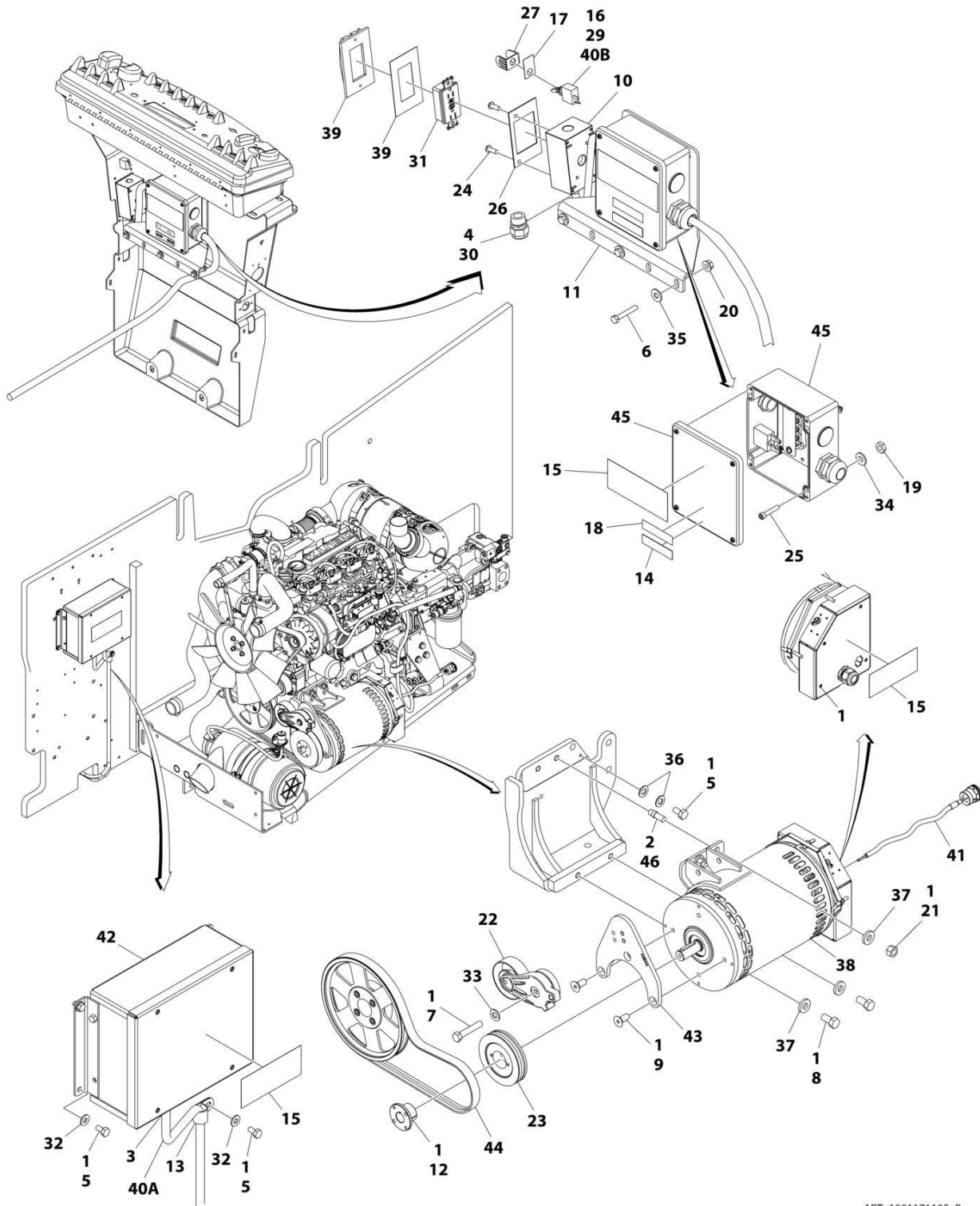
| ITEM | PART NUMBER | QTY | DESCRIPTION | REV |
|------|-------------|---------|--|-----|
| | 1001139952 | Ref | 4000W/60Hz GENERATOR INSTALLATION - DEUTZ D2011 ENGINES | B |
| 1 | 0100011 | AR | Compound, Locking | |
| 2 | | Ref | Wiring Diagram Components (Not Shown) | |
| 2A | 1001153197 | 1 | Generator Control Box to Engine Harness (See Separate Breakdown in ELECTRICAL SECTION) | |
| 2B | 4462641 | 1 | Generator On/Off Switch Harness | |
| 3 | 3251102 | 1 | Nameplate - Generator | |
| 4 | 1001152457 | 1 | Junction Box Assembly | |
| 4 | 3300396 | 1 | Cover, Breaker | |
| 4 | 4360070 | 1 | Breaker, Circuit - 15Amp | |
| 4 | 4460425 | 1 | Connector, Strain Relief (LH Side) | |
| 4 | 4460426 | 1 | Connector, Strain Relief (RH Side) | |
| 5 | 0641516 | 3 | Bolt 5/16 x 2 | |
| 6 | 4751500 | 3 | Washer 5/16 | |
| 7 | 3311508 | 3 | Nut 5/16 | |
| 8 | 1001129858 | 1 | Generator Assembly | |
| 8 | 70003709 | 1 | Ring, Retaining (External) | |
| 8 | 70003708 | 1 | Ring, Retaining (Internal) | |
| 8 | 70001966 | 1 | Bearing | |
| 8 | 70004092 | 1 | Endbell (Shaft End) | |
| 8 | 70004171 | 1 | Key | |
| 8 | 70004676 | 1 | Rotor | |
| 8 | 70004684 | 1 | Stator | |
| 8 | 70004678 | 1 | Endbell (Rear) | |
| 8 | 70004679 | 1 | Cover, Endbell (Rear) | |
| 8 | 70004680 | 1 | Enclosure, Wiring | |
| 8 | 70004685 | 1 | Cover, Enclosure | |
| 8 | 70004682 | 1 | Switch, Reset (Located on Enclosure Cover) | |
| 8 | 70004098 | 1 | Connector, Strain Relief (Located on Enclosure Cover) | |
| 9 | 4360336 | 1 | Switch, Toggle | |
| 10 | 4060802 | 1 | Guard, Switch | |
| 11 | 0100019 | AR | Compound, Locking | |
| 12 | 1001138566 | 1 | Control Box Assembly | |
| 12 | 70006552 | 1 | Capacitor | |
| 12 | 70006553 | 1 | Relay | |
| 13 | 0641404 | 6 | Bolt 1/4 x 1/2 | |
| 14 | 3931016 | 4 | Capscrew #10 x 1 | |
| 15 | 0641808 | 2 | Bolt 1/2 x 1 | |
| 16 | 1320318 | 1 | Clamp | |
| 17 | 0902888 | 1 | Bracket | |
| 18 | 1001139357 | 1 | Mount, Tensioner | |
| 19 | 4240018 | AR | Tie-Strap (Not Shown) | |
| 20 | 4711400 | 5 | Washer 1/4 | |
| 21 | 4711800 | 3 | Washer 1/2 | |
| 22 | 4791400 | 2 | Washer 1/4 | |
| 23 | 0480129 | 1 | Belt, Generator | |
| 24 | 4032015 | 4 | Capscrew M10 x 55 | |
| 25 | 0962520 | 1 | Bushing, Split | |
| 26 | 2820031 | 0.33 ft | Heat Shrink | |

SECTION 3 - ENGINE

| ITEM | PART NUMBER | QTY | DESCRIPTION | REV |
|------|-------------|-------|---|-----|
| | | /0.1m | | |
| 27 | 3311801 | 1 | Nut 1/2 | |
| 28 | 3580317 | 1 | Tensioner, Belt with Pulley | |
| 29 | 4300157 | 1 | Stud | |
| 30 | 3580318 | 1 | Pulley, Generator | |
| 31 | 3580320 | 1 | Pulley, Engine | |
| 32 | 1001152532 | 1 | Generator to Control Box Harness (See Separate Breakdown in ELECTRICAL SECTION) | |
| 33 | 0641616 | 1 | Bolt 3/8 x 2 | |
| 34 | 0771415 | 1 | Bolt M14 x 35 | |
| 35 | 0741607 | 3 | Screw 3/8 x 7/8 | |
| 36 | 4751000 | 4 | Washer #10 | |
| 37 | 3311005 | 4 | Nut #10 | |
| 38 | 1705374 | 1 | Decal - 240V | |
| 39 | 1705387 | 3 | Decal - Hazardous Voltage | |
| 40 | 0860038 | 1 | Box, Switch - Weatherhead | |
| 41 | 3251243 | 1 | Decal - 120V | |
| 42 | 1001110873 | 1 | Cover, Receptacle | |
| 43 | 4460346 | 1 | Receptacle | |
| 44 | 3910606 | 4 | Screw #6 x 3/8 | |
| 45 | 3960422 | 1 | Gasket | |
| 46 | 0100020 | AR | Sealant #567 | |
| 47 | 4460071 | 1 | Connector | |
| 48 | 4711600 | 1 | Washer 3/8 | |

SECTION 3 - ENGINE

FIGURE 3-61. 4000W/60HZ GENERATOR INSTALLATION - DEUTZ TD2.9L4 ENGINES



ART_1001171125_B

SECTION 3 - ENGINE

FIGURE 3-61. 4000W/60HZ GENERATOR INSTALLATION - DEUTZ TD2.9L4 ENGINES

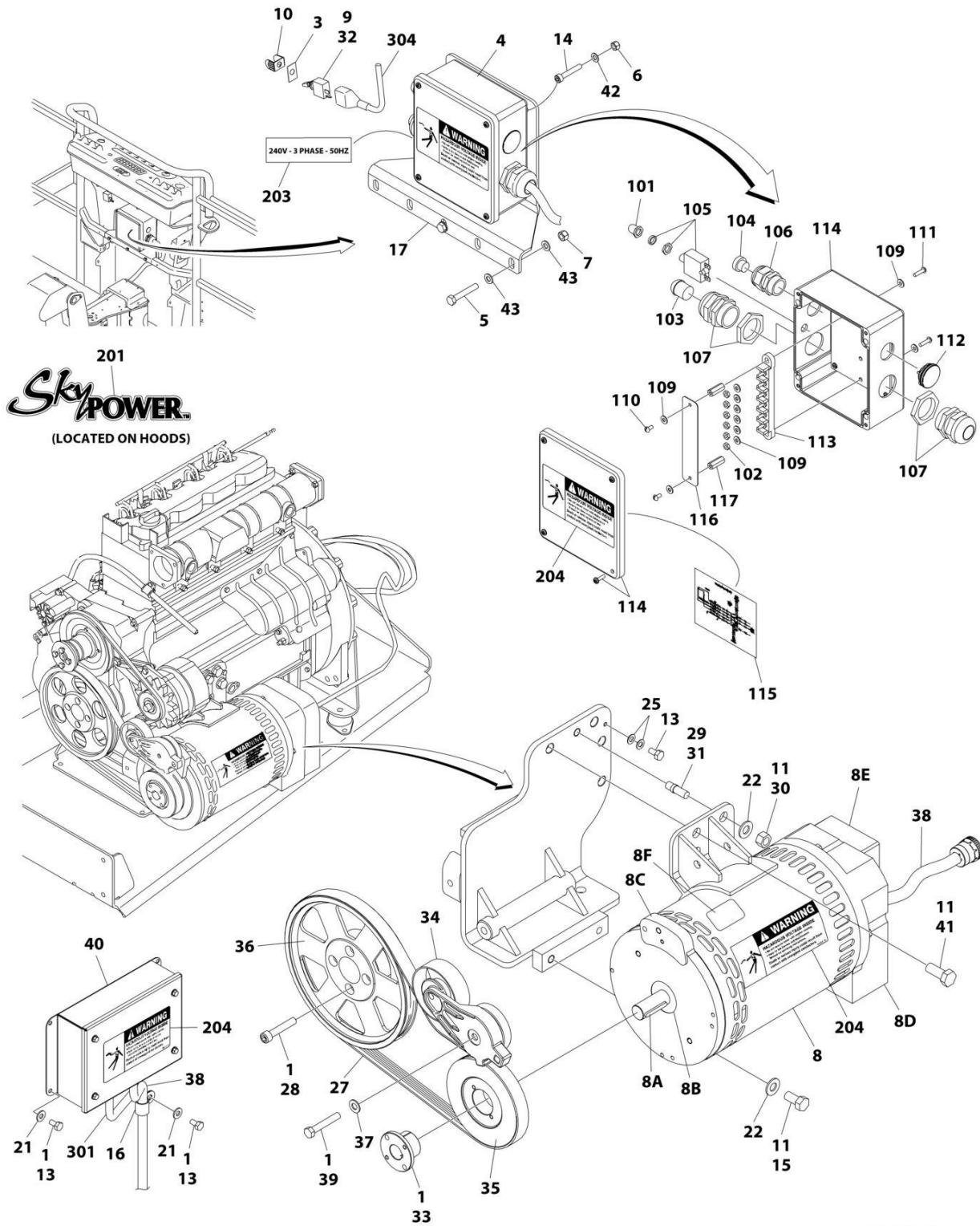
| ITEM | PART NUMBER | QTY | DESCRIPTION | REV |
|------|-------------|------------------|-----------------------------------|-----|
| | 1001171125 | 1 | 4000W/60Hz GENERATOR INSTALLATION | B |
| 1 | 0100011 | AR | Compound, Locking | |
| 2 | 0100019 | AR | Compound, Locking | |
| 3 | 0100048 | AR | Grease Dielectric | |
| 4 | 0100079 | AR | Sealant | |
| 5 | 0641404 | 6 | Bolt 1/4 x 1/2 | |
| 6 | 0641516 | 3 | Bolt 5/16 x 2 | |
| 7 | 0641616 | 1 | Bolt 3/8 x 2 | |
| 8 | 0641808 | 2 | Bolt 1/2 x 1 | |
| 9 | 0741607 | 3 | Screw 3/8 x 7/8 | |
| 10 | 0860038 | 1 | Box, Switch | |
| 11 | 0902888 | 1 | Bracket, Junction Box | |
| 12 | 0962520 | 1 | Bushing, Split | |
| 13 | 1320318 | 1 | Clamp | |
| 14 | 1705374 | 1 | Decal - 240V | |
| 15 | 1705387 | 3 | Decal - Hazardous Voltage | |
| 16 | 2820031 | 0.33 ft /0.1m | Heat Shrink | |
| 17 | 3251102 | 1 | Nameplate, Generator | |
| 18 | 3251243 | 1 | Decal - 120V | |
| 19 | 3311005 | 4 | Nut #10 | |
| 20 | 3311508 | 3 | Nut 5/16 | |
| 21 | 3311801 | 2 | Nut 1/2 | |
| 22 | 3580317 | 1 | Tensioner, Belt with Pulley | |
| 23 | 3580318 | 1 | Pulley, Generator | |
| 24 | 3910606 | 4 | Screw 6 x 3/8 | |
| 25 | 3931016 | 4 | Capscrew #10 x 1 | |
| 26 | 3960422 | 1 | Gasket, AC Receptacle | |
| 27 | 4060802 | 1 | Guard, Switch | |
| 28 | 4240018 | AR | Tie-Strap (Not Shown) | |
| 29 | 4360336 | 1 | Switch, Toggle | |
| 30 | 4460071 | 1 | Connector, Strain Relief | |
| 31 | 4460346 | 1 | Receptacle | |
| 32 | 4711400 | 5 | Washer 1/4 | |
| 33 | 4711600 | 1 | Washer 3/8 | |
| 34 | 4751000 | 4 | Washer #10 | |
| 35 | 4751500 | 3 | Washer 5/16 | |
| 36 | 4791400 | 2 | Washer 1/4 | |
| 37 | 4891800 | 4 | Washer 1/2 | |
| 38 | 1001140346 | 1 | Generator Assembly | |
| 38 | 70003709 | 1 | Ring, Retaining (External) | |
| 38 | 70003708 | 1 | Ring, Retaining (Internal) | |
| 38 | 70001966 | 1 | Bearing | |
| 38 | 70004092 | 1 | Endbell (Shaft End) | |
| 38 | 70004099 | 1 | Key | |
| 38 | 70004676 | 1 | Rotor | |
| 38 | 70004687 | 1 | Stator | |
| 38 | 70004678 | 1 | Endbell (Rear) | |
| 38 | 70004679 | 1 | Cover, Endbell (Rear) | |
| 38 | 70004680 | 1 | Enclosure, Wiring | |

SECTION 3 - ENGINE

| ITEM | PART NUMBER | QTY | DESCRIPTION | REV |
|------|-------------|-----|--|-----|
| 38 | 70004685 | 1 | Cover, Enclosure | |
| 38 | 70004682 | 1 | Switch, Reset (Located on Enclosure Cover) | |
| 38 | 70004098 | 1 | Connector, Strain Relief (Located on Enclosure Cover) | |
| 39 | 1001110873 | 1 | Cover, Receptacle | |
| 40 | | Ref | Wiring Diagram Components (Not Shown) | |
| 40A | 1001153259 | 1 | Generator Control Box to Engine Harness (See Separate Breakdown in ELECTRICAL SECTION) | |
| 40B | 4922641 | 1 | Generator On/Off Switch Harness | |
| 41 | 1001152532 | 1 | Generator to Control Box (See Separate Breakdown in ELECTRICAL SECTION) | |
| 42 | 1001138566 | 1 | Control Box Assembly | |
| 42 | 70006552 | 1 | Capacitor | |
| 42 | 70006553 | 1 | Relay | |
| 43 | 1001142643 | 1 | Support, Tensioner | |
| 44 | 1001142646 | 1 | Belt, Generator | |
| 45 | 1001152457 | 1 | Junction Box Assembly | |
| 45 | 3300396 | 1 | Cover, Breaker | |
| 45 | 4360070 | 1 | Breaker, Circuit - 15Amp | |
| 45 | 4460425 | 1 | Connector, Strain Relief (LH Side) | |
| 45 | 4460426 | 1 | Connector, Strain Relief (RH Side) | |
| 46 | 1001163599 | 2 | Stud | |

SECTION 3 - ENGINE

FIGURE 3-62. 7500W/50HZ SKYPOWER GENERATOR INSTALLATION - DEUTZ D2011 ENGINES



SECTION 3 - ENGINE

FIGURE 3-62. 7500W/50HZ SKYPOWER GENERATOR INSTALLATION - DEUTZ D2011 ENGINES

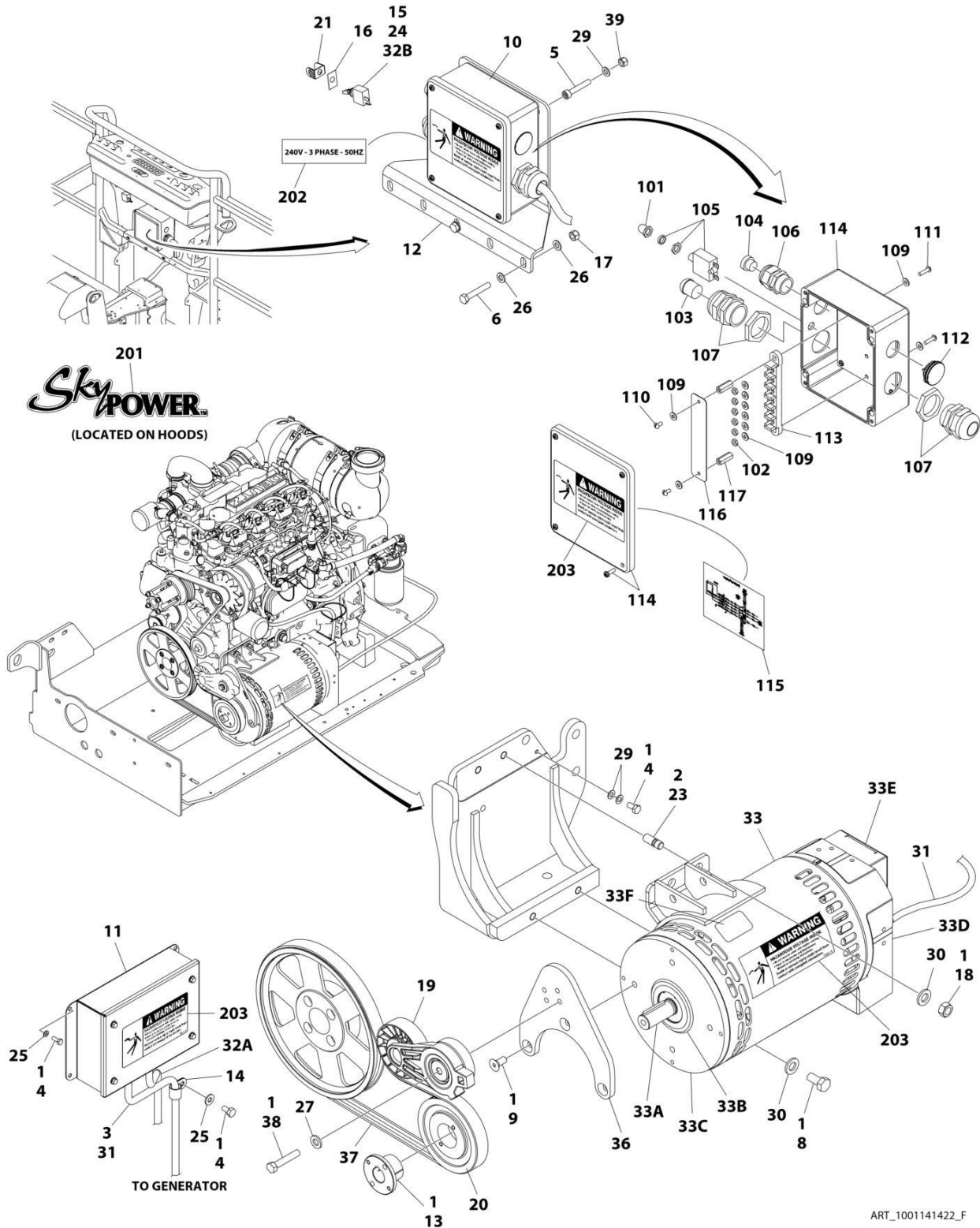
| ITEM | PART NUMBER | QTY | DESCRIPTION | REV |
|------|-------------|-----|--|-----|
| | 1001115389 | Ref | 7500W/50HZ SKYPOWER GENERATOR INSTALLATION - DEUTZ D2011 ENGINE MACHINES | E |
| 1 | 0100011 | AR | Compound, Locking | |
| 3 | 3252764 | 1 | Nameplate | |
| 4 | 1001157525 | 1 | Junction Box Assembly (See Items 101-117 for Breakdown) | |
| 5 | 0641516 | 3 | Bolt 5/16 x 2 | |
| 6 | 3311005 | 4 | Nut #10 | |
| 7 | 3311508 | 3 | Nut 5/16 | |
| 8 | 2460048 | 1 | Generator Assembly (Deutz D2011 Engines) | |
| 8 | 70001100 | 1 | Rotor (Includes p/n 70001384 & 70000863) (Not Shown) | |
| 8 | 70001384 | 1 | Bearing, Ball Radial (Not Shown): | |
| 8 | 70000863 | 1 | Fan (Not Shown) | |
| 8 | 70002088 | 1 | Stator | |
| 8 | 70002297 | 1 | Stud | |
| 8 | 7024484 | NLA | Brushholder Assembly (Not Shown) (Use p/n 70003631) | |
| 8A | 7024561 | NLA | Key | |
| 8B | 70001966 | 1 | Bearing, Ball Radial (Located in Belt Tensioner Endbell) | |
| 8B | 70003708 | 1 | Ring, Internal Retaining (Located in Belt Tensioner Endbell) | |
| 8B | 70003709 | 1 | Ring, External Retaining (Located in Belt Tensioner Endbell) | |
| 8C | 70001953 | 1 | Endbell, Belt Tensioner | |
| 8D | 70001385 | NLA | Endbell, Brush Block (use p/n 70004169) | |
| 8E | 70002290 | NLA | Shroud (Use p/n 70004169) | |
| 8E | See Note | NSS | Insulator, Endbell (Note: Not Available for Purchase) | |
| 8E | 7027799 | 1 | Block, Connector 6 Position (Not Shown) | |
| 8E | 70002460 | 1 | Nut, Brass (Attaches p/n 7027799 to Cover) (Not Shown) | |
| 8E | 7024485 | 1 | Breaker, Circuit 30Amp (Not Shown): | |
| 8E | 70001696 | 1 | Boot, Breaker (Not Shown): | |
| 8E | 7026626 | 1 | Connector, 6 Position (Includes Seal) (Not Shown - Plugs into Item 36) | |
| 8E | 7026597 | 1 | Connector, W/Leads (Not Shown) | |
| 8E | 7026188 | 1 | Clamp, Cable (Not Shown) | |
| 8E | 70004169 | 1 | Plate, End Panel | |
| 8E | 70001974 | 1 | Decal - Terminal Connections | |
| 8F | 70001973 | 1 | Decal - Warning Moving Parts | |
| 9 | 4360336 | 1 | Switch, Toggle | |
| 10 | 4060802 | 1 | Guard, Switch | |
| 11 | 0100019 | AR | Compound, Locking | |
| 13 | 0641404 | 6 | Bolt 1/4 x 1/2 | |
| 14 | 3931016 | 4 | Capscrew 3/8 x 1 | |
| 15 | 0641808 | 2 | Bolt 1/2 x 1 | |
| 16 | 1320318 | 1 | Clamp | |
| 17 | 0902888 | 1 | Bracket, Box Mounting | |
| 20 | 4240018 | AR | Tie-Strap (Not Shown) | |
| 21 | 4711400 | 5 | Washer 1/4 | |
| 22 | 4711800 | 3 | Washer 1/2 | |
| 25 | 4791400 | 2 | Washer 1/4 | |
| 27 | 0480126 | 1 | Belt, Drive | |
| 28 | 4032015 | 4 | Capscrew M10 x 55 | |
| 29 | 4300157 | 1 | Stud | |
| 30 | 3311801 | 1 | Nut 1/2 | |

SECTION 3 - ENGINE

| ITEM | PART NUMBER | QTY | DESCRIPTION | REV |
|------|-------------|-----|--|-----|
| 31 | 0100062 | AR | Adhesive (Not Shown) | |
| 32 | 2820031 | 1 | Insulator | |
| 33 | 0962520 | 1 | Bushing, Split Taper | |
| 34 | 3580317 | 1 | Tensioner, Belt | |
| 35 | 3580319 | 1 | Pulley | |
| 36 | 3580320 | 1 | Pulley | |
| 37 | 4711600 | 1 | Washer 3/8 | |
| 38 | 4922925 | 1 | Generator to Control Box Harness (See Separate Breakdown in ELECTRICAL SECTION) | |
| 39 | 0641618 | 1 | Bolt 3/8 x 2-1/4 | |
| 40 | 0861572 | 1 | Control Box Assembly | |
| 40 | 7024488 | 1 | Card, Circuit - Generator Power | |
| 40 | See Note | 1 | Fuse (Note: Not Available - Purchase Locally) | |
| 40 | 70000619 | 1 | Harness, Control Box (Internal) | |
| 40 | 7024489 | 1 | Card, Circuit - Control | |
| | | Ref | Note: Same Circuit Card (P/N 7024489) is used for both 60Hz & 50Hz Specs. When replacing card, rocker switch on card must be set for required application. | |
| 41 | 0771415 | 1 | Bolt M14 x 35 Grade 10.9 | |
| 42 | 4751000 | 4 | Washer #10 | |
| 43 | 4751500 | 3 | Washer 5/16 | |
| | 1001157525 | Ref | JUNCTION BOX ASSEMBLY | B |
| 101 | 3300396 | 1 | Cover, Fuse | |
| 102 | 3311001 | 6 | Nut #10-24 | |
| 103 | 3520189 | 1 | Plug | |
| 104 | 3520192 | 1 | Plug | |
| 105 | 4360070 | 1 | Circuit Breaker - 15 Amp | |
| 106 | 4460425 | 1 | Connector, Strain Relief | |
| 107 | 4460426 | 2 | Connector, Strain Relief | |
| 109 | 4711000 | 10 | Washer #10 | |
| 110 | 10702077 | 2 | Screw #10 x 3/8 | |
| 111 | 10702082 | 2 | Screw #10 x 3/4 | |
| 112 | 1001152525 | 1 | Plug | |
| 113 | 1001157520 | 1 | Block, Terminal | |
| 114 | 1001157521 | 1 | Box, Junction | |
| 115 | 1001157528 | 1 | Decal - Wiring Schematic | |
| 116 | 1001158007 | 1 | Cover, PVC | |
| 117 | 1001158008 | 2 | Stand-Off | |
| | 0272589 | Ref | DECAL INSTALLATION | A |
| 201 | 1705460 | 2 | Decal - SkyPower | |
| 203 | 1705461 | 1 | Decal - 240V - 3 Phase | |
| 204 | 1705489 | 3 | Decal, Hazardous Voltage | |
| | 1001157769 | Ref | ELECTRICAL DIAGRAM COMPONENTS | B |
| 301 | 1001152429 | 1 | Generator Harness (See Separate Breakdown in ELECTRICAL SECTION) | |
| 304 | 4922641 | 1 | Switch Harness | |

SECTION 3 - ENGINE

FIGURE 3-63. 7500W/50HZ SKYPOWER GENERATOR INSTALLATION - DEUTZ TD2.9L4 ENGINES AND DEUTZ TD2.9L4 (STAGE V) ENGINES



ART_1001141422_F

SECTION 3 - ENGINE

FIGURE 3-63. 7500W/50HZ SKYPOWER GENERATOR INSTALLATION - DEUTZ TD2.9L4 ENGINES AND DEUTZ TD2.9L4 (STAGE V) ENGINES

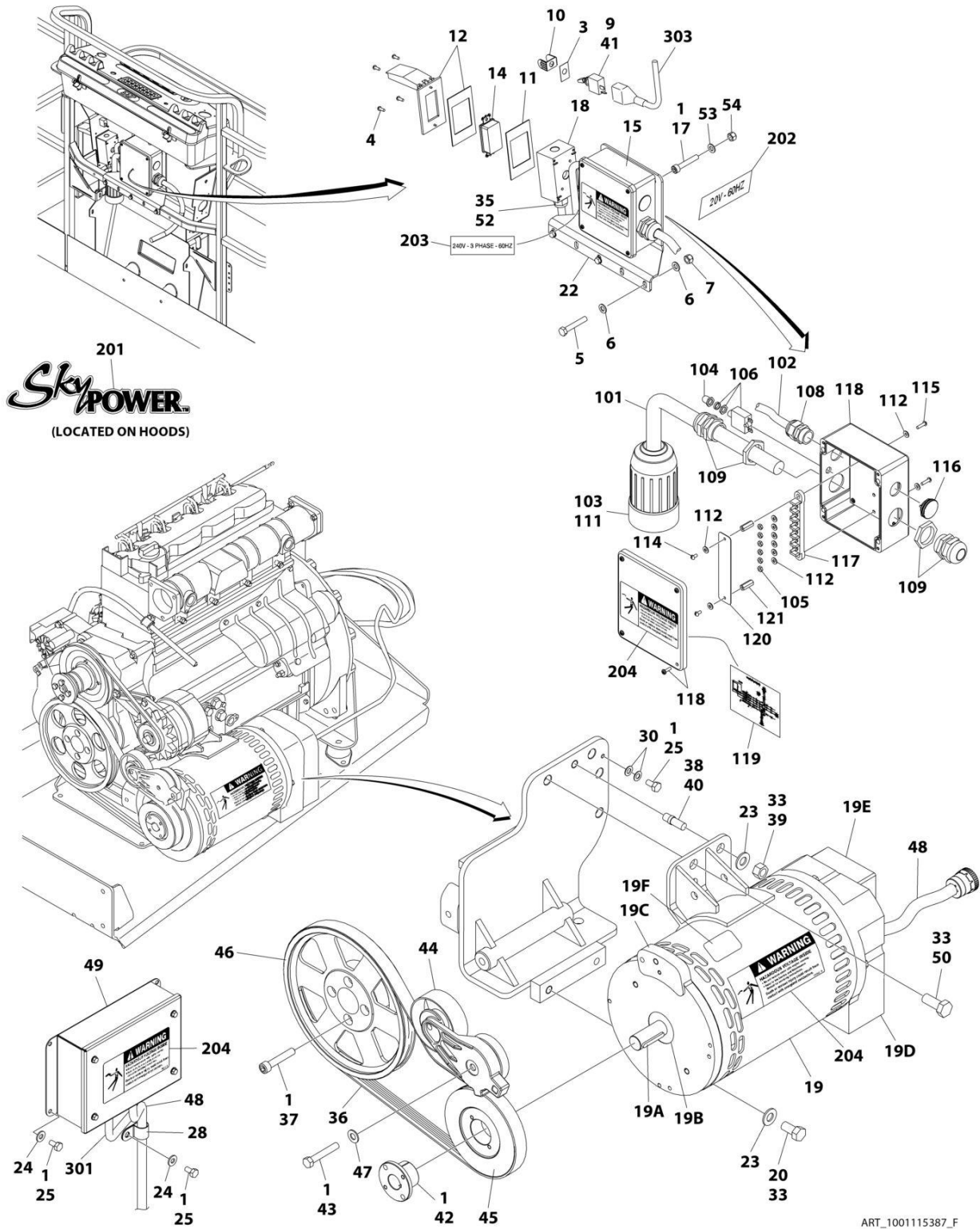
| ITEM | PART NUMBER | QTY | DESCRIPTION | REV |
|------|-------------|-----|--|-----|
| | 1001141422 | Ref | 7500W SKYPOWER GENERATOR INSTALLATION | F |
| 1 | 0100011 | AR | Compound, Locking | |
| 2 | 0100019 | AR | Compound, Locking | |
| 3 | 0100048 | AR | Compound Terminal | |
| 4 | 0641404 | 6 | Bolt 1/4 x 1/2 | |
| 5 | 3931016 | 4 | Capscrew #10 x 1 | |
| 6 | 0641516 | 3 | Bolt 5/16 x 2 | |
| 8 | 0641808 | 2 | Bolt 1/2 x 1 | |
| 9 | 0741607 | 3 | Screw 3/8 x 7/8 | |
| 10 | 1001157525 | 1 | Junction Box Assembly (See Items 101 - 117 for Breakdown) | |
| 11 | 0861572 | 1 | Control Box Assembly | |
| 11 | 0860038 | 1 | Box, Receptacle | |
| 11 | 7024488 | 1 | Card, Circuit - Generator Power | |
| 11 | See Note | NSS | Fuse (Note: Not Available - Purchase Locally) | |
| 11 | 7024489 | 1 | Card, Circuit - Control | |
| 11 | 70000619 | 1 | Harness, Control Box (Internal) | |
| 11 | | Ref | Note: Same Circuit Card (P/N 7024489) is used for both 60Hz and 50Hz. When replacing card, rocker switch on card must be set for required application. | |
| 12 | 0902888 | 1 | Bracket | |
| 13 | 0962520 | 1 | Bushing, Split | |
| 14 | 1320318 | 1 | Clamp | |
| 15 | 2820031 | AR | Heat Shrink | |
| 16 | 3252764 | 1 | Nameplate - AC & Weld | |
| 17 | 3311505 | 3 | Nut 5/16 | |
| 18 | 3311801 | 2 | Nut 1/2 | |
| 19 | 3580317 | 1 | Tensioner, Belt | |
| 20 | 3580319 | 1 | Pulley | |
| 21 | 4060802 | 1 | Guard, Switch | |
| 22 | 4240018 | AR | Tie - Strap (Not Shown) | |
| 23 | 1001163599 | 2 | Stud | |
| 24 | 4360336 | 1 | Switch, Toggle | |
| 25 | 4711400 | 5 | Washer 1/4 | |
| 26 | 4711500 | 6 | Washer 5/16 | |
| 27 | 4711600 | 1 | Washer 3/8 | |
| 28 | 4751000 | 4 | Washer #10 | |
| 29 | 4791400 | 2 | Washer 1/4 | |
| 30 | 4891800 | 4 | Washer 1/2 | |
| 31 | 4922925 | 1 | Generator to Control Box Harness (See Separate Breakdown in ELECTRICAL SECTION) | |
| 32 | | Ref | Wiring Diagram Components (Not Shown) | |
| 32A | 1001119968 | 1 | Generator to Engine Harness (See Separate Breakdown in ELECTRICAL SECTION) | |
| 32B | 4922641 | 1 | Generator On/Off Switch Harness | |
| 33 | 1001212223 | 1 | Generator Assembly | |
| 33 | 70001100 | 1 | Rotor (Includes p/n 70001384 & 70000863) (Not Shown) | |
| 33 | 70001384 | 1 | Bearing, Ball Radial (Not Shown) | |
| 33 | 70000863 | 1 | Fan (Not Shown) | |
| 33 | 70006093 | 1 | Stator (Not Shown) | |
| 33 | 70002297 | 1 | Stud | |

SECTION 3 - ENGINE

| ITEM | PART NUMBER | QTY | DESCRIPTION | REV |
|------|-------------|-----|--|-----|
| 33 | 70003631 | 1 | Brushholder Assembly (Not Shown) (was p/n 7024484) | |
| 33A | 70004099 | 1 | Key | |
| 33B | 70001966 | 1 | Bearing, Ball Radial (Located in Belt Tensioner Endbell) | |
| 33B | 70003708 | 1 | Ring, Internal Retaining (Located in Belt Tensioner Endbell) | |
| 33B | 70003709 | 1 | Ring, External Retaining (Located in Belt Tensioner Endbell) | |
| 33C | 70004092 | 1 | Endbell, Belt Tensioner | |
| 33D | 70004094 | 1 | Endbell, Brush Block | |
| 33E | 70006094 | 1 | Shroud | |
| 33E | 70002291 | 1 | Insulator, Endbell | |
| 33E | 7027799 | 1 | Block, Connector - 6 Position (Not Shown) | |
| 33E | 70002460 | 1 | Nut, Brass (Attaches p/n 7027799 to Cover) (Not Shown) | |
| 33E | 70006095 | 1 | Breaker, Circuit 30Amp (Not Shown) | |
| 33E | 70006096 | 1 | Boot, Breaker (Not Shown) | |
| 33E | 7026626 | 1 | Connector, 6 Position (Includes Seal) (Not Shown - Plugs into Item 45) | |
| 33E | 7026597 | 1 | Connector with Leads (Not Shown) | |
| 33E | 70004098 | 1 | Clamp, Cable (Not Shown) | |
| 33E | 70006097 | 1 | Plate, End Panel | |
| 33E | 70001974 | 1 | Decal - Terminal Connections | |
| 33F | 70001973 | 1 | Decal - Warning Moving Parts | |
| 36 | 1001142643 | 1 | Support | |
| 37 | 1001142645 | 1 | Belt | |
| 38 | 0641616 | 1 | Bolt 3/8 x 2 | |
| 39 | 3311005 | 4 | Nut #10 | |
| | 1001157525 | Ref | JUNCTION BOX ASSEMBLY | B |
| 101 | 3300396 | 1 | Cover, Fuse | |
| 102 | 3311001 | 6 | Nut #10 | |
| 103 | 3520189 | 1 | Plug | |
| 104 | 3520192 | 1 | Plug | |
| 105 | 4360070 | 1 | Circuit Breaker - 15Amp | |
| 106 | 4460425 | 1 | Connector, Strain Relief | |
| 107 | 4460426 | 2 | Connector, Strain Relief | |
| 109 | 4711000 | 10 | Washer #10 | |
| 110 | 10702077 | 2 | Screw #10 x 3/8 | |
| 111 | 10702082 | 2 | Screw #10 x 3/4 | |
| 112 | 1001152525 | 1 | Plug | |
| 113 | 1001152520 | 1 | Block, Terminal | |
| 114 | 1001157521 | 1 | Box, Junction | |
| 115 | 1001157528 | 1 | Decal - Wiring Schematic | |
| 116 | 1001158007 | 1 | Cover, PVC | |
| 117 | 1001158008 | 2 | Stand-Off | |
| | 0272589 | Ref | DECAL INSTALLATION | A |
| 201 | 1705460 | 2 | Decal - SkyPower | |
| 202 | 1705461 | 1 | Decal - 240V - 3 Phase - 50Hz | |
| 203 | 1705489 | 3 | Decal - Hazardous Voltage | |

SECTION 3 - ENGINE

FIGURE 3-64. 7500W/60HZ SKYPOWER GENERATOR INSTALLATION - DEUTZ D2011 ENGINES



SECTION 3 - ENGINE

FIGURE 3-64. 7500W/60HZ SKYPOWER GENERATOR INSTALLATION - DEUTZ D2011 ENGINES

| ITEM | PART NUMBER | QTY | DESCRIPTION | REV |
|------|-------------|-----|--|-----|
| | 1001115387 | Ref | 7500W 60HZ SKYPOWER GENERATOR INSTALLATION - DEUTZ D2011 ENGINE MACHINES | F |
| 1 | 0100011 | AR | Compound, Locking | |
| 3 | 3252764 | 1 | Nameplate | |
| 4 | 3910606 | 4 | Screw #6 x 3/8 | |
| 5 | 0641516 | 3 | Bolt 5/16 x 2 | |
| 6 | 4751500 | 3 | Washer 5/16 | |
| 7 | 3311508 | 3 | Nut 5/16 | |
| 9 | 4360336 | 1 | Switch, Toggle | |
| 10 | 4060802 | 1 | Guard, Switch | |
| 11 | 3960422 | 1 | Gasket | |
| 12 | 1001110873 | 1 | Cover, Receptacle (60Hz Specs) | |
| 14 | 4460346 | 1 | Receptacle, Female | |
| 15 | 1001157592 | 1 | Junction Box Assembly (See Items 101-124 for Breakdown) | |
| 17 | 3931016 | 4 | Capscrew 3/8 x 1 | |
| 18 | 0860038 | 1 | Box, Switch | |
| 19 | 2460048 | 1 | Generator Assembly (Deutz D2011 Engines) | |
| 19 | 70001100 | 1 | Rotor (Includes p/n 70001384 & 70000863) (Not Shown) | |
| 19 | 70001384 | 1 | Bearing, Ball Radial (Not Shown): | |
| 19 | 70000863 | 1 | Fan (Not Shown) | |
| 19 | 70002088 | 1 | Stator | |
| 19 | 70002297 | 1 | Stud | |
| 19 | 7024484 | NLA | Brushholder Assembly (Not Shown) (Use p/n 70003631) | |
| 19A | 7024561 | NLA | Key - 2460048 Generator (Use p/n 70004171) | |
| 19B | 70001966 | 1 | Bearing, Ball Radial (Located in Belt Tensioner Endbell) | |
| 19B | 70003708 | 1 | Ring, Internal Retaining (Located in Belt Tensioner Endbell) | |
| 19B | 70003709 | 1 | Ring, External Retaining (Located in Belt Tensioner Endbell) | |
| 19C | 70001953 | 1 | Endbell, Belt Tensioner | |
| 19D | 70001385 | NLA | Endbell, Brush Block - (Use p/n 70004169) | |
| 19E | 70002290 | NLA | Shroud - (Use p/n 70004169) | |
| 19E | See Note | NSS | Insulator, Endbell (Note: Not Available for Purchase) | |
| 19E | 7027799 | 1 | Block, Connector 6 Position (Not Shown) | |
| 19E | 70002460 | 1 | Nut, Brass (Attaches p/n 7027799 to Cover) (Not Shown) | |
| 19E | 7024485 | 1 | Breaker, Circuit 30Amp (Not Shown) | |
| 19E | 70006095 | 1 | Breaker - 1001212223 Generator | |
| 19E | 70001696 | 1 | Boot, Breaker (Not Shown): | |
| 19E | 7026626 | 1 | Connector, 6 Position (Includes Seal) (Not Shown - Plugs into Item 36) | |
| 19E | 7026597 | 1 | Connector, W/Leads (Not Shown) | |
| 19E | 7026188 | 1 | Clamp, Cable (Not Shown) | |
| 19E | 70004169 | 1 | Plate, End Panel: | |
| 19E | 70001974 | 1 | Decal - Terminal Connections | |
| 19F | 70001973 | 1 | Decal - Warning Moving Parts | |
| 20 | 0641808 | 2 | Bolt 1/2 x 1 | |
| 22 | 0902888 | 1 | Bracket, Box Mounting | |
| 23 | 4711800 | 3 | Washer 1/2 | |
| 24 | 4711400 | 5 | Washer 1/4 | |
| 25 | 0641404 | 6 | Bolt 1/4 x 1/2 | |
| 28 | 1320318 | 1 | Clamp | |
| 29 | 4240018 | AR | Tie-Strap (Not Shown) | |

SECTION 3 - ENGINE

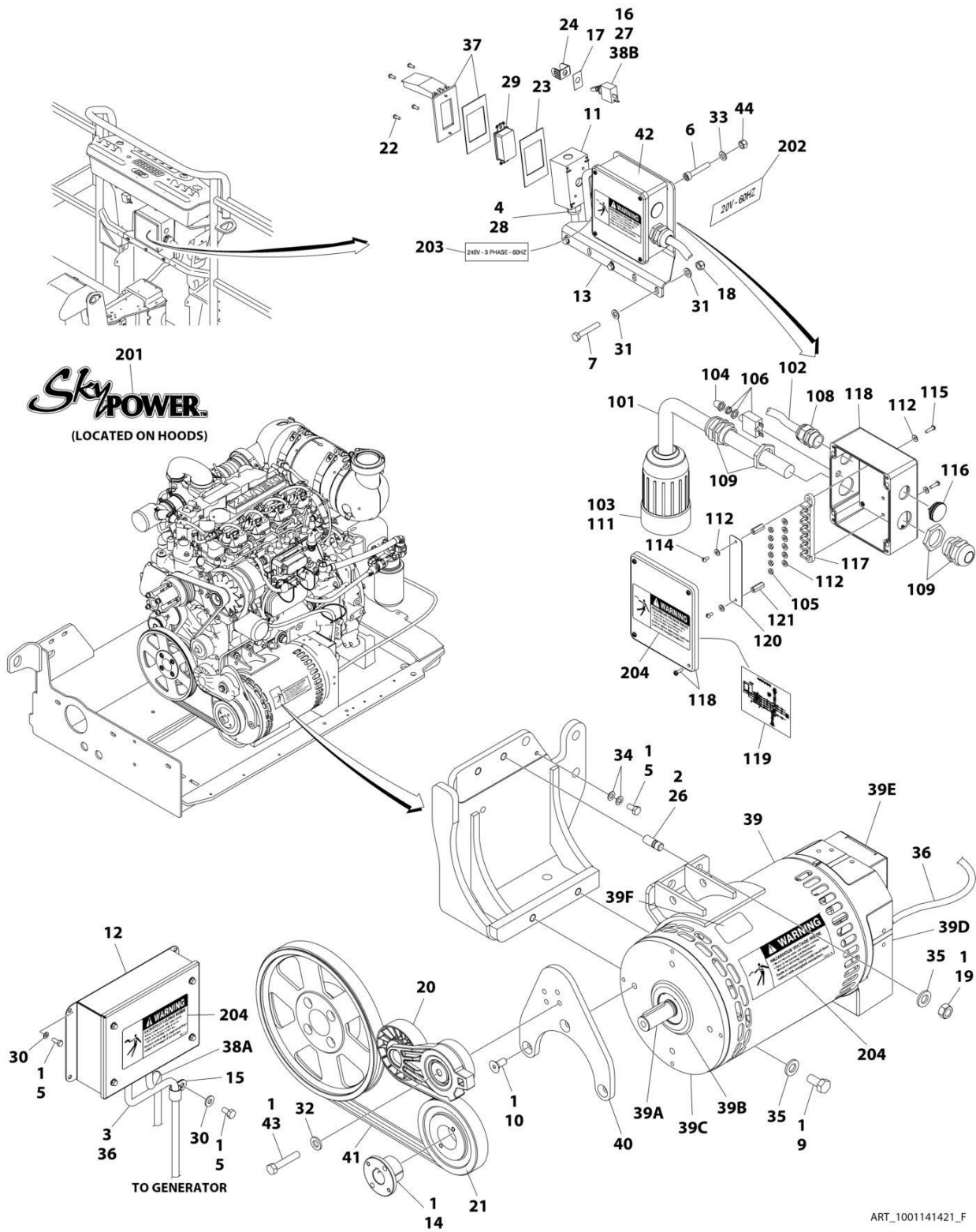
| ITEM | PART NUMBER | QTY | DESCRIPTION | REV |
|------|-------------|-----------------|--|-----|
| 30 | 4791400 | 2 | Washer 1/4 | |
| 33 | 0100019 | AR | Compound, Locking | |
| 35 | 4460071 | 1 | Connector, Strain Relief | |
| 36 | 0480129 | 1 | Belt, Drive | |
| 37 | 4032015 | 4 | Capscrew M10 x 55 | |
| 38 | 4300157 | 1 | Stud | |
| 39 | 3311801 | 1 | Nut 1/2-13 | |
| 40 | 0100062 | AR | Compound, Locking | |
| 41 | 2820031 | 1 | Insulator | |
| 42 | 0962520 | 1 | Bushing, Split Taper | |
| 43 | 0641618 | 1 | Bolt 3/8 x 2-1/4 | |
| 44 | 3580317 | 1 | Tensioner, Belt | |
| 45 | 3580318 | 1 | Pulley | |
| 46 | 3580320 | 1 | Pulley | |
| 47 | 4711600 | 1 | Washer 3/8 | |
| 48 | 4922925 | 1 | Generator to Control Box Harness (See Separate Breakdown in ELECTRICAL SECTION) | |
| 49 | 0861538 | 1 | Control Box Assembly | |
| 49 | 7024488 | 1 | Card, Circuit - Generator Power | |
| 49 | See Note | 1 | Fuse (Note: Not Available - Purchase Locally) | |
| 49 | 70000619 | 1 | Harness, Control Box (Internal) | |
| 49 | 7024489 | 1 | Card, Circuit - Control | |
| 49 | | Ref | Note: Same Circuit Card (P/N 7024489) is used for both 60Hz & 50Hz Specs. When replacing card, rocker switch on card must be set for required application. | |
| 50 | 0771415 | 1 | Bolt M14 x 35 Grade 10.9 | |
| 52 | 0100020 | AR | Sealant | |
| 53 | 4751000 | 4 | Washer #10 | |
| 54 | 3311005 | 4 | Nut #10 | |
| | 1001157592 | Ref | JUNCTION BOX ASSEMBLY | C |
| 101 | 1060343 | 1.5 ft /.46m | Cable, Electrical 10/4 | |
| 102 | 1001179154 | 2.5 ft /.76m | Cable, Electrical 12/3 | |
| 103 | 1671092 | 1 | Cover | |
| 104 | 3300396 | 1 | Cover, Fuse | |
| 105 | 3311001 | 6 | Nut #10 | |
| 106 | 4360070 | 1 | Circuit Breaker - 15 Amp | |
| 108 | 4460425 | 1 | Connector, Strain Relief | |
| 109 | 4460426 | 2 | Connector, Strain Relief | |
| 111 | 4460963 | 1 | Connector | |
| 112 | 4711000 | 4 | Washer #10 | |
| 114 | 10702077 | 2 | Screw #10 x 3/8 | |
| 115 | 10702082 | 2 | Screw #10 x 3/4 | |
| 116 | 1001152525 | 1 | Plug | |
| 117 | 1001157520 | 1 | Block, Terminal | |
| 118 | 1001157521 | 1 | Box, Junction | |
| 119 | 1001157528 | 1 | Decal - Wiring Schematic | |
| 120 | 1001158007 | 1 | Cover, PVC | |
| 121 | 1001158008 | 1 | Stand-Off | |
| | 0272435 | Ref | DECAL INSTALLATION | D |
| 201 | 1705460 | 2 | Decal - SkyPower | |

SECTION 3 - ENGINE

| ITEM | PART NUMBER | QTY | DESCRIPTION | REV |
|------|-------------|-----|--|-----|
| 202 | 3251243 | 1 | Decal - 120V - 60Hz (Not Shown - Located on Platform Receptacle) | |
| 203 | 1705375 | 1 | Decal - 240V - 3 Phase | |
| 204 | 1705387 | 3 | Decal, Hazardous Voltage | |
| | 1001157769 | Ref | ELECTRICAL DIAGRAM COMPONENTS | B |
| 301 | 1001152429 | 1 | Generator Harness (See Separate Breakdown in ELECTRICAL SECTION) | C |
| 303 | 4922641 | 1 | Switch Harness | |

SECTION 3 - ENGINE

FIGURE 3-65. 7500W/60HZ SKYPOWER GENERATOR INSTALLATION - DEUTZ TD2.9L4 ENGINES



ART_1001141421_F

SECTION 3 - ENGINE

FIGURE 3-65. 7500W/60HZ SKYPOWER GENERATOR INSTALLATION - DEUTZ TD2.9L4 ENGINES

| ITEM | PART NUMBER | QTY | DESCRIPTION | REV |
|------|-------------|-----|--|-----|
| | 1001141421 | Ref | 7500W SKYPOWER GENERATOR INSTALLATION | F |
| 1 | 0100011 | AR | Compound, Locking | |
| 2 | 0100019 | AR | Compound, Locking | |
| 3 | 0100048 | AR | Compound Terminal | |
| 4 | 0100079 | AR | Sealant | |
| 5 | 0641404 | 6 | Bolt 1/4 x 1/2 | |
| 6 | 3931016 | 4 | Capscrew #10 x 1 | |
| 7 | 0641516 | 3 | Bolt 5/16 x 2 | |
| 9 | 0641808 | 2 | Bolt 1/2 x 1 | |
| 10 | 0741607 | 3 | Screw 3/8 x 7/8 | |
| 11 | 0860038 | 1 | Box, Receptacle | |
| 12 | 0861538 | 1 | Control Box Assembly | |
| 12 | 7024488 | 1 | Card, Circuit - Generator Power | |
| 12 | See Note | NSS | Fuse (Note: Not Available - Purchase Locally) | |
| 12 | 7024489 | 1 | Card, Circuit - Control | |
| 12 | 70000619 | 1 | Harness, Control Box (Internal) | |
| | | Ref | Note: Same Circuit Card (P/N 7024489) is used for both 60Hz and 50Hz. When replacing card, rocker switch on card must be set for required application. | |
| 13 | 0902888 | 1 | Bracket | |
| 14 | 0962520 | 1 | Bushing, Split | |
| 15 | 1320318 | 1 | Clamp | |
| 16 | 2820031 | AR | Heat Shrink | |
| 17 | 3252764 | 1 | Nameplate - AC & Weld | |
| 18 | 3311505 | 3 | Nut 5/16 | |
| 19 | 3311801 | 2 | Nut 1/2 | |
| 20 | 3580317 | 1 | Tensioner, Belt | |
| 21 | 3580318 | 1 | Pulley | |
| 22 | 3910606 | 4 | Screw #6 x 3/8 | |
| 23 | 3960422 | 1 | Gasket | |
| 24 | 4060802 | 1 | Guard, Switch | |
| 25 | 4240018 | AR | Tie - Strap (Not Shown) | |
| 26 | 1001163599 | 2 | Stud | |
| 27 | 4360336 | 1 | Switch, Toggle | |
| 28 | 4460071 | 1 | Connector, Strain Relief | |
| 29 | 4460346 | 1 | Receptacle | |
| 30 | 4711400 | 5 | Washer 1/4 | |
| 31 | 4711500 | 6 | Washer 5/16 | |
| 32 | 4711600 | 1 | Washer 3/8 | |
| 33 | 4751000 | 4 | Washer #10 | |
| 34 | 4791400 | 2 | Washer 1/4 | |
| 35 | 4891800 | 4 | Washer 1/2 | |
| 36 | 4922925 | 1 | Generator to Control Box Harness (See Separate Breakdown in ELECTRICAL SECTION) | |
| 37 | 1001110873 | 1 | Cover | |
| 38 | | Ref | Wiring Diagram Components (Not Shown) | |
| 38A | 1001119968 | 1 | Generator to Engine Harness (See Separate Breakdown in ELECTRICAL SECTION) | |
| 38B | 4922641 | 1 | Generator ON/OFF Switch Harness | |
| 39 | 1001212223 | 1 | Generator Assembly | |

SECTION 3 - ENGINE

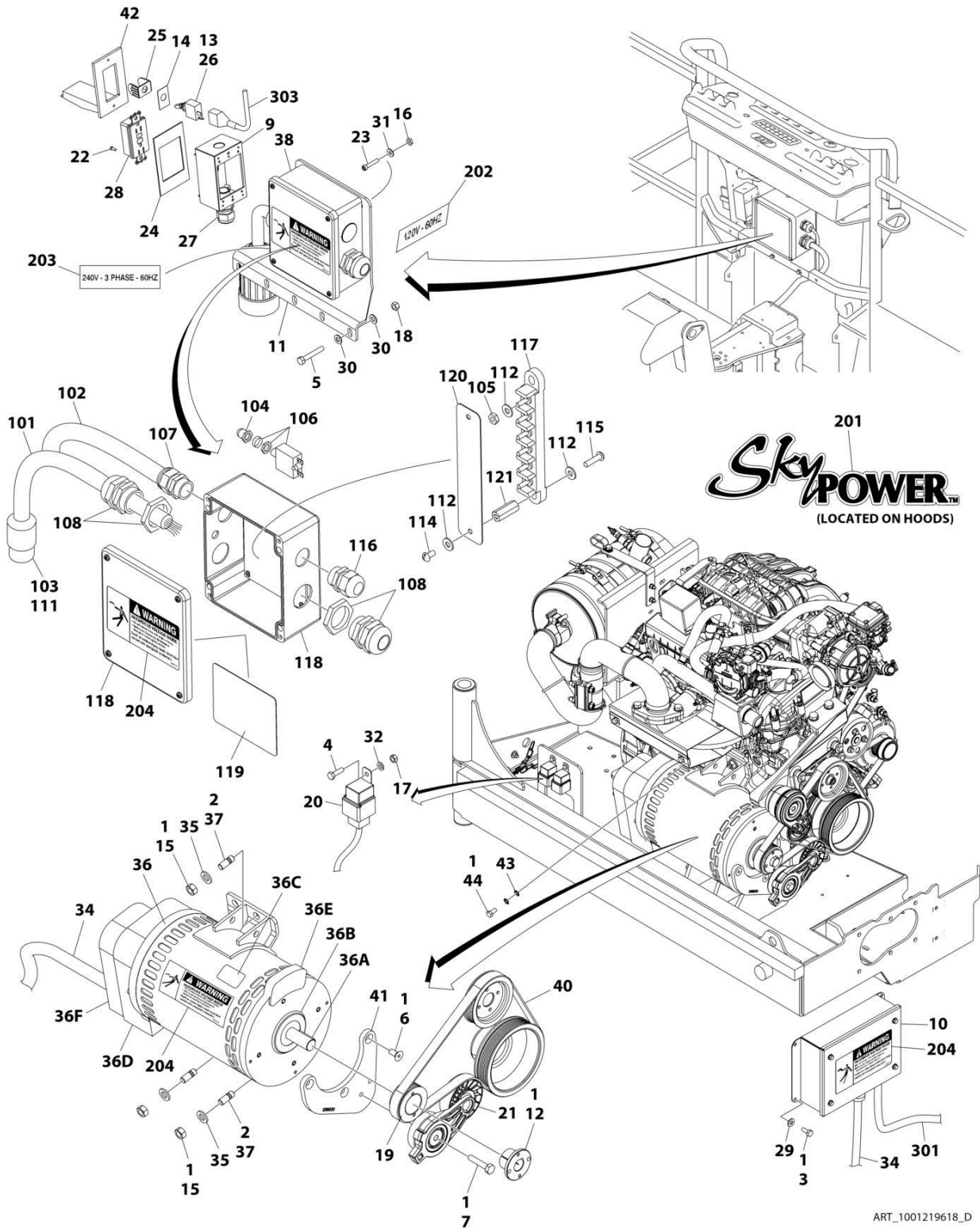
| ITEM | PART NUMBER | QTY | DESCRIPTION | REV |
|------|-------------|-----------------|--|-----|
| 39 | 70001100 | 1 | Rotor (Includes p/n 70001384 & 70000863) (Not Shown) | |
| 39 | 70001384 | 1 | Bearing, Ball Radial (Not Shown) | |
| 39 | 70000863 | 1 | Fan (Not Shown) | |
| 39 | 70006093 | 1 | Stator (Not Shown) | |
| 39 | 70002297 | 1 | Stud | |
| 39 | 70003631 | 1 | Brushholder Assembly (Not Shown) (was p/n 7024484) | |
| 39A | 70004099 | 1 | Key | |
| 39B | 70001966 | 1 | Bearing, Ball Radial (Located in Belt Tensioner Endbell) | |
| 39B | 70003708 | 1 | Ring, Internal Retaining (Located in Belt Tensioner Endbell) | |
| 39B | 70003709 | 1 | Ring, External Retaining (Located in Belt Tensioner Endbell) | |
| 39C | 70004092 | 1 | Endbell, Belt Tensioner | |
| 39D | 70004094 | 1 | Endbell, Brush Block | |
| 39E | 70006094 | 1 | Shroud | |
| 39E | 70002291 | 1 | Insulator, Endbell | |
| 39E | 7027799 | 1 | Block, Connector - 6 Position (Not Shown) | |
| 39E | 70002460 | 1 | Nut, Brass (Attaches p/n 7027799 to Cover) (Not Shown) | |
| 39E | 70006095 | 1 | Breaker, Circuit 30Amp (Not Shown) | |
| 39E | 70006096 | 1 | Boot, Breaker (Not Shown) | |
| 39E | 7026626 | 1 | Connector, 6 Position (Includes Seal) (Not Shown - Plugs into Item 45) | |
| 39E | 7026597 | 1 | Connector with Leads (Not Shown) | |
| 39E | 70004098 | 1 | Clamp, Cable (Not Shown) | |
| 39E | 70006097 | 1 | Plate, End Panel | |
| 39E | 70001974 | 1 | Decal - Terminal Connections | |
| 39F | 70001973 | 1 | Decal - Warning Moving Parts | |
| 40 | 1001142643 | 1 | Support | |
| 41 | 1001142646 | 1 | Belt | |
| 42 | 1001157592 | 1 | Junction Box Assembly (See Items 101-121 for Breakdown) | |
| 43 | 0641616 | 1 | Bolt 3/8 x 2 | |
| 44 | 3311005 | 4 | Nut #10 | |
| | 1001157592 | Ref | JUNCTION BOX ASSEMBLY | C |
| 101 | 1060343 | 1.5 ft/ 0.5m | Cable, Electrical 10/4 | |
| 102 | 1001179154 | 2.5 ft/ 76cm | Cable, Electrical 12/3 | |
| 103 | 1671092 | 1 | Cover, Connector | |
| 104 | 3300396 | 1 | Cover, Fuse | |
| 105 | 3311001 | 6 | Nut #10 | |
| 106 | 4360070 | 1 | Circuit Breaker - 15Amp | |
| 108 | 4460425 | 1 | Connector, Strain Relief | |
| 109 | 4460426 | 2 | Connector, Strain Relief | |
| 111 | 4460963 | 1 | Connector | |
| 112 | 4711000 | 4 | Washer #10 | |
| 114 | 10702077 | 2 | Screw #10 x 3/8 | |
| 115 | 10702082 | 2 | Screw #10 x 3/4 | |
| 116 | 1001152525 | 1 | Plug | |
| 117 | 1001157520 | 1 | Block, Terminal | |
| 118 | 1001157521 | 1 | Box, Junction | |
| 119 | 1001157528 | 1 | Decal - Wiring Schematic | |
| 120 | 1001158007 | 1 | Cover, PVC | |
| 121 | 1001158008 | 1 | Stand-Off | |
| | 0272435 | Ref | DECAL INSTALLATION | D |

SECTION 3 - ENGINE

| ITEM | PART NUMBER | QTY | DESCRIPTION | REV |
|------|-------------|-----|-------------------------------|-----|
| 201 | 1705460 | 2 | Decal - SkyPower | |
| 202 | 3251243 | 1 | Decal - 120V-60Hz | |
| 203 | 1705375 | 1 | Decal - 240V - 3 Phase - 60Hz | |
| 204 | 1705387 | 3 | Decal - Hazardous Voltage | |

SECTION 3 - ENGINE

FIGURE 3-66. 7500W/60HZ SKYPOWER GENERATOR INSTALLATION - FORD ENGINES



SECTION 3 - ENGINE

FIGURE 3-66. 7500W/60HZ SKYPOWER GENERATOR INSTALLATION - FORD ENGINES

| ITEM | PART NUMBER | QTY | DESCRIPTION | REV |
|------|-------------|-----|--|-----|
| | 1001219618 | Ref | 7500W SKYPOWER GENERATOR INSTALLATION - FORD ENGINES | D |
| | | Ref | Note: See ELECTRICAL SECTION for Boom Cable Components. | |
| 1 | 0100011 | AR | Compound, Locking | |
| 2 | 0100019 | AR | Compound, Locking | |
| 3 | 0641405 | 4 | Bolt 1/4 x 5/8 | |
| 4 | 0760610 | 2 | Bolt M6 x 20 | |
| 5 | 0641516 | 3 | Bolt 5/16 x 2 | |
| 6 | 0741607 | 3 | Screw 3/8 x 7/8 | |
| 7 | 0761018 | 1 | Bolt M10 x 50 | |
| 9 | 0860038 | 1 | Box, Switch | |
| 10 | 0861538 | 1 | Control Box Assembly | |
| 10 | 7024488 | 1 | Card, Circuit - Generator Power | |
| 10 | See Note | 1 | Fuse (Note: Not Available - Purchase Locally) | |
| 10 | 7024489 | 1 | Card, Circuit - Control | |
| 10 | 70000619 | 1 | Harness, Circuit Card | |
| 11 | 0902888 | 1 | Bracket, Box Mounting | |
| 12 | 0962520 | 1 | Bushing, Split Taper | |
| 13 | 2820031 | 1 | Heat Shrink | |
| 14 | 3252764 | 1 | Nameplate - AC & Weld | |
| 15 | 3291201 | 4 | Nut M12 | |
| 16 | 3311005 | 4 | Nut #10 | |
| 17 | 3290601 | 2 | Nut M6 | |
| 18 | 3311505 | 3 | Nut 5/16 | |
| 19 | 3580314 | 1 | Pulley | |
| 20 | 3740080 | 2 | Relay | |
| 21 | 3580317 | 1 | Tensioner, Belt | |
| 22 | 3910606 | 2 | Screw #6 x 3/8 | |
| 23 | 3931016 | 4 | Capscrew #10 x 1 | |
| 24 | 3960422 | 1 | Gasket | |
| 25 | 4060802 | 1 | Guard, Switch | |
| 26 | 4360336 | 1 | Switch, Toggle | |
| 27 | 4460071 | 1 | Connector, Strain Relief | |
| 28 | 4460346 | 1 | Receptacle | |
| 29 | 4711400 | 4 | Washer 1/4 | |
| 30 | 4711500 | 6 | Washer 5/16 | |
| 31 | 4751000 | 4 | Washer #10 | |
| 32 | 4811700 | 2 | Washer M6 | |
| 34 | 4922925 | 1 | Harness, Generator | |
| 35 | 5241200 | 4 | Washer M12 | |
| 36 | 1001136104 | 1 | Generator Assembly | |
| 36 | 70003631 | 1 | Brushholder Assembly (Not Shown) (was p/n 7024484) | |
| 36 | 7024485 | 1 | Breaker, Circuit 30Amp (Not Shown) | |
| 36 | 70001696 | 1 | Boot, Breaker (was p/n 7024486 - Not Shown) | |
| 36 | 70001966 | 1 | Bearing, Ball Radial (Located In Belt Tensioner Endbell - Not Shown) | |
| 36 | 7027799 | 1 | Block, Connector 6 Position (Not Shown) | |
| 36 | 70002460 | 6 | Nut, Brass (Attaches p/n 7027799 to Cover) (Not Shown) | |
| 36 | 7026188 | 1 | Clamp, Cable (Not Shown) | |
| 36 | 7026597 | 1 | Connector, W/Leads (Not Shown) | |

SECTION 3 - ENGINE

| ITEM | PART NUMBER | QTY | DESCRIPTION | REV |
|------|-------------|------------------|--|-----|
| 36 | 7026626 | 1 | Connector - 6 Position with Seal (Not Shown) | |
| 36 | 70002088 | 1 | Stator (Not Shown) | |
| 36 | 70004169 | 1 | Panel, End (Not Shown) (was p/n 70002255) | |
| 36 | 70001974 | 1 | Decal - Terminal Connections (Not Shown) | |
| 36 | 70000863 | 1 | Fan (Not Shown) | |
| 36 | 70002297 | 4 | Stud (Not Shown) | |
| 36A | 70004171 | 1 | Key (was p/n 7024561) | |
| 36A | 70001100 | 1 | Armature, Generator (Includes Radial Ball Bearing on End with Brushes and Fan) | |
| 36A | 70001384 | 1 | Bearing, Ball Radial | |
| 36B | 70001966 | 1 | Bearing, Radial Ball | |
| 36B | 70003708 | 1 | Ring, Internal Retaining (Located in Belt Tensioner Endbell) | |
| 36B | 70003709 | 1 | Ring, External Retaining (Located in Belt Tensioner Endbell) | |
| 36C | 70001973 | 1 | Decal - Warning Moving Parts | |
| 36D | 70004169 | 1 | Endbell, Brush Block (was p/n 70001385) | |
| 36E | 70001953 | 1 | Endbell, Belt Tensioner | |
| 36F | 70004169 | 1 | Endbell, Shroud Assembly (was p/n 70002290) | |
| 37 | 1001196382 | 4 | Stud | |
| 38 | 1001157592 | 1 | Junction Box Assembly (See Items 101-121 for Breakdown) | |
| 40 | 1001216390 | 1 | V-Belt | |
| 41 | 1001218930 | 1 | Mount, Tensioner | |
| 42 | 1001110873 | 1 | Cover, Receptacle | |
| 43 | 4871700 | 2 | Washer M6 | |
| 44 | 0760606 | 1 | Bolt M6 x 12 | |
| | 1001157592 | Ref | JUNCTION BOX ASSEMBLY | C |
| 101 | 1060343 | 1.5 ft /0.46m | Cable, Electrical - 10/4 (60Hz Only) | |
| 102 | 1001179154 | 2.5 ft /0.76m | Cable Electrical - 12/3 | |
| 103 | 1671092 | 1 | Cover, Connector | |
| 104 | 3300396 | 1 | Cover, Fuse | |
| 105 | 3311001 | 6 | Nut #10 | |
| 106 | 4360070 | 1 | Breaker, Circuit 15Amp | |
| 107 | 4460425 | 1 | Connector, Strain Relief | |
| 108 | 4460426 | 2 | Connector, Strain Relief | |
| 111 | 4460963 | 1 | Receptacle | |
| 112 | 4711000 | 10 | Washer #10 | |
| 114 | 10702077 | 2 | Screw #10 x 3/8 | |
| 115 | 10702082 | 2 | Screw #10 x 3/4 | |
| 116 | 1001152525 | 1 | Plug, Hole | |
| 117 | 1001157520 | 1 | Block, Terminal Pole | |
| 118 | 1001157521 | 1 | Box, Junction | |
| 119 | 1001157528 | 1 | Decal - Box Junction | |
| 120 | 1001158007 | 1 | Cover | |
| 121 | 1001158008 | 2 | Standoff | |
| | 0272435 | Ref | DECAL INSTALLATION | D |
| 201 | 1705460 | 2 | Decal - SkyPower | |
| 202 | 3251243 | 1 | Decal - 120V - 60Hz (60Hz Spec Only) (Located on Opposite Side) | |
| 203 | 1705375 | 1 | Decal - 240V - 3 Phase | |
| 204 | 1705387 | 3 | Decal, Hazardous Voltage | |
| | 1001221498 | Ref | ELECTRICAL DIAGRAM COMPONENTS | B |
| 301 | 1001257972 | 1 | Generator to Engine Harness (See Separate Breakdown in | |

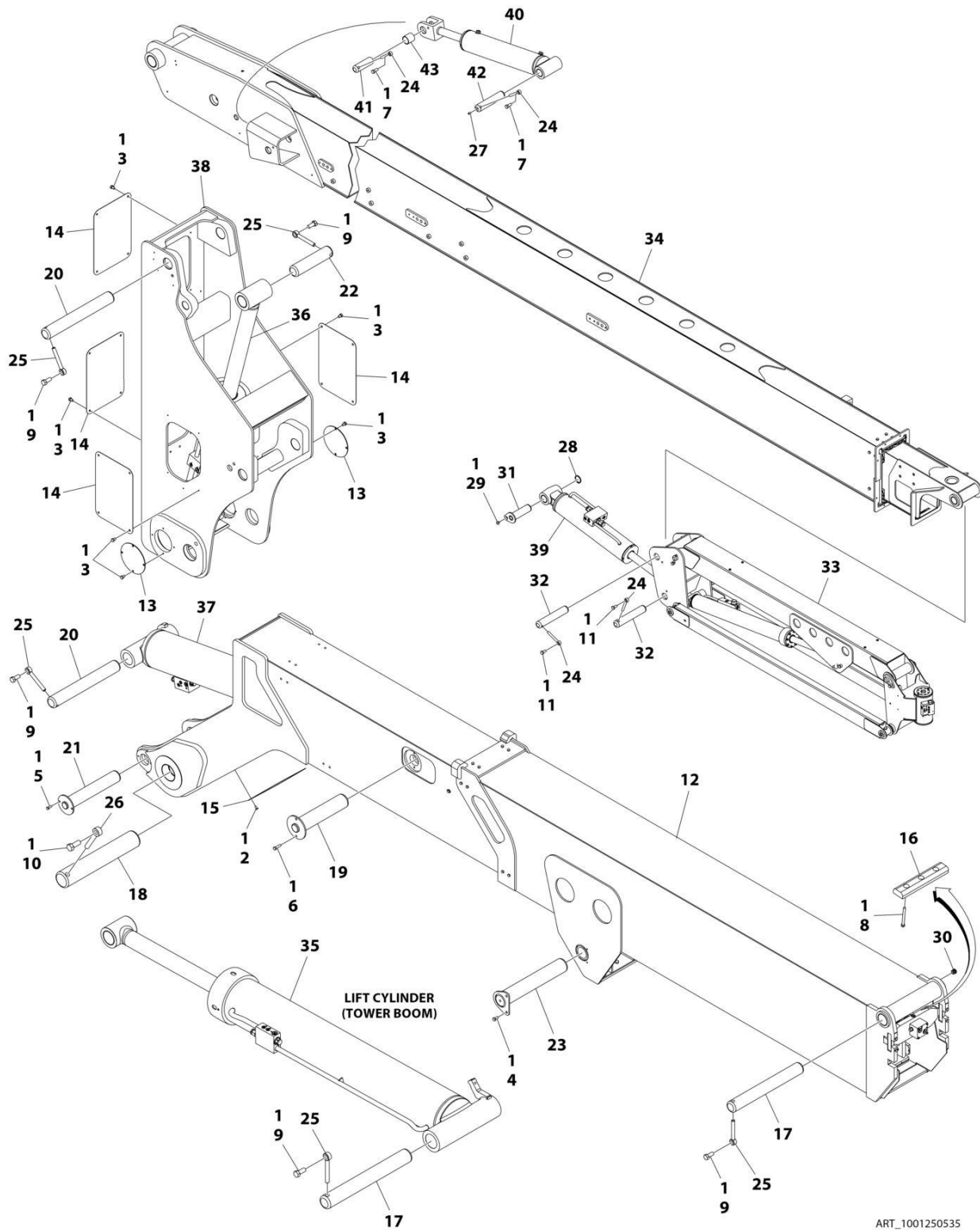
SECTION 3 - ENGINE

| ITEM | PART NUMBER | QTY | DESCRIPTION | REV |
|------|-------------|-----|--|-----|
| 303 | 4922641 | 1 | ELECTRICAL SECTION) Generator On/Off Switch Harness | |

SECTION 4 - BOOM

SECTION 4 - BOOM

FIGURE 4-1. BOOM AND CYLINDER INSTALLATION



ART_1001250535

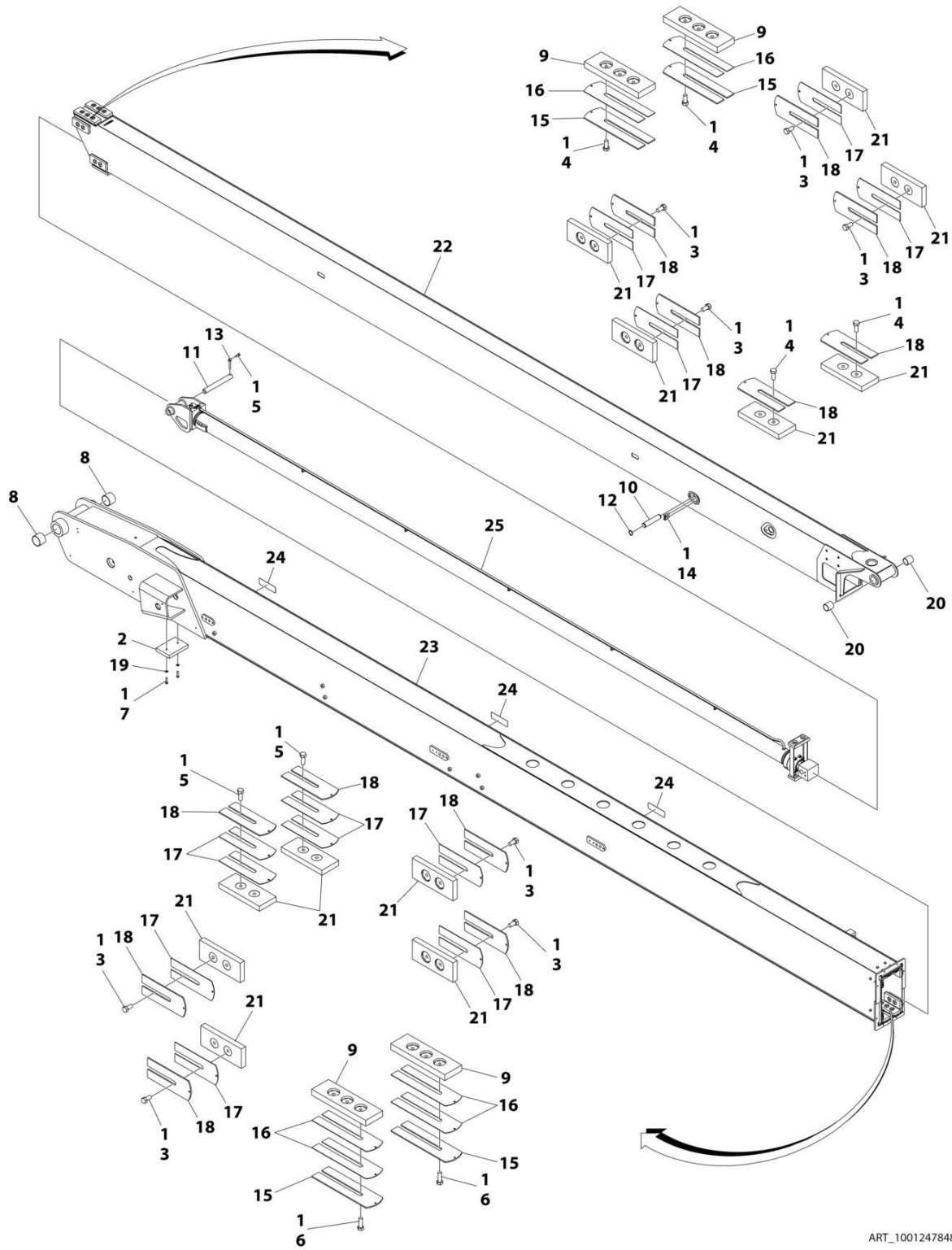
SECTION 4 - BOOM

FIGURE 4-1. BOOM AND CYLINDER INSTALLATION

| ITEM | PART NUMBER | QTY | DESCRIPTION | REV |
|------|-------------|-----|--|-----|
| | 1001250535 | Ref | BOOM AND CYLINDER INSTALLATION | B |
| 1 | 0100011 | AR | Compound, Locking | |
| 2 | 0641404 | 4 | Bolt 1/4 x 1/2 | |
| 3 | 0641604 | 24 | Bolt 3/8 x 1/2 | |
| 4 | 0641606 | 2 | Bolt 3/8 x 3/4 | |
| 5 | 0641608 | 2 | Bolt 3/8 x 1 | |
| 6 | 0641611 | 2 | Bolt 3/8 x 1-3/8 | |
| 7 | 0641810 | 2 | Bolt 1/2 x 1-1/4 | |
| 8 | 0641840 | 3 | Bolt 1/2 x 5 | |
| 9 | 0642214 | 5 | Bolt 3/4 x 1-3/4 | |
| 10 | 0642620 | 1 | Bolt 1 x 2-1/2 | |
| 11 | 0761212 | 2 | Bolt M12 | |
| 12 | 0801132 | 1 | Boom Assembly - Tower (See Separate Breakdown in this Section) | |
| 13 | 1120510 | 2 | Cover, Upright | |
| 14 | 1670844 | 4 | Cover, Upright | |
| 15 | 1670850 | 1 | Cover, Tower Fly | |
| 16 | 3340835 | 1 | Pad Rest | |
| 17 | 3422681 | 2 | Pin | |
| 18 | 3422683 | 1 | Pin | |
| 19 | 3422684 | 1 | Pin | |
| 20 | 3422685 | 2 | Pin | |
| 21 | 3422686 | 1 | Pin | |
| 22 | 3422687 | 1 | Pin | |
| 23 | 3422729 | 1 | Pin | |
| 24 | 3841203 | 4 | Keeper, Rod | |
| 25 | 3841287 | 5 | Keeper, Pin | |
| 26 | 3841356 | 1 | Keeper, Pin | |
| 27 | 3900239 | 1 | Set Screw | |
| 28 | 1001138671 | 1 | Ring, Snap | |
| 29 | 1001192027 | 1 | Bolt M10 | |
| 30 | 1001213705 | 1 | Cap | |
| 31 | 1001237142 | 1 | Pin | |
| 32 | 1001237949 | 2 | Pin | |
| 33 | 1001238331 | 1 | Jib Assembly (See Separate Breakdown in this Section) | |
| 34 | 1001247848 | 1 | Boom Assembly - Main (See Separate Breakdown in this Section) | |
| 35 | 1001251009 | 1 | Lift Cylinder Assembly - Tower Boom (See Separate Breakdown in CYLINDER SECTION) | |
| 36 | 1001251010 | 1 | Lift Cylinder Assembly - Main Boom (See Separate Breakdown in CYLINDER SECTION) | |
| 37 | 1001251041 | 1 | Level Cylinder Assembly - Upright (See Separate Breakdown in CYLINDER SECTION) | |
| 38 | 1001252315 | 1 | Upright | |
| 39 | 1001255320 | 1 | Lift Cylinder Assembly - Jib Level (See Separate Breakdown in CYLINDER SECTION) | |
| 40 | 1001255321 | 1 | Lift Cylinder Assembly - Master (See Separate Breakdown in CYLINDER SECTION) | |
| 41 | 1001256267 | 1 | Pin | |
| 42 | 1001257397 | 1 | Pin | |
| 43 | 1001118666 | 1 | Bearing | |

SECTION 4 - BOOM

FIGURE 4-2. MAIN BOOM ASSEMBLY



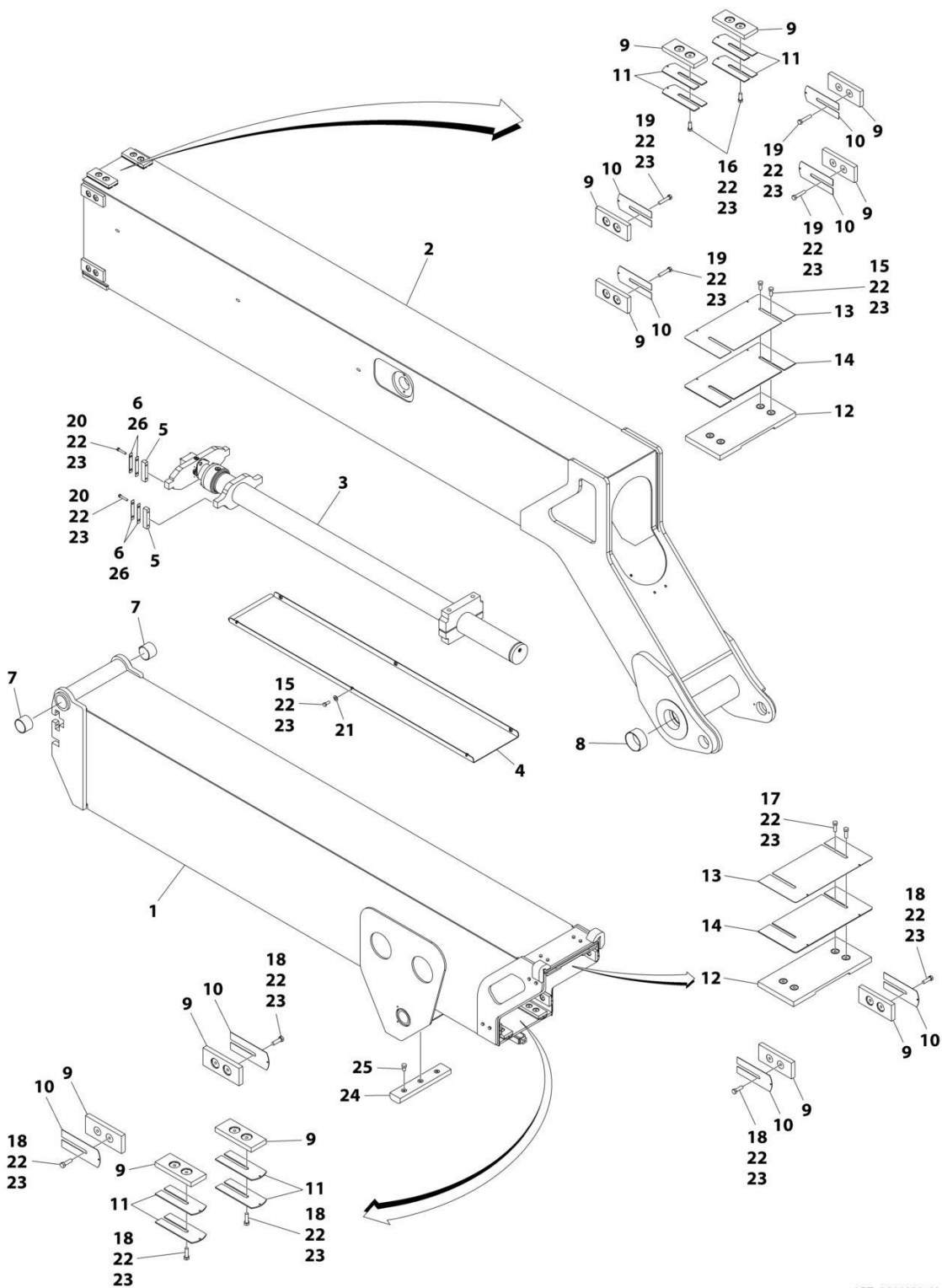
ART_1001247848

FIGURE 4-2. MAIN BOOM ASSEMBLY

| ITEM | PART NUMBER | QTY | DESCRIPTION | REV |
|------|-------------|-----|--|-----|
| | 1001247848 | Ref | MAIN BOOM ASSEMBLY | A |
| 1 | 0100011 | AR | Compound, Locking | |
| 2 | 0561295 | 1 | Block, Boom Rest | |
| 3 | 0641606 | 16 | Bolt 3/8 x 3/4 | |
| 4 | 0641607 | 10 | Bolt 3/8 x 7/8 | |
| 5 | 0641608 | 5 | Bolt 3/8 x 1 | |
| 6 | 0641609 | 6 | Bolt 3/8 x 1-1/8 | |
| 7 | 0641612 | 2 | Bolt 3/8 x 1-1/2 | |
| 8 | 0962102 | 2 | Bushing | |
| 9 | 3340871 | 4 | Pad, Wear | |
| 10 | 3422457 | 1 | Pin | |
| 11 | 3422690 | 1 | Pin | |
| 12 | 3760133 | 2 | Ring, Retaining | |
| 13 | 3841143 | 1 | Keeper, Pin | |
| 14 | 3900259 | 4 | Bolt, Shoulder | |
| 15 | 4070863 | 4 | Shim 1/8 | |
| 16 | 4070864 | 6 | Shim .05 | |
| 17 | 4070897 | 12 | Shim .05 | |
| 18 | 4070898 | 12 | Shim 1/8 | |
| 19 | 4711600 | 2 | Washer 3/8 | |
| 20 | 1001118666 | 2 | Bearing | |
| 21 | 1001148652 | 12 | Pad, Wear | |
| 22 | 1001247846 | 1 | Boom, Fly | |
| 23 | 1001247847 | 1 | Boom, Base | |
| 24 | 1001250737 | 3 | Cover | |
| 25 | 1001251087 | 1 | Cylinder Assembly - Telescope (Main Boom) (See Separate Breakdown in CYLINDER SECTION) | |

SECTION 4 - BOOM

FIGURE 4-3. TOWER BOOM ASSEMBLY



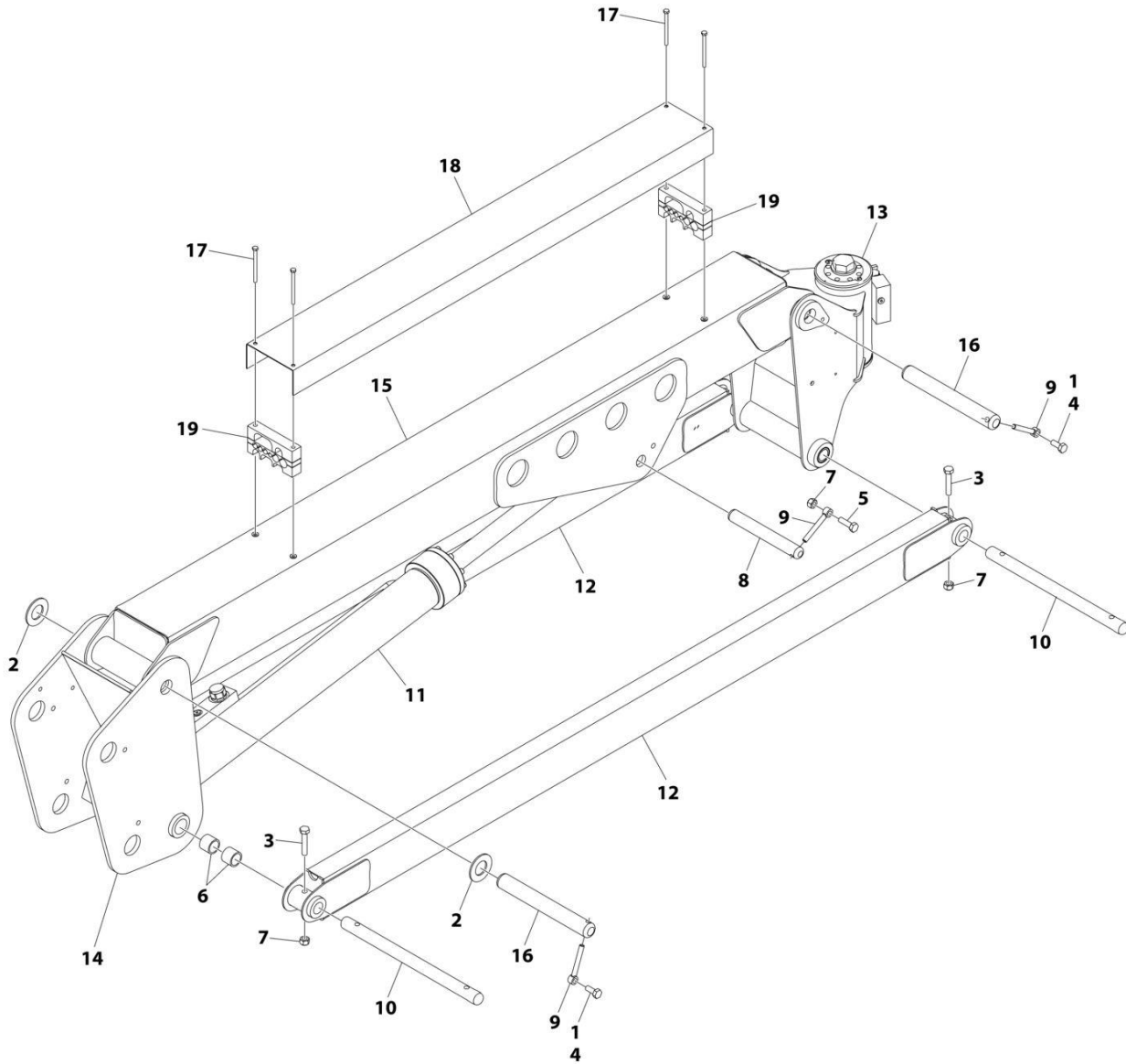
ART_0801132_H

FIGURE 4-3. TOWER BOOM ASSEMBLY

| ITEM | PART NUMBER | QTY | DESCRIPTION | REV |
|------|-------------|-----|--|-----|
| | 0801132 | Ref | TOWER BOOM ASSEMBLY | H |
| 1 | 0801594 | 1 | Base, Boom | |
| 2 | 0801496 | 1 | Fly, Boom | |
| 3 | 1001228086 | 1 | Tower Telescope Cylinder Assembly (See Separate Breakdown in CYLINDER Section) | |
| 4 | 4340706 | 1 | Support | |
| 5 | 0561185 | 4 | Block, Attach | |
| 6 | 4070929 | 4 | Shim 1/16 | |
| 7 | 0962102 | 2 | Bushing | |
| 8 | 0962122 | 2 | Bushing | |
| 9 | 3340881 | 12 | Pad, Wear | |
| 10 | 4070897 | 8 | Shim .05 | |
| 11 | 4070898 | 8 | Shim .12 | |
| 12 | 3340828 | 2 | Pad, Wear | |
| 13 | 4070967 | 2 | Shim .05 | |
| 14 | 4070968 | 2 | Shim .12 | |
| 15 | 0641607 | 10 | Bolt 3/8 x 7/8 | |
| 16 | 0641608 | 4 | Bolt 3/8 x 1 | |
| 17 | 0641609 | 4 | Bolt 3/8 x 1-1/8 | |
| 18 | 0641610 | 12 | Bolt 3/8 x 1-1/4 | |
| 19 | 0641615 | 8 | Bolt 3/8 x 1-7/8 | |
| 20 | 0641616 | 8 | Bolt 3/8 x 2 | |
| 21 | 4711600 | 6 | Washer 3/8 | |
| 22 | 0100011 | AR | Compound, Locking | |
| 23 | 0100038 | AR | Primer, Locking | |
| 24 | 3340835 | 1 | Pad, Boom Rest | |
| 25 | 0641806 | 3 | Bolt 1/2 x 3/4 | |
| 26 | 4071007 | 4 | Shim 20Ga | |

SECTION 4 - BOOM

FIGURE 4-4. JIB ASSEMBLY (Prior to SN 0300279215)



ART_1001238331

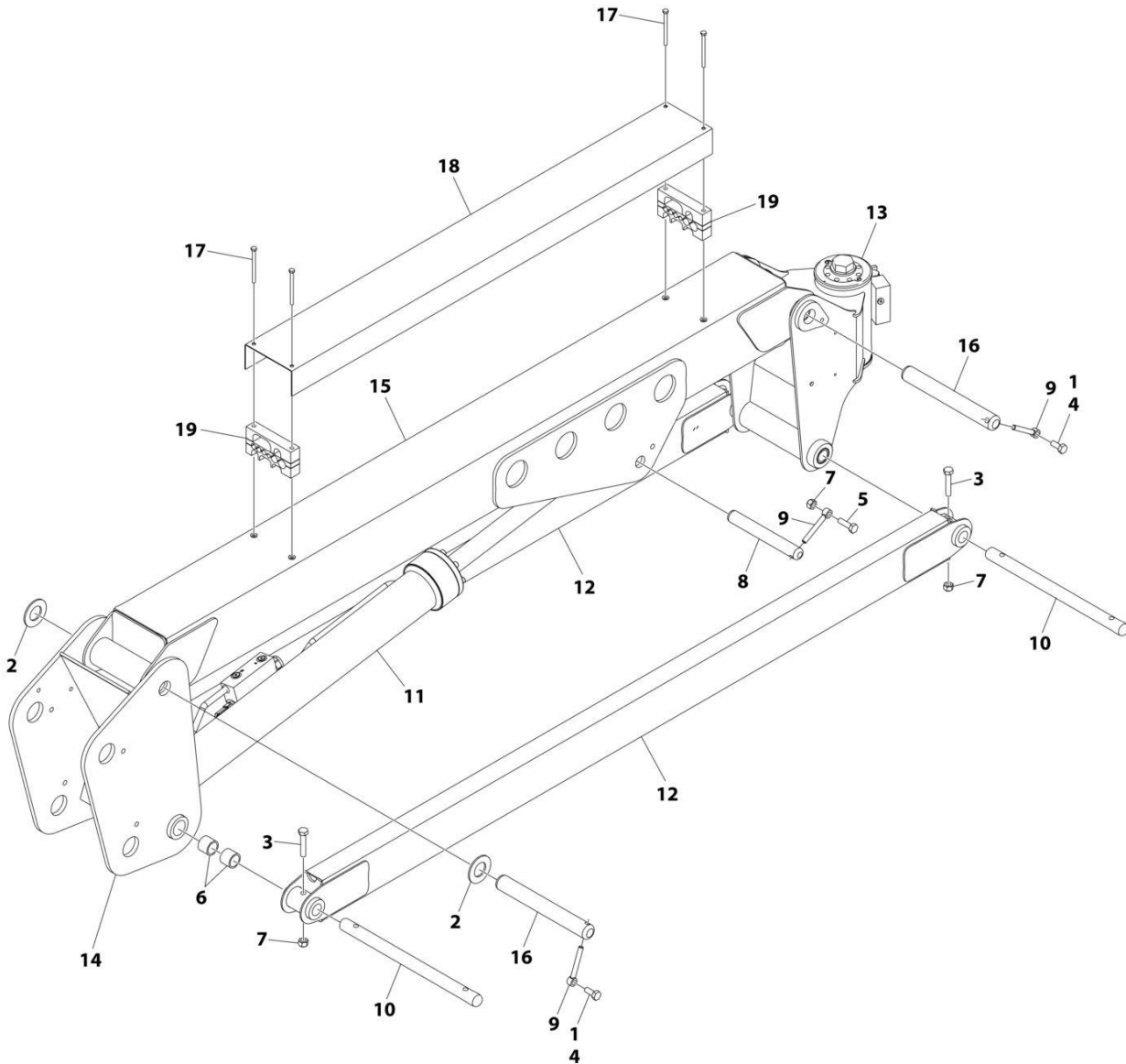
SECTION 4 - BOOM

FIGURE 4-4. JIB ASSEMBLY (Prior to SN 0300279215)

| ITEM | PART NUMBER | QTY | DESCRIPTION | REV |
|------|-------------|-----|--|-----|
| | 1001238331 | Ref | JIB ASSEMBLY | E |
| 1 | 0100011 | AR | Compound, Locking | |
| 2 | 0440237 | 2 | Bearing | |
| 3 | 0701020 | 4 | Bolt M10 x 60 | |
| 4 | 0761012 | 2 | Bolt M10 x 25 | |
| 5 | 0761015 | 1 | Bolt M10 x 35 | |
| 6 | 1001134289 | 4 | Bearing | |
| 7 | 3291005 | 5 | Nut M10 | |
| 8 | 3422867 | 1 | Pin | |
| 9 | 3841143 | 3 | Keeper, Pin | |
| 10 | 3422861 | 2 | Pin | |
| 11 | 1001264302 | 1 | Cylinder Assembly - Jib (See Separate Breakdown in CYLINDER SECTION) | |
| 12 | 4844817 | 2 | Tube, Jib (Lower) | |
| 13 | 1001234811 | 1 | Rotator Assembly - Platform (See Separate Breakdown in this Section) | |
| 14 | 1001238169 | 1 | Pivot | |
| 15 | 1001238333 | 1 | Tube, Jib (Upper) | |
| 16 | 1001238398 | 2 | Pin | |
| 17 | 0700624 | 4 | Bolt M6 x 80 | |
| 18 | 1671034 | 1 | Cover, JIB | |
| 19 | 1001165350 | 2 | Block, Clamp | |

SECTION 4 - BOOM

FIGURE 4-5. JIB ASSEMBLY (SN 0300279215 to Present)



ART_1001238331_F

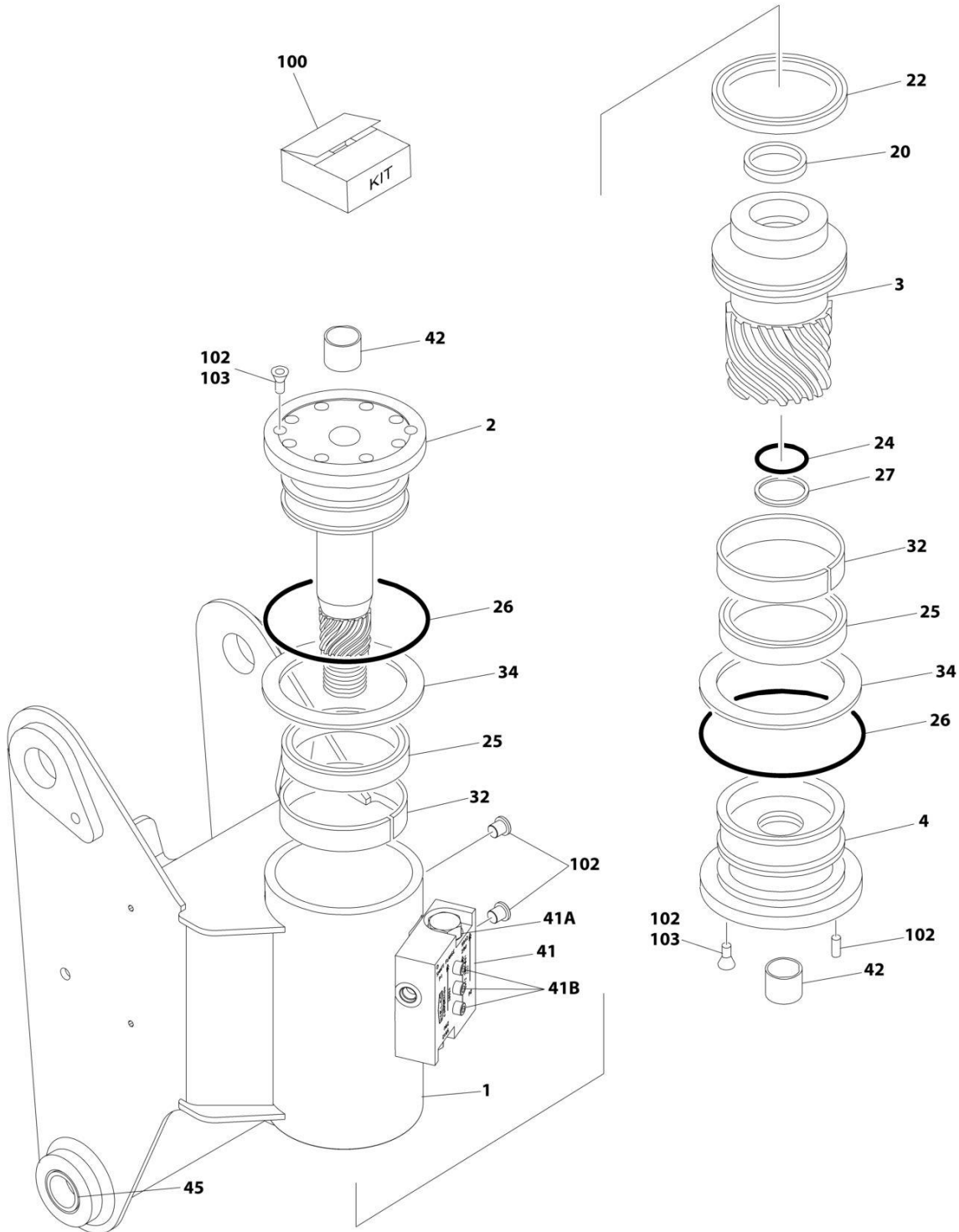
SECTION 4 - BOOM

FIGURE 4-5. JIB ASSEMBLY (SN 0300279215 to Present)

| ITEM | PART NUMBER | QTY | DESCRIPTION | REV |
|------|-------------|-----|--|-----|
| | 1001238331 | Ref | JIB ASSEMBLY | F |
| 1 | 0100011 | AR | Compound, Locking | |
| 2 | 0440237 | 2 | Bearing | |
| 3 | 0701020 | 4 | Bolt M10 x 60 | |
| 4 | 0761012 | 2 | Bolt M10 x 25 | |
| 5 | 0761015 | 1 | Bolt M10 x 35 | |
| 6 | 1001134289 | 4 | Bearing | |
| 7 | 3291005 | 5 | Nut M10 | |
| 8 | 3422867 | 1 | Pin | |
| 9 | 3841143 | 3 | Keeper, Pin | |
| 10 | 3422861 | 2 | Pin | |
| 11 | 1001264991 | 1 | Cylinder Assembly - Jib (See Separate Breakdown in CYLINDER Section) | |
| 12 | 4844817 | 2 | Tube, Jib (Lower) | |
| 13 | 1001234811 | 1 | Rotator Assembly - Platform (See Separate Breakdown in this Section) | |
| 14 | 1001238169 | 1 | Pivot | |
| 15 | 1001238333 | 1 | Tube, Jib (Upper) | |
| 16 | 1001238398 | 2 | Pin | |
| 17 | 0700624 | 4 | Bolt M6 x 80 | |
| 18 | 1671034 | 1 | Cover, JIB | |
| 19 | 1001165350 | 2 | Block, Clamp | |

SECTION 4 - BOOM

FIGURE 4-6. ROTATOR ASSEMBLY



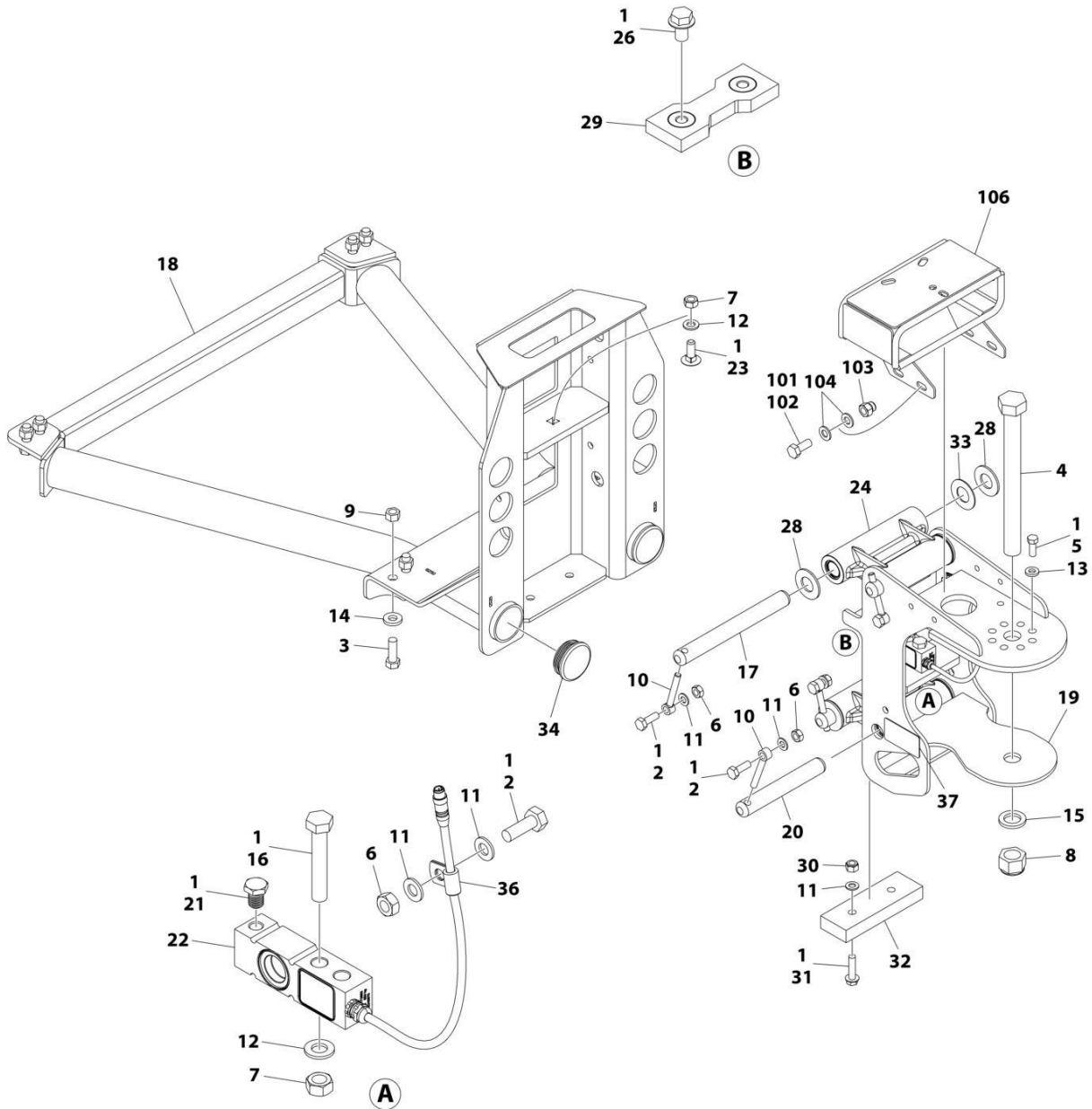
ART_1001234811

FIGURE 4-6. ROTATOR ASSEMBLY

| ITEM | PART NUMBER | QTY | DESCRIPTION | REV |
|------|-------------|-----|---|-----|
| | 1001234811 | Ref | ROTATOR ASSEMBLY | B |
| 1 | See Note | NSS | Housing/Ring Gear Assembly (Note: Not Available - Purchase Complete Rotator Assembly) | |
| 2 | 7017162 | 1 | Shaft Weldment | |
| 3 | 7017163 | 1 | Piston/Sleeve Assembly | |
| 4 | 7017164 | 1 | Cap, End | |
| 20 | See Note | NSS | T-Seal (Note: Use Item 100) | |
| 22 | See Note | NSS | T-Seal (Note: Use Item 100) | |
| 24 | See Note | NSS | O-Ring (Note: Use Item 100) | |
| 25 | See Note | NSS | Seal (Note: Use Item 100) | |
| 26 | See Note | NSS | O-Ring (Note: Use Item 100) | |
| 27 | See Note | NSS | Ring, Back-up (Note: Use Item 100) | |
| 32 | See Note | NSS | Ring, Wear (Note: Use Item 101) | |
| 34 | See Note | NSS | Washer, Thrust (Note: Use Item 101) | |
| 41 | 7017172 | AR | Valve Assembly | |
| 41A | 7017192 | 2 | Cartridge, Valve | |
| 41A | See Note | NSS | Seal Kit - 7017192 Valve (Note: Not Available for Purchase) | |
| 41B | See Note | 3 | Bolt 1/4-20NC x 1-1/2 Grade 8 (Note: Not Available - Purchase Locally) | |
| 42 | 7017195 | 2 | Bushing | |
| 45 | 0961947 | 2 | Bushing 1IN ID x 1.25IN OD x 5/8IN L | |
| 45 | 1001134289 | 2 | Bushing 1IN ID x 1.5IN OD x 1IN L | |
| 100 | 70000342 | 1 | Seal Kit (Includes Items 20, 22, 24, 25, 27 & 33) | |
| 101 | 7017159 | 1 | Bearing Kit (Includes Items 32 & 34) | |
| 102 | 7017142 | 1 | Hardware Kit | |
| 103 | 70001697 | 4 | Screw, Countersunk 1/4 x 3/8 Grade 8 | |

SECTION 4 - BOOM

FIGURE 4-7. SUPPORT, PLATFORM INSTALLATION



ART_1001167596

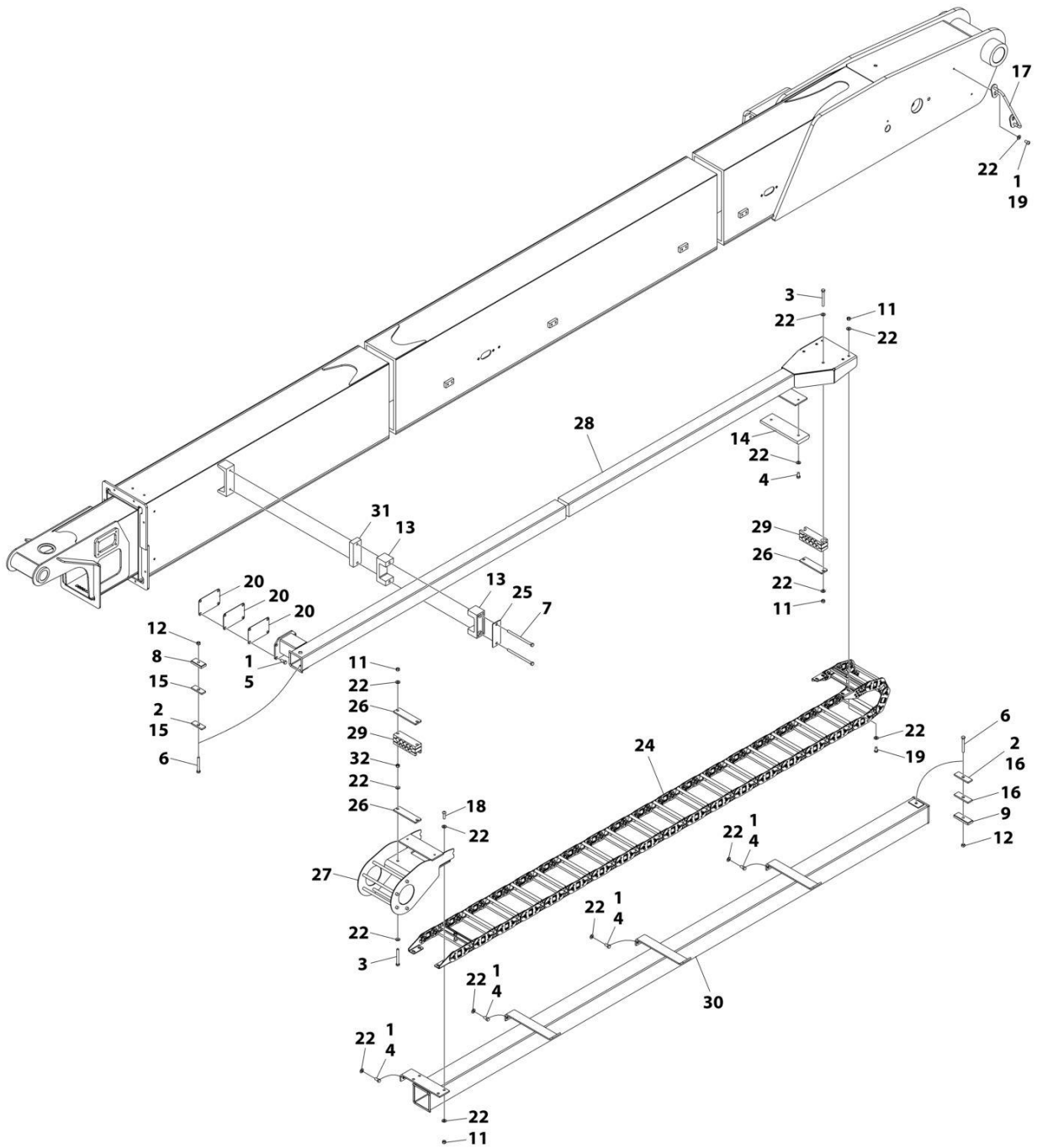
SECTION 4 - BOOM

FIGURE 4-7. SUPPORT, PLATFORM INSTALLATION

| ITEM | PART NUMBER | QTY | DESCRIPTION | REV |
|------|-------------|-----|------------------------------------|-----|
| | 1001167596 | Ref | PLATFORM SUPPORT INSTALLATION | M |
| 1 | 0100011 | AR | Compound, Locking | |
| 2 | 0761014 | 5 | Bolt M10 x 30 | |
| 3 | 0761216 | 8 | Bolt M12 x 40 | |
| 4 | 1001255133 | 1 | Bolt 1 x 11 | |
| 5 | 0681608 | 8 | Bolt 3/8 x 1 | |
| 6 | 3291001 | 5 | Nut M10 | |
| 7 | 3291201 | 3 | Nut M12 | |
| 8 | 1001174040 | 1 | Nut 1 | |
| 9 | 3291205 | 8 | Nut M12 | |
| 10 | 3841143 | 4 | Keeper, Pin | |
| 11 | 4812000 | 8 | Washer M10 | |
| 12 | 4812100 | 3 | Washer M12 | |
| 13 | 4891600 | 8 | Washer 3/8 | |
| 14 | 5241200 | 8 | Washer M12 | |
| 15 | 4892600001 | 1 | Washer 1 | |
| 16 | 1001098828 | 2 | Bolt M12 x 70 Grade 10.9 | |
| 17 | 1001167565 | 2 | Pin | |
| 18 | 1001200494 | 1 | Support, Platform | |
| 19 | 1001167567 | 1 | Support, Rotator | |
| 20 | 1001168402 | 2 | Pin | |
| 21 | 1001188622 | 1 | Screw | |
| 22 | 1001247468 | 1 | Gauge, Load Sensing | |
| 23 | 1001188844 | 1 | Bolt M12 x 35 | |
| 24 | 1001201351 | 2 | Link | |
| 26 | 5251008 | 2 | Bolt M10 x 16 | |
| 28 | 1001189002 | 8 | Bearing | |
| 29 | 1001190985 | 1 | Pad, Wear | |
| 30 | 3291005 | 2 | Nut M10 | |
| 31 | 5251016 | 2 | Bolt M10 x 40 | |
| 32 | 1001200491 | 1 | Pad, Wear | |
| 33 | 1001189001 | 4 | Bearing | |
| 34 | 1001204725 | 2 | Plug | |
| 36 | 91203039 | 1 | Clamp | |
| 37 | 1001216630 | 2 | Decal - Tie Down/No Lift | |
| 38 | 1001238421 | Ref | Kit, Platform Leveling (Not Shown) | |
| | 1001202687 | Ref | VALVE MOUNT INSTALLATION | B |
| 101 | 0100011 | AR | Compound, Locking | |
| 102 | 0760810 | 4 | Bolt M8 x 20 | |
| 103 | 3290806 | 4 | Nut M8 | |
| 104 | 4811900 | 8 | Washer M8 | |
| 106 | 1001208994 | 1 | Mount, Valve | |

SECTION 4 - BOOM

FIGURE 4-8. POWER TRACK INSTALLATION - MAIN BOOM



ART_1001253658_C

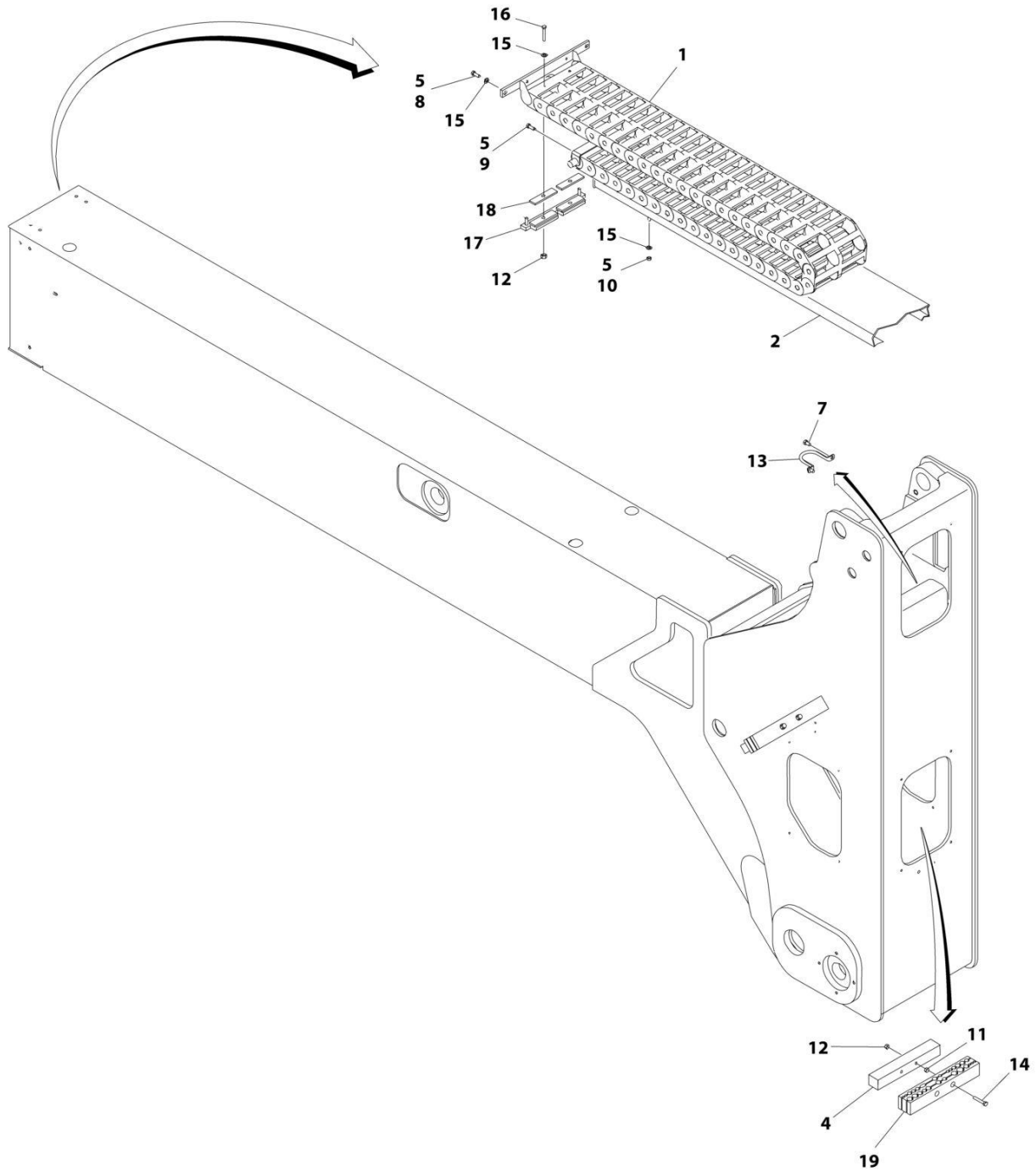
SECTION 4 - BOOM

FIGURE 4-8. POWER TRACK INSTALLATION - MAIN BOOM

| ITEM | PART NUMBER | QTY | DESCRIPTION | REV |
|------|-------------|-----|--------------------------|-----|
| | 1001253658 | Ref | POWER TRACK INSTALLATION | C |
| 1 | 0100011 | AR | Compound, Locking | |
| 2 | 0100081 | AR | Adhesive | |
| 3 | 0630593 | 4 | Bolt 3/8 x 3-1/4 | |
| 4 | 0641606 | 10 | Bolt 3/8 x 3/4 | |
| 5 | 0641607 | 4 | Bolt 3/8 x 7/8 | |
| 6 | 0641624 | 2 | Bolt 3/8 x 3 | |
| 7 | 0641648 | 2 | Bolt 3/8 x 6 | |
| 8 | 1320288 | 1 | Clamp | |
| 9 | 1320289 | 1 | Clamp | |
| 11 | 3271605 | 12 | Nut | |
| 12 | 3311605 | 2 | Nut 3/8 | |
| 13 | 3340764 | 2 | Pad | |
| 14 | 3340840 | 1 | Pad | |
| 15 | 3340941 | 2 | Pad | |
| 16 | 3340943 | 2 | Pad, Rubber | |
| 17 | 3841406 | 1 | Loop, Hose | |
| 18 | 3900232 | 4 | Screw 3/8 x 1-1/4 | |
| 19 | 3900283 | 6 | Screw 3/8 x 3/4 | |
| 20 | 4070969 | 3 | Shim 16 Gauge | |
| 22 | 4711600 | 38 | Washer 3/8 | |
| 24 | 1001099837 | 1 | Power Track Assembly | |
| 24 | 70002013 | 1 | Repair Section | |
| 24 | 70002014 | 1 | Mounting Kit | |
| 25 | 1001136400 | 1 | Plate, Backing | |
| 26 | 1001249824 | 3 | Plate | |
| 27 | 1001250384 | 1 | Mount | |
| 28 | 1001253724 | 1 | Push Tube | |
| 29 | 1001253880 | 2 | Clamp, Hose | |
| 30 | 1001254317 | 1 | Tube | |
| 31 | 1001254632 | 1 | Spacer | |
| 32 | 3271601 | 1 | Nut 3/8 | |

SECTION 4 - BOOM

FIGURE 4-9. POWER TRACK INSTALLATION - TOWER BOOM



ART_1001261274

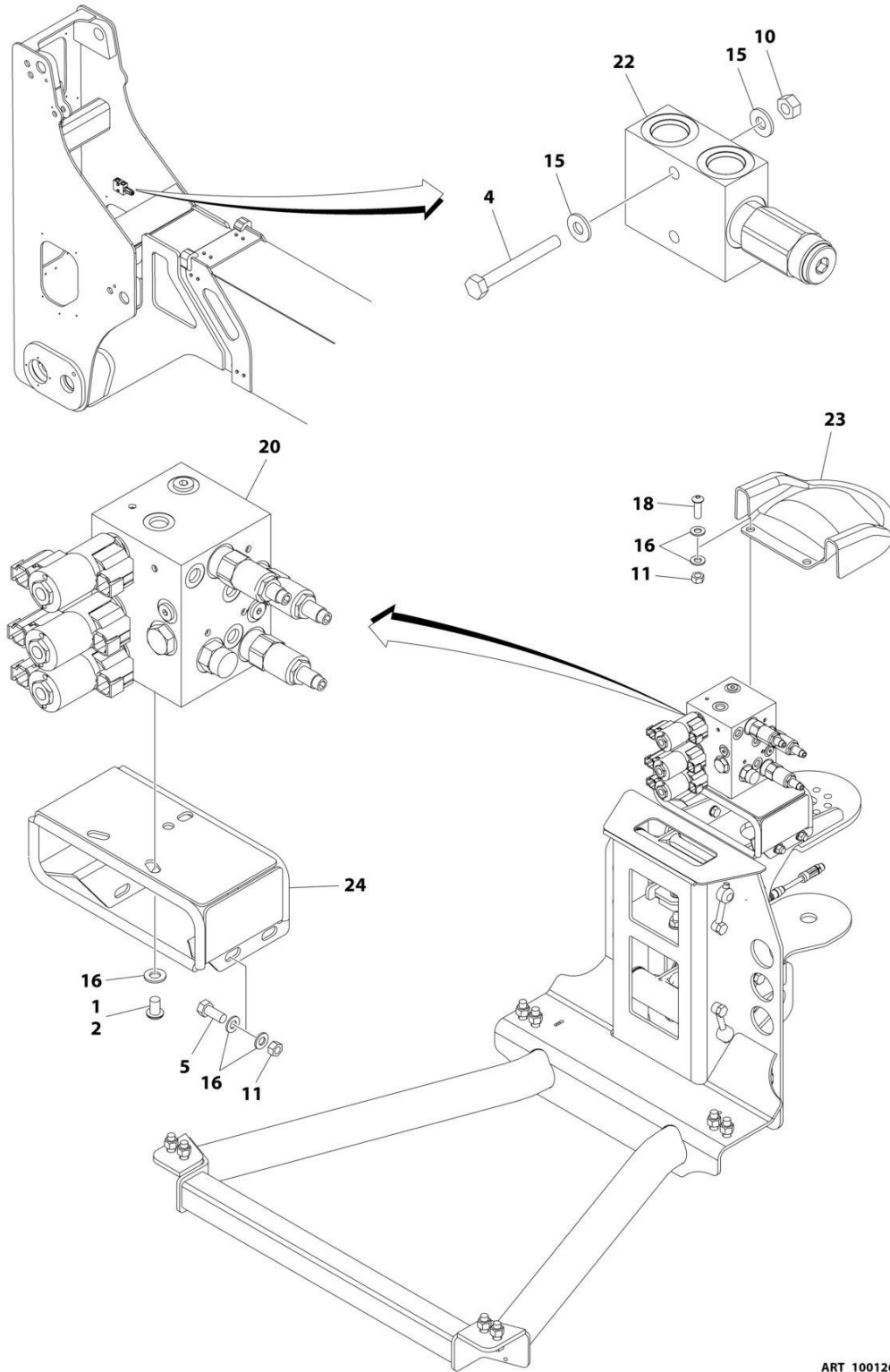
SECTION 4 - BOOM

FIGURE 4-9. POWER TRACK INSTALLATION - TOWER BOOM

| ITEM | PART NUMBER | QTY | DESCRIPTION | REV |
|------|-------------|-----|--------------------------|-----|
| | 1001261274 | Ref | POWER TRACK INSTALLATION | B |
| 1 | 1180346 | 1 | Track, Power | |
| 1 | 7020064 | 1 | Bracket, End (Moving) | |
| 1 | 7020065 | 1 | Bracket, End (Fixed) | |
| 1 | 7020066 | 1 | Section, Repair | |
| 1 | 7020067 | 1 | Link, Repair | |
| 2 | 4845680 | 1 | Tube, Hose | |
| 4 | 1320250 | 2 | Bar | |
| 5 | 0100011 | AR | Compound, Locking | |
| 7 | 0641605 | 2 | Bolt 3/8 x 5/8 | |
| 8 | 0641606 | 2 | Bolt 3/8 x 3/4 | |
| 9 | 0641622 | 2 | Bolt 3/8 x 2-3/4 | |
| 10 | 3311601 | 4 | Nut 3/8 | |
| 11 | 3311602 | 4 | Nut 3/8 | |
| 12 | 3311605 | 6 | Nut 3/8 | |
| 13 | 3841340 | 1 | Rod, Hose Loop | |
| 14 | 3900262 | 4 | Bolt 3/8 x 4-3/4 | |
| 15 | 4711600 | 8 | Washer 3/8 | |
| 16 | 0641624 | 2 | Bolt 3/8 x 3 | |
| 17 | 0259420 | 1 | Clamp | |
| 18 | 3340859 | 2 | Pad | |
| 19 | 1001261272 | 2 | Clamp, Block | |

SECTION 4 - BOOM

FIGURE 4-10. CONTROL VALVES INSTALLATION - WITH 2WS



ART_1001260277_2OF2

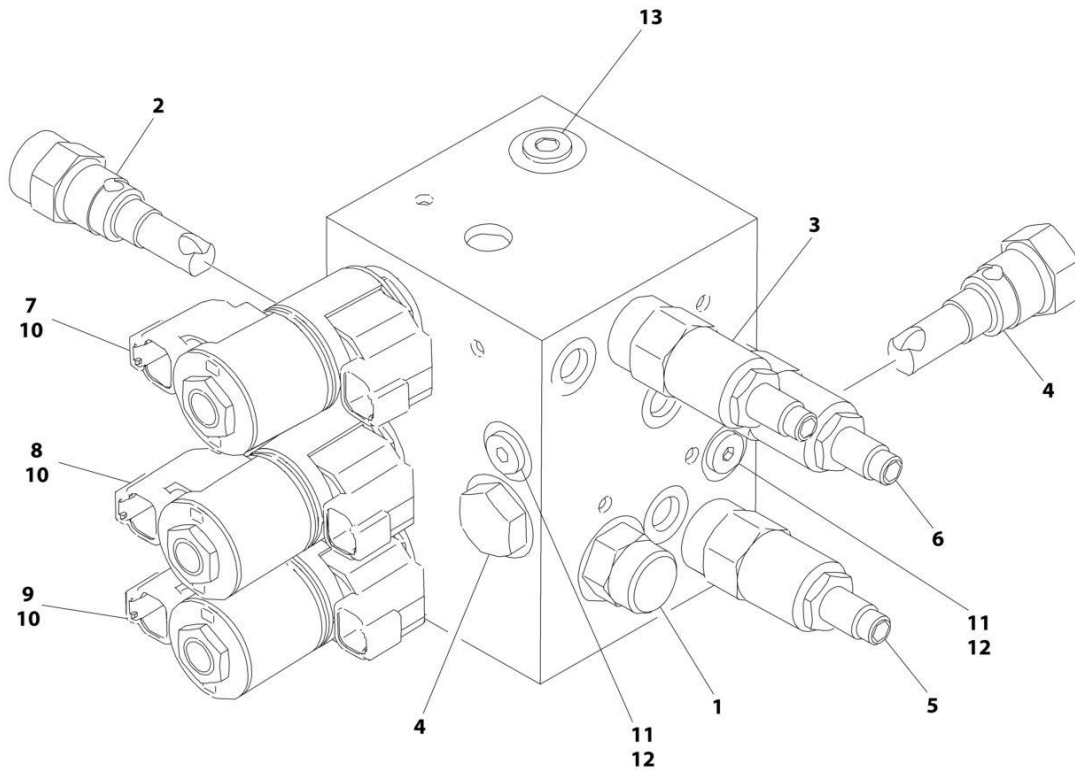
SECTION 4 - BOOM

FIGURE 4-10. CONTROL VALVES INSTALLATION - WITH 2WS

| ITEM | PART NUMBER | QTY | DESCRIPTION | REV |
|------|-------------|-----|--|-----|
| | 1001260277 | Ref | BOOM VALVES INSTALLATION | A |
| 1 | 0100011 | AR | Compound, Locking | |
| 2 | 0630467 | 3 | Screw 5/16 x 1/2 | |
| 4 | 0641418 | 4 | Bolt 1/4 x 2-1/4 | |
| 5 | 0641507 | 4 | Bolt 5/16 x 7/8 | |
| 10 | 3311405 | 2 | Nut 1/4 | |
| 11 | 3311505 | 6 | Nut 5/16 | |
| 15 | 4711400 | 11 | Washer 1/4 | |
| 16 | 4711500 | 15 | Washer 5/16 | |
| 18 | 88261024 | 2 | Capscrew 5/16 x 1 | |
| 20 | 1001253677 | 1 | Boom Valve Assembly (See Separate Breakdown in this Section) | |
| 22 | 1001200054 | 1 | Valve Assembly (Relief) | |
| 22 | 7012970 | 1 | Cartridge, Valve | |
| 22 | 7012953 | 1 | Seal Kit - 7012970 Valve | |
| 23 | 1001207969 | 1 | Cover | |
| 24 | 1001208994 | 1 | Mount | |

SECTION 4 - BOOM

FIGURE 4-11. CONTROL VALVE ASSEMBLY



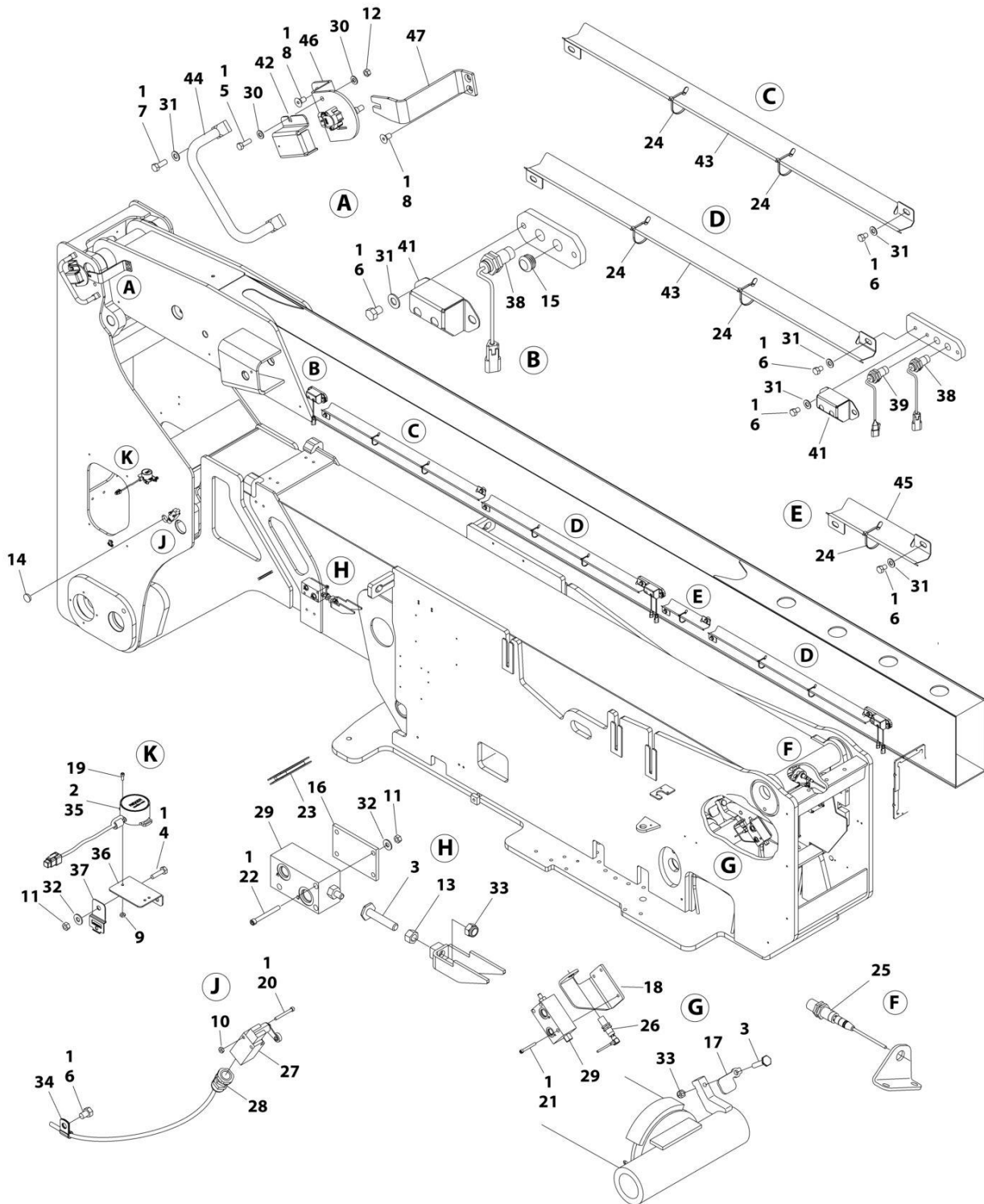
ART_1001253677

FIGURE 4-11. CONTROL VALVE ASSEMBLY

| ITEM | PART NUMBER | QTY | DESCRIPTION | REV |
|------|-------------|-----|----------------------------------|-----|
| | 1001253677 | Ref | BOOM VALVE ASSEMBLY | B |
| 1 | 7012989 | 1 | Valve, Flow | |
| 1 | 7012953 | 1 | Seal Kit - 7012989 Valve | |
| 2 | 7012965 | 1 | Valve, Flow | |
| 2 | 7012953 | 1 | Seal Kit - 7012965 Valve | |
| 3 | 70004151 | 1 | Valve, Relief | |
| 3 | 7021653 | 1 | Seal Kit - 70003962 Valve | |
| 4 | 7012914 | 2 | Valve, Cartridge | |
| 4 | 7012918 | 2 | Seal Kit - 7012914 Valve | |
| 5 | 7023911 | 1 | Valve, Relief | |
| 5 | 7012967 | 1 | Seal Kit - 7023911 Valve | |
| 6 | 70007446 | 1 | Valve, Relief | |
| 6 | 7012998 | 1 | Seal Kit - 70007446 Valve | |
| 7 | 7017452 | 1 | Valve, Solenoid (Jib) | |
| 7 | 7017402 | 2 | Seal Kit - 7017452 Valve | |
| 8 | 7017452 | 1 | Valve, Solenoid (Platform Level) | |
| 8 | 7017402 | 1 | Seal Kit - 7017452 Valve | |
| 9 | 7017452 | 1 | Valve, Solenoid (Rotator) | |
| 9 | 7017402 | 2 | Seal Kit - 7017452 Valve | |
| 10 | 70002386 | 6 | Coil | |
| 11 | 70002064 | 2 | Plug, Orifice | |
| 12 | 2220883 | 2 | Plug | |
| 13 | 91164079 | 1 | Plug | |

SECTION 4 - BOOM

FIGURE 4-12. BOOM VALVES AND PROXIMITY SWITCHES INSTALLATION



ART_1001253789

FIGURE 4-12. BOOM VALVES AND PROXIMITY SWITCHES INSTALLATION

| ITEM | PART NUMBER | QTY | DESCRIPTION | REV |
|------|-------------|-----------|--|-----|
| | 1001253789 | Ref | BOOM VALVE AND LIMIT SWITCHES INSTALLATION | B |
| 1 | 0100011 | AR | Compound, Locking | |
| 2 | 0100048 | AR | Grease | |
| 3 | 0630427 | 2 | Bolt | |
| 4 | 0641408 | 2 | Capscrew 1/4 x 1 | |
| 5 | 0641508 | 1 | Capscrew 5/16 x 1 | |
| 6 | 0641604 | 15 | Bolt 3/8 x 1/2 | |
| 7 | 0641608 | 2 | Bolt 3/8 x 1 | |
| 8 | 0741606 | 4 | Bolt 3/8 x 3/4 | |
| 9 | 3310605 | 3 | Nut 6 | |
| 10 | 3310801 | 2 | Nut #8 | |
| 11 | 3311405 | AR | Nut 1/4 | |
| 12 | 3311501 | 1 | Nut 5/16 | |
| 13 | 3311801 | 1 | Nut 1/2 | |
| 14 | 3520035 | 1 | Plug | |
| 15 | 3520193 | 1 | Plug | |
| 16 | 3570928 | 1 | Plate, Spacer | |
| 17 | 3572606 | 1 | Plate, Switch Target | |
| 18 | 3572607 | 1 | Plate, Switch Mount | |
| 19 | 3930606 | 3 | Capscrew #6 x 3/8 | |
| 20 | 3930824 | 2 | Capscrew #8 x 1-1/2 | |
| 21 | 3931432 | 3 | Capscrew 1/4 x 2 | |
| 22 | 3931436 | 3 | Capscrew 1/4 x 2-1/4 | |
| 23 | 4060805 | 7 in/25cm | Trim | |
| 24 | 4240033 | 7 | Tie, Cable | |
| 25 | 4360498 | 1 | Switch, Proximity | |
| 26 | 4360499 | 1 | Switch, Proximity | |
| 27 | 4360578 | 1 | Switch, Limit | |
| 28 | 4460968 | 1 | Connector, Strain Relief | |
| 29 | 4641435 | 2 | Valve, Switch | |
| 29 | 7011342 | 1 | Valve, Check | |
| 29 | 7011333 | 1 | Seal Kit - 7011342 Valve | |
| 30 | 4711500 | 2 | Washer 5/16 | |
| 31 | 4711600 | 16 | Washer 3/8 | |
| 32 | 4751400 | AR | Washer 1/4 | |
| 33 | 88521008 | 2 | Nut 1/2 | |
| 34 | 91203039 | 1 | Clamp | |
| 35 | 1001094400 | 1 | Sensor, Dual Axis | |
| 36 | 1001096736 | 1 | Bracket, Tilt Sensor | |
| 37 | 1001153749 | 1 | Clip | |
| 38 | 1001170847 | 3 | Sensor, Proximity | |
| 39 | 1001182570 | 2 | Sensor, Proximity | |
| 40 | 1001200497 | 1 | Connector (Not Shown) | |
| 41 | 1001204715 | 3 | Bracket | |
| 42 | 1001211588 | 1 | Shield, Angle Sensor | |
| 43 | 1001247453 | 3 | Angle, Cable | |
| 44 | 1001263612 | 1 | Bar, Guard | |
| 45 | 1001250531 | 1 | Plate, Cable Cover | |
| 46 | 1001255880 | 1 | Sensor, Boom Angle | |
| 46 | 1001204939 | 1 | Sensor, Angle | |

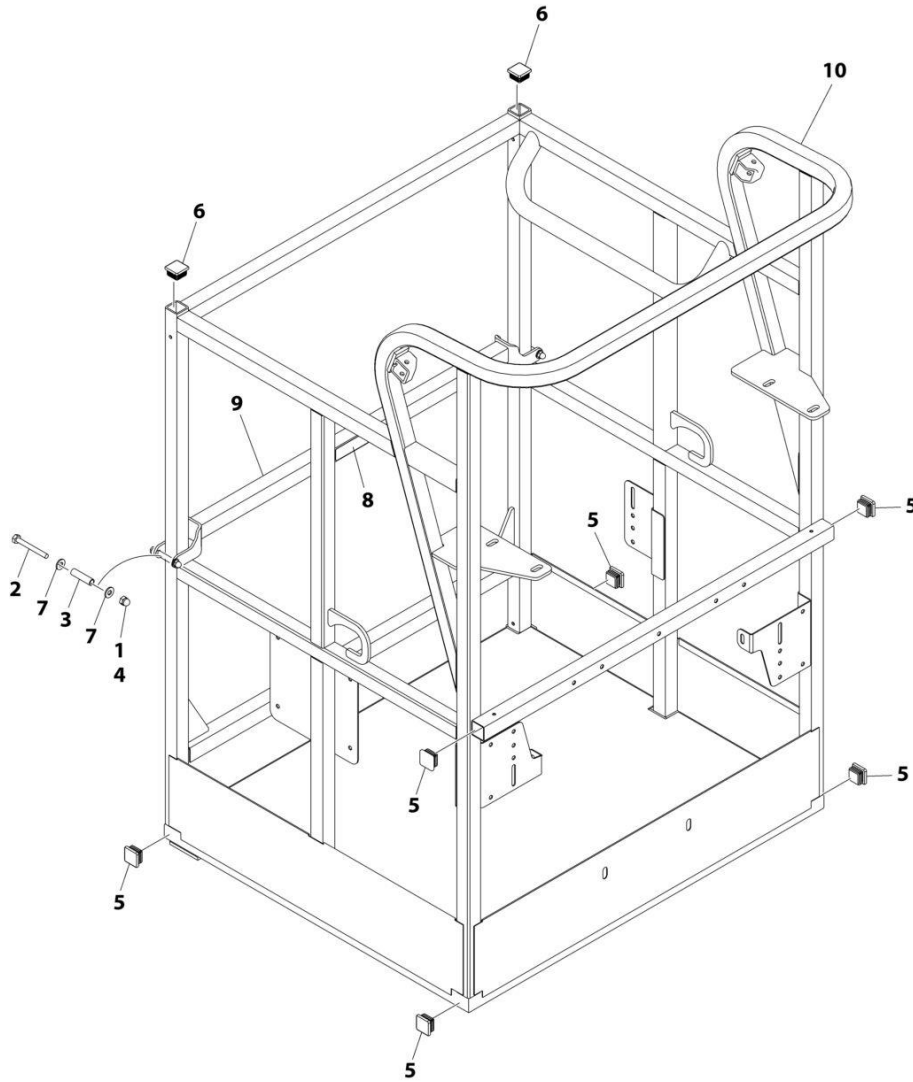
SECTION 4 - BOOM

| ITEM | PART NUMBER | QTY | DESCRIPTION | REV |
|------|-------------|-----|----------------------------------|-----|
| 46 | 3930820 | 2 | Capscrew #8x1-1/4 (Sensor Screw) | |
| 46 | 1001211582 | 1 | Arm/Link | |
| 46 | 4010303 | 1 | Screw M3x6 (Arm Screw) | |
| 47 | 1001255882 | 1 | Plate, Sensor | |

SECTION 5 - PLATFORM

SECTION 5 - PLATFORM

FIGURE 5-1. PLATFORM ASSEMBLY WITH DROP-BAR - 30IN X 3FT (76CM X 1M)



ART_1001228215

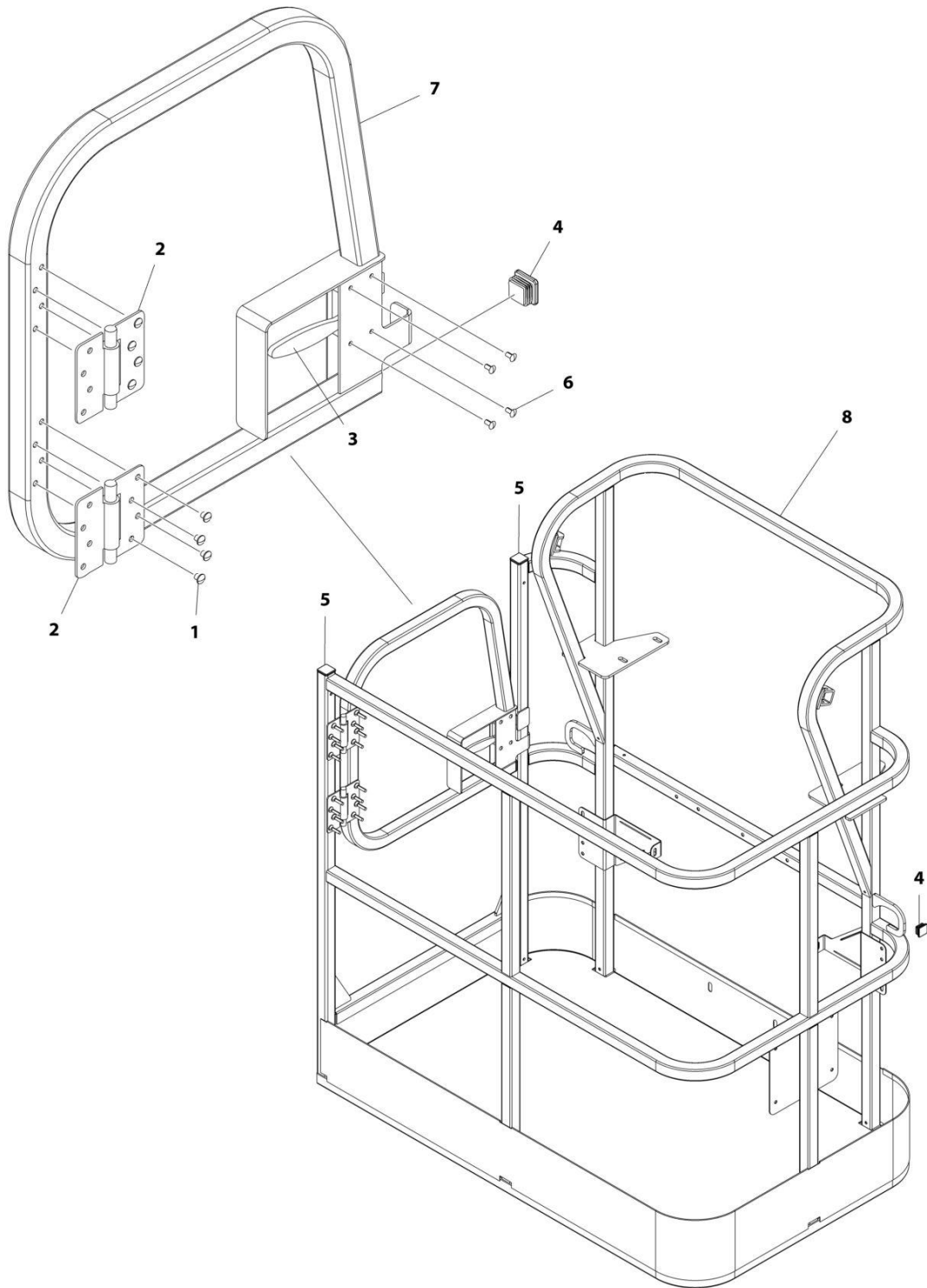
SECTION 5 - PLATFORM

FIGURE 5-1. PLATFORM ASSEMBLY WITH DROP-BAR - 30IN X 3FT (76CM X 1M)

| ITEM | PART NUMBER | QTY | DESCRIPTION | REV |
|------|-------------|-----|---|-----|
| | 1001228215 | Ref | PLATFORM ASSEMBLY | A |
| | See Note | Ref | Note: Platform and Mesh must be ordered separately for Platforms with Mesh. See SPECIAL OPTIONS SECTION for Mesh Installations. | |
| | See Note | Ref | Note: Replacement Decals Must be Ordered Separately - See DECAL SECTION. | |
| 1 | 0100011 | AR | Compound, Locking | |
| 2 | 0641418 | 2 | Bolt 1/4 x 2-1/4 | |
| 3 | 0961845 | 2 | Bushing | |
| 4 | 3300151 | 2 | Nut 1/4 | |
| 5 | 3520072 | 6 | Cap, Plug | |
| 6 | 3520198 | 2 | Cap, Plug | |
| 7 | 4711400 | 4 | Washer 1/4 | |
| 8 | 1001140429 | 1 | Decal - Drop Bar | |
| 9 | 1001226872 | 1 | Bar, Drop | |
| 10 | See Note | NSS | Platform (Note: Not Available - Purchase Platform Assembly) | |

SECTION 5 - PLATFORM

FIGURE 5-2. PLATFORM ASSEMBLY WITH GATE - 30IN X 4FT (76CM X 1.22M)



ART_1001186387

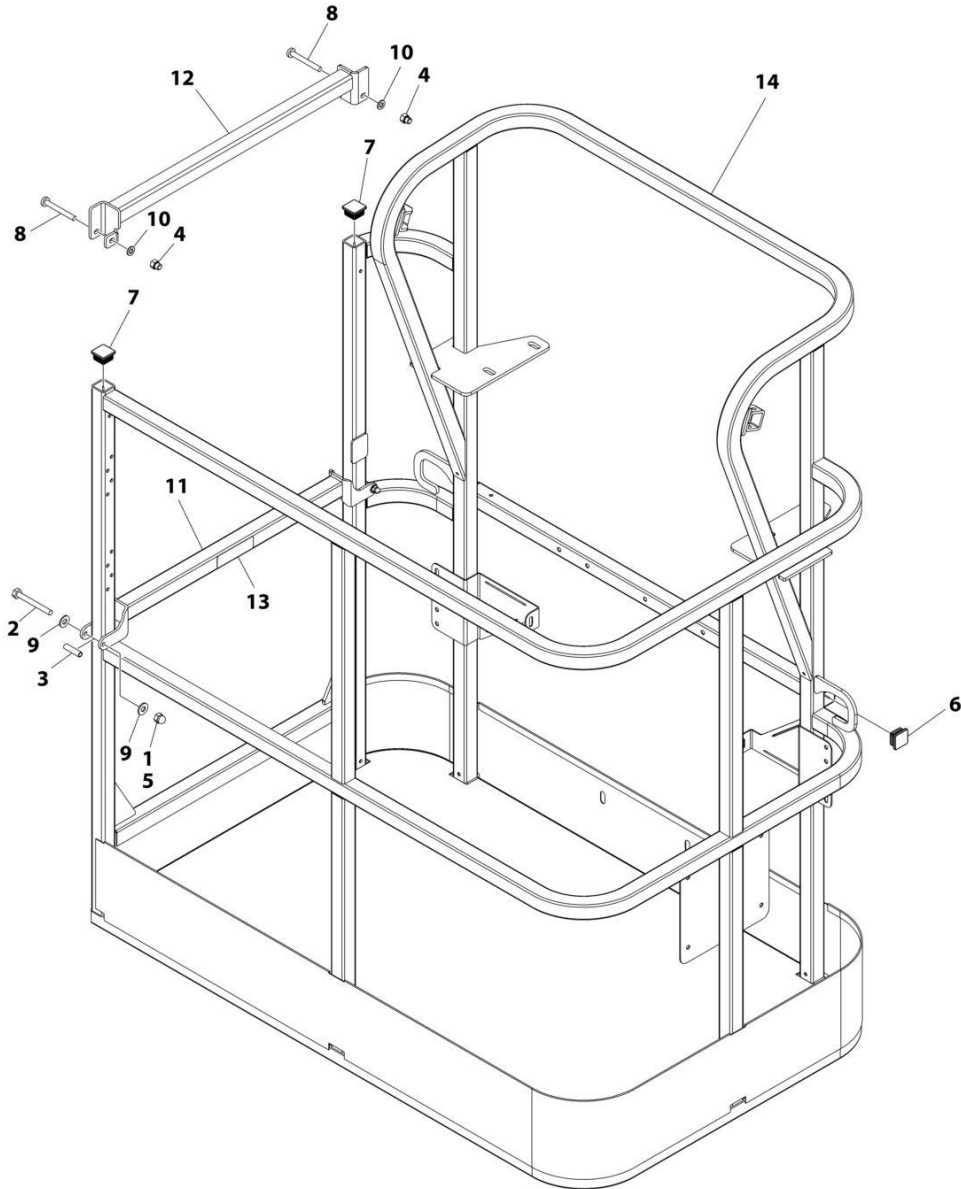
SECTION 5 - PLATFORM

FIGURE 5-2. PLATFORM ASSEMBLY WITH GATE - 30IN X 4FT (76CM X 1.22M)

| ITEM | PART NUMBER | QTY | DESCRIPTION | REV |
|------|-------------|-----|---|-----|
| | 1001186387 | Ref | PLATFORM ASSEMBLY | C |
| | | Ref | Note: Platform and Mesh must be ordered separately for Platforms with Mesh. See SPECIAL OPTIONS SECTION for Mesh Installations. | |
| | | Ref | Note: Replacement Decals Must be Ordered Separately - See DECALS SECTION. | |
| 1 | 2080040 | 16 | Fastener, Huck | |
| 2 | 2600281 | 2 | Hinge, Self-Closing | |
| 3 | 2940074 | 1 | Latch | |
| 4 | 3520072 | 3 | Plug | |
| 5 | 3520198 | 2 | Plug | |
| 6 | 3820020 | 4 | Rivet | |
| 7 | 1001144629 | 1 | Gate | |
| 8 | See Note | 1 | Platform (Note: Not Available - Purchase Platform Assembly) | |

SECTION 5 - PLATFORM

FIGURE 5-3. PLATFORM ASSEMBLY WITH DROP-BAR - 30IN X 4FT (76CM X 1.22M)



ART_1001186375

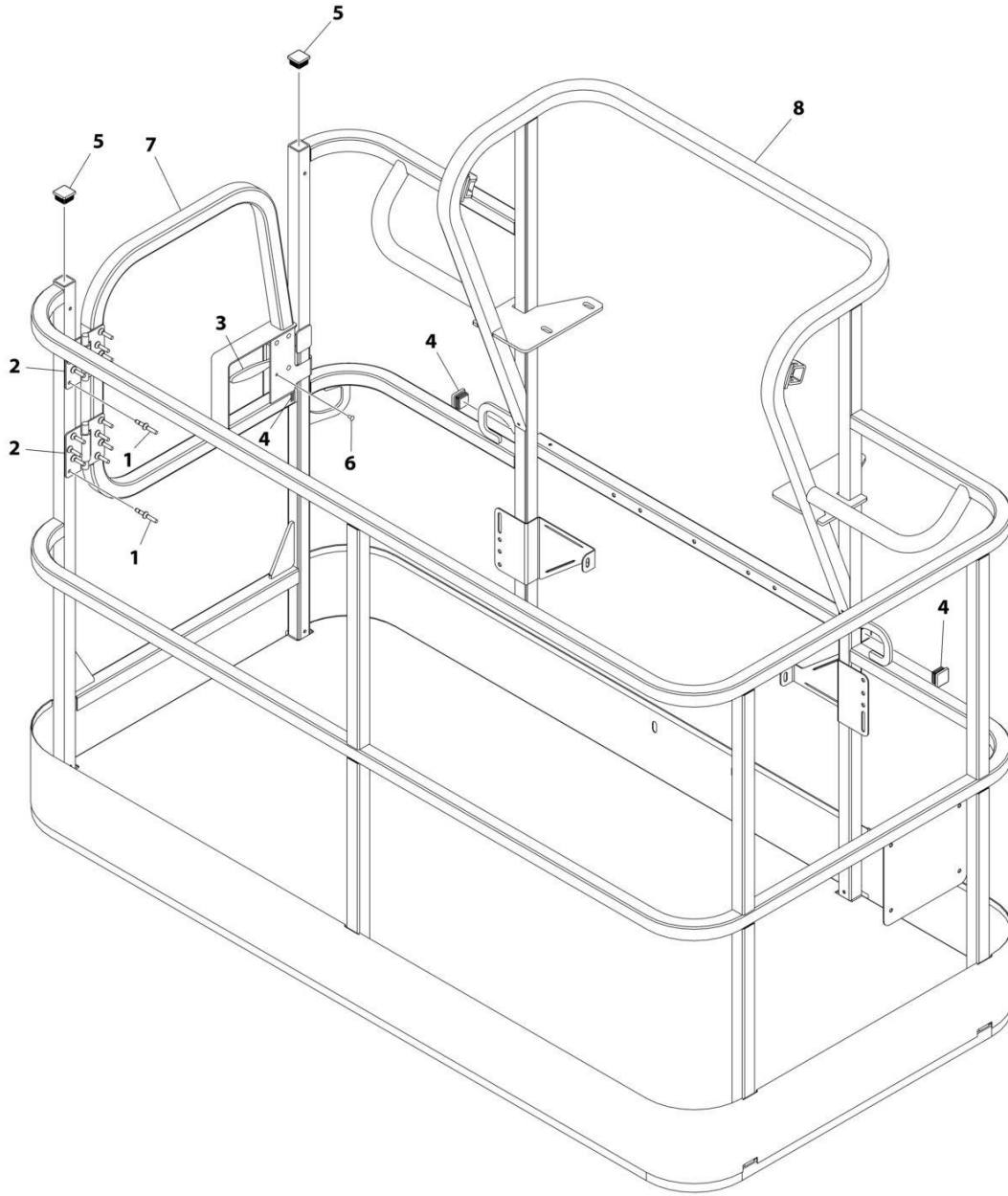
SECTION 5 - PLATFORM

FIGURE 5-3. PLATFORM ASSEMBLY WITH DROP-BAR - 30IN X 4FT (76CM X 1.22M)

| ITEM | PART NUMBER | QTY | DESCRIPTION | REV |
|------|-------------|-----|---|-----|
| | 1001186375 | Ref | PLATFORM ASSEMBLY | B |
| | | Ref | Note: Platform and Mesh must be ordered separately for Platforms with Mesh. See SPECIAL OPTIONS SECTION for Mesh Installations. | |
| | | Ref | Note: Replacement Decals Must be Ordered Separately - See DECALS SECTION. | |
| 1 | 0100011 | AR | Compound, Locking | |
| 2 | 0641418 | 2 | Bolt 1/4 x 2-1/4 | |
| 3 | 0961845 | 2 | Bushing | |
| 4 | 3290606 | 2 | Nut M6 | |
| 5 | 3300151 | 2 | Nut 1/4 | |
| 6 | 3520072 | 2 | Plug | |
| 7 | 3520198 | 2 | Plug | |
| 8 | 4010618 | 2 | Screw M6 x 50 | |
| 9 | 4711400 | 4 | Washer 1/4 | |
| 10 | 4811700 | 2 | Washer M6 | |
| 11 | 1001138494 | 1 | Bar, Drop | |
| 12 | 1001138514 | 1 | Rail - Top | |
| 13 | 1001140429 | 1 | Decal - Drop Bar | |
| 14 | See Note | 1 | Platform (Note: Not Available - Purchase Platform Assembly) | |

SECTION 5 - PLATFORM

FIGURE 5-4. PLATFORM ASSEMBLY WITH GATE - 30IN X 6FT (76CM X 1.83M)



ART_1001186385

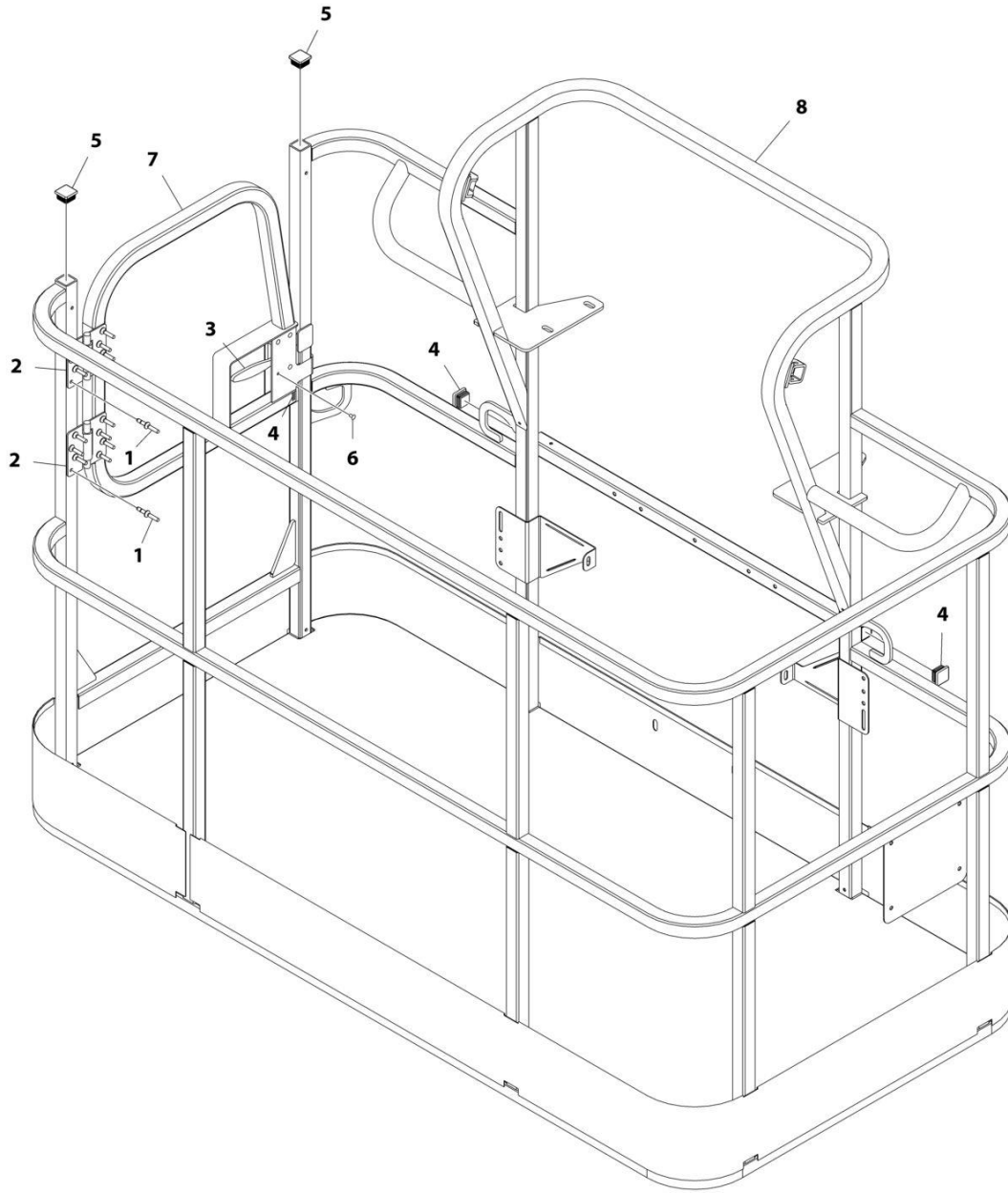
SECTION 5 - PLATFORM

FIGURE 5-4. PLATFORM ASSEMBLY WITH GATE - 30IN X 6FT (76CM X 1.83M)

| ITEM | PART NUMBER | QTY | DESCRIPTION | REV |
|------|-------------|-----|---|-----|
| | 1001186385 | Ref | PLATFORM ASSEMBLY | D |
| | | Ref | Note: Platform and Mesh must be ordered separately for Platforms with Mesh. See SPECIAL OPTIONS SECTION for Mesh Installations. | |
| | | Ref | Note: Replacement Decals Must be Ordered Separately - See DECALS SECTION. | |
| 1 | 2080040 | 16 | Fastener, Huck | |
| 2 | 2600281 | 2 | Hinge | |
| 3 | 2940074 | 1 | Latch | |
| 4 | 3520072 | 3 | Plug | |
| 5 | 3520198 | 2 | Plug | |
| 6 | 3820020 | 4 | Rivet | |
| 7 | 1001144629 | 1 | Gate | |
| 8 | See Note | NSS | Platform (Note: Not Available - Purchase Platform Assembly) | |

SECTION 5 - PLATFORM

FIGURE 5-5. PLATFORM ASSEMBLY WITH GATE- 36IN X 6FT (91.5CM X 1.83M)



ART_1001186384

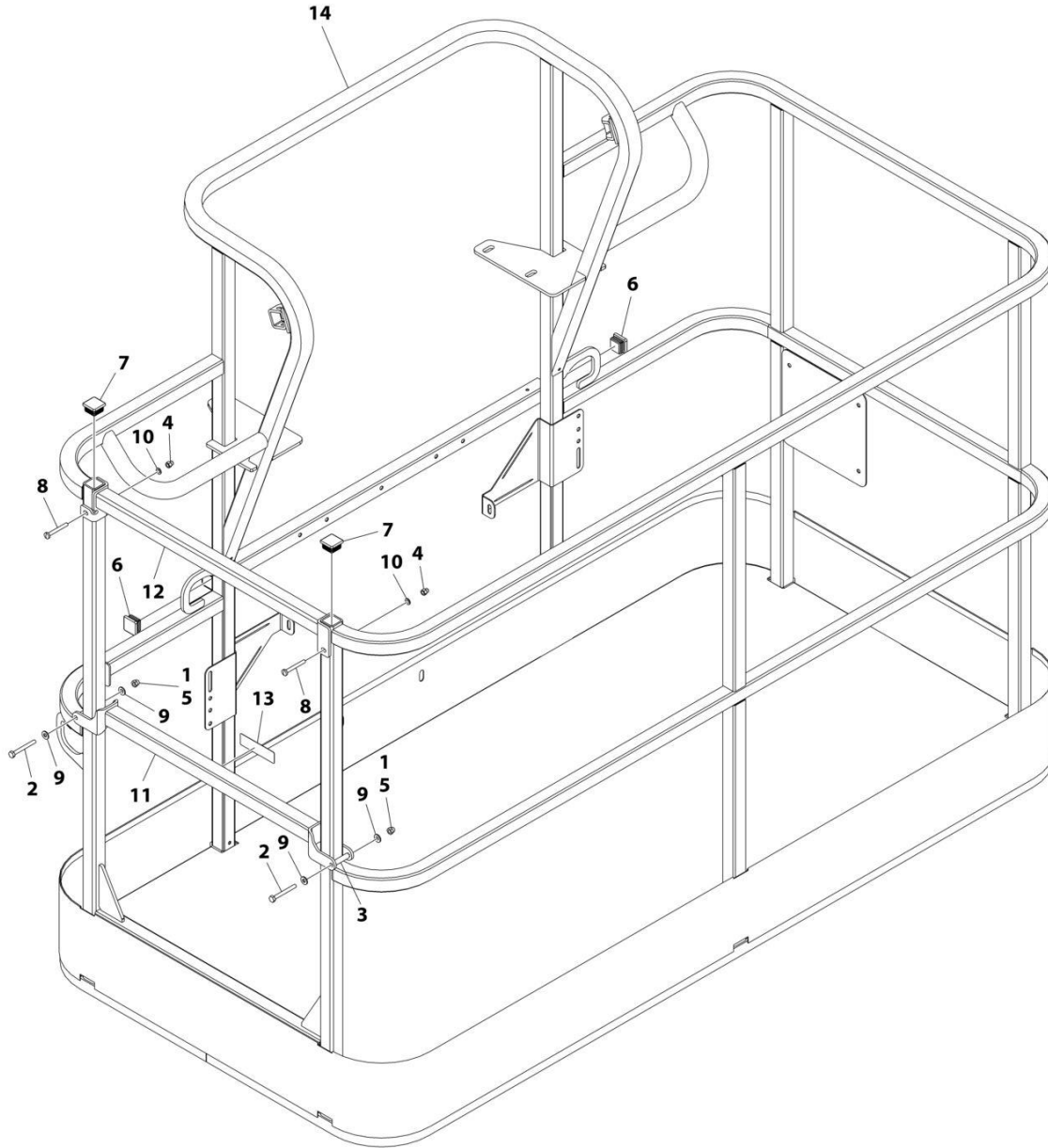
SECTION 5 - PLATFORM

FIGURE 5-5. PLATFORM ASSEMBLY WITH GATE- 36IN X 6FT (91.5CM X 1.83M)

| ITEM | PART NUMBER | QTY | DESCRIPTION | REV |
|------|-------------|-----|---|-----|
| | 1001186384 | Ref | PLATFORM ASSEMBLY - 36IN X 6FT (91.5CM X 1.83M) WITH SWING GATE | C |
| | See Note | Ref | Note: Platform and Mesh must be ordered separately for Platforms with Mesh. See SPECIAL OPTIONS SECTION for Mesh Installations. | |
| | See Note | Ref | Note: Replacement Decals Must be Ordered Separately - See DECALS SECTION. | |
| 1 | 2080040 | 16 | Fastener, Huck | |
| 2 | 2600281 | 2 | Hinge | |
| 3 | 2940074 | 1 | Latch | |
| 4 | 3520072 | 3 | Plug | |
| 5 | 3520198 | 2 | Plug | |
| 6 | 3820020 | 4 | Rivet | |
| 7 | 1001144629 | 1 | Gate | |
| 8 | See Note | NSS | Platform (Note: Not Available - Purchase Platform Assembly) | |

SECTION 5 - PLATFORM

FIGURE 5-6. PLATFORM ASSEMBLY WITH DROP-BAR - 30IN X 6FT (76CM X 1.83M)



ART_1001186378

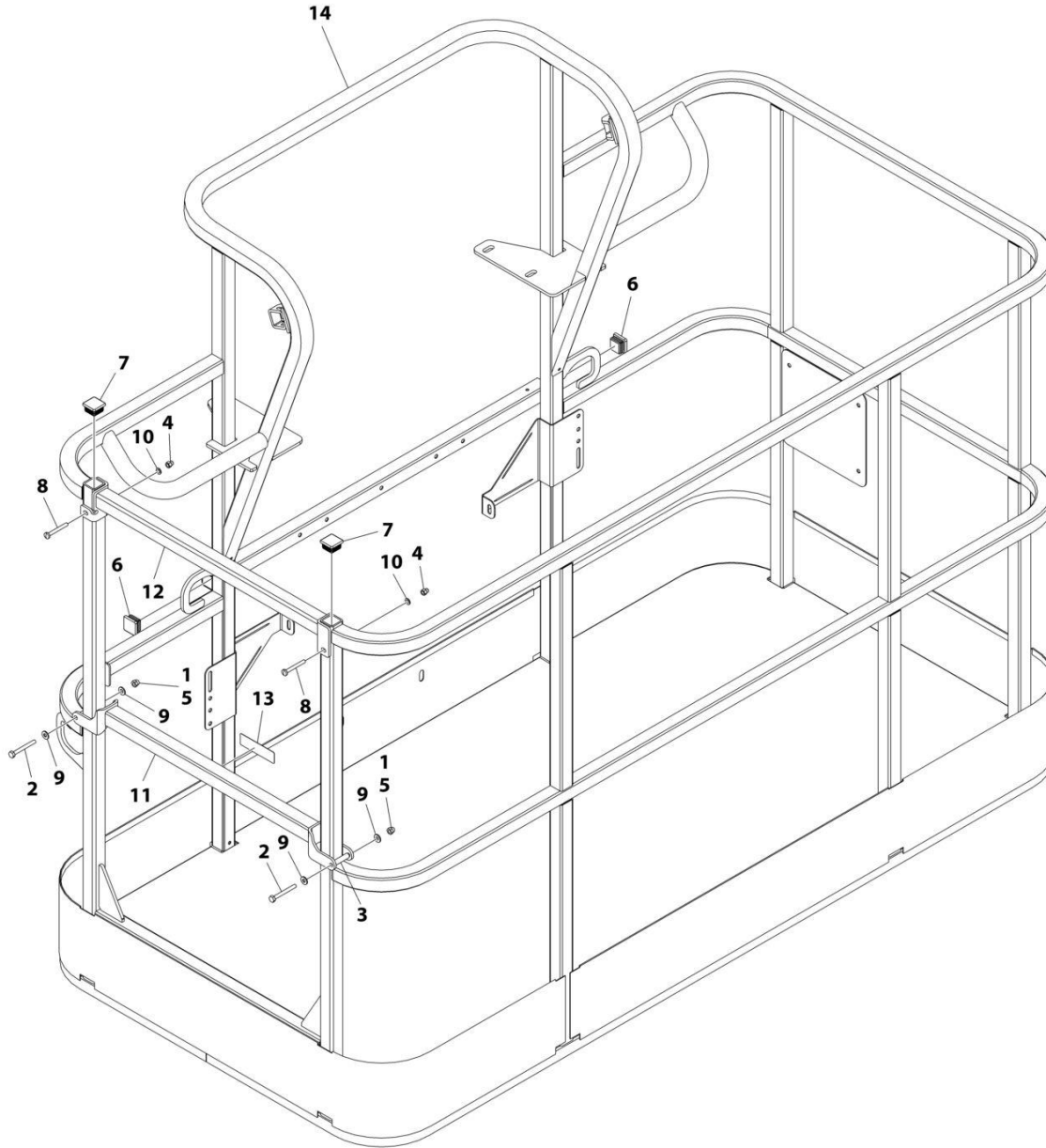
SECTION 5 - PLATFORM

FIGURE 5-6. PLATFORM ASSEMBLY WITH DROP-BAR - 30IN X 6FT (76CM X 1.83M)

| ITEM | PART NUMBER | QTY | DESCRIPTION | REV |
|------|-------------|-----|---|-----|
| | 1001186378 | Ref | PLATFORM ASSEMBLY | C |
| | | Ref | Note: Platform and Mesh must be ordered separately for Platforms with Mesh. See SPECIAL OPTIONS SECTION for Mesh Installations. | |
| | | Ref | Note: Replacement Decals Must be Ordered Separately - See DECALS SECTION. | |
| 1 | 0100011 | AR | Compound, Locking | |
| 2 | 0641418 | 2 | Bolt 1/4 x 2-1/4 | |
| 3 | 0961845 | 2 | Bushing | |
| 4 | 3290606 | 2 | Nut M6 | |
| 5 | 3300151 | 2 | Nut 1/4 | |
| 6 | 3520072 | 2 | Plug | |
| 7 | 3520198 | 2 | Plug | |
| 8 | 4010618 | 2 | Screw M6 x 50 | |
| 9 | 4711400 | 4 | Washer 1/4 | |
| 10 | 4811700 | 2 | Washer M6 | |
| 11 | 1001138494 | 1 | Bar, Drop | |
| 12 | 1001138514 | 1 | Rail (Top) | |
| 13 | 1001140429 | 1 | Decal - Drop Bar | |
| 14 | See Note | NSS | Platform (Note: Not Available - Purchase Platform Assembly) | |

SECTION 5 - PLATFORM

FIGURE 5-7. PLATFORM ASSEMBLY WITH DROP-BAR - 36IN X 6FT (91.5CM X 1.83M)



ART_1001186379

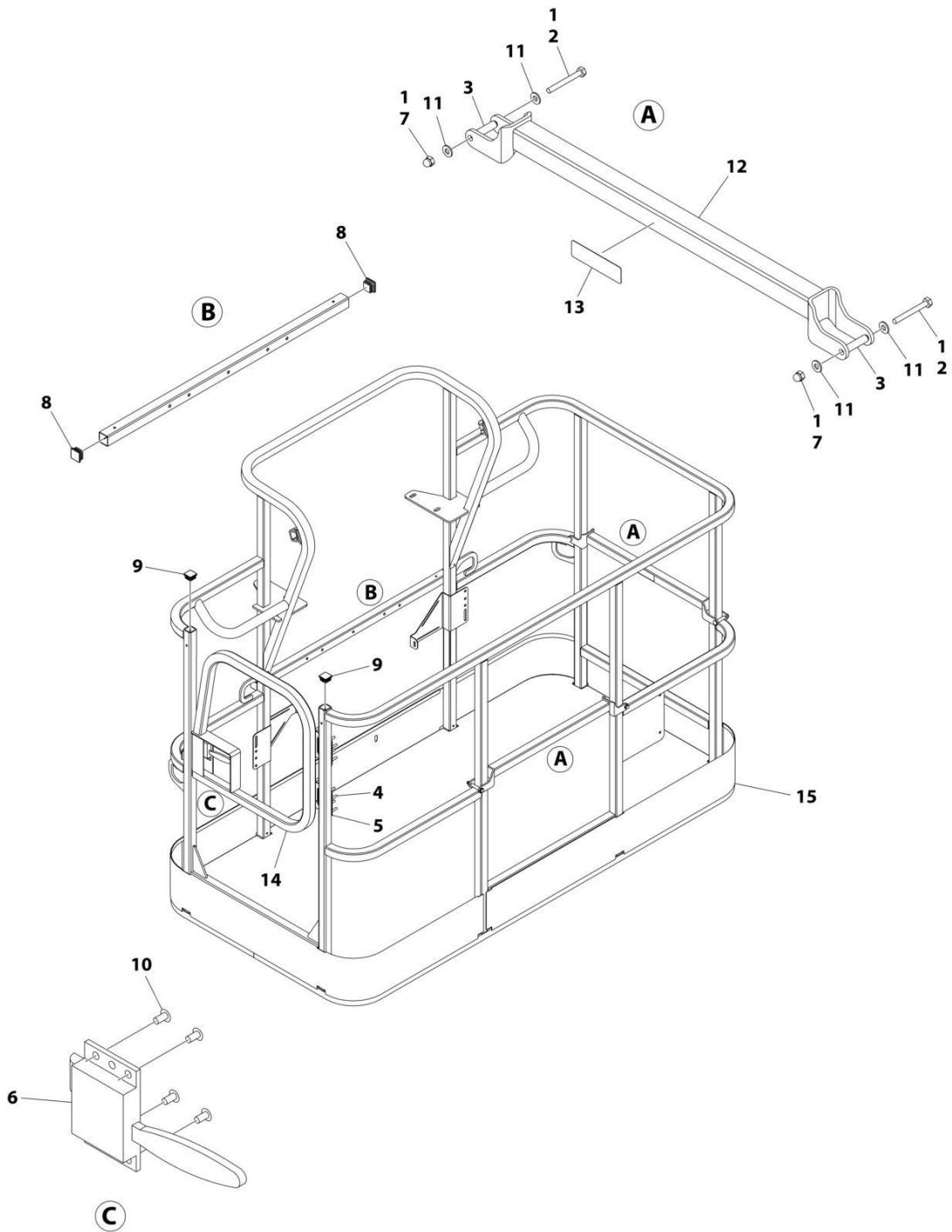
SECTION 5 - PLATFORM

FIGURE 5-7. PLATFORM ASSEMBLY WITH DROP-BAR - 36IN X 6FT (91.5CM X 1.83M)

| ITEM | PART NUMBER | QTY | DESCRIPTION | REV |
|------|-------------|-----|---|-----|
| | 1001186379 | Ref | PLATFORM ASSEMBLY - 36IN X 6FT (91.5CM X 1.83M) WITH DROP BAR | B |
| | | Ref | Note: Platform and Mesh must be ordered separately for Platforms with Mesh. See SPECIAL OPTIONS SECTION for Mesh Installations. | |
| | | Ref | Note: Replacement Decals Must be Ordered Separately - See DECALS SECTION. | |
| 1 | 0100011 | AR | Compound, Locking | |
| 2 | 0641418 | 2 | Bolt 1/4 x 2-1/4 | |
| 3 | 0961845 | 2 | Bushing | |
| 4 | 3290606 | 2 | Nut M6 | |
| 5 | 3300151 | 2 | Nut 1/4 | |
| 6 | 3520072 | 2 | Plug | |
| 7 | 3520198 | 2 | Plug | |
| 8 | 4010618 | 2 | Screw M6 x 50 | |
| 9 | 4711400 | 4 | Washer 1/4 | |
| 10 | 4811700 | 2 | Washer M6 | |
| 11 | 1001138494 | 1 | Bar, Drop | |
| 12 | 1001138514 | 1 | Rail (Top) | |
| 13 | 1001140429 | 1 | Decal - Drop Bar | |
| 14 | See Note | NSS | Platform (Note: Not Available - Purchase Platform Assembly) | |

SECTION 5 - PLATFORM

FIGURE 5-8. PLATFORM ASSEMBLY WITH 1 GATE / 2 DROP BARS (TRI-ENTRY) - 36IN X 6FT (91.5CM X 1.83M)



ART_1001228376

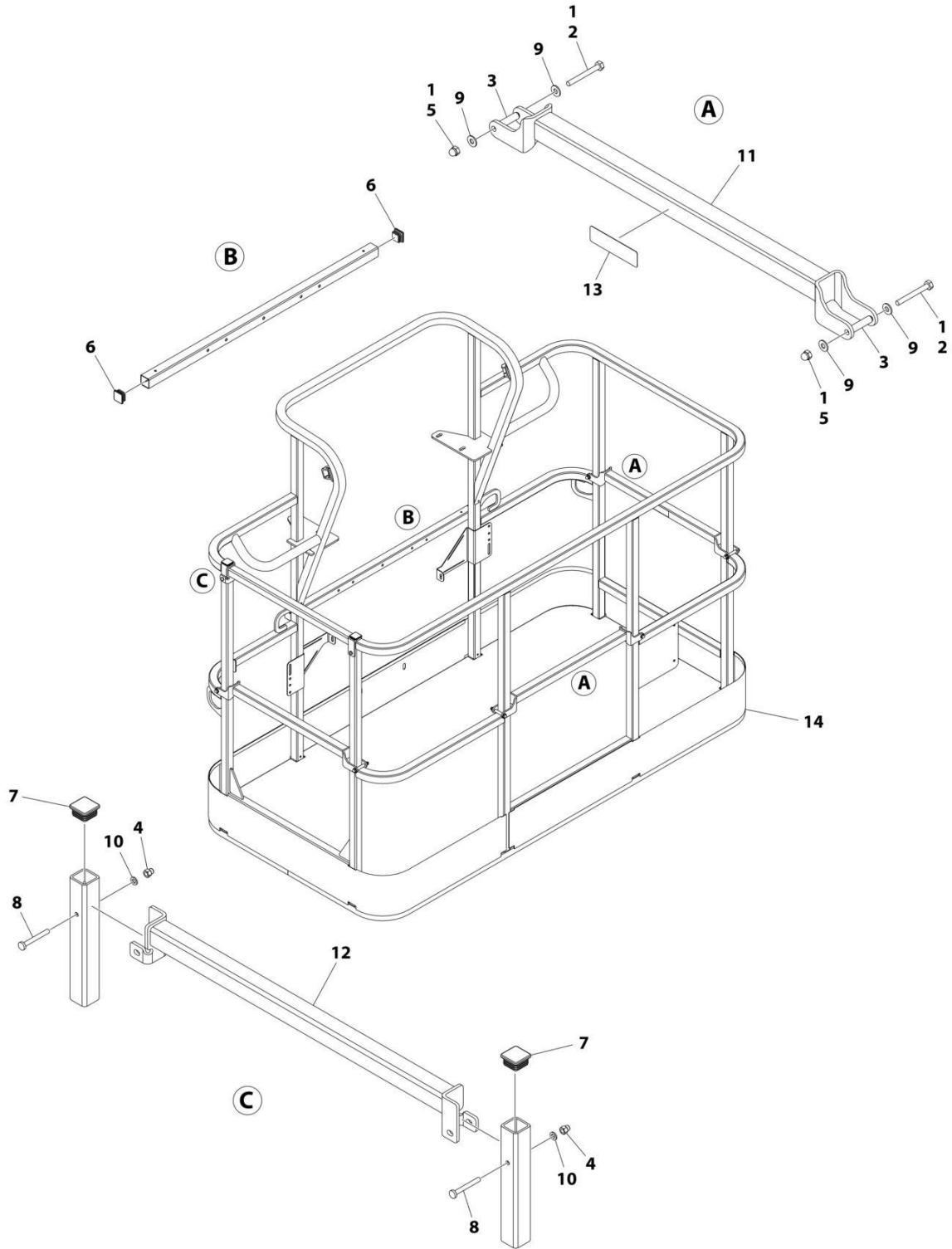
SECTION 5 - PLATFORM

**FIGURE 5-8. PLATFORM ASSEMBLY WITH 1 GATE / 2 DROP BARS (TRI-ENTRY) - 36IN X 6FT
(91.5CM X 1.83M)**

| ITEM | PART NUMBER | QTY | DESCRIPTION | REV |
|------|-------------|-----|---|-----|
| | 1001228376 | Ref | PLATFORM ASSEMBLY - 36IN x 6FT (91.5CM x 1.83M) | B |
| | | Ref | Note: Platform and Mesh must be ordered separately for Platforms with Mesh. See SPECIAL OPTIONS SECTION for Mesh Installations. | |
| | | Ref | Note: Replacement Decals Must be Ordered Separately - See DECAL SECTION. | |
| 1 | 0100011 | AR | Compound, Locking | |
| 2 | 0641418 | 4 | Bolt 1/4 x 2-1/4 | |
| 3 | 0961845 | 4 | Bushing | |
| 4 | 2080040 | 16 | Fastener | |
| 5 | 2600281 | 2 | Hinge | |
| 6 | 2940074 | 1 | Latch | |
| 7 | 3300151 | 4 | Nut 1/4 | |
| 8 | 3520072 | 3 | Plug | |
| 9 | 3520198 | 2 | Plug | |
| 10 | 3820020 | 4 | Rivet | |
| 11 | 4711400 | 8 | Washer 1/4 | |
| 12 | 1001138494 | 2 | Bar, Drop | |
| 13 | 1001140429 | 2 | Decal - Drop Bar | |
| 14 | 1001144629 | 1 | Gate | |
| 15 | See Note | NSS | Platform (Note: Not Available - Purchase Platform Assembly) | |

SECTION 5 - PLATFORM

FIGURE 5-9. PLATFORM ASSEMBLY WITH 3 DROP BARS (TRI-ENTRY) - 36IN X 6FT (91.5CM X 1.83M)



ART_1001228377

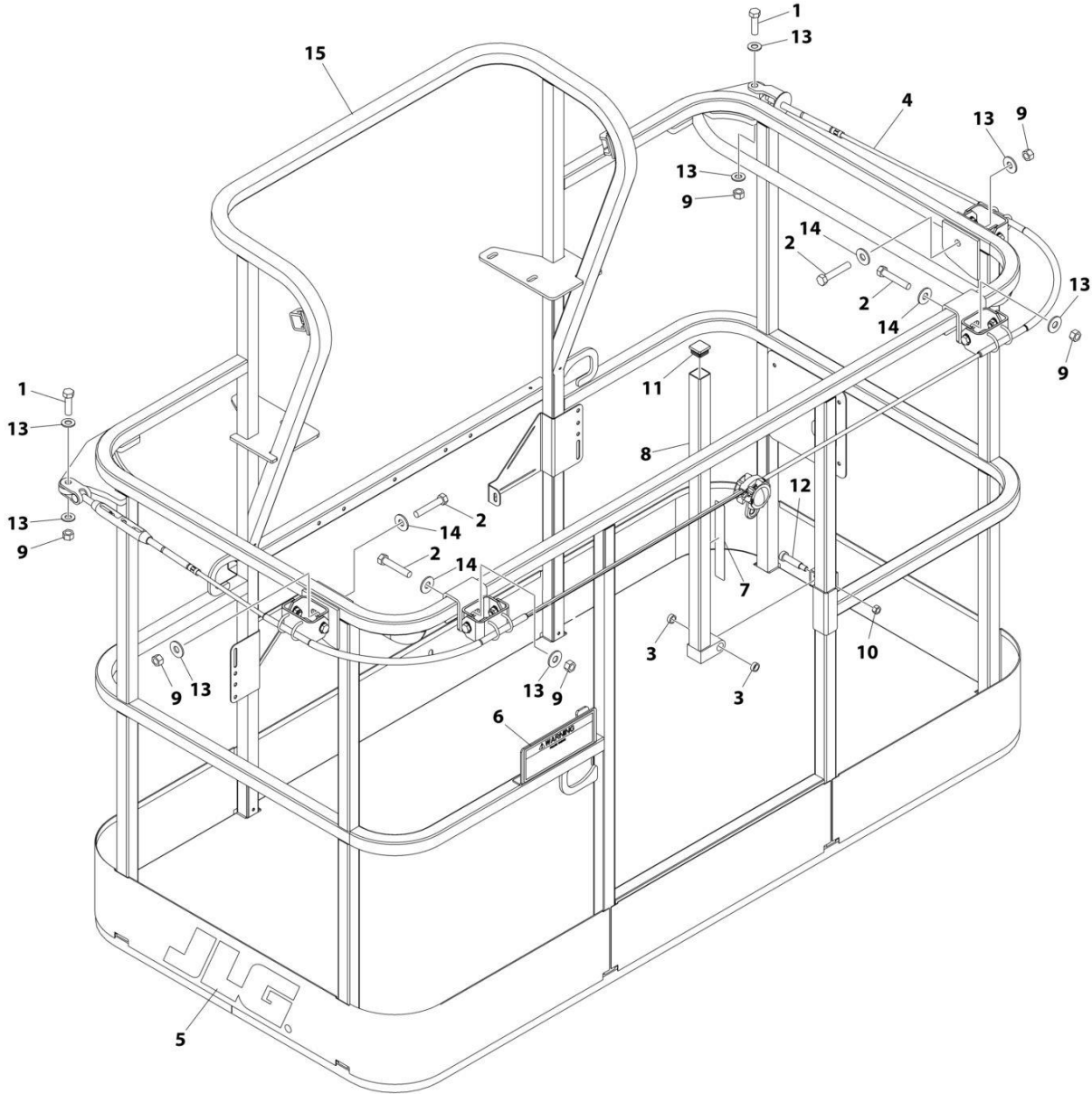
SECTION 5 - PLATFORM

FIGURE 5-9. PLATFORM ASSEMBLY WITH 3 DROP BARS (TRI-ENTRY) - 36IN X 6FT (91.5CM X 1.83M)

| ITEM | PART NUMBER | QTY | DESCRIPTION | REV |
|------|-------------|-----|---|-----|
| | 1001228377 | Ref | PLATFORM ASSEMBLY - 36IN x 6FT (91.5CM x 1.83M) | B |
| | | Ref | Note: Platform and Mesh must be ordered separately for Platforms with Mesh. See SPECIAL OPTIONS SECTION for Mesh Installations. | |
| | | Ref | Note: Replacement Decals Must be Ordered Separately - See DECAL SECTION. | |
| 1 | 0100011 | 1 | Compound, Locking | |
| 2 | 0641418 | 6 | Bolt 1/4 x 2-1/4 | |
| 3 | 0961845 | 6 | Bushing | |
| 4 | 3290606 | 2 | Nut M6 | |
| 5 | 3300151 | 6 | Nut 1/4 | |
| 6 | 3520072 | 2 | Plug | |
| 7 | 3520198 | 2 | Plug | |
| 8 | 4010618 | 2 | Screw M6 x 50 | |
| 9 | 4711400 | 12 | Washer 1/4 | |
| 10 | 4811700 | 2 | Washer M6 | |
| 11 | 1001138494 | 3 | Bar, Drop | |
| 12 | 1001138514 | 1 | Rail (Top) | |
| 13 | 1001140429 | 3 | Decal - Drop Bar | |
| 14 | See Note | NSS | Platform, Weldment (Note: Not Available - Purchase Platform Assembly) | |

SECTION 5 - PLATFORM

FIGURE 5-10. PLATFORM ASSEMBLY WITH FALL ARREST (6FT)



ART_1001186333

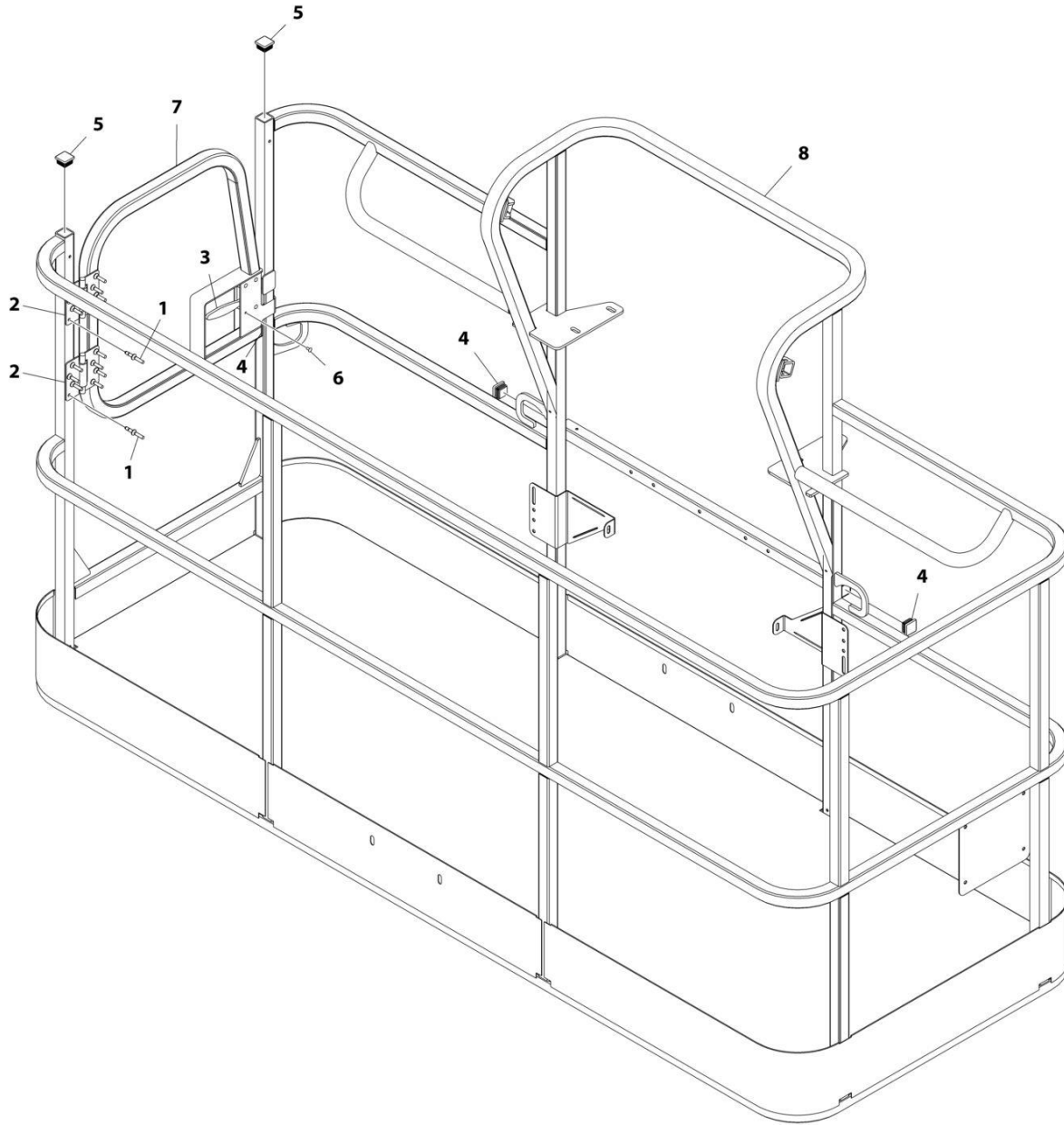
SECTION 5 - PLATFORM

FIGURE 5-10. PLATFORM ASSEMBLY WITH FALL ARREST (6FT)

| ITEM | PART NUMBER | QTY | DESCRIPTION | REV |
|------|-------------|-----|---|-----|
| | 1001186333 | Ref | PLATFORM ASSEMBLY | C |
| | | Ref | Note: Replacement Decals Must be Ordered Separately - See DECALS SECTION. | |
| 1 | 0681814 | 2 | Bolt 1/2 x 1-3/4 Grade 8 | |
| 2 | 0681822 | 4 | Bolt 1/2 x 2-3/4 Grade 8 | |
| 3 | 0962270 | 2 | Bearing | |
| 4 | 1001203655 | 1 | Cable | |
| 5 | 1702773 | 1 | Decal - JLG | |
| 6 | 1705014 | 1 | Decal - Safety | |
| 7 | 1706385 | 1 | Decal - Drop Bar | |
| 8 | 2410014 | 1 | Bar, Drop | |
| 9 | 3271805 | 6 | Nut 1/2 Grade 8 | |
| 10 | 3311605 | 1 | Nut 3/8 | |
| 11 | 3520072 | 1 | Plug | |
| 12 | 3900054 | 1 | Bolt 1/2 x 1-3/4 | |
| 13 | 4711800 | 8 | Washer 1/2 | |
| 14 | 4751800 | 4 | Washer 1/2 | |
| 15 | See Note | NSS | Platform (Note: Not Available - Purchase Platform Assembly) | |

SECTION 5 - PLATFORM

FIGURE 5-11. PLATFORM ASSEMBLY WITH GATE - 36IN X 8FT (91.5CM X 2.44M)



ART_1001186383

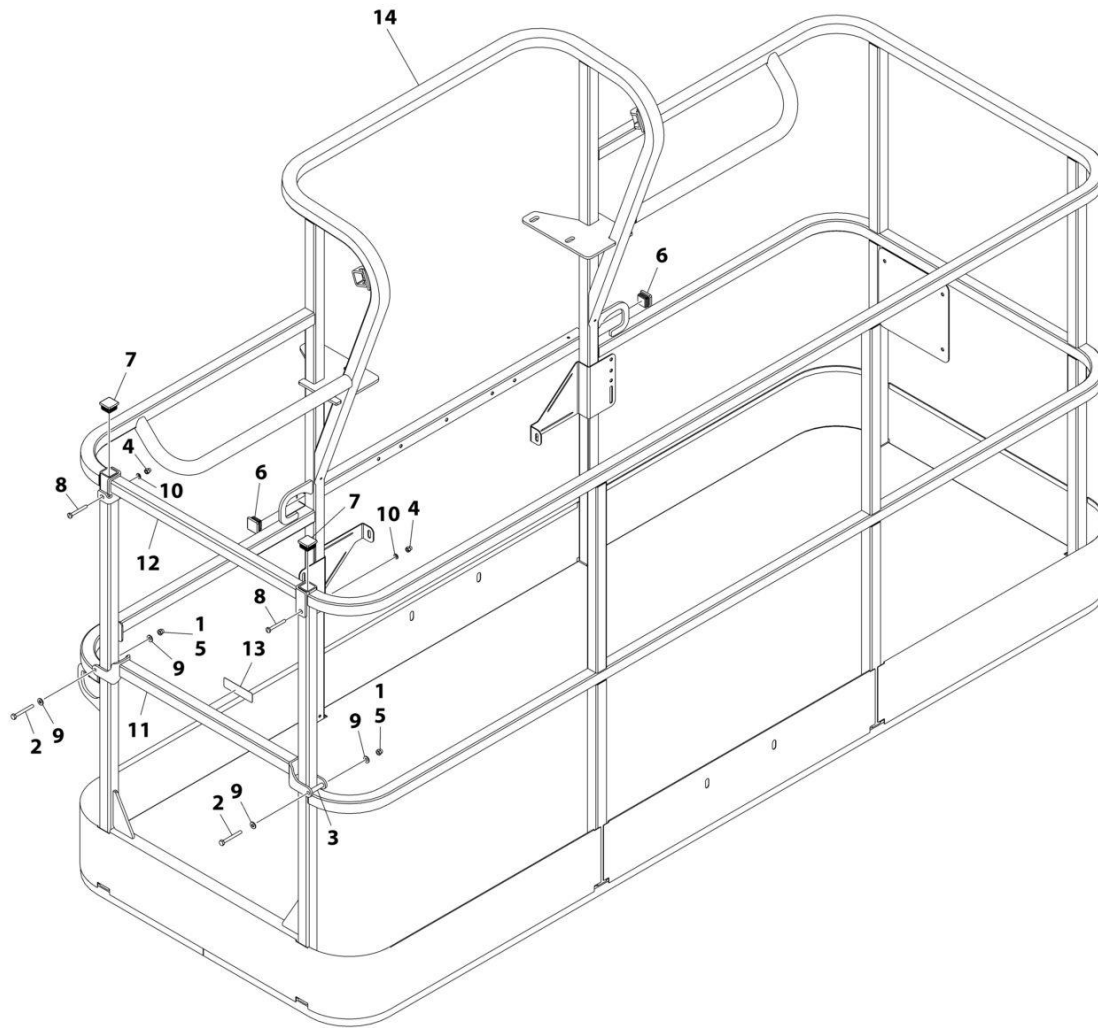
SECTION 5 - PLATFORM

FIGURE 5-11. PLATFORM ASSEMBLY WITH GATE - 36IN X 8FT (91.5CM X 2.44M)

| ITEM | PART NUMBER | QTY | DESCRIPTION | REV |
|------|-------------|-----|---|-----|
| | 1001186383 | Ref | PLATFORM ASSEMBLY - 36IN X 8FT (91.5CM X 2.44M) WITH SWING GATE | D |
| | | Ref | Note: Platform and Mesh must be ordered separately for Platforms with Mesh. See SPECIAL OPTIONS SECTION for Mesh Installations. | |
| | | Ref | Note: Replacement Decals Must be Ordered Separately - See DECALS SECTION. | |
| 1 | 2080040 | 16 | Fastener, Huck | |
| 2 | 2600281 | 2 | Hinge | |
| 3 | 2940074 | 1 | Latch | |
| 4 | 3520072 | 3 | Plug | |
| 5 | 3520198 | 2 | Plug | |
| 6 | 3820020 | 4 | Rivet | |
| 7 | 1001144629 | 1 | Gate | |
| 8 | See Note | NSS | Platform (Note: Not Available - Purchase Platform Assembly) | |

SECTION 5 - PLATFORM

FIGURE 5-12. PLATFORM ASSEMBLY WITH DROP-BAR - 36IN X 8FT (91.5CM X 2.44M)



ART_1001186382

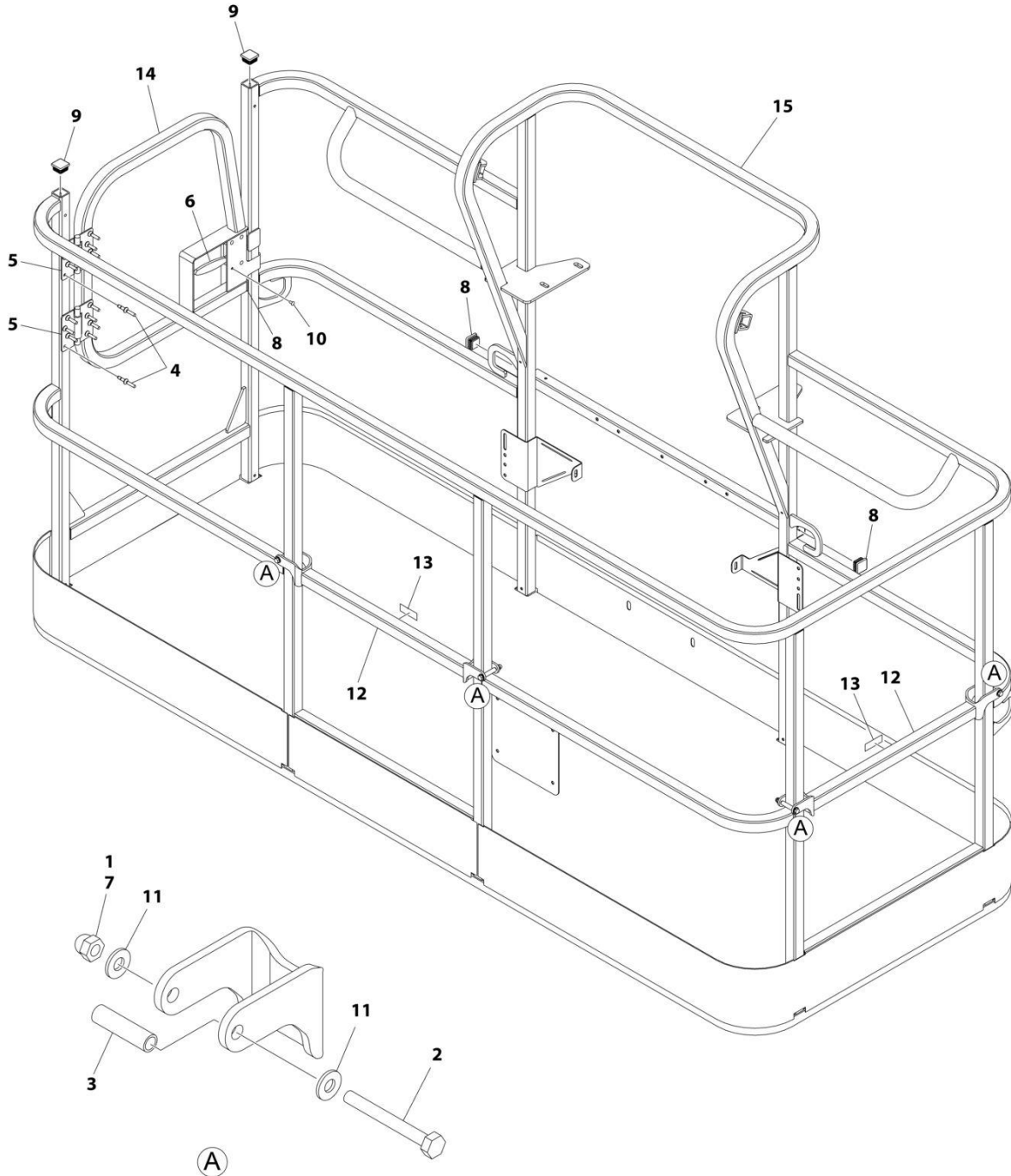
SECTION 5 - PLATFORM

FIGURE 5-12. PLATFORM ASSEMBLY WITH DROP-BAR - 36IN X 8FT (91.5CM X 2.44M)

| ITEM | PART NUMBER | QTY | DESCRIPTION | REV |
|------|-------------|-----|---|-----|
| | 1001186382 | Ref | PLATFORM ASSEMBLY - 36IN X 8FT (91.5CM X 2.44M) WITH DROP BAR | C |
| | | Ref | Note: Platform and Mesh must be ordered separately for Platforms with Mesh. See SPECIAL OPTIONS SECTION for Mesh Installations. | |
| | | Ref | Note: Replacement Decals Must be Ordered Separately - See DECALS SECTION. | |
| 1 | 0100011 | AR | Compound, Locking | |
| 2 | 0641418 | 2 | Bolt 1/4 x 2-1/4 | |
| 3 | 0961845 | 2 | Bushing | |
| 4 | 3290606 | 2 | Nut M6 | |
| 5 | 3300151 | 2 | Nut 1/4 | |
| 6 | 3520072 | 2 | Plug | |
| 7 | 3520198 | 2 | Plug | |
| 8 | 4010618 | 2 | Screw M6 x 50 | |
| 9 | 4711400 | 4 | Washer 1/4 | |
| 10 | 4811700 | 2 | Washer M6 | |
| 11 | 1001138494 | 1 | Bar, Drop | |
| 12 | 1001138514 | 1 | Rail (Top) | |
| 13 | 1001140429 | 1 | Decal - Drop Bar | |
| 14 | See Note | NSS | Platform (Note: Not Available - Purchase Platform Assembly) | |

SECTION 5 - PLATFORM

FIGURE 5-13. PLATFORM ASSEMBLY WITH 1 GATE / 2 DROP BARS (TRI-ENTRY) - 36IN X 8FT
(91.5CM X 2.44M)



ART_1001228243

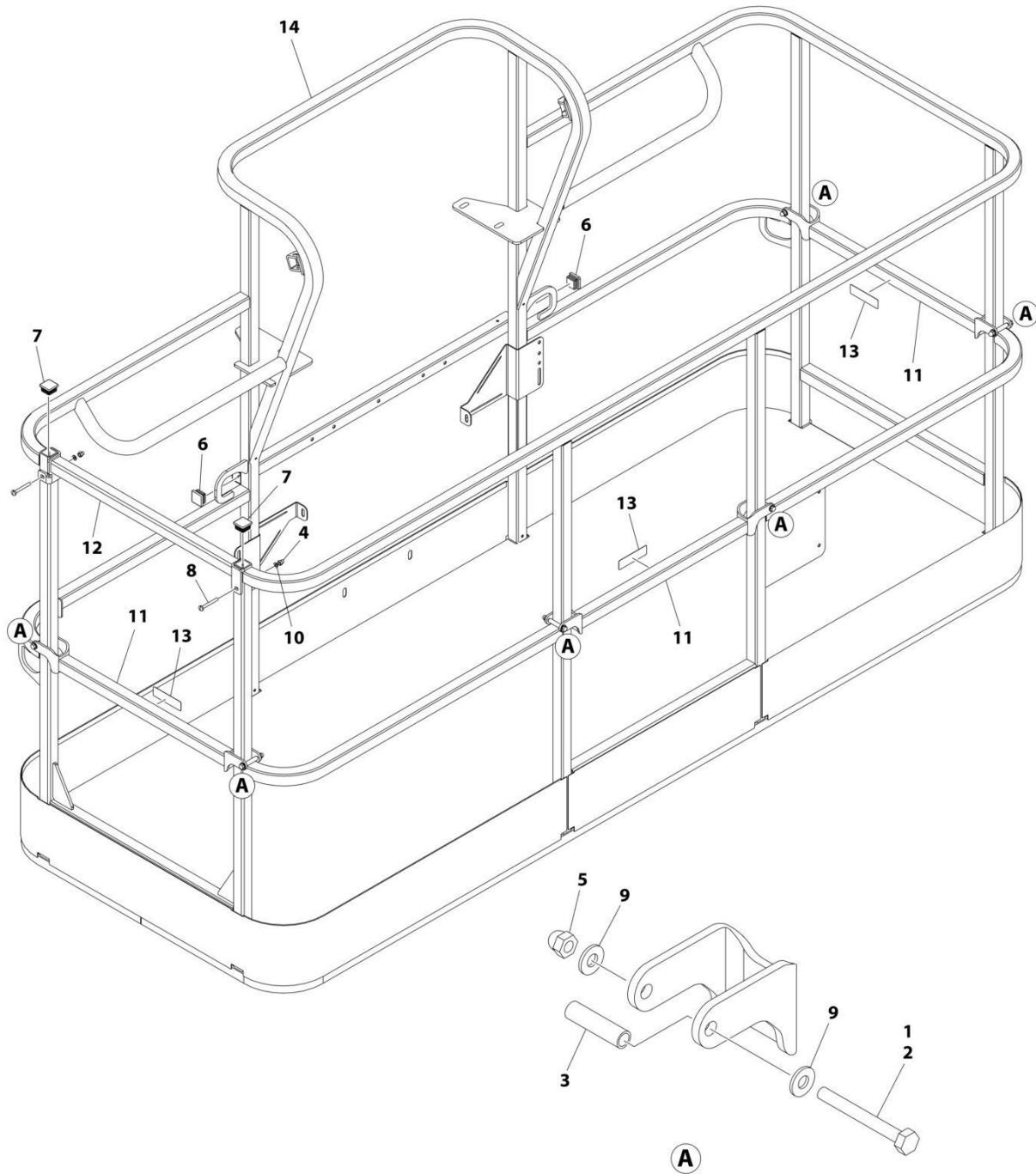
SECTION 5 - PLATFORM

**FIGURE 5-13. PLATFORM ASSEMBLY WITH 1 GATE / 2 DROP BARS (TRI-ENTRY) - 36IN X 8FT
(91.5CM X 2.44M)**

| ITEM | PART NUMBER | QTY | DESCRIPTION | REV |
|------|-------------|-----|---|-----|
| | 1001228243 | Ref | PLATFORM ASSEMBLY - 36IN X 8FT (91.5CM X 2.44M) WITH TRI-ENTRY | A |
| | | Ref | Note: Platform and Mesh must be ordered separately for Platforms with Mesh. See SPECIAL OPTIONS SECTION for Mesh Installations. | |
| 1 | 0100011 | AR | Compound, Locking | |
| 2 | 0641418 | 4 | Bolt 1/4 x 2-1/4 | |
| 3 | 0961845 | 4 | Bushing | |
| 4 | 2080040 | 16 | Fastener, Huck | |
| 5 | 2600281 | 2 | Hinge, Self-Closing | |
| 6 | 2940074 | 1 | Latch | |
| 7 | 3300151 | 4 | Nut 1/4 | |
| 8 | 3520072 | 3 | Cap, Plug | |
| 9 | 3520198 | 2 | Cap, Plug | |
| 10 | 3820020 | 4 | Rivet | |
| 11 | 4711400 | 8 | Washer 1/4 | |
| 12 | 1001138494 | 2 | Bar, Drop | |
| 13 | 1001140429 | 2 | Decal - Drop Bar | |
| 14 | 1001144629 | 1 | Gate, Weldment | |
| 15 | See Note | 1 | Platform (Note: Not Available - Purchase Platform Assembly) | |

SECTION 5 - PLATFORM

FIGURE 5-14. PLATFORM ASSEMBLY WITH 3 DROP BARS (TRI-ENTRY) - 36IN X 8FT (91.5CM X 2.44M)



ART_1001228375

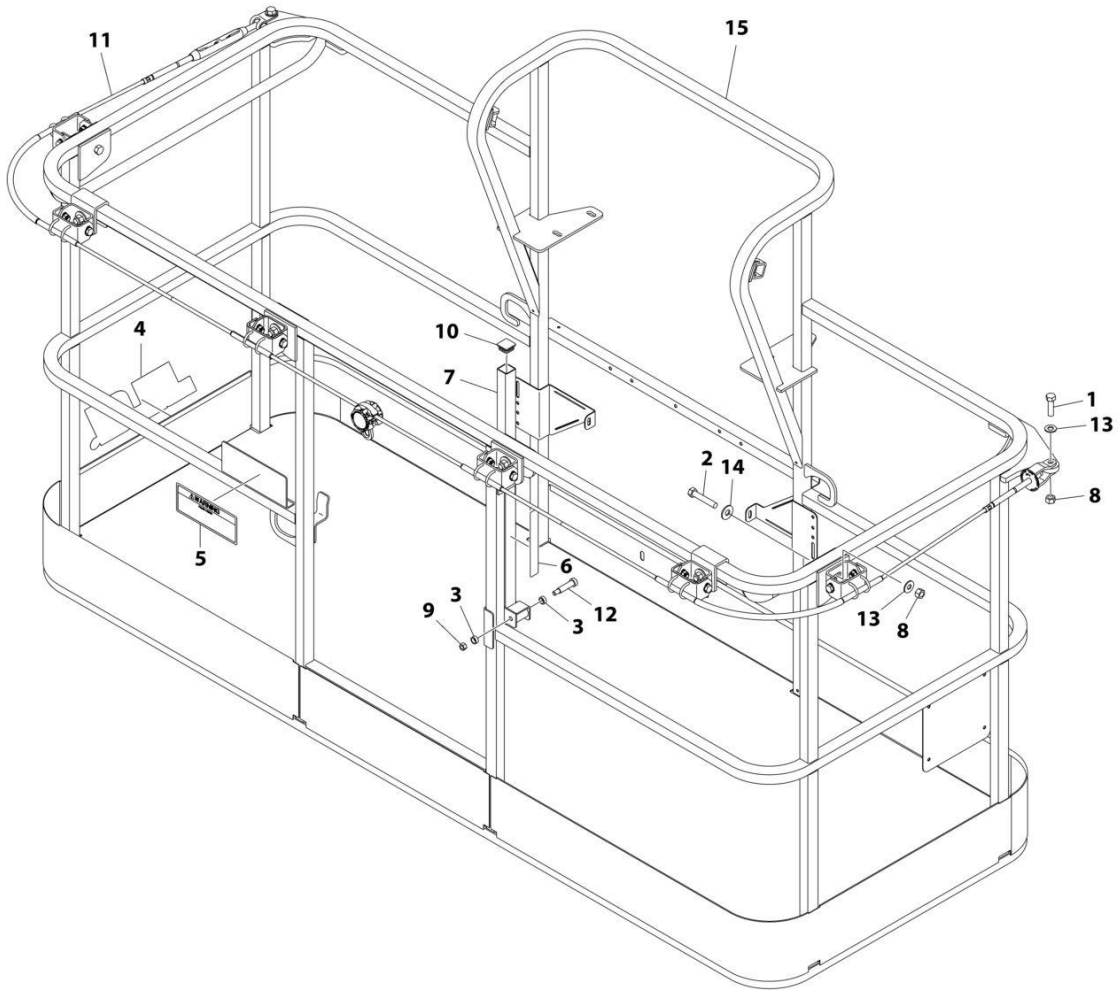
SECTION 5 - PLATFORM

FIGURE 5-14. PLATFORM ASSEMBLY WITH 3 DROP BARS (TRI-ENTRY) - 36IN X 8FT (91.5CM X 2.44M)

| ITEM | PART NUMBER | QTY | DESCRIPTION | REV |
|------|-------------|-----|---|-----|
| | 1001228375 | Ref | PLATFORM ASSEMBLY - 36IN X 8FT (91.5CM X 2.44M) WITH TRI-ENTRY | A |
| | | Ref | Note: Platform and Mesh must be ordered separately for Platforms with Mesh. See SPECIAL OPTIONS SECTION for Mesh Installations. | |
| | | Ref | Note: Replacement Decals Must be Ordered Separately - See DECAL SECTION. | |
| 1 | 0100011 | AR | Compound, Locking | |
| 2 | 0641418 | 6 | Bolt 1/4 x 2-1/4 | |
| 3 | 0961845 | 6 | Bushing | |
| 4 | 3290606 | 2 | Nut M6 x 1 | |
| 5 | 3300151 | 6 | Nut 1/4 | |
| 6 | 3520072 | 2 | Cap, Plug | |
| 7 | 3520198 | 2 | Cap, Plug | |
| 8 | 4010618 | 2 | Screw M6 x 50 | |
| 9 | 4711400 | 12 | Washer 1/4 | |
| 10 | 4811700 | 2 | Washer M6 | |
| 11 | 1001138494 | 3 | Bar, Drop | |
| 12 | 1001138514 | 1 | Rail (Top) | |
| 13 | 1001140429 | 3 | Decal - Drop Bar | |
| 14 | See Note | 1 | Platform (Note: Not Available - Purchase Platform Assembly) | |

SECTION 5 - PLATFORM

FIGURE 5-15. PLATFORM ASSEMBLY WITH FALL ARREST (8FT)



ART_1001186334

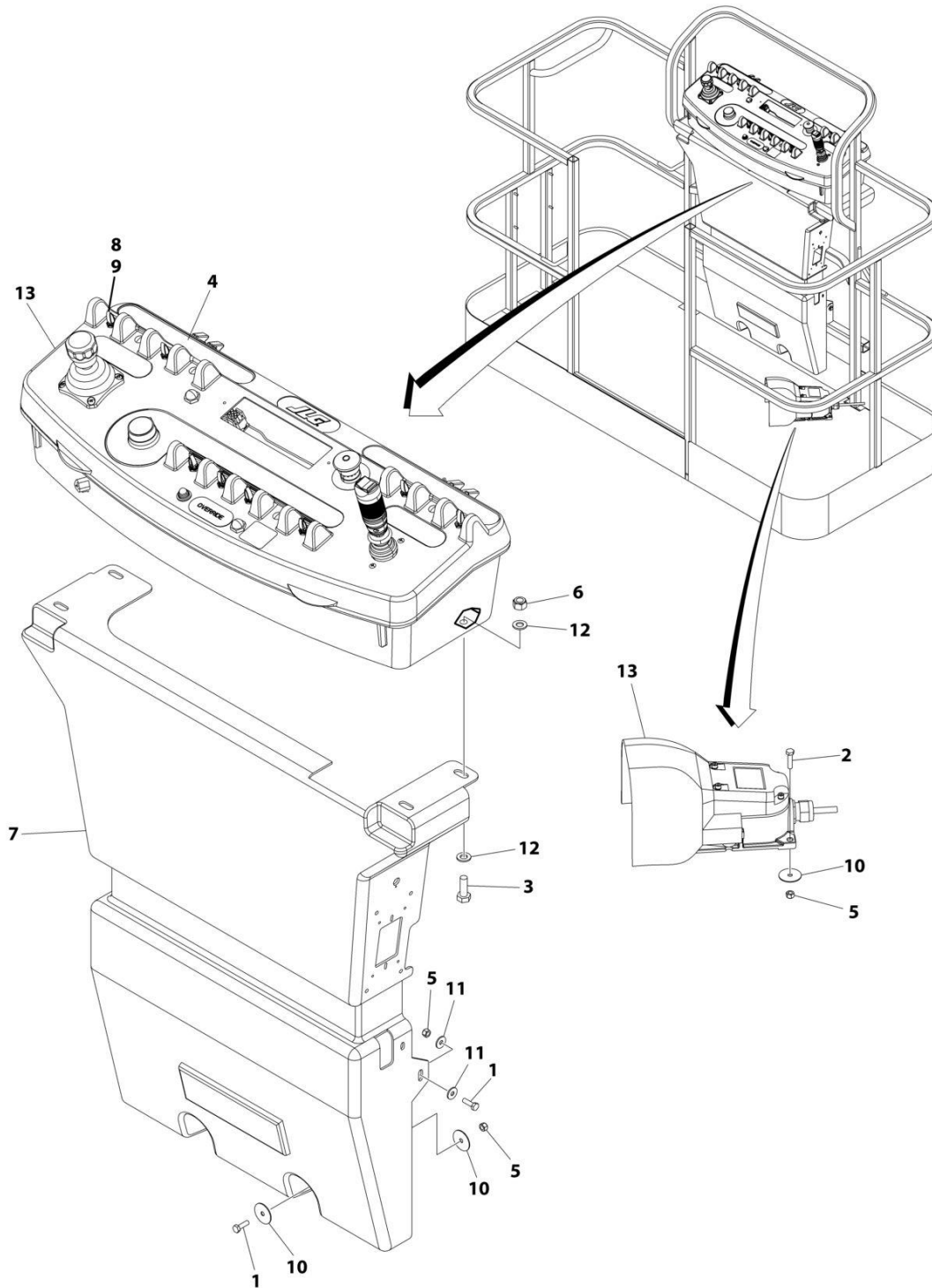
SECTION 5 - PLATFORM

FIGURE 5-15. PLATFORM ASSEMBLY WITH FALL ARREST (8FT)

| ITEM | PART NUMBER | QTY | DESCRIPTION | REV |
|------|-------------|-----|---|-----|
| | 1001186334 | Ref | PLATFORM ASSEMBLY | D |
| | | Ref | Note: Replacement Decals Must be Ordered Separately - See DECALS SECTION. | |
| 1 | 0681814 | 2 | Bolt 1/2 x 1-3/4 Grade 8 | |
| 2 | 0681822 | 6 | Bolt 1/2 x 2-3/4 Grade 8 | |
| 3 | 0962270 | 2 | Bearing | |
| 4 | 1702773 | 1 | Decal - JLG | |
| 5 | 1705014 | 1 | Decal - Safety | |
| 6 | 1706385 | 1 | Decal - Drop Bar | |
| 7 | 2410014 | 1 | Bar, Drop | |
| 8 | 3271805 | 8 | Nut 1/2 Grade 8 | |
| 9 | 3311605 | 1 | Nut 3/8 | |
| 10 | 3520072 | 1 | Plug | |
| 11 | 1001203656 | 1 | Cable | |
| 12 | 3900054 | 1 | Bolt 1/2 x 1-3/4 | |
| 13 | 4711800 | 2 | Washer 1/2 | |
| 14 | 4751800 | 6 | Washer 1/2 | |
| 15 | See Note | NSS | Platform (Note: Purchase Platform Assembly) | |

SECTION 5 - PLATFORM

FIGURE 5-16. CONSOLE AND FOOT SWITCH INSTALLATION



ART_1001243748

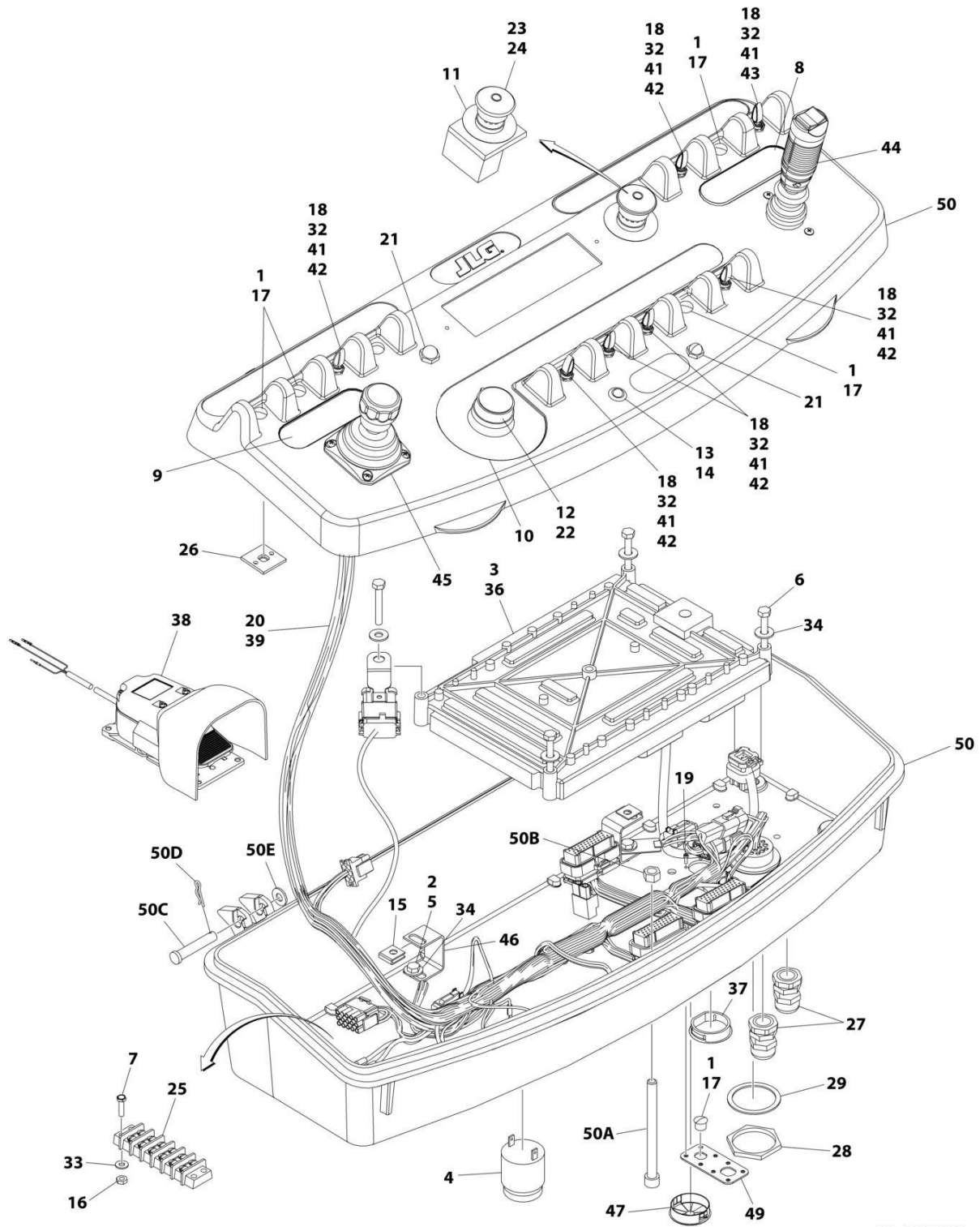
SECTION 5 - PLATFORM

FIGURE 5-16. CONSOLE AND FOOT SWITCH INSTALLATION

| ITEM | PART NUMBER | QTY | DESCRIPTION | REV |
|------|-------------|-----|--|-----|
| | 1001243748 | Ref | PLATFORM CONSOLE AND FOOTSWITCH INSTALLATION | C |
| 1 | 0641406 | 4 | Bolt 1/4 x 3/4 | |
| 2 | 0641408 | 3 | Bolt 1/4 x 1 | |
| 3 | 0641610 | 4 | Bolt 3/8 x 1-1/4 | |
| 4 | 1001184626 | 1 | Decal - Horn | |
| 5 | 3311405 | 7 | Nut 1/4 | |
| 6 | 3311605 | 4 | Nut 3/8 | |
| 7 | 3380434 | 1 | Panel | |
| 8 | 3790012 | 1 | O-Ring | |
| 9 | 4360331 | 1 | Switch, Toggle | |
| 10 | 4740362 | 7 | Washer | |
| 11 | 4751400 | 4 | Washer 1/4 | |
| 12 | 4761600 | 8 | Washer 3/8 | |
| 13 | 1001243723 | 1 | Platform Console Assembly (See Separate Breakdown in this Section) | |

SECTION 5 - PLATFORM

FIGURE 5-17. CONSOLE BOX ASSEMBLY WITH FOOTSWITCH



ART_1001243723

SECTION 5 - PLATFORM

FIGURE 5-17. CONSOLE BOX ASSEMBLY WITH FOOTSWITCH

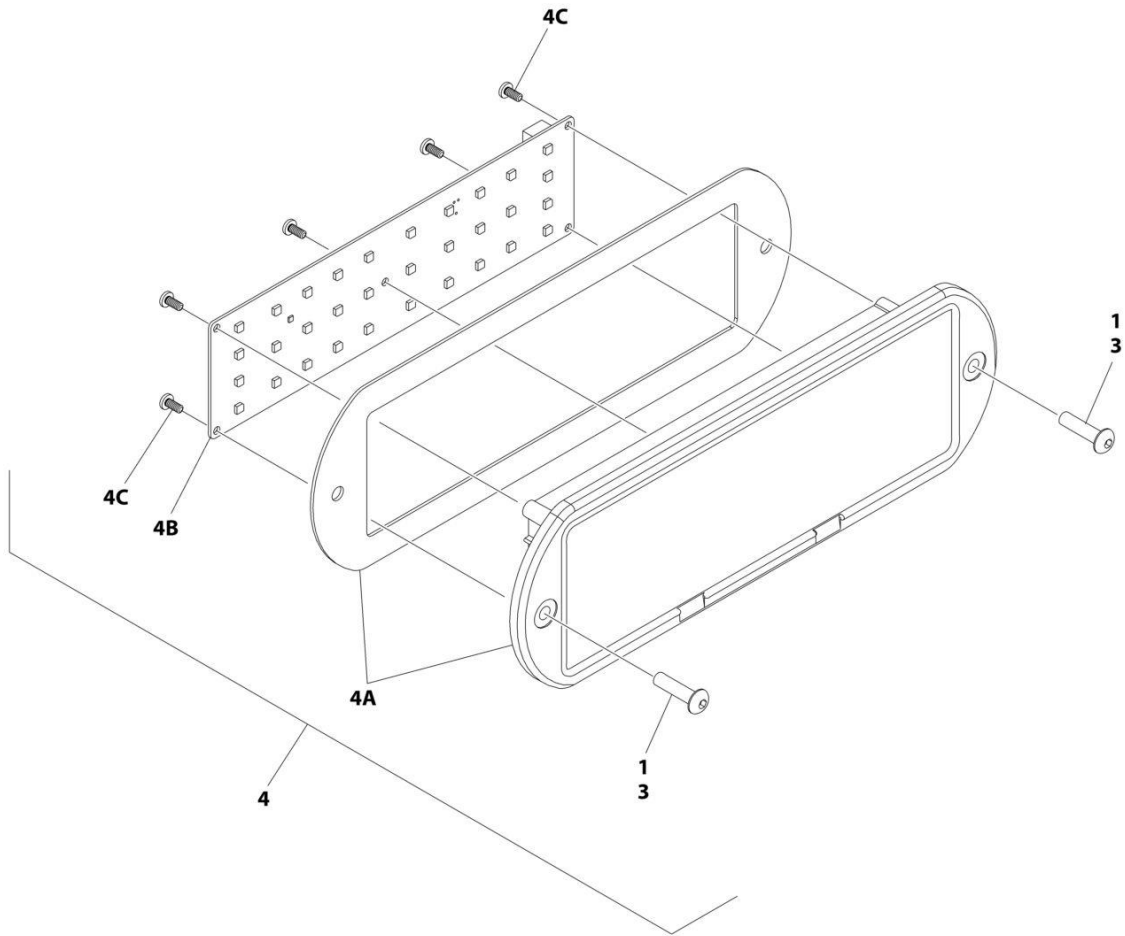
| ITEM | PART NUMBER | QTY | DESCRIPTION | REV |
|------|-------------|-----|--|-----|
| | 1001243723 | Ref | CONSOLE BOX ASSEMBLY | C |
| 1 | 0100009 | AR | Sealant | |
| 2 | 0100035 | AR | Compound, Locking | |
| 3 | 0100048 | AR | Grease, Dielectric | |
| 4 | 0140011 | 1 | Alarm | |
| 5 | 0641404 | 4 | Bolt 1/4 x 1/2 | |
| 6 | 0641414 | 4 | Bolt 1/4 x 1-3/4 | |
| 7 | 0721006 | 1 | Bolt #10 x 3/4 | |
| 8 | 1702565 | 1 | Decal - Drive and Steer | |
| 9 | 1702566 | 1 | Decal - Lift and Swing | |
| 10 | 1702567 | 1 | Decal - Function Speed | |
| 11 | 1704260 | 1 | Decal - Emergency Stop | |
| 12 | 2560136 | 1 | Handle, Knob | |
| 13 | 2920028 | 1 | Light, Indicator | |
| 14 | 2920029 | 1 | Bulb, Light | |
| 15 | 3300353 | 4 | Nut, Tinnerman | |
| 16 | 3311005 | 4 | Nut #10 | |
| 17 | 3520054 | 5 | Plug | |
| 18 | 3790012 | 7 | O-Ring | |
| 19 | 3900349 | 8 | Capscrew M2.5 x 8 | |
| 20 | 1001243984 | 1 | Platform Console Harness (See Separate Breakdown in ELECTRICAL SECTION) | |
| 21 | 4360387 | 2 | Switch, Push Button | |
| 22 | 4360407 | 1 | Controller, Speed | |
| 22 | 4460224 | 1 | Receptacle, Female - 6 Position | |
| 22 | 4460226 | 6 | Socket, Female | |
| 22 | See Note | 1 | Gasket "Top Hat" (Included with Switch) (Note: Not Available - Purchase Complete Controller) | |
| 22 | 70003784 | 1 | Seal | |
| 23 | 4360475 | 1 | Switch, Emergency Stop | |
| 23 | 7020175 | 1 | Cap, Red | |
| 23 | 7020176 | 1 | Block, Contact | |
| 24 | 4360476 | 1 | Contact, Switch | |
| 25 | 4460007 | 1 | Bussbar | |
| 26 | 4460234 | 3 | Mount, Tie-Strap | |
| 27 | 4460428 | 2 | Connector, Strain Relief | |
| 28 | 4460470 | 1 | Nut, Terminal | |
| 29 | 4460471 | 1 | Washer, Terminal | |
| 31 | 4460708 | 1 | Connector - 15 Position (Not Shown) | |
| 32 | 4740397 | 1 | Washer | |
| 33 | 4751000 | 2 | Washer #10 | |
| 34 | 4751400 | 8 | Washer 1/4 | |
| 35 | 4922666 | 1 | Analyzer Harness (Not SHown) | |
| 35 | 4460761 | 1 | Receptacle, Female - 4 Position | |
| 35 | 4460227 | 4 | Pin, Male | |
| 36 | 1001106938 | 1 | Module, Platform (Note: Re-calibration Required when Replaced) | |
| 37 | 1001110434 | 1 | Plug | |
| 38 | 1001117174 | 1 | Footswitch Assembly (See Separate Breakdown in this Section) | |
| 39 | 1001139135 | 1 | Boom Valve Harness (Not Shown - See Separate Breakdown in ELECTRICAL SECTION) | |

SECTION 5 - PLATFORM

| ITEM | PART NUMBER | QTY | DESCRIPTION | REV |
|------|-------------|-----|---|-----|
| 41 | 1001155044 | 7 | Nut 15/32 | |
| 42 | 1001155045 | 6 | Switch, Toggle | |
| 43 | 1001159256 | 1 | Switch, Toggle | |
| 44 | 1001166538 | NLA | Controller Assembly (Drive and Steer) (Use p/n 1001212415) (See Separate Breakdown in this Section) | |
| 45 | 1001166539 | NLA | Controller Assembly (Lift and Swing) (Use p/n 1001129555) (See Separate Breakdown in this Section) | |
| 46 | 1001172760 | 4 | Bracket | |
| 47 | 1001185281 | 1 | Plug | |
| 49 | 1001213882 | 1 | Mount | |
| 50 | 1001215228 | 1 | Console Box Assembly | |
| 50A | 0630568 | 1 | Capscrew 3/8 x 4-1/2 | |
| 50B | 3311601 | 1 | Nut 3/8 | |
| 50C | 3430616 | 2 | Pin | |
| 50D | 3470003 | 2 | Hairpin | |
| 50E | 4711600 | 2 | Washer 3/8 | |

SECTION 5 - PLATFORM

FIGURE 5-18. LIGHT PANEL INSTALLATION



ART_1001241403_20F2

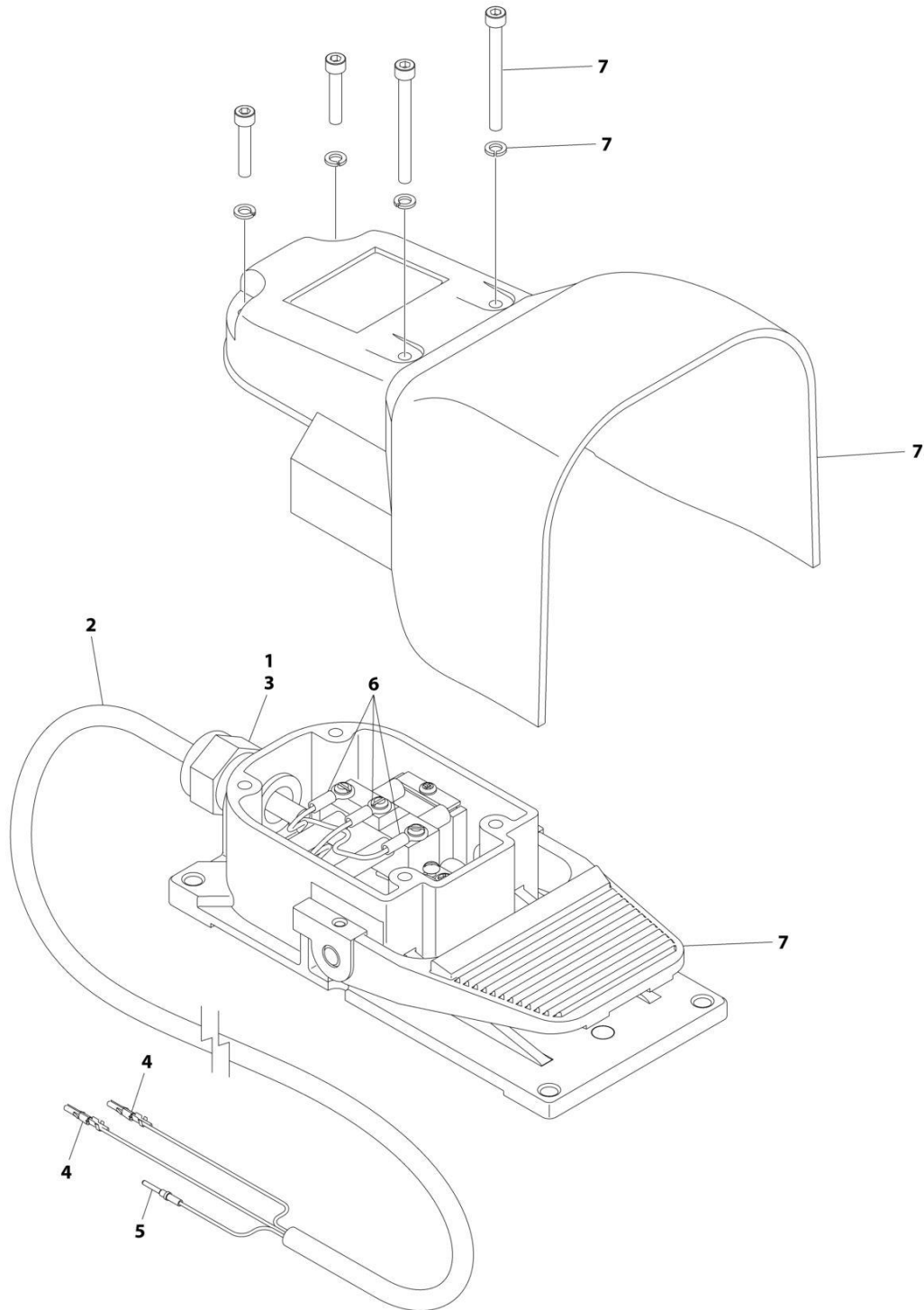
SECTION 5 - PLATFORM

FIGURE 5-18. LIGHT PANEL INSTALLATION

| ITEM | PART NUMBER | QTY | DESCRIPTION | REV |
|-------------|--------------------|------------|---|------------|
| | 1001241403 | Ref | LIGHT PANEL INSTALLATION - PLATFORM CONSOLE | C |
| 1 | 3300408 | 1 | Nut, Nylon Insert | |
| 3 | 0630518 | 2 | Screw #10 x 3/4 | |
| 4 | 1001238672 | 1 | Light Panel Electrical Assembly | G |
| 4A | 1001236089 | 1 | Lens, I-Con (Includes Gasket) | |
| 4B | 1001238732 | 1 | Panel, LED Light | |
| 4C | | Ref | Screw | |

SECTION 5 - PLATFORM

FIGURE 5-19. FOOTSWITCH ASSEMBLY



ART_1001117174

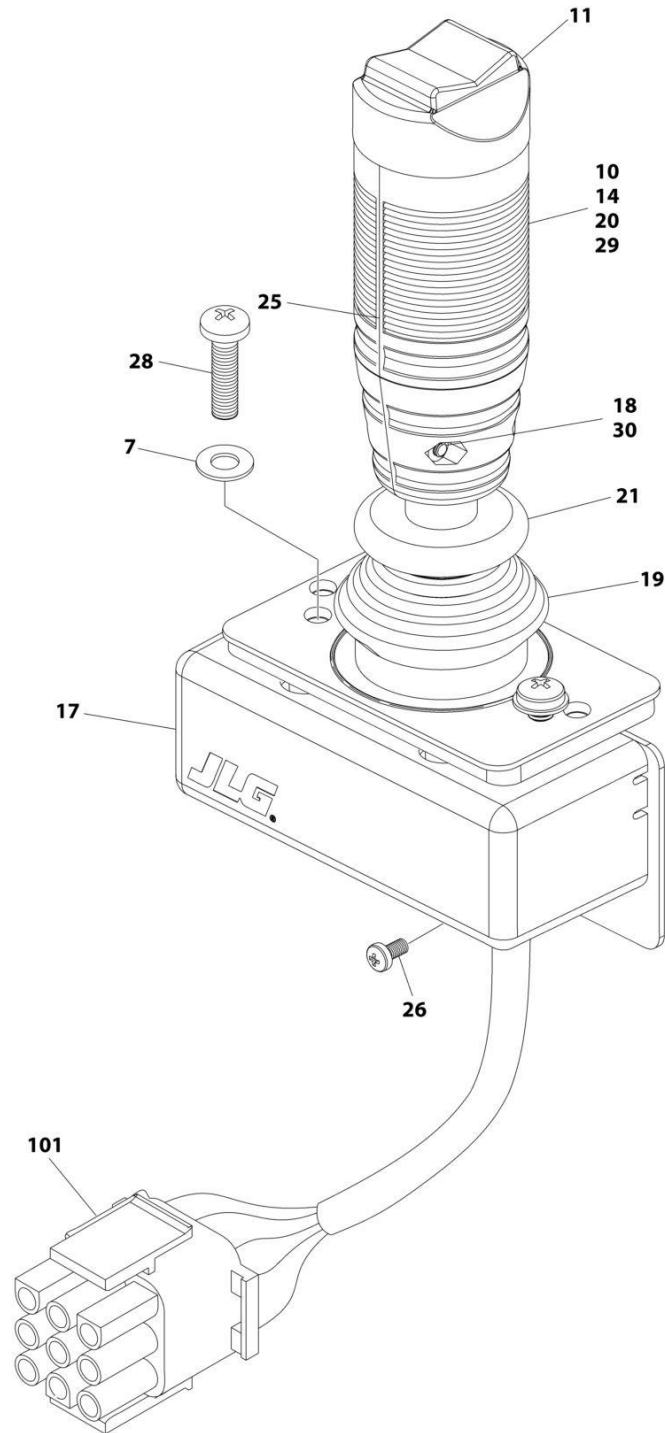
SECTION 5 - PLATFORM

FIGURE 5-19. FOOTSWITCH ASSEMBLY

| ITEM | PART NUMBER | QTY | DESCRIPTION | REV |
|------|-------------|-----------------|--------------------------|-----|
| | 1001117174 | Ref | FOOTSWITCH ASSEMBLY | B |
| 1 | 0100020 | AR | Sealant | |
| 2 | 1060918 | 7.5 ft/ 2.3m | Cable, Electrical - 18/3 | |
| 3 | 4460071 | 1 | Connector, Strain Relief | |
| 4 | 4460226 | 2 | Socket, Female | |
| 5 | 4460464 | 1 | Pin, Male | |
| 6 | 1001098122 | 3 | Terminal | |
| 7 | 1001117172 | 1 | Footswitch | |
| 7 | 70002902 | 1 | Switch, 20Amp | |
| 7 | 70002903 | 1 | Gasket | |
| 7 | 70002905 | 1 | Cover | |
| 7 | 70002904 | 1 | Kit, Replacement Bolt | |

SECTION 5 - PLATFORM

FIGURE 5-20. CONTROLLER ASSEMBLY- DRIVE/STEER



ART_1001166538

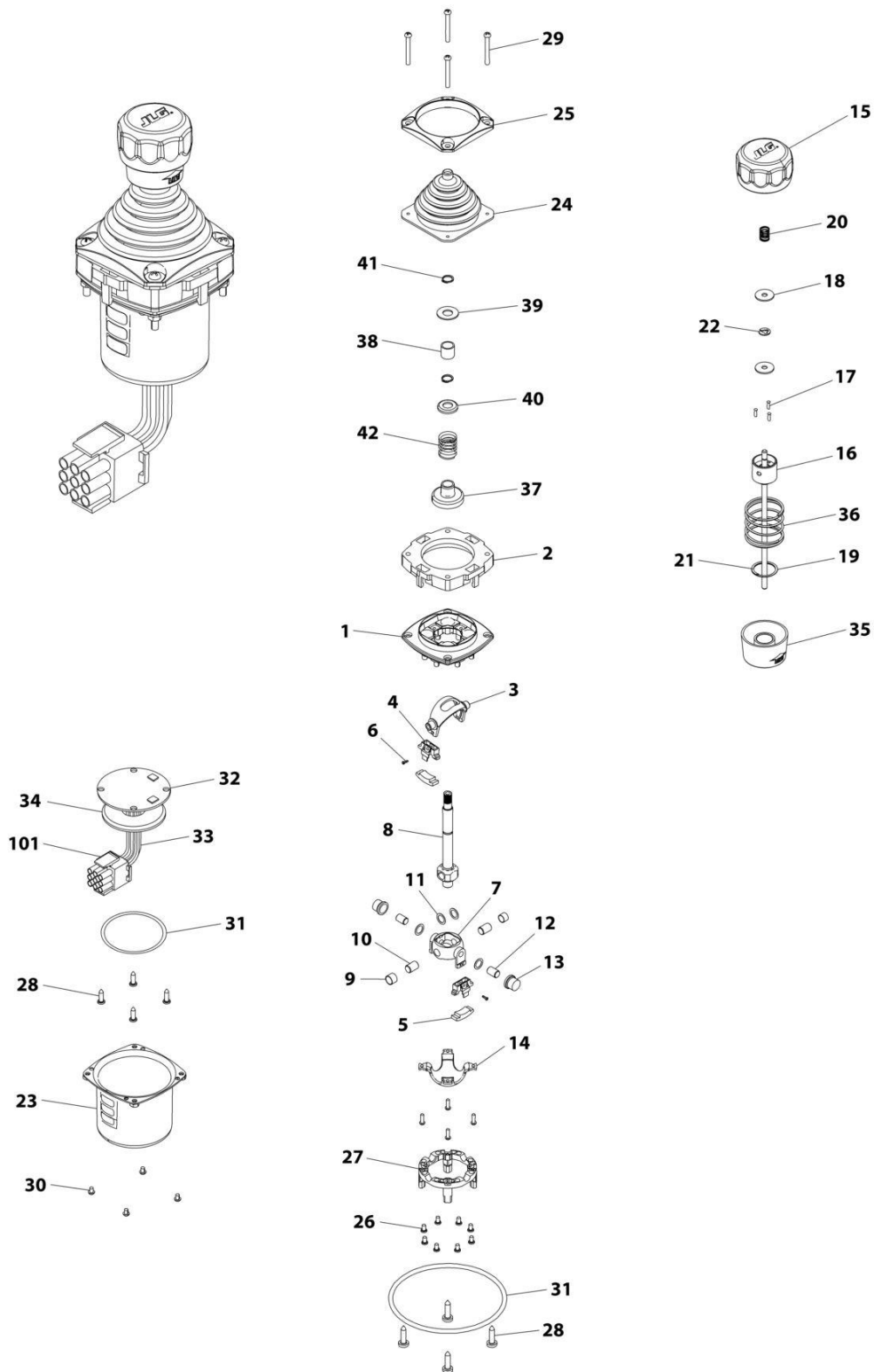
SECTION 5 - PLATFORM

FIGURE 5-20. CONTROLLER ASSEMBLY- DRIVE/STEER

| ITEM | PART NUMBER | QTY | DESCRIPTION | REV |
|------|-------------|-----|--|-----|
| | 1001166538 | Ref | CONTROLLER ASSEMBLY - DRIVE AND STEER | G |
| | | Ref | Note: For Replacement, Use p/n 1001212415. | |
| 7 | 70004738 | 2 | Washer | |
| 10 | 70004739 | 1 | Roller | |
| 11 | 70004740 | 1 | Boot, Switch | |
| 14 | 70004741 | 2 | Half, Handle | |
| 17 | 70004742 | 1 | Enclosure | |
| 18 | 70004743 | 4 | Nut | |
| 19 | 70004744 | NLA | Boot, Controller (Use p/n 70005230 Boot/Base Assembly) | |
| 20 | 70004745 | NLA | Tube, Locking (Use p/n 70005230 Boot/Base Assembly) | |
| 21 | 70004746 | NLA | Disc, Locking (Use p/n 70005230 Boot/Base Assembly) | |
| 25 | 70004747 | 2 | Seal, Rope | |
| 26 | 70004748 | 1 | Screw M3 x 6 | |
| 28 | 70004749 | 2 | Screw M5 x 20 | |
| 29 | 70004750 | 1 | Pin, Dowel | |
| 30 | 70004751 | 4 | Screw M3 x 16 | |
| 101 | 4460265 | 1 | Connector - 9 Position | |
| 101 | 4460226 | 7 | Socket, Female | |

SECTION 5 - PLATFORM

FIGURE 5-21. CONTROLLER ASSEMBLY - LIFT/SWING



ART_1001166539

SECTION 5 - PLATFORM

FIGURE 5-21. CONTROLLER ASSEMBLY - LIFT/SWING

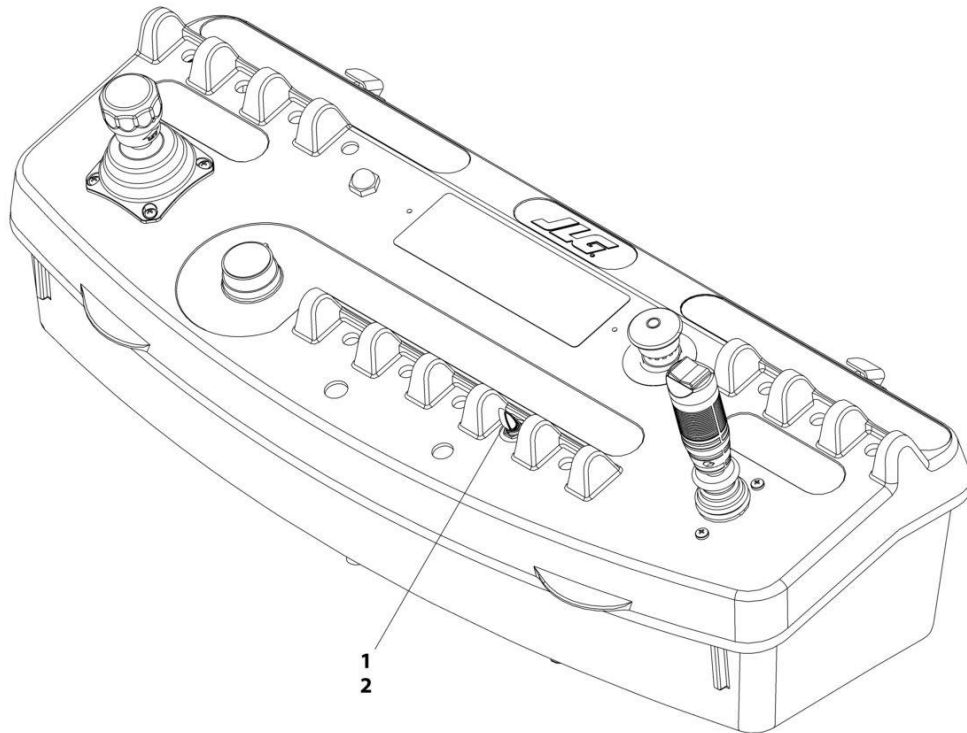
| ITEM | PART NUMBER | QTY | DESCRIPTION | REV |
|------|-------------|-----|---|-----|
| | 1001166539 | Ref | CONTROLLER ASSEMBLY | D |
| | | Ref | Note: Original Equipment Controller May Have Been Replaced with Service Replacement Controller. Visually Identify Controller Before Ordering Parts. | |
| | | Ref | Note: For Replacement, Use p/n 1001129555 | |
| 1 | See Note | NSS | Main Cast Body (Note: Not Available - Purchase Complete Assembly) | |
| 2 | 70004752 | 1 | Adapter | |
| 3 | See Note | NSS | Pivot Arm, Plastic (Note: Not Available - Purchase Complete Assembly) | |
| 4 | See Note | NSS | Holder, Magnet (Note: Not Available - Purchase Complete Assembly) | |
| 5 | See Note | NSS | Arc, Magnet (Note: Not Available - Purchase Complete Assembly) | |
| 6 | See Note | NSS | Screw (Note: Not Available for Purchase) | |
| 7 | See Note | NSS | Pivot Arm, Cast (Note: Not Available - Purchase Complete Assembly) | |
| 8 | See Note | NSS | Shaft, Main (Note: Not Available - Purchase Complete Assembly) | |
| 9 | See Note | NSS | Bearing (Note: Not Available - Purchase Complete Assembly) | |
| 10 | See Note | NSS | Pin (Note: Not Available - Purchase Complete Assembly) | |
| 11 | See Note | NSS | Shim (Note: Not Available - Purchase Complete Assembly) | |
| 12 | See Note | NSS | Pin (Note: Not Available - Purchase Complete Assembly) | |
| 13 | See Note | NSS | Bearing (Note: Not Available - Purchase Complete Assembly) | |
| 14 | See Note | NSS | Dome, Centering (Note: Not Available - Purchase Complete Assembly) | |
| 15 | 70004753 | 1 | Cap | |
| 16 | 70004754 | 1 | Insert, Cap | |
| 17 | 70004755 | 3 | Pin | |
| 18 | 70004756 | 2 | Washer | |
| 19 | 70004757 | 1 | Pin, Centering | |
| 20 | 70004758 | 1 | Spring | |
| 21 | 70004759 | 1 | Ring, Retaining | |
| 22 | 70004760 | 1 | E-Ring | |
| 23 | 70004761 | 1 | Can, Enclosure | |
| 24 | 70004762 | 1 | Boot | |
| 25 | 70004763 | 1 | Bezel | |
| 26 | See Note | NSS | Screw (Note: Not Available for Purchase) | |
| 27 | See Note | NSS | Base Mounting (Note: Not Available - Purchase Complete Assembly) | |
| 28 | See Note | NSS | Screw (Note: Not Available for Purchase) | |
| 29 | 70004764 | 4 | Screw | |
| 30 | 70004765 | 4 | Screw | |
| 31 | 70004766 | 1 | O-Ring | |
| 32 | See Note | NSS | Plate (Note: Not Available - Purchase Complete Assembly) | |
| 33 | See Note | NSS | Harness (Note: Not Available - Purchase Complete Assembly) | |
| 34 | 70004767 | 1 | Grommet, Rubber | |
| 35 | 70004768 | 1 | Housing | |
| 36 | 70004769 | 1 | Spring | |
| 37 | 70004770 | 1 | Stopper | |
| 38 | 70004771 | 1 | Spacer | |
| 39 | 70004772 | 1 | Washer | |
| 40 | 70004773 | 1 | Disc | |

SECTION 5 - PLATFORM

| ITEM | PART NUMBER | QTY | DESCRIPTION | REV |
|------|-------------|-----|------------------------|-----|
| 41 | 70004774 | 2 | Ring, Retaining | |
| 42 | 70004775 | 1 | Spring | |
| 101 | 4460265 | 1 | Connector - 9 Position | |
| 101 | 4460226 | 6 | Socket, Female | |

SECTION 5 - PLATFORM

FIGURE 5-22. JIB SWITCH INSTALLATION



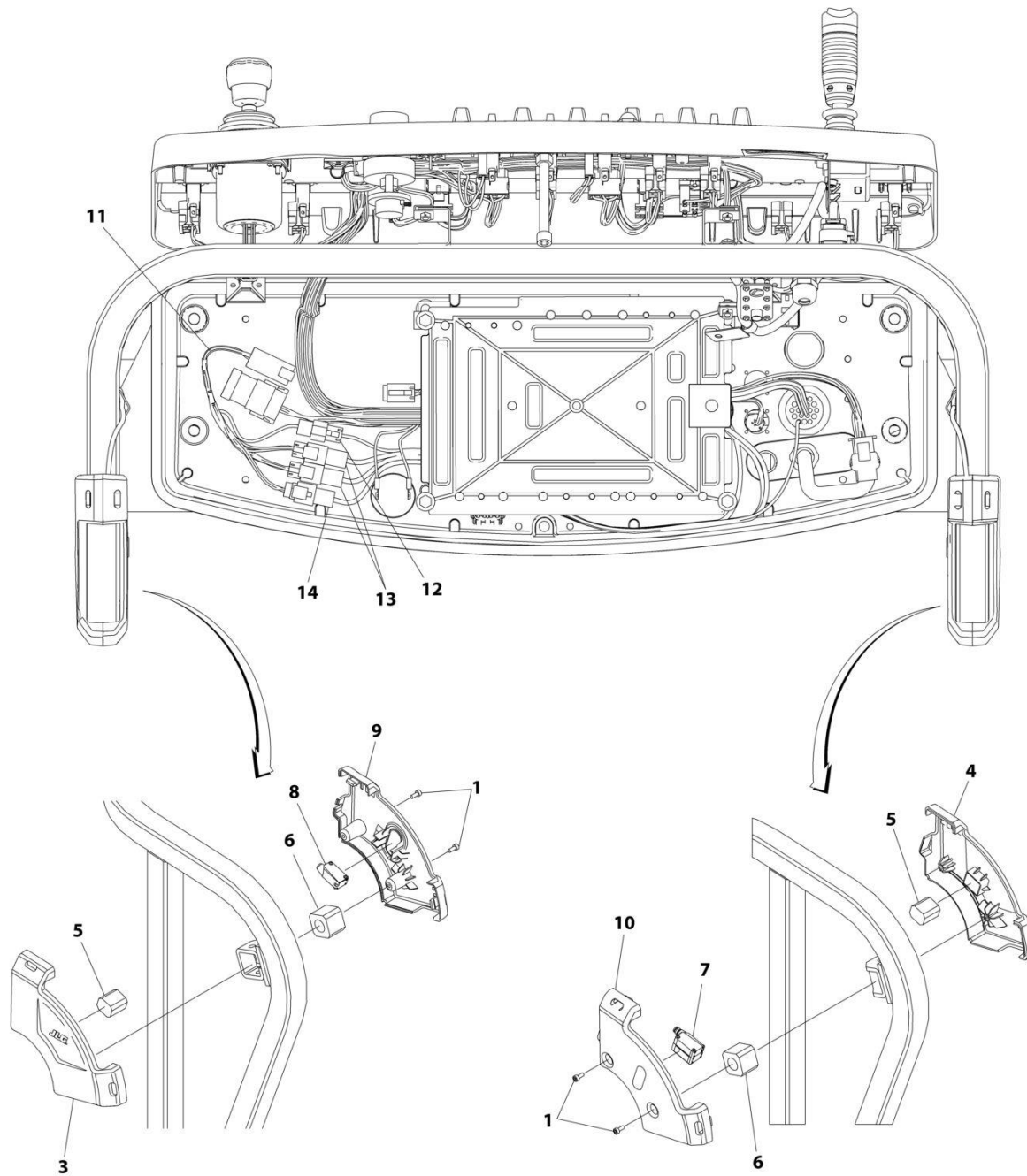
ART_0271340

FIGURE 5-22. JIB SWITCH INSTALLATION

| ITEM | PART NUMBER | QTY | DESCRIPTION | REV |
|-------------|--------------------|------------|-------------------------|------------|
| | 0271340 | Ref | JIB SWITCH INSTALLATION | 1/A |
| 1 | 4360328 | 1 | Switch, Toggle | |
| 2 | 3790012 | 1 | O-Ring | |

SECTION 5 - PLATFORM

FIGURE 5-23. SKYEYE INSTALLATION



ART_1001229341

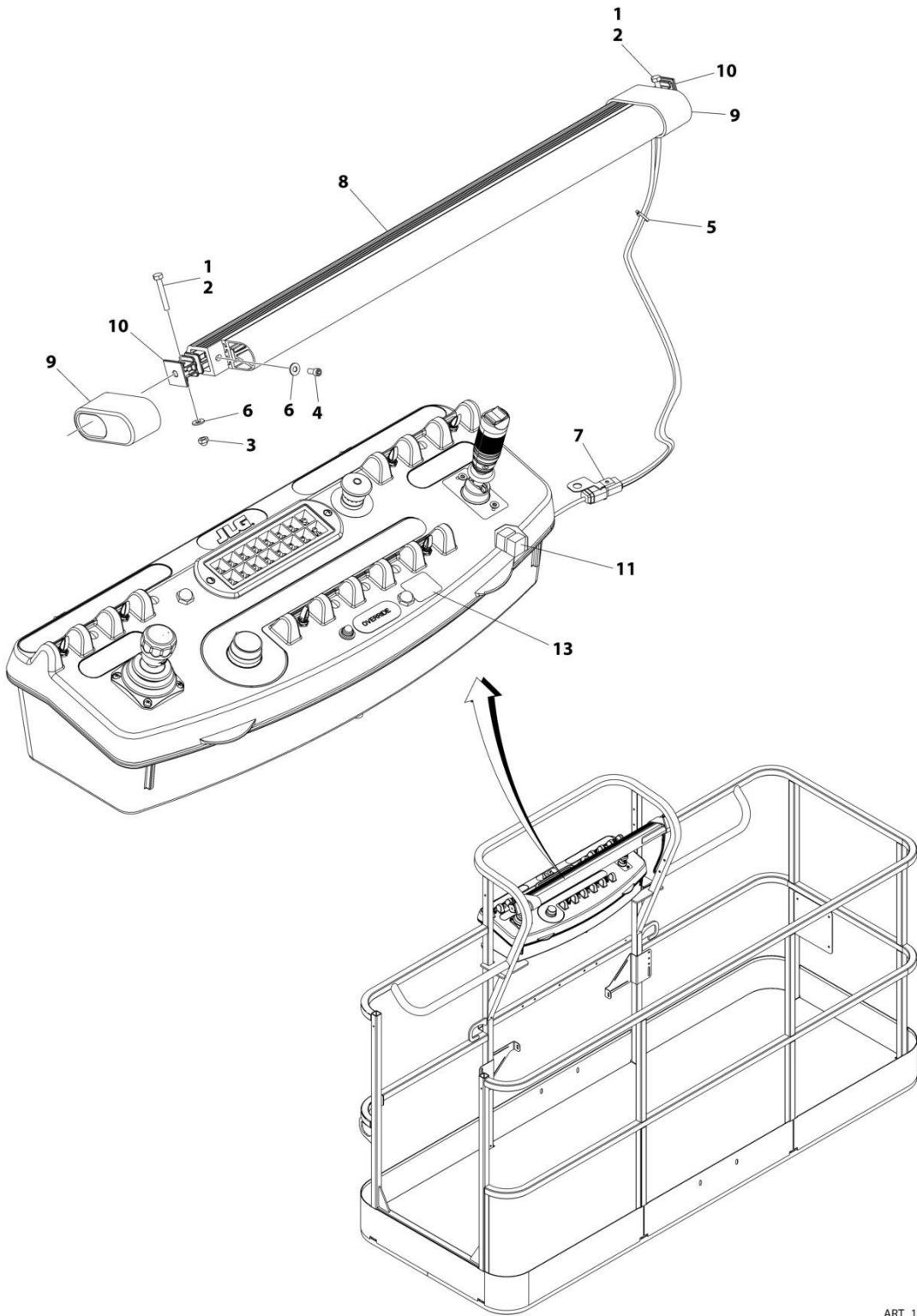
SECTION 5 - PLATFORM

FIGURE 5-23. SKYEYE INSTALLATION

| ITEM | PART NUMBER | QTY | DESCRIPTION | REV |
|------|-------------|-----|--|-----|
| | 1001229341 | Ref | SKYEYE INSTALLATION | A |
| 1 | 4031505 | 4 | Bolt M4 x 10 | |
| 2 | 4240033 | AR | Tie-Strap (Not Shown) | |
| 3 | 1001227633 | 1 | Housing, LH Outer | |
| 4 | 1001227634 | 1 | Housing, RH Outer | |
| 5 | 1001227985 | 2 | Shim | |
| 6 | 1001227987 | 2 | Shim | |
| 7 | 1001228224 | 2 | Sensor, Receiver | |
| 8 | 1001228225 | 1 | Sensor, Emitter | |
| 9 | 1001232164 | 1 | Housing, LH Inner | |
| 10 | 1001232165 | 1 | Housing, RH Inner | |
| 11 | 1001237865 | 1 | Harness, Skyeeye Intermediate (See Separate Breakdown in ELECTRICAL Section) | |
| 12 | 1001238319 | 1 | Harness, Skyeeye Drain Jumper | |
| 12 | 1001187674 | 1 | Plug, Male - 2 Position | |
| 12 | 4460942 | 1 | Terminal | |
| 12 | 4460466 | 1 | Plug, Terminal | |
| 12 | 4460508 | 1 | Pin, Male | |
| 13 | 1001237863 | 2 | Harness, Skyeeye Receiver (See Separate Breakdown in ELECTRICAL Section) | |
| 14 | 1001237864 | 1 | Harness, Skyeeye Emitter (See Separate Breakdown in ELECTRICAL Section) | |

SECTION 5 - PLATFORM

FIGURE 5-24. SKYGUARD BAR INSTALLATION



ART_1001238495

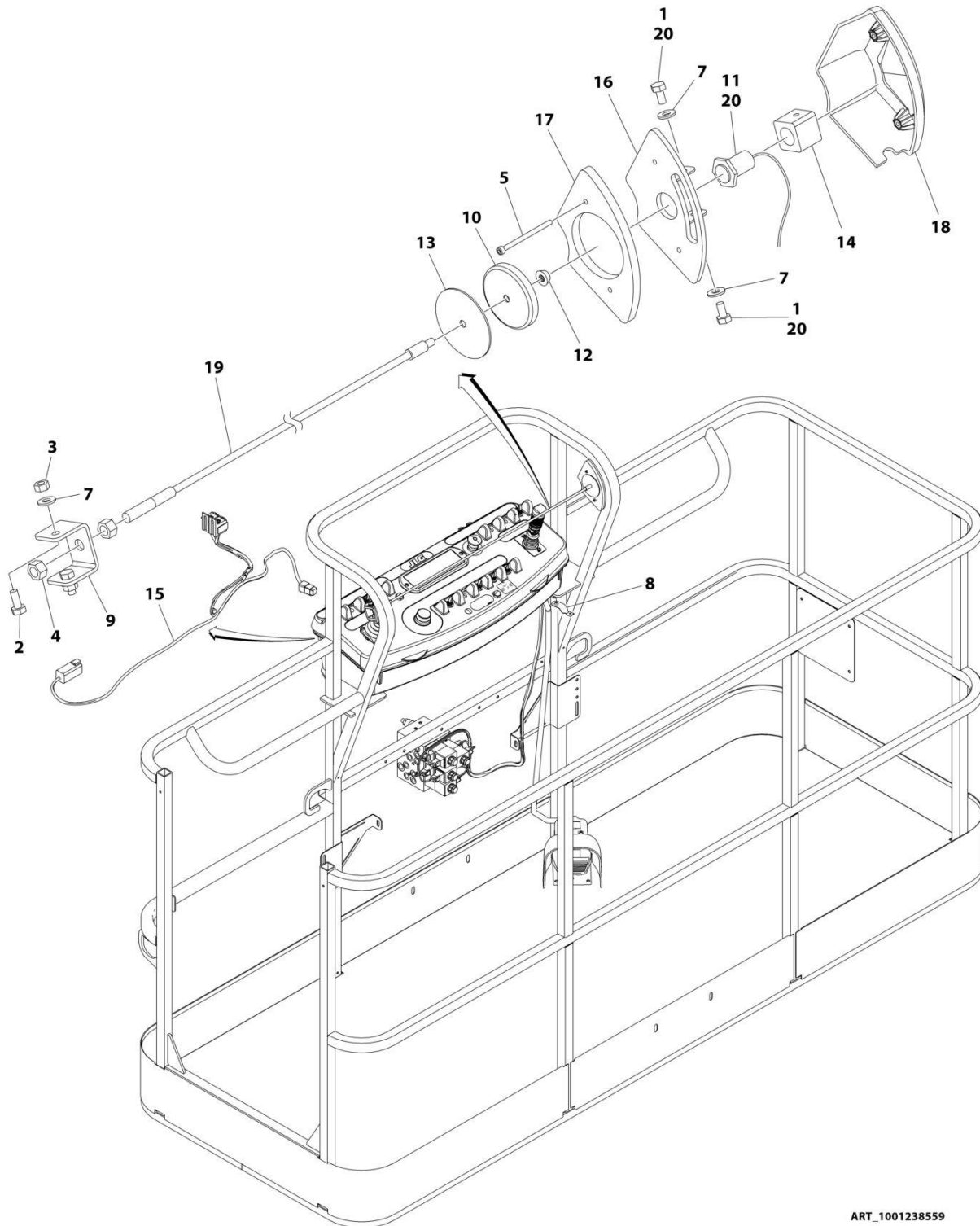
SECTION 5 - PLATFORM

FIGURE 5-24. SKYGUARD BAR INSTALLATION

| ITEM | PART NUMBER | QTY | DESCRIPTION | REV |
|------|-------------|-----|--|-----|
| | 1001238495 | Ref | SKYGUARD BAR INSTALLATION | A |
| 1 | 0100011 | AR | Compound, Locking | |
| 2 | 0641414 | 2 | Bolt 1/4 x 1-3/4 | |
| 3 | 3300430 | 2 | Nut 1/4 | |
| 4 | 3931408 | 2 | Capscrew 1/4 x 1/2 | |
| 5 | 4240033 | 8 | Tie-Strap | |
| 6 | 4711400 | 6 | Washer 1/4 | |
| 7 | 1001120328 | 1 | Mount | |
| 8 | 1001137673 | 1 | SkyGuard Switch Assembly | |
| 9 | 1001186517 | 2 | Cover, Platform Sensor | |
| 10 | 1001209664 | 2 | Support, Block | |
| 11 | 1001186431 | 2 | Relay | |
| 12 | 1001225580 | 1 | Interface Harness Assembly (Not Shown - Located Inside Console Box) (See Separate Breakdown in ELECTRICAL Section) | |
| 13 | 1001144433 | 1 | Decal - No Weight SkyGuard | |

SECTION 5 - PLATFORM

FIGURE 5-25. SKYLINE INSTALLATION (Prior to SN 0300279215)



ART_1001238559

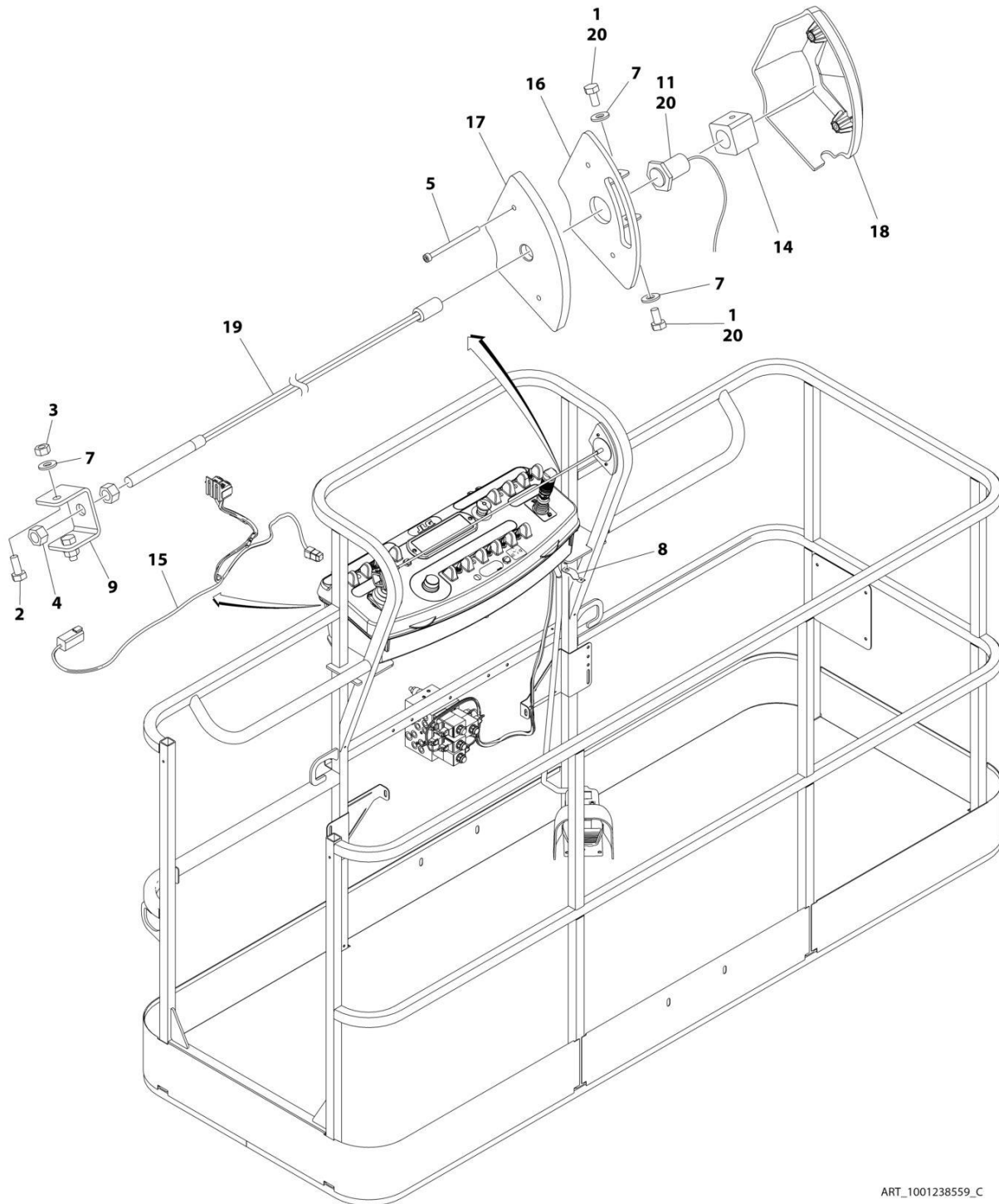
SECTION 5 - PLATFORM

FIGURE 5-25. SKYLINE INSTALLATION (Prior to SN 0300279215)

| ITEM | PART NUMBER | QTY | DESCRIPTION | REV |
|------|-------------|-----|---|-----|
| | 1001238559 | Ref | SKYLINE INSTALLATION | B |
| 1 | 0641404 | 2 | Bolt 1/4 x 1/2 | |
| 2 | 0641405 | 2 | Bolt 1/4 x 5/8 | |
| 3 | 3311405 | 2 | Nut 1/4 | |
| 4 | 3311601 | 2 | Nut 3/8 | |
| 5 | 4031516 | 2 | Capscrew M4 x 60 | |
| 6 | 4240033 | AR | Tie-Strap (Not Shown) | |
| 7 | 4711400 | 4 | Washer 1/4 | |
| 8 | 1001120328 | 1 | Mount | |
| 9 | 1001232642 | 1 | Bracket | |
| 10 | 1001232650 | 1 | Magnet | |
| 11 | 1001232667 | 1 | Sensor, Proximity | |
| 12 | 1001235011 | 1 | Nut | |
| 13 | 1001235013 | 1 | Washer | |
| 14 | 1001236552 | 1 | Block | |
| 15 | 1001238418 | 1 | Harness, Skyline (See Separate Breakdown in ELECTRICAL Section) | |
| 16 | 1001238472 | 1 | Mount | |
| 17 | 1001238477 | 1 | Housing, LH | |
| 18 | 1001241965 | 1 | Housing, RH | |
| 19 | 1001238824 | 1 | Rope | |
| 20 | 0100011 | AR | Compound, Locking | |

SECTION 5 - PLATFORM

FIGURE 5-26. SKYLINE INSTALLATION (SN 0300279215 to Present)



ART_1001238559_C

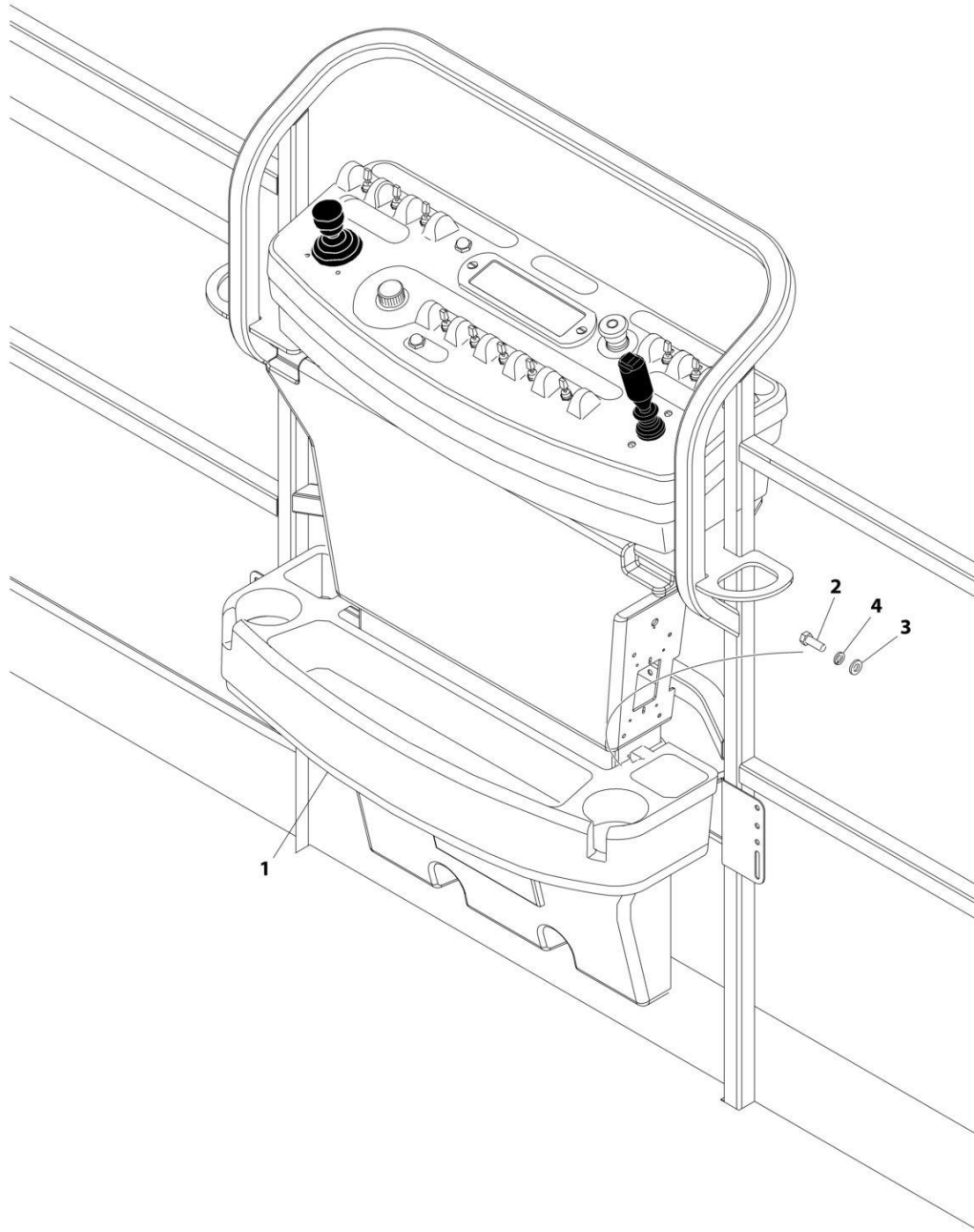
SECTION 5 - PLATFORM

FIGURE 5-26. SKYLINE INSTALLATION (SN 0300279215 to Present)

| ITEM | PART NUMBER | QTY | DESCRIPTION | REV |
|------|-------------|-----|---|-----|
| | 1001238559 | Ref | SKYLINE INSTALLATION | C |
| 1 | 0641404 | 2 | Bolt 1/4 x 1/2 | |
| 2 | 0641405 | 2 | Bolt 1/4 x 5/8 | |
| 3 | 3311405 | 2 | Nut 1/4 | |
| 4 | 3311601 | 2 | Nut 3/8 | |
| 5 | 4031516 | 2 | Capscrew M4 x 60 | |
| 6 | 4240033 | AR | Tie-Strap (Not Shown) | |
| 7 | 4711400 | 4 | Washer 1/4 | |
| 8 | 1001120328 | 1 | Mount | |
| 9 | 1001232642 | 1 | Bracket | |
| 11 | 1001232667 | 1 | Sensor, Proximity | |
| 14 | 1001236552 | 1 | Block | |
| 15 | 1001238418 | 1 | Harness, Skyline (See Separate Breakdown in ELECTRICAL Section) | |
| 16 | 1001238472 | 1 | Mount | |
| 17 | 1001254473 | 1 | Housing, LH | |
| 18 | 1001241965 | 1 | Housing, RH | |
| 19 | 1001254472 | 1 | Rod | |
| 20 | 0100011 | AR | Compound, Locking | |

SECTION 5 - PLATFORM

FIGURE 5-27. STORAGE TRAY INSTALLATION - CENTER



ART_1580012

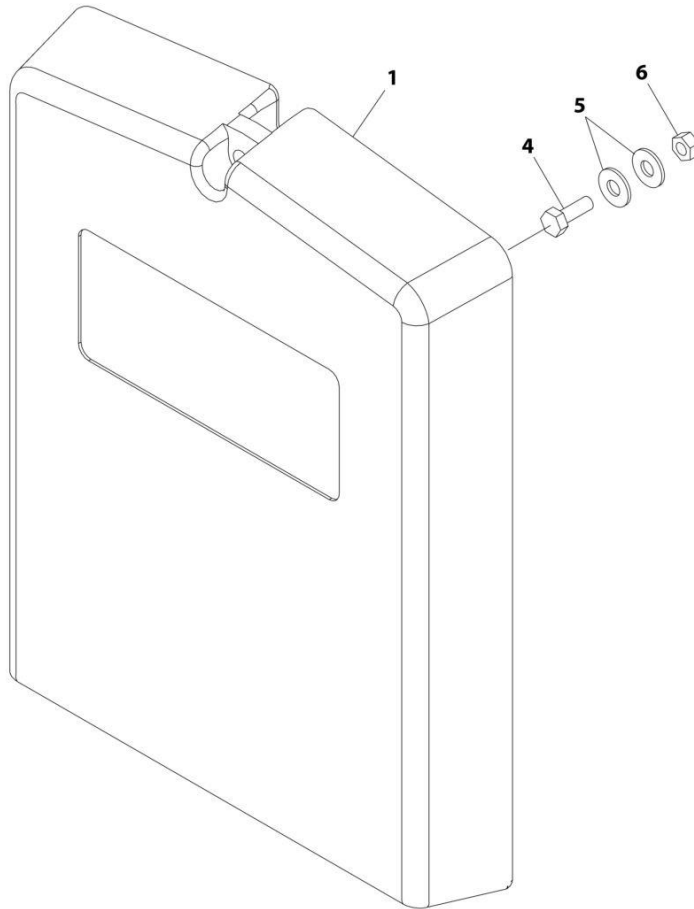
SECTION 5 - PLATFORM

FIGURE 5-27. STORAGE TRAY INSTALLATION - CENTER

| ITEM | PART NUMBER | QTY | DESCRIPTION | REV |
|------|-------------|-----|---|-----|
| | 1580012 | Ref | TRAY ASSEMBLY | C |
| 1 | See Note | NSS | Tray, Storage (Center) (Note: Purchase p/n 1580012) | |
| 2 | 0641406 | 2 | Bolt 1/4 x 3/4 | |
| 3 | 4751400 | 2 | Washer 1/4 | |
| 4 | 4761400 | 2 | Washer 1/4 | |

SECTION 5 - PLATFORM

FIGURE 5-28. MANUAL STORAGE BOX INSTALLATION



ART_0258671

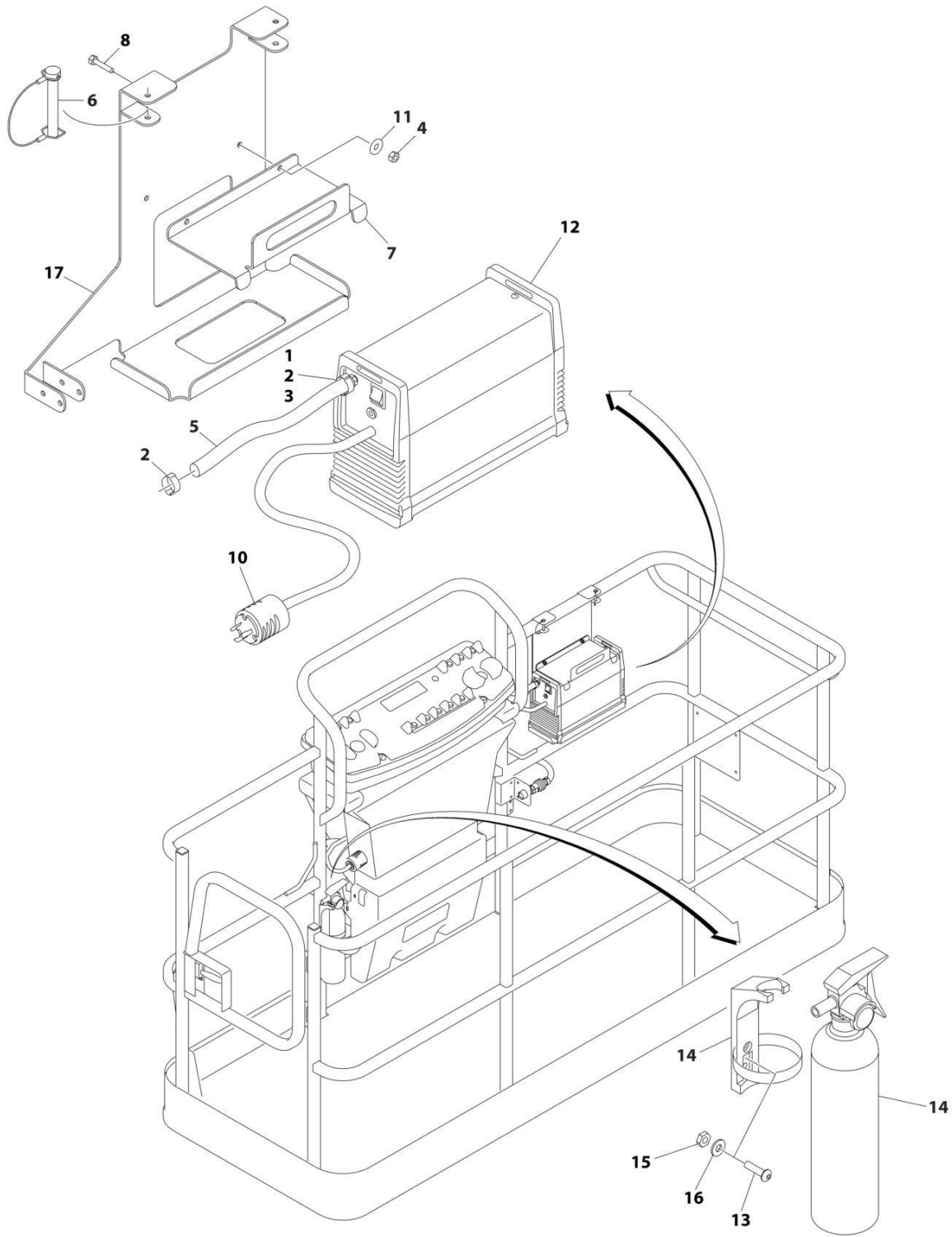
SECTION 5 - PLATFORM

FIGURE 5-28. MANUAL STORAGE BOX INSTALLATION

| ITEM | PART NUMBER | QTY | DESCRIPTION | REV |
|-------------|--------------------|------------|---------------------------------|------------|
| | 0258671 | Ref | MANUAL STORAGE BOX INSTALLATION | C |
| 1 | 0860520 | 1 | Box, Manual Storage | |
| 4 | 0641406 | 4 | Bolt 1/4 x 3/4 | |
| 5 | 4751400 | 8 | Washer 1/4 | |
| 6 | 3311405 | 4 | Nut 1/4 | |

SECTION 5 - PLATFORM

FIGURE 5-29. SKYCUTTER INSTALLATION



ART_1001098149_D

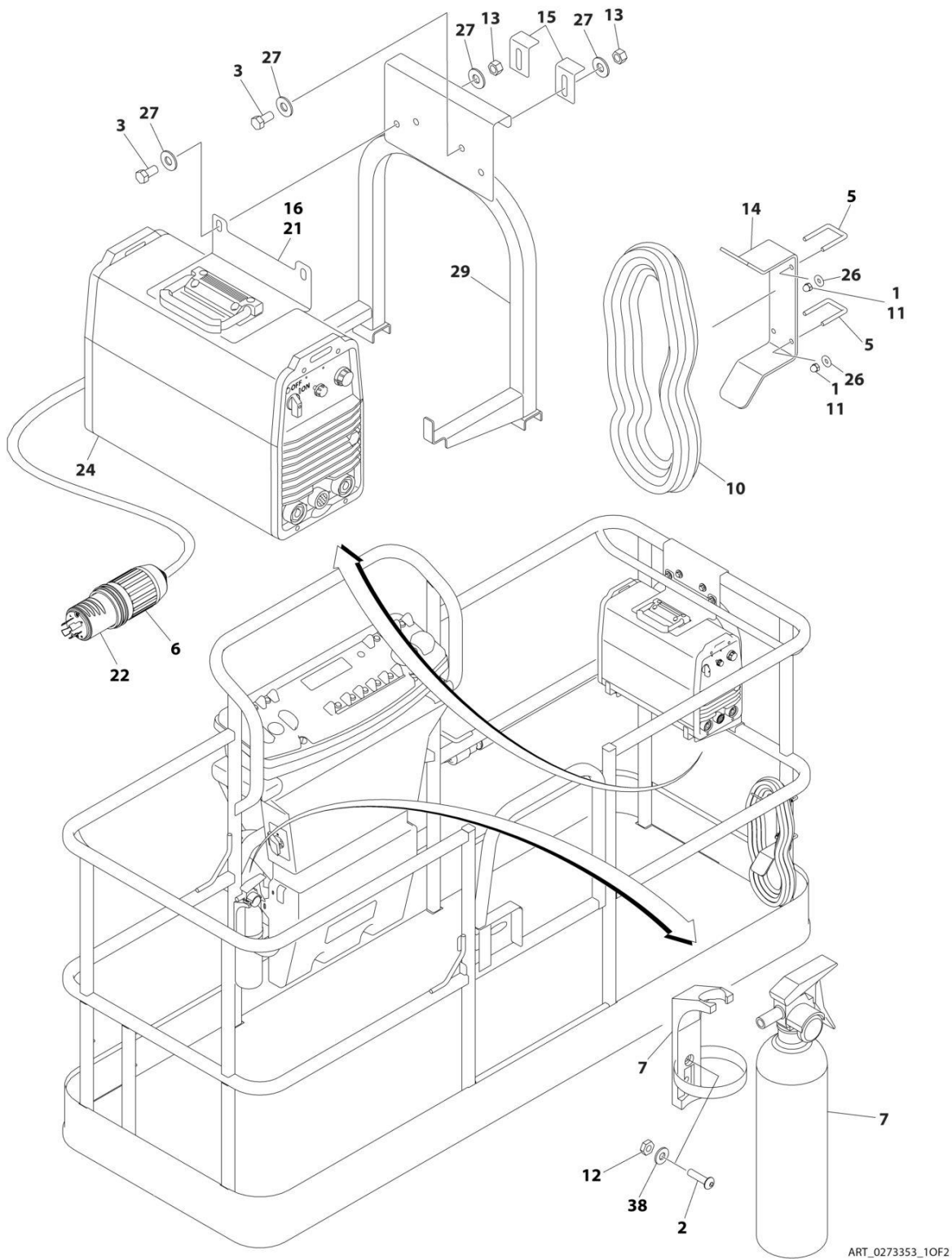
SECTION 5 - PLATFORM

FIGURE 5-29. SKYCUTTER INSTALLATION

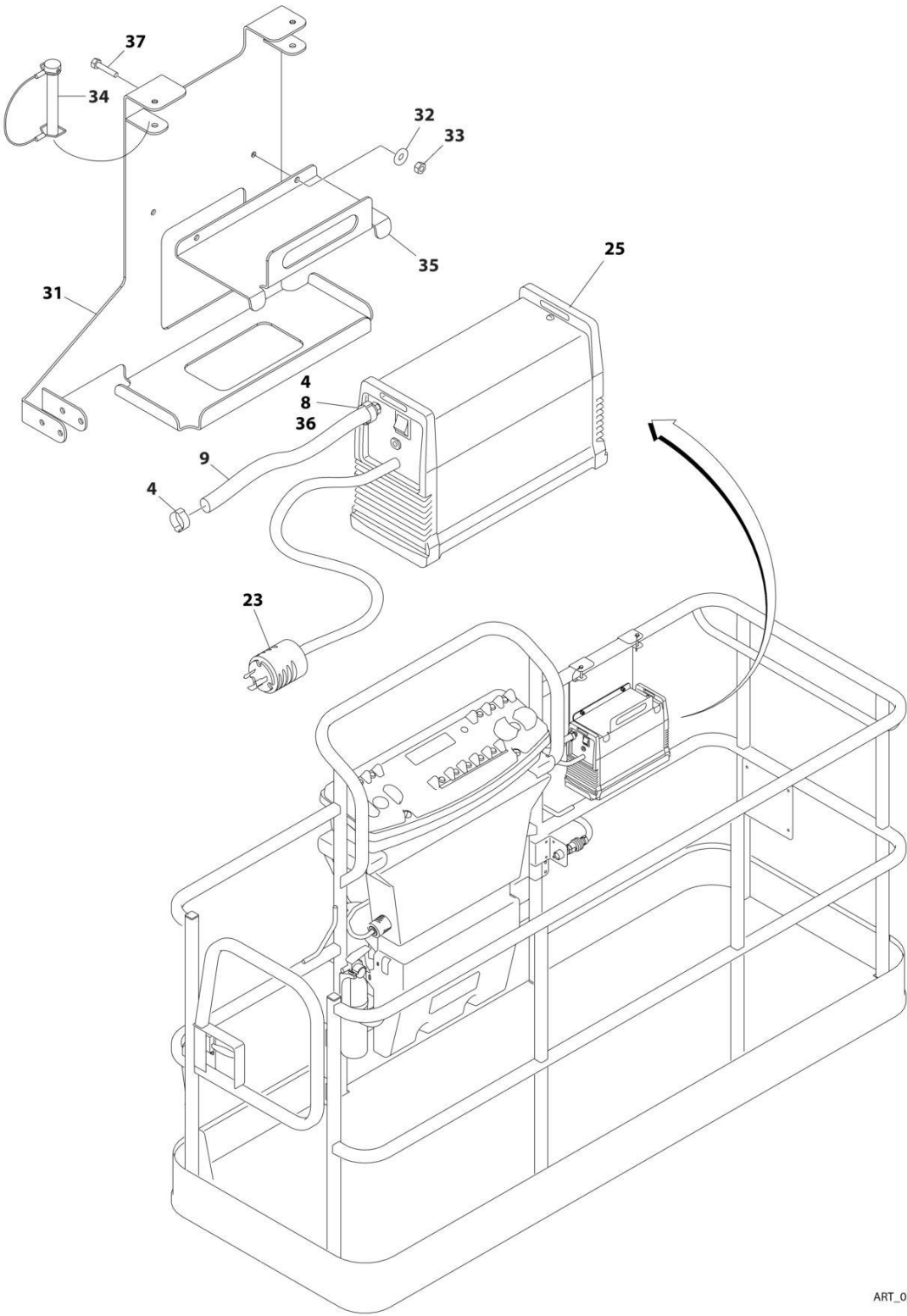
| ITEM | PART NUMBER | QTY | DESCRIPTION | REV |
|------|-------------|-----------|--|-----|
| | 1001098149 | Ref | SKYCUTTER INSTALLATION | D |
| | | Ref | Note: When replacing platform on machines with SkyCutter option, new bracket p/n 1001145405 must be purchased to accommodate SkyCutter components. | |
| 1 | 0100020 | AR | Sealant | |
| 2 | 1320177 | 2 | Clamp, Hose | |
| 3 | 2180832 | 1 | Fitting, NPT/Barbed | |
| 4 | 3290605 | 2 | Nut M6 | |
| 5 | 2720160 | 3 ft /.9m | Hose | |
| 6 | 3421453 | 3 | Pin | |
| 7 | 3576799 | 1 | Plate, Hold-Down | |
| 8 | 4010608 | 2 | Screw M6 x 16 | |
| 10 | 4460971 | 1 | Plug, Twistlock | |
| 11 | 4811700 | 2 | Washer M6 | |
| 12 | 1001098012 | 1 | Plasma Cutter Assembly (See Separate Breakdown in this Section) | |
| 13 | 0630518 | 2 | Screw #10 x 3/4 | |
| 14 | 2030010 | 1 | Extinguisher, Fire | |
| 15 | 3311005 | 2 | Nut #10 | |
| 16 | 4751000 | 2 | Washer #10 | |
| 17 | 1001145405 | 1 | Support | |

SECTION 5 - PLATFORM

FIGURE 5-30. SKYWELDER/SKYCUTTER COMBO INSTALLATION (60HZ)



SECTION 5 - PLATFORM



ART_0273353_20F2

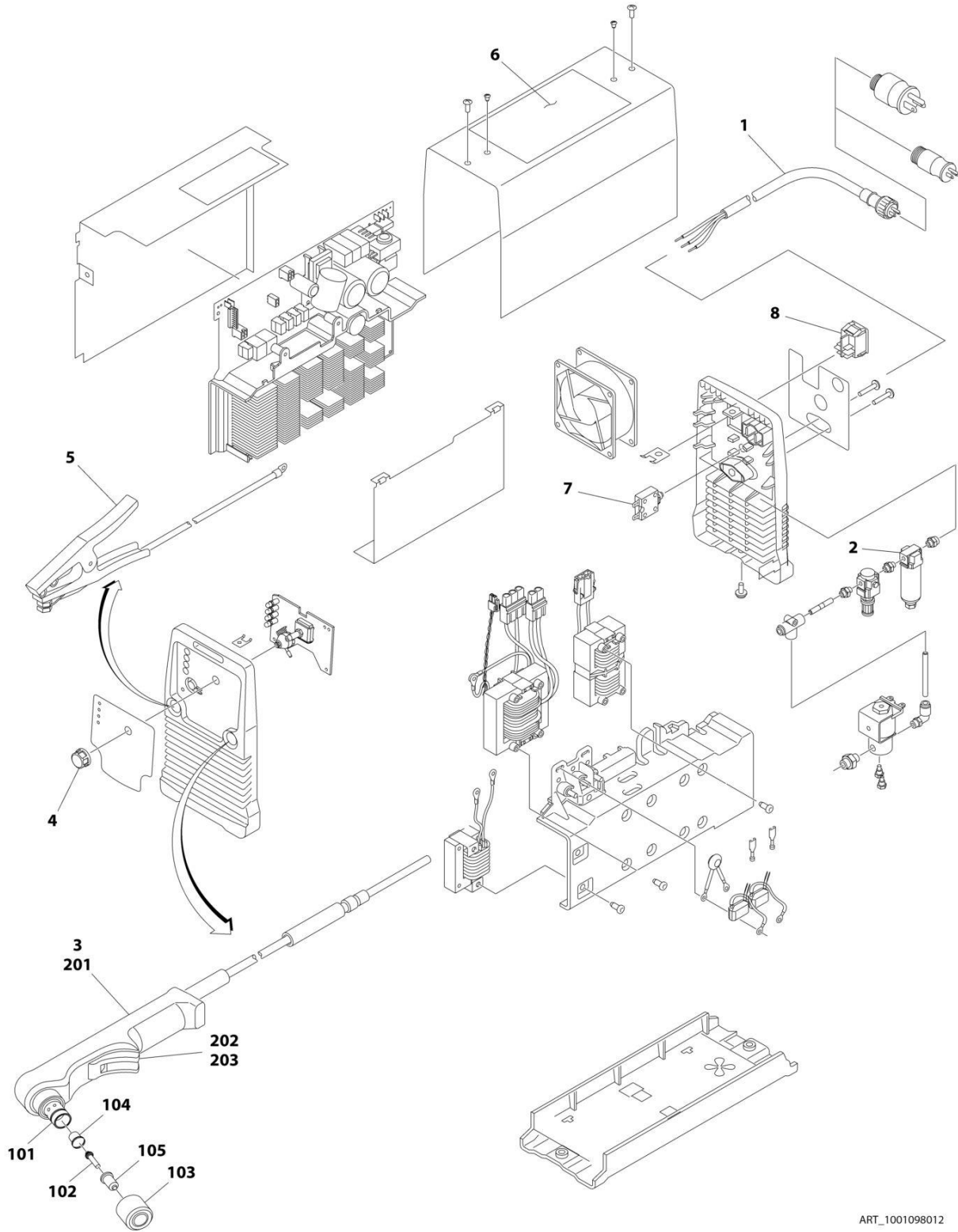
SECTION 5 - PLATFORM

FIGURE 5-30. SKYWELDER/SKYCUTTER COMBO INSTALLATION (60HZ)

| ITEM | PART NUMBER | QTY | DESCRIPTION | REV |
|------|-------------|------------------|---|-----|
| | 0273353 | Ref | SKYWELDER/SKYCUTTER COMBO INSTALLATION (60HZ) | G |
| 1 | 0100011 | AR | Compound, Locking | |
| 2 | 0630518 | 2 | Screw #10 x 3/4 | |
| 3 | 0641606 | 4 | Bolt 3/8 x 3/4 | |
| 4 | 1320177 | 2 | Clamp | |
| 5 | 1320302 | 2 | Clamp | |
| 6 | 1671093 | 1 | Cover, Plug | |
| 7 | 2030010 | 1 | Extinguisher, Fire | |
| 8 | 2180832 | 1 | Fitting, Barbed/NPT | |
| 9 | 2720160 | 4.5 ft /1.37m | Hose | |
| 10 | 2902217 | 1 | Weld Leads Kit | |
| 11 | 3300151 | 4 | Nut 1/4 | |
| 12 | 3311005 | 2 | Nut #10 | |
| 13 | 3311605 | 4 | Nut 3/8 | |
| 14 | 3573400 | 1 | Bracket | |
| 15 | 3577121 | 2 | Angle | |
| 16 | 3573642 | 1 | Plate | |
| 20 | 4240099 | AR | Tie-Strap (Not Shown) | |
| 21 | 4420037 | 2.36 ft /.71m | Tape | |
| 22 | 4460962 | 1 | Plug, Twist Lock | |
| 23 | 4460971 | 1 | Plug, Twist Lock | |
| 24 | 4530028 | 1 | Welder Assembly (See Separate Breakdown in this section) | |
| 25 | 1001098012 | 1 | Plasma Cutter Assembly (See Separate Breakdown in this Section) | |
| 26 | 4751400 | 4 | Washer 1/4 | |
| 27 | 4751600 | 8 | Washer 3/8 | |
| 29 | 4846627 | 1 | Support | |
| 31 | 1001145405 | 1 | Bracket | |
| 32 | 4811700 | 2 | Washer M6 | |
| 33 | 3290605 | 2 | Nut M6 | |
| 34 | 3421453 | 3 | Pin | |
| 35 | 3576799 | 1 | Plate, Hold-Down | |
| 36 | 0100020 | 1 | Sealant | |
| 37 | 4010608 | 2 | Screw M6 x 16 | |
| 38 | 4751000 | 2 | Washer #10 | |

SECTION 5 - PLATFORM

FIGURE 5-31. PLASMA CUTTER ASSEMBLY



ART_1001098012

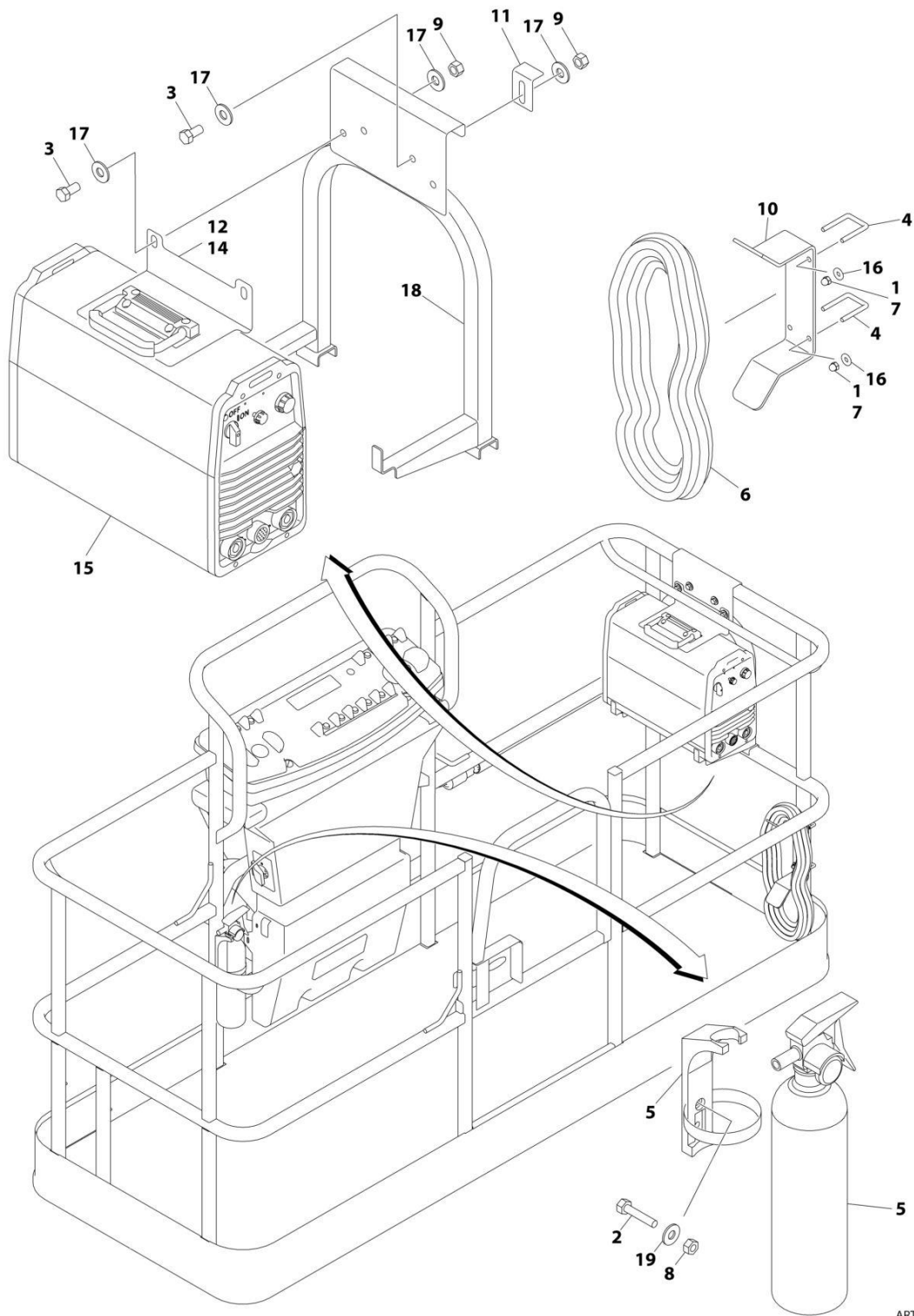
SECTION 5 - PLATFORM

FIGURE 5-31. PLASMA CUTTER ASSEMBLY

| ITEM | PART NUMBER | QTY | DESCRIPTION | REV |
|------|-------------|-----|--|-----|
| | 1001098012 | Ref | PLASMA CUTTER ASSEMBLY | A |
| | | Ref | Note: For Other Components, contact your Miller Welder Dealer. | |
| 1 | 70001424 | 1 | Cable, Power | |
| 1 | 70001425 | 1 | Decal - Voltage Warning | |
| 2 | 70001427 | 1 | Filter, Regulator | |
| 3 | 70001428 | 1 | Torch Assembly (See Items 101-203 for Breakdown) | |
| 4 | 7024471 | 1 | Knob | |
| 5 | 70001429 | 1 | Clamp with Cable | |
| 6 | 70001430 | 1 | Decal - Caution | |
| 7 | 70001431 | 1 | Breaker, Circuit | |
| 8 | 70001432 | 1 | Switch, Rocker | |
| | 70001428 | Ref | TORCH ASSEMBLY | |
| 101 | 7024530 | 1 | O-Ring | |
| 102 | 7024531 | 1 | Electrode | |
| 103 | 7024532 | 1 | Cup, Retaining | |
| 104 | 7024533 | 1 | Swirl Ring | |
| 105 | 7024534 | 1 | Tip | |
| 201 | 7024535 | 1 | Handle, Torch | |
| 202 | 7024536 | 1 | Switch | |
| 203 | 7024537 | 1 | Trigger | |

SECTION 5 - PLATFORM

FIGURE 5-32. SKYWELDER INSTALLATION (50HZ)



ART_0272521_F

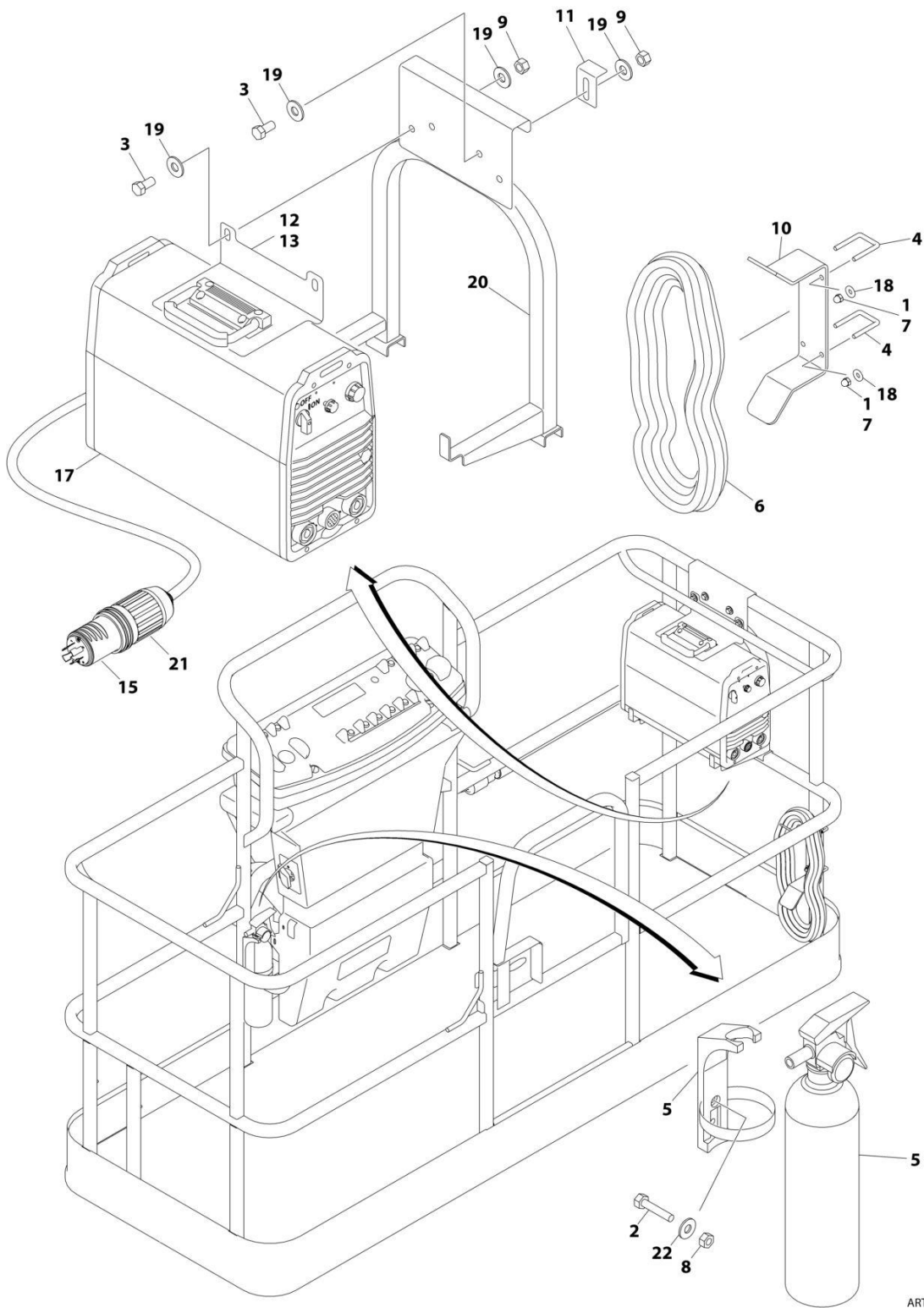
SECTION 5 - PLATFORM

FIGURE 5-32. SKYWELDER INSTALLATION (50HZ)

| ITEM | PART NUMBER | QTY | DESCRIPTION | REV |
|------|-------------|-----|--|-----|
| | 0272521 | Ref | SKYWELDER INSTALLATION | F |
| 1 | 0100011 | AR | Compound, Locking | |
| 2 | 0630518 | 2 | Screw #10 x 3/4 | |
| 3 | 0641606 | 4 | Bolt 3/8 x 3/4 | |
| 4 | 1320302 | 2 | U-Clamp | |
| 5 | 2030010 | 1 | Extinguisher, Fire | |
| 6 | 2902217 | 1 | Weld Leads Kit | |
| 7 | 3300151 | 4 | Nut 1/4 | |
| 8 | 3311005 | 2 | Nut #10 | |
| 9 | 3311605 | 4 | Nut 3/8 | |
| 10 | 3573400 | 1 | Bracket | |
| 11 | 3577121 | 2 | Angle | |
| 12 | 3573642 | 1 | Plate | |
| 13 | 4240099 | AR | Tie-Strap (Not Shown) | |
| 14 | 4420037 | AR | Tape | |
| 15 | 4530028 | 1 | Welder Assembly (See Separate Breakdown in this Section) | |
| 16 | 4751400 | 4 | Washer 1/4 | |
| 17 | 4751600 | 8 | Washer 3/8 | |
| 18 | 4846627 | 1 | Support | |
| 19 | 4751000 | 2 | Washer #10 | |

SECTION 5 - PLATFORM

FIGURE 5-33. SKYWELDER INSTALLATION (60HZ)



ART_0272254_I

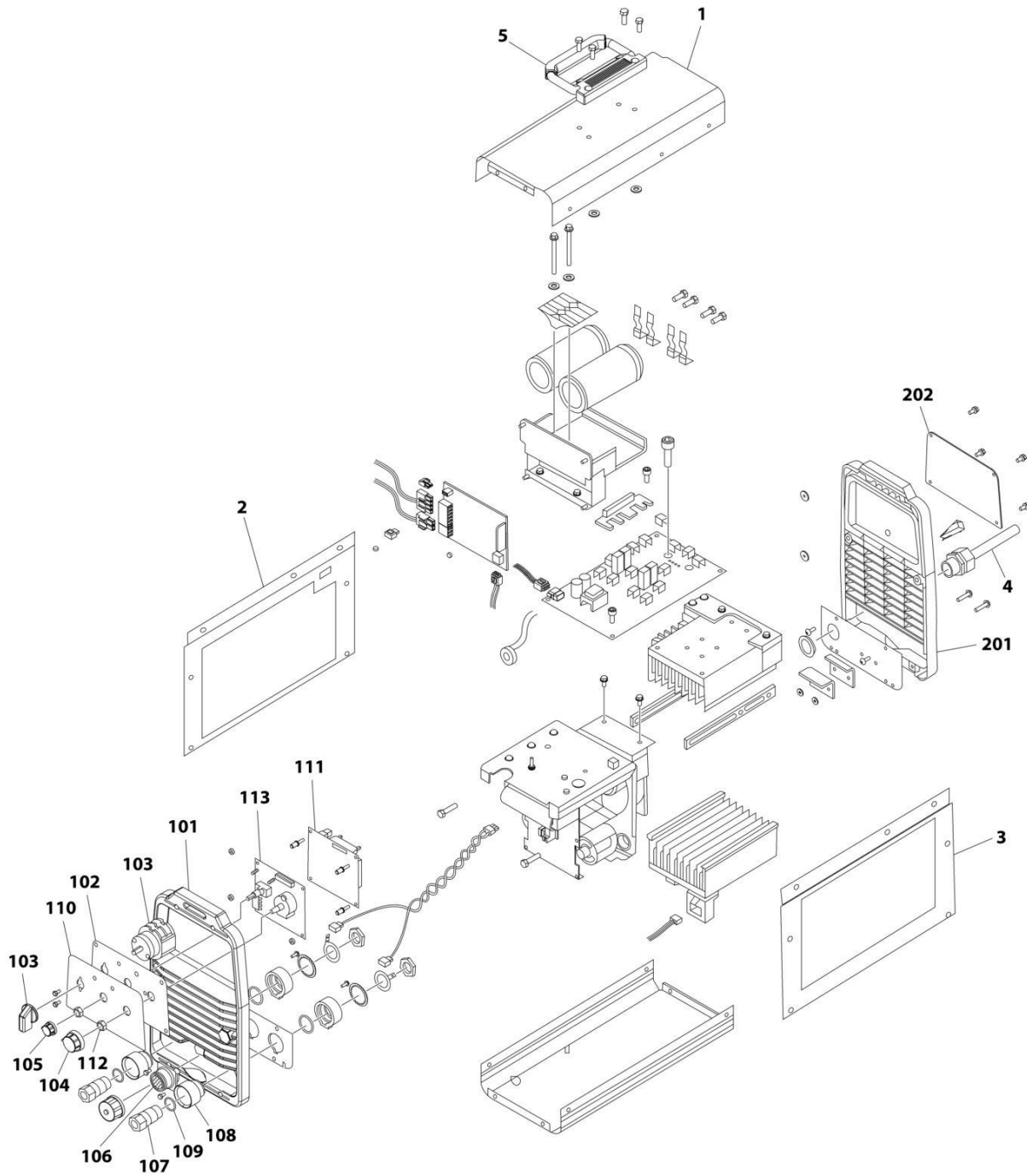
SECTION 5 - PLATFORM

FIGURE 5-33. SKYWELDER INSTALLATION (60HZ)

| ITEM | PART NUMBER | QTY | DESCRIPTION | REV |
|------|-------------|-----|--|-----|
| | 0272254 | Ref | SKYWELDER INSTALLATION | I |
| 1 | 0100011 | AR | Compound, Locking | |
| 2 | 0630518 | 2 | Screw #10 x 3/4 | |
| 3 | 0641606 | 4 | Bolt 3/8 x 3/4 | |
| 4 | 1320302 | 2 | U-Clamp | |
| 5 | 2030010 | 1 | Extinguisher, Fire | |
| 6 | 2902217 | 1 | Weld Leads Kit | |
| 7 | 3300151 | 4 | Nut 1/4 | |
| 8 | 3311005 | 2 | Nut #10 | |
| 9 | 3311605 | 4 | Nut 3/8 | |
| 10 | 3573400 | 1 | Bracket | |
| 11 | 3577121 | 2 | Angle | |
| 12 | 3573642 | 1 | Plate | |
| 13 | 4420037 | AR | Tape | |
| 14 | 4240099 | AR | Tie-Strap (Not Shown) | |
| 15 | 4460962 | 1 | Plug, Male Twistlock | |
| 17 | 4530028 | 1 | Welder Assembly (See Separate Breakdown in this Section) | |
| 18 | 4751400 | 4 | Washer 1/4 | |
| 19 | 4751600 | 8 | Washer 3/8 | |
| 20 | 4846627 | 1 | Support | |
| 21 | 1671093 | 1 | Cover, Plug | |
| 22 | 4751000 | 2 | Washer #10 | |

SECTION 5 - PLATFORM

FIGURE 5-34. WELDER ASSEMBLY



ART_4530028

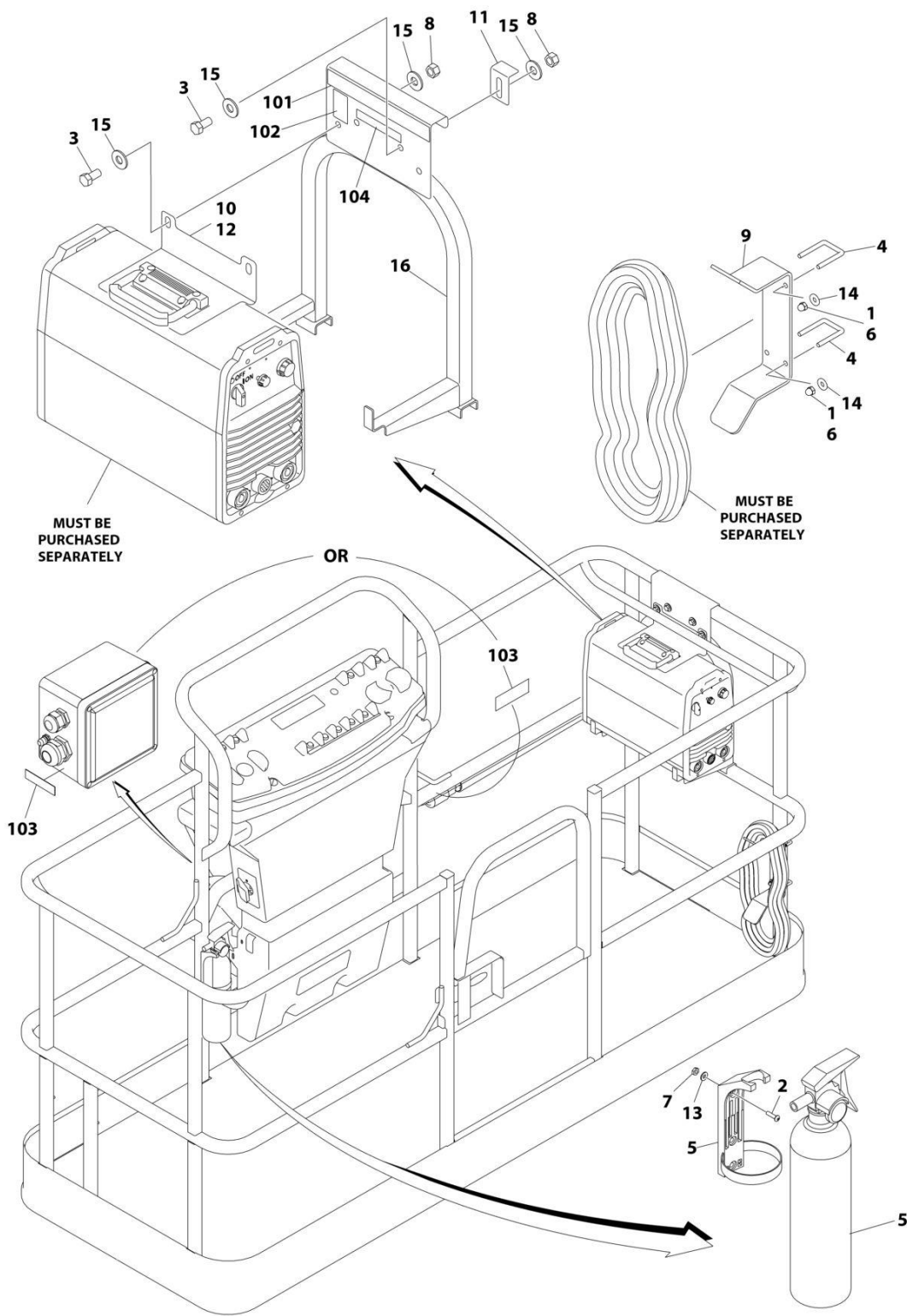
SECTION 5 - PLATFORM

FIGURE 5-34. WELDER ASSEMBLY

| ITEM | PART NUMBER | QTY | DESCRIPTION | REV |
|------|-------------|-----|--|-----|
| | 4530028 | Ref | WELDER ASSEMBLY | B |
| | | Ref | Note: For Other Components, contact your Miller Welder Dealer. | |
| 1 | 7027773 | 1 | Cover, Top | |
| 1 | 7027774 | 1 | Decal - Static Precautionary Warning | |
| 2 | See Note | NSS | Panel, LH Side (Note: Part of Item 1. Purchase Item 1) | |
| 3 | See Note | NSS | Panel, RH Side (Note: Part of Item 1. Purchase Item 1) | |
| 4 | 7024467 | 1 | Cable, Power | |
| 4 | 7027775 | 1 | Decal - Electrical Shock Warning (Not Shown) | |
| 5 | 7027776 | 1 | Handle, Carrying | |
| 101 | 7024462 | 1 | Panel, Front | |
| 102 | 7024463 | 1 | Panel, Console | |
| 103 | 7024469 | 1 | Switch with Lead | |
| 104 | 7024470 | 1 | Knob | |
| 105 | 7024471 | 1 | Knob | |
| 106 | 7024472 | 1 | Receptacle with Leads and Plugs | |
| 107 | 7024473 | 2 | Receptacle, Twistlock Female | |
| 108 | 7024474 | 2 | Insulator | |
| 109 | 7024475 | 2 | O-Ring | |
| 110 | 7027777 | 1 | Nameplate | |
| 111 | 7027779 | 1 | Circuit Card Assembly (Process Control) | |
| 112 | 7024478 | 2 | Nut | |
| 113 | 7027778 | 1 | Circuit Card Assembly (Operator Interface) | |
| 201 | 7024462 | 1 | Panel, Rear | |
| 202 | 7027780 | 1 | Panel, Cover | |

SECTION 5 - PLATFORM

FIGURE 5-35. SKYWELDER PREP PACKAGE (60HZ)



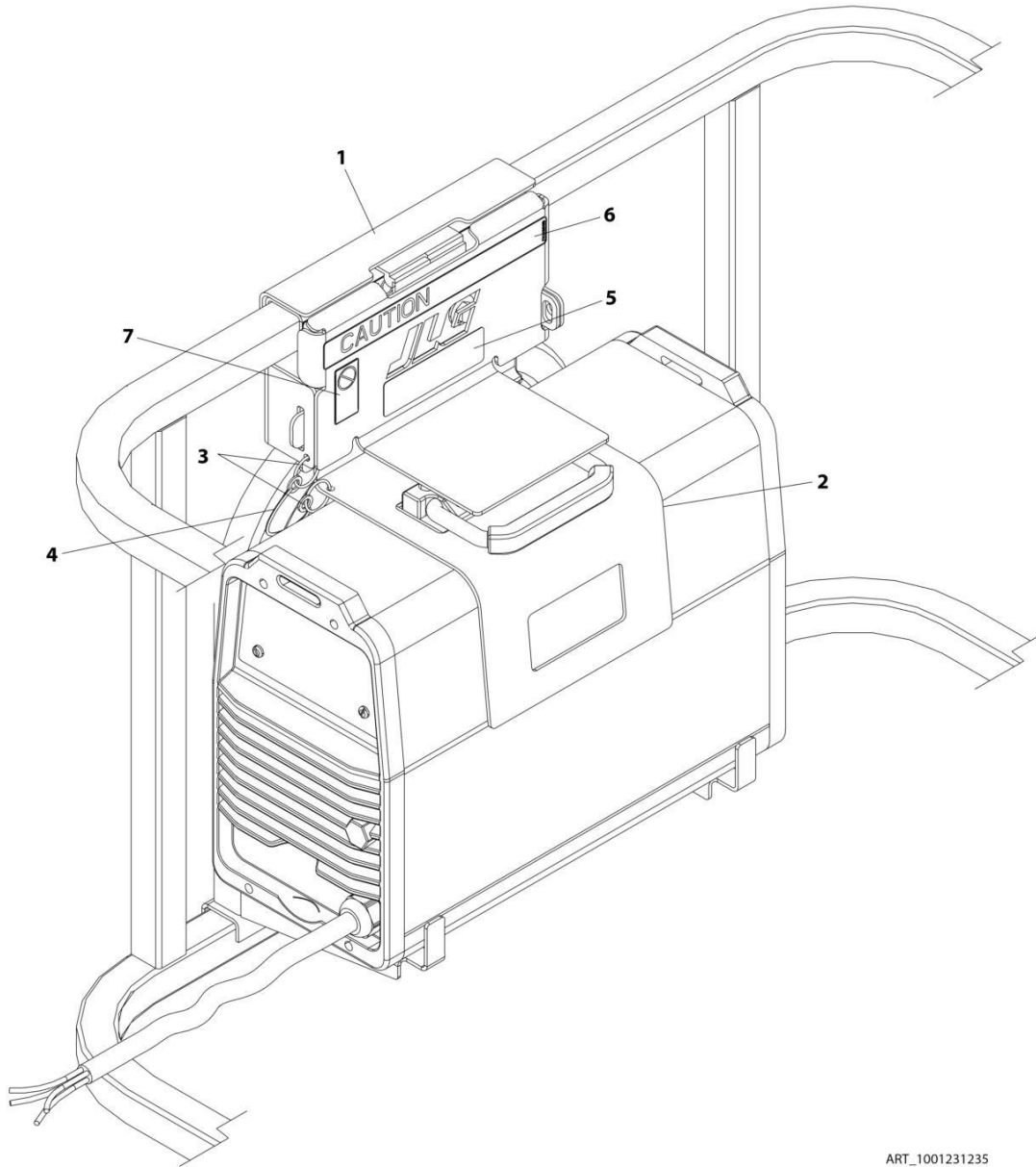
SECTION 5 - PLATFORM

FIGURE 5-35. SKYWELDER PREP PACKAGE (60HZ)

| ITEM | PART NUMBER | QTY | DESCRIPTION | REV |
|------|-------------|-----|-------------------------------|-----|
| | 1001128527 | Ref | SKYWELDER PREP PACKAGE | B |
| 1 | 0100011 | AR | Compound, Locking | |
| 2 | 0630518 | 2 | Screw #10 x 3/4 | |
| 3 | 0641606 | 4 | Bolt 3/8 x 3/4 | |
| 4 | 1320302 | 2 | U-Clamp | |
| 5 | 2030010 | 1 | Extinguisher, Fire | |
| 6 | 3300151 | 4 | Nut 1/4 | |
| 7 | 3311005 | 2 | Nut #10 | |
| 8 | 3311605 | 4 | Nut 3/8 | |
| 9 | 3573400 | 1 | Bracket | |
| 10 | 3573642 | 1 | Plate | |
| 11 | 3577121 | 2 | Angle | |
| 12 | 4420037 | AR | Tape | |
| 13 | 4751000 | 2 | Washer #10 | |
| 14 | 4751400 | 4 | Washer 1/4 | |
| 15 | 4751600 | 8 | Washer 3/8 | |
| 16 | 4846627 | 1 | Support | |
| | 1001128556 | Ref | SKYWELDER DECAL INSTALLATION | C |
| 101 | 1702868 | 1 | Decal - No Hands | |
| 102 | 1705305 | 1 | Decal - Weld Lead | |
| 103 | 1705375 | 1 | Decal - 240V - 3 Phase - 60Hz | |
| 104 | 1001228988 | 1 | Decal - Weight | |

SECTION 5 - PLATFORM

FIGURE 5-36. SKYWELDER LOCKING BRACKET INSTALLATION (OPTIONAL)



ART_1001231235

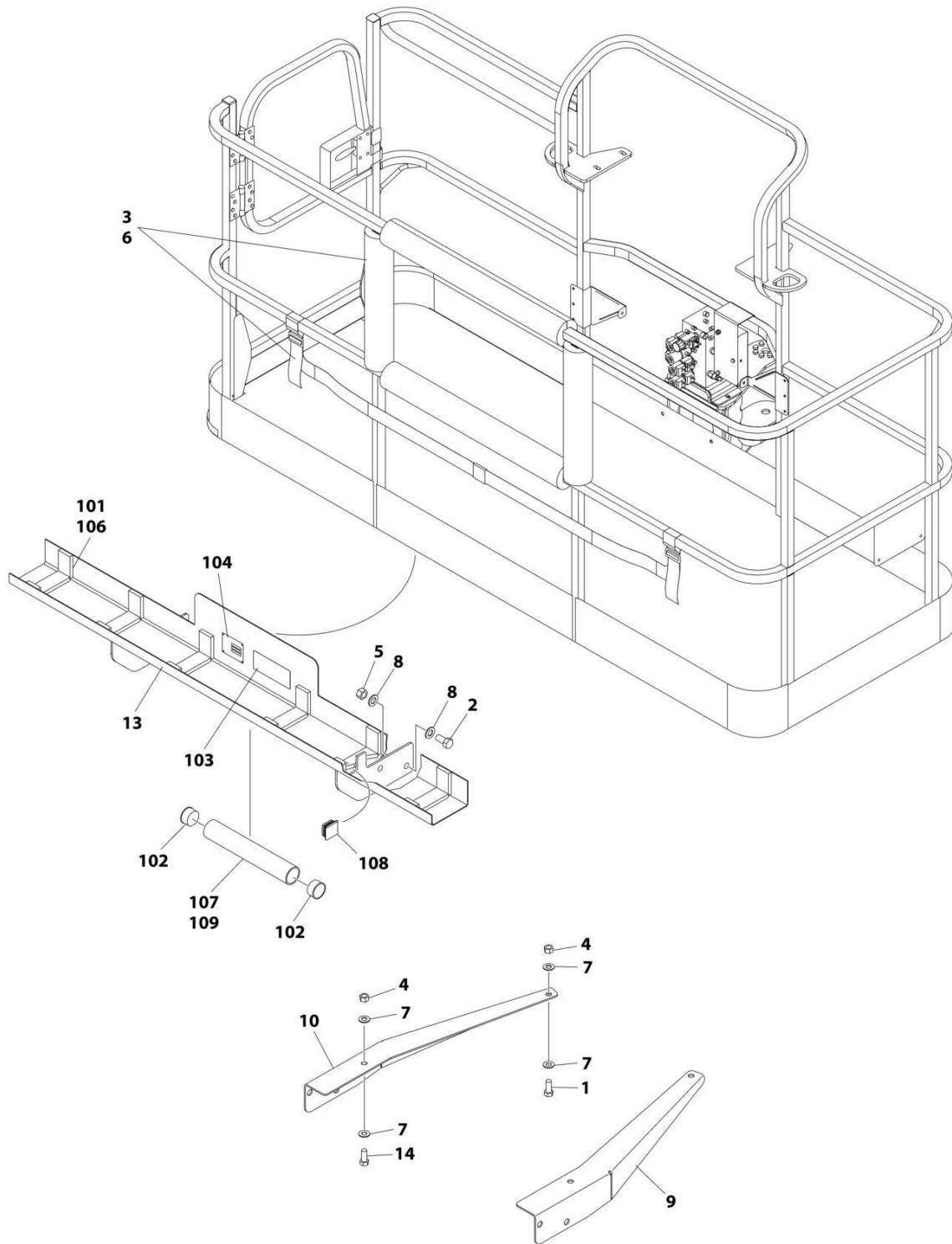
SECTION 5 - PLATFORM

FIGURE 5-36. SKYWELDER LOCKING BRACKET INSTALLATION (OPTIONAL)

| ITEM | PART NUMBER | QTY | DESCRIPTION | REV |
|------|-------------|-----|--|-----|
| | 1001231235 | Ref | SKYWELDER LOCKING BRACKET INSTALLATION | A |
| 1 | 1001231180 | 1 | Bracket | |
| 2 | 1001231183 | 1 | Plate | |
| 3 | 3760170 | 2 | Ring | |
| 4 | 1060379 | 1 | Lanyard | |
| 5 | 1001228988 | 1 | Decal - Weight | |
| 6 | 1702868 | 1 | Decal - No Hands | |
| 7 | 1705305 | 1 | Decal - Weld Lead | |

SECTION 5 - PLATFORM

FIGURE 5-37. SKYGLAZIER INSTALLATION (ALL SPECS EXCEPT CHINA AND JAPANESE SPECS)



ART_1001172578_C

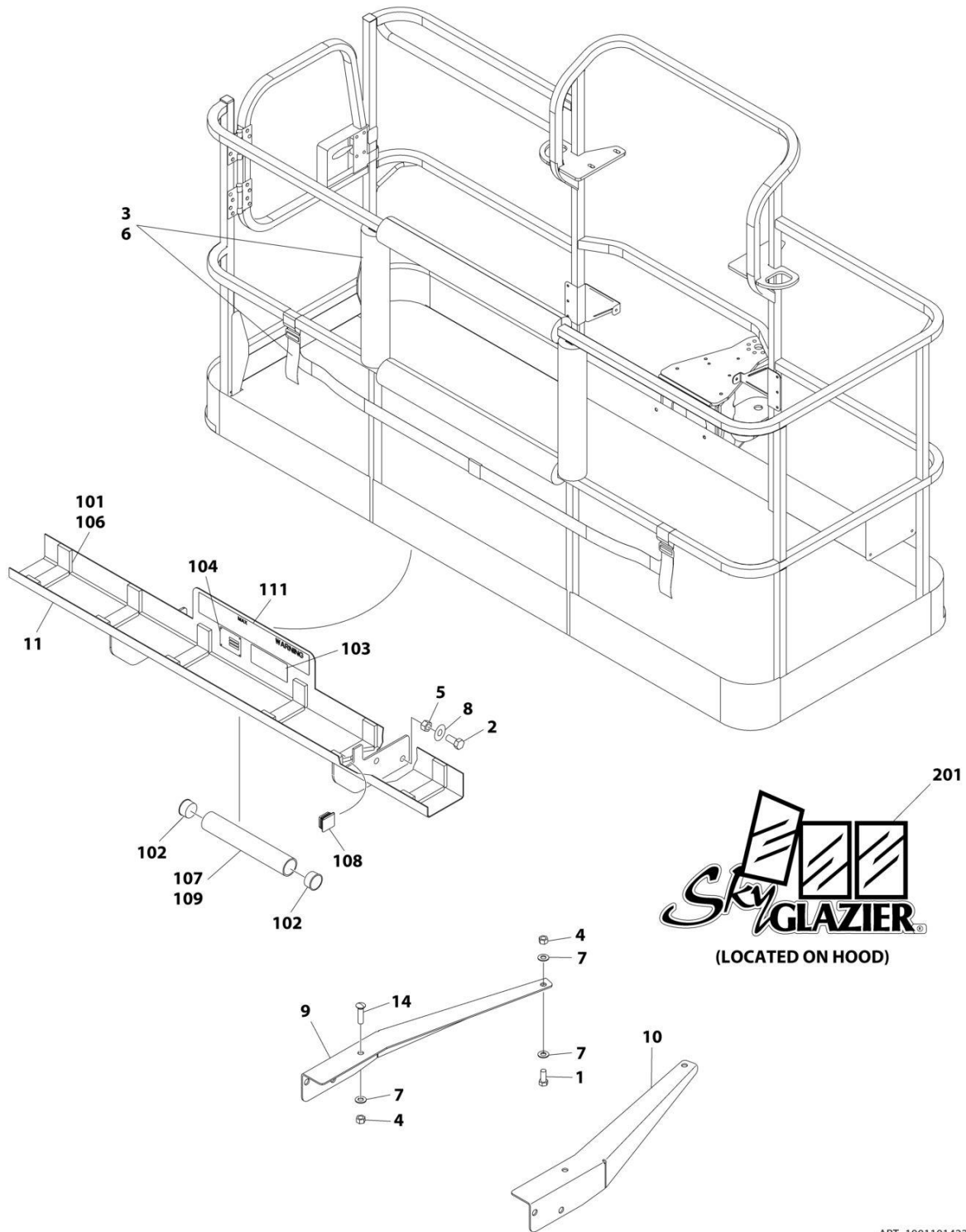
SECTION 5 - PLATFORM

FIGURE 5-37. SKYGLAZIER INSTALLATION (ALL SPECS EXCEPT CHINA AND JAPANESE SPECS)

| ITEM | PART NUMBER | QTY | DESCRIPTION | REV |
|------|-------------|-----|--|-----|
| | 1001172578 | Ref | SKYGLAZIER INSTALLATION | C |
| 1 | 0642012 | 2 | Bolt 5/8 x 1-1/2 | |
| 2 | 0642212 | 4 | Bolt 3/4 x 1-1/2 | |
| 3 | 2902212 | 1 | Bumpers and Strap Kit | |
| 3 | 0940102 | 1 | Bumper Only | |
| 3 | 4240149 | 1 | Strap Only | |
| 4 | 3312005 | 1 | Nut 5/8 | |
| 5 | 3312205 | 4 | Nut 3/4 | |
| 6 | 4420014 | AR | Tape | |
| 7 | 4712000 | 6 | Washer 5/8 | |
| 8 | 4712200 | 8 | Washer 3/4 | |
| 9 | 1001099366 | 1 | Support | |
| 10 | 1001099367 | 1 | Support | |
| 13 | 1001172577 | 1 | Tray Assembly (See Items 101-109 for Breakdown) | |
| 14 | 8310129 | 2 | Bolt 3/4 x 2-1/2 | |
| | 1001172577 | Ref | TRAY ASSEMBLY | C |
| 101 | 0100081 | AR | Adhesive | |
| 102 | 1120555 | 2 | Cap, Tube | |
| 103 | 1701509 | 1 | Decal - Manual | |
| 104 | See Note | NSS | Nameplate - Serial Number (Note: Not Available for Purchase) | |
| 106 | 3340956 | 1 | Pad Kit | |
| 107 | 3460334 | 1 | Tube | |
| 108 | 3520071 | 2 | Plug | |
| 109 | 4420066 | AR | Tape, Double Sided | |

SECTION 5 - PLATFORM

FIGURE 5-38. SKYGLAZIER INSTALLATION (ENGLISH LANGUAGE DECALS)



ART_1001101422

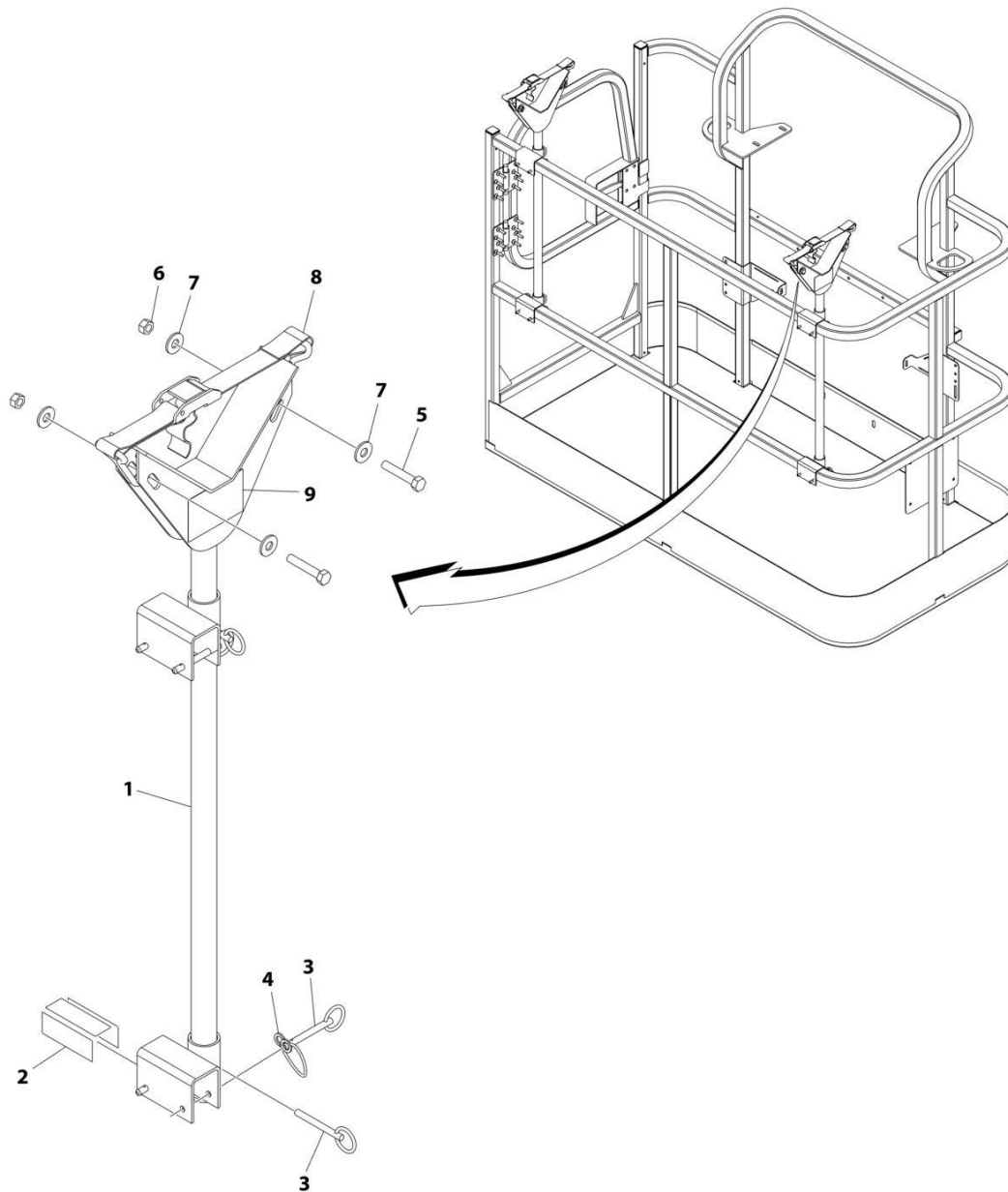
SECTION 5 - PLATFORM

FIGURE 5-38. SKYGLAZIER INSTALLATION (ENGLISH LANGUAGE DECALS)

| ITEM | PART NUMBER | QTY | DESCRIPTION | REV |
|------|-------------|-----|--|-----|
| | 1001101422 | Ref | SKYGLAZIER INSTALLATION | C |
| 1 | 0642012 | 2 | Bolt 5/8 x 1-1/2 | |
| 2 | 0642212 | 4 | Bolt 3/4 x 1-1/2 | |
| 3 | 2902212 | 1 | Bumpers and Strap Kit | |
| 3 | 0940102 | 1 | Bumper Only | |
| 3 | 4240149 | 1 | Strap Only | |
| 4 | 3312005 | 4 | Nut 5/8 | |
| 5 | 3312205 | 4 | Nut 3/4 | |
| 6 | 4420014 | AR | Tape | |
| 7 | 4712000 | 6 | Washer 5/8 | |
| 8 | 4712200 | 8 | Washer 3/4 | |
| 9 | 1001099366 | 1 | Support | |
| 10 | 1001099367 | 1 | Support | |
| 11 | 1001101421 | 1 | Tray Assembly (See Items 101-111 for Breakdown) | |
| 14 | 8310129 | 2 | Bolt 3/4 x 2-1/2 | |
| | 1001101421 | Ref | TRAY ASSEMBLY | F |
| 101 | 0100081 | AR | Adhesive | |
| 102 | 1120555 | 2 | Cap, Tube | |
| 103 | 1701509 | 1 | Decal - Manual | |
| 104 | See Note | NSS | Nameplate - Serial Number (Note: Not Available for Purchase) | |
| 106 | 3340956 | 1 | Pad Kit | |
| 107 | 3460334 | 1 | Tube | |
| 108 | 3520071 | 2 | Plug | |
| 109 | 4420066 | AR | Tape, Double Sided | |
| 111 | 1001163131 | 2 | Decal - Glazier Capacity | |
| | 0272418 | Ref | SKYGLAZIER DECAL INSTALLATION | 4 |
| 201 | 1705358 | 2 | Decal - SkyGlazier | |

SECTION 5 - PLATFORM

FIGURE 5-39. PIPE RACKS INSTALLATION (ANSI AND CSA SPECS)



ART_0257728

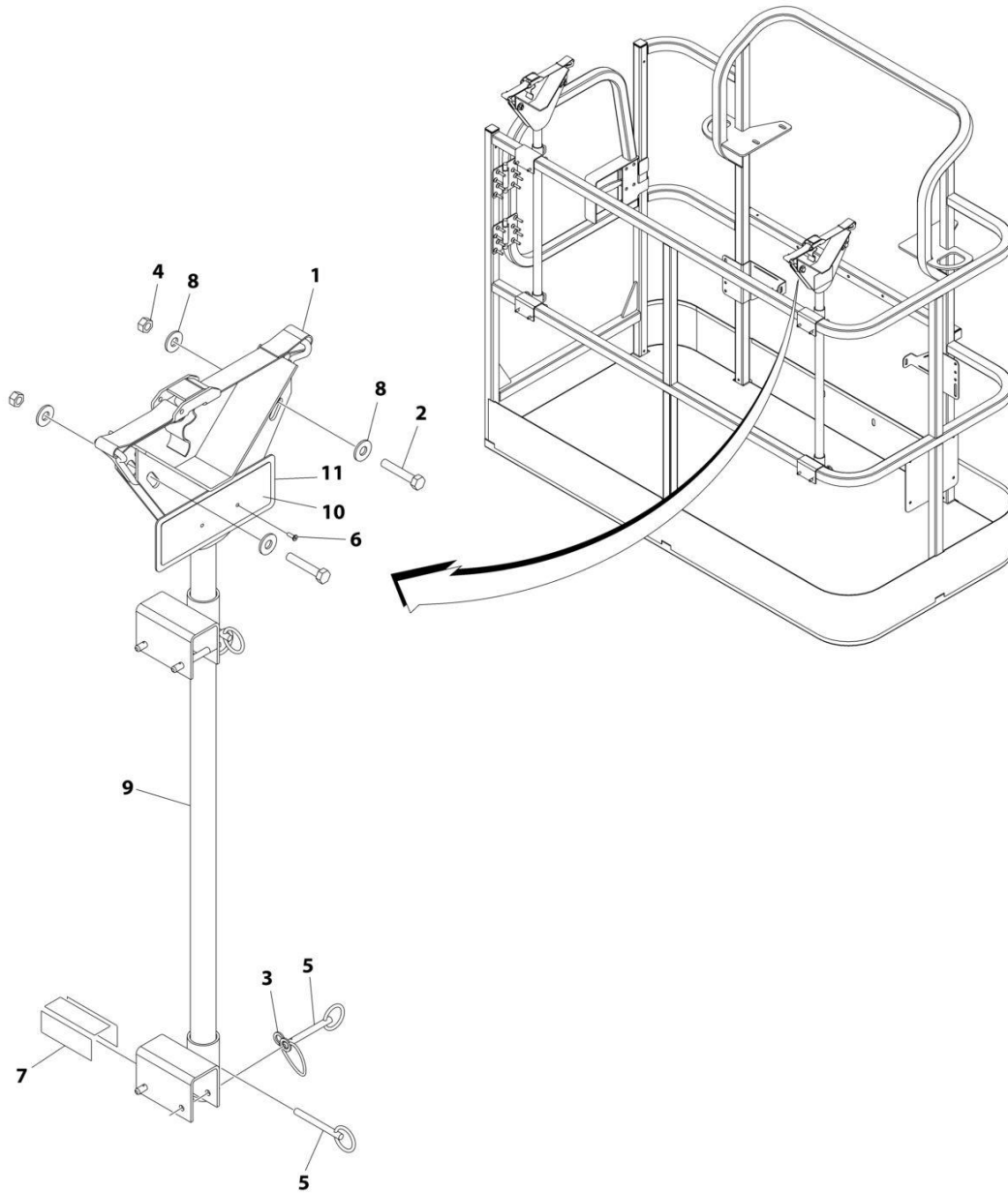
SECTION 5 - PLATFORM

FIGURE 5-39. PIPE RACKS INSTALLATION (ANSI AND CSA SPECS)

| ITEM | PART NUMBER | QTY | DESCRIPTION | REV |
|------|-------------|-----|---------------------------|-----|
| | 0257728 | Ref | PIPE RACK INSTALLATION | 3/E |
| 1 | 4845582 | 2 | Rack, Pipe | |
| 2 | 4420062 | AR | Tape | |
| 3 | 3422661 | 10 | Pin | |
| 4 | 1060379 | 4 | Lanyard | |
| 5 | 0641514 | 4 | Bolt 5/16 x 1-3/4 | |
| 6 | 3311505 | 4 | Nut 5/16 | |
| 7 | 4751500 | 8 | Washer 5/16 | |
| 8 | 0480100 | 2 | Tie-Down | |
| 11 | 1001252946 | 2 | Decal - Tube Rack Cap (1) | |
| 12 | 1001252947 | 2 | Decal - Tube Rack Cap (2) | |

SECTION 5 - PLATFORM

FIGURE 5-40. PIPE RACKS INSTALLATION (ANSI EXPORT SPECS)



ART_1001107497

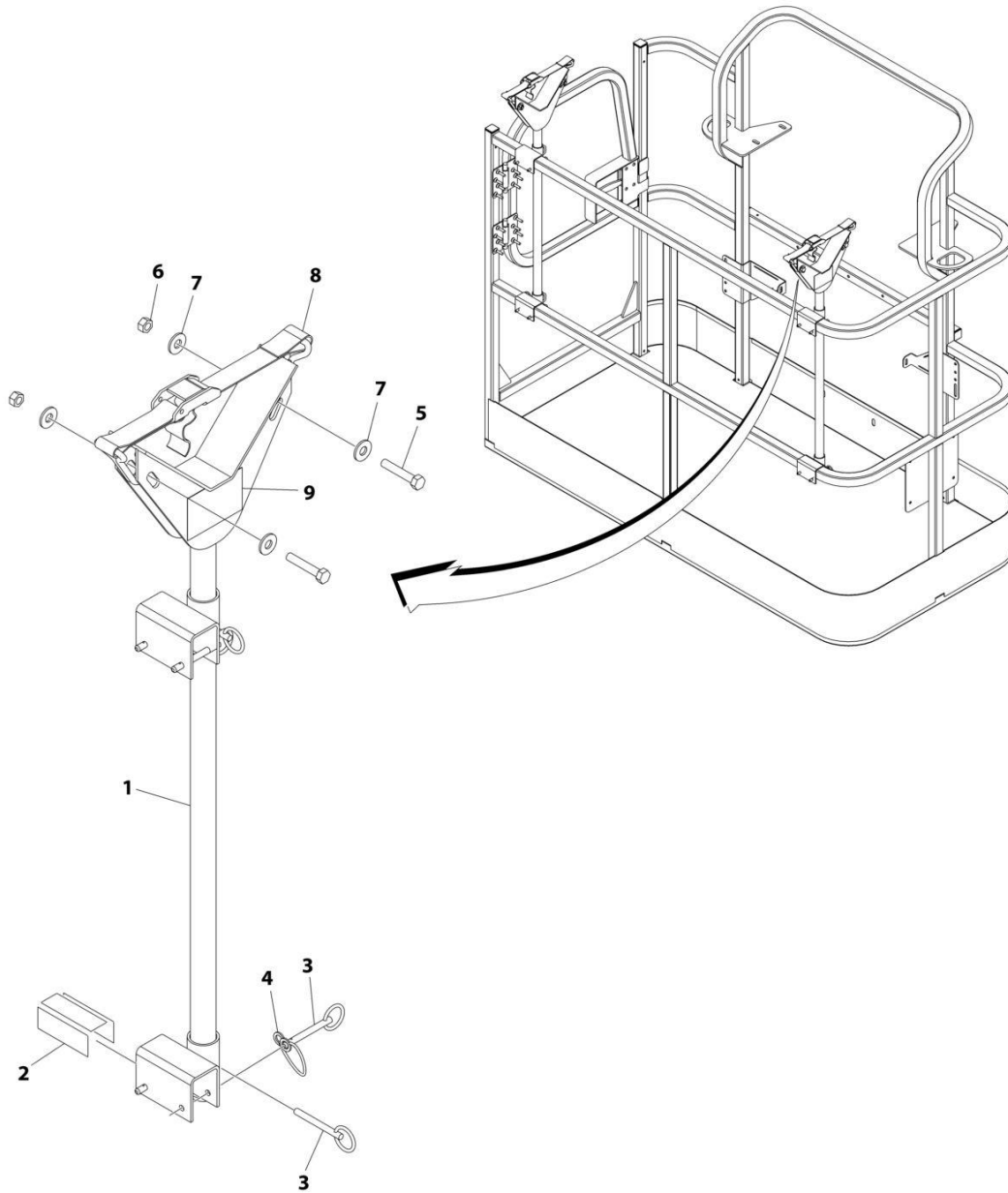
SECTION 5 - PLATFORM

FIGURE 5-40. PIPE RACKS INSTALLATION (ANSI EXPORT SPECS)

| ITEM | PART NUMBER | QTY | DESCRIPTION | REV |
|------|-------------|-----|------------------------|-----|
| | 1001107497 | Ref | PIPE RACK INSTALLATION | A |
| 1 | 4845582 | 2 | Rack, Pipe | |
| 2 | 4420062 | AR | Tape | |
| 3 | 3422661 | 10 | Pin | |
| 4 | 1060379 | 4 | Lanyard | |
| 5 | 0641514 | 4 | Bolt 5/16 x 1-3/4 | |
| 6 | 3311505 | 4 | Nut 5/16 | |
| 7 | 4751500 | 8 | Washer 5/16 | |
| 8 | 0480100 | 2 | Tie-Down | |
| 9 | 1001106450 | 2 | Decal - Capacity | |
| 10 | 3820001 | 4 | Rivet | |
| 11 | 1001107469 | 2 | Plate, Mounting | |

SECTION 5 - PLATFORM

FIGURE 5-41. PIPE RACKS INSTALLATION (AUSTRALIAN SPECS)



ART_0274661

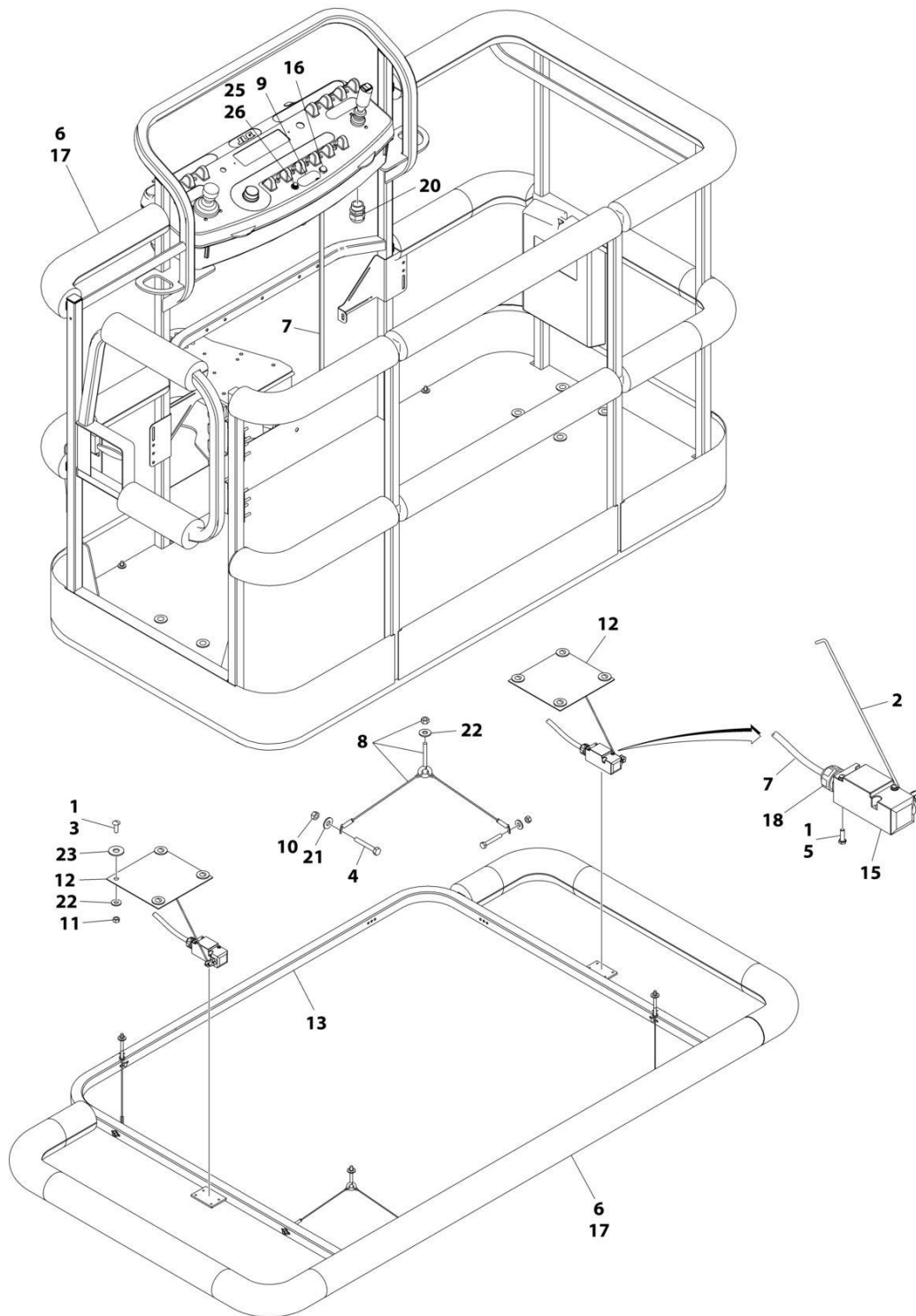
SECTION 5 - PLATFORM

FIGURE 5-41. PIPE RACKS INSTALLATION (AUSTRALIAN SPECS)

| ITEM | PART NUMBER | QTY | DESCRIPTION | REV |
|------|-------------|-----|------------------------|-----|
| | 0274661 | Ref | PIPE RACK INSTALLATION | 3/C |
| 1 | 4845582 | 2 | Rack, Pipe | |
| 2 | 4420062 | AR | Tape | |
| 3 | 3422661 | 10 | Pin | |
| 4 | 1060379 | 4 | Lanyard | |
| 5 | 0641514 | 4 | Bolt 5/16 x 1-3/4 | |
| 6 | 3311505 | 4 | Nut 5/16 | |
| 7 | 4751500 | 8 | Washer 5/16 | |
| 8 | 0480100 | 2 | Tie-Down | |
| 9 | 1706510 | 2 | Decal - Capacity | |

SECTION 5 - PLATFORM

FIGURE 5-42. SOFT TOUCH SYSTEM INSTALLATION - 6FT/1.83M PLATFORM



ART_0273824

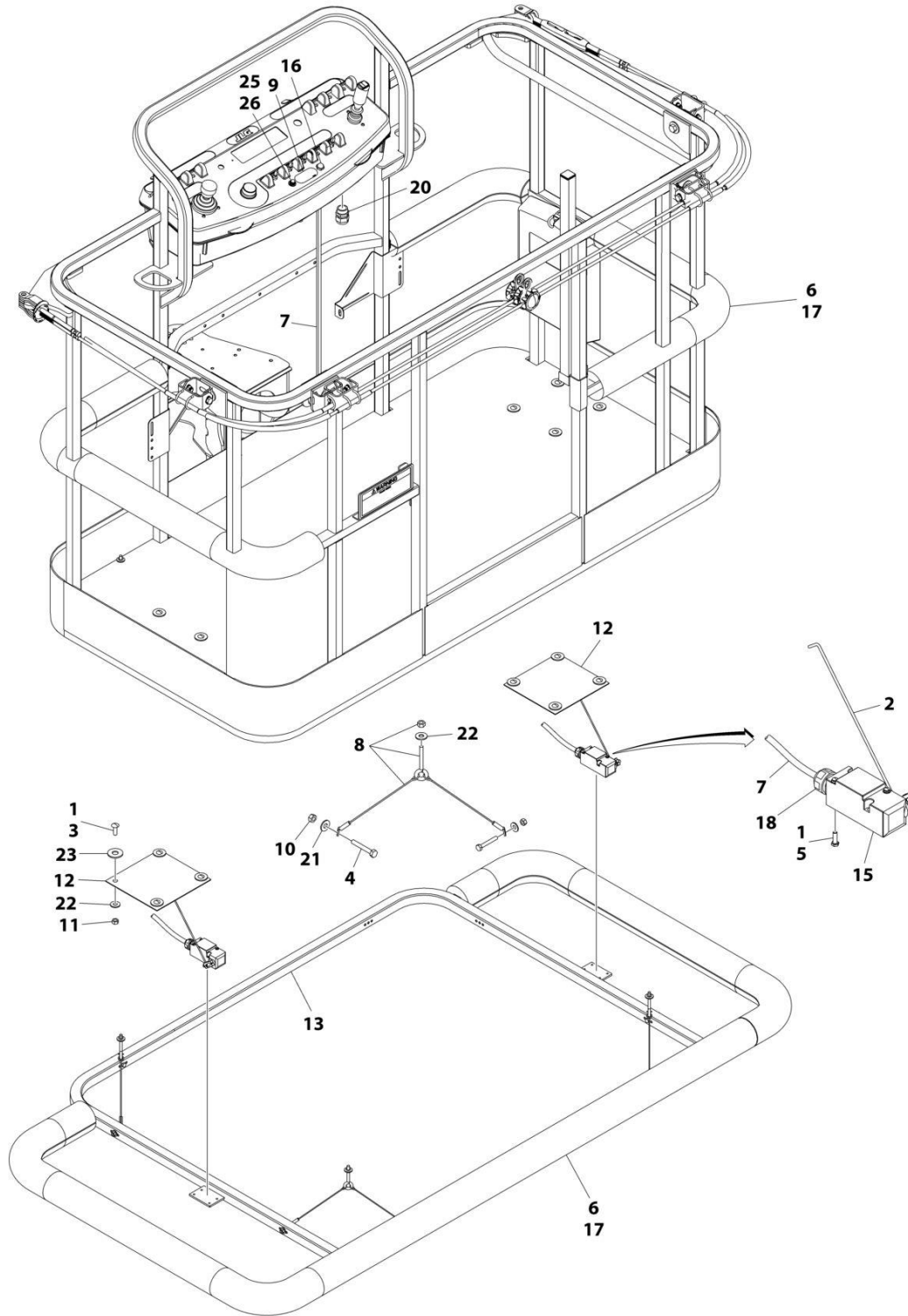
SECTION 5 - PLATFORM

FIGURE 5-42. SOFT TOUCH SYSTEM INSTALLATION - 6FT/1.83M PLATFORM

| ITEM | PART NUMBER | QTY | DESCRIPTION | REV |
|------|-------------|----------|---|-----|
| | 0273824 | Ref | SOFT TOUCH SYSTEM INSTALLATION | D |
| 1 | 0100011 | AR | Compound, Locking | |
| 2 | 0200048 | 2 | Arm, Switch | |
| 3 | 0630462 | 8 | Bolt | |
| 4 | 0641414 | 8 | Bolt 1/4 x 1-3/4 | |
| 5 | 0721005 | 4 | Bolt #10 x 5/8 | |
| 6 | 0940134 | 1 | Bumper Kit (Includes Corners and Enough Straight Material for One Platform) | |
| 6 | 0940092 | AR | Bumper (Corner) | |
| 6 | 0940094 | AR | Bumper (12ft Length) | |
| 7 | 1060341 | 23 ft/7m | Cable, Soft Touch - 16/2 | |
| 8 | 1060903 | 4 | Wire Rope and Eyebolt Assembly | |
| 9 | 1702938 | 1 | Decal - Soft Touch Override | |
| 10 | 3311401 | 8 | Nut 1/4 | |
| 11 | 3311501 | 8 | Nut 5/16 | |
| 12 | 3575359 | 2 | Plate, Switch Strike | |
| 13 | 3641569 | 1 | Rail, Soft Touch | |
| 14 | 4240099 | 7 | Tie-Strap (Not Shown) | |
| 15 | 4360057 | 2 | Switch, Limit | |
| 16 | 4360387 | 1 | Switch, Push Button | |
| 17 | 4420068 | AR | Tape, Adhesive | |
| 17 | 1001197017 | AR | Tie-Strap | |
| 18 | 4460049 | 2 | Connector, Strain Relief | |
| 19 | 4460234 | 7 | Tie-Strap (Not Shown) | |
| 20 | 4460425 | 1 | Connector, Strain Relief | |
| 21 | 4751400 | 8 | Washer 1/4 | |
| 22 | 4751500 | 12 | Washer 5/16 | |
| 23 | 4751800 | 8 | Washer 1/2 | |
| 24 | 4933218 | 1 | Wiring Diagram (Not Shown - Reference Only) | |
| 25 | 2920028 | 1 | Light, Indicator | |
| 26 | 2920029 | 1 | Bulb, Light | |

SECTION 5 - PLATFORM

FIGURE 5-43. SOFT TOUCH SYSTEM INSTALLATION - 6FT/1.83M FALL ARREST PLATFORM



ART_1001108256

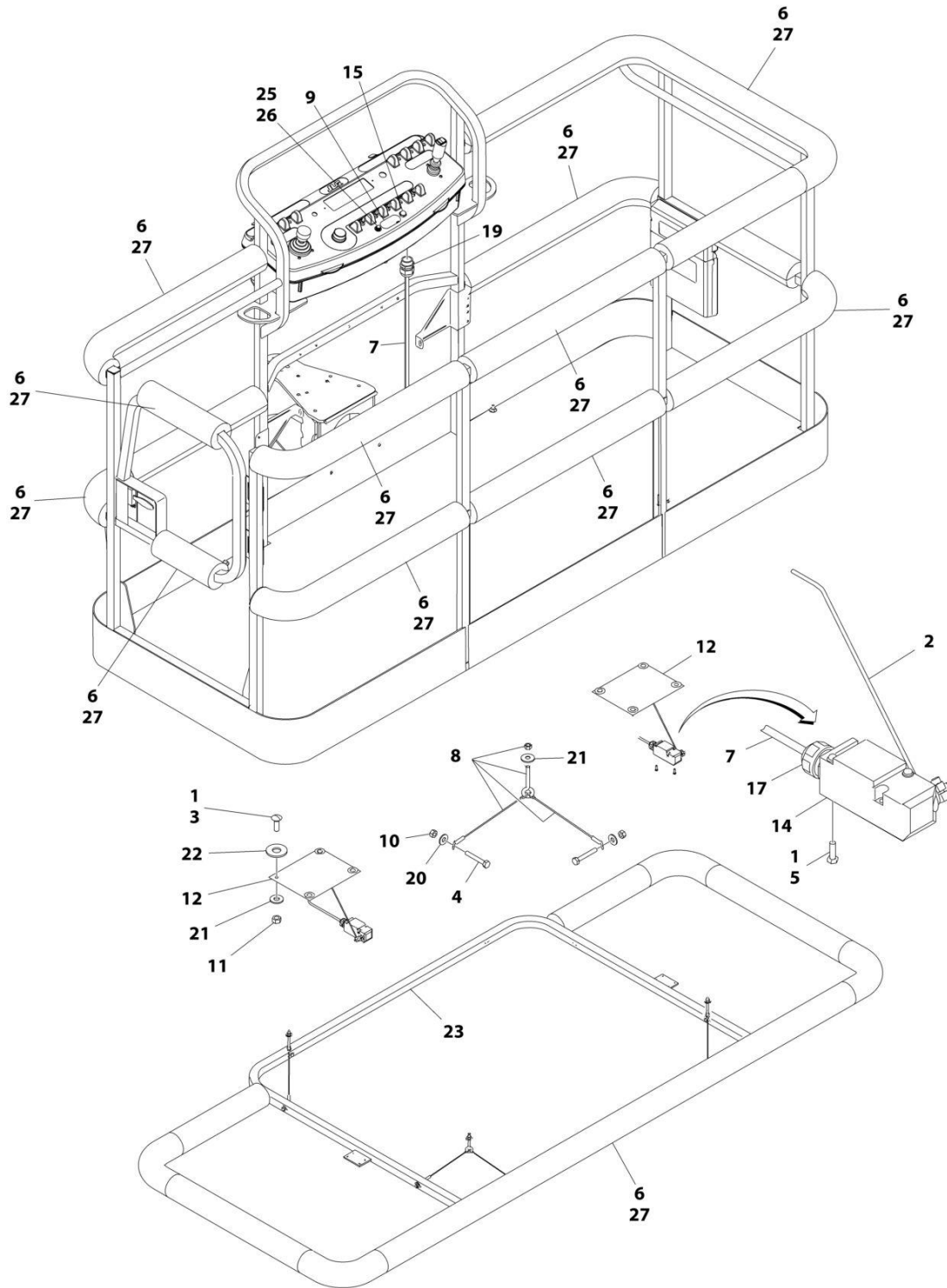
SECTION 5 - PLATFORM

FIGURE 5-43. SOFT TOUCH SYSTEM INSTALLATION - 6FT/1.83M FALL ARREST PLATFORM

| ITEM | PART NUMBER | QTY | DESCRIPTION | REV |
|------|-------------|----------|---|-----|
| | 1001108256 | Ref | SOFT TOUCH INSTALLATION | C |
| 1 | 0100011 | AR | Compound, Locking | |
| 2 | 0200048 | 2 | Arm, Switch | |
| 3 | 0630462 | 8 | Bolt | |
| 4 | 0641414 | 8 | Bolt 1/4 x 1-3/4 | |
| 5 | 0721005 | 4 | Bolt #10 x 5/8 | |
| 6 | 0940177 | 1 | Bumper Kit (Includes Corners and Enough Straight Material for One Platform) | |
| 6 | 0940092 | 8 | Bumper (Corner) | |
| 6 | 0940094 | AR | Bumper (12ft Length) | |
| 7 | 1060341 | 23 ft/7m | Cable, Soft Touch - 16/2 | |
| 8 | 1060903 | 4 | Wire Rope and Eyebolt Assembly | |
| 9 | 1702938 | 1 | Decal - Soft Touch Override | |
| 10 | 3311401 | 8 | Nut 1/4 | |
| 11 | 3311501 | 8 | Nut 5/16 | |
| 12 | 3575359 | 2 | Plate, Switch Strike | |
| 13 | 3641569 | 1 | Rail, Soft Touch | |
| 14 | 4240099 | 7 | Tie-Strap (Not Shown) | |
| 15 | 4360057 | 2 | Switch, Limit | |
| 16 | 4360387 | 1 | Switch, Push Button | |
| 17 | 4420068 | AR | Tape, Adhesive | |
| 17 | 1001197017 | AR | Tie-Strap | |
| 18 | 4420069 | 2 | Connector, Strain Relief | |
| 19 | 4460234 | 7 | Tie-Strap (Not Shown) | |
| 20 | 4460425 | 1 | Connector, Strain Relief | |
| 21 | 4751400 | 8 | Washer 1/4 | |
| 22 | 4751500 | 9 | Washer 5/16 | |
| 23 | 4751800 | 8 | Washer 1/2 | |
| 25 | 2920028 | 1 | Light, Indicator | |
| 26 | 2920029 | 1 | Bulb, Light | |

SECTION 5 - PLATFORM

FIGURE 5-44. SOFT TOUCH SYSTEM INSTALLATION - 8FT/2.44M PLATFORM



ART_0272427_G

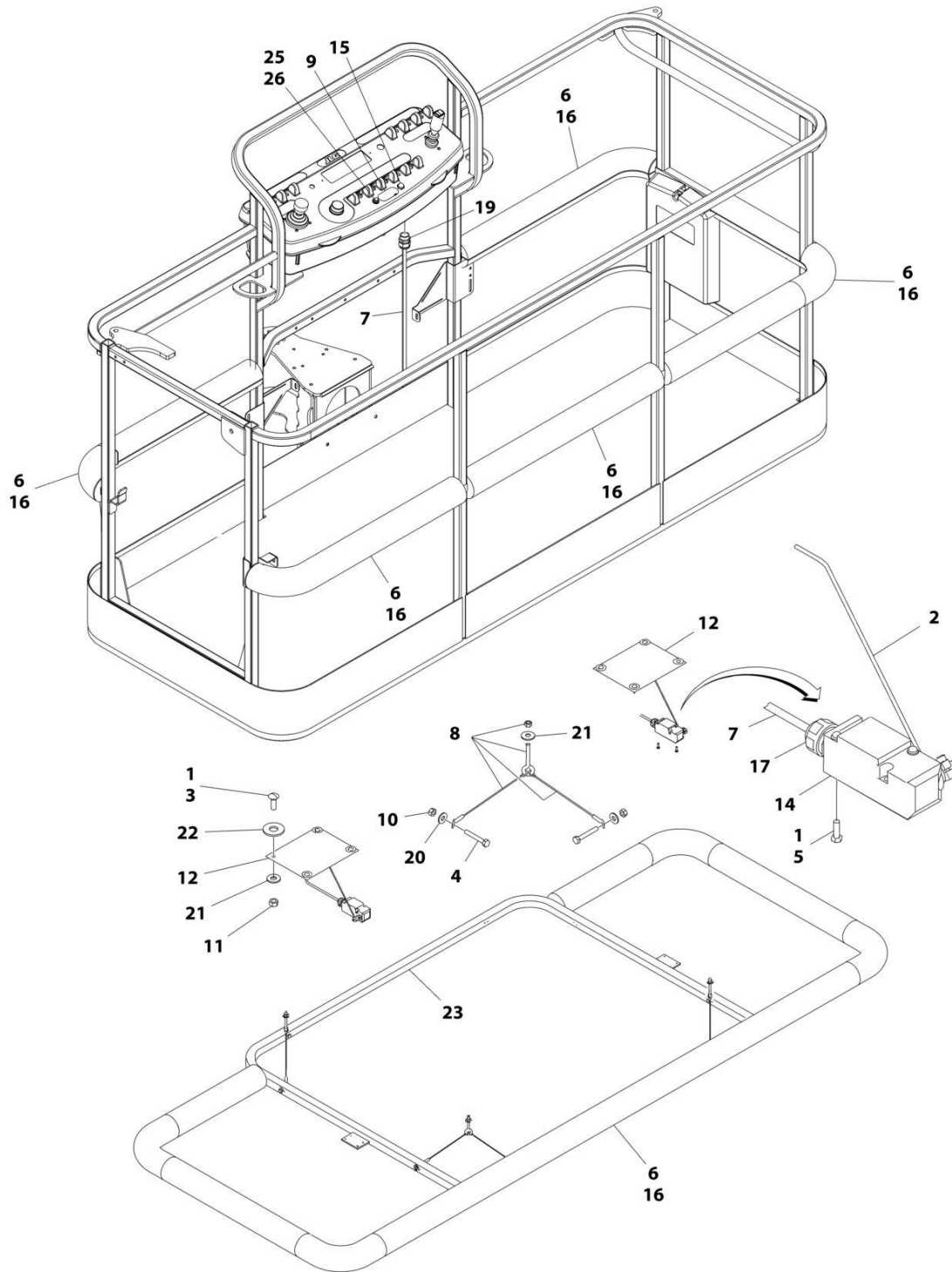
SECTION 5 - PLATFORM

FIGURE 5-44. SOFT TOUCH SYSTEM INSTALLATION - 8FT/2.44M PLATFORM

| ITEM | PART NUMBER | QTY | DESCRIPTION | REV |
|------|-------------|----------|---|-----|
| | 0272427 | Ref | SOFT TOUCH INSTALLATION - 36IN X 8FT (91.5CM X 2.44M) PLATFORM (OPTIONAL) | G |
| 1 | 0100011 | AR | Compound, Locking | |
| 2 | 0200048 | 2 | Arm, Switch | |
| 3 | 0630462 | 8 | Bolt | |
| 4 | 0641414 | 8 | Bolt 1/4 x 1-3/4 | |
| 5 | 0721005 | 4 | Bolt #10 x 5/8 | |
| 6 | 0940103 | 1 | Bumper Kit (Includes Corners and Enough Straight Material for One Platform) | |
| 6 | 0940092 | 12 | Bumper (Corner) | |
| 6 | 0940094 | AR | Bumper (12ft Length) | |
| 7 | 1060341 | 23 ft/7m | Cable, Soft Touch - 16/2 | |
| 8 | 1060903 | 4 | Wire Rope and Eyebolt Assembly | |
| 9 | 1702938 | 1 | Decal - Soft Touch Override | |
| 10 | 3311401 | 8 | Nut 1/4 | |
| 11 | 3311501 | 8 | Nut 5/16 | |
| 12 | 3574091 | 2 | Plate, Switch Strike | |
| 13 | 4240099 | 7 | Tie-Strap (Not Shown) | |
| 14 | 4360057 | 2 | Switch, Limit | |
| 15 | 4360387 | 1 | Switch, Push Button | |
| 16 | 4420068 | AR | Tape, Adhesive | |
| 16 | 1001197017 | AR | Tie-Strap | |
| 17 | 4460049 | 2 | Connector, Strain Relief | |
| 18 | 4460234 | 7 | Tie-Strap (Not Shown) | |
| 19 | 4460425 | 1 | Connector, Strain Relief | |
| 20 | 4751400 | 8 | Washer 1/4 | |
| 21 | 4751500 | 12 | Washer 5/16 | |
| 22 | 4751800 | 8 | Washer 1/2 | |
| 23 | 4846673 | 1 | Rail, Soft Touch | |
| 24 | 4933218 | 1 | Soft Touch Wiring Diagram (Not Shown - Reference Only) | |
| 25 | 2920028 | 1 | Light, Indicator | |
| 26 | 2920029 | 1 | Bulb, Light | |

SECTION 5 - PLATFORM

FIGURE 5-45. SOFT TOUCH SYSTEM INSTALLATION - 8FT/2.44M FALL ARREST PLATFORM



ART_0273706

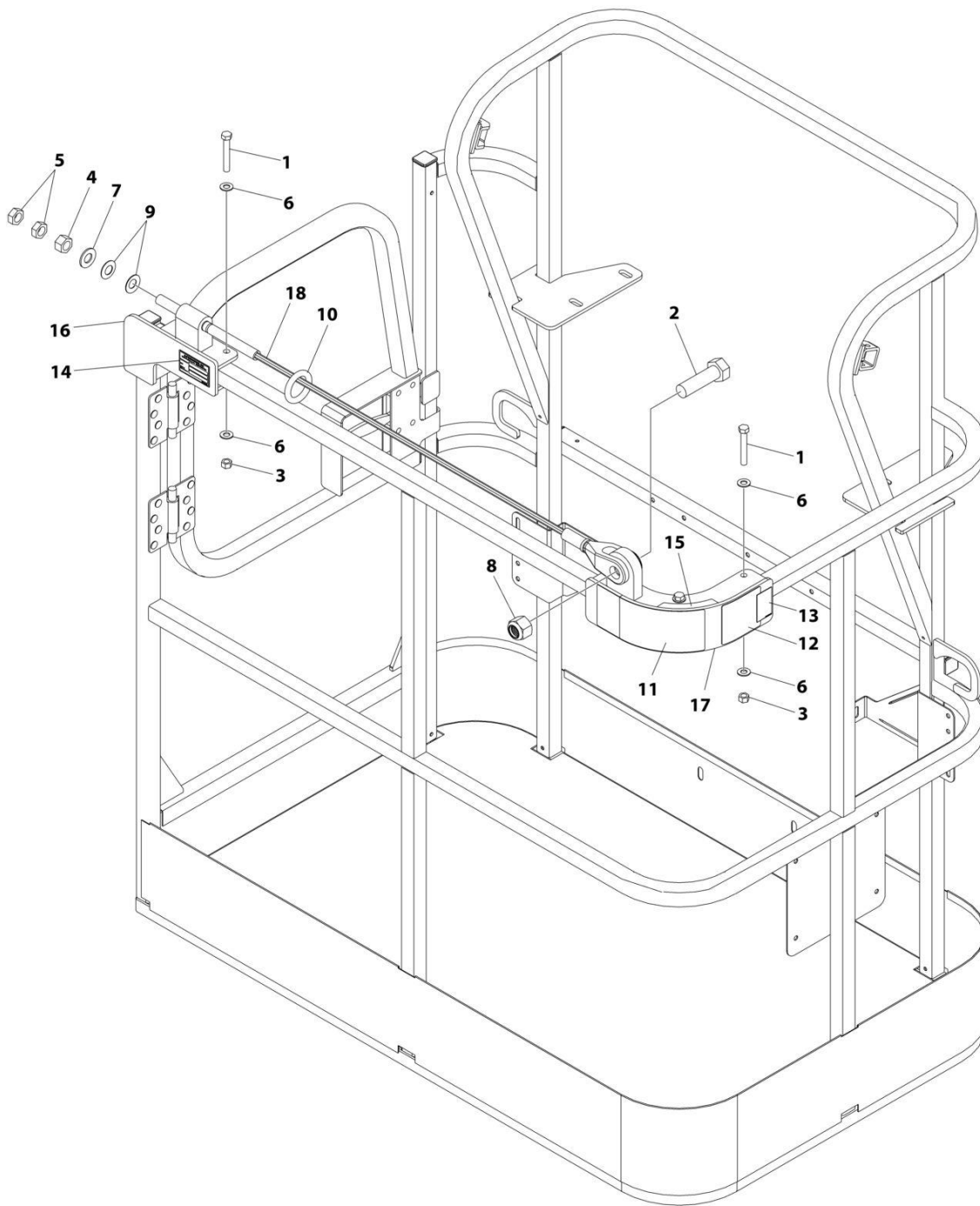
SECTION 5 - PLATFORM

FIGURE 5-45. SOFT TOUCH SYSTEM INSTALLATION - 8FT/2.44M FALL ARREST PLATFORM

| ITEM | PART NUMBER | QTY | DESCRIPTION | REV |
|------|-------------|----------|---|-----|
| | 0273706 | Ref | SOFT TOUCH INSTALLATION | D |
| 1 | 0100011 | AR | Compound, Locking | |
| 2 | 0200048 | 2 | Arm, Switch | |
| 3 | 0630462 | 8 | Bolt | |
| 4 | 0641414 | 8 | Bolt 1/4 x 1-3/4 | |
| 5 | 0721005 | 4 | Bolt #10 x 5/8 | |
| 6 | 0940133 | 1 | Bumper Kit (Includes Corners and Enough Straight Material for One Platform) | |
| 6 | 0940092 | 8 | Bumper (Corner) | |
| 6 | 0940094 | AR | Bumper (12ft Length) | |
| 7 | 1060341 | 23 ft/7m | Cable, Soft Touch - 16/2 | |
| 8 | 1060903 | 4 | Wire Rope and Eyebolt Assembly | |
| 9 | 1702938 | 1 | Decal - Soft Touch Override | |
| 10 | 3311401 | 8 | Nut 1/4 | |
| 11 | 3311501 | 8 | Nut 5/16 | |
| 12 | 3574091 | 2 | Plate, Switch Strike | |
| 13 | 4240099 | 7 | Tie-Strap (Not Shown) | |
| 14 | 4360057 | 2 | Switch, Limit | |
| 15 | 4360387 | 1 | Switch, Push Button | |
| 16 | 4420068 | AR | Tape, Adhesive | |
| 16 | 1001197017 | AR | Tie-Strap | |
| 17 | 4460049 | 2 | Connector, Strain Relief | |
| 18 | 4460234 | 7 | Tie-Strap (Not Shown) | |
| 19 | 4460425 | 1 | Connector, Strain Relief | |
| 20 | 4751400 | 8 | Washer 1/4 | |
| 21 | 4751500 | 12 | Washer 5/16 | |
| 22 | 4751800 | 8 | Washer 1/2 | |
| 23 | 4846673 | 1 | Rail, Soft Touch | |
| 25 | 2920028 | 1 | Light, Indicator | |
| 26 | 2920029 | 1 | Bulb, Light | |

SECTION 5 - PLATFORM

FIGURE 5-46. FALL ARREST INSTALLATION (BOLT-ON) 30IN X 4FT (76CM X 1.22M) PLATFORM



ART_1001261338

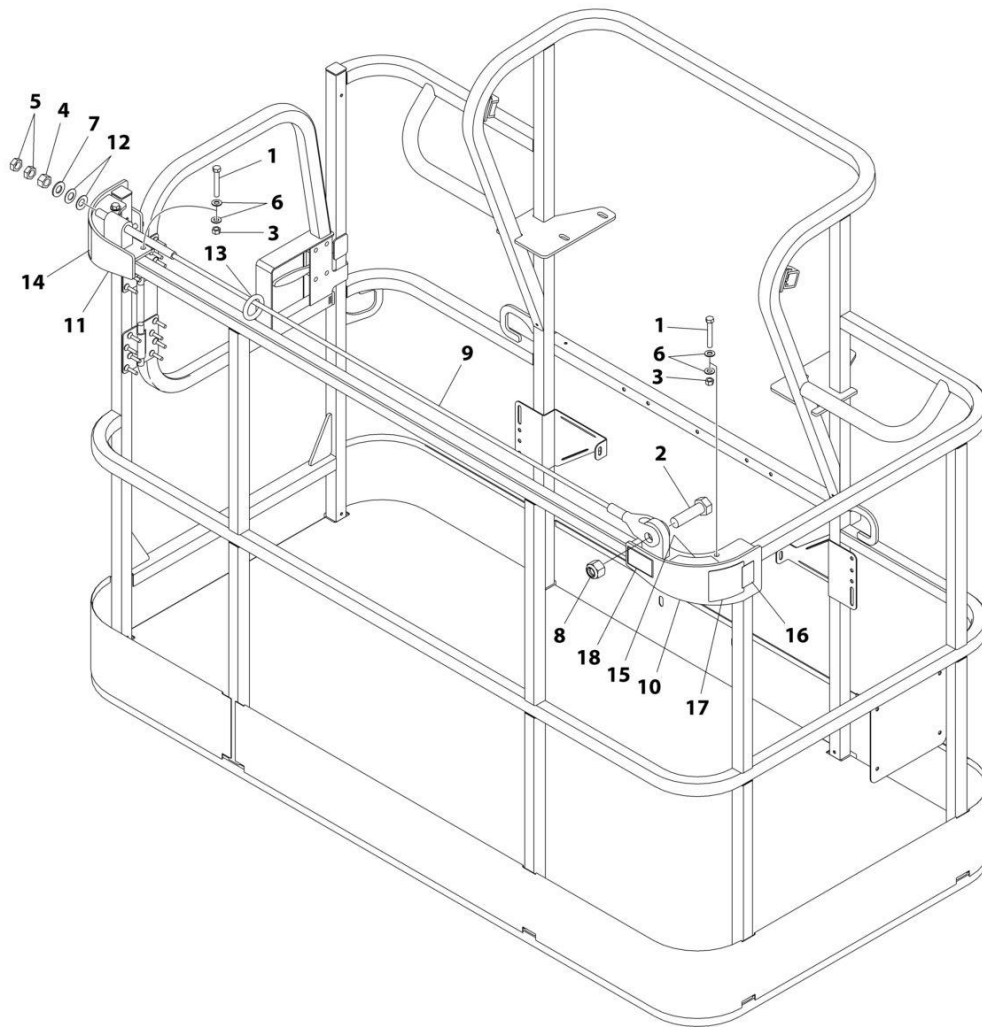
SECTION 5 - PLATFORM

FIGURE 5-46. FALL ARREST INSTALLATION (BOLT-ON) 30IN X 4FT (76CM X 1.22M) PLATFORM

| ITEM | PART NUMBER | QTY | DESCRIPTION | REV |
|------|-------------|-----|--|-----|
| | 1001261338 | Ref | FALL ARREST INSTALLATION | A |
| 1 | 0681620 | 6 | Bolt 3/8 x 2-1/2 | |
| 2 | 0682424 | 1 | Bolt 7/8 x 3 | |
| 3 | 3271605 | 6 | Nut 3/8 | |
| 4 | 3272001 | 1 | Nut 5/8 | |
| 5 | 3312002 | 2 | Nut 5/8 | |
| 6 | 4711600 | 12 | Washer 3/8 | |
| 7 | 4712000 | 1 | Washer 5/8 | |
| 8 | 88521214 | 1 | Nut 7/8 | |
| 9 | 1001236891 | 2 | Washer | |
| 10 | 1001236895 | 1 | Ring | |
| 11 | 1001238263 | 1 | Decal - Warning Falling Hazard | |
| 12 | 1001248140 | 1 | Decal - Bolt Fall Arrest Re-Cert | |
| 13 | 1001248141 | 1 | Decal - Incription | |
| 14 | See Note | NSS | Nameplate - Manufacturers Serial Number (Note: Not Available for Purchase) | |
| 15 | 1001252629 | 1 | Decal - Weight | |
| 16 | 1001257271 | 1 | Bracket (RH) | |
| 17 | 1001257274 | 1 | Bracket (LH) | |
| 18 | 1001261335 | 1 | Rope | |

SECTION 5 - PLATFORM

FIGURE 5-47. FALL ARREST INSTALLATION (BOLT-ON) 36IN X 6FT (91.2CM X 1.82M) PLATFORM



ART_1001236747

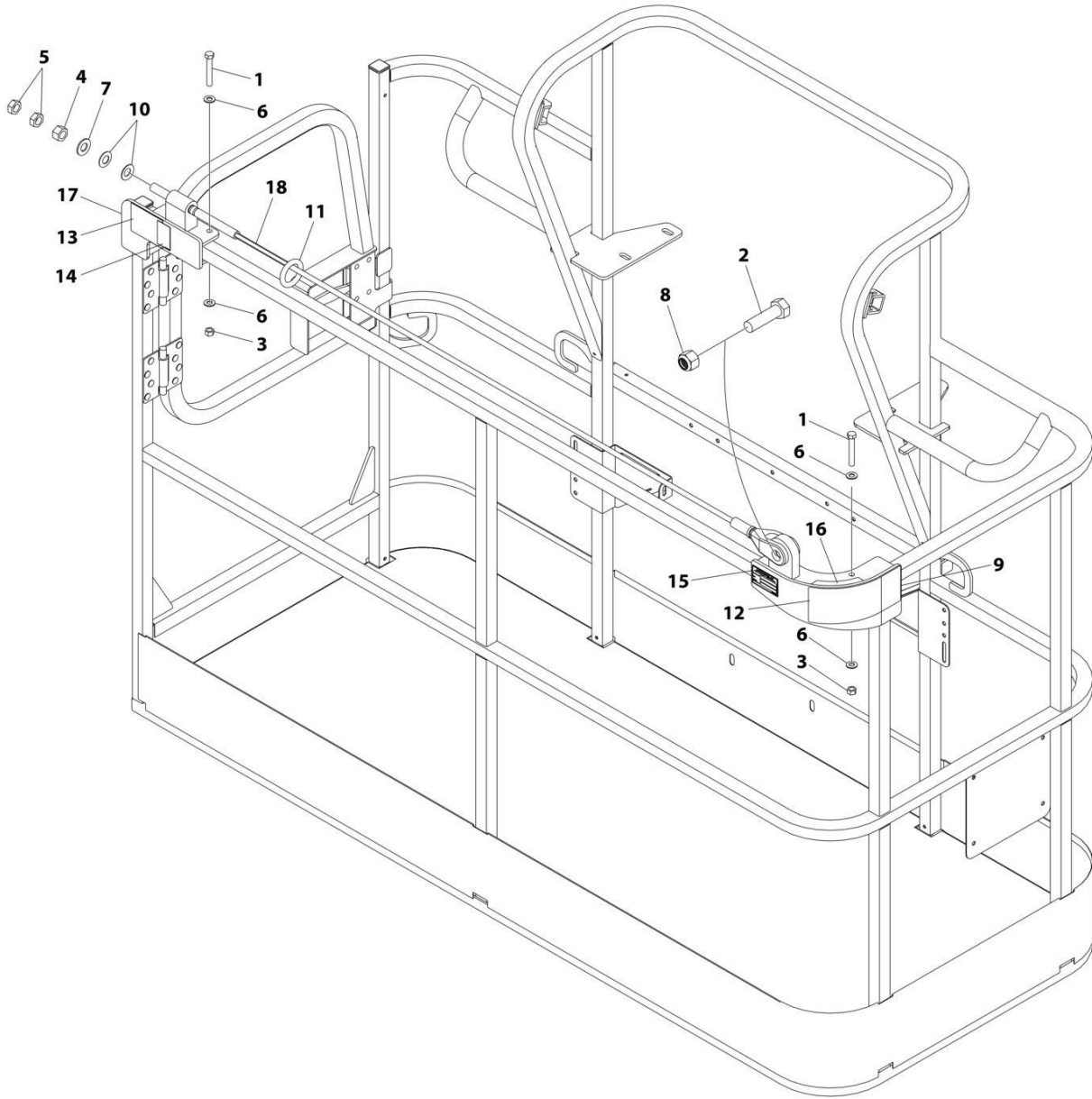
SECTION 5 - PLATFORM

FIGURE 5-47. FALL ARREST INSTALLATION (BOLT-ON) 36IN X 6FT (91.2CM X 1.82M) PLATFORM

| ITEM | PART NUMBER | QTY | DESCRIPTION | REV |
|------|-------------|-----|---|-----|
| | 1001236747 | Ref | FALL ARREST INSTALLATION (BOLT - ON) 6FT/1.82M PLATFORM | C |
| 1 | 0681620 | 6 | Bolt 3/8 x 2-1/2 | |
| 2 | 0682424 | 1 | Bolt 7/8 x 3 | |
| 3 | 3271605 | 6 | Nut 3/8 | |
| 4 | 3272001 | 1 | Nut 5/8 | |
| 5 | 3312002 | 2 | Nut 5/8 | |
| 6 | 4711600 | 12 | Washer 3/8 | |
| 7 | 4712000 | 1 | Washer 5/8 | |
| 8 | 88521214 | 1 | Nut 7/8 | |
| 9 | 1001231950 | 1 | Rope | |
| 10 | 1001232010 | 1 | Bracket (RH) | |
| 11 | 1001232011 | 1 | Bracket (LH) | |
| 12 | 1001236891 | 2 | Washer | |
| 13 | 1001236895 | 1 | Ring | |
| 14 | 1001238263 | 1 | Decal - Warning Falling Hazard | |
| 15 | 1001252629 | 1 | Decal - Weight | |
| 16 | 1001248140 | 1 | Decal - Bolt Fall Arrest Re-Cert | |
| 17 | 1001248141 | 1 | Decal - Inscription | |

SECTION 5 - PLATFORM

FIGURE 5-48. FALL ARREST INSTALLATION (BOLT-ON) 30IN X 6FT (76CM X 1.83M) PLATFORM



ART_1001261339

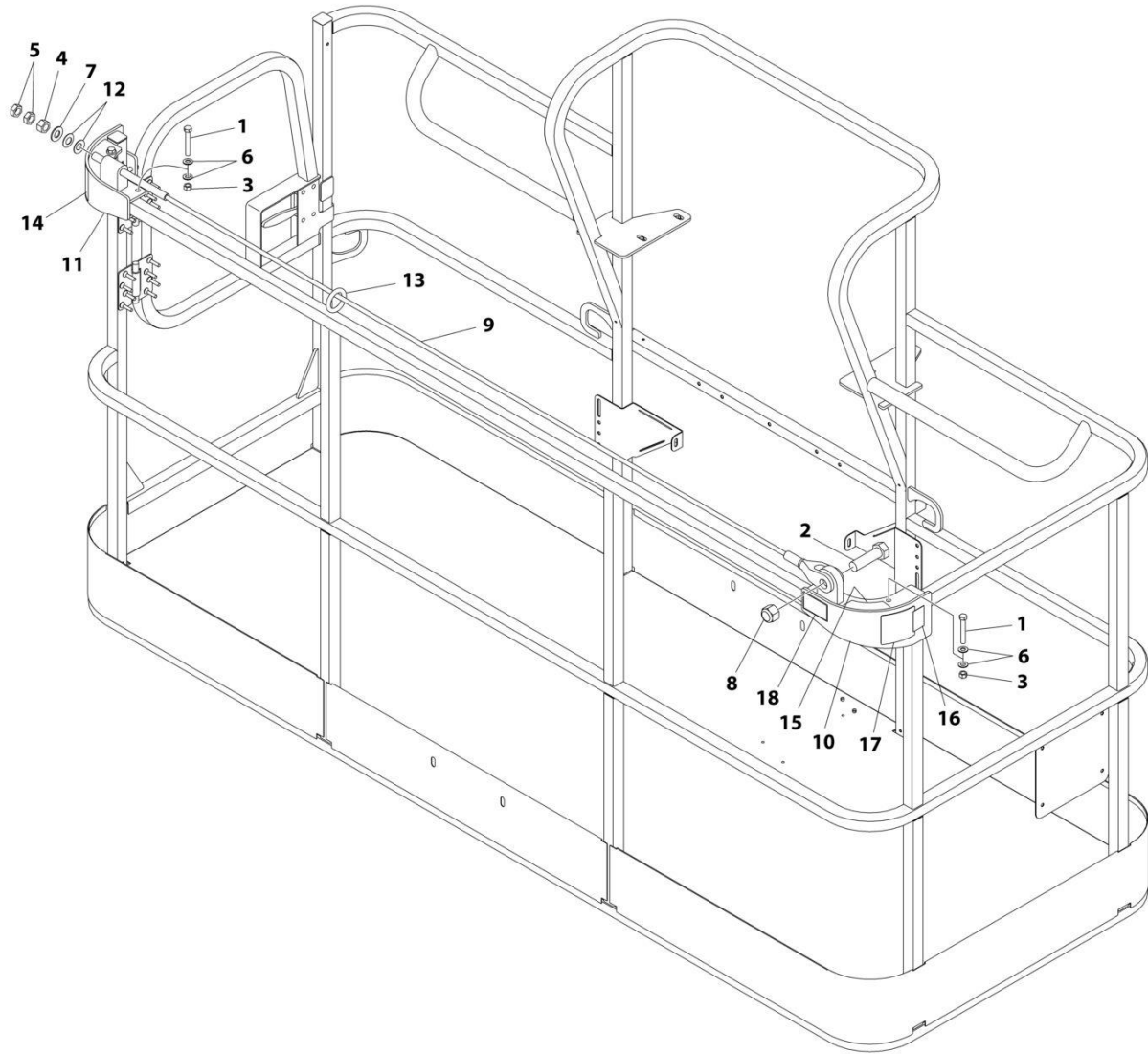
SECTION 5 - PLATFORM

FIGURE 5-48. FALL ARREST INSTALLATION (BOLT-ON) 30IN X 6FT (76CM X 1.83M) PLATFORM

| ITEM | PART NUMBER | QTY | DESCRIPTION | REV |
|------|-------------|-----|--|-----|
| | 1001261339 | Ref | FALL ARREST INSTALLATION (BOLT-ON) 30IN X 6FT (76CM X 1.83M) PLATFORM | A |
| 1 | 0681620 | 6 | Bolt 3/8 x 2-1/2 | |
| 2 | 0682424 | 1 | Bolt 7/8 x 3 | |
| 3 | 3271605 | 6 | Nut 3/8 | |
| 4 | 3272001 | 1 | Nut 5/8 | |
| 5 | 3312002 | 2 | Nut 5/8 | |
| 6 | 4711600 | 12 | Washer 3/8 | |
| 7 | 4712000 | 1 | Washer 5/8 | |
| 8 | 88521214 | 1 | Nut 7/8 | |
| 9 | 1001232010 | 1 | Bracket | |
| 10 | 1001236891 | 2 | Washer | |
| 11 | 1001236895 | 1 | Ring | |
| 12 | 1001238263 | 1 | Decal - Warning Falling Hazard | |
| 13 | 1001248140 | 1 | Decal - Bolt Fall Arrest Re-Cert | |
| 14 | 1001248141 | 1 | Decal - Incription | |
| 15 | See Note | NSS | Nameplate - Manufacturers Serial Number (Note: Not Available for Purchase) | |
| 16 | 1001252629 | 1 | Decal - Weight | |
| 17 | 1001257271 | 1 | Bracket | |
| 18 | 1001261336 | 1 | Rope | |

SECTION 5 - PLATFORM

FIGURE 5-49. FALL ARREST INSTALLATION (BOLT-ON) 36IN X 8FT (91.5CM X 2.4M) PLATFORM



ART_1001236746

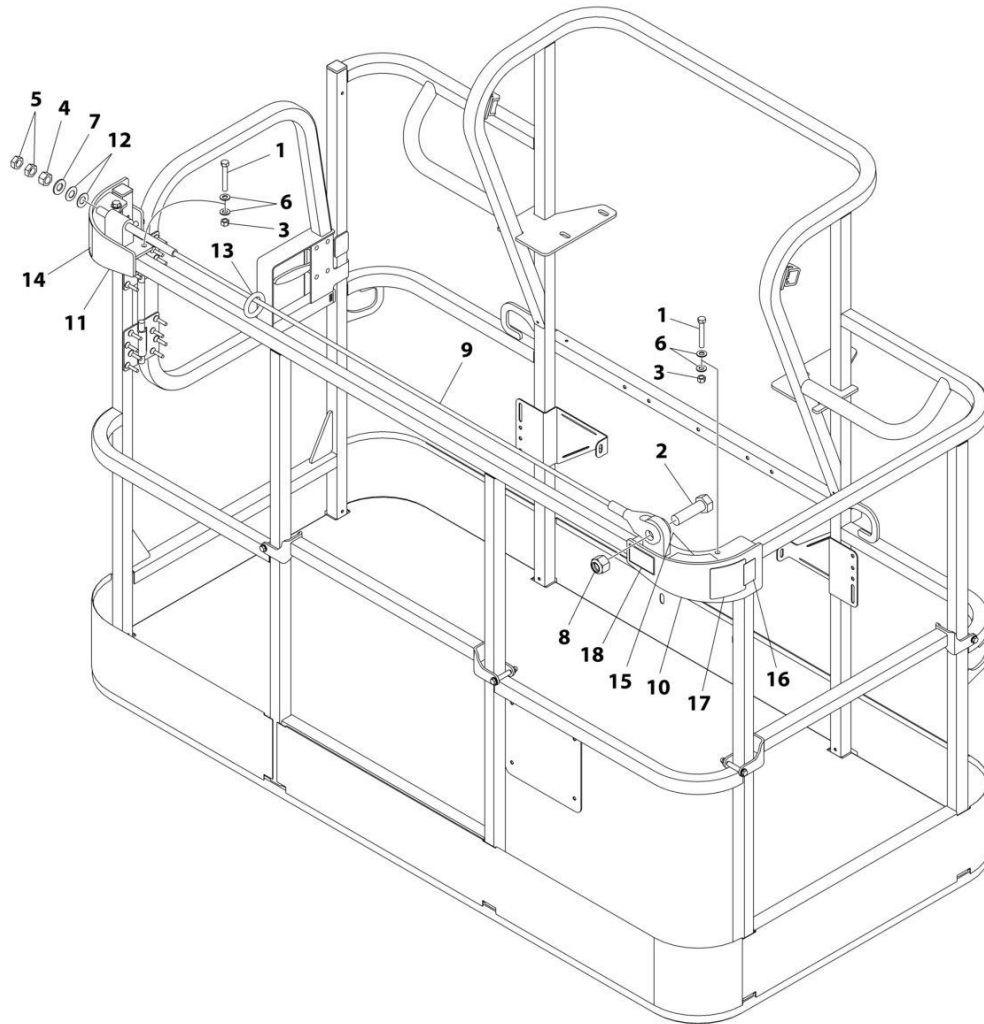
SECTION 5 - PLATFORM

FIGURE 5-49. FALL ARREST INSTALLATION (BOLT-ON) 36IN X 8FT (91.5CM X 2.4M) PLATFORM

| ITEM | PART NUMBER | QTY | DESCRIPTION | REV |
|------|-------------|-----|--|-----|
| | 1001236746 | Ref | FALL ARREST INSTALLATION (BOLT - ON) 8FT/2.4M PLATFORM | C |
| 1 | 0681620 | 6 | Bolt 3/8 x 2-1/2 | |
| 2 | 0682424 | 1 | Bolt 7/8 x 3 | |
| 3 | 3271605 | 6 | Nut 3/8 | |
| 4 | 3272001 | 1 | Nut 5/8 | |
| 5 | 3312002 | 2 | Nut 5/8 | |
| 6 | 4711600 | 12 | Washer 3/8 | |
| 7 | 4712000 | 1 | Washer 5/8 | |
| 8 | 88521214 | 1 | Nut 7/8 | |
| 9 | 1001231949 | 1 | Rope | |
| 10 | 1001232010 | 1 | Bracket (RH) | |
| 11 | 1001232011 | 1 | Bracket (LH) | |
| 12 | 1001236891 | 2 | Washer | |
| 13 | 1001236895 | 1 | Ring | |
| 14 | 1001238263 | 1 | Decal - Warning Falling Hazard | |
| 15 | 1001252629 | 1 | Decal - Weight 23LBS/10.4KG | |
| 16 | 1001248140 | 1 | Decal - Bolt Fall Arrest Re-Cert | |
| 17 | 1001248141 | 1 | Decal - Inscription | |

SECTION 5 - PLATFORM

FIGURE 5-50. FALL ARREST INSTALLATION (BOLT-ON) 36IN X 6FT (91.5CM X 1.82M) TRI-ENTRY PLATFORM)



ART_1001238463

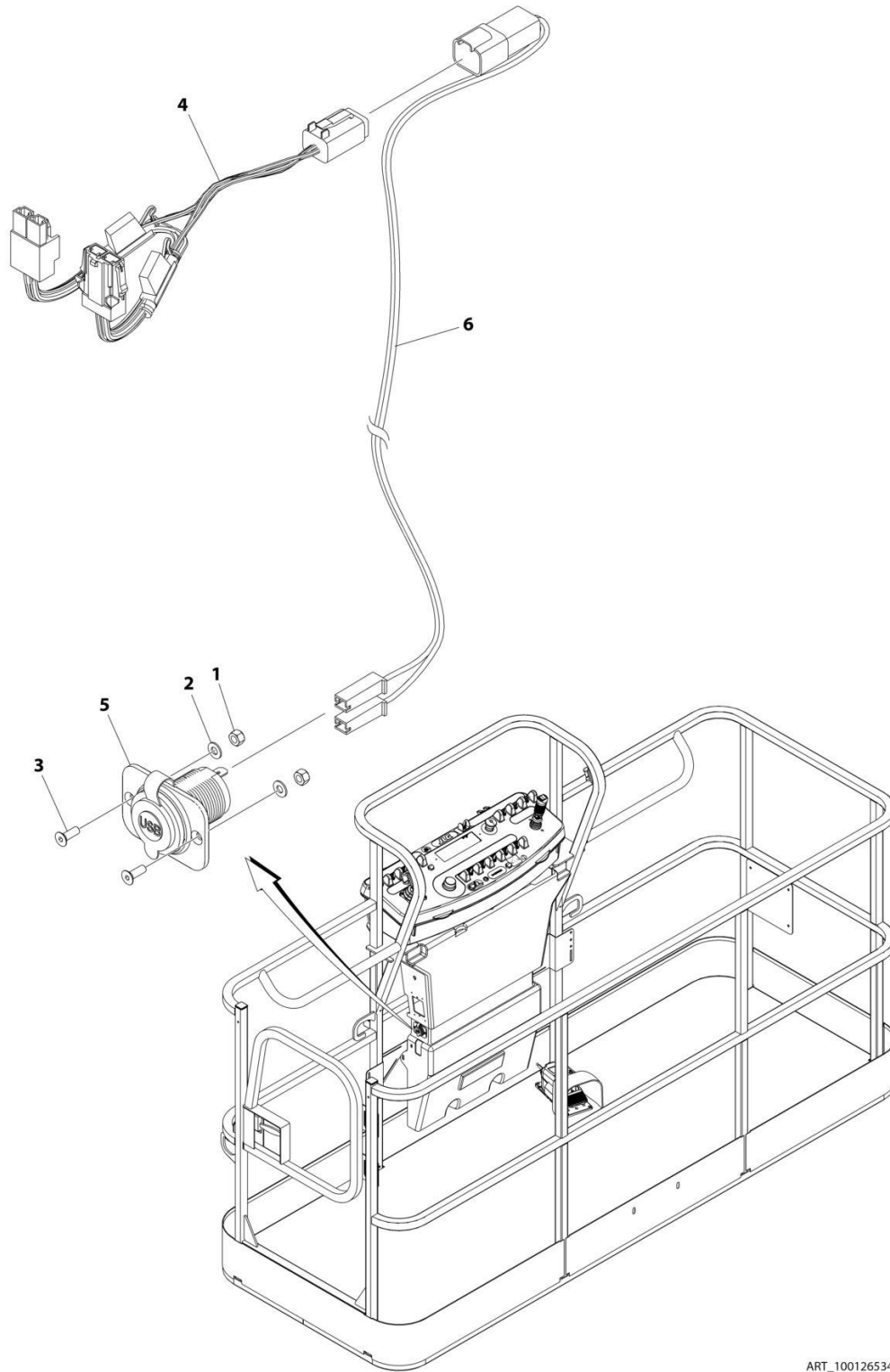
SECTION 5 - PLATFORM

FIGURE 5-50. FALL ARREST INSTALLATION (BOLT-ON) 36IN X 6FT (91.5CM X 1.82M) TRI-ENTRY PLATFORM)

| ITEM | PART NUMBER | QTY | DESCRIPTION | REV |
|------|-------------|-----|---|-----|
| | 1001238463 | Ref | FALL ARREST INSTALLATION (BOLT - ON) 6FT/1.82M PLATFORM | C |
| 1 | 0681620 | 6 | Bolt 3/8 x 2-1/2 | |
| 2 | 0682424 | 1 | Bolt 7/8 x 3 | |
| 3 | 3271605 | 6 | Nut 3/8 | |
| 4 | 3272001 | 1 | Nut 5/8 | |
| 5 | 3312002 | 2 | Nut 5/8 | |
| 6 | 4711600 | 12 | Washer 3/8 | |
| 7 | 4712000 | 1 | Washer 5/8 | |
| 8 | 88521214 | 1 | Nut 7/8 | |
| 9 | 1001231950 | 1 | Rope | |
| 10 | 1001232010 | 1 | Bracket (RH) | |
| 11 | 1001232011 | 1 | Bracket (LH) | |
| 12 | 1001236891 | 2 | Washer | |
| 13 | 1001236895 | 1 | Ring | |
| 14 | 1001238263 | 1 | Decal - Warning Falling Hazard | |
| 15 | 1001252629 | 1 | Decal - Weight | |
| 16 | 1001248140 | 1 | Decal - Bolt Fall Arrest Re-Cert | |
| 17 | 1001248141 | 1 | Decal - Inscription | |

SECTION 5 - PLATFORM

FIGURE 5-51. USB CHARGER INSTALLATION



ART_1001265342

SECTION 5 - PLATFORM

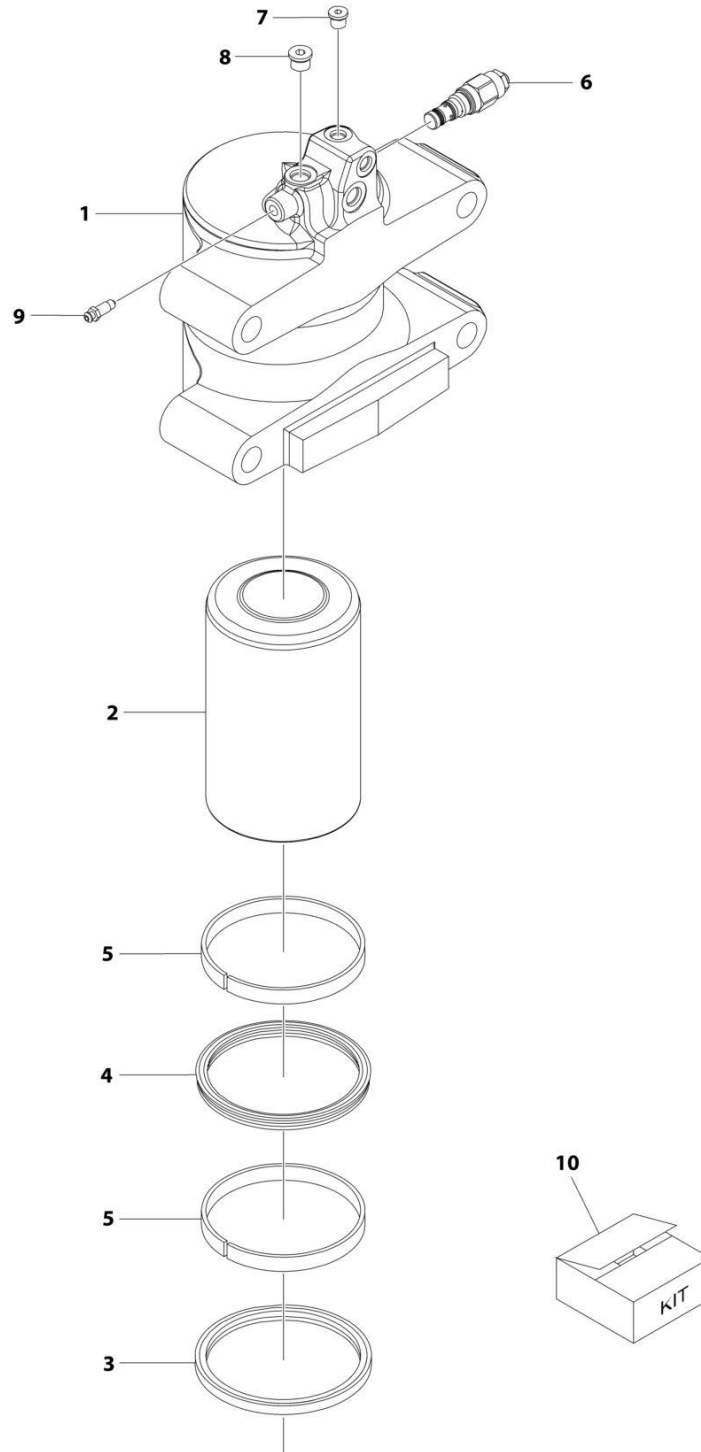
FIGURE 5-51. USB CHARGER INSTALLATION

| ITEM | PART NUMBER | QTY | DESCRIPTION | REV |
|------|-------------|-----|----------------------------------|-----|
| | 1001265342 | Ref | USB CHARGER INSTALLATION | A |
| 1 | 3290405 | 2 | Nut M4 | |
| 2 | 4811400 | 2 | Washer M4 | |
| 3 | 1001097244 | 2 | Screw M4 x 12 | |
| 4 | 1001120484 | 1 | Harness, Work Lights | |
| 4 | 4460879 | 1 | Plug, Male - 2 Position | |
| 4 | 4460887 | 2 | Terminal | |
| 4 | 2400060 | 2 | Fuseholder Includes Cover | |
| 4 | 8229249 | 2 | Fuse, 3 Amp | |
| 4 | 4460884 | 1 | Connector - 4 Position | |
| 4 | 4460465 | 4 | Socket, Female | |
| 4 | 1001120471 | 1 | Connector - 2 Position | |
| 4 | 1001120477 | 2 | Terminal | |
| 5 | 1001210636 | 1 | Receptacle, USB | |
| 6 | 1001265163 | 1 | Harness, USB | A |
| 6 | 4460260 | 2 | Cover, Terminal | |
| 6 | 4460259 | 2 | Terminal | |
| 6 | 4460932 | 1 | Receptacle, Bussbar - 4 Position | |
| 6 | 4460464 | 2 | Pin, Male | |
| 6 | 4460466 | 2 | Plug, Terminal | |

SECTION 6 - CYLINDER

SECTION 6 - CYLINDER

FIGURE 6-1. AXLE LOCKOUT CYLINDER ASSEMBLY



ART_1001204560

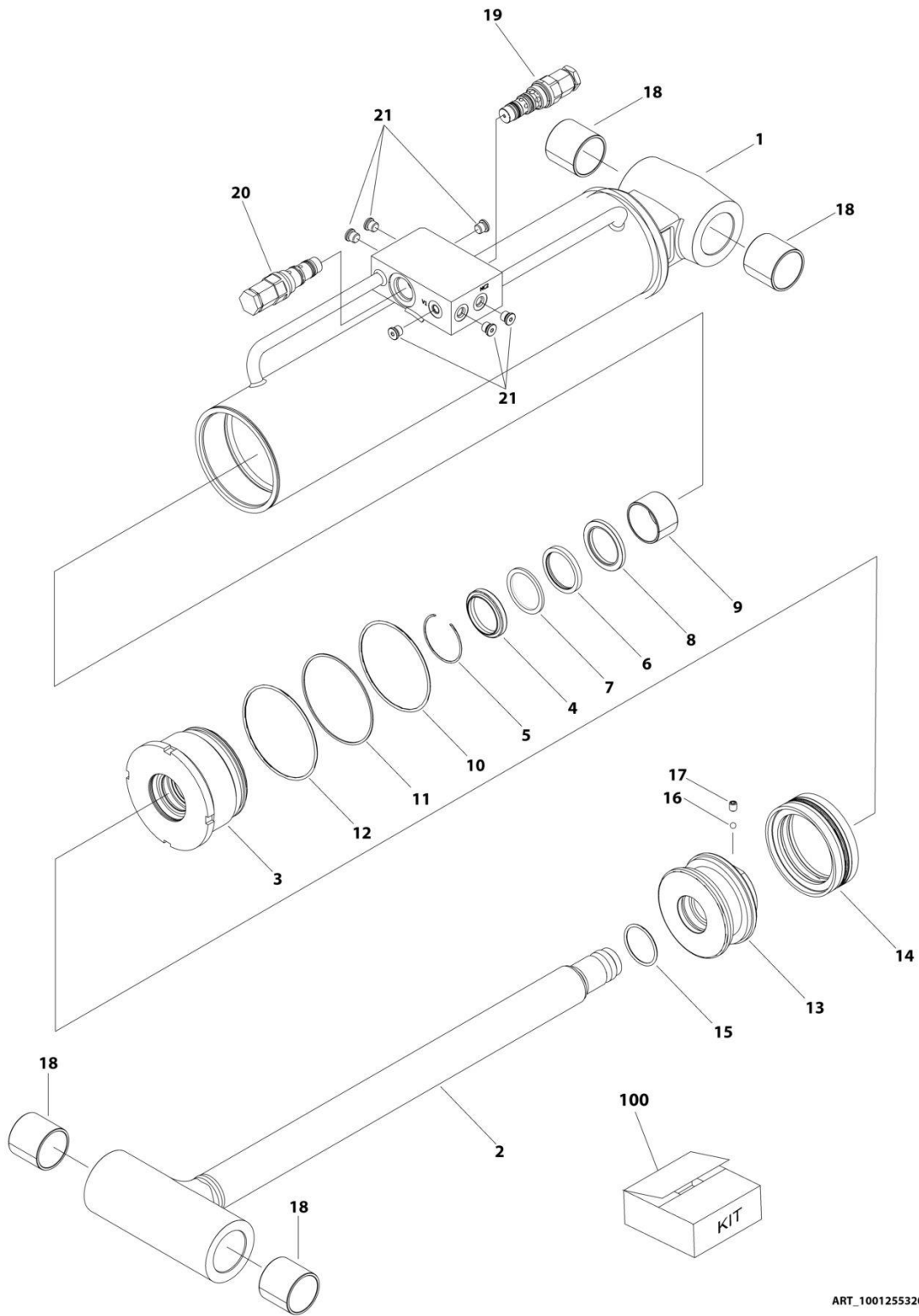
SECTION 6 - CYLINDER

FIGURE 6-1. AXLE LOCKOUT CYLINDER ASSEMBLY

| ITEM | PART NUMBER | QTY | DESCRIPTION | REV |
|------|-------------|-----|--|-----|
| | 1001204560 | Ref | AXLE LOCKOUT CYLINDER ASSEMBLY | D |
| 1 | 1001154126 | 1 | Barrel | |
| 2 | 1001154687 | 1 | Rod | |
| 3 | See Note | NSS | Wiper (Note: Use Item 10) | |
| 4 | See Note | NSS | Seal, Rod (Note: Use Item 10) | |
| 5 | See Note | NSS | Ring, Wear (Note: Use Item 10) | |
| 6 | 1001117372 | 1 | Cartridge, Valve (Counterbalance) | |
| 6 | 70002842 | 1 | Seal Kit - 1001117372 Valve (1 Per Assembly) | |
| 7 | 2220883 | 1 | Plug, O-Ring | |
| 8 | 2220885 | 1 | Plug, O-Ring | |
| 9 | 4640858 | 1 | Valve, Bleeder | |
| 10 | 1001098167 | 1 | Seal Kit (Includes Items 3-5) | |

SECTION 6 - CYLINDER

FIGURE 6-2. LEVEL CYLINDER ASSEMBLY - PLATFORM SLAVE



ART_1001255320

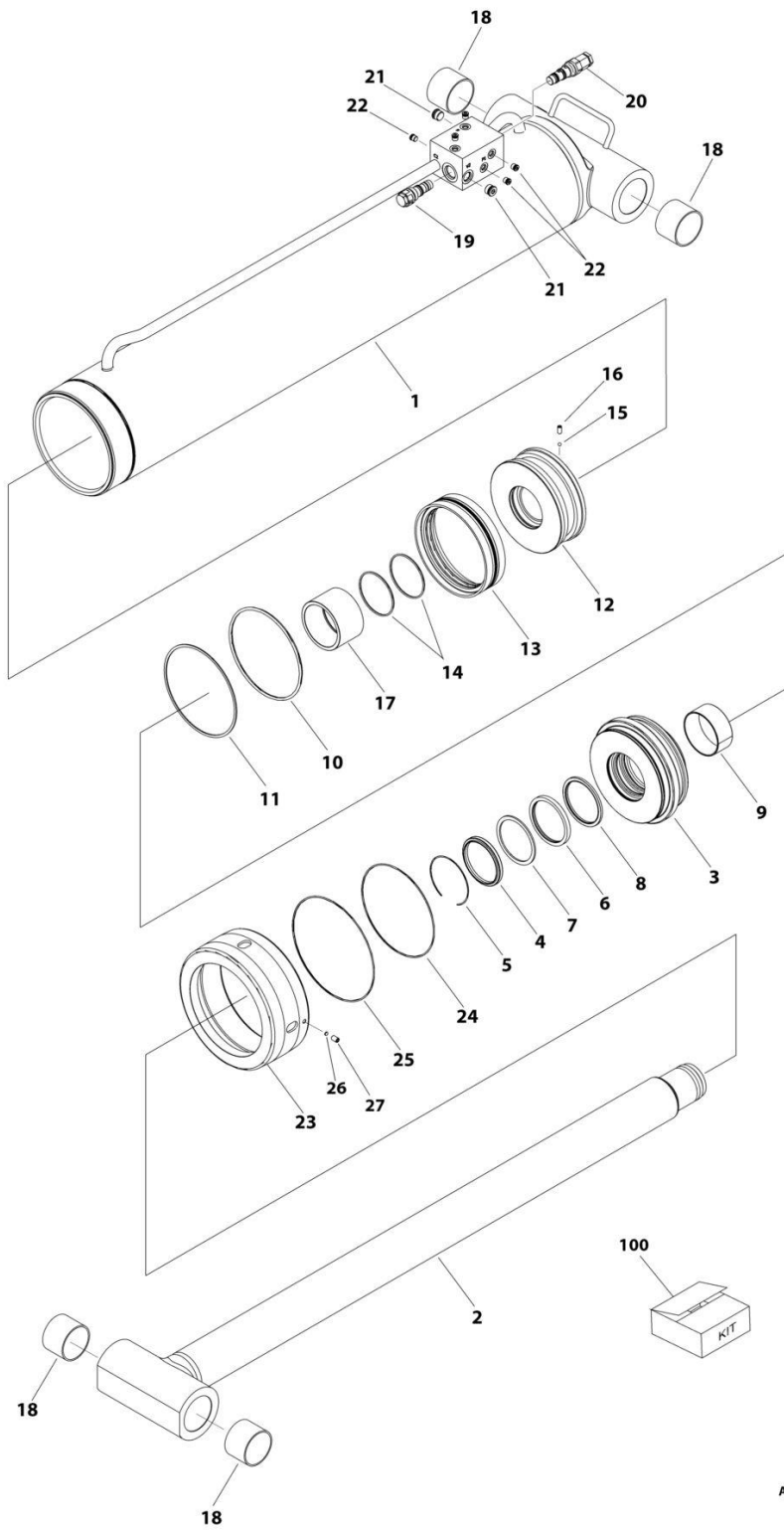
SECTION 6 - CYLINDER

FIGURE 6-2. LEVEL CYLINDER ASSEMBLY - PLATFORM SLAVE

| ITEM | PART NUMBER | QTY | DESCRIPTION | REV |
|------|-------------|-----|---|-----|
| | 1001255320 | Ref | LEVEL (SLAVE) CYLINDER ASSEMBLY | C |
| | | Ref | Note: Original Cylinder may have been replaced with Service Replacement. Identify PN Stamped on Cylinder Before Ordering Parts. | |
| 1 | See Note | NSS | Barrel (Note: Not Available for Purchase) | |
| 2 | 70007523 | 1 | Rod | |
| 3 | 70007157 | 1 | Head | |
| 4 | See Note | NSS | Wiper (Note: Use Item 100) | |
| 5 | 70002410 | 1 | Ring, Retaining | |
| 6 | See Note | NSS | Seal (Note: Use Item 100) | |
| 7 | See Note | NSS | Ring, Back-up (Note: Use Item 100) | |
| 8 | See Note | NSS | Ring, Buffer (Note: Use Item 100) | |
| 9 | 70004237 | 1 | Ring, Wear | |
| 10 | See Note | NSS | O-Ring (Note: Use Item 100) | |
| 11 | See Note | NSS | Ring, Back-up (Note: Use Item 100) | |
| 12 | See Note | NSS | O-Ring (Note: Use Item 100) | |
| 13 | 70007161 | 1 | Piston | |
| 14 | See Note | NSS | Seal (Note: Use Item 100) | |
| 15 | See Note | NSS | O-Ring (Note: Use Item 100) | |
| 16 | 70022564 | 1 | Steel Ball | |
| 17 | 70023369 | 1 | Screw, Set | |
| 18 | 70007159 | 4 | Bushing | |
| 19 | 4640605 | 1 | Valve, Cartridge | |
| 19 | 2900792 | 1 | Seal Kit - 4640605 Valve | |
| 20 | 4640932 | 1 | Valve, Cartridge | |
| 20 | 7011112 | 1 | Seal Kit - 4640932 Valve | |
| 21 | 2220883 | 6 | Plug, O-Ring | |
| 100 | 70007524 | 1 | Seal Kit (Includes Items 4, 6-8, 10-12, 14 & 15) | |

SECTION 6 - CYLINDER

FIGURE 6-3. LEVEL CYLINDER ASSEMBLY - UPRIGHT



ART_1001251041

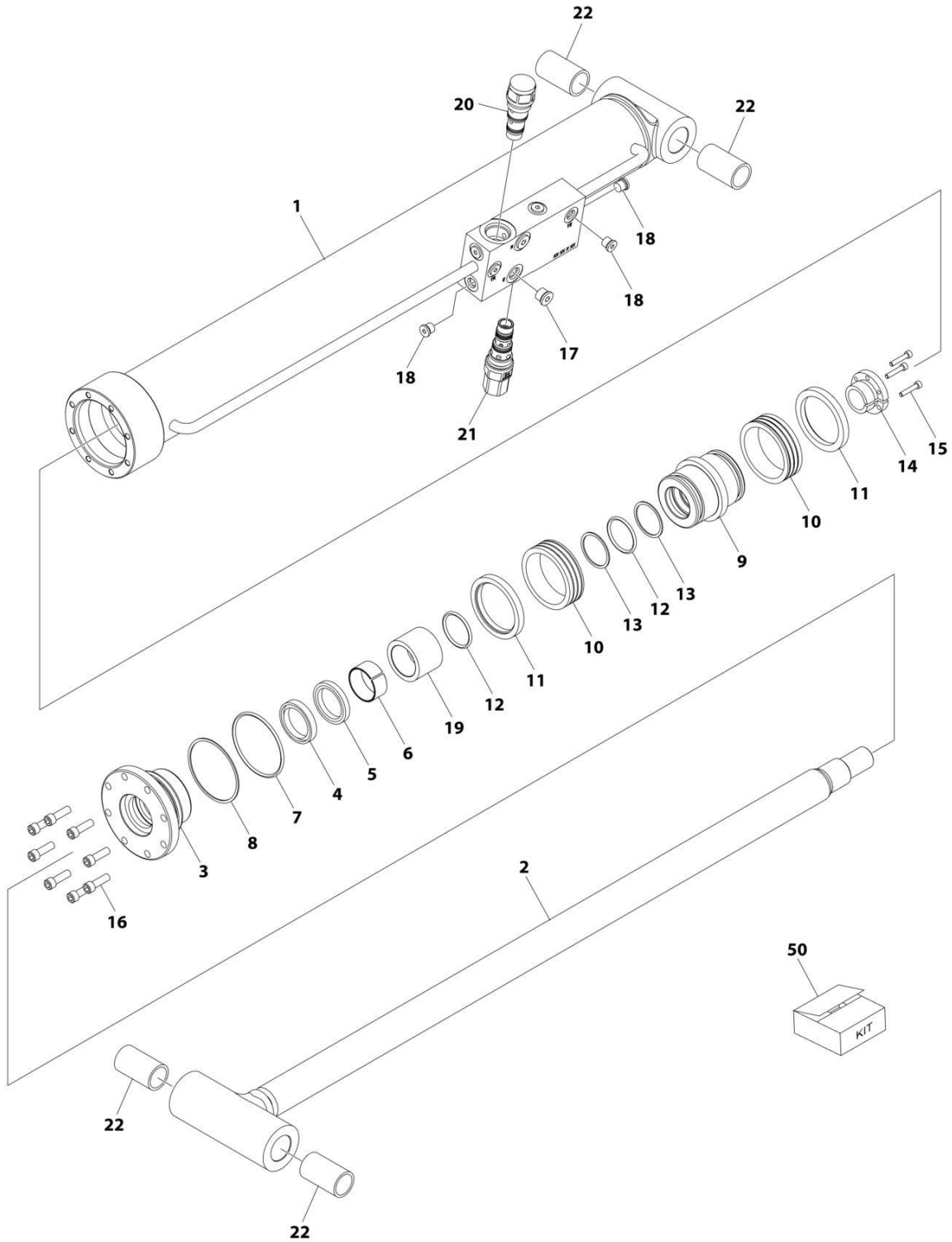
SECTION 6 - CYLINDER

FIGURE 6-3. LEVEL CYLINDER ASSEMBLY - UPRIGHT

| ITEM | PART NUMBER | QTY | DESCRIPTION | REV |
|------|-------------|-----|---|-----|
| | 1001251041 | Ref | LIFT CYLINDER ASSEMBLY | C |
| | | Ref | Note: Original Cylinder may have been replaced with Service Replacement. Identify PN Stamped on Cylinder Before Ordering Parts. | |
| 1 | See Note | NSS | Barrel (Note: Not Available for Purchase) | |
| 2 | 70007427 | 1 | Rod | |
| 3 | 70007422 | 1 | Head | |
| 4 | See Note | NSS | Wiper (Note: Use Item 100) | |
| 5 | 70023380 | 1 | Ring, Retaining | |
| 6 | See Note | NSS | Seal (Note: Use Item 100) | |
| 7 | See Note | NSS | Ring, Back-up (Note: Use Item 100) | |
| 8 | See Note | NSS | Ring, Buffer (Note: Use Item 100) | |
| 9 | 70007423 | 1 | Ring, Wear | |
| 10 | See Note | NSS | O-Ring (Note: Use Item 100) | |
| 11 | See Note | NSS | Ring, Back-up (Note: Use Item 100) | |
| 12 | 70007428 | 1 | Piston | |
| 13 | See Note | NSS | Seal (Note: Use Item 100) | |
| 14 | See Note | NSS | O-Ring (Note: Use Item 100) | |
| 15 | 70022564 | 1 | Steel Ball | |
| 16 | 70007246 | 1 | Screw, Set | |
| 17 | 70007429 | 1 | Spacer | |
| 18 | 0962102 | 4 | Bushing | |
| 19 | 4640509 | 1 | Cartridge, Valve | |
| 19 | 2900792 | 1 | Seal Kit - 4640509 Valve | |
| 20 | 4640605 | 1 | Cartridge, Valve | |
| 20 | 2900792 | 1 | Seal Kit - 4640605 Valve | |
| 21 | 2220886 | 2 | Plug, O-Ring | |
| 22 | 2220883 | 5 | Plug, O-Ring | |
| 23 | 70007278 | 1 | Cap | |
| 24 | See Note | 1 | O-Ring (Note: Use Item 100) | |
| 25 | See Note | NSS | O-Ring (Note: Use Item 100) | |
| 26 | 70007282 | 1 | Insert, Locking | |
| 27 | 70026287 | 1 | Screw, Set | |
| 100 | 70007430 | 1 | Seal Kit (Includes Items 4, 6-8, 10, 11, 13, 14, 24 & 25) | |

SECTION 6 - CYLINDER

FIGURE 6-4. LIFT CYLINDER ASSEMBLY - JIB (Prior to SN 0300279215)



ART_1001264302

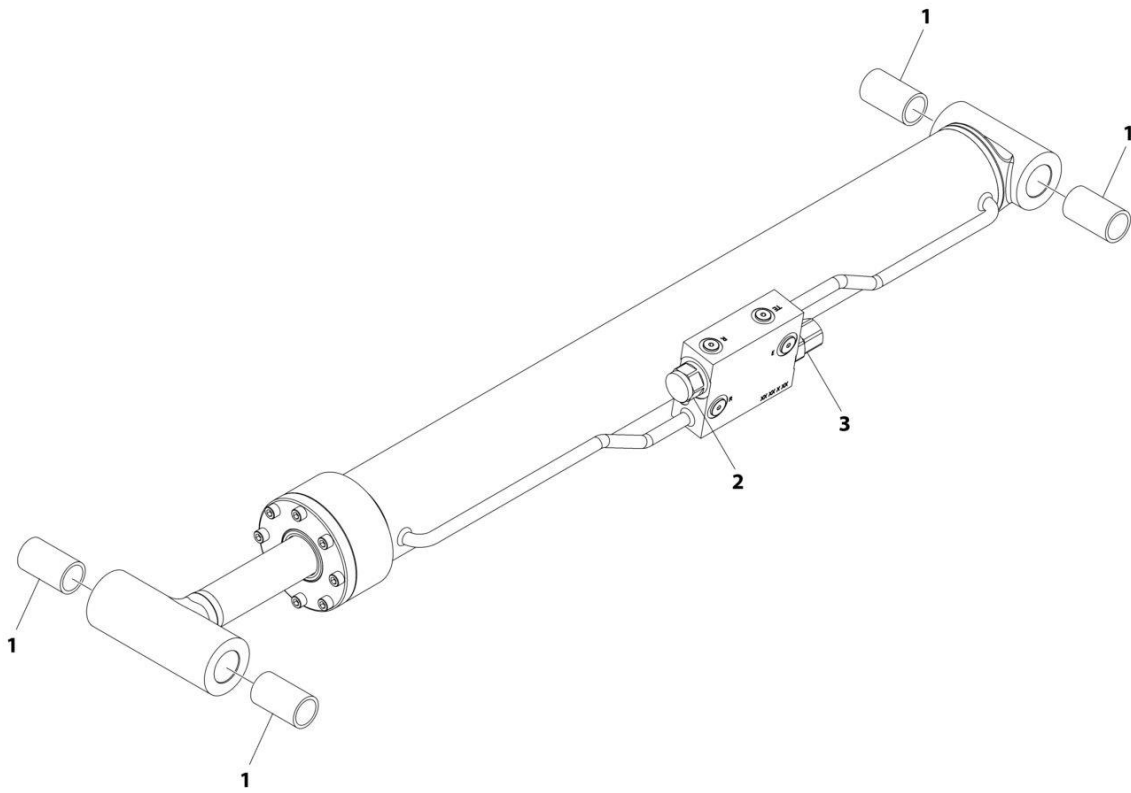
SECTION 6 - CYLINDER

FIGURE 6-4. LIFT CYLINDER ASSEMBLY - JIB (Prior to SN 0300279215)

| ITEM | PART NUMBER | QTY | DESCRIPTION | REV |
|------|-------------|-----|---|-----|
| | 1001264302 | Ref | LIFT CYLINDER ASSEMBLY - JIB | B |
| | | Ref | Note: Original Cylinder May Have Been Replaced with Service Replacement. Identify PN Stamped on Cylinder Before Ordering Parts. | |
| 1 | See Note | NSS | Barrel | |
| 2 | 70006734 | 1 | Rod | |
| 3 | 70006649 | 1 | Head | |
| 4 | See Note | NSS | Wiper (Note: Use Item 50) | |
| 5 | See Note | NSS | Seal, Rod (Note: Use Item 50) | |
| 6 | See Note | NSS | Ring, Wear (Note: Use Item 50) | |
| 7 | See Note | NSS | O-Ring (Note: Use Item 50) | |
| 8 | See Note | NSS | Ring, Back-up (Note: Use Item 50) | |
| 9 | 70006650 | 1 | Piston | |
| 10 | See Note | NSS | Seal (Note: Use Item 50) | |
| 11 | See Note | NSS | Ring, Lock (Note: Use Item 50) | |
| 12 | See Note | NSS | O-Ring (Note: Use Item 50) | |
| 13 | See Note | NSS | Ring, Back-up (Note: Use Item 50) | |
| 14 | 0961893 | 1 | Bushing, Tapered | |
| 15 | 0630534 | 3 | Capscrew | |
| 16 | 70006735 | 8 | Capscrew | |
| 17 | 2220885 | 2 | Plug | |
| 18 | 2220883 | 6 | Plug | |
| 19 | 70006736 | 1 | Spacer | |
| 20 | 4640509 | 1 | Cartridge, Counterbalance Valve | |
| 20 | 2900792 | 1 | Seal Kit - 4640509 Valve | |
| 21 | 1001263800 | 1 | Cartridge, Counterbalance Valve | |
| 21 | 70004186 | 1 | Seal Kit - 1001263800 Valve | |
| 22 | 0962336 | 4 | Bushing | |
| 50 | 1001138795 | 1 | Seal Kit (Includes Items 4-8 & 10-13) | |

SECTION 6 - CYLINDER

FIGURE 6-5. LIFT CYLINDER ASSEMBLY - JIB (SN 0300279215 to Present)



ART_1001264991

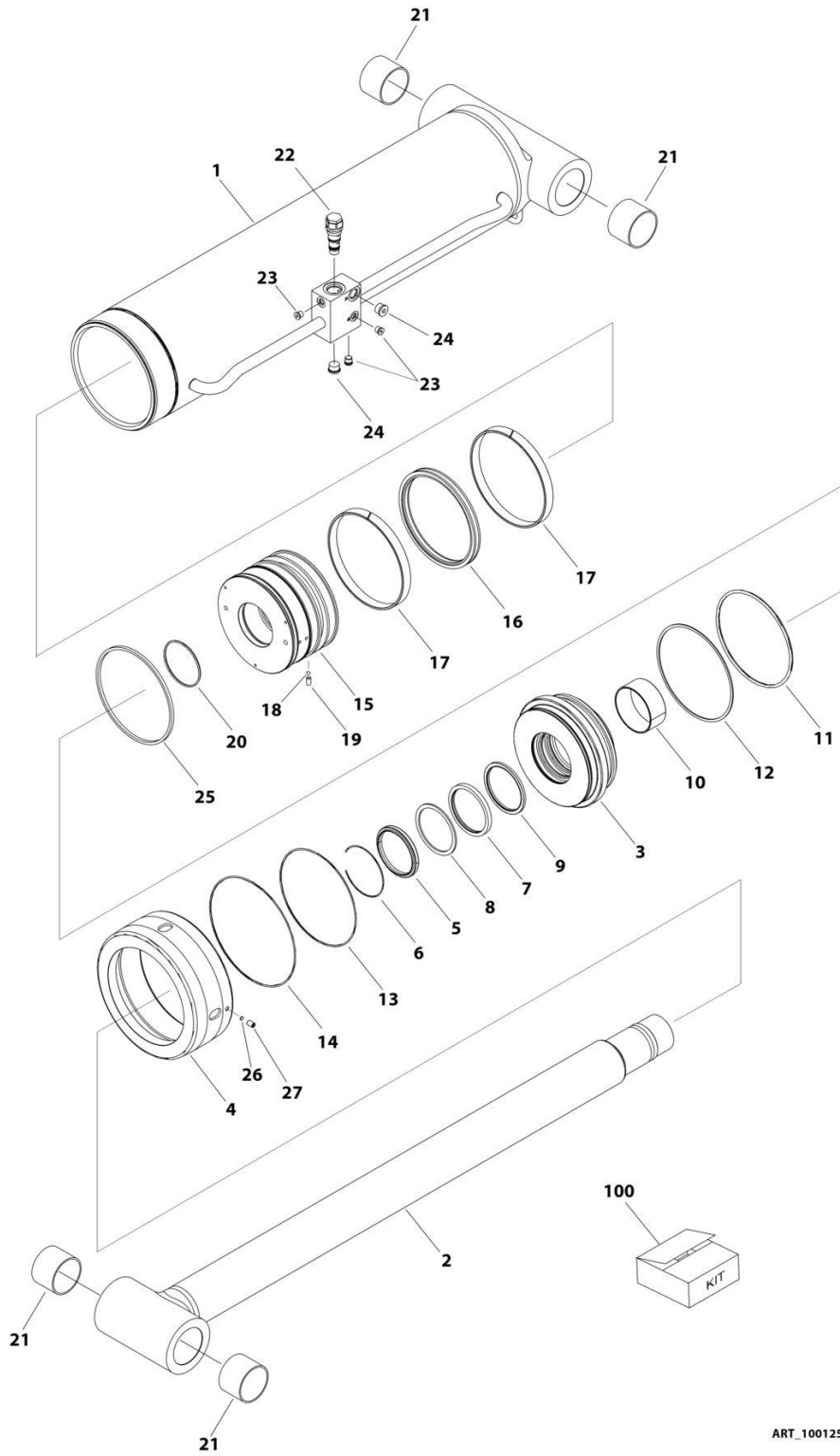
SECTION 6 - CYLINDER

FIGURE 6-5. LIFT CYLINDER ASSEMBLY - JIB (SN 0300279215 to Present)

| ITEM | PART NUMBER | QTY | DESCRIPTION | REV |
|------|-------------|-----|---|-----|
| | 1001264991 | Ref | LIFT CYLINDER ASSEMBLY - JIB | B |
| | | Ref | Note: Original Cylinder May Have Been Replaced with Service Replacement. Identify PN Stamped on Cylinder Before Ordering Parts. | |
| | | Ref | Note: No Other Service Parts Available at Time of Printing | |
| 1 | 0962336 | 4 | Bushing, Garmax | |
| 2 | 4640509 | 1 | Cartridge, Valve | |
| 2 | 2900792 | 1 | Seal Kit - 4640509 Valve | |
| 3 | 1001263800 | 1 | Cartridge, Valve | |
| 3 | 70004186 | 1 | Seal Kit - 1001263800 Valve | |

SECTION 6 - CYLINDER

FIGURE 6-6. LIFT CYLINDER ASSEMBLY - MAIN BOOM



ART_1001251010

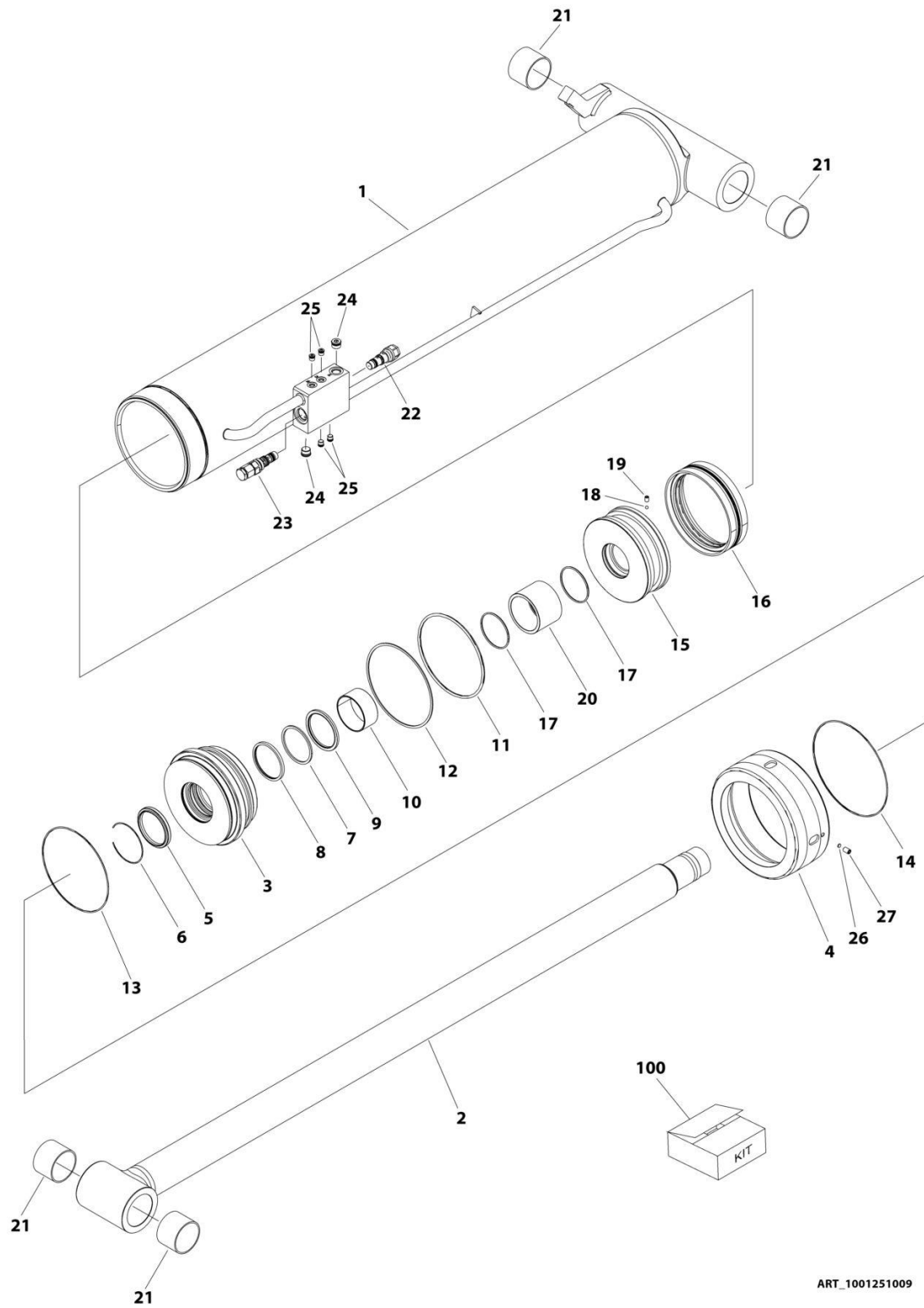
SECTION 6 - CYLINDER

FIGURE 6-6. LIFT CYLINDER ASSEMBLY - MAIN BOOM

| ITEM | PART NUMBER | QTY | DESCRIPTION | REV |
|------|-------------|-----|---|-----|
| | 1001251010 | Ref | LIFT CYLINDER ASSEMBLY | C |
| | | Ref | Note: Original Cylinder may have been replaced with Service Replacement. Identify PN Stamped on Cylinder Before Ordering Parts. | |
| 1 | See Note | NSS | Barrel (Note: Not Available for Purchase) | |
| 2 | 70007421 | 1 | Rod | |
| 3 | 70007422 | 1 | Head | |
| 4 | 70007278 | 1 | Cap | |
| 5 | See Note | NSS | Wiper (Note: Use Item 100) | |
| 6 | 70023380 | 1 | Ring, Retaining | |
| 7 | See Note | NSS | Seal (Note: Use Item 100) | |
| 8 | See Note | NSS | Ring, Back-up (Note: Use Item 100) | |
| 9 | See Note | NSS | Ring, Buffer (Note: Use Item 100) | |
| 10 | 70007423 | 1 | Ring, Wear | |
| 11 | See Note | NSS | O-Ring (Note: Use Item 100) | |
| 12 | See Note | NSS | Ring, Back-up (Note: Use Item 100) | |
| 13 | See Note | NSS | O-Ring (Note: Use Item 100) | |
| 14 | See Note | NSS | O-Ring (Note: Use Item 100) | |
| 15 | 70007424 | 1 | Piston | |
| 16 | See Note | NSS | Seal (Note: Use Item 100) | |
| 17 | See Note | NSS | Ring, Wear (Note: Use Item 100) | |
| 18 | 70022564 | 1 | Steel Ball | |
| 19 | 70007246 | 1 | Screw, Set | |
| 20 | See Note | 1 | O-Ring (Note: Use Item 100) | |
| 21 | 0962102 | 4 | Bushing | |
| 22 | 4640509 | 1 | Cartridge, Valve | |
| 22 | 2900792 | 1 | Seal Kit - 4640509 Valve | |
| 23 | 2220883 | 3 | Plug, O-Ring | |
| 24 | 2220886 | 2 | Plug, O-Ring | |
| 25 | 70007425 | 1 | Ring, Piston | |
| 26 | 70007282 | 1 | Insert, Locking | |
| 27 | 70026287 | 1 | Screw, Set | |
| 100 | 70007426 | 1 | Seal Kit (Includes Items 5, 7-9, 11-14, 16, 17 & 20) | |

SECTION 6 - CYLINDER

FIGURE 6-7. LIFT CYLINDER ASSEMBLY - TOWER BOOM



ART_1001251009

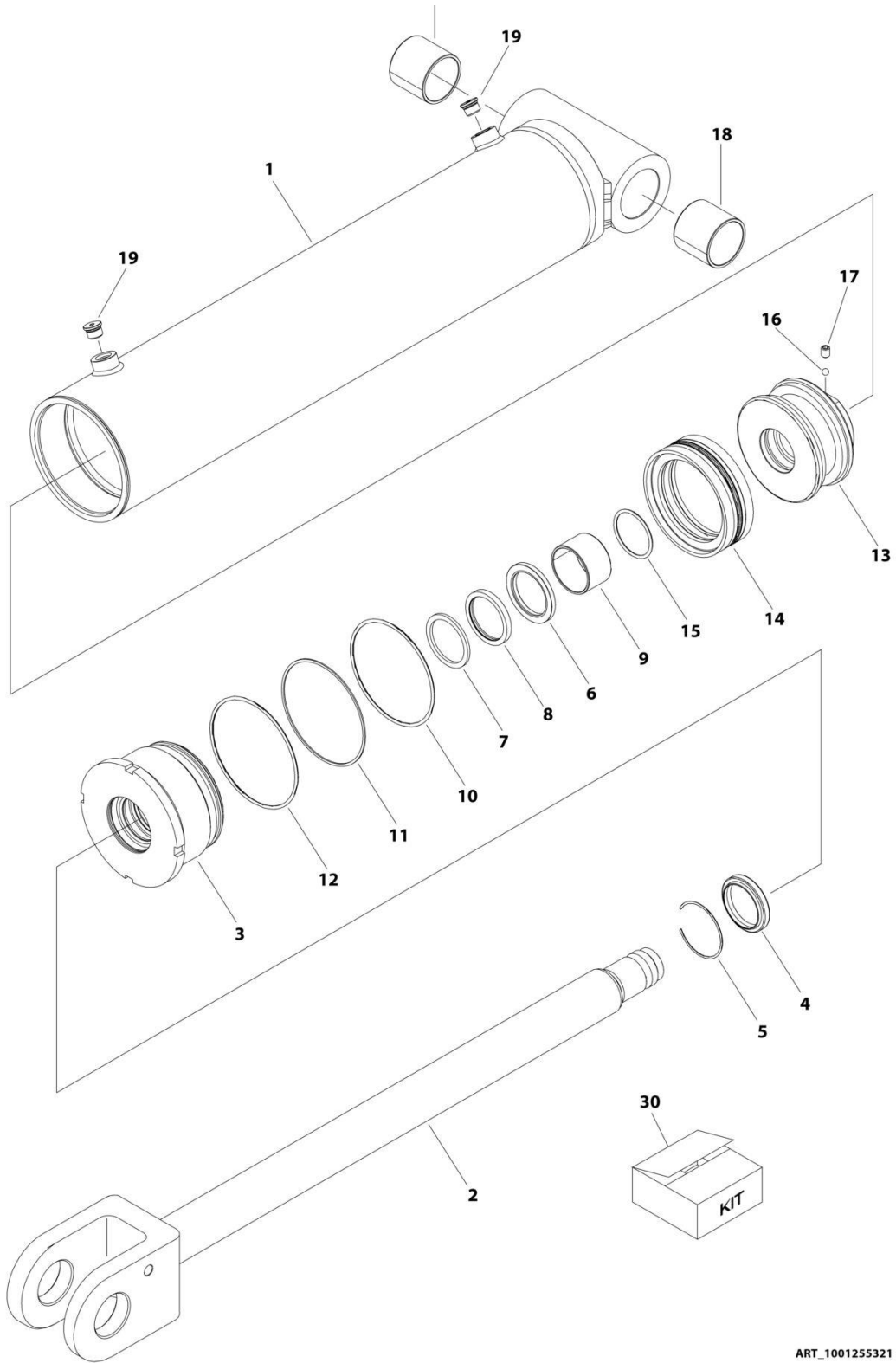
SECTION 6 - CYLINDER

FIGURE 6-7. LIFT CYLINDER ASSEMBLY - TOWER BOOM

| ITEM | PART NUMBER | QTY | DESCRIPTION | REV |
|------|-------------|-----|---|-----|
| | 1001251009 | Ref | LIFT CYLINDER ASSEMBLY | C |
| | | Ref | Note: Original Cylinder may have been replaced with Service Replacement. Identify PN Stamped on Cylinder Before Ordering Parts. | |
| 1 | See Note | NSS | Barrel (Note: Not Available for Purchase) | |
| 2 | 70007419 | 1 | Rod | |
| 3 | 70007277 | 1 | Head | |
| 4 | 70007278 | 1 | Cap | |
| 5 | See Note | NSS | Wiper (Note: Use Item 100) | |
| 6 | 70027750 | 1 | Ring, Retaining | |
| 7 | See Note | NSS | Seal (Note: Use Item 100) | |
| 8 | See Note | NSS | Ring, Back-up (Note: Use Item 100) | |
| 9 | See Note | NSS | Ring, Buffer (Note: Use Item 100) | |
| 10 | 70007279 | 1 | Ring, Wear | |
| 11 | See Note | NSS | O-Ring (Note: Use Item 100) | |
| 12 | See Note | NSS | Ring, Back-up (Note: Use Item 100) | |
| 13 | See Note | NSS | O-Ring (Note: Use Item 100) | |
| 14 | See Note | NSS | O-Ring (Note: Use Item 100) | |
| 15 | 70007280 | 1 | Piston | |
| 16 | See Note | NSS | Seal (Note: Use Item 100) | |
| 17 | See Note | NSS | O-Ring (Note: Use Item 100) | |
| 18 | 70022564 | 1 | Steel Ball | |
| 19 | 70029468 | 1 | Screw, Set | |
| 20 | 70007420 | 1 | Spacer | |
| 21 | 0962102 | 4 | Bushing | |
| 22 | 4640509 | 1 | Cartridge, Valve | |
| 22 | 2900792 | 1 | Seal Kit - 4640509 Valve | |
| 23 | 4640605 | 1 | Cartridge, Valve | |
| 23 | 2900792 | 1 | Seal Kit - 4640605 Valve | |
| 24 | 2220886 | 1 | Plug, O-Ring | |
| 25 | 2220883 | 4 | Plug, O-Ring | |
| 26 | 70007282 | 1 | Insert, Locking | |
| 27 | 70026287 | 1 | Screw, Set | |
| 100 | 70007283 | 1 | Seal Kit (Includes Items 5, 7-9, 11-14, 16 & 17) | |

SECTION 6 - CYLINDER

FIGURE 6-8. MASTER CYLINDER ASSEMBLY



ART_1001255321

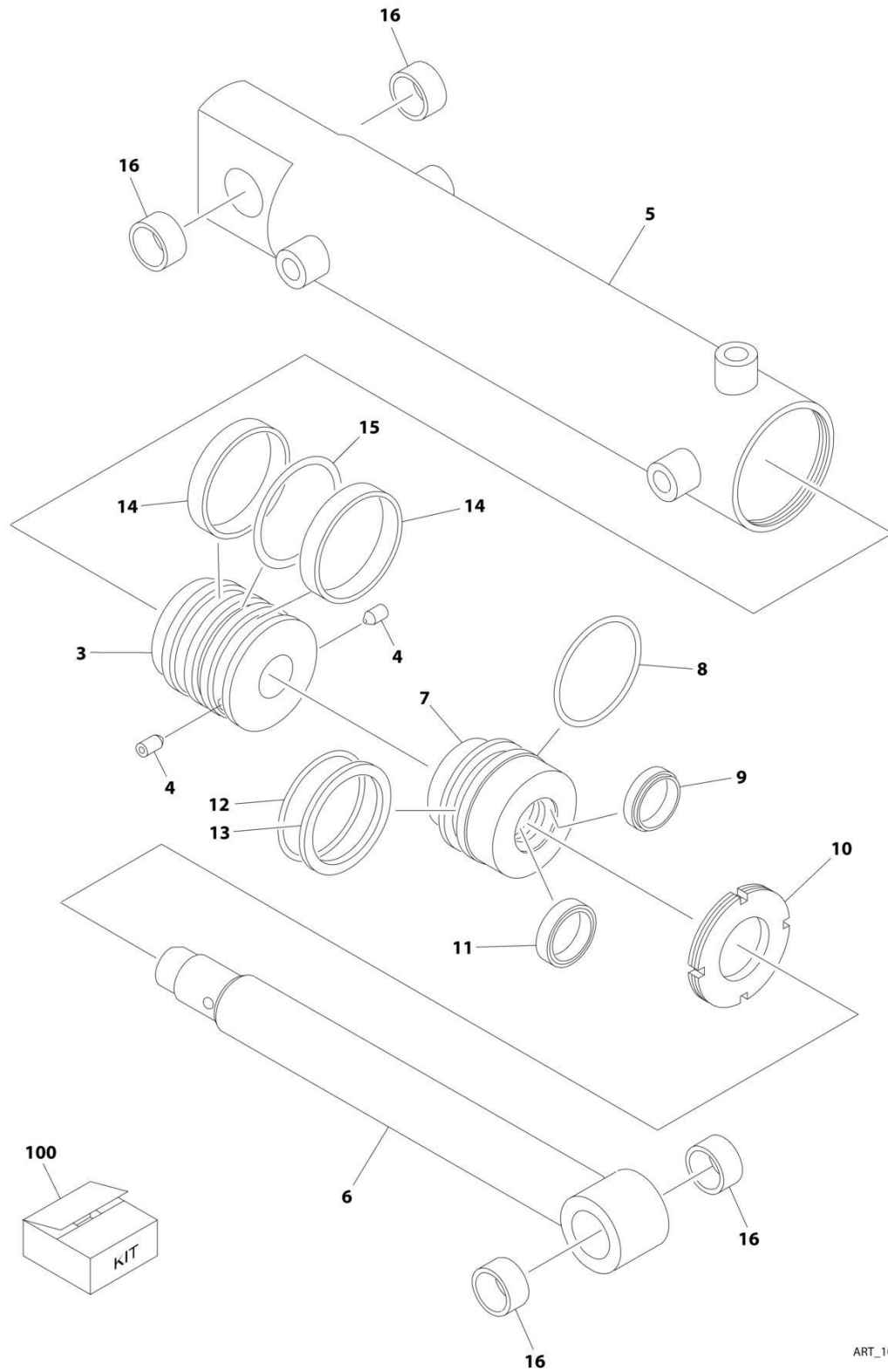
SECTION 6 - CYLINDER

FIGURE 6-8. MASTER CYLINDER ASSEMBLY

| ITEM | PART NUMBER | QTY | DESCRIPTION | REV |
|------|-------------|-----|---|-----|
| | 1001255321 | Ref | MASTER CYLINDER ASSEMBLY | E |
| | | Ref | Note: Original Cylinder may have been replaced with Service Replacement. Identify PN Stamped on Cylinder Before Ordering Parts. | |
| 1 | See Note | NSS | Barrel (Note: Not Available for Purchase) | |
| 2 | 70007525 | 1 | Rod | |
| 3 | 70007157 | 1 | Head | |
| 4 | See Note | NSS | Wiper (Note: Use Item 30) | |
| 5 | 70002410 | 1 | Ring, Retaining | |
| 6 | See Note | NSS | Seal, Rod (Note: Use Item 30) | |
| 7 | See Note | NSS | Ring, Back-up (Note: Use Item 30) | |
| 8 | See Note | NSS | Ring, Buffer (Note: Use Item 30) | |
| 9 | 70004237 | 1 | Ring, Wear | |
| 10 | See Note | NSS | O-Ring (Note: Use Item 30) | |
| 11 | See Note | NSS | Ring, Back-up (Note: Use Item 30) | |
| 12 | See Note | NSS | O-Ring (Note: Use Item 30) | |
| 13 | 70007161 | 1 | Piston | |
| 14 | See Note | NSS | Ring, Lock (Note: Use Item 30) | |
| 15 | See Note | NSS | O-Ring (Note: Use Item 30) | |
| 16 | 70022564 | 1 | Steel Ball | |
| 17 | 70023369 | 1 | Screw, Set | |
| 18 | 70007159 | 1 | Bushing | |
| 19 | 2220885 | 2 | Plug, O-Ring | |
| 30 | 70007524 | 1 | Seal Kit (Includes Items 4, 6-8, 10-12, 14 & 15) | |

SECTION 6 - CYLINDER

FIGURE 6-9. STEER CYLINDER ASSEMBLY



ART_1001150539

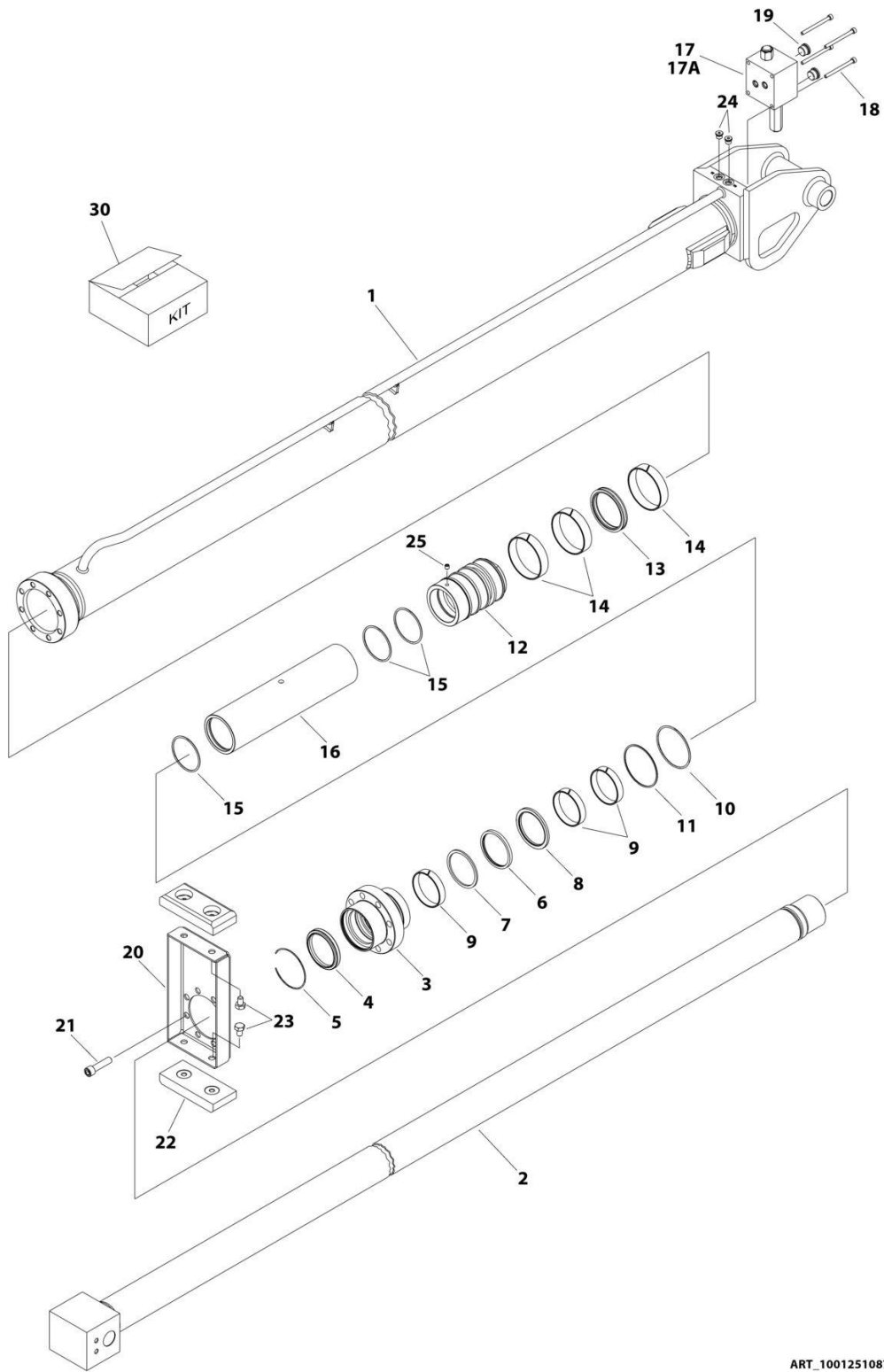
SECTION 6 - CYLINDER

FIGURE 6-9. STEER CYLINDER ASSEMBLY

| ITEM | PART NUMBER | QTY | DESCRIPTION | REV |
|------|-------------|-----|---|-----|
| | 1001150539 | Ref | STEER CYLINDER ASSEMBLY | F |
| | | Ref | Note: Original Cylinder may have been replaced with Service Replacement. Identify PN Stamped on Cylinder Before Ordering Parts. | |
| 3 | 70002744 | 1 | Piston | |
| 4 | 70002745 | 2 | Setscrew M6 x 10 | |
| 5 | 70004381 | 1 | Barrel | |
| 6 | 70004382 | 1 | Rod | |
| 7 | 70002748 | 1 | Head | |
| 8 | See Note | NSS | Ring (Note: Use Item 100) | |
| 9 | See Note | NSS | Wiper (Note: Use Item 100) | |
| 10 | 70002749 | 1 | Nut, Spanner | |
| 11 | See Note | NSS | Seal (Note: Use Item 100) | |
| 12 | See Note | NSS | O-Ring (Note: Use Item 100) | |
| 13 | See Note | NSS | Ring, Back-up (Note: Use Item 100) | |
| 14 | See Note | NSS | Ring, Wear (Note: Use Item 100) | |
| 15 | See Note | NSS | Seal (Note: Use Item 100) | |
| 16 | 0962152 | 4 | Bushings | |
| 100 | 70002751 | 1 | Seal Kit (Includes Items 8, 9 & 11-15) | |

SECTION 6 - CYLINDER

FIGURE 6-10. TELESCOPE CYLINDER ASSEMBLY - MAIN BOOM



ART_1001251087

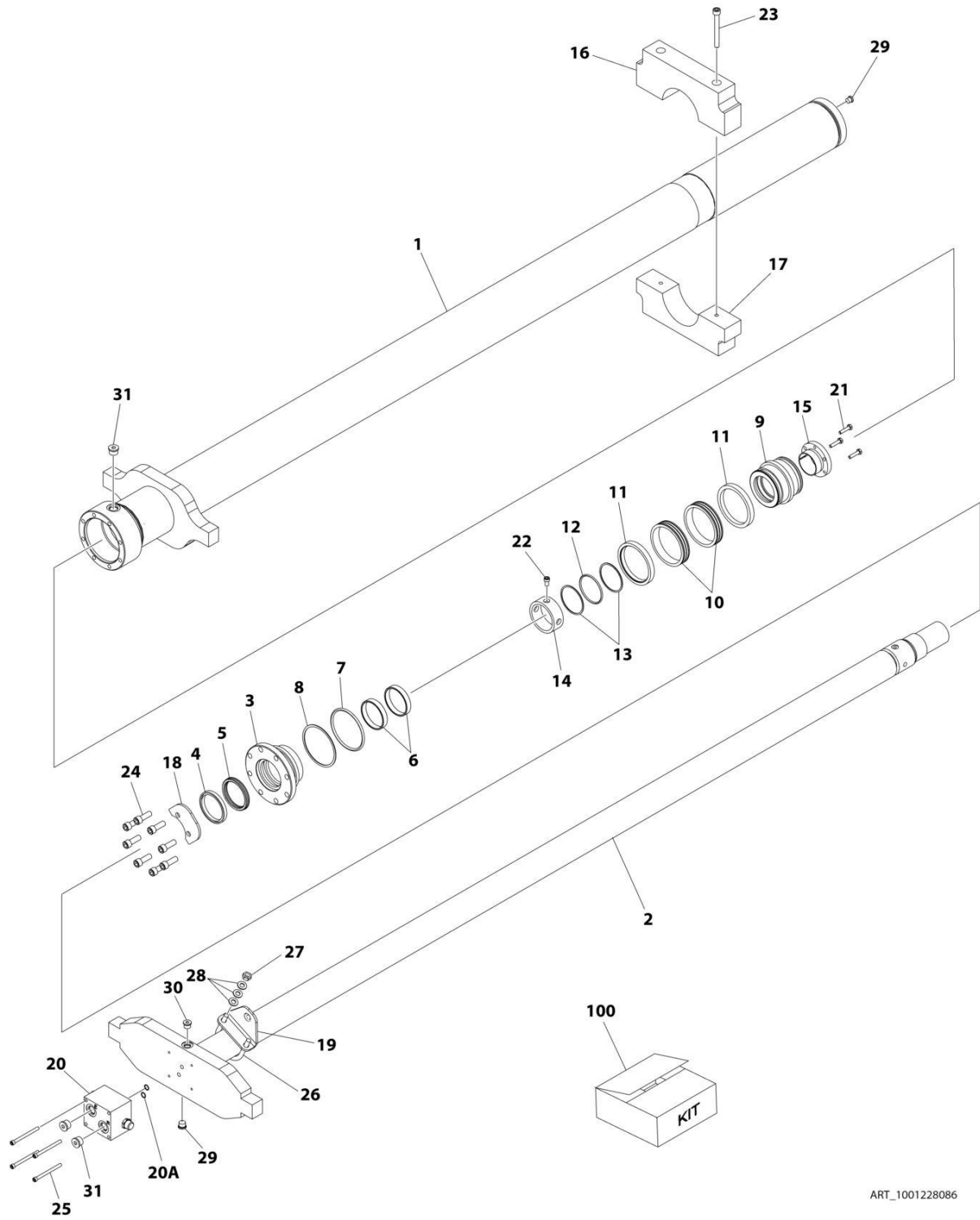
SECTION 6 - CYLINDER

FIGURE 6-10. TELESCOPE CYLINDER ASSEMBLY - MAIN BOOM

| ITEM | PART NUMBER | QTY | DESCRIPTION | REV |
|------|-------------|-----|---|-----|
| | 1001251087 | Ref | TELESCOPE CYLINDER ASSEMBLY | A |
| | | Ref | Note: Original Cylinder may have been replaced with Service Replacement. Identify PN Stamped on Cylinder Before Ordering Parts. | |
| 1 | See Note | NSS | Barrel (Note: Not Available for Purchase) | |
| 2 | 70007514 | 1 | Rod | |
| 3 | 70007515 | 1 | Head | |
| 4 | See Note | NSS | Wiper (Note: Use Item 30) | |
| 5 | 70027259 | 1 | Ring, Retaining | |
| 6 | See Note | NSS | Seal, Rod (Note: Use Item 30) | |
| 7 | See Note | NSS | Ring, Back-up (Note: Use Item 30) | |
| 8 | See Note | NSS | Ring, Buffer (Note: Use Item 30) | |
| 9 | See Note | NSS | Ring, Wear (Note: Use Item 30) | |
| 10 | See Note | NSS | O-Ring (Note: Use Item 30) | |
| 11 | See Note | NSS | Ring, Back-up (Note: Use Item 30) | |
| 12 | 70007516 | 1 | Piston | |
| 13 | See Note | NSS | Seal, Piston (Note: Use Item 30) | |
| 14 | See Note | NSS | Ring, Wear (Note: Use Item 30) | |
| 15 | See Note | NSS | O-Ring (Note: Use Item 30) | |
| 16 | 70007517 | 1 | Spacer | |
| 17 | 4641033 | 1 | Valve Assembly (No serviceable parts - sold as assembly only) | |
| 17A | 7024508 | 2 | O-Ring (Between Valve and Cylinder Barrel) | |
| 18 | 70006802 | 4 | Capscrew M6 | |
| 19 | 2220886 | 2 | Plug, O-Ring | |
| 20 | 70007518 | 1 | Plate | |
| 21 | 70007519 | 8 | Capscrew M12 | |
| 22 | 70007520 | 2 | Pad, Wear | |
| 23 | 70007521 | 4 | Bolt M10 | |
| 24 | 2220883 | 2 | Plug, O-Ring | |
| 25 | 70006799 | 1 | Screw, Set | |
| 30 | 70007522 | 1 | Seal Kit (Includes Items 4, 6, 7, 9-11 & 13-15) | |

SECTION 6 - CYLINDER

FIGURE 6-11. TELESCOPE CYLINDER ASSEMBLY - TOWER BOOM



ART_1001228086

SECTION 6 - CYLINDER

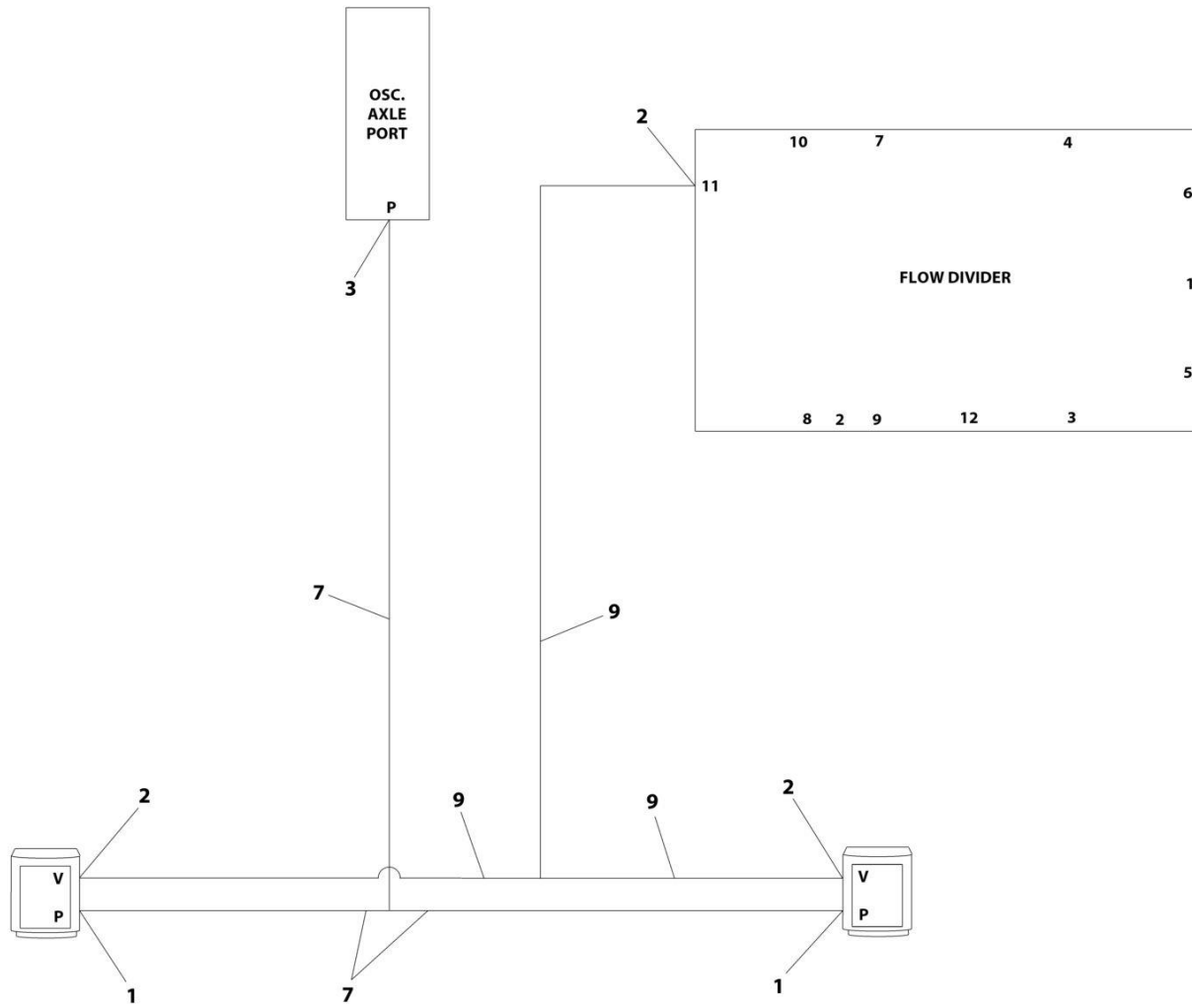
FIGURE 6-11. TELESCOPE CYLINDER ASSEMBLY - TOWER BOOM

| ITEM | PART NUMBER | QTY | DESCRIPTION | REV |
|------|-------------|-----|---|-----|
| | 1001228086 | Ref | TELESCOPE CYLINDER ASSEMBLY | B |
| | | Ref | Note: Original Cylinder may have been replaced with Service Replacement. Identify PN Stamped on Cylinder Before Ordering Parts. | |
| 1 | See Note | NSS | Barrel (Note: Not Available for Purchase) | |
| 2 | 70006921 | 1 | Rod | |
| 3 | 70006480 | 1 | Head | |
| 4 | See Note | NSS | Wiper (Note: Use Item 100) | |
| 5 | See Note | NSS | Seal, Rod (Note: Use Item 100) | |
| 6 | See Note | NSS | Ring, Wear (Note: Use Item 100) | |
| 7 | See Note | NSS | O-Ring (Note: Use Item 100) | |
| 8 | See Note | NSS | Ring, Back-up (Note: Use Item 100) | |
| 9 | 70006479 | 1 | Piston | |
| 10 | See Note | NSS | Seal, Piston (Note: Use Item 100) | |
| 11 | See Note | NSS | Ring, Lock (Note: use Item 100) | |
| 12 | See Note | NSS | O-Ring (Note: Use Item 100) | |
| 13 | See Note | NSS | Ring, Back-up (Note: Use Item 100) | |
| 14 | 70006922 | 1 | Spacer | |
| 15 | 0961897 | 1 | Bushing, Tapered | |
| 16 | 70006923 | 1 | Pad, Wear | |
| 17 | 70006924 | 1 | Pad, Wear | |
| 18 | 70006925 | 1 | Plate | |
| 19 | 70006926 | 1 | Plate | |
| 20 | 4641032 | 1 | Valve Assembly (No serviceable parts - sold as assembly only) | |
| 20A | 7024397 | 2 | O-Ring (Between Valve and Cylinder Barrel) | |
| 21 | 0630535 | 3 | Bolt 1/4 x 1-1/8 | |
| 22 | 70006731 | 1 | Bolt | |
| 23 | 70006927 | 2 | Bolt M10 | |
| 24 | 70006728 | 8 | Bolt 7/16 | |
| 25 | 70006733 | 4 | Bolt M8 | |
| 26 | 70006928 | 1 | U-Bolt M10 | |
| 27 | 70005594 | 2 | Nut M10 | |
| 28 | 70006344 | 6 | Washer M10 | |
| 29 | 2220883 | 2 | Plug, O-Ring | |
| 30 | 2220885 | 1 | Plug, O-Ring | |
| 31 | 2220886 | 3 | Plug, O-Ring | |
| 100 | 1001188842 | 1 | Seal Kit - 1001228086 Cylinder (Includes Items 4-8 & 10-13) | |

SECTION 7 - HYDRAULIC

SECTION 7 - HYDRAULIC

FIGURE 7-1. HYDRAULIC DIAGRAM - AXLE (OSCILLATING)



ART_1001157400

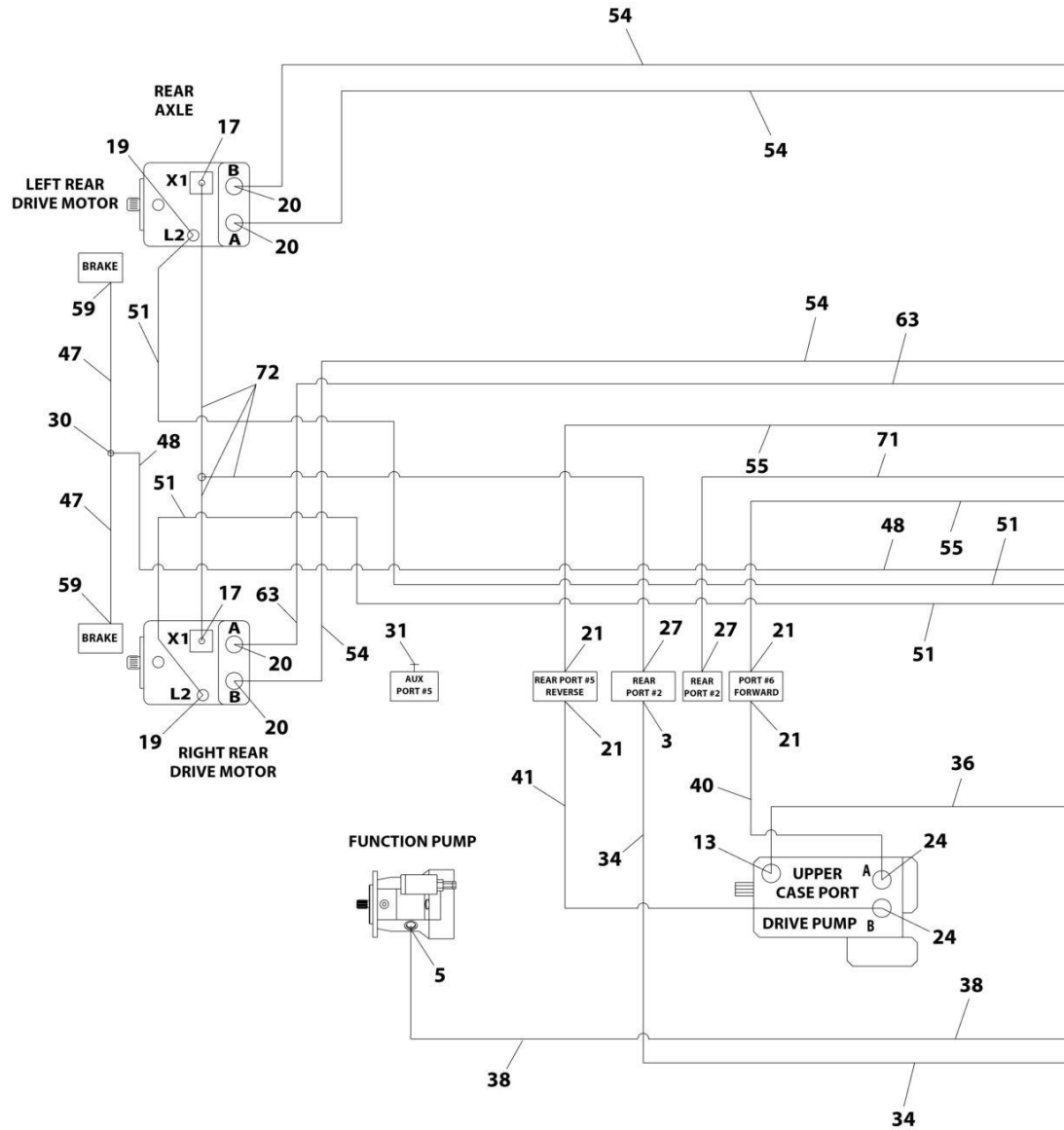
SECTION 7 - HYDRAULIC

FIGURE 7-1. HYDRAULIC DIAGRAM - AXLE (OSCILLATING)

| ITEM | PART NUMBER | QTY | DESCRIPTION | REV |
|------|-------------|-----|--------------------------------|-----|
| | 1001157400 | Ref | AXLE LOCKOUT HYDRAULIC DIAGRAM | F |
| 1 | 2110404 | 2 | Fitting, Straight ORFS/ORB | |
| 2 | 2110606 | 3 | Fitting, Straight ORFS/ORB | |
| 3 | 2110408 | 1 | Fitting, Straight ORFS/ORB | |
| 7 | 1001198339 | 1 | Hose with Crimped Tee | |
| 9 | 1001198336 | 1 | Hose with Crimped Tee | |

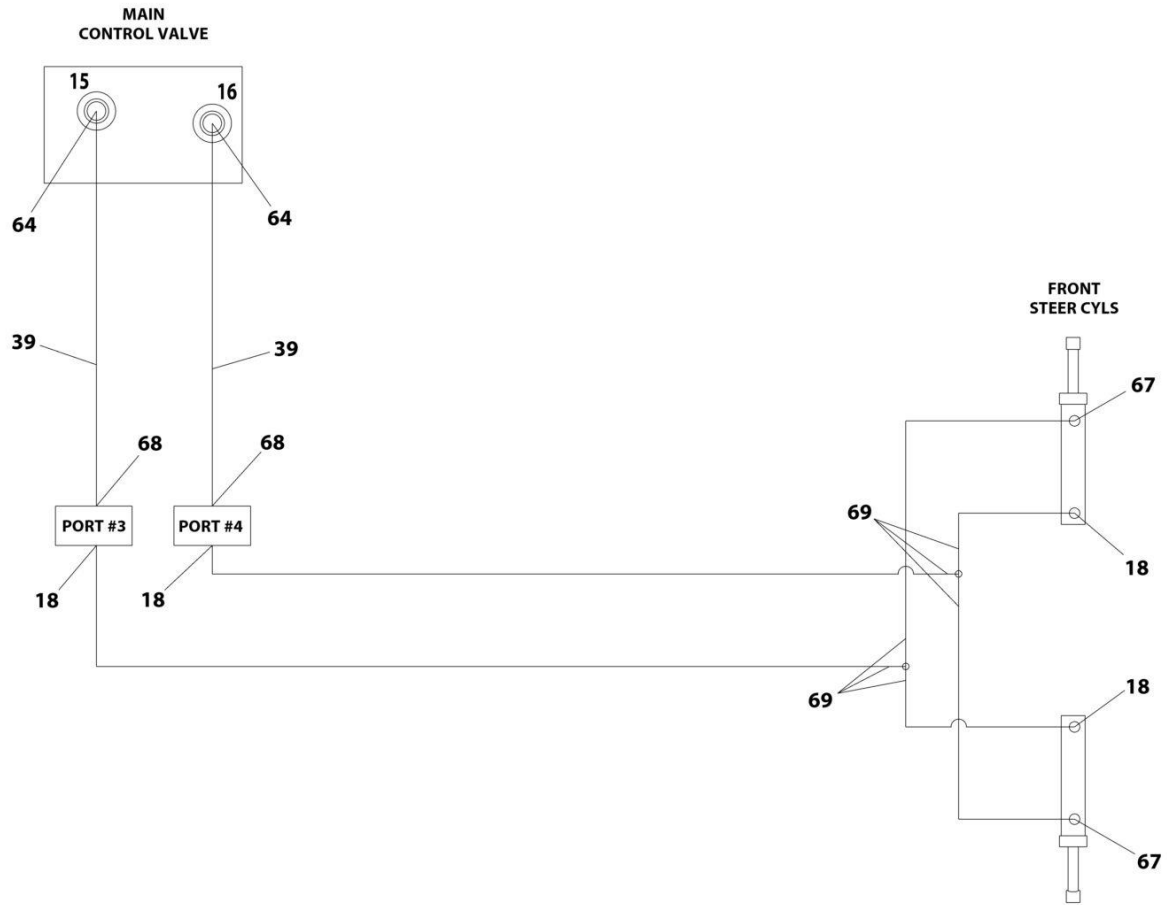
SECTION 7 - HYDRAULIC

FIGURE 7-2. HYDRAULIC DIAGRAM - DRIVE (4WD/2WS WITHOUT TOW PACKAGE/WITHOUT ARCTIC PACKAGE)



ART_1001178204_10F3

SECTION 7 - HYDRAULIC



ART_1001178204_30F3

SECTION 7 - HYDRAULIC

FIGURE 7-2. HYDRAULIC DIAGRAM - DRIVE (4WD/2WS WITHOUT TOW PACKAGE/WITHOUT ARCTIC PACKAGE)

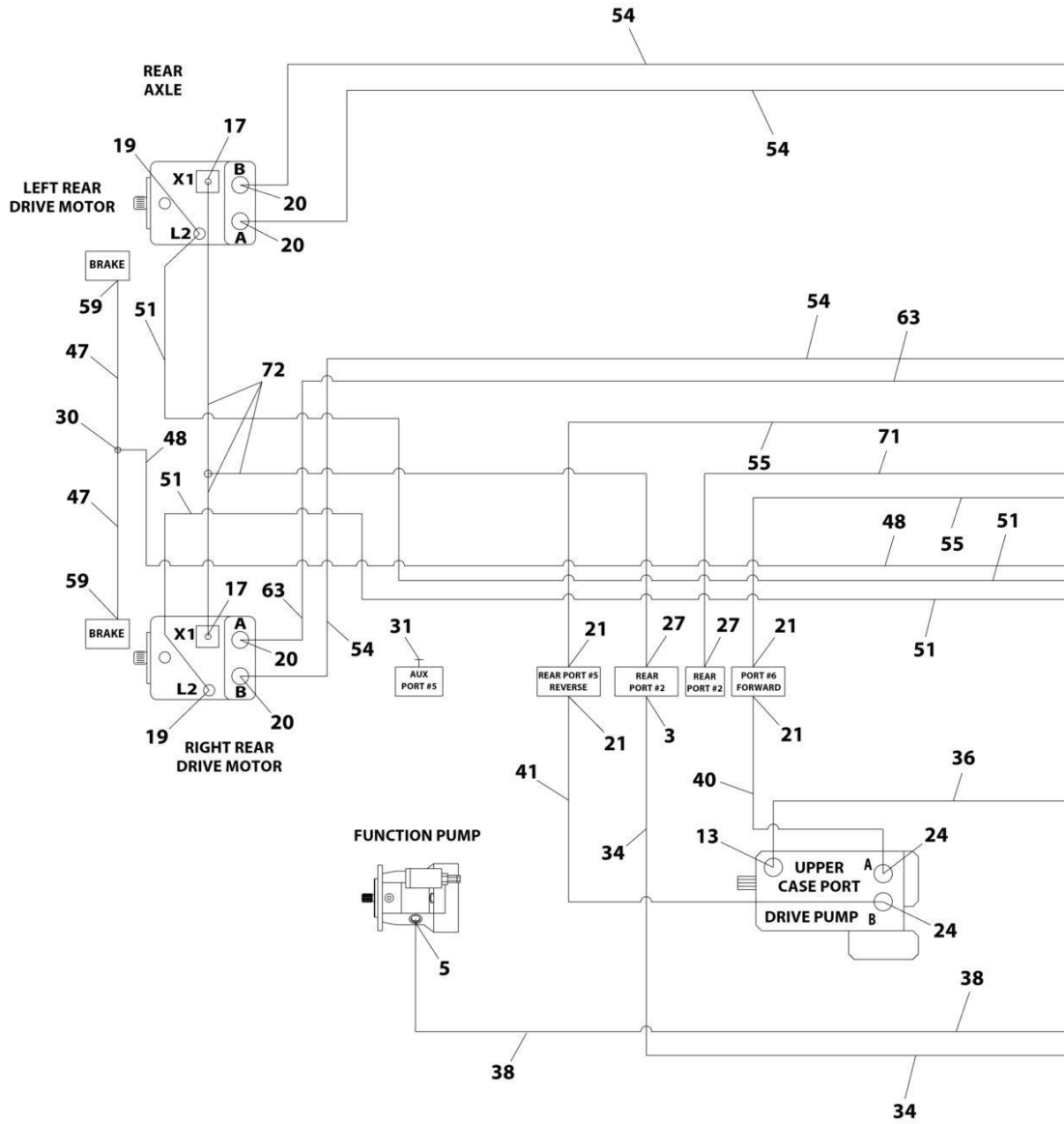
| ITEM | PART NUMBER | QTY | DESCRIPTION | REV |
|------|-------------|-----|-----------------------------------|-----|
| | 1001178204 | Ref | DRIVE HYDRAULIC DIAGRAM - 4WD/2WS | H |
| 1 | 2752495 | 2 | Hose | |
| 2 | 2220800 | 1 | Fitting, Straight ORB/FL | |
| 3 | 2220582 | 1 | Fitting, Straight ORB/FL | |
| 4 | 2220238 | 1 | Plug | |
| 5 | 2220671 | 1 | Fitting, 90 JIC/ORB | |
| 7 | 2220374 | 1 | Fitting, Straight JIC/ORB | |
| 8 | 1001199394 | 1 | Fitting, Tee JIC/ORB/JIC | |
| 9 | 2220380 | 1 | Fitting, Straight ORB/FL | |
| 10 | 2220375 | 1 | Fitting, Straight ORB/FL | |
| 12 | 2220468 | 1 | Fitting, Straight ORB/FL | |
| 13 | 2220578 | 1 | Fitting, 90 JIC/ORB | |
| 14 | 2220596 | 1 | Fitting, 90 JIC/FL | |
| 15 | 8770050 | 1 | Fitting, 90 JIC/ORB | |
| 17 | 2110406 | 2 | Fitting, Straight ORFS/ORB | |
| 18 | 2110606 | 4 | Fitting, Straight ORFS/ORB | |
| 19 | 2110808 | 6 | Fitting, Straight ORFS/ORB | |
| 20 | 2110812 | 4 | Fitting, Straight ORFS/ORB | |
| 21 | 2111616 | 4 | Fitting, Straight ORFS/ORB | |
| 22 | 2110404 | 2 | Fitting, Straight ORFS/ORB | |
| 23 | 2130808 | 6 | Fitting, 90 ORFS/ORB | |
| 24 | 2131616 | 3 | Fitting, 90 ORFS/ORB | |
| 25 | 2130604 | 1 | Fitting, 90 ORFS/ORB | |
| 26 | 2130406 | 2 | Fitting, 90 ORFS/ORB | |
| 27 | 2150406 | 2 | Fitting, 45 ORFS/ORB | |
| 28 | 2110812 | 4 | Fitting, 45 ORFS/ORB | |
| 29 | 2170408 | 2 | Fitting, Tee ORFS/ORFS/ORB | |
| 30 | 2170504 | 2 | Fitting, Tee ORFS | |
| 31 | 2220237 | 1 | Plug | |
| 32 | 2752434 | 1 | Hose | |
| 33 | 2752997 | 1 | Hose | |
| 34 | 2751399 | 1 | Hose | |
| 35 | 2752754 | 1 | Hose | |
| 36 | 1001188135 | 1 | Hose | |
| 37 | 2751500 | 1 | Hose | |
| 38 | 2752938 | 1 | Hose | |
| 39 | 2752489 | 2 | Hose | |
| 40 | 1001156332 | 1 | Hose | |
| 41 | 1001156333 | 1 | Hose | |
| 42 | 2220451 | 1 | Fitting, Straight JIC/ORB | |
| 44 | 2754512 | 2 | Hose | |
| 47 | 2754337 | 2 | Hose | |
| 48 | 2753622 | 1 | Hose | |
| 49 | 2753542 | 1 | Hose | |
| 50 | 2753626 | 1 | Hose | |
| 51 | 2753686 | 2 | Hose | |
| 52 | 2753628 | 2 | Hose | |
| 53 | 2753970 | 4 | Hose | |
| 54 | 2753971 | 3 | Hose | |

SECTION 7 - HYDRAULIC

| ITEM | PART NUMBER | QTY | DESCRIPTION | REV |
|------|-------------|-----|----------------------------|-----|
| 55 | 2753634 | 2 | Hose | |
| 58 | 2220373 | 2 | Fitting, Straight JIC/ORB | |
| 59 | 2110404 | 2 | Fitting, Straight ORFS/ORB | |
| 60 | 2220940 | 1 | Fitting, 90 ORB/FL | |
| 61 | 2220466 | 3 | Fitting, 90 ORB/FL | |
| 62 | 2151616 | 1 | Fitting, 90 ORFS/ORB | |
| 63 | 2754338 | 1 | Hose | |
| 64 | 2220371 | 2 | Fitting, Straight JIC/ORB | |
| 67 | 2130606 | 3 | Fitting, 90 ORFS/ORB | |
| 68 | 2220473 | 2 | Fitting, 90 ORB/FL | |
| 69 | 1001198333 | 2 | Hose | |
| 71 | 1001198341 | 1 | Hose | |
| 72 | 1001198340 | 1 | Hose | |
| 73 | 1001198338 | 1 | Fitting, Tee ORFS/ORB | |
| 74 | 1001215296 | 1 | Fitting, 90 JIC/SORB | |
| 75 | 1001151354 | 1 | Hose | |

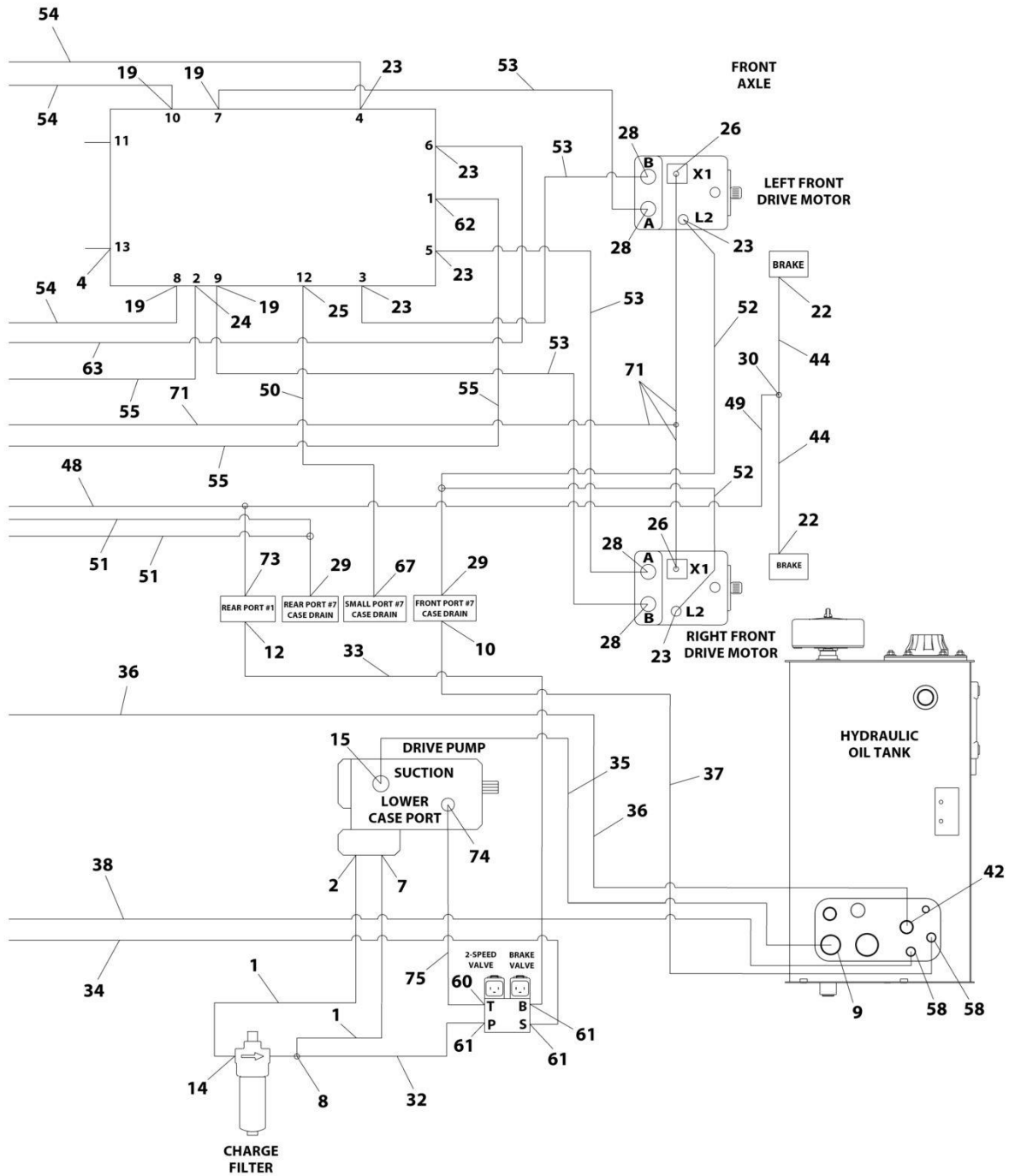
SECTION 7 - HYDRAULIC

FIGURE 7-3. HYDRAULIC DIAGRAM - DRIVE (4WD/2WS WITHOUT TOW PACKAGE/WITH ARCTIC PACKAGE)



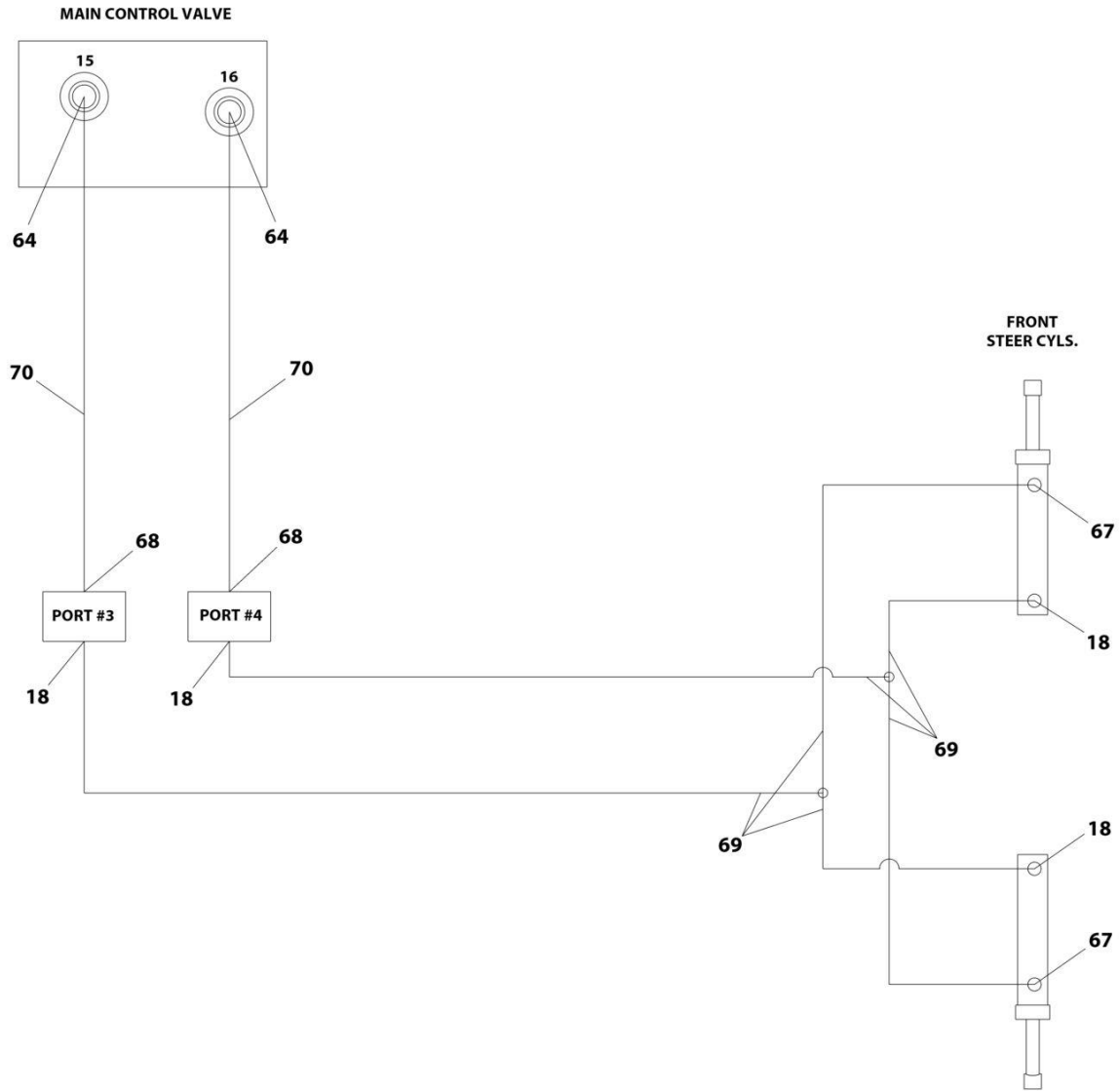
ART_1001178205_1OF3

SECTION 7 - HYDRAULIC



ART_1001178205_2OF3

SECTION 7 - HYDRAULIC



ART_1001178205_30F3

SECTION 7 - HYDRAULIC

FIGURE 7-3. HYDRAULIC DIAGRAM - DRIVE (4WD/2WS WITHOUT TOW PACKAGE/WITH ARCTIC PACKAGE)

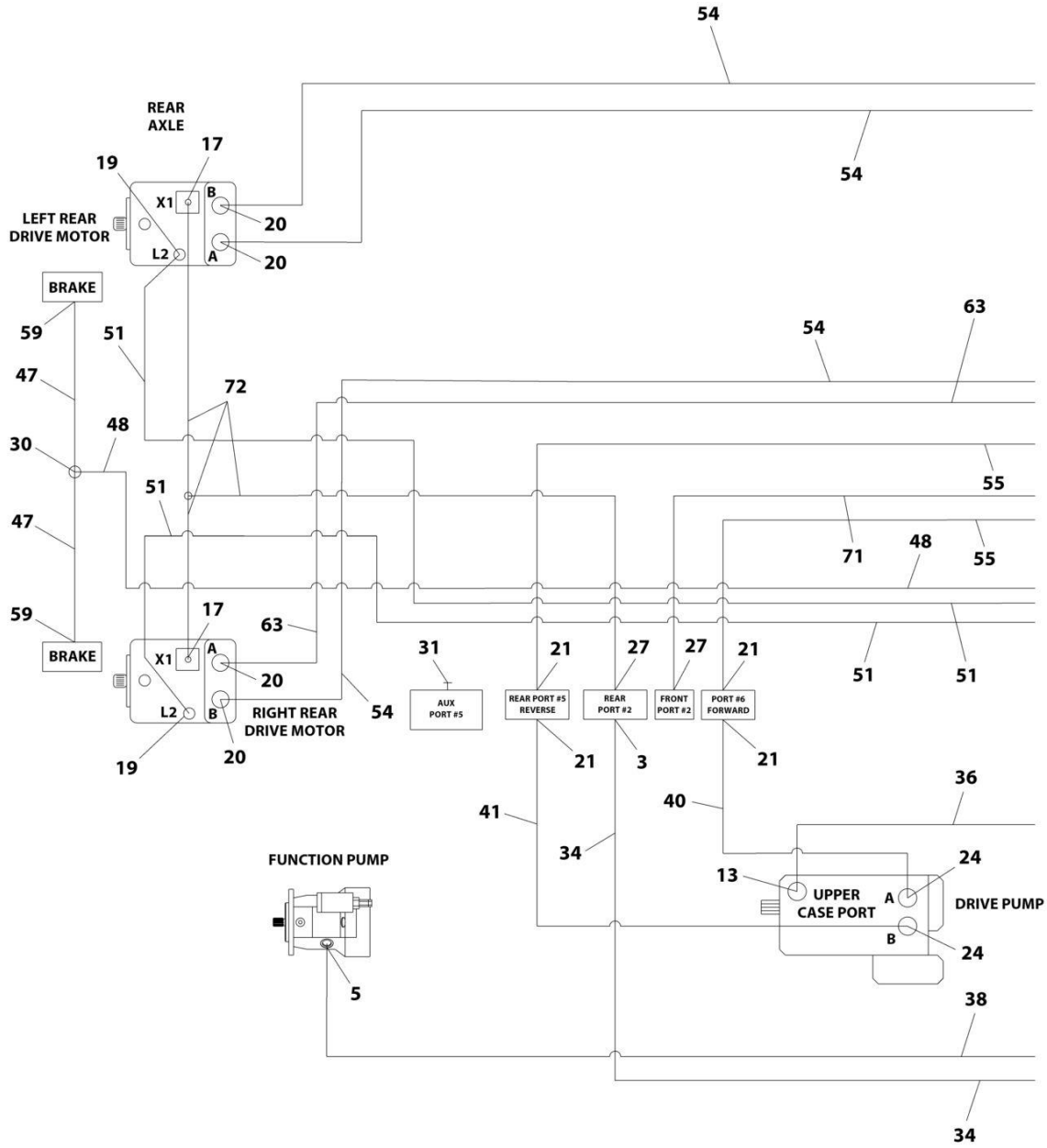
| ITEM | PART NUMBER | QTY | DESCRIPTION | REV |
|------|-------------|-----|-----------------------------------|-----|
| | 1001178205 | Ref | DRIVE HYDRAULIC DIAGRAM - 4WD/2WS | G |
| 1 | 2752495 | 2 | Hose | |
| 2 | 2220800 | 1 | Fitting, Straight ORB/FL | |
| 3 | 2220582 | 1 | Fitting, Straight ORB/FL | |
| 4 | 2220238 | 1 | Plug | |
| 5 | 2220671 | 1 | Fitting, 90 JIC/ORB | |
| 7 | 2220374 | 1 | Fitting, Straight JIC/ORB | |
| 8 | 1001199394 | 1 | Fitting, Tee JIC/ORB/JIC | |
| 9 | 2220380 | 1 | Fitting, Straight ORB/FL | |
| 10 | 2220375 | 1 | Fitting, Straight ORB/FL | |
| 12 | 2220468 | 1 | Fitting, Straight ORB/FL | |
| 13 | 2220578 | 1 | Fitting, 90 JIC/ORB | |
| 14 | 2220596 | 1 | Fitting, 90 JIC/FL | |
| 15 | 8770050 | 1 | Fitting, 90 JIC/ORB | |
| 17 | 2110406 | 2 | Fitting, Straight ORFS/ORB | |
| 18 | 2110606 | 4 | Fitting, Straight ORFS/ORB | |
| 19 | 2110808 | 6 | Fitting, Straight ORFS/ORB | |
| 20 | 2110812 | 4 | Fitting, Straight ORFS/ORB | |
| 21 | 2111616 | 4 | Fitting, Straight ORFS/ORB | |
| 22 | 2110404 | 2 | Fitting, Straight ORFS/ORB | |
| 23 | 2130808 | 6 | Fitting, 90 ORFS/ORB | |
| 24 | 2131616 | 3 | Fitting, 90 ORFS/ORB | |
| 25 | 2130604 | 1 | Fitting, 90 ORFS/ORB | |
| 26 | 2130406 | 2 | Fitting, 90 ORFS/ORB | |
| 27 | 2150406 | 2 | Fitting, 45 ORFS/ORB | |
| 28 | 2110812 | 4 | Fitting, 45 ORFS/ORB | |
| 29 | 2170408 | 2 | Fitting, Tee ORFS/ORFS/ORB | |
| 30 | 2170504 | 2 | Fitting, Tee ORFS | |
| 31 | 2220237 | 1 | Plug | |
| 32 | 2752434 | 1 | Hose | |
| 33 | 2752997 | 1 | Hose | |
| 34 | 2751399 | 1 | Hose | |
| 35 | 2752754 | 1 | Hose | |
| 36 | 1001188135 | 1 | Hose | |
| 37 | 2751500 | 1 | Hose | |
| 38 | 2752938 | 1 | Hose | |
| 40 | 1001156332 | 1 | Hose | |
| 41 | 1001156333 | 1 | Hose | |
| 42 | 2220451 | 1 | Fitting, Straight JIC/ORB | |
| 44 | 1001106957 | 2 | Hose | |
| 47 | 2754337 | 2 | Hose | |
| 48 | 2753622 | 1 | Hose | |
| 49 | 2753542 | 1 | Hose | |
| 50 | 2753626 | 1 | Hose | |
| 51 | 2753686 | 2 | Hose | |
| 52 | 2754720 | 2 | Hose | |
| 53 | 2754743 | 4 | Hose | |
| 54 | 2753971 | 3 | Hose | |
| 55 | 2753634 | 2 | Hose | |

SECTION 7 - HYDRAULIC

| ITEM | PART NUMBER | QTY | DESCRIPTION | REV |
|------|-------------|-----|----------------------------|-----|
| 57 | 2753940 | 1 | Hose | |
| 58 | 2220373 | 2 | Fitting, Straight JIC/ORB | |
| 59 | 2110404 | 2 | Fitting, Straight ORFS/ORB | |
| 61 | 2220466 | 3 | Fitting, 90 ORB/FL | |
| 62 | 2151616 | 1 | Fitting, 90 ORFS/ORB | |
| 63 | 2754338 | 1 | Hose | |
| 64 | 2220371 | 2 | Fitting, Straight JIC/ORB | |
| 67 | 2130606 | 3 | Fitting, 90 ORFS/ORB | |
| 68 | 2220473 | 2 | Fitting, 90 ORB/FL | |
| 69 | 1001198333 | 2 | Hose | |
| 70 | 2752489 | 2 | Hose | |
| 71 | 1001204269 | 1 | Hose | |
| 72 | 1001198340 | 1 | Hose | |
| 73 | 1001198338 | 1 | Fitting, Tee ORFS/ORB | |
| 74 | 1001215296 | 1 | Fitting, 90 JIC/SORB | |
| 75 | 1001151354 | 1 | Hose | |

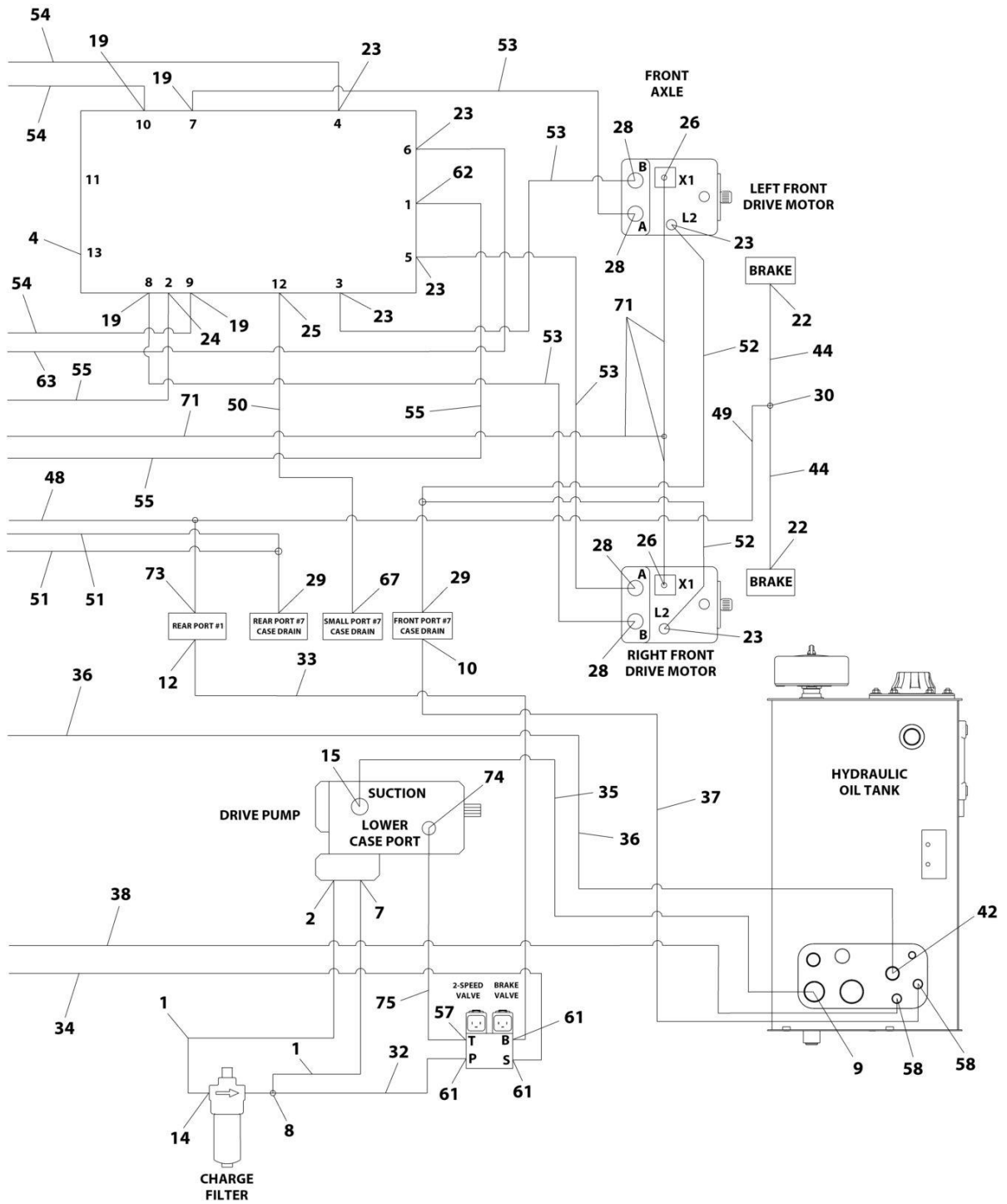
SECTION 7 - HYDRAULIC

FIGURE 7-4. HYDRAULIC DIAGRAM - DRIVE (4WD/2WS WITH TOW PACKAGE/WITHOUT ARCTIC PACKAGE)



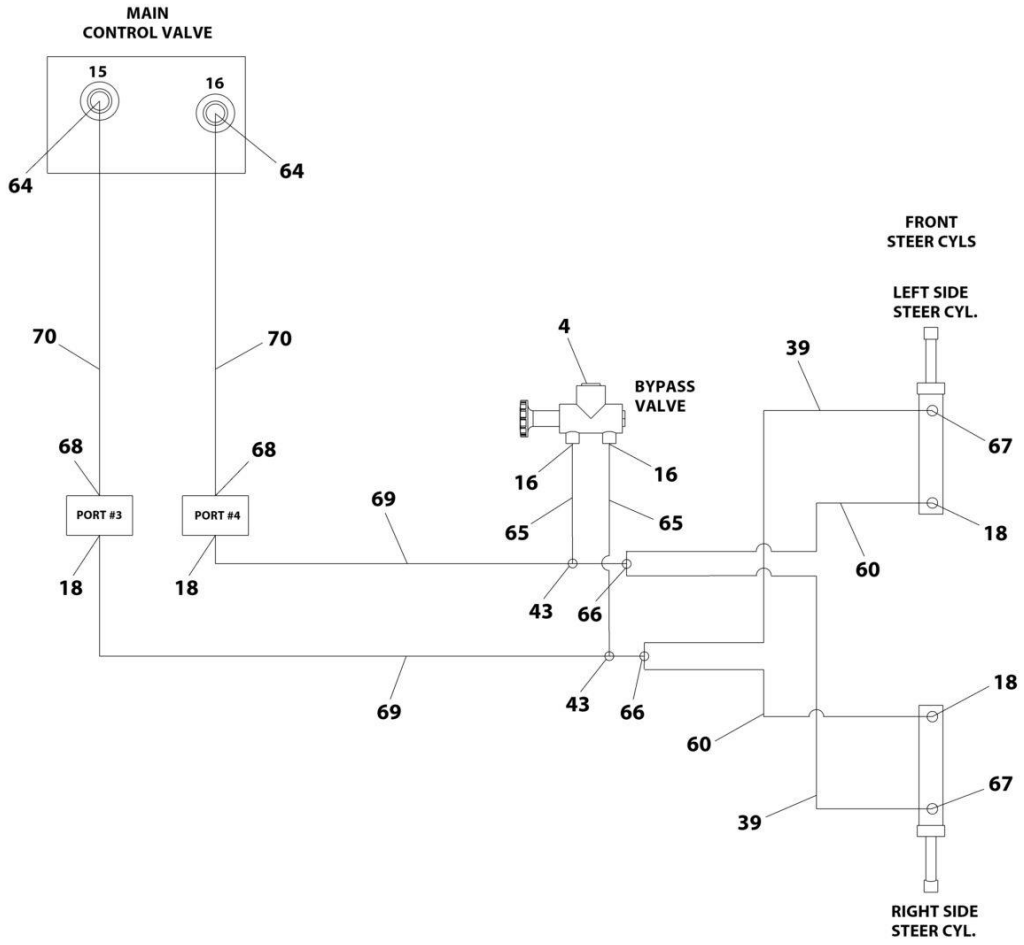
ART_1001217196_1OF3

SECTION 7 - HYDRAULIC



ART_1001217196_20F3

SECTION 7 - HYDRAULIC



ART_1001217196_30F3

SECTION 7 - HYDRAULIC

FIGURE 7-4. HYDRAULIC DIAGRAM - DRIVE (4WD/2WS WITH TOW PACKAGE/WITHOUT ARCTIC PACKAGE)

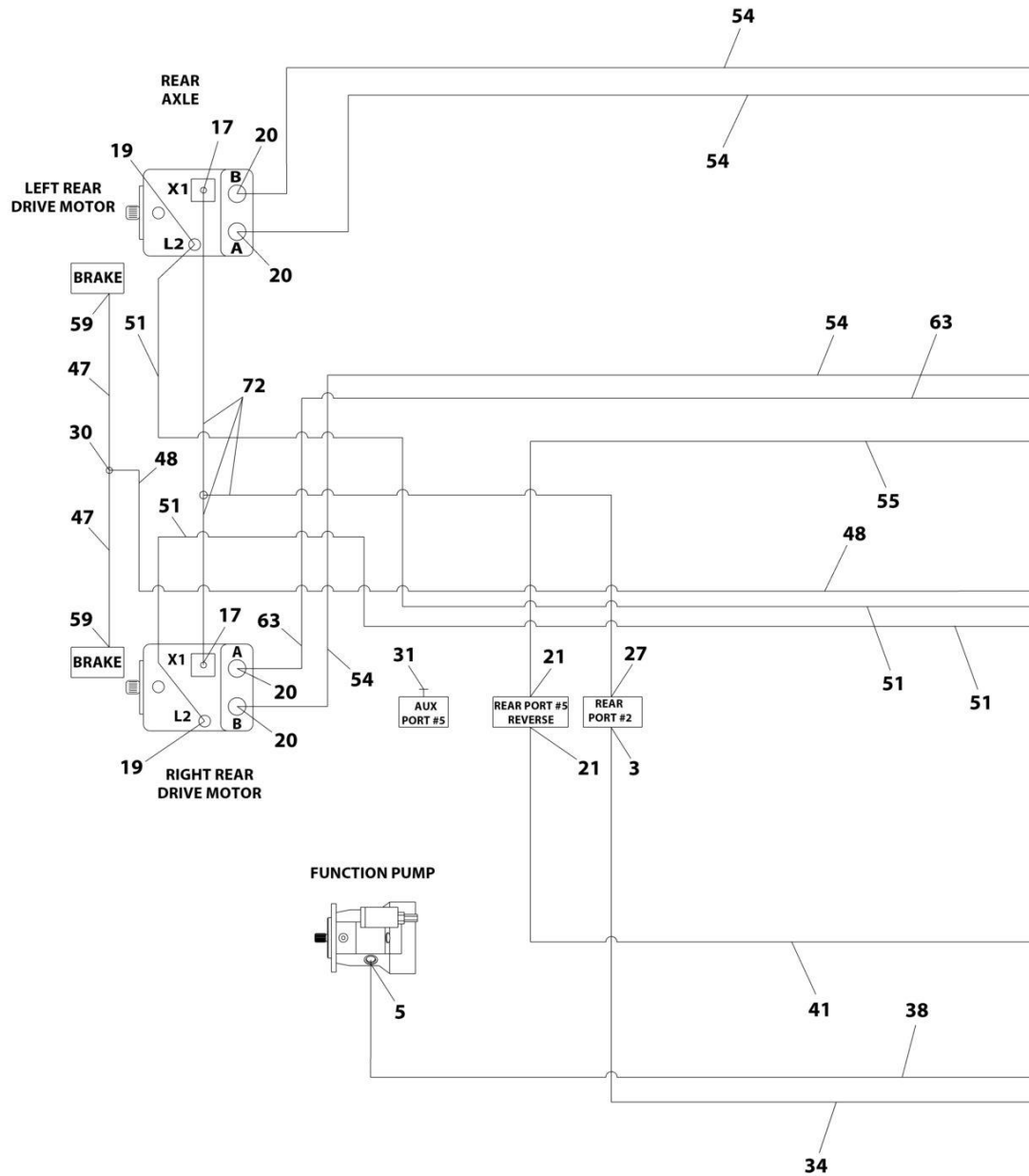
| ITEM | PART NUMBER | QTY | DESCRIPTION | REV |
|------|-------------|-----|-----------------------------------|-----|
| | 1001217196 | Ref | Drive Hydraulic Diagram - 4WD/2WS | B |
| 1 | 2752495 | 2 | Hose | |
| 2 | 2220800 | 1 | Fitting, Straight ORB/FL | |
| 3 | 2220582 | 1 | Fitting, Straight ORB/FL | |
| 4 | 2220238 | 2 | Plug | |
| 5 | 2220671 | 1 | Fitting, 90 JIC/ORB | |
| 7 | 2220374 | 1 | Fitting, Straight JIC/ORB | |
| 8 | 1001199394 | 1 | Fitting, Tee JIC/ORB/JIC | |
| 9 | 2220380 | 1 | Fitting, Straight ORB/FL | |
| 10 | 2220375 | 1 | Fitting, Straight ORB/FL | |
| 12 | 2220468 | 1 | Fitting, Straight ORB/FL | |
| 13 | 2220578 | 1 | Fitting, 90 JIC/ORB | |
| 14 | 2220596 | 1 | Fitting, 90 ORB/FL | |
| 15 | 8770050 | 1 | Fitting, 90 JIC/ORB | |
| 16 | 2110608 | 2 | Fitting, Straight ORFS/ORB | |
| 17 | 2110406 | 2 | Fitting, Straight ORFS/ORB | |
| 18 | 2110606 | 4 | Fitting, Straight ORFS/ORB | |
| 19 | 2110808 | 6 | Fitting, Straight ORFS/ORB | |
| 20 | 2110812 | 4 | Fitting, Straight ORFS/OBS | |
| 21 | 2131616 | 4 | Fitting, 90 ORFS/ORB | |
| 22 | 2110404 | 2 | Fitting, Straight ORFS/ORB | |
| 23 | 2130808 | 6 | Fitting, 90 ORFS/ORB | |
| 24 | 2111616 | 3 | Fitting, Straight ORFS/ORB | |
| 25 | 2130604 | 1 | Fitting, 90 ORFS/OBS | |
| 26 | 2130406 | 2 | Fitting, 90 ORFS/OBS | |
| 27 | 2150406 | 2 | Fitting, 45 ORFS/ORB | |
| 28 | 2110812 | 4 | Fitting, Straight ORFS/OBS | |
| 29 | 2170408 | 2 | Fitting, Tee ORFS/ORFS/OBS | |
| 30 | 2170504 | 2 | Fitting, Tee ORFS | |
| 31 | 2220237 | 1 | Plug | |
| 32 | 2752434 | 1 | Hose | |
| 33 | 2752997 | 1 | Hose | |
| 34 | 2751399 | 1 | Hose | |
| 35 | 2752754 | 1 | Hose | |
| 36 | 1001188135 | 1 | Hose | |
| 37 | 2751500 | 1 | Hose | |
| 38 | 2752938 | 1 | Hose | |
| 39 | 2753656 | 2 | Hose | |
| 40 | 1001156332 | 1 | Hose | |
| 41 | 1001156333 | 1 | Hose | |
| 42 | 2220451 | 1 | Fitting, Straight JIC/ORB | |
| 43 | 2170706 | 2 | Fitting, Tee - ORFS/ORFS/ORFS | |
| 44 | 1001106957 | 2 | Hose | |
| 47 | 2754337 | 2 | Hose | |
| 48 | 2753622 | 1 | Hose | |
| 49 | 2753542 | 1 | Hose | |
| 50 | 2753626 | 1 | Hose | |
| 51 | 2753686 | 2 | Hose | |
| 52 | 2754720 | 2 | Hose | |

SECTION 7 - HYDRAULIC

| ITEM | PART NUMBER | QTY | DESCRIPTION | REV |
|------|-------------|-----|-----------------------------|-----|
| 53 | 2754743 | 4 | Hose | |
| 54 | 2753971 | 3 | Hose | |
| 55 | 2753634 | 2 | Hose | |
| 57 | 2220940 | 1 | Fitting, 90 ORB/FL | |
| 58 | 2220373 | 2 | Fitting, Straight JIC/ORB | |
| 59 | 2110404 | 2 | Fitting, Straight ORFS/ORB | |
| 60 | 1001159340 | 2 | Hose | |
| 61 | 2220466 | 3 | Fitting, 90 ORB/FL | |
| 62 | 2151616 | 1 | Fitting, 45 ORFS/ORB | |
| 63 | 2754338 | 1 | Hose | |
| 64 | 2220371 | 2 | Fitting, Straight JIC/ORB | |
| 65 | 2753879 | 2 | Hose | |
| 66 | 2170506 | 2 | Fitting, Tee ORFS/ORFS/ORFS | |
| 67 | 2130606 | 3 | Fitting, 90 ORFS/ORB | |
| 68 | 2220473 | 2 | Fitting, 90 ORB/FL | |
| 69 | 2753732 | 2 | Hose | |
| 70 | 2752489 | 2 | Hose | |
| 71 | 1001204269 | 1 | Hose | |
| 72 | 1001198340 | 1 | Hose | |
| 73 | 1001198338 | 1 | Fitting, Tee ORFS/ORB | |
| 74 | 1001215296 | 1 | Fitting, 90 JIC/SORB | |
| 75 | 1001151354 | 1 | Hose | |

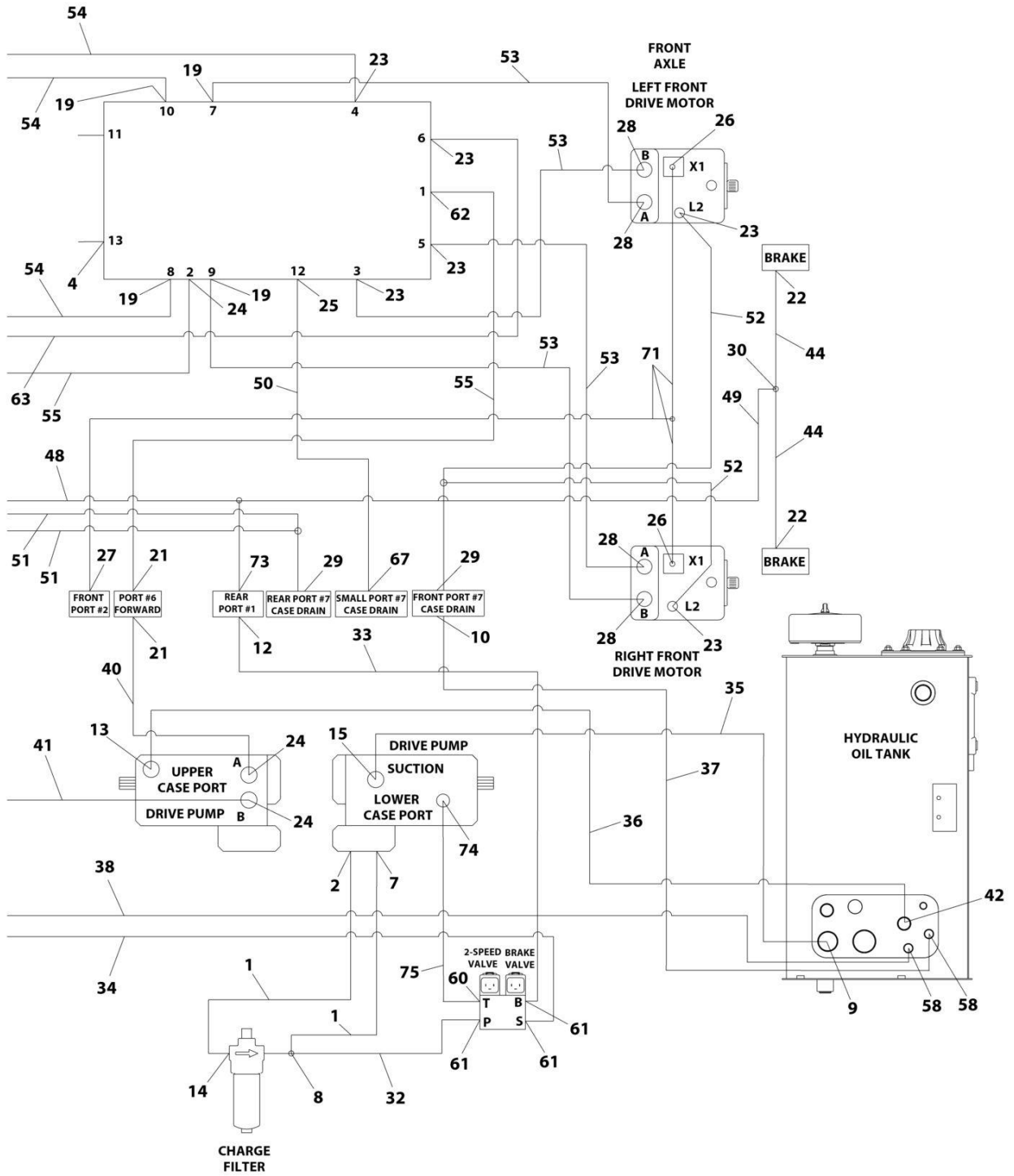
SECTION 7 - HYDRAULIC

FIGURE 7-5. HYDRAULIC DIAGRAM - DRIVE (4WD/2WS WITH TOW PACKAGE/WITH ARCTIC PACKAGE)



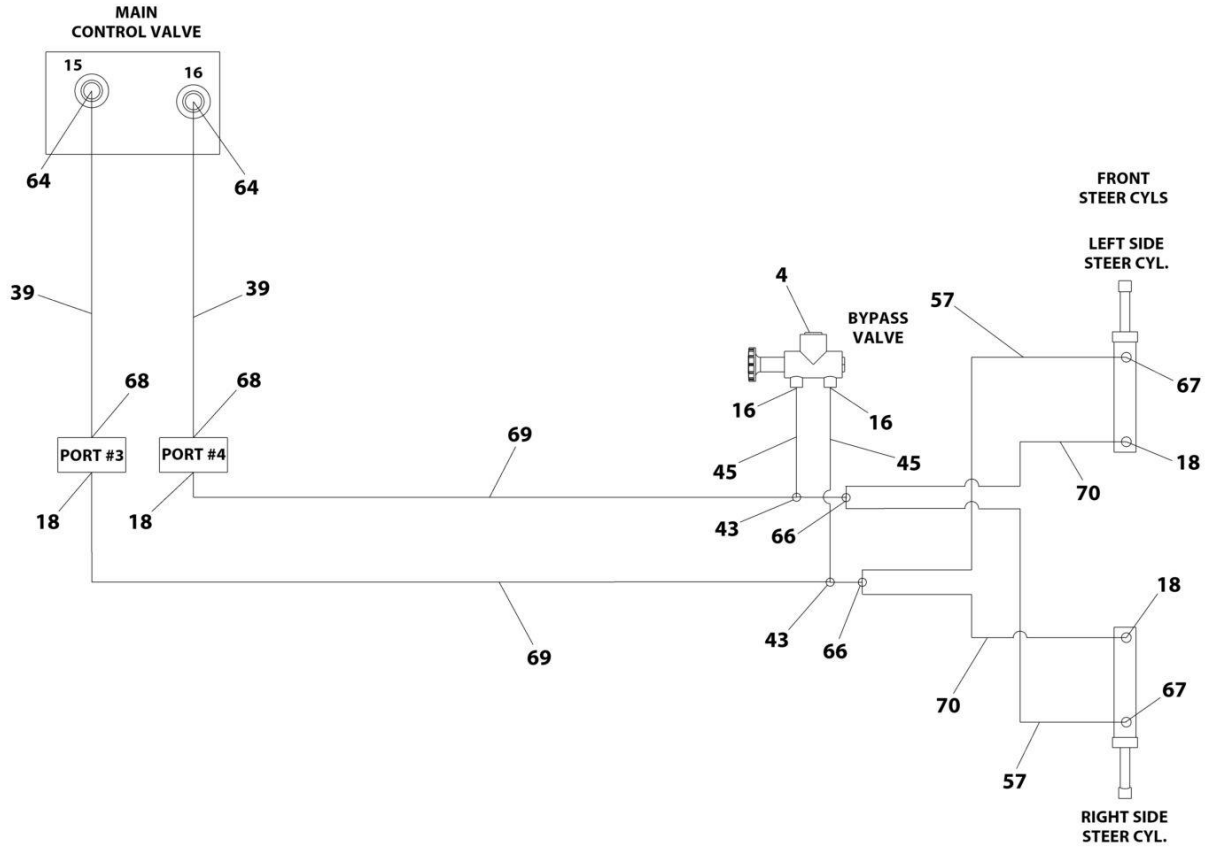
ART_1001217195_10F3

SECTION 7 - HYDRAULIC



ART_1001217195_20F3

SECTION 7 - HYDRAULIC



ART_1001217195_3OF3

SECTION 7 - HYDRAULIC

FIGURE 7-5. HYDRAULIC DIAGRAM - DRIVE (4WD/2WS WITH TOW PACKAGE/WITH ARCTIC PACKAGE)

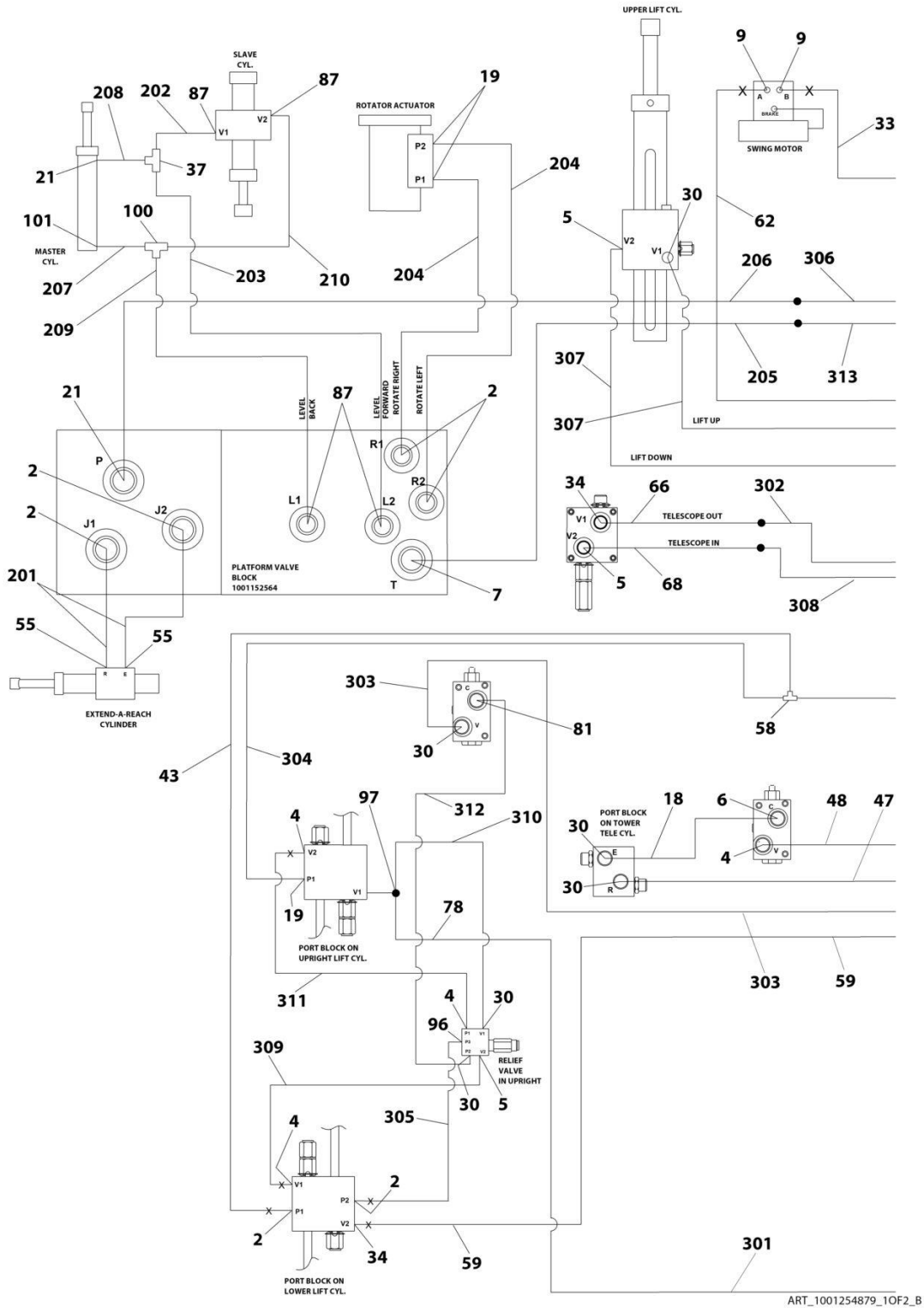
| ITEM | PART NUMBER | QTY | DESCRIPTION | REV |
|------|-------------|-----|-------------------------------------|-----|
| | 1001217195 | Ref | HYDRAULIC DIAGRAM - DRIVE (4WD/2WS) | B |
| 1 | 2752495 | 2 | Hose | |
| 2 | 2220800 | 1 | Fitting, Straight ORB/FL | |
| 3 | 2220582 | 1 | Fitting, Straight ORB/FL | |
| 4 | 2220238 | 2 | Plug | |
| 5 | 2220671 | 1 | Fitting, 90 JIC/ORB | |
| 7 | 2220374 | 1 | Fitting, Straight JIC/ORB | |
| 8 | 1001199394 | 1 | Fitting, Tee JIC/ORB/JIC | |
| 9 | 2220380 | 1 | Fitting, Straight ORB/FL | |
| 10 | 2220375 | 1 | Fitting, Straight ORB/FL | |
| 12 | 2220468 | 1 | Fitting, Straight ORB/FL | |
| 13 | 2220578 | 1 | Fitting, 90 JIC/ORB | |
| 14 | 2220596 | 1 | Fitting, 90 ORB/FL | |
| 15 | 8770050 | 1 | Fitting, 90 JIC/ORB | |
| 16 | 2110608 | 2 | Fitting, Straight ORFS/ORB | |
| 17 | 2110406 | 2 | Fitting, Straight ORFS/ORB | |
| 18 | 2110606 | 4 | Fitting, Straight ORFS/ORB | |
| 19 | 2110808 | 6 | Fitting, Straight ORFS/ORB | |
| 20 | 2110812 | 4 | Fitting, Straight ORFS/OBS | |
| 21 | 2131616 | 4 | Fitting, 90 ORFS/ORB | |
| 22 | 2110404 | 2 | Fitting, Straight ORFS/ORB | |
| 23 | 2130808 | 6 | Fitting, 90 ORFS/ORB | |
| 24 | 2111616 | 3 | Fitting, Straight ORFS/ORB | |
| 25 | 2130604 | 1 | Fitting, 90 ORFS/OBS | |
| 26 | 2130406 | 2 | Fitting, 90 ORFS/OBS | |
| 27 | 2150406 | 2 | Fitting, 45 ORFS/ORB | |
| 28 | 2110812 | 4 | Fitting, Straight ORFS/OBS | |
| 29 | 2170408 | 2 | Fitting, Tee ORFS/ORFS/OBS | |
| 30 | 2170504 | 2 | Fitting, Tee ORFS | |
| 31 | 2220237 | 1 | Plug | |
| 32 | 2752434 | 1 | Hose | |
| 33 | 2752997 | 1 | Hose | |
| 34 | 2751399 | 1 | Hose | |
| 35 | 2752754 | 1 | Hose | |
| 36 | 1001188135 | 1 | Hose | |
| 37 | 2751500 | 1 | Hose | |
| 38 | 2752938 | 1 | Hose | |
| 39 | 2752489 | 2 | Hose | |
| 40 | 1001156332 | 1 | Hose | |
| 41 | 1001156333 | 1 | Hose | |
| 42 | 2220451 | 1 | Fitting, Straight JIC/ORB | |
| 43 | 2170706 | 2 | Fitting, Tee - ORFS/ORFS/ORFS | |
| 44 | 2754512 | 2 | Hose | |
| 45 | 2753879 | 2 | Hose | |
| 47 | 2754337 | 2 | Hose | |
| 48 | 2753622 | 1 | Hose | |
| 49 | 2753542 | 1 | Hose | |
| 50 | 2753626 | 1 | Hose | |
| 51 | 2753686 | 2 | Hose | |

SECTION 7 - HYDRAULIC

| ITEM | PART NUMBER | QTY | DESCRIPTION | REV |
|------|-------------|-----|-----------------------------|-----|
| 52 | 2753628 | 2 | Hose | |
| 53 | 2753970 | 4 | Hose | |
| 54 | 2753971 | 3 | Hose | |
| 55 | 2753634 | 2 | Hose | |
| 57 | 2753656 | 2 | Hose | |
| 58 | 2220373 | 2 | Fitting, Straight JIC/ORB | |
| 59 | 2110404 | 2 | Fitting, Straight ORFS/ORB | |
| 60 | 2220940 | 1 | Fitting, 90 ORB/FL | |
| 61 | 2220466 | 3 | Fitting, 90 ORB/FL | |
| 62 | 2151616 | 1 | Fitting, 45 ORFS/ORB | |
| 63 | 2754338 | 1 | Hose | |
| 64 | 2220371 | 2 | Fitting, Straight JIC/ORB | |
| 66 | 2170506 | 2 | Fitting, Tee ORFS/ORFS/ORFS | |
| 67 | 2130606 | 3 | Fitting, 90 ORFS/ORB | |
| 68 | 2220473 | 2 | Fitting, 90 ORB/FL | |
| 69 | 2753732 | 2 | Hose | |
| 70 | 1001159340 | 2 | Hose | |
| 71 | 1001198341 | 1 | Hose | |
| 72 | 1001198340 | 1 | Hose | |
| 73 | 1001198338 | 1 | Fitting, Tee ORFS/ORB | |
| 74 | 1001215296 | 1 | Fitting, 90 JIC/SORB | |
| 75 | 1001151354 | 1 | Hose | |

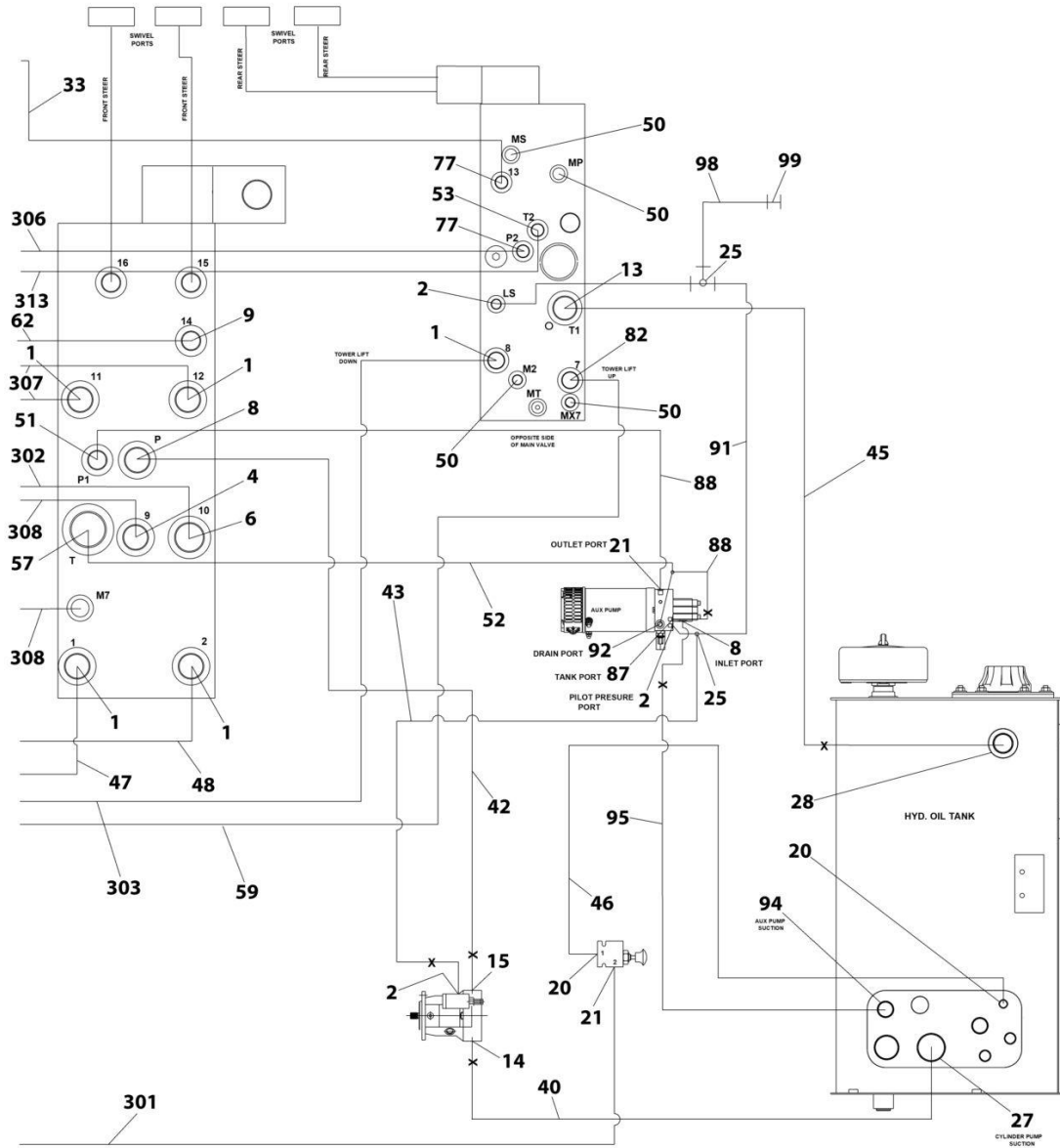
SECTION 7 - HYDRAULIC

FIGURE 7-6. HYDRAULIC DIAGRAM - STANDARD



ART_1001254879_10F2_B

SECTION 7 - HYDRAULIC



ART_1001254879_20F2_B

SECTION 7 - HYDRAULIC

FIGURE 7-6. HYDRAULIC DIAGRAM - STANDARD

| ITEM | PART NUMBER | QTY | DESCRIPTION | REV |
|------|-------------|-----|--|-----|
| | 1001254879 | Ref | STANDARD HYDRAULIC DIAGRAM | B |
| 1 | 2220381 | 5 | Fitting, Straight ORB/FL | |
| 2 | 2220415 | 9 | Fitting, Straight ORB/FL | |
| 3 | 2753442 | 2 | Hose | |
| 4 | 2220373 | 5 | Fitting, Straight ORB/FL | |
| 5 | 2220500 | 3 | Fitting, 45 ORB/FL | |
| 6 | 2220947 | 2 | Fitting, Straight ORB/FL | |
| 7 | 2220600 | 1 | Fitting, Straight JIC/ORB | |
| 8 | 2220593 | 2 | Fitting, Straight ORB/FL | |
| 9 | 2220371 | 3 | Fitting, Straight ORB/FL | |
| 13 | 1001179329 | 1 | Fitting, Straight JIC/ORB | |
| 14 | 2220737 | 1 | Split Flange Kit #24 | |
| 15 | 2220478 | 1 | Split Flange Kit #16 | |
| 18 | 2753200 | 1 | Hose | |
| 19 | 2220466 | 3 | Fitting, 90 ORB/FL | |
| 20 | 2220582 | 2 | Fitting, Straight JIC/ORB | |
| 21 | 2220473 | 4 | Fitting, 90 ORB/FL | |
| 25 | 2220605 | 2 | Fitting, Tee FL/FL | |
| 27 | 2220765 | 1 | Fitting, Straight ORB/FL | |
| 28 | 2220377 | 1 | Fitting, Straight JIC/ORB | |
| 30 | 2220596 | 6 | Fitting, 90 ORB/FL | |
| 33 | 2752461 | 1 | Hose | |
| 34 | 2220852 | 2 | Fitting, Straight ORB/FL | |
| 37 | 2220490 | 1 | Fitting, Tee FL/FL | |
| 40 | 1001179079 | 1 | Hose | |
| 42 | 2753231 | 1 | Hose | |
| 43 | 2753010 | 2 | Hose | |
| 45 | 2752723 | 1 | Hose | |
| 46 | 2753274 | 1 | Hose | |
| 47 | 2753192 | 1 | Hose | |
| 48 | 2752494 | 1 | Hose | |
| 50 | 2221086 | 4 | Fitting, Diagnostic Test Port, EM3A | |
| 51 | 4640780 | 1 | Fitting, Check Valve | |
| 52 | 2753118 | 1 | Hose | |
| 53 | 1001136881 | 1 | Fitting, 45 ORB/FG | |
| 55 | 2220472 | 2 | Fitting, 90 ORB/FL (800AJ) | |
| 57 | 2220577 | 1 | Fitting, Straight ORB/FL | |
| 58 | 2221034 | 1 | Fitting, Tee FL/FL/ORB | |
| 59 | 2752768 | 1 | Hose | |
| 62 | 2752484 | 1 | Hose | |
| 66 | 2752767 | 1 | Hose | |
| 68 | 2753190 | 1 | Hose | |
| 77 | 2220501 | 2 | Fitting, 45 ORB/FL | |
| 78 | 4567757 | 1 | Tube | |
| 79 | 4100062 | 4 | Protection, Hose (Not Shown - Located at Tower Boom Power Track) | |
| 81 | 2221036 | 1 | Fitting, 90 ORB/FL | |
| 82 | 2220950 | 1 | Fitting, 45 ORB/FL | |
| 87 | 2220603 | 5 | Fitting, Straight ORB/FL | |
| 88 | 1001109690 | 2 | Hose | |

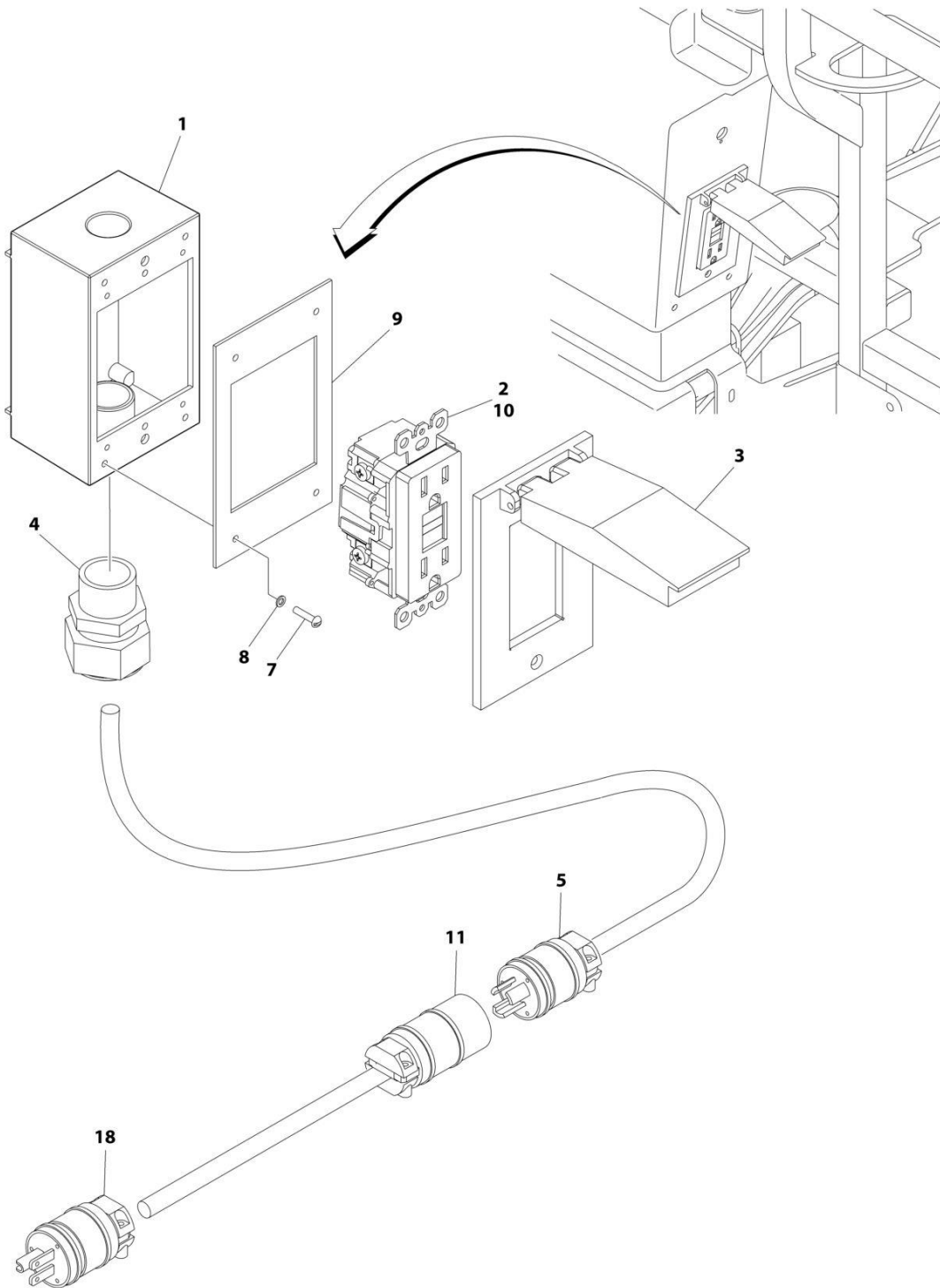
SECTION 7 - HYDRAULIC

| ITEM | PART NUMBER | QTY | DESCRIPTION | REV |
|------|-------------|-----|--|-----|
| 91 | 2752434 | 1 | Hose | |
| 92 | 2220899 | 1 | Fitting, Tee ORB/FL/FL | |
| 94 | 2220451 | 1 | Fitting, Straight JIC/ORB | |
| 95 | 1001149410 | 1 | Hose | |
| 96 | 2220468 | 1 | Fitting, Straight JIC/ORB | |
| 97 | 1001215289 | 1 | Fitting, Tee JIC/ORB/JIC | |
| 98 | 2752995 | 1 | Hose | |
| 99 | 91143177 | 1 | Fitting - Diagnostic Test Port | |
| 100 | 2220362 | 1 | Fitting, Tee FL/FL/FL | |
| 101 | 2220726 | 1 | Adapter, 90 SJIC/ORB | |
| 102 | 1001257430 | 2 | Cover, Hose | |
| 103 | 4240032 | 1 | Tie-Strap (Not Shown) | |
| 200 | 1001256059 | 1 | Upper Boom Hose Kit (Includes Items 201-210) (Not Shown) | |
| 202 | 1001119602 | 1 | Hose | |
| 203 | 1001155673 | 1 | Hose | |
| 204 | 1001159707 | 2 | Hose | |
| 205 | 1001254846 | 1 | Hose | |
| 206 | 1001254847 | 1 | Hose | |
| 207 | 1001259466 | 1 | Hose | |
| 208 | 1001259467 | 1 | Hose | |
| 209 | 1001259468 | 1 | Hose | |
| 210 | 1001259470 | 1 | Hose | |
| 300 | 1001259481 | 1 | Lower Boom Hose Kit (Includes Items 301-313) (Not Shown) | |
| 301 | 2752468 | 1 | Hose | |
| 302 | 2752766 | 1 | Hose | |
| 303 | 2752930 | 1 | Hose | |
| 304 | 2752978 | 1 | Hose | |
| 305 | 2753008 | 1 | Hose | |
| 306 | 2753123 | 1 | Hose | |
| 307 | 2753189 | 2 | Hose | |
| 308 | 2753191 | 1 | Hose | |
| 309 | 2753195 | 1 | Hose | |
| 310 | 2753196 | 1 | Hose | |
| 311 | 2753197 | 1 | Hose | |
| 312 | 2753199 | 1 | Hose | |
| 313 | 1001182162 | 1 | Hose | |

SECTION 8 - ELECTRICAL

SECTION 8 - ELECTRICAL

FIGURE 8-1. AC BOX AT PLATFORM INSTALLATION - 110V GFI RECEPTACLE (ALL SPECS EXCEPT AUSTRALIAN & CE SPECS)



ART_0272259

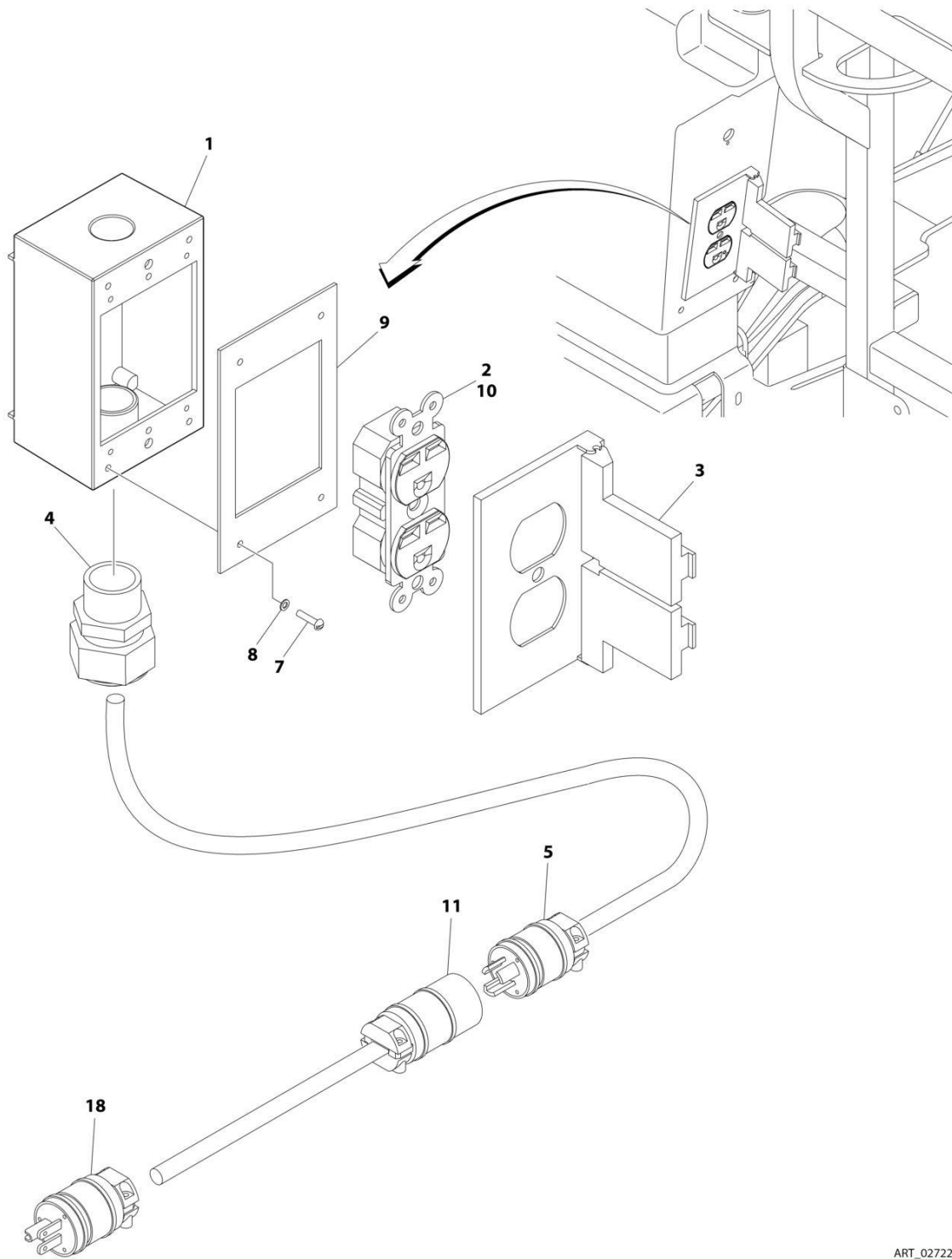
SECTION 8 - ELECTRICAL

FIGURE 8-1. AC BOX AT PLATFORM INSTALLATION - 110V GFI RECEPTACLE (ALL SPECS EXCEPT AUSTRALIAN & CE SPECS)

| ITEM | PART NUMBER | QTY | DESCRIPTION | REV |
|------|-------------|-----|---|-----|
| | 0272259 | Ref | AC BOX AT PLATFORM INSTALLATION - 110V GFI RECEPTACLE | C |
| 1 | 0860038 | 1 | Box, Switch | |
| 2 | 4460346 | 1 | Receptacle | |
| 3 | 1001110873 | 1 | Shield, Cover | |
| 4 | 4460051 | 1 | Connector, Strain Relief | |
| 5 | 1001213584 | 1 | Plug, Male | |
| 7 | 3910610 | 4 | Screw #6 x 5/8 | |
| 8 | 4760600 | 4 | Washer #6 | |
| 9 | 3960422 | 1 | Gasket | |
| 10 | 4460315 | 3 | Terminal, Spade | |
| 11 | 1001213585 | 1 | Receptacle, Female | |
| 18 | 4460205 | 1 | Plug, Male | |

SECTION 8 - ELECTRICAL

FIGURE 8-2. AC BOX AT PLATFORM INSTALLATION - 220V (ANSI, CSA & JAPANESE SPECS)



ART_0272260

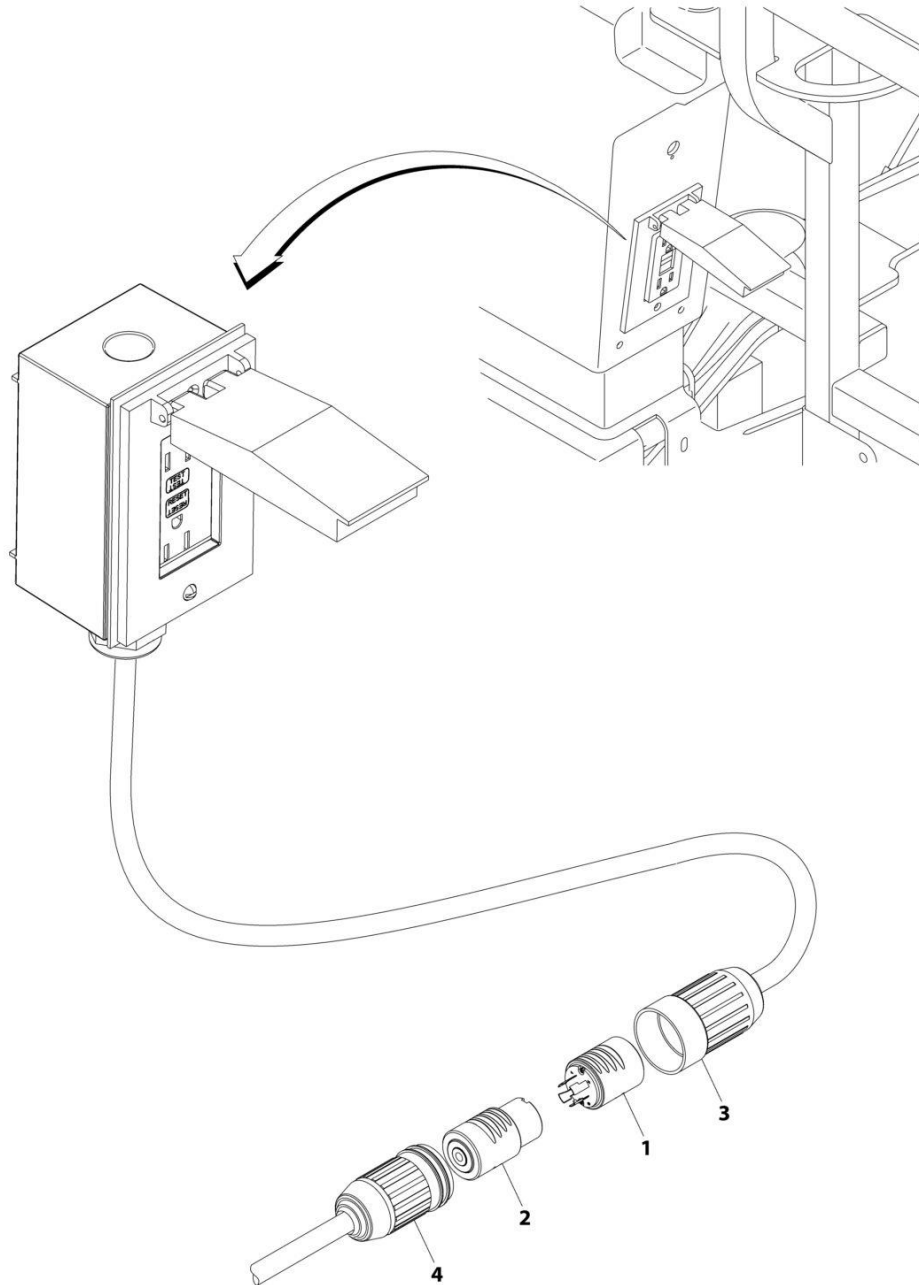
SECTION 8 - ELECTRICAL

FIGURE 8-2. AC BOX AT PLATFORM INSTALLATION - 220V (ANSI, CSA & JAPANESE SPECS)

| ITEM | PART NUMBER | QTY | DESCRIPTION | REV |
|------|-------------|-----|--|-----|
| | 0272260 | Ref | AC BOX AT PLATFORM INSTALLATION - 220V | C |
| 1 | 0860038 | 1 | Box, Switch | |
| 2 | 4460125 | 1 | Receptacle | |
| 3 | 4060092 | 1 | Shield | |
| 4 | 4460051 | 1 | Connector, Strain Relief | |
| 5 | 1001213584 | 2 | Plug, Male | |
| 7 | 3910610 | 4 | Screw #6 x 5/8 | |
| 8 | 4760600 | 4 | Washer #6 | |
| 9 | 3960422 | 1 | Gasket | |
| 10 | 4460315 | 1 | Terminal, Spade | |
| 11 | 1001213585 | 1 | Receptacle, Female | |
| 18 | 4460233 | 1 | Plug, Male | |

SECTION 8 - ELECTRICAL

FIGURE 8-3. AC BOX AT PLATFORM MID-BOOM PLUG INSTALLATION (WITH 4000W/60HZ GENERATOR) (ANSI, ANSI EXPORT, CHINA, CSA & JAPANESE SPECS)



ART_1001160272

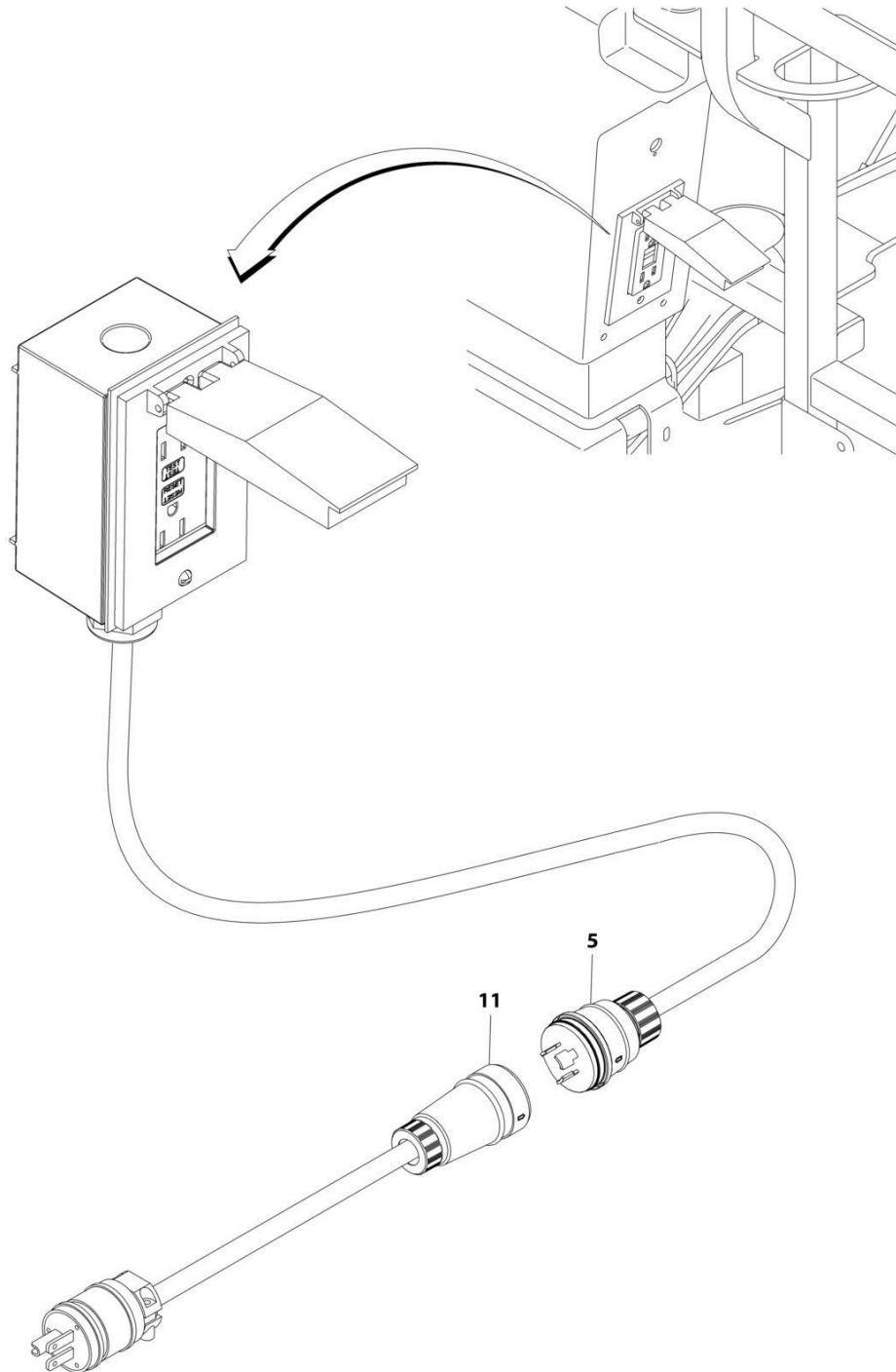
SECTION 8 - ELECTRICAL

FIGURE 8-3. AC BOX AT PLATFORM MID-BOOM PLUG INSTALLATION (WITH 4000W/60HZ GENERATOR) (ANSI, ANSI EXPORT, CHINA, CSA & JAPANESE SPECS)

| ITEM | PART NUMBER | QTY | DESCRIPTION | REV |
|------|-------------|-----|---|-----|
| | 1001160272 | Ref | AC CABLE CONNECTOR INSTALLATION – 4000W GENERATOR | A |
| 1 | 4460962 | 1 | Plug, Male | |
| 2 | 4460963 | 1 | Connector | |
| 3 | 1671092 | 1 | Cover | |
| 4 | 1671093 | 1 | Plug | |

SECTION 8 - ELECTRICAL

FIGURE 8-4. AC BOX AT PLATFORM MID-BOOM PLUG INSTALLATION (WITHOUT 7500W SKYPOWER GENERATOR) (ALL SPECS EXCEPT ANSI & CSA SPECS)



ART_0256202

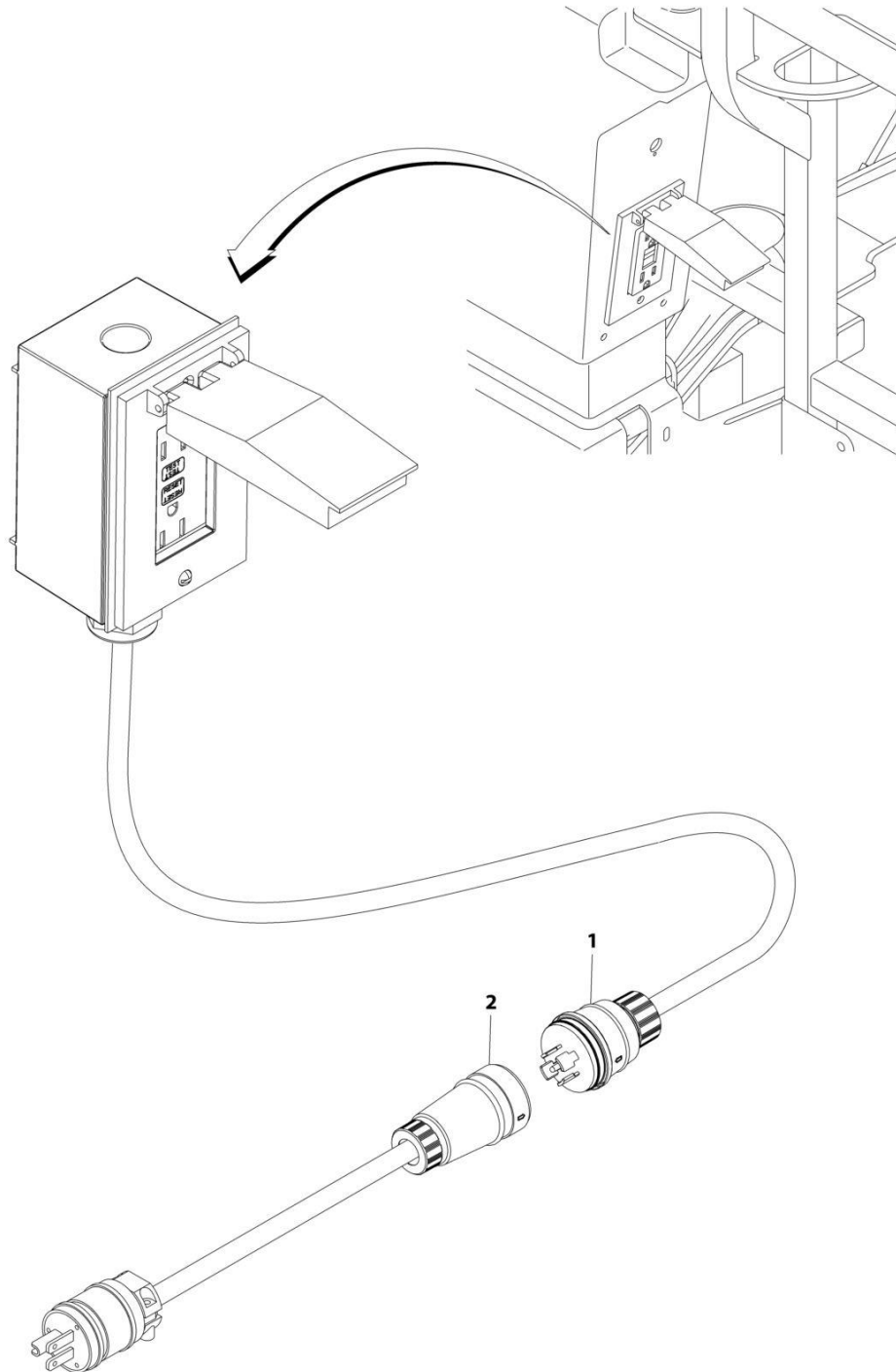
SECTION 8 - ELECTRICAL

FIGURE 8-4. AC BOX AT PLATFORM MID-BOOM PLUG INSTALLATION (WITHOUT 7500W SKYPOWER GENERATOR) (ALL SPECS EXCEPT ANSI & CSA SPECS)

| ITEM | PART NUMBER | QTY | DESCRIPTION | REV |
|------|-------------|-----|---|-----|
| | 0256202 | Ref | AC BOX AT PLATFORM MID-BOOM PLUG INSTALLATION | D |
| 5 | 1001213584 | 1 | Plug | |
| 11 | 1001213585 | 1 | Receptacle | |

SECTION 8 - ELECTRICAL

FIGURE 8-5. AC BOX AT PLATFORM MID-BOOM PLUG INSTALLATION (WITH 7500W SKYPOWER GENERATOR)



ART_0272433

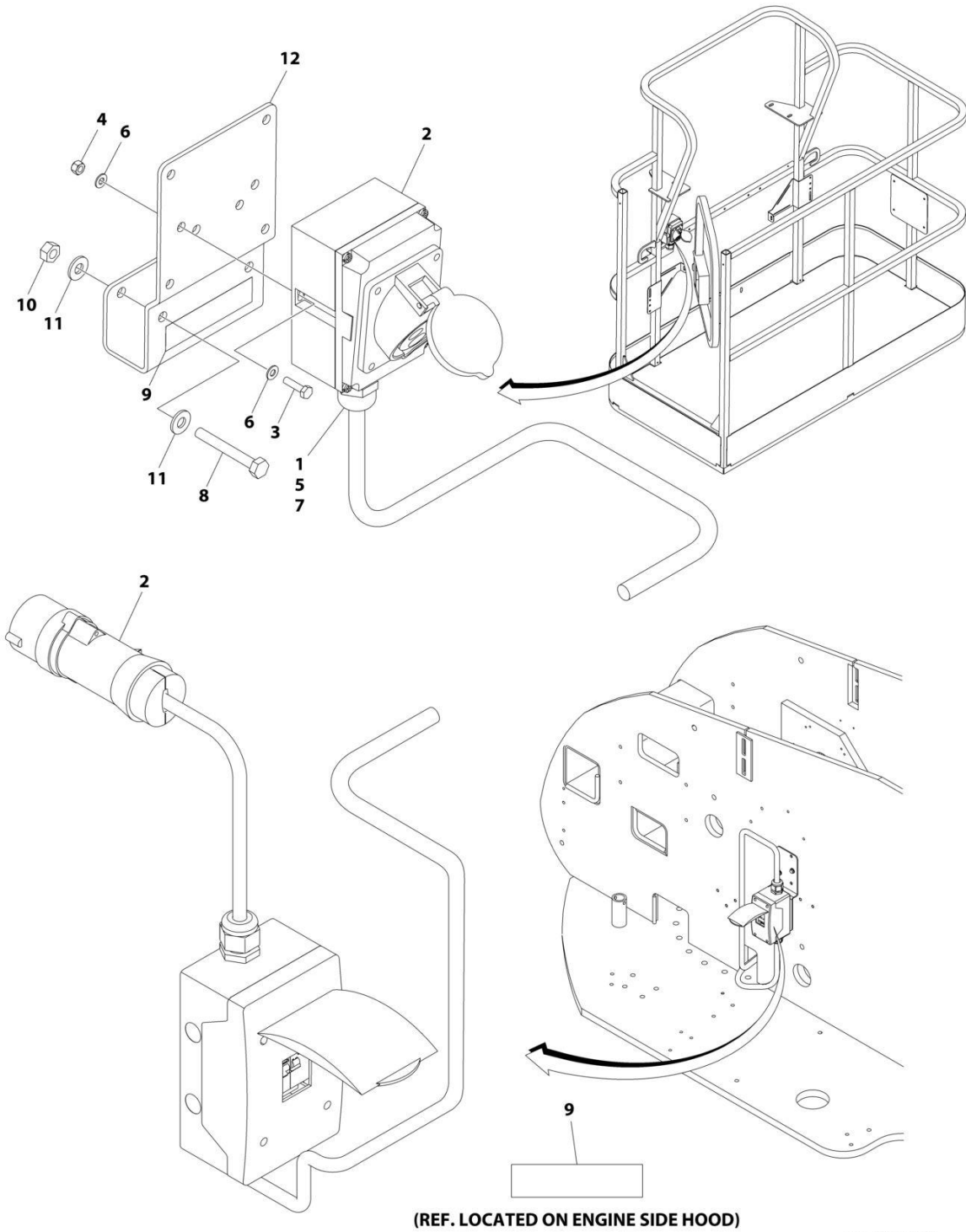
SECTION 8 - ELECTRICAL

FIGURE 8-5. AC BOX AT PLATFORM MID-BOOM PLUG INSTALLATION (WITH 7500W SKYPOWER GENERATOR)

| ITEM | PART NUMBER | QTY | DESCRIPTION | REV |
|------|-------------|-----|-----------------------------------|-----|
| | 0272433 | Ref | AC CABLE INSTALLATION - 110V/220V | D |
| 1 | 1001218622 | 1 | Plug, Male | |
| 2 | 1001218623 | 1 | Plug, Female | |

SECTION 8 - ELECTRICAL

FIGURE 8-6. AC BOX AT PLATFORM INSTALLATION - 110V IEC YELLOW (CE SPECS) (MACHINES WITH 2500W GENERATOR OR NO GENERATOR OPTION)



ART_1001091969

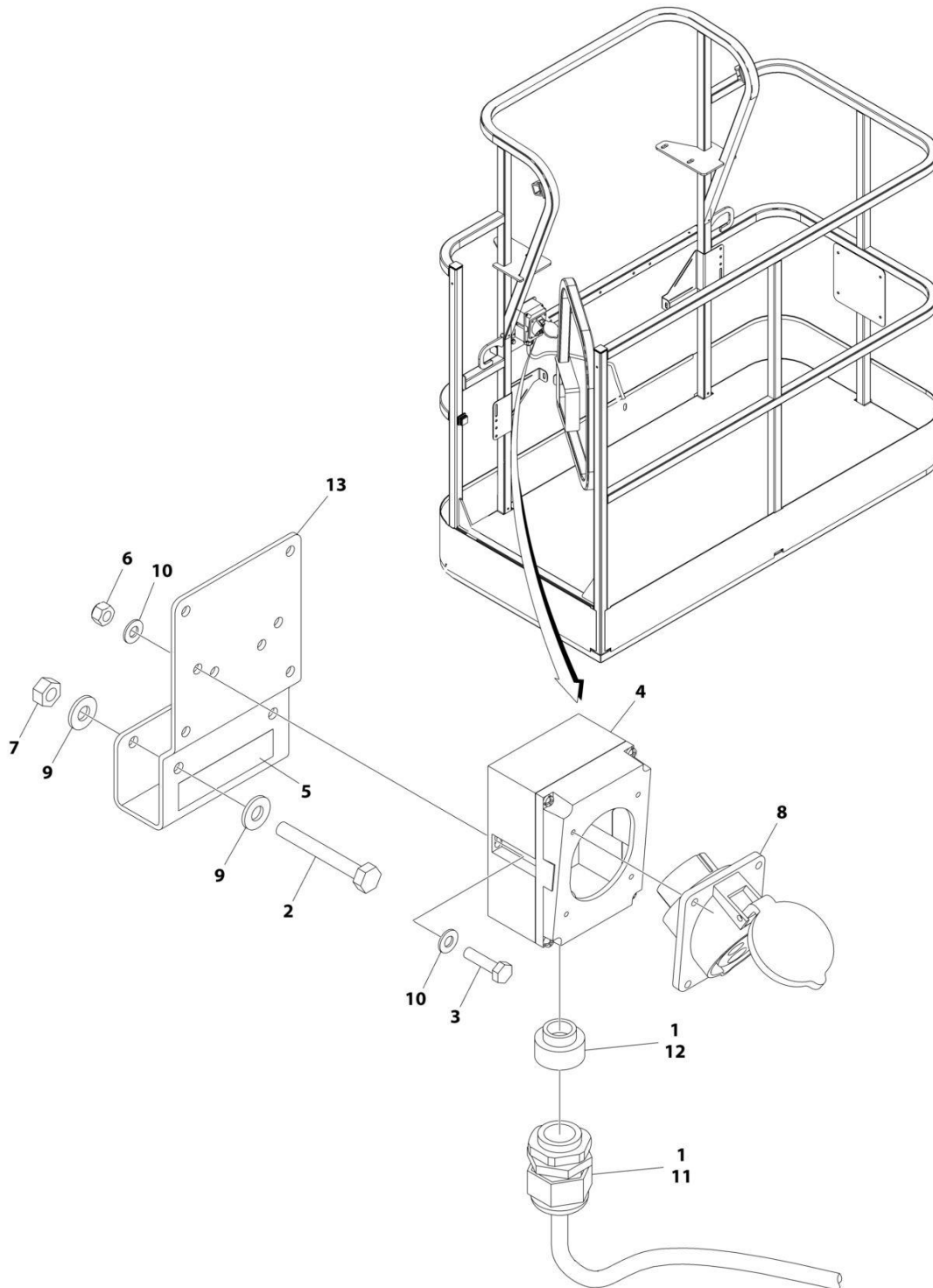
SECTION 8 - ELECTRICAL

FIGURE 8-6. AC BOX AT PLATFORM INSTALLATION - 110V IEC YELLOW (CE SPECS) (MACHINES WITH 2500W GENERATOR OR NO GENERATOR OPTION)

| ITEM | PART NUMBER | QTY | DESCRIPTION | REV |
|------|-------------|-----|---|-----|
| | 1001091969 | Ref | AC BOX AT PLATFORM INSTALLATION - 110V IEC YELLOW | D |
| 1 | 0100020 | AR | Sealant, Pipe | |
| 2 | 0275216 | 1 | Receptacle Box Kit (See Separate Breakdown in this Section) | |
| 3 | 0700408 | 2 | Bolt M4 x 16 | |
| 4 | 3290405 | 2 | Nut M4 | |
| 5 | 1001101196 | 1 | Adapter | |
| 6 | 4811400 | 4 | Washer M4 | |
| 7 | 1001101191 | 1 | Connector, Strain Relief | |
| 8 | 0641416 | 2 | Bolt 1/4 x 2 | |
| 9 | 1705325 | 2 | Decal - 110V | |
| 10 | 3311405 | 2 | Nut 1/4 | |
| 11 | 4711400 | 4 | Washer 1/4 | |
| 12 | 1001193018 | 1 | Bracket | |

SECTION 8 - ELECTRICAL

FIGURE 8-7. AC BOX AT PLATFORM INSTALLATION - 110V IEC YELLOW (CE SPECS) (MACHINES WITH 4000W GENERATOR)



ART_1001206253

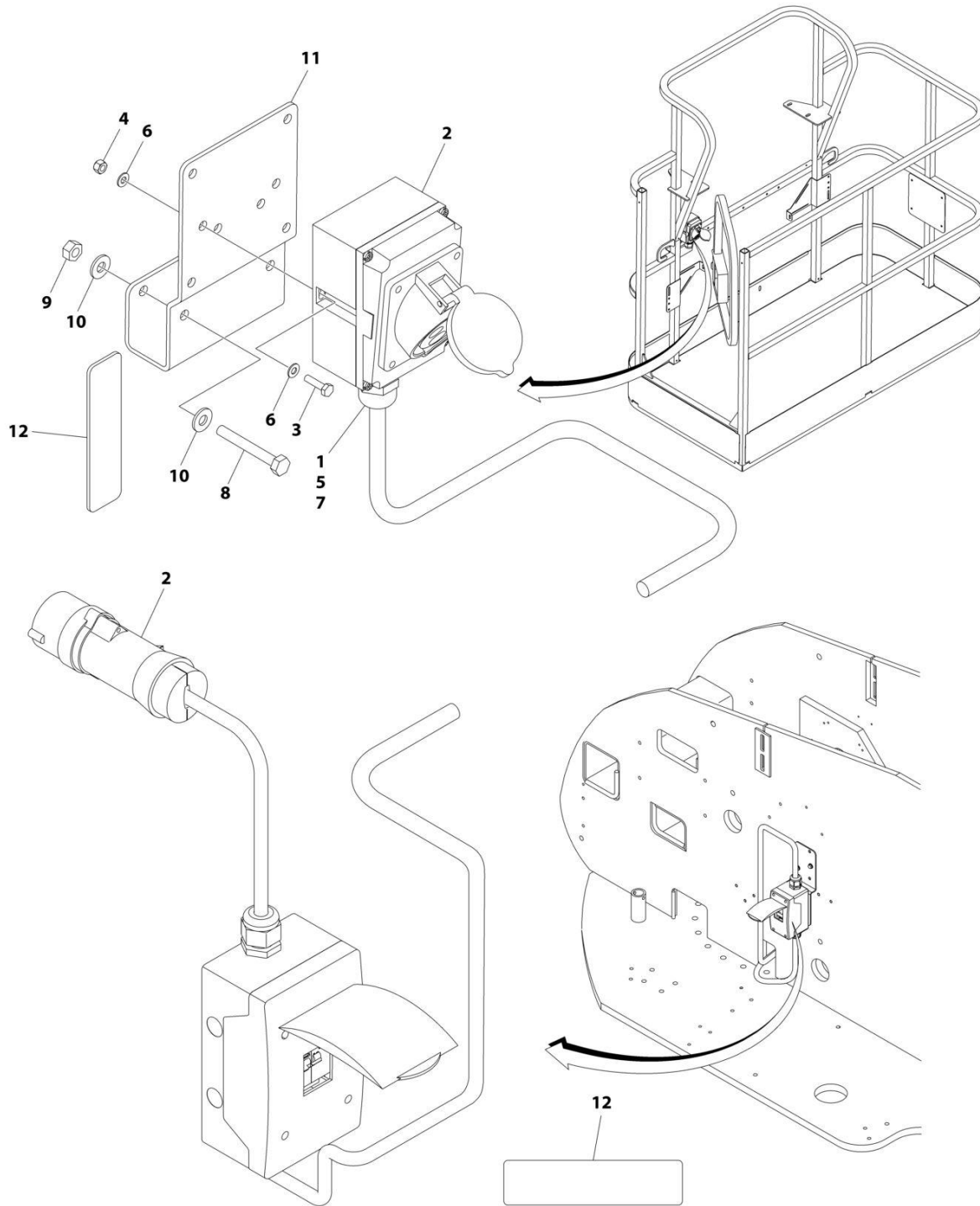
SECTION 8 - ELECTRICAL

FIGURE 8-7. AC BOX AT PLATFORM INSTALLATION - 110V IEC YELLOW (CE SPECS) (MACHINES WITH 4000W GENERATOR)

| ITEM | PART NUMBER | QTY | DESCRIPTION | REV |
|------|-------------|-----|---|-----|
| | 1001206253 | Ref | AC BOX AT PLATFORM INSTALLATION - 110V IEC 60309 YELLOW WITHOUT 4000W GENERATOR | A |
| 1 | 0100020 | AR | Sealant, Pipe | |
| 2 | 0641416 | 2 | Bolt 1/4 x 2 | |
| 3 | 0700408 | 2 | Bolt M4 x 16 | |
| 4 | 0861781 | 1 | Box, Switch | |
| 5 | 1705325 | 1 | Decal - 110V | |
| 6 | 3290405 | 2 | Nut M4 | |
| 7 | 3311405 | 2 | Nut 1/4 | |
| 8 | 4461198 | 1 | Receptacle | |
| 9 | 4711400 | 4 | Washer 1/4 | |
| 10 | 4811400 | 4 | Washer M4 | |
| 11 | 1001101191 | 1 | Connector, Strain Relief | |
| 12 | 1001101196 | 1 | Adapter | |
| 13 | 1001193018 | 1 | Bracket, AC Receptacle | |

SECTION 8 - ELECTRICAL

FIGURE 8-8. AC BOX AT PLATFORM INSTALLATION - 220V IEC BLUE (CE SPECS) (MACHINES WITH 2500W GENERATOR OR NO GENERATOR OPTION)



(REF. LOCATED ON ENGINE SIDE HOOD)

ART_1001091970

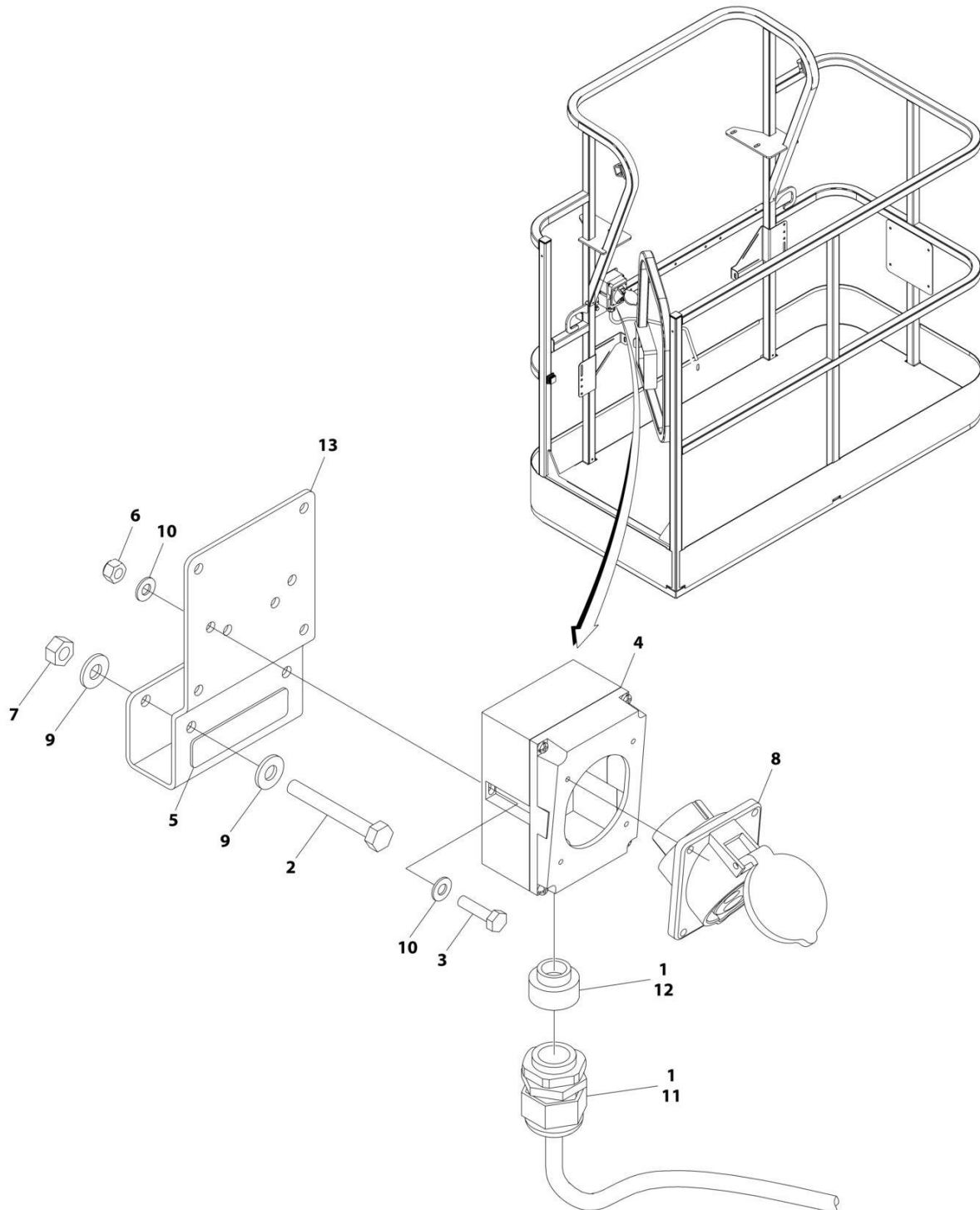
SECTION 8 - ELECTRICAL

FIGURE 8-8. AC BOX AT PLATFORM INSTALLATION - 220V IEC BLUE (CE SPECS) (MACHINES WITH 2500W GENERATOR OR NO GENERATOR OPTION)

| ITEM | PART NUMBER | QTY | DESCRIPTION | REV |
|------|-------------|-----|---|-----|
| | 1001091970 | Ref | AC BOX AT PLATFORM INSTALLATION - 220V IEC BLUE | D |
| 1 | 0100020 | AR | Sealant, Pipe | |
| 2 | 0275217 | 1 | Receptacle Box Kit (See Separate Breakdown in this Section) | |
| 3 | 0700408 | 2 | Bolt M4 x 16 | |
| 4 | 3290405 | 2 | Nut M4 | |
| 5 | 1001101196 | 1 | Adapter | |
| 6 | 4811400 | 4 | Washer M4 | |
| 7 | 1001101191 | 1 | Connector, Strain Relief | |
| 8 | 0641416 | 2 | Bolt 1/4 x 2 | |
| 9 | 3311405 | 2 | Nut 1/4 | |
| 10 | 4711400 | 4 | Washer 1/4 | |
| 11 | 1001193018 | 1 | Bracket | |
| 12 | 3251242 | 2 | Decal - 240V/50Hz | |

SECTION 8 - ELECTRICAL

FIGURE 8-9. AC BOX AT PLATFORM INSTALLATION - 220V IEC BLUE (CE SPECS) (MACHINES WITH 4000W GENERATOR)



ART_1001206254

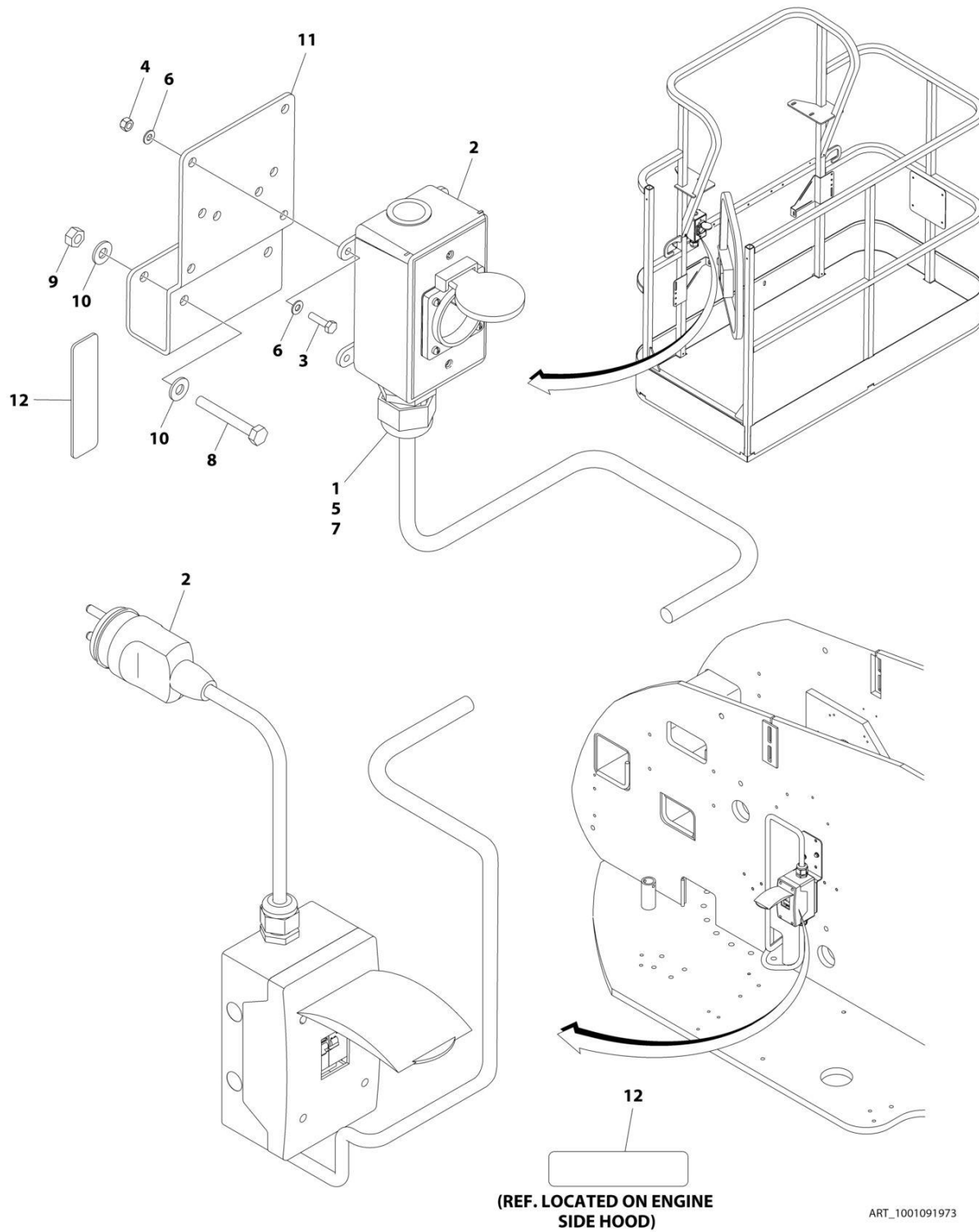
SECTION 8 - ELECTRICAL

FIGURE 8-9. AC BOX AT PLATFORM INSTALLATION - 220V IEC BLUE (CE SPECS) (MACHINES WITH 4000W GENERATOR)

| ITEM | PART NUMBER | QTY | DESCRIPTION | REV |
|------|-------------|-----|---|-----|
| | 1001206254 | Ref | AC BOX AT PLATFORM INSTALLATION - 220V IEC BLUE | A |
| 1 | 0100020 | AR | Sealant, Pipe | |
| 2 | 0641416 | 2 | Bolt 1/4 x 2 | |
| 3 | 0700408 | 2 | Bolt M4 x 16 | |
| 4 | 0861781 | 1 | Box, Switch | |
| 5 | 3251242 | 1 | Decal - 240V/50Hz | |
| 6 | 3290405 | 2 | Nut M4 | |
| 7 | 3311405 | 2 | Nut 1/4 | |
| 8 | 4461201 | 1 | Receptacle | |
| 9 | 4711400 | 4 | Washer 1/4 | |
| 10 | 4811400 | 4 | Washer M4 | |
| 11 | 1001101191 | 1 | Connector, Strain Relief | |
| 12 | 1001101196 | 1 | Adapter | |
| 13 | 1001193018 | 1 | Bracket, AC Receptacle | |

SECTION 8 - ELECTRICAL

**FIGURE 8-10. AC BOX AT PLATFORM INSTALLATION - 220V CEE7 POST GROUND (CE SPECS)
(MACHINES WITH 2500W GENERATOR OR NO GENERATOR OPTION)**



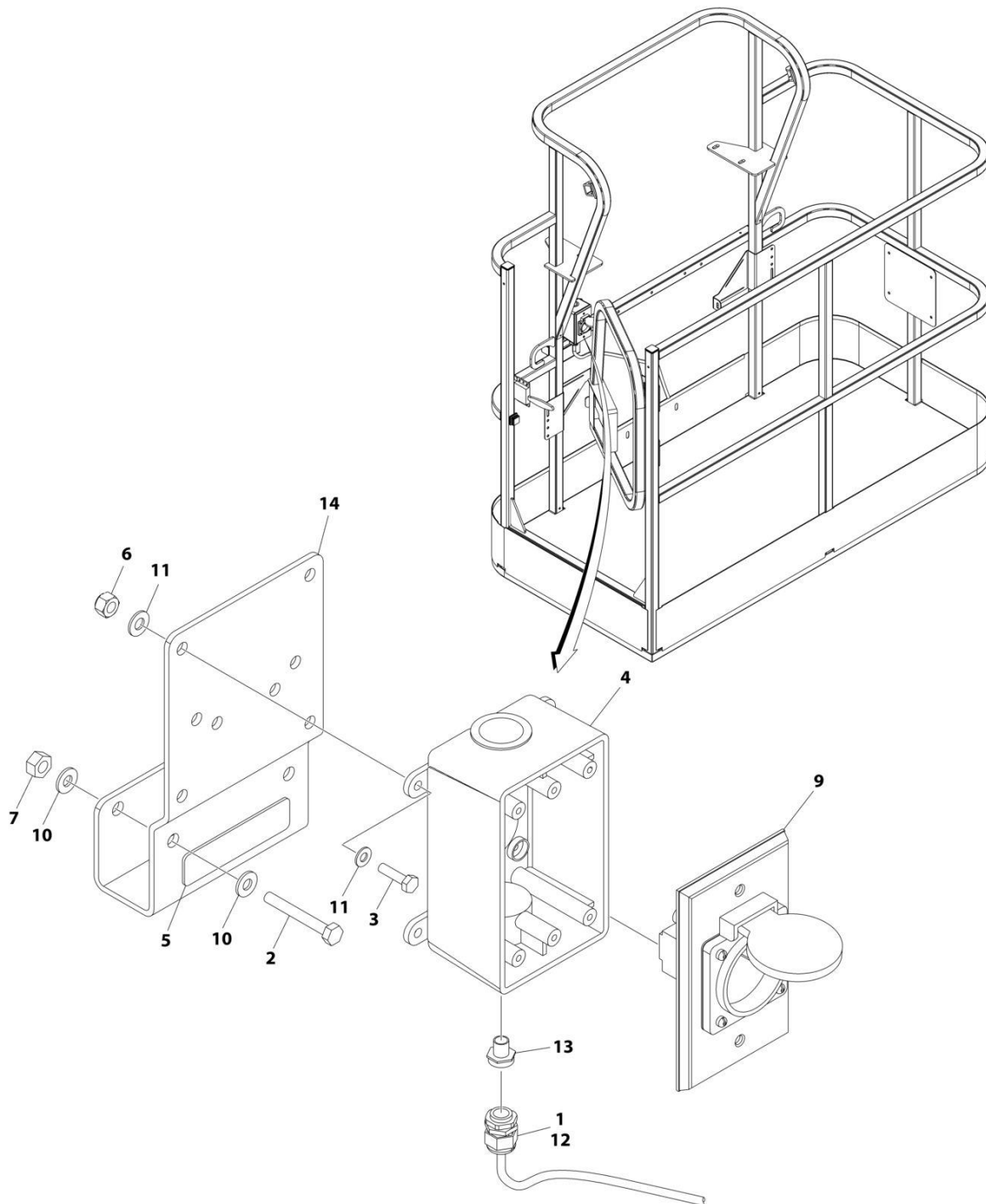
SECTION 8 - ELECTRICAL

**FIGURE 8-10. AC BOX AT PLATFORM INSTALLATION - 220V CEE7 POST GROUND (CE SPECS)
(MACHINES WITH 2500W GENERATOR OR NO GENERATOR OPTION)**

| ITEM | PART NUMBER | QTY | DESCRIPTION | REV |
|------|-------------|-----|--|-----|
| | 1001091973 | Ref | AC BOX AT PLATFORM INSTALLATION - 220V CEE7 2X4 BOX POST GROUND | F |
| 1 | 0100020 | AR | Sealant, Pipe | |
| 2 | 0275452 | 1 | Receptacle Box Kit (See Separate Breakdown in this Section) | |
| 3 | 0700408 | 4 | Bolt M4 x 16 | |
| 4 | 3290405 | 4 | Nut M4 | |
| 5 | 1001101197 | 1 | Adapter | |
| 6 | 4811400 | 8 | Washer M4 | |
| 7 | 1001101191 | 1 | Connector, Strain Relief | |
| 8 | 0641416 | 2 | Bolt 1/4 x 2 | |
| 9 | 3311405 | 2 | Nut 1/4 | |
| 10 | 4711400 | 4 | Washer 1/4 | |
| 11 | 1001193018 | 1 | Bracket | |
| 12 | 3251242 | 2 | Decal - 240V/50Hz | |
| 13 | 4460806 | 2 | Terminal, Fork (Not Shown) | |
| 14 | 1001205958 | 1 | Terminal (Not Shown) | |

SECTION 8 - ELECTRICAL

**FIGURE 8-11. AC BOX AT PLATFORM INSTALLATION - 220V CEE7 POST GROUND (CE SPECS)
(MACHINES WITH 4000W GENERATOR)**



ART_1001206250

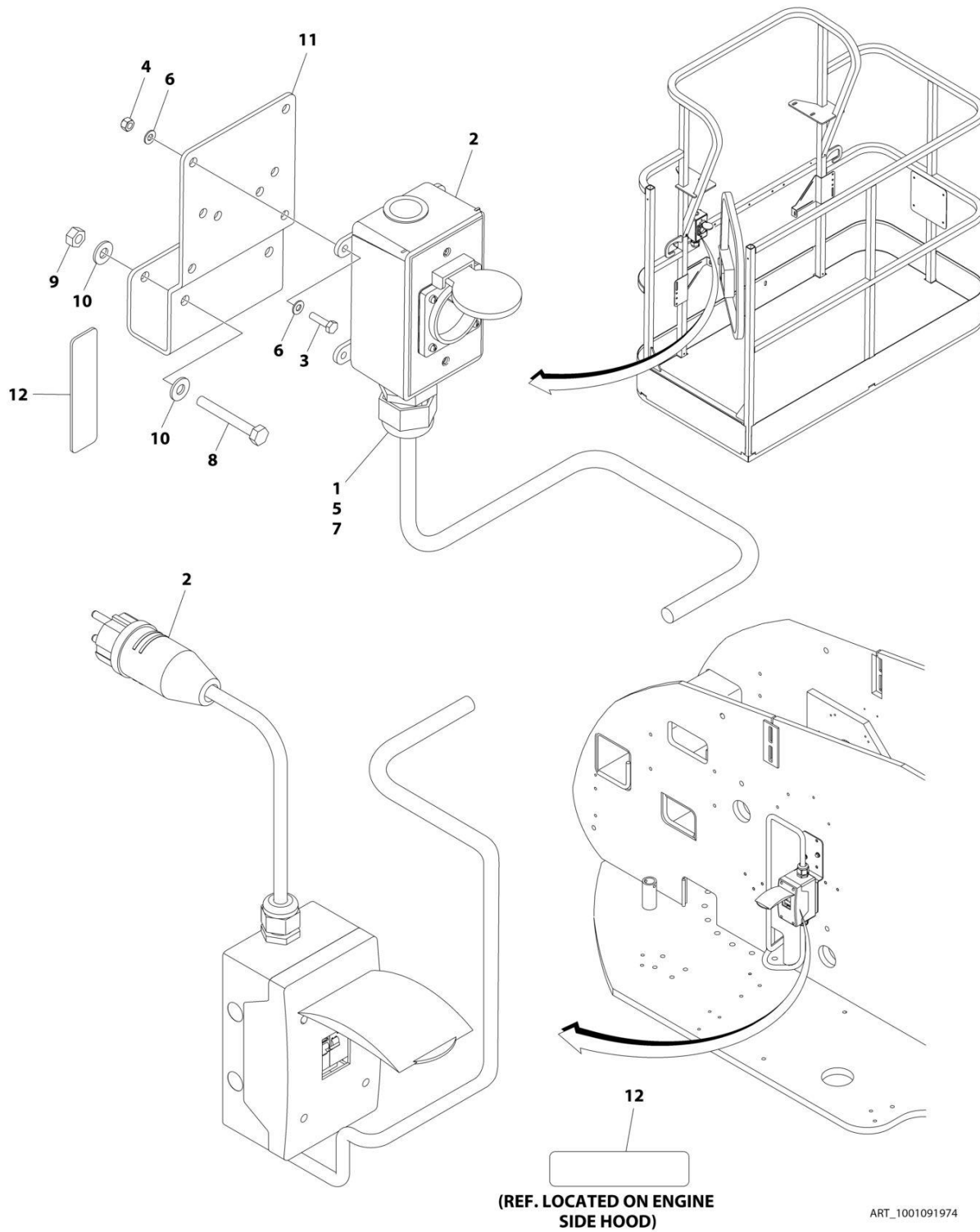
SECTION 8 - ELECTRICAL

**FIGURE 8-11. AC BOX AT PLATFORM INSTALLATION - 220V CEE7 POST GROUND (CE SPECS)
(MACHINES WITH 4000W GENERATOR)**

| ITEM | PART NUMBER | QTY | DESCRIPTION | REV |
|------|-------------|-----|--|-----|
| | 1001206250 | Ref | AC BOX AT PLATFORM INSTALLATION - 220V CEE7 2X4 BOX POST GROUND | A |
| 1 | 0100020 | AR | Sealant, Pipe | |
| 2 | 0641416 | 2 | Bolt 1/4 x 2 | |
| 3 | 0700408 | 4 | Bolt M4 x 16 | |
| 4 | 0861731 | 1 | Box, Switch | |
| 5 | 3251242 | 1 | Decal - 240V/50Hz | |
| 6 | 3290405 | 4 | Nut M4 | |
| 7 | 3311405 | 2 | Nut 1/4 | |
| 8 | 4460806 | 2 | Terminal, Fork (Not Shown) | |
| 9 | 4461244 | 1 | Receptacle | |
| 10 | 4711400 | 4 | Washer 1/4 | |
| 11 | 4811400 | 8 | Washer M4 | |
| 12 | 1001101191 | 1 | Connector, Strain Relief | |
| 13 | 1001101197 | 1 | Adapter | |
| 14 | 1001193018 | 1 | Bracket, AC Receptacle | |
| 15 | 1001205958 | 1 | Terminal (Not Shown) | |

SECTION 8 - ELECTRICAL

**FIGURE 8-12. AC BOX AT PLATFORM INSTALLATION - 220V CEE7 SIDE GROUND (CE SPECS)
(MACHINES WITH 2500W GENERATOR OR NO GENERATOR OPTION)**



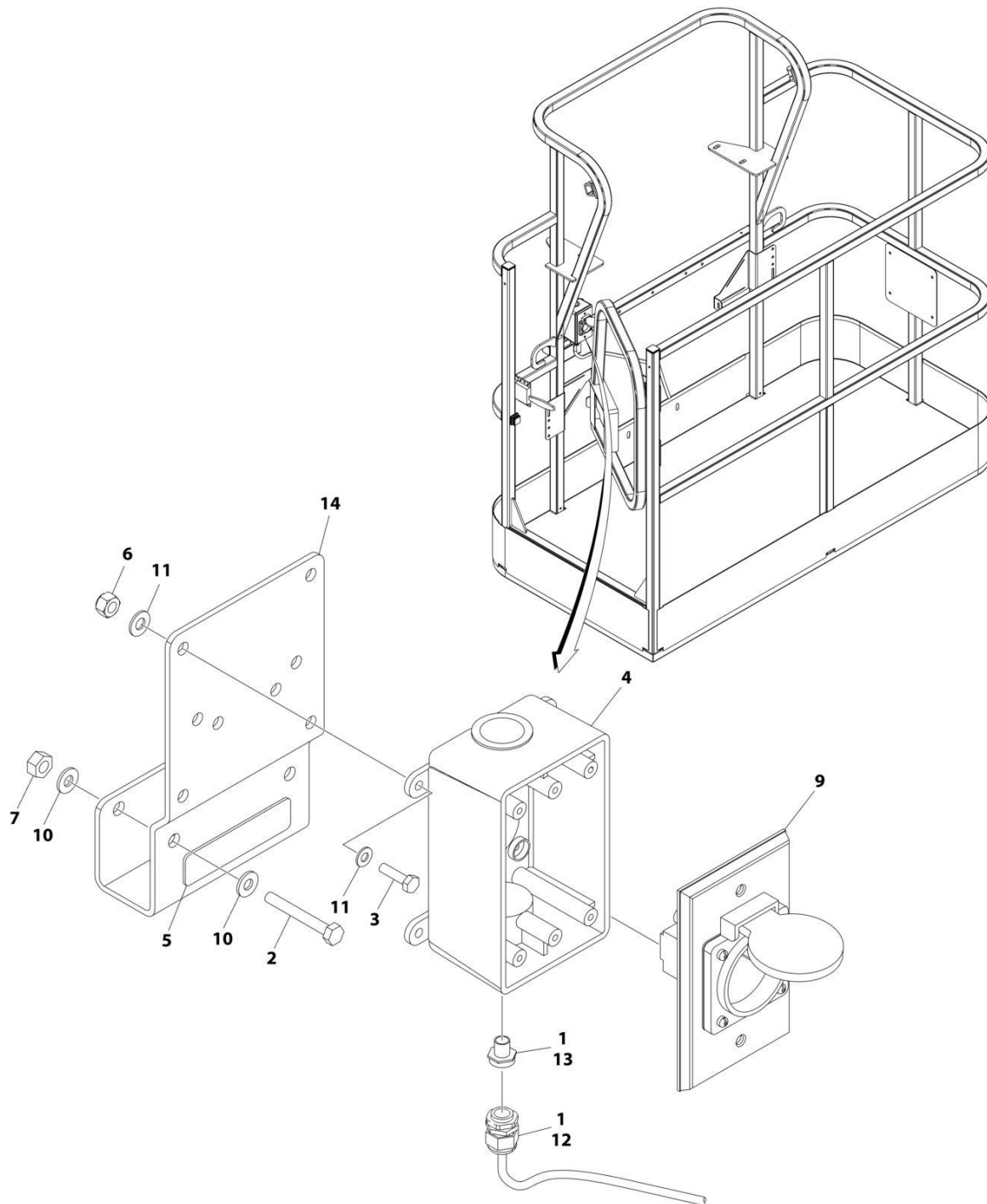
SECTION 8 - ELECTRICAL

**FIGURE 8-12. AC BOX AT PLATFORM INSTALLATION - 220V CEE7 SIDE GROUND (CE SPECS)
(MACHINES WITH 2500W GENERATOR OR NO GENERATOR OPTION)**

| ITEM | PART NUMBER | QTY | DESCRIPTION | REV |
|------|-------------|-----|--|-----|
| | 1001091974 | Ref | AC BOX AT PLATFORM INSTALLATION - 220V CEE7 2X4 BOX SIDE GROUND | F |
| 1 | 0100020 | AR | Sealant, Pipe | |
| 2 | 0275453 | 1 | Receptacle Box Kit (See Separate Breakdown in this Section) | |
| 3 | 0700408 | 4 | Bolt M4 x 16 | |
| 4 | 3290405 | 4 | Nut M4 | |
| 5 | 1001101197 | 1 | Adapter | |
| 6 | 4811400 | 8 | Washer M4 | |
| 7 | 1001101191 | 1 | Connector, Strain Relief | |
| 8 | 0641416 | 2 | Bolt 1/4 x 2 | |
| 9 | 3311405 | 2 | Nut 1/4 | |
| 10 | 4711400 | 4 | Washer 1/4 | |
| 11 | 1001193018 | 1 | Bracket | |
| 12 | 3251242 | 2 | Decal - 240V/50Hz | |
| 13 | 4460806 | 2 | Terminal, Fork (Not Shown) | |
| 14 | 1001205958 | 1 | Terminal (Not Shown) | |

SECTION 8 - ELECTRICAL

**FIGURE 8-13. AC BOX AT PLATFORM INSTALLATION - 220V CEE7 SIDE GROUND (CE SPECS)
(MACHINES WITH 4000W GENERATOR)**



ART_1001206251

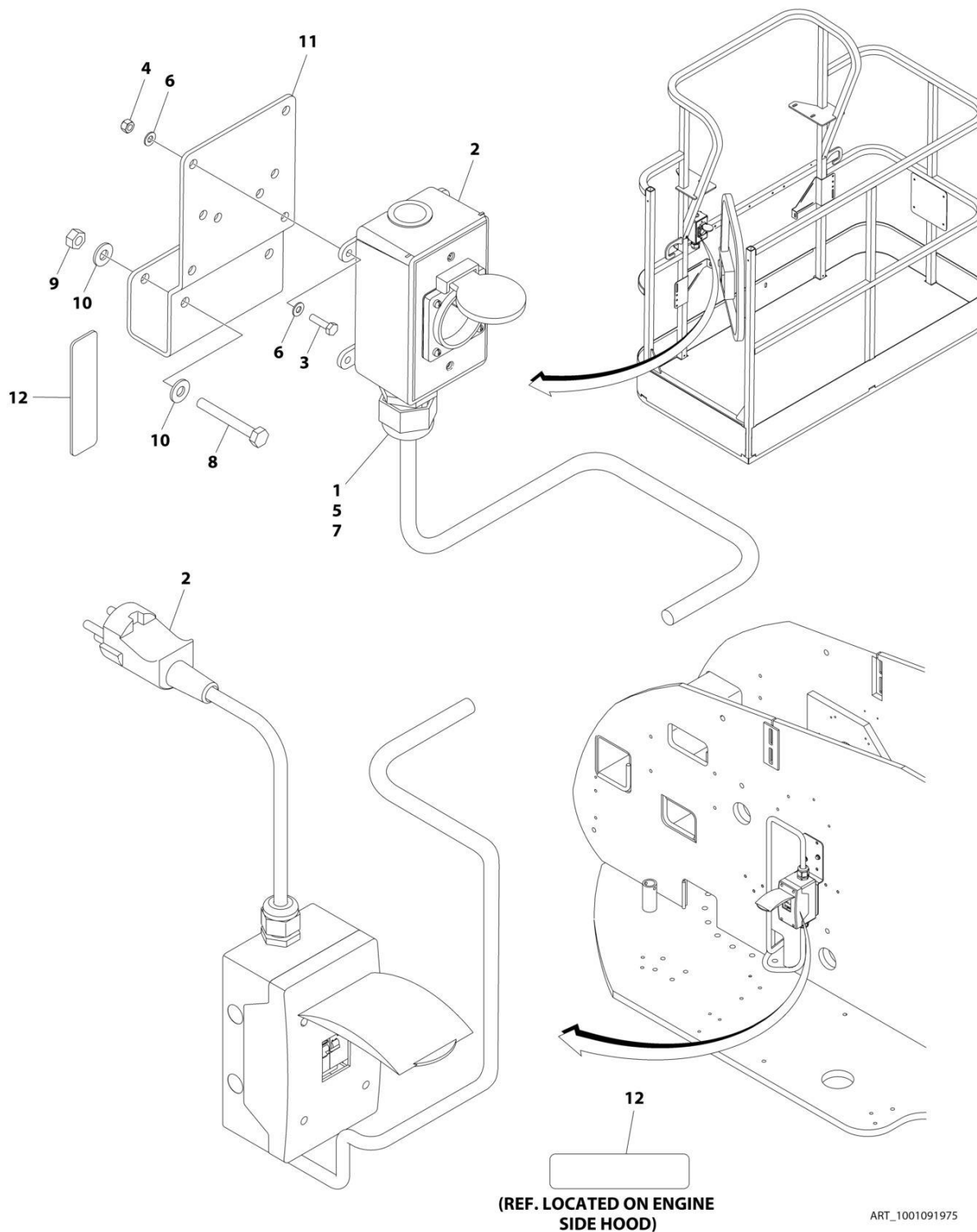
SECTION 8 - ELECTRICAL

**FIGURE 8-13. AC BOX AT PLATFORM INSTALLATION - 220V CEE7 SIDE GROUND (CE SPECS)
(MACHINES WITH 4000W GENERATOR)**

| ITEM | PART NUMBER | QTY | DESCRIPTION | REV |
|------|-------------|-----|--|-----|
| | 1001206251 | Ref | AC BOX AT PLATFORM INSTALLATION - 220V CEE7 2X4 BOX SIDE GROUND | A |
| 1 | 0100020 | AR | Sealant, Pipe | |
| 2 | 0641416 | 2 | Bolt 1/4 x 2 | |
| 3 | 0700408 | 4 | Bolt M4 x 16 | |
| 4 | 0861731 | 1 | Box, Switch | |
| 5 | 3251242 | 1 | Decal - 240V/50Hz | |
| 6 | 3290405 | 4 | Nut M4 | |
| 7 | 3311405 | 2 | Nut 1/4 | |
| 8 | 4460806 | 2 | Terminal, Fork (Not Shown) | |
| 9 | 4461245 | 1 | Receptacle | |
| 10 | 4711400 | 4 | Washer 1/4 | |
| 11 | 4811400 | 8 | Washer M4 | |
| 12 | 1001101191 | 1 | Connector, Strain Relief | |
| 13 | 1001101197 | 1 | Adapter | |
| 14 | 1001193018 | 1 | Bracket, AC Receptacle | |
| 15 | 1001205958 | 1 | Terminal (Not Shown) | |

SECTION 8 - ELECTRICAL

FIGURE 8-14. AC BOX AT PLATFORM INSTALLATION - 220V AFSINT 107 KEYED GROUND (CE SPECS) (MACHINES WITH 2500W GENERATOR OR NO GENERATOR OPTION)



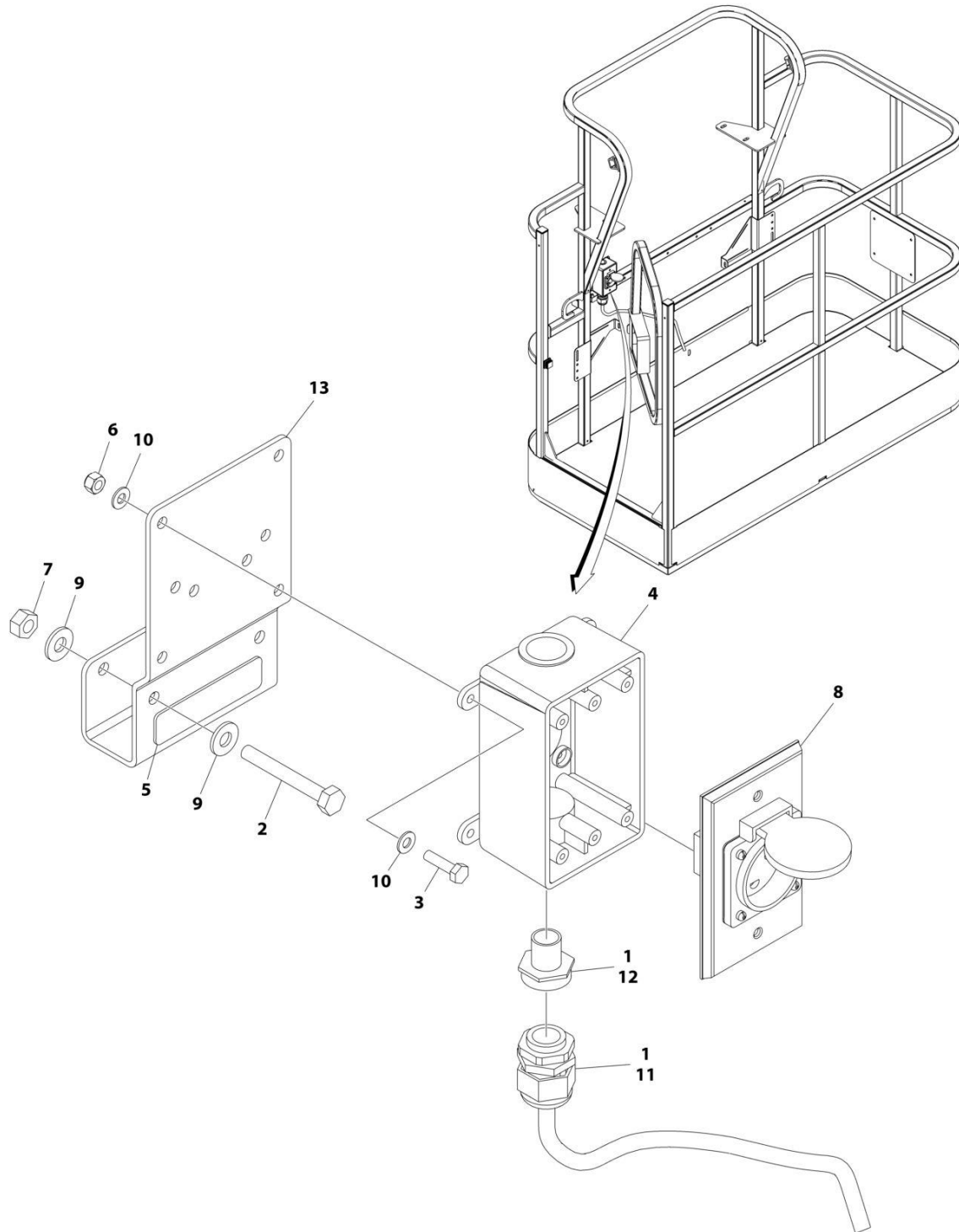
SECTION 8 - ELECTRICAL

FIGURE 8-14. AC BOX AT PLATFORM INSTALLATION - 220V AFSINT 107 KEYED GROUND (CE SPECS) (MACHINES WITH 2500W GENERATOR OR NO GENERATOR OPTION)

| ITEM | PART NUMBER | QTY | DESCRIPTION | REV |
|------|-------------|-----|--|-----|
| | 1001091975 | Ref | AC BOX AT PLATFORM INSTALLATION - 220V AFSINT 107 2X4 BOX KEYED GROUND | F |
| 1 | 0100020 | AR | Sealant, Pipe | |
| 2 | 0275454 | 1 | Receptacle Box Kit (See Separate Breakdown in this Section) | |
| 3 | 0700408 | 4 | Bolt M4 x 16 | |
| 4 | 3290405 | 4 | Nut M4 | |
| 5 | 1001101197 | 1 | Adapter | |
| 6 | 4811400 | 8 | Washer M4 | |
| 7 | 1001101191 | 1 | Connector, Strain Relief | |
| 8 | 0641416 | 2 | Bolt 1/4 x 2 | |
| 9 | 3311405 | 2 | Nut 1/4 | |
| 10 | 4711400 | 4 | Washer 1/4 | |
| 11 | 1001193018 | 1 | Bracket | |
| 12 | 3251242 | 2 | Decal - 240V/50Hz | |
| 13 | 1001205958 | 3 | Terminal (Not Shown) | |

SECTION 8 - ELECTRICAL

FIGURE 8-15. AC BOX AT PLATFORM INSTALLATION - 220V AFSINT 107 KEYED GROUND (CE SPECS) (MACHINES WITH 4000W GENERATOR)



ART_1001206252

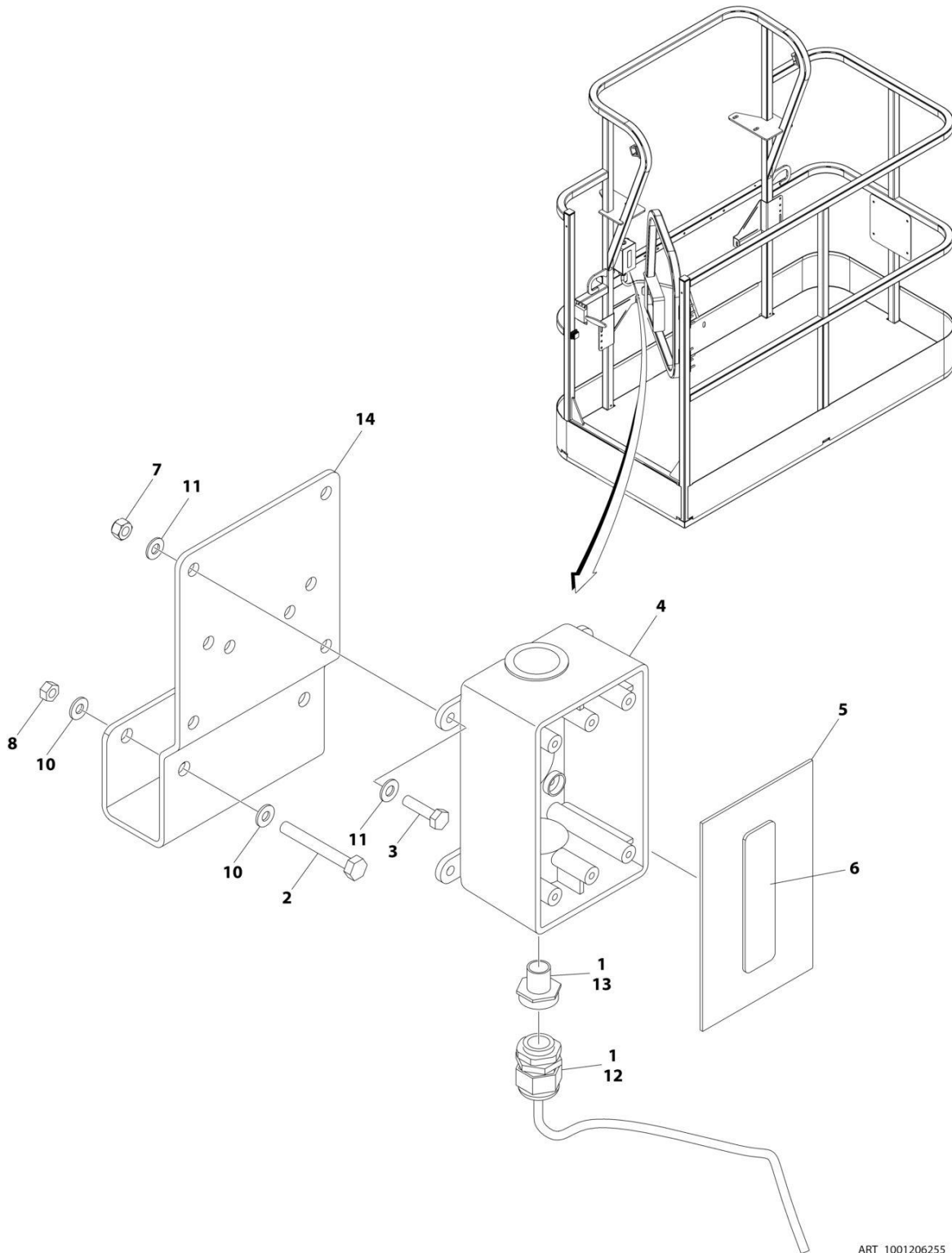
SECTION 8 - ELECTRICAL

FIGURE 8-15. AC BOX AT PLATFORM INSTALLATION - 220V AFSINT 107 KEYED GROUND (CE SPECS) (MACHINES WITH 4000W GENERATOR)

| ITEM | PART NUMBER | QTY | DESCRIPTION | REV |
|------|-------------|-----|---|-----|
| | 1001206252 | Ref | AC BOX AT PLATFORM INSTALLATION - 220V AFSINT 107 2x4 BOX KEYED GROUND | A |
| 1 | 0100020 | AR | Sealant, Pipe | |
| 2 | 0641416 | 2 | Bolt 1/4 x 2 | |
| 3 | 0700408 | 4 | Bolt M4 x 16 | |
| 4 | 0861731 | 1 | Box, Switch | |
| 5 | 3251242 | 1 | Decal - 240V/50Hz | |
| 6 | 3290405 | 4 | Nut M4 | |
| 7 | 3311405 | 2 | Nut 1/4 | |
| 8 | 4461246 | 1 | Receptacle | |
| 9 | 4711400 | 4 | Washer 1/4 | |
| 10 | 4811400 | 8 | Washer M4 | |
| 11 | 1001101191 | 1 | Connector, Strain Relief | |
| 12 | 1001101197 | 1 | Adapter | |
| 13 | 1001193018 | 1 | Bracket, AC Receptacle | |
| 14 | 1001205958 | 3 | Terminal (Not Shown) | |

SECTION 8 - ELECTRICAL

FIGURE 8-16. AC BOX AT PLATFORM INSTALLATION - 220V (2X4 BOX & COVER ONLY - LOCALLY SUPPLIED RECEPTACLE) (4000W GENERATOR)



ART_1001206255

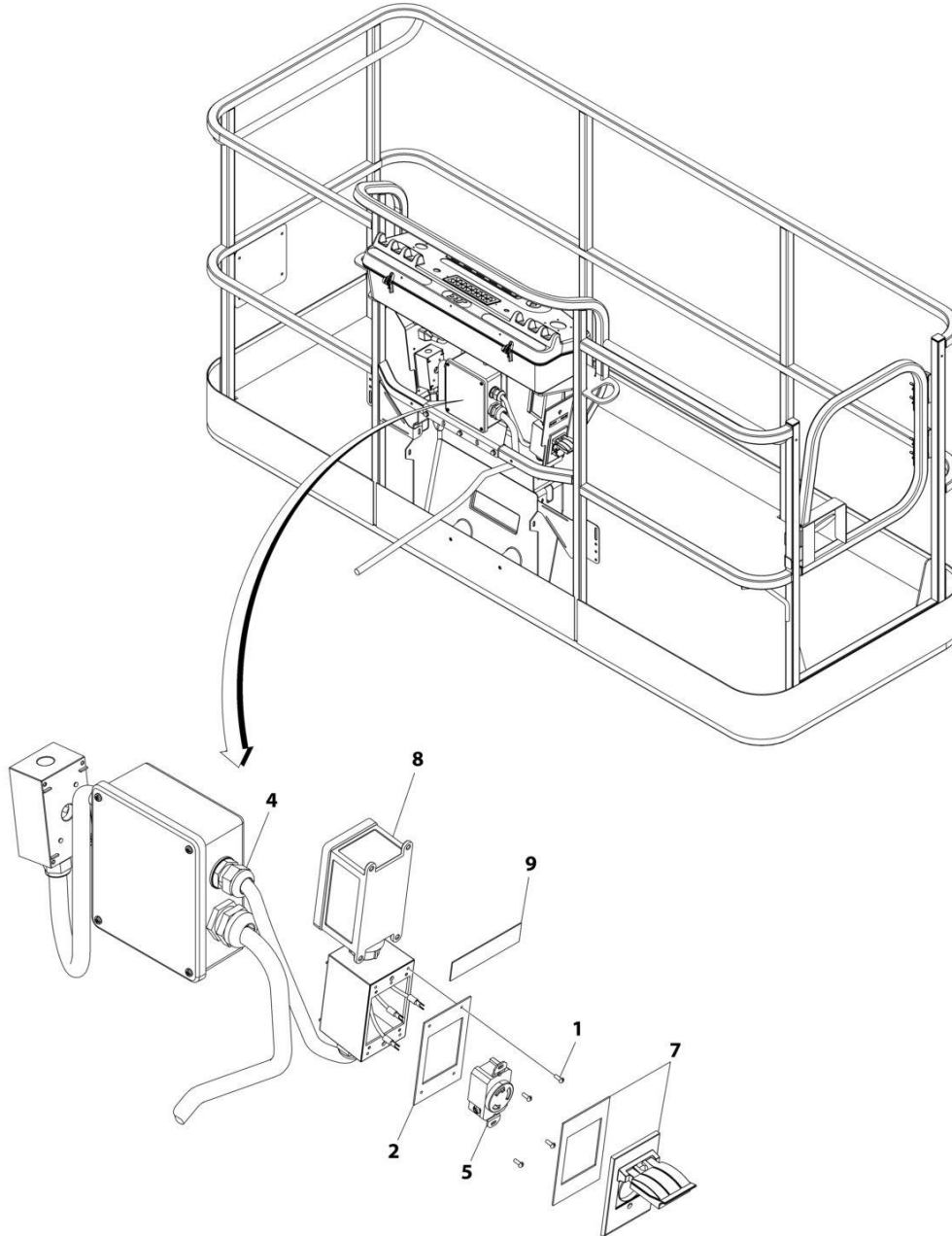
SECTION 8 - ELECTRICAL

FIGURE 8-16. AC BOX AT PLATFORM INSTALLATION - 220V (2X4 BOX & COVER ONLY - LOCALLY SUPPLIED RECEPTACLE) (4000W GENERATOR)

| ITEM | PART NUMBER | QTY | DESCRIPTION | REV |
|------|-------------|-----|---|-----|
| | 1001206255 | Ref | AC BOX AT PLATFORM INSTALLATION - BOX WITH COVER (2X4 BOX) WITH 4000W GENERATOR | A |
| 1 | 0100020 | AR | Sealant, Pipe | |
| 2 | 0641416 | 2 | Bolt 1/4 x 2 | |
| 3 | 0700408 | 4 | Bolt M4 x 16 | |
| 4 | 0861731 | 1 | Box, Switch | |
| 5 | 1670603 | 1 | Cover | |
| 6 | 3251242 | 1 | Decal - 240V-50Hz | |
| 7 | 3290405 | 4 | Nut M4 | |
| 8 | 3311405 | 2 | Nut 1/4 | |
| 10 | 4711400 | 4 | Washer 1/4 | |
| 11 | 4811400 | 8 | Washer M4 | |
| 12 | 1001101191 | 1 | Connector, Strain Relief | |
| 13 | 1001101197 | 1 | Adapter | |
| 14 | 1001193018 | 1 | Bracket, AC Receptacle | |

SECTION 8 - ELECTRICAL

FIGURE 8-17. AC BOX AT PLATFORM INSTALLATION - 240V GFCI RECEPTACLE (ANSI AND CSA SPECS WITH 4000W SKYPOWER GENERATOR)



ART_1001171131

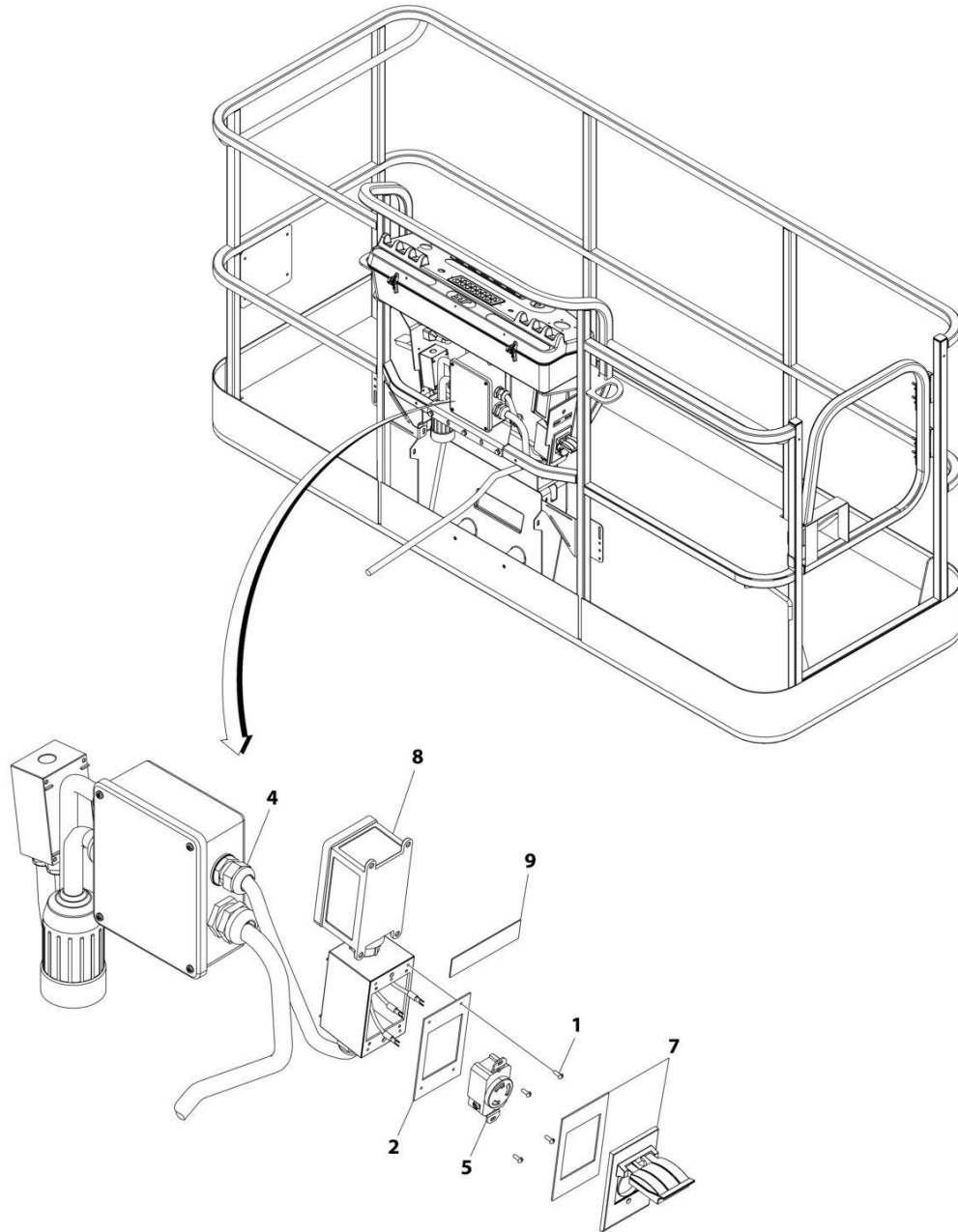
SECTION 8 - ELECTRICAL

FIGURE 8-17. AC BOX AT PLATFORM INSTALLATION - 240V GFCI RECEPTACLE (ANSI AND CSA SPECS WITH 4000W SKYPOWER GENERATOR)

| ITEM | PART NUMBER | QTY | DESCRIPTION | REV |
|------|-------------|-----|---|-----|
| | 1001171131 | Ref | AC BOX AT PLATFORM INSTALLATION - 240V RECEPTACLE | B |
| 1 | 3910606 | 4 | Screw 6 x 3/8 | |
| 2 | 3960422 | 1 | Gasket | |
| 3 | 4240018 | AR | Tie-Strap (Not Shown) | |
| 4 | 4460425 | 1 | Connector, Strain Relief | |
| 5 | 1001176862 | 1 | Receptacle | |
| 7 | 1001110872 | 1 | Cover, Receptacle | |
| 8 | 1001159120 | 1 | Receptacle/Breaker Box Assembly | |
| 8 | 1001148675 | 1 | Box, Receptacle | |
| 8 | 1001159118 | 1 | Breaker GFCI 30Amp 240VAC | |
| 8 | 4460612 | 1 | Connector, Strain Relief | |
| 8 | 1001159119 | 1 | Connector (Between Boxes) | |
| 9 | 1705374 | 1 | Decal - 240V/60Hz | |

SECTION 8 - ELECTRICAL

FIGURE 8-18. AC BOX AT PLATFORM INSTALLATION - 240V GFCI RECEPTACLE (ANSI AND CSA SPECS WITH 7500W SKYPOWER GENERATOR)



ART_1001159121

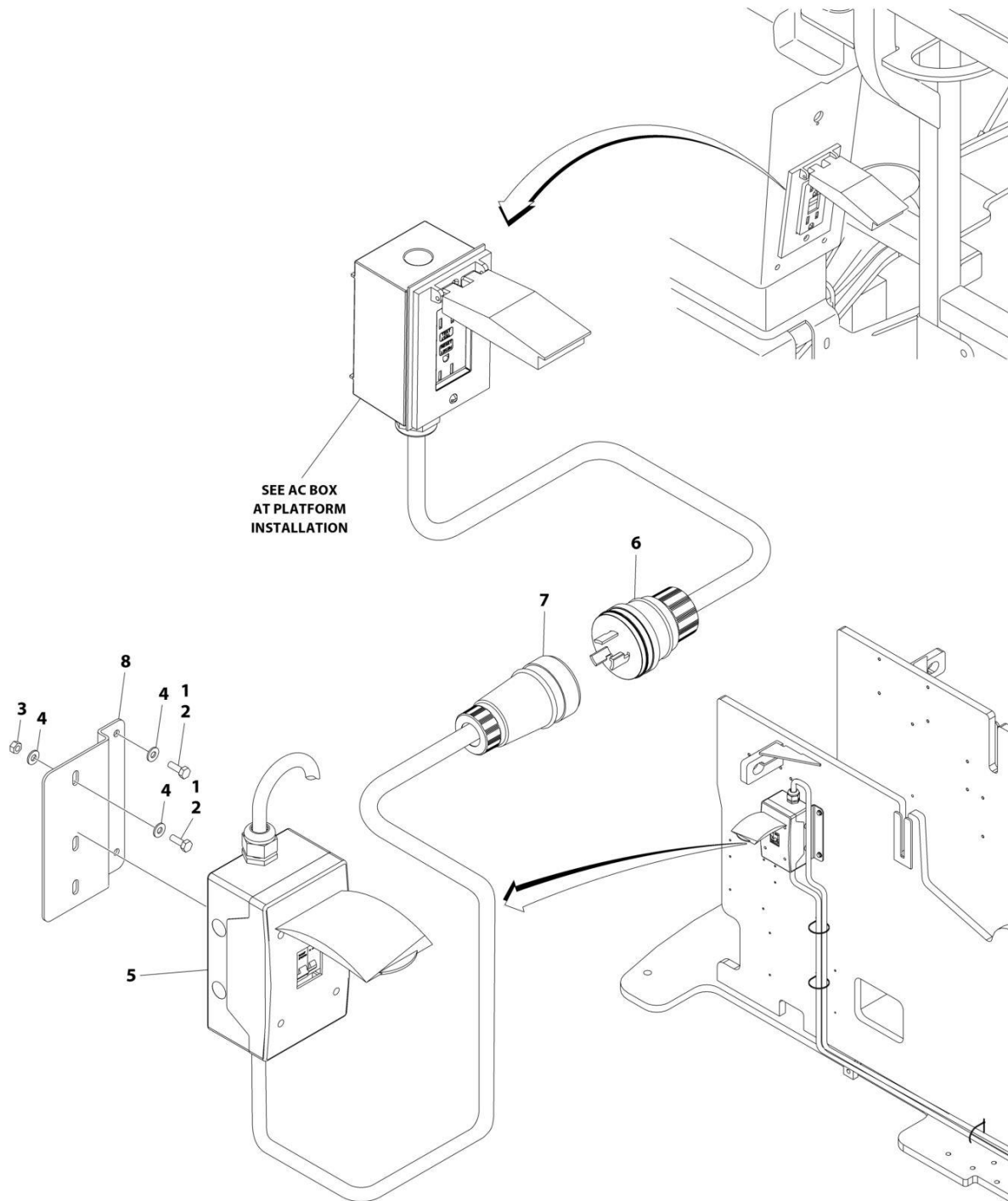
SECTION 8 - ELECTRICAL

FIGURE 8-18. AC BOX AT PLATFORM INSTALLATION - 240V GFCI RECEPTACLE (ANSI AND CSA SPECS WITH 7500W SKYPOWER GENERATOR)

| ITEM | PART NUMBER | QTY | DESCRIPTION | REV |
|------|-------------|-----|---|-----|
| | 1001159121 | Ref | AC BOX AT PLATFORM INSTALLATION - 240V RECEPTACLE | B |
| 1 | 3910606 | 4 | Screw 6 x 3/8 | |
| 2 | 3960422 | 1 | Gasket | |
| 3 | 4240018 | AR | Tie-Strap (Not Shown) | |
| 4 | 4460425 | 1 | Connector, Strain Relief | |
| 5 | 4460958 | 1 | Receptacle | |
| 7 | 1001110872 | 1 | Cover, Receptacle | |
| 8 | 1001159120 | 1 | Receptacle/Breaker Box Assembly | |
| 8 | 1001148675 | 1 | Box, Receptacle | |
| 8 | 1001159118 | 1 | Breaker Box Assembly | |
| 8 | 4460612 | 1 | Connector, Strain Relief | |
| 8 | 1001159119 | 1 | Connector (Between Boxes) | |
| 9 | 1705374 | 1 | Decal - 240V/60Hz | |

SECTION 8 - ELECTRICAL

FIGURE 8-19. AC BREAKER BOX INSTALLATION - WITH 3 BREAKERS (CE SPECS WITH 4000W GENERATOR)



ART_1001234588

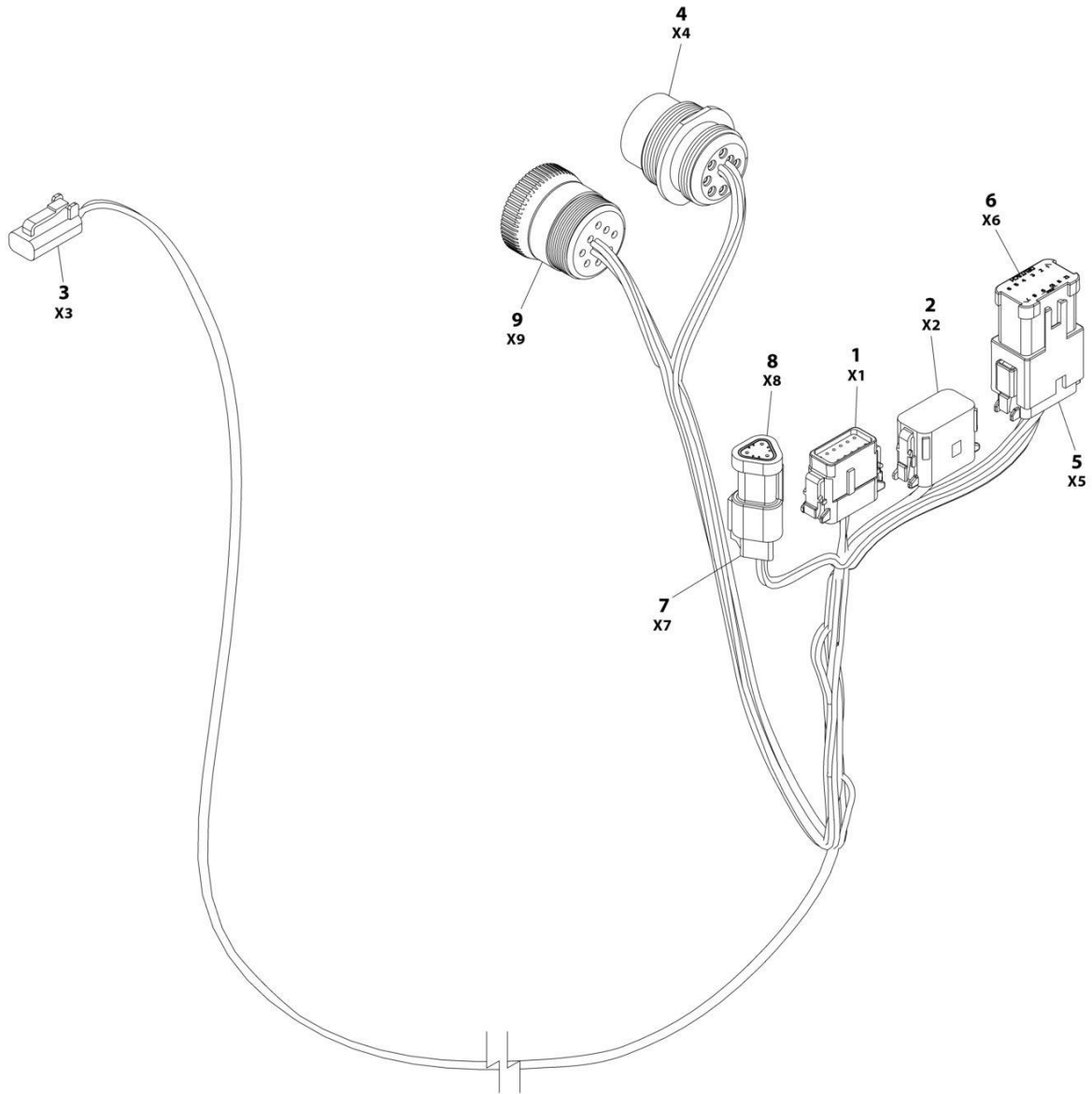
SECTION 8 - ELECTRICAL

FIGURE 8-19. AC BREAKER BOX INSTALLATION - WITH 3 BREAKERS (CE SPECS WITH 4000W GENERATOR)

| ITEM | PART NUMBER | QTY | DESCRIPTION | REV |
|------|-------------|-----|--|-----|
| | 1001234588 | Ref | AC BREAKER BOX INSTALLATION | A |
| 1 | 0100011 | AR | Compound, Locking | |
| 2 | 0641406 | 4 | Bolt 1/4 x 3/4 | |
| 3 | 3311405 | 2 | Nut 1/4 | |
| 4 | 4711400 | 6 | Washer 1/4 | |
| 5 | 1001205690 | 1 | Breaker Box Kit - With 3 Breakers (See Separate Breakdown in this Section) | |
| 6 | 1001213584 | 1 | Plug, Male | |
| 7 | 1001213585 | 1 | Receptacle, Female | |
| 8 | 1001229080 | 1 | Bracket | |
| 9 | 4240099 | AR | Tie-Strap (Not Shown) | |

SECTION 8 - ELECTRICAL

FIGURE 8-20. BEACON CONTROL HARNESS (BLUE AND RED STROBE LIGHTS)



ART_1001142736

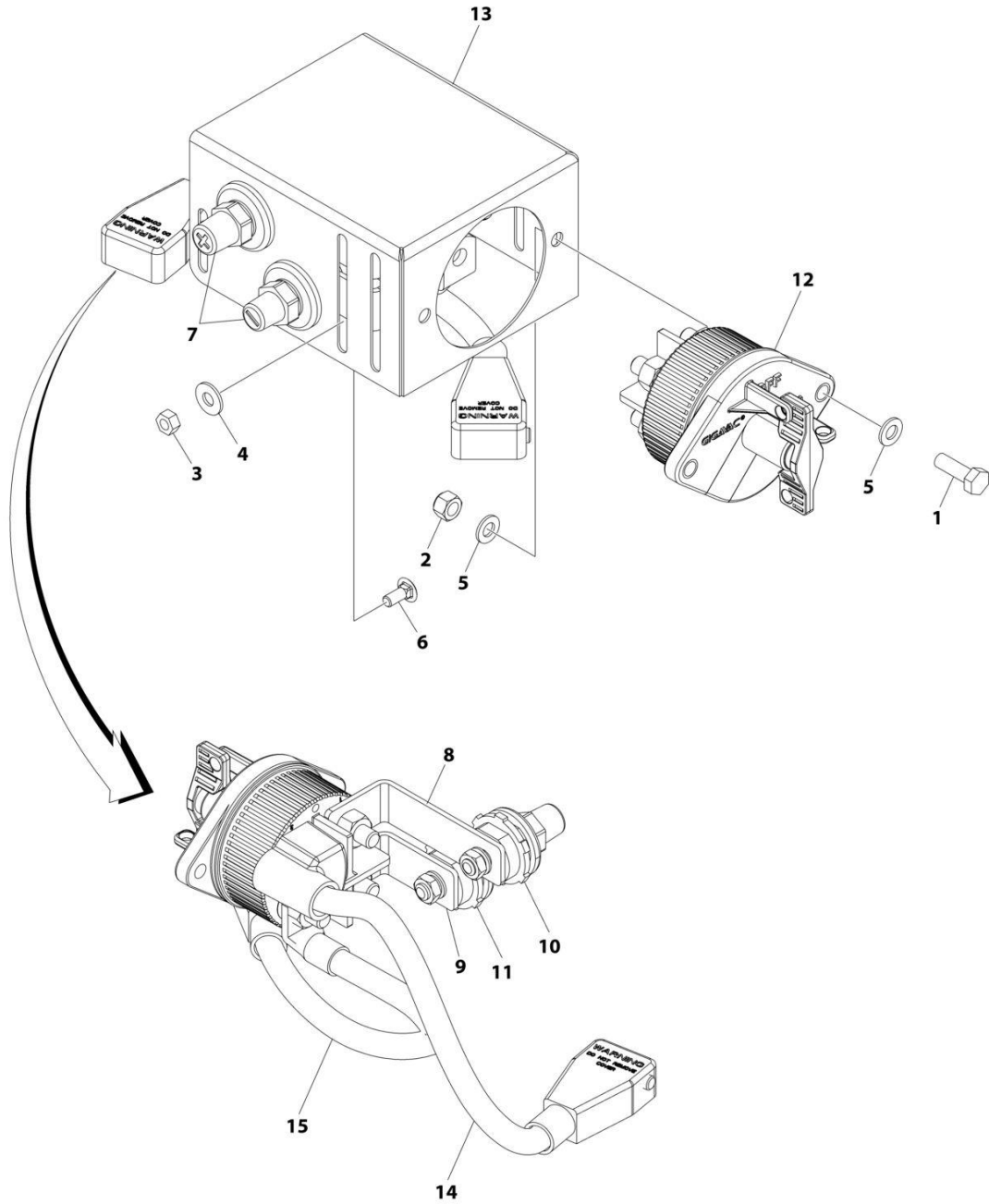
SECTION 8 - ELECTRICAL

FIGURE 8-20. BEACON CONTROL HARNESS (BLUE AND RED STROBE LIGHTS)

| ITEM | PART NUMBER | QTY | DESCRIPTION | REV |
|------|-------------|-----|--------------------------|-----|
| | 1001142736 | Ref | STROBE LIGHT HARNESS | F |
| 1 | 1001116808 | 1 | Plug, Male - 12 Position | |
| 1 | 4460928 | 3 | Socket, Female | |
| 1 | 4460518 | 9 | Plug, Terminal | |
| 2 | 1001116774 | 1 | Plug, Male - 12 Position | |
| 2 | 4460928 | 3 | Socket, Female | |
| 2 | 4460518 | 9 | Plug, Terminal | |
| 3 | 4460891 | 1 | Plug, Male - 2 Position | |
| 3 | 4460465 | 2 | Socket, Female | |
| 4 | 1001112612 | 1 | Connector - 9 Position | |
| 4 | 4460464 | 6 | Pin, Male | |
| 4 | 4460466 | 3 | Plug, Terminal | |
| 5 | 4460933 | 1 | Plug, Male - 12 Position | |
| 5 | 4460465 | 12 | Socket, Female | |
| 6 | 1001119020 | 1 | Bussbar - 12 Position | |
| 7 | 4461095 | 1 | Plug, Male - 3 Position | |
| 7 | 4460465 | 3 | Socket, Female | |
| 8 | 4461070 | 1 | Bussbar - 3 Position | |
| 9 | 1001112796 | 1 | Connector - 9 Position | |
| 9 | 4460465 | 6 | Socket, Female | |
| 9 | 4460466 | 3 | Plug, Terminal | |

SECTION 8 - ELECTRICAL

FIGURE 8-21. BATTERY DISCONNECT



ART_1001236304

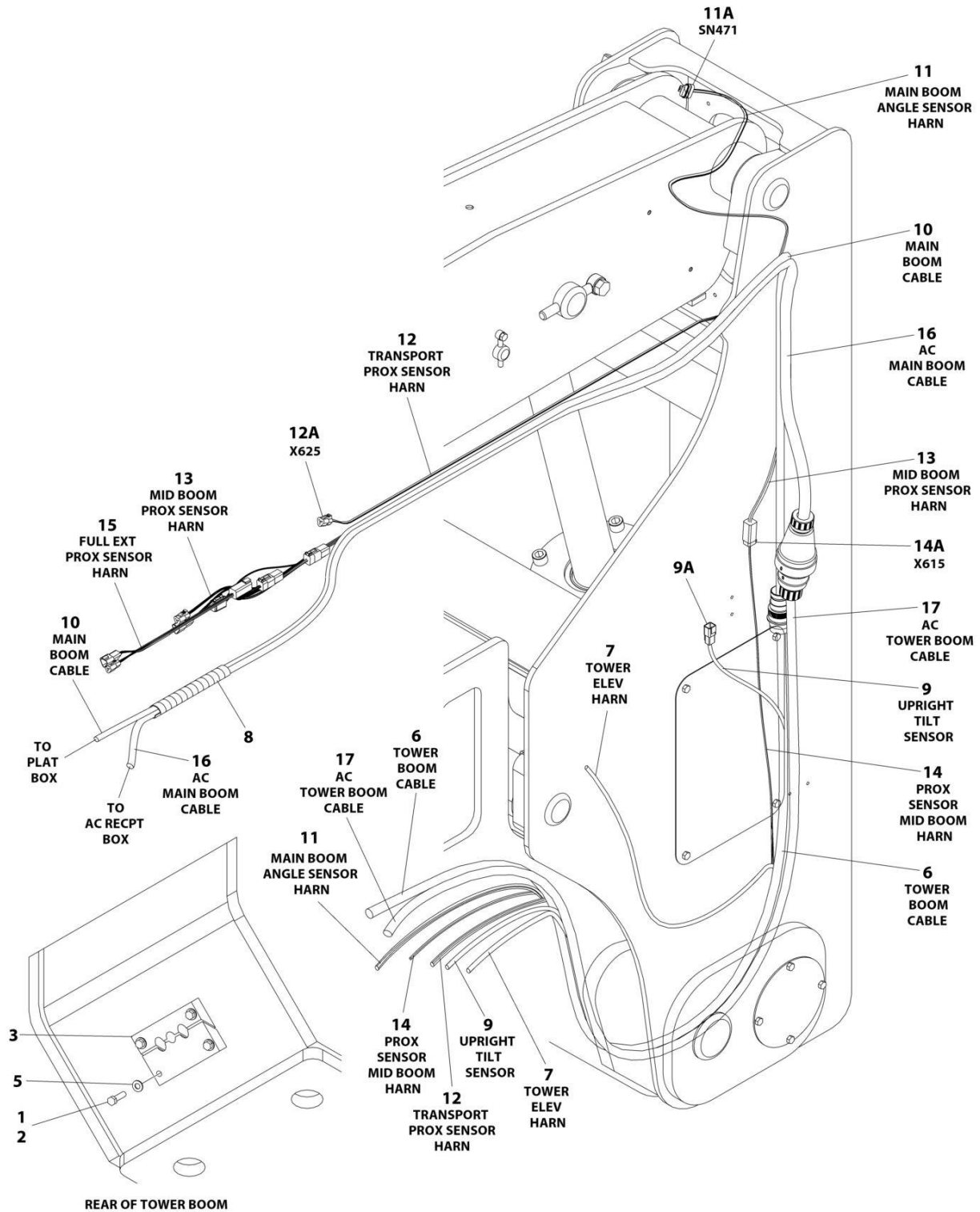
SECTION 8 - ELECTRICAL

FIGURE 8-21. BATTERY DISCONNECT

| ITEM | PART NUMBER | QTY | DESCRIPTION | REV |
|------|-------------|-----|--|-----|
| | 1001236304 | Ref | BATTERY DISCONNECT SWITCH INSTALLATION | A |
| 1 | 0760812 | 2 | Bolt M8 x 25 | |
| 2 | 3290805 | 2 | Nut M8 | |
| 3 | 3311405 | 3 | Nut 1/4 | |
| 4 | 4751400 | 3 | Washer 1/4 | |
| 5 | 4811900 | 4 | Washer M8 | |
| 6 | 88411013 | 3 | Bolt 1/4 x 3/4 | |
| 7 | 1001206476 | 1 | Connectors, Post | |
| 8 | 1001209432 | 1 | Bussbar | |
| 9 | 1001209474 | 1 | Bussbar | |
| 10 | 1001214570 | 1 | Connector (Red) | |
| 11 | 1001214571 | 1 | Connector (Black) | |
| 12 | 1001225346 | 1 | Switch, Battery | |
| 13 | 1001226531 | 1 | Mount | |
| 14 | 1001236504 | 1 | Cable, Battery (+) | |
| 15 | 1001236505 | 1 | Cable, Battery (-) | |

SECTION 8 - ELECTRICAL

FIGURE 8-22. BOOM CABLES INSTALLATION - WITH 2500W GENERATOR



ART_1001257902

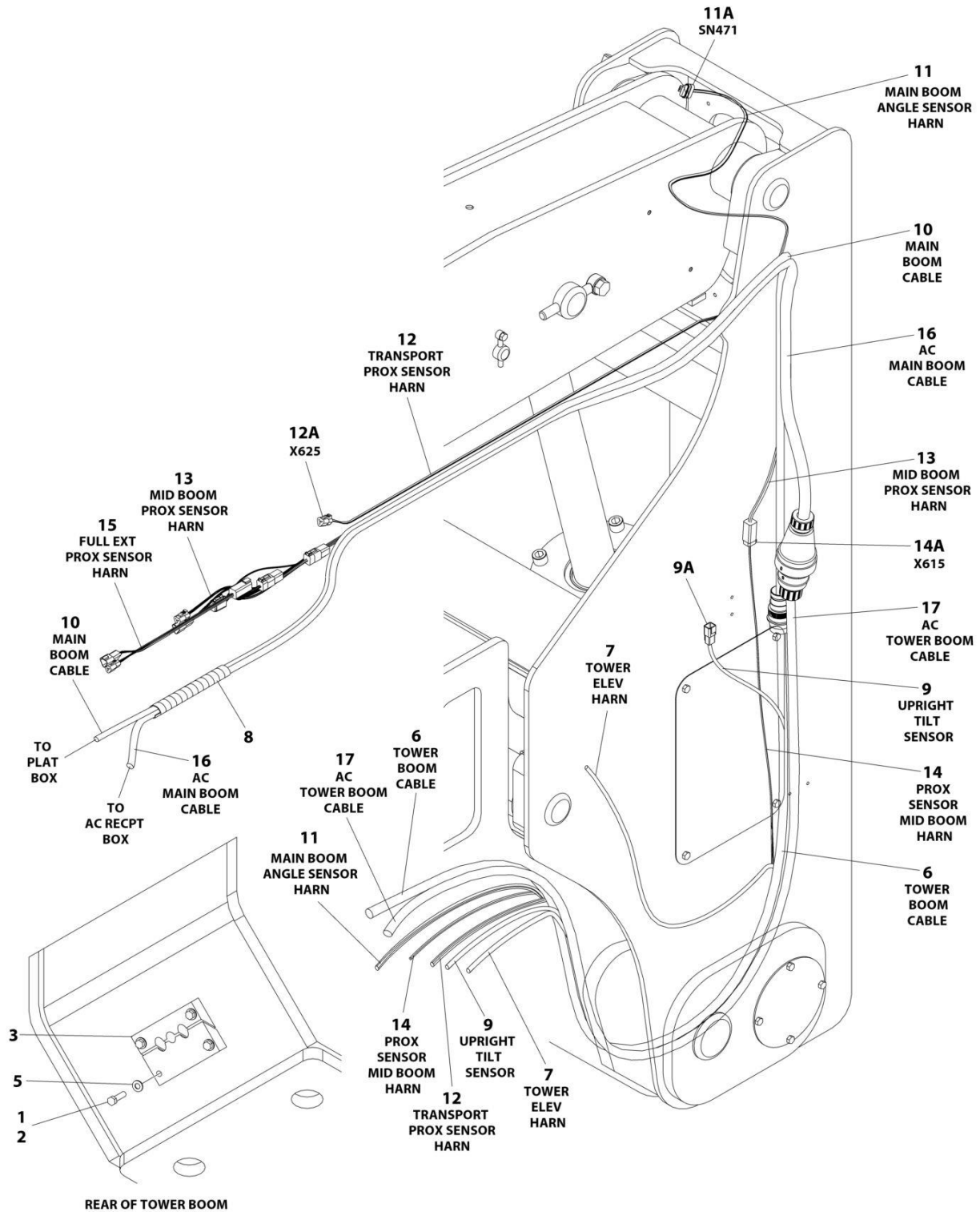
SECTION 8 - ELECTRICAL

FIGURE 8-22. BOOM CABLES INSTALLATION - WITH 2500W GENERATOR

| ITEM | PART NUMBER | QTY | DESCRIPTION | REV |
|------|-------------|-----|---|-----|
| | 1001257902 | Ref | BOOM CABLES INSTALLATION | A |
| 1 | 0100011 | AR | Compound, Locking | |
| 2 | 0641612 | 4 | Bolt 3/8 x 1-1/2 | |
| 3 | 1320256 | 1 | Clamp, Block | |
| 4 | 4240033 | 3 | Tie, Cable (Not Shown) | |
| 5 | 4711600 | 4 | Washer 3/8 | |
| 6 | 4922576 | 1 | Boom Cable - Tower Boom (See Separate Breakdown in this Section) | |
| 7 | 4922578 | 1 | Harness, Tower Boom Elevation Limit Switch | |
| 8 | 1001181923 | 1 | Shield, Cable/Hose | |
| 9 | 1001227359 | 1 | Harness, Tilt Sensor Harness | |
| 9 | 4460944 | 3 | Socket, Female (at GC Box) | |
| 9A | 1001097051 | 1 | Connector - 4 Position | |
| 9A | 1001097082 | 1 | Terminal | |
| 9A | 4460518 | 1 | Plug, Terminal | |
| 10 | 1001227488 | 1 | Boom Cable - Main Boom (See Separate Breakdown in this Section) | |
| 11 | 1001258707 | 1 | Harness, Main Boom Angle Sensor | |
| 11A | 1001230931 | 1 | Connector - 6 Position | |
| 11A | 1001116748 | 6 | Terminal | |
| 12 | 1001258708 | 1 | Harness, Transport Proximity Sensor | |
| 12A | 4460539 | 1 | Plug, Male - 3 Position | |
| 12A | 4460465 | 3 | Socket, Female | |
| 13 | 1001258709 | 1 | Harness, Mid Boom Proximity Sensor (Main Boom) (See Separate Breakdown in this Section) | |
| 14 | 1001258710 | 1 | Cable, Middle Boom Proximity Sensor, Lower | |
| 14A | 4460894 | 1 | Plug, Male - 6 Position | |
| 14A | 4460465 | 6 | Socket, Female | |
| 15 | 1001258711 | 1 | Cable, Full Extension Proximity Sensor | |
| 16 | 4922218 | 1 | AC Cable, 10/3 (Main Boom) | |
| 17 | 4922220 | 1 | AC Cable, 10/3 (Tower Boom) | |

SECTION 8 - ELECTRICAL

FIGURE 8-23. BOOM CABLES INSTALLATION - WITH 4000W GENERATOR (50HZ)



ART_1001257902

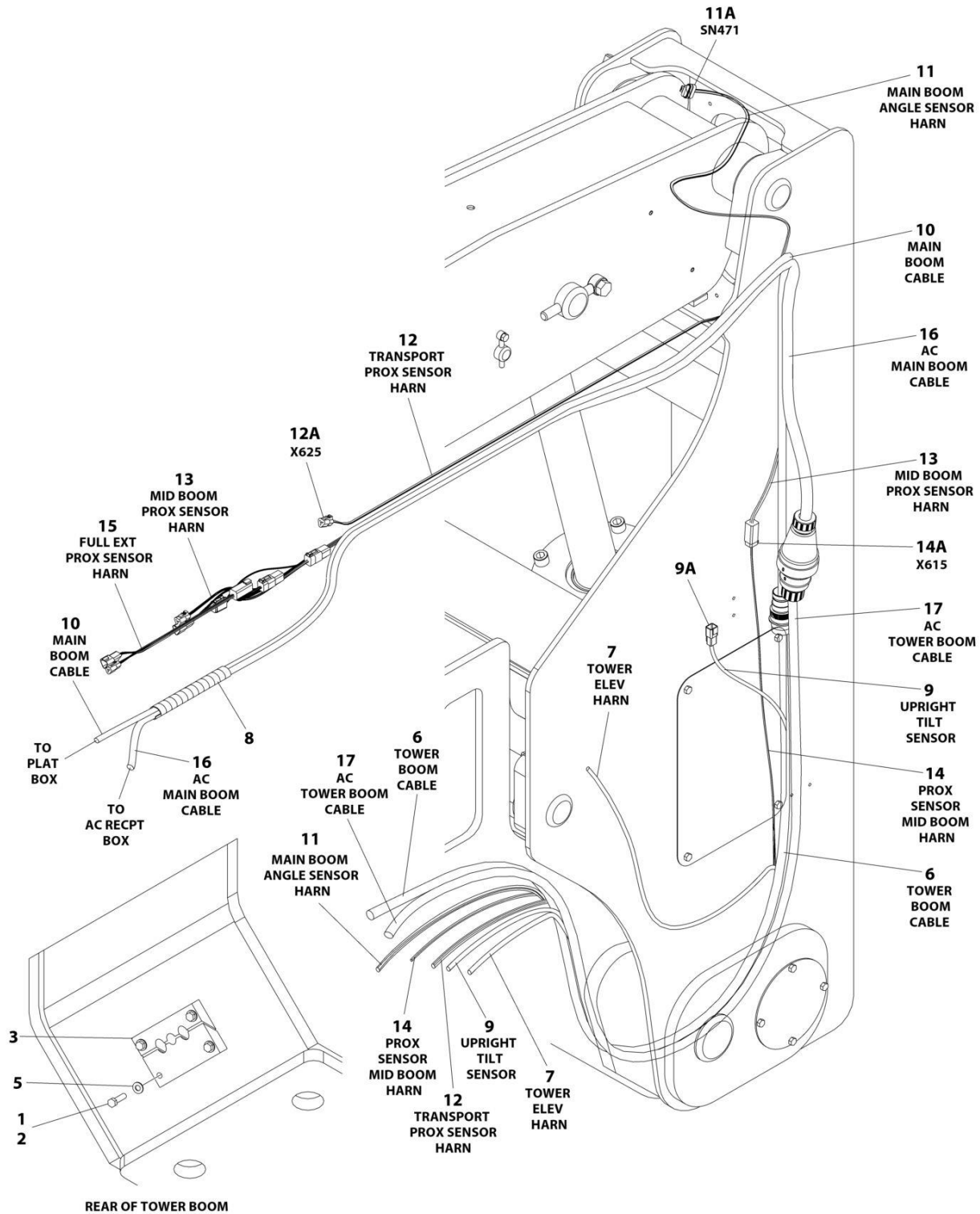
SECTION 8 - ELECTRICAL

FIGURE 8-23. BOOM CABLES INSTALLATION - WITH 4000W GENERATOR (50HZ)

| ITEM | PART NUMBER | QTY | DESCRIPTION | REV |
|------|-------------|-----|---|-----|
| | 1001257902 | Ref | BOOM CABLES INSTALLATION | A |
| 1 | 0100011 | AR | Compound, Locking | |
| 2 | 0641612 | 4 | Bolt 3/8 x 1-1/2 | |
| 3 | 1320256 | 1 | Clamp, Block | |
| 4 | 4240033 | 3 | Tie, Cable (Not Shown) | |
| 5 | 4711600 | 4 | Washer 3/8 | |
| 6 | 4922576 | 1 | Boom Cable - Tower Boom (See Separate Breakdown in this Section) | |
| 7 | 4922578 | 1 | Harness, Tower Boom Elevation Limit Switch | |
| 8 | 1001181923 | 1 | Shield, Cable/Hose | |
| 9 | 1001227359 | 1 | Harness, Tilt Sensor Harness | |
| 9 | 4460944 | 3 | Socket, Female (at GC Box) | |
| 9A | 1001097051 | 1 | Connector - 4 Position | |
| 9A | 1001097082 | 1 | Terminal | |
| 9A | 4460518 | 1 | Plug, Terminal | |
| 10 | 1001227488 | 1 | Boom Cable - Main Boom (See Separate Breakdown in this Section) | |
| 11 | 1001258707 | 1 | Harness, Main Boom Angle Sensor | |
| 11A | 1001230931 | 1 | Connector - 6 Position | |
| 11A | 1001116748 | 6 | Terminal | |
| 12 | 1001258708 | 1 | Harness, Transport Proximity Sensor | |
| 12A | 4460539 | 1 | Plug, Male - 3 Position | |
| 12A | 4460465 | 3 | Socket, Female | |
| 13 | 1001258709 | 1 | Harness, Mid Boom Proximity Sensor (Main Boom) (See Separate Breakdown in this Section) | |
| 14 | 1001258710 | 1 | Cable, Middle Boom Proximity Sensor, Lower | |
| 14A | 4460894 | 1 | Plug, Male - 6 Position | |
| 14A | 4460465 | 6 | Socket, Female | |
| 15 | 1001258711 | 1 | Cable, Full Extension Proximity Sensor | |
| 16 | 4922218 | 1 | AC Cable, 10/3 (Main Boom) | |
| 17 | 4922220 | 1 | AC Cable, 10/3 (Tower Boom) | |

SECTION 8 - ELECTRICAL

FIGURE 8-24. BOOM CABLES INSTALLATION - WITH 4000W GENERATOR (60HZ)



ART_1001257904

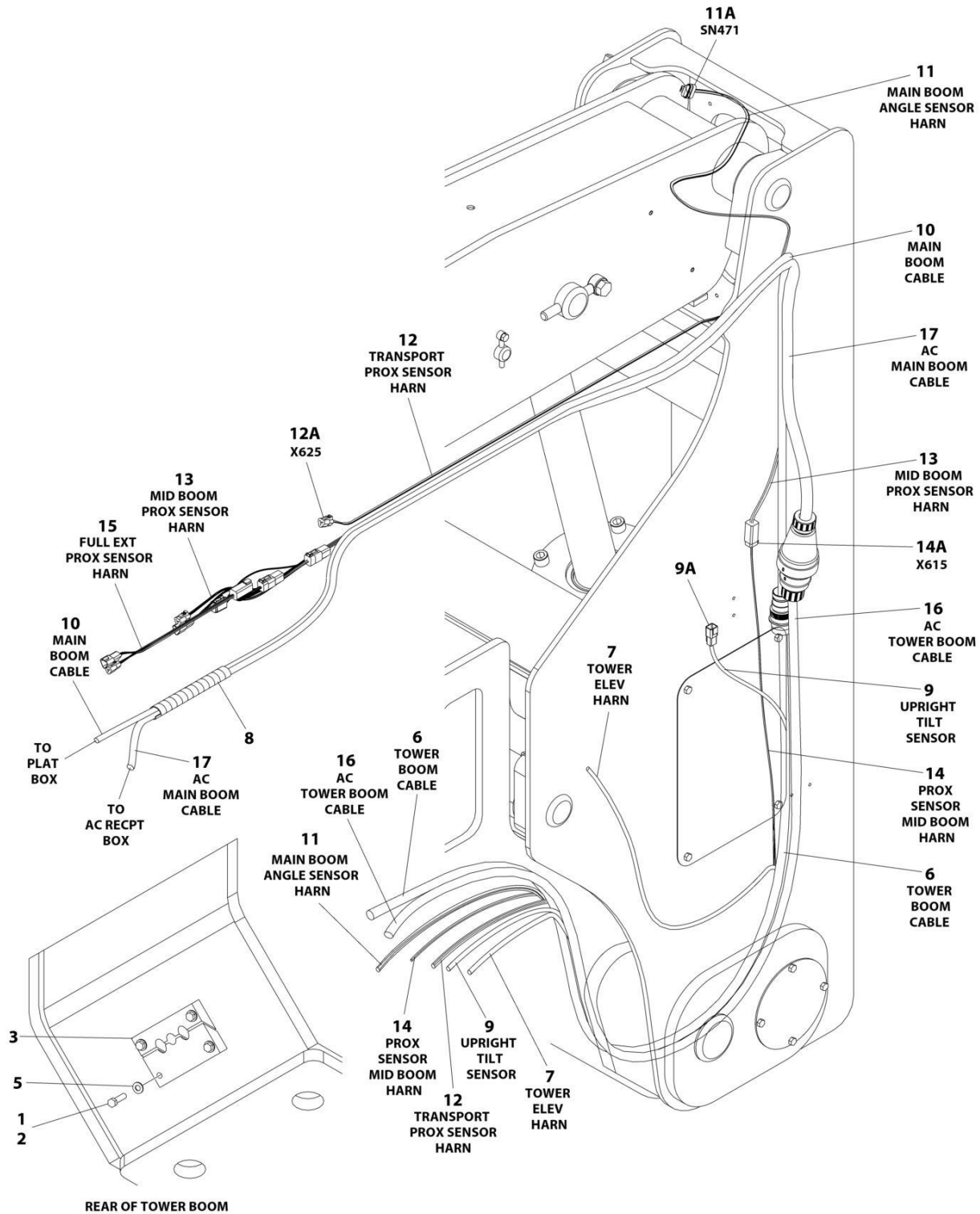
SECTION 8 - ELECTRICAL

FIGURE 8-24. BOOM CABLES INSTALLATION - WITH 4000W GENERATOR (60HZ)

| ITEM | PART NUMBER | QTY | DESCRIPTION | REV |
|------|-------------|-----|--|-----|
| | 1001257904 | Ref | BOOM CABLES INSTALLATION | A |
| 1 | 0100011 | AR | Compound, Locking | |
| 2 | 0641612 | 4 | Bolt 3/8 x 1-1/2 | |
| 3 | 1320256 | 1 | Clamp, Block | |
| 4 | 4240033 | 3 | Tie, Cable (Not Shown) | |
| 5 | 4711600 | 4 | Washer 3/8 | |
| 6 | 4922576 | 1 | Boom Cable - Tower Boom (See Separate Breakdown in this Section) | |
| 7 | 4922578 | 1 | Harness, Tower Boom Elevation Limit Switch | |
| 8 | 1001181923 | 1 | Shield, Cable/Hose | |
| 9 | 1001227359 | 1 | Harness, Tilt Sensor Harness | |
| 9 | 4460944 | 3 | Socket, Female (at GC Box) | |
| 9A | 1001097051 | 1 | Connector - 4 Position | |
| 9A | 1001097082 | 1 | Terminal | |
| 9A | 4460518 | 1 | Plug, Terminal | |
| 10 | 1001227488 | 1 | Boom Cable - Main Boom (See Separate Breakdown in this Section) | |
| 11 | 1001258707 | 1 | Harness, Main Boom Angle Sensor | |
| 11A | 1001230931 | 1 | Connector - 6 Position | |
| 11A | 1001116748 | 6 | Terminal | |
| 12 | 1001258708 | 1 | Harness, Transport Proximity Sensor | |
| 12A | 4460539 | 1 | Plug, Male - 3 Position | |
| 12A | 4460465 | 3 | Socket, Female | |
| 13 | 1001258709 | 1 | Harness, Mid Boom Proximity Sensor (Main Boom) (See Separate Breakdown in ths Section) | |
| 14 | 1001258710 | 1 | Cable, Middle Boom Proximity Sensor, Lower | |
| 14A | 4460894 | 1 | Plug, Male - 6 Position | |
| 14A | 4460465 | 6 | Socket, Female | |
| 15 | 1001258711 | 1 | Cable, Full Extension Proximity Sensor | |
| 16 | 1001156695 | 1 | AC Cable, 10/4 (Main Boom) | |
| 17 | 1001156693 | 1 | AC Cable, 10/4 (Tower Boom) | |

SECTION 8 - ELECTRICAL

FIGURE 8-25. BOOM CABLES INSTALLATION - WITH 7500W SKYPOWER GENERATOR



ART_1001257903

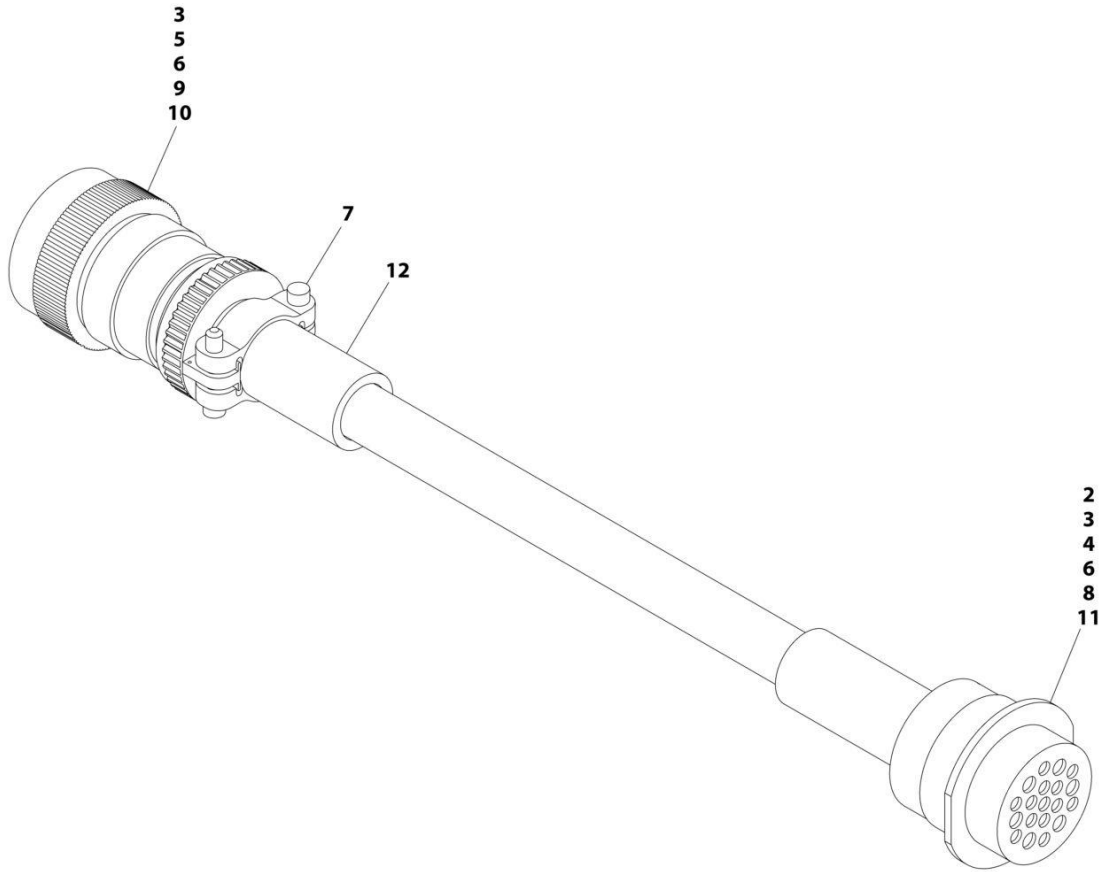
SECTION 8 - ELECTRICAL

FIGURE 8-25. BOOM CABLES INSTALLATION - WITH 7500W SKYPOWER GENERATOR

| ITEM | PART NUMBER | QTY | DESCRIPTION | REV |
|------|-------------|-----|---|-----|
| | 1001257903 | Ref | BOOM CABLES INSTALLATION | A |
| 1 | 0100011 | AR | Compound, Locking | |
| 2 | 0641612 | 4 | Bolt 3/8 x 1-1/2 | |
| 3 | 1320256 | 1 | Clamp, Block | |
| 4 | 4240033 | 3 | Tie, Cable (Not Shown) | |
| 5 | 4711600 | 4 | Washer 3/8 | |
| 6 | 4922576 | 1 | Boom Cable - Tower Boom (See Separate Breakdown in this Section) | |
| 7 | 4922578 | 1 | Harness, Tower Boom Elevation Limit Switch | |
| 8 | 1001181923 | 1 | Shield, Cable/Hose | |
| 9 | 1001227359 | 1 | Harness, Tilt Sensor Harness | |
| 9 | 4460944 | 3 | Socket, Female (at GC Box) | |
| 9A | 1001097051 | 1 | Connector - 4 Position | |
| 9A | 1001097082 | 1 | Terminal | |
| 9A | 4460518 | 1 | Plug, Terminal | |
| 10 | 1001227488 | 1 | Boom Cable - Main Boom (See Separate Breakdown in this Section) | |
| 11 | 1001258707 | 1 | Harness, Main Boom Angle Sensor | |
| 11A | 1001230931 | 1 | Connector - 6 Position | |
| 11A | 1001116748 | 6 | Terminal | |
| 12 | 1001258708 | 1 | Harness, Transport Proximity Sensor | |
| 12A | 4460539 | 1 | Plug, Male - 3 Position | |
| 12A | 4460465 | 3 | Socket, Female | |
| 13 | 1001258709 | 1 | Harness, Mid Boom Proximity Sensor (Main Boom) (See Separate Breakdown in this Section) | |
| 14 | 1001258710 | 1 | Cable, Middle Boom Proximity Sensor, Lower | |
| 14A | 4460894 | 1 | Plug, Male - 6 Position | |
| 14A | 4460465 | 6 | Socket, Female | |
| 15 | 1001258711 | 1 | Cable, Full Extension Proximity Sensor | |
| 16 | 1001125125 | 1 | AC Cable, 8/5 (Tower Boom) | |
| 17 | 1001125127 | 1 | AC Cable, 8/5 (Main Boom) | |

SECTION 8 - ELECTRICAL

FIGURE 8-26. BOOM CABLE - MAIN BOOM



ART_1001227488

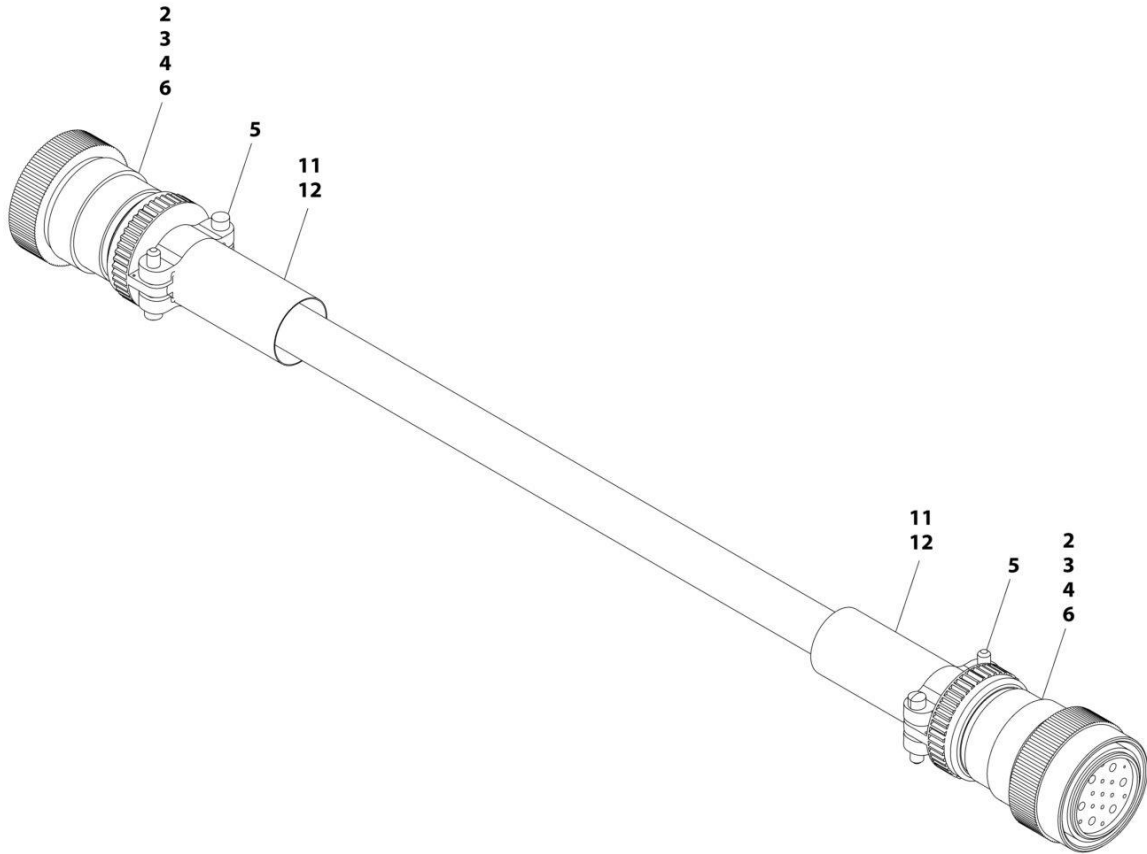
SECTION 8 - ELECTRICAL

FIGURE 8-26. BOOM CABLE - MAIN BOOM

| ITEM | PART NUMBER | QTY | DESCRIPTION | REV |
|------|-------------|-----|-------------------------|-----|
| | 1001227488 | Ref | BOOM CABLE - MAIN BOOM | A |
| 2 | 2820031 | AR | Heatshrink | |
| 3 | 2820118 | AR | Heatshrink, Clear | |
| 4 | 4460464 | 8 | Pin, Male | |
| 5 | 4460465 | 11 | Socket, Female | |
| 6 | 4460466 | 11 | Plug, Terminal | |
| 7 | 4460473 | 1 | Clamp | |
| 8 | 4460508 | 4 | Pin, Male | |
| 9 | 4460509 | 4 | Socket, Female | |
| 10 | 4460865 | 1 | Connector - 19 Position | |
| 11 | 4460866 | 1 | Connector - 19 Position | |
| 12 | 1001226400 | 1 | Insulate, Heatshrink | |

SECTION 8 - ELECTRICAL

FIGURE 8-27. BOOM CABLE (TOWER BOOM)



ART_4922576

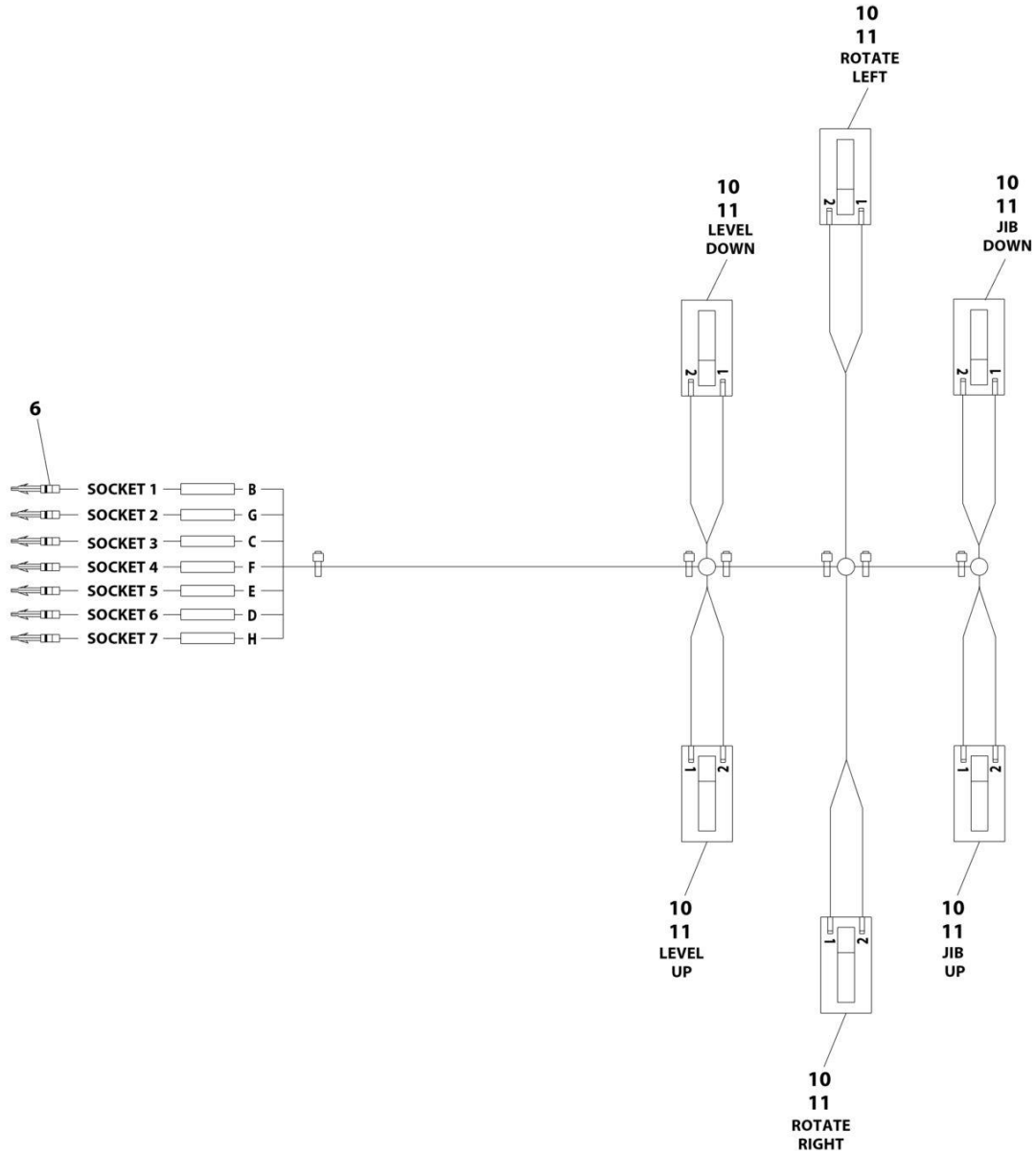
SECTION 8 - ELECTRICAL

FIGURE 8-27. BOOM CABLE (TOWER BOOM)

| ITEM | PART NUMBER | QTY | DESCRIPTION | REV |
|------|-------------|-----|-------------------------|-----|
| | 4922576 | Ref | BOOM CABLE - TOWER BOOM | A |
| 2 | 4460465 | 22 | Socket, Female | |
| 3 | 4460865 | 2 | Connector - 19 Position | |
| 4 | 4460509 | 8 | Socket, Female | |
| 5 | 4460473 | 2 | Clamp | |
| 6 | 4460466 | 8 | Plug, Terminal | |
| 11 | 2820118 | AR | Heatshrink, Clear | |
| 12 | 1001226400 | AR | Insulate, Heatshrink | |

SECTION 8 - ELECTRICAL

FIGURE 8-28. BOOM VALVE HARNESS



ART_1001139135

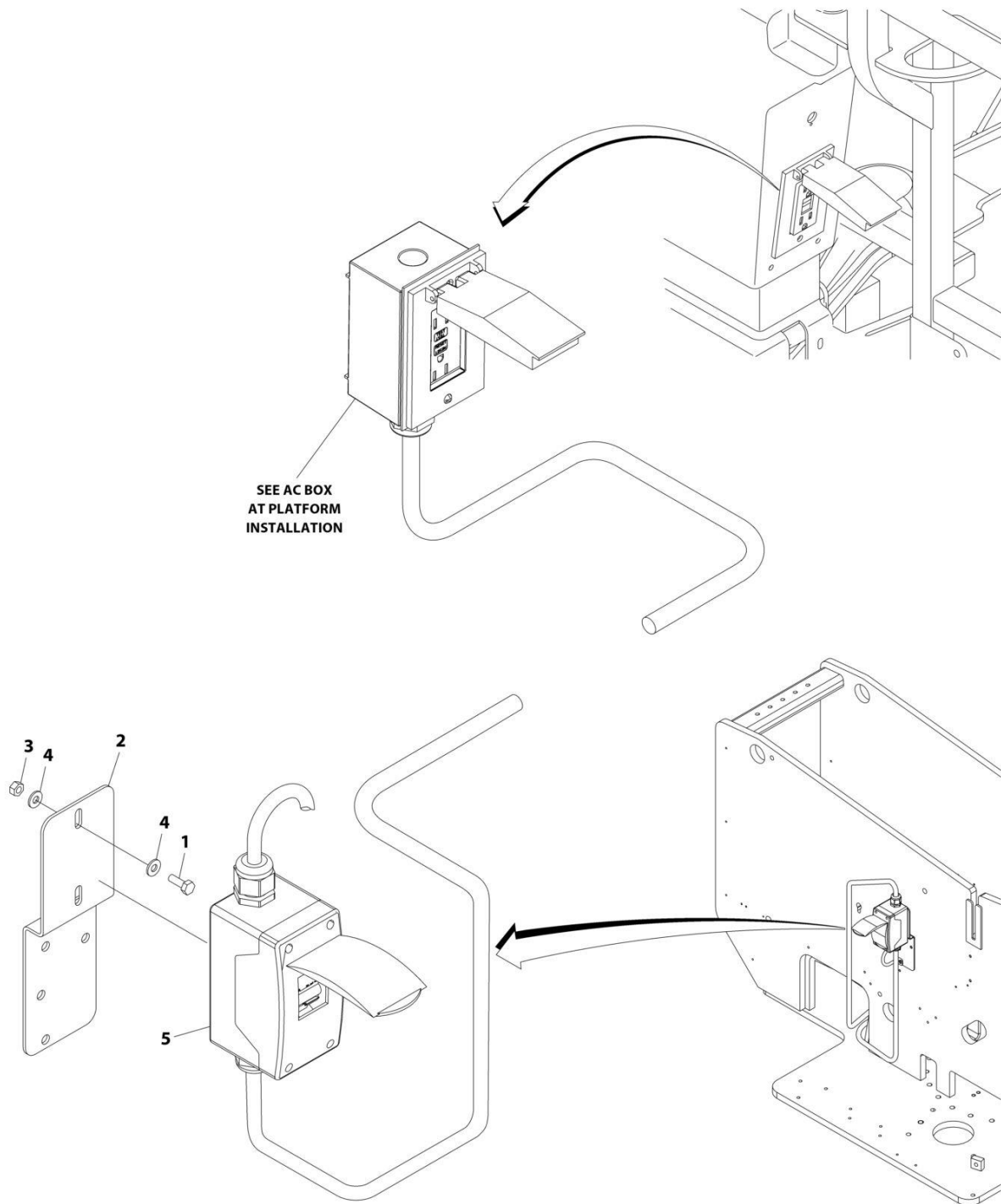
SECTION 8 - ELECTRICAL

FIGURE 8-28. BOOM VALVE HARNESS

| ITEM | PART NUMBER | QTY | DESCRIPTION | REV |
|------|-------------|-----|--------------------|-----|
| | 1001139135 | Ref | BOOM VALVE HARNESS | 3 |
| 6 | 4460226 | 7 | Terminal, Socket | |
| 10 | 4460891 | 6 | Deutsch connector | |
| 11 | 1001116692 | 12 | Socket | |

SECTION 8 - ELECTRICAL

FIGURE 8-29. BREAKER BOX INSTALLATION (BRAZIL SPECS)



ART_1001171016

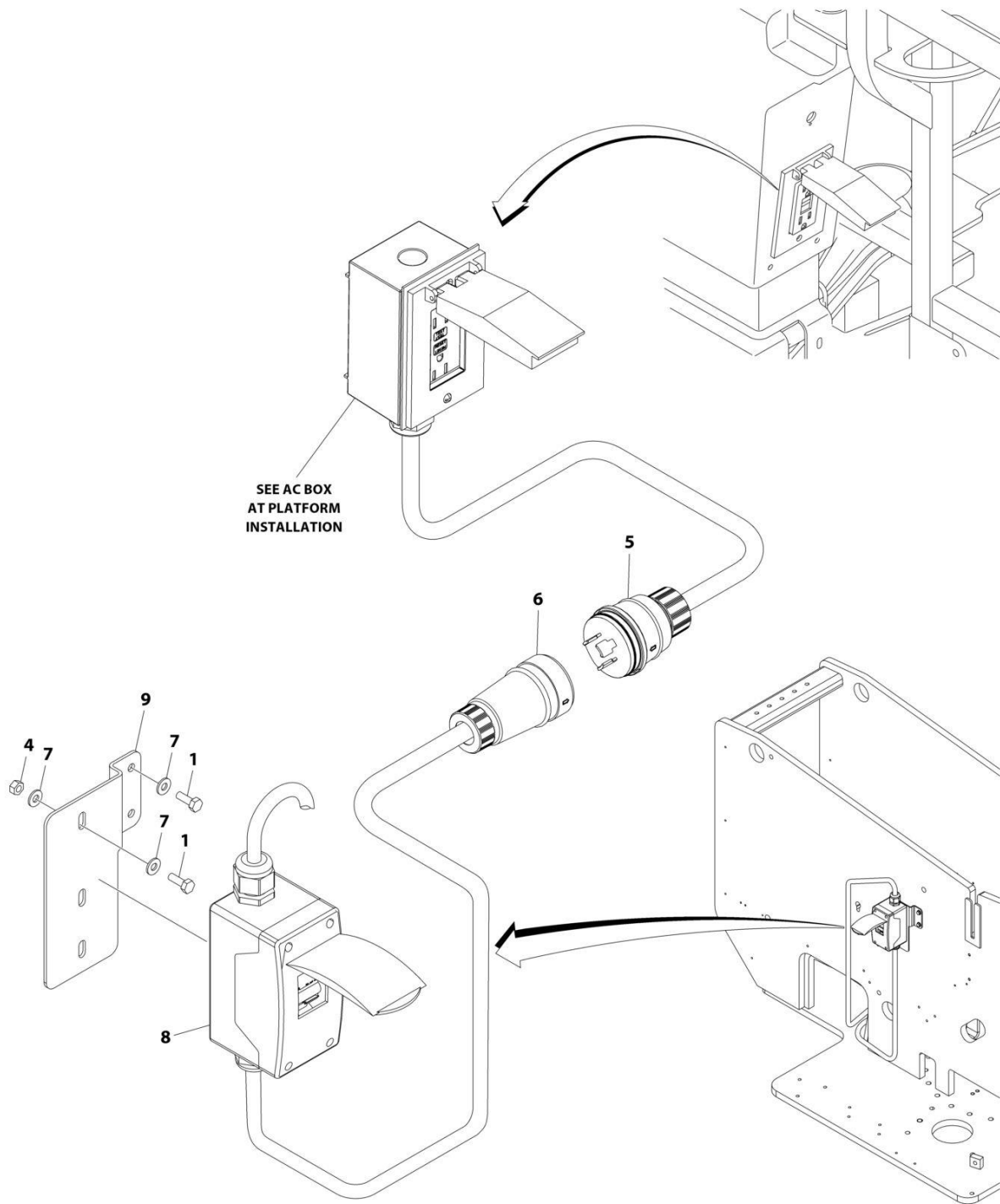
SECTION 8 - ELECTRICAL

FIGURE 8-29. BREAKER BOX INSTALLATION (BRAZIL SPECS)

| ITEM | PART NUMBER | QTY | DESCRIPTION | REV |
|------|-------------|-----|--|-----|
| | 1001171016 | Ref | AC BREAKER BOX INSTALLATION | A |
| 1 | 0641406 | 2 | Bolt 1/4 x 3/4 | |
| 2 | 0903697 | 1 | Bracket | |
| 3 | 3311405 | 2 | Nut 1/4 | |
| 4 | 4711400 | 4 | Washer 1/4 | |
| 5 | 1001109654 | 1 | Breaker Box Kit - With 2 Breakers (See Separate Breakdown in this Section) | |

SECTION 8 - ELECTRICAL

FIGURE 8-30. BREAKER BOX INSTALLATION (CE SPECS WITHOUT 4000W GENERATOR)



ART_1001177710

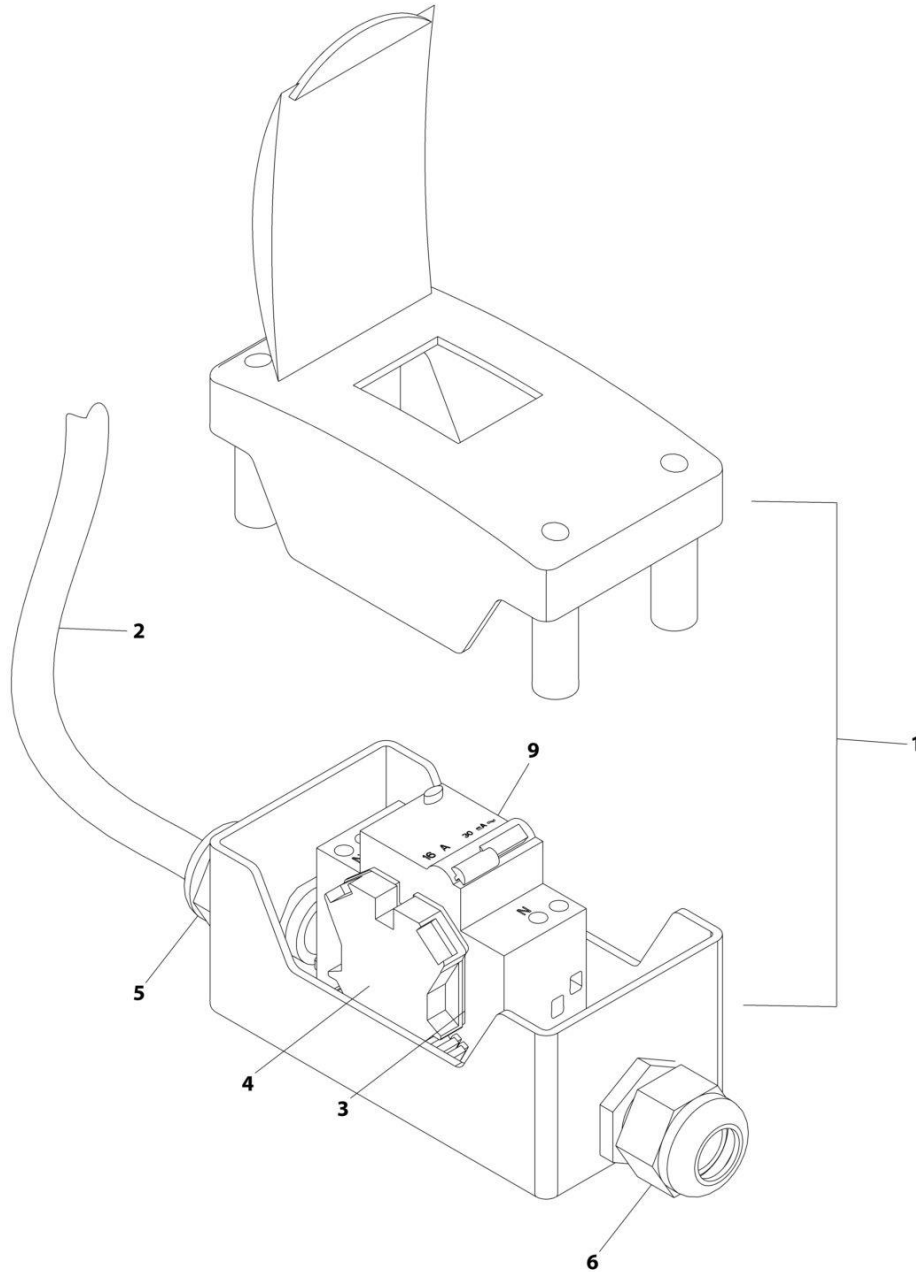
SECTION 8 - ELECTRICAL

FIGURE 8-30. BREAKER BOX INSTALLATION (CE SPECS WITHOUT 4000W GENERATOR)

| ITEM | PART NUMBER | QTY | DESCRIPTION | REV |
|------|-------------|-----|--|-----|
| | 1001177710 | Ref | AC BREAKER BOX INSTALLATION | C |
| 1 | 0641406 | 4 | Bolt 1/4 x 3/4 | |
| 4 | 3311405 | 2 | Nut 1/4 | |
| 5 | 1001213584 | 1 | Plug, Male | |
| 6 | 1001213585 | 1 | Receptacle, Female | |
| 7 | 4711400 | 6 | Washer 1/4 | |
| 8 | 1001109654 | 1 | Breaker Box Kit - With 2 Breakers (See Separate Breakdown in this Section) | |
| 9 | 1001177035 | 1 | Bracket | |

SECTION 8 - ELECTRICAL

FIGURE 8-31. BREAKER BOX KIT - ONE DOUBLE 16AMP BREAKER (BRAZIL SPECS & CE SPECS WITHOUT 4000W GENERATOR)



ART_1001109654

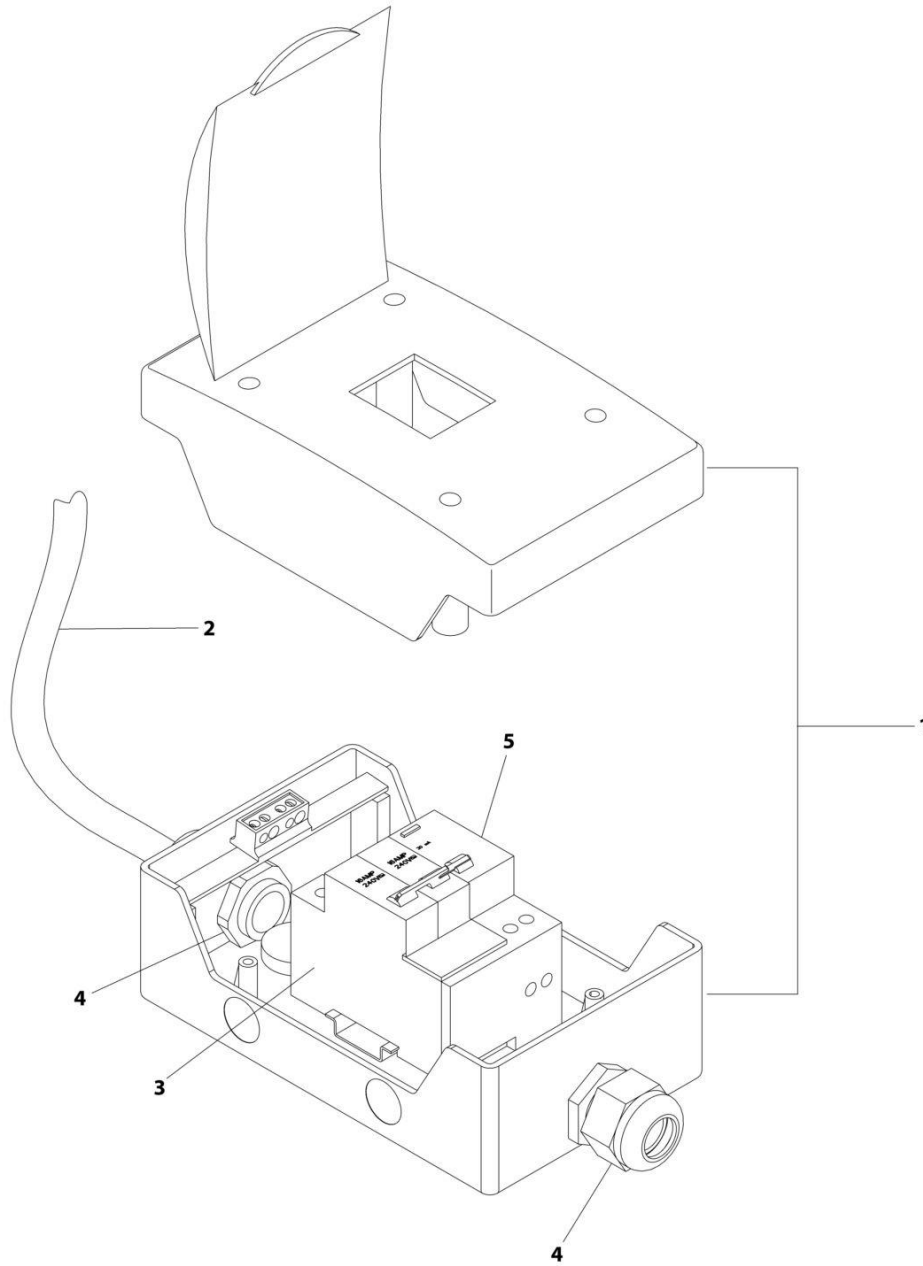
SECTION 8 - ELECTRICAL

FIGURE 8-31. BREAKER BOX KIT - ONE DOUBLE 16AMP BREAKER (BRAZIL SPECS & CE SPECS WITHOUT 4000W GENERATOR)

| ITEM | PART NUMBER | QTY | DESCRIPTION | REV |
|------|-------------|----------------|-----------------------------|-----|
| | 1001109654 | Ref | BREAKER BOX KIT | B |
| 1 | 0861880 | 1 | Box, Breaker | |
| 2 | 1060908 | 12 ft/ 3.6m | Cable 12/3 | |
| 3 | 4460956 | 1 | Barrier, Terminal Block End | |
| 4 | 4460957 | 1 | Block, Terminal | |
| 5 | 1001097150 | 1 | Connector, Strain Relief | |
| 6 | 1001101191 | 1 | Connector, Strain Relief | |
| 9 | 1001181045 | 1 | Breaker - 30mA/16Amp | |

SECTION 8 - ELECTRICAL

FIGURE 8-32. BREAKER BOX KIT - WITH 3 BREAKERS (CE SPECS WITH 4000W GENERATOR)



ART_1001205690

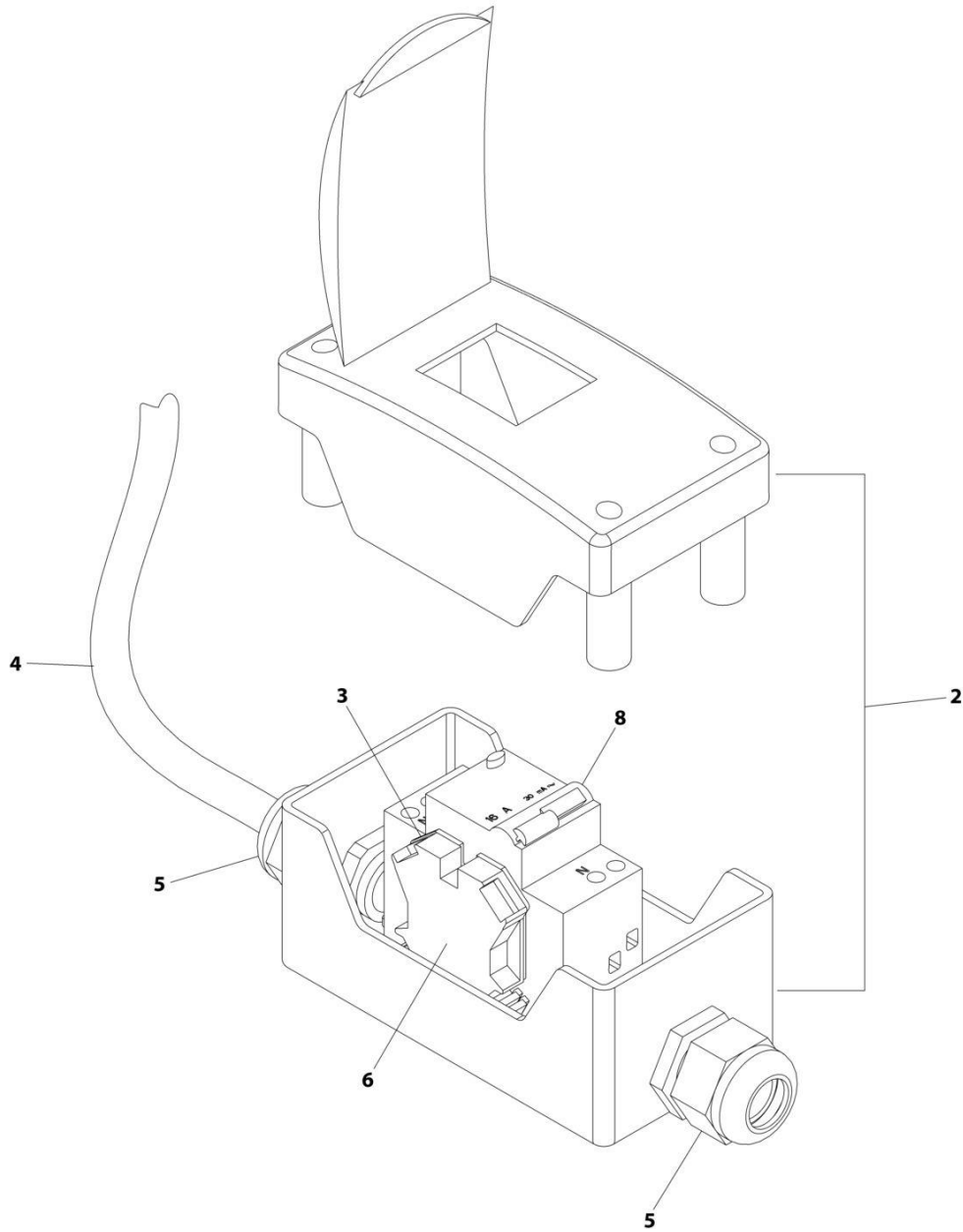
SECTION 8 - ELECTRICAL

FIGURE 8-32. BREAKER BOX KIT - WITH 3 BREAKERS (CE SPECS WITH 4000W GENERATOR)

| ITEM | PART NUMBER | QTY | DESCRIPTION | REV |
|------|-------------|-----------------|--------------------------|-----|
| | 1001205690 | Ref | BREAKER BOX KIT | A |
| 1 | 1001152483 | 1 | Box, Breaker | |
| 2 | 1060545 | 12 ft / 3.6m | Cable, Electrical 10/3 | |
| 3 | 1001189172 | 1 | Breaker 16Amp Double | |
| 4 | 1001101191 | 2 | Connector, Strain Relief | |
| 5 | 1001189171 | 1 | Breaker 30mA | |

SECTION 8 - ELECTRICAL

FIGURE 8-33. BREAKER BOX KIT - ONE DOUBLE 16AMP BREAKER (CE SPECS WITH 4000W GENERATOR)



ART_1001165368_B

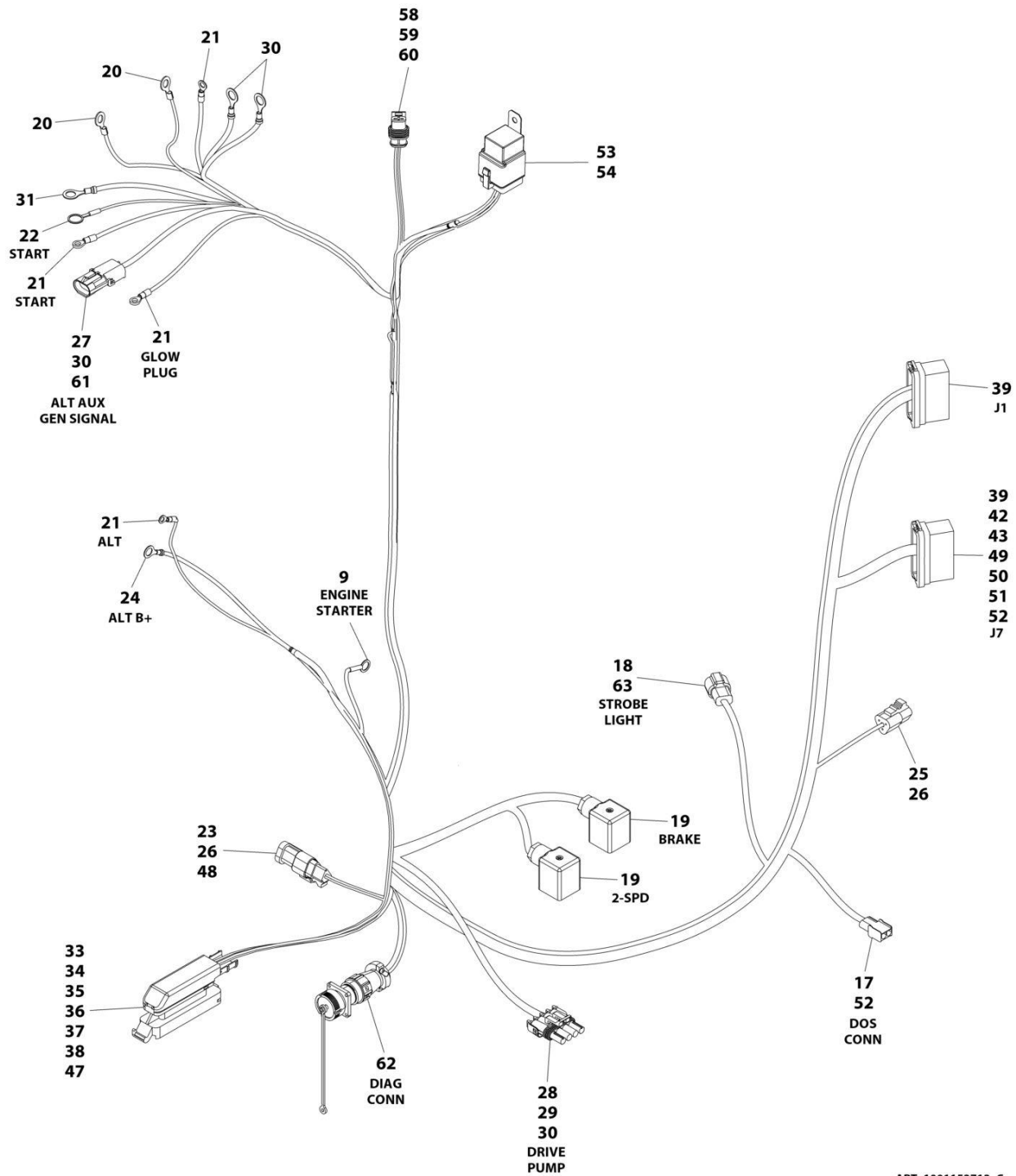
SECTION 8 - ELECTRICAL

FIGURE 8-33. BREAKER BOX KIT - ONE DOUBLE 16AMP BREAKER (CE SPECS WITH 4000W GENERATOR)

| ITEM | PART NUMBER | QTY | DESCRIPTION | REV |
|------|-------------|----------------|-----------------------------|-----|
| | 1001165368 | Ref | BREAKER BOX KIT | B |
| 2 | 0861880 | 1 | Box, Circuit Breaker | |
| 3 | 4460956 | 1 | Barrier, Terminal Block End | |
| 4 | 1060545 | 12 ft/ 3.6m | Cable, Electrical 10/3 | |
| 5 | 1001101191 | 2 | Connector, Strain Relief | |
| 6 | 4460957 | 1 | Block, Terminal | |
| 8 | 1001181045 | 1 | Breaker 30mA/16Amp | |

SECTION 8 - ELECTRICAL

FIGURE 8-34. ENGINE HARNESS - DEUTZ D2011 ENGINES



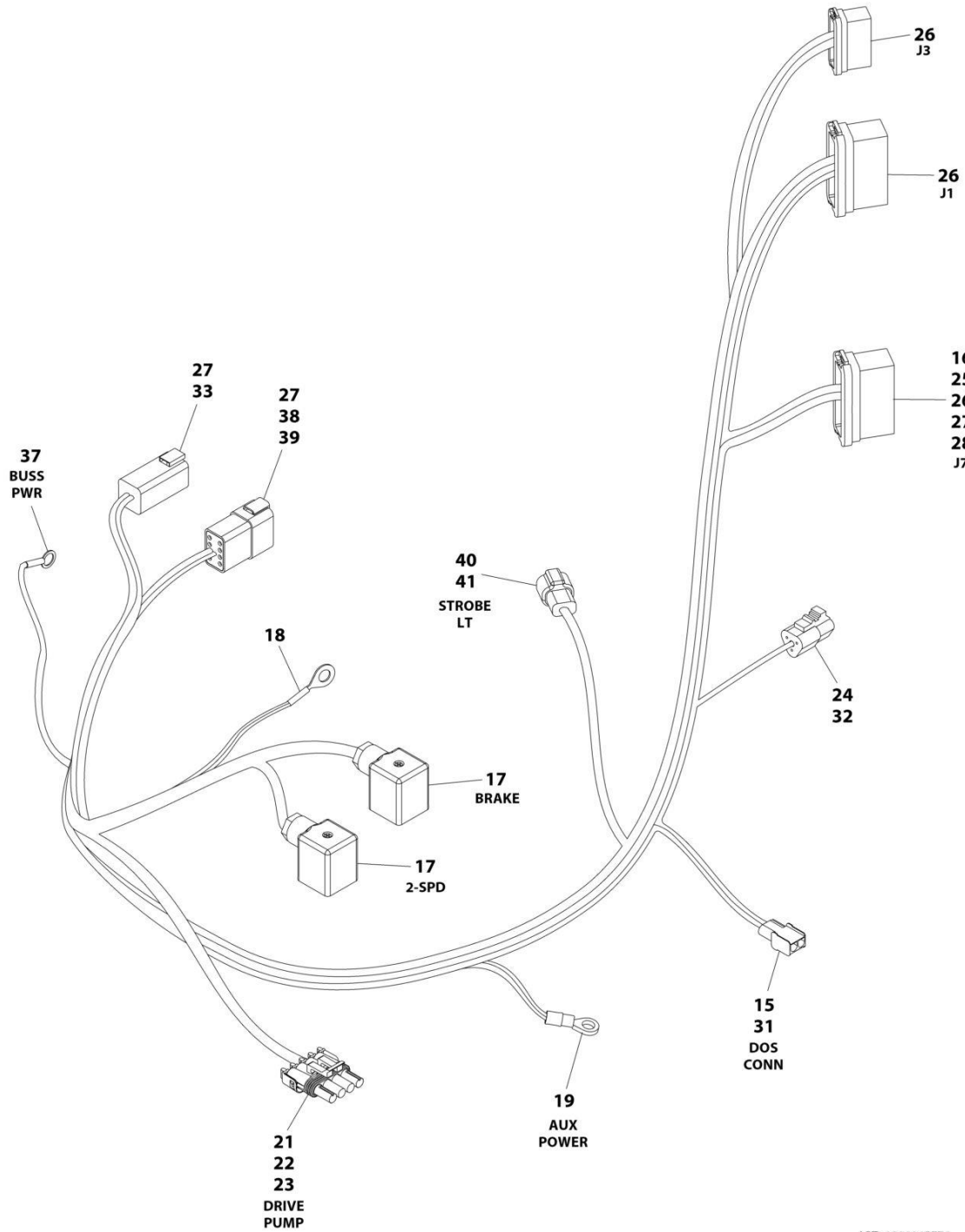
SECTION 8 - ELECTRICAL

FIGURE 8-34. ENGINE HARNESS - DEUTZ D2011 ENGINES

| ITEM | PART NUMBER | QTY | DESCRIPTION | REV |
|------|-------------|-----|--------------------------------------|-----|
| | 1001153713 | Ref | ENGINE HARNESS - DEUTZ D2011 ENGINES | C |
| 9 | 4460142 | 1 | Terminal - Ring | |
| 17 | 4460424 | 1 | Connector - 2 Position | |
| 18 | 4460464 | 2 | Pin, Male | |
| 19 | 1001263923 | 2 | Connector, Din | |
| 20 | 4460312 | 2 | Terminal, Ring | |
| 21 | 4460313 | 4 | Terminal, Ring | |
| 22 | 4460019 | 1 | Terminal, Ring | |
| 23 | 4461070 | 1 | Connector - 3 Position | |
| 24 | 4460043 | 1 | Terminal, Ring 16 GA 1/4 Stud | |
| 25 | 4460539 | 1 | Position Plug, Male - 3 Position | |
| 26 | 4460944 | 6 | Socket, Female | |
| 27 | 4460979 | 2 | Pin, Male | |
| 28 | 4460460 | 1 | Connector | |
| 29 | 4460457 | 4 | Sleeve | |
| 30 | 4460458 | 6 | Seal | |
| 31 | 4460670 | 3 | Terminal, Ring | |
| 33 | 4461052 | 1 | Conenctor - 25 Position | |
| 34 | 4461005 | 5 | Terminal | |
| 35 | 4461060 | 2 | Terminal | |
| 36 | 4461006 | 5 | Seal | |
| 37 | 4461054 | 2 | Seal | |
| 38 | 4461008 | 18 | Plug, Terminal | |
| 39 | 4460871 | 10 | Socket, Female | |
| 42 | 4460464 | 1 | Terminal | |
| 43 | 4460887 | 1 | Terminal | |
| 47 | 4461053 | 1 | Cover | |
| 48 | 4461095 | 1 | Plug, Male - 3 Position | |
| 49 | 4460465 | 2 | Socket, Female | |
| 50 | 4460259 | 1 | Terminal | |
| 51 | 4460260 | 1 | Cover, Terminal | |
| 52 | 4460226 | 4 | Socket, Female | |
| 53 | 4460374 | 1 | Plug | |
| 54 | 4460375 | 4 | Terminal | |
| 58 | 1001102290 | 1 | Connector | |
| 59 | 1001102304 | 2 | Seal | |
| 60 | 1001102291 | 2 | Terminal | |
| 61 | 4461157 | 1 | Connector - 2 Position | |
| 62 | 2902443 | 1 | Kit, Receptacle | |
| 62 | 4461073 | 1 | Cap, Dust | |
| 63 | 4460897 | 1 | Connector | |

SECTION 8 - ELECTRICAL

FIGURE 8-35. ENGINE HARNESS - DEUTZ TD2.9L4 ENGINES



ART_1001165776

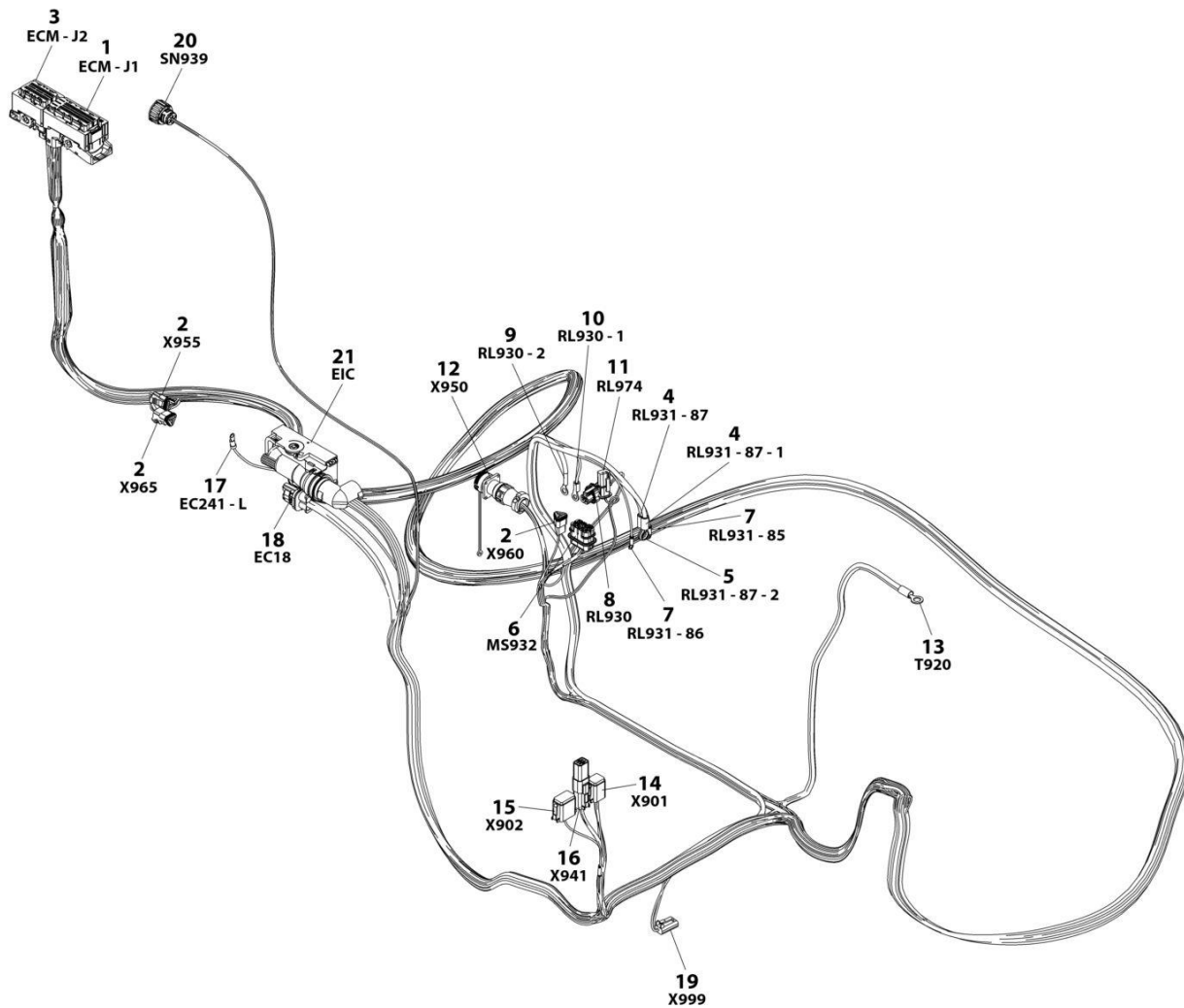
SECTION 8 - ELECTRICAL

FIGURE 8-35. ENGINE HARNESS - DEUTZ TD2.9L4 ENGINES

| ITEM | PART NUMBER | QTY | DESCRIPTION | REV |
|------|-------------|-----|--|-----|
| | 1001165776 | Ref | ENGINE HARNESS - DEUTZ TD2.9L4 ENGINES | F |
| 15 | 4460424 | 1 | Connector - 2 Position | |
| 16 | 4460268 | 1 | Socket, Female | |
| 17 | 4460880 | 2 | Connector, Din | |
| 18 | 4460019 | 1 | Terminal, Ring | |
| 19 | 4460313 | 1 | Terminal, Ring | |
| 21 | 4460460 | 1 | Connector | |
| 22 | 4460457 | 4 | Terminal | |
| 23 | 4460458 | 4 | Seal | |
| 24 | 4460539 | 1 | Connector - 3 Position | |
| 25 | 4460465 | 3 | Socket, Female | |
| 26 | 4460871 | 11 | Socket, Female | |
| 27 | 4460464 | 11 | Pin, Male | |
| 28 | 4460887 | 1 | Terminal | |
| 31 | 4460226 | 2 | Socket, Female | |
| 32 | 4460944 | 3 | Socket, Female | |
| 33 | 4460899 | 1 | Receptacle, Female - 6 Position | |
| 37 | 4460738 | 1 | Terminal, Ring | |
| 38 | 4460931 | 1 | Plug, Male | |
| 39 | 4460466 | 4 | Plug, Terminal | |
| 40 | 4460897 | 1 | Connector - 2 Position | |
| 41 | 1001116693 | 2 | Terminal | |

SECTION 8 - ELECTRICAL

FIGURE 8-36. ENGINE HARNESS - DEUTZ TD2.9L4 ENGINES AND DEUTZ TD2.9L4 (STAGE V PRE-BUY) ENGINES



ART_1001143726

SECTION 8 - ELECTRICAL

FIGURE 8-36. ENGINE HARNESS - DEUTZ TD2.9L4 ENGINES AND DEUTZ TD2.9L4 (STAGE V PRE-BUY) ENGINES

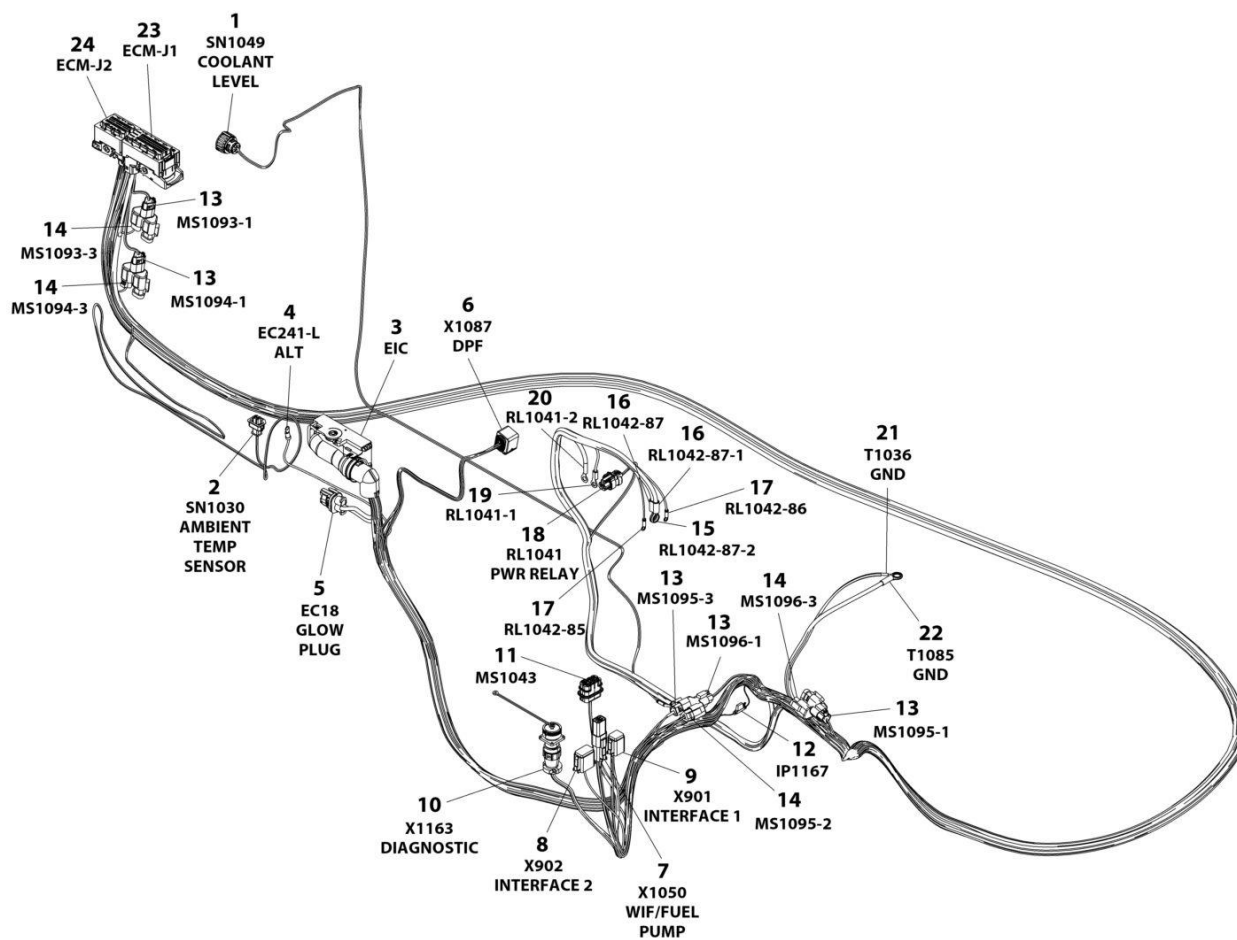
| ITEM | PART NUMBER | QTY | DESCRIPTION | REV |
|------|-------------|-----|----------------------------------|-----|
| | 1001143726 | Ref | ENGINE HARNESS | L |
| 1 | 1001133956 | 1 | Connector - 94 Position | |
| 1 | 1001126351 | 2 | Terminal | |
| 1 | 1001126352 | 6 | Terminal | |
| 1 | 1001126384 | 21 | Terminal | |
| 1 | 1001126357 | 2 | Plug, Terminal | |
| 1 | 1001126356 | 63 | Plug, Terminal | |
| 2 | 4461095 | 3 | Plug, Male - 3 Position | |
| 2 | 4460944 | 6 | Socket, Female | |
| 2 | 4460466 | 3 | Plug, Terminal | |
| 3 | 1001133957 | 1 | Connector - 60 Position | |
| 3 | 1001126351 | 13 | Terminal | |
| 3 | 1001126384 | 17 | Terminal | |
| 3 | 1001126357 | 11 | Plug, Terminal | |
| 3 | 1001126356 | 19 | Plug, Terminal | |
| 4 | 1001117107 | 2 | Terminal, Ring | |
| 5 | 4460703 | 1 | Terminal, Ring | |
| 6 | 80484084 | 1 | Plug, Male - 8 Position | |
| 6 | 8229242 | 1 | Fuse - 5Amp | |
| 6 | 80983191 | 1 | Fuse - 10Amp | |
| 6 | 1001116728 | 4 | Socket, Female | |
| 6 | 1001116727 | 4 | Plug, Terminal | |
| 6 | 4460458 | 4 | Seal, Terminal | |
| 6 | 1001147264 | 1 | Cap | |
| 7 | 4460247 | 2 | Terminal, Ring | |
| 8 | 1001116952 | 1 | Plug, Male - 2 Position | |
| 8 | 4460465 | 2 | Socket, Female | |
| 9 | 1001117106 | 1 | Terminal, Ring | |
| 10 | 4460043 | 1 | Terminal, Ring | |
| 11 | 1001138110 | 1 | Connector - 2 Position | |
| 11 | 1001138111 | 2 | Terminal | |
| 11 | 1001138113 | 2 | Seal | |
| 12 | 2902443 | 1 | Receptacle Kit | |
| 12 | 4461073 | 1 | Cap, Dust | |
| 12 | 4461071 | 6 | Terminal | |
| 13 | 8220115 | 1 | Terminal, Ring | |
| 14 | 4460894 | 1 | Plug, Male - 6 Position | |
| 14 | 4460465 | 3 | Socket, Female | |
| 14 | 4460944 | 2 | Socket, Female | |
| 14 | 4460466 | 1 | Plug, Terminal | |
| 15 | 4460930 | 1 | Plug, Male - 8 Position | |
| 15 | 4460465 | 1 | Socket, Female | |
| 15 | 4460466 | 7 | Plug, Terminal | |
| 16 | 1001220379 | 1 | Plug, Male - 4 Position | |
| 16 | 4460465 | 2 | Socket, Female | |
| 16 | 4460942 | 2 | Socket, Female | |
| 16 | 4460932 | 1 | Receptacle, Bussbar - 4 Position | |
| 17 | 4460042 | 1 | Terminal, Ring | |
| 18 | 1001142938 | 1 | Plug, Male - 2 Position | |

SECTION 8 - ELECTRICAL

| ITEM | PART NUMBER | QTY | DESCRIPTION | REV |
|------|-------------|-----|---------------------------------|-----|
| 18 | 1001142940 | 2 | Terminal | |
| 18 | 1001142941 | 2 | Seal | |
| 19 | 4460465 | 2 | Socket, Female | |
| 19 | 4460891 | 1 | Plug, Male - 4 Position | |
| 19 | 4460897 | 1 | Receptacle, Female - 4 Position | |
| 20 | 1001133714 | 1 | Connector - 4 Position | |
| 20 | 1001133715 | 3 | Terminal | |
| 20 | 1001135650 | 3 | Seal, Terminal | |
| 20 | 1001135651 | 1 | Plug, Terminal | |
| 21 | 1001126362 | 1 | Connector - 62 Position | |
| 21 | 1001126363 | 23 | Terminal | |
| 21 | 1001126392 | 10 | Terminal | |
| 21 | 1001126365 | 2 | Terminal | |
| 21 | 1001126391 | 23 | Plug, Terminal | |
| 21 | 4461008 | 4 | Plug, Terminal | |
| 21 | 1001256506 | 2 | Seal, Terminal | |
| 21 | 1001126364 | 21 | Seal, Terminal | |
| 21 | 1001223459 | 10 | Seal, Terminal | |
| 21 | 4461008 | 4 | Plug, Terminal | |
| 21 | 1001151856 | 1 | Elbow | |

SECTION 8 - ELECTRICAL

FIGURE 8-37. ENGINE HARNESS - DEUTZ TD2.9L4 (STAGE V) ENGINES



ART_1001238878

SECTION 8 - ELECTRICAL

FIGURE 8-37. ENGINE HARNESS - DEUTZ TD2.9L4 (STAGE V) ENGINES

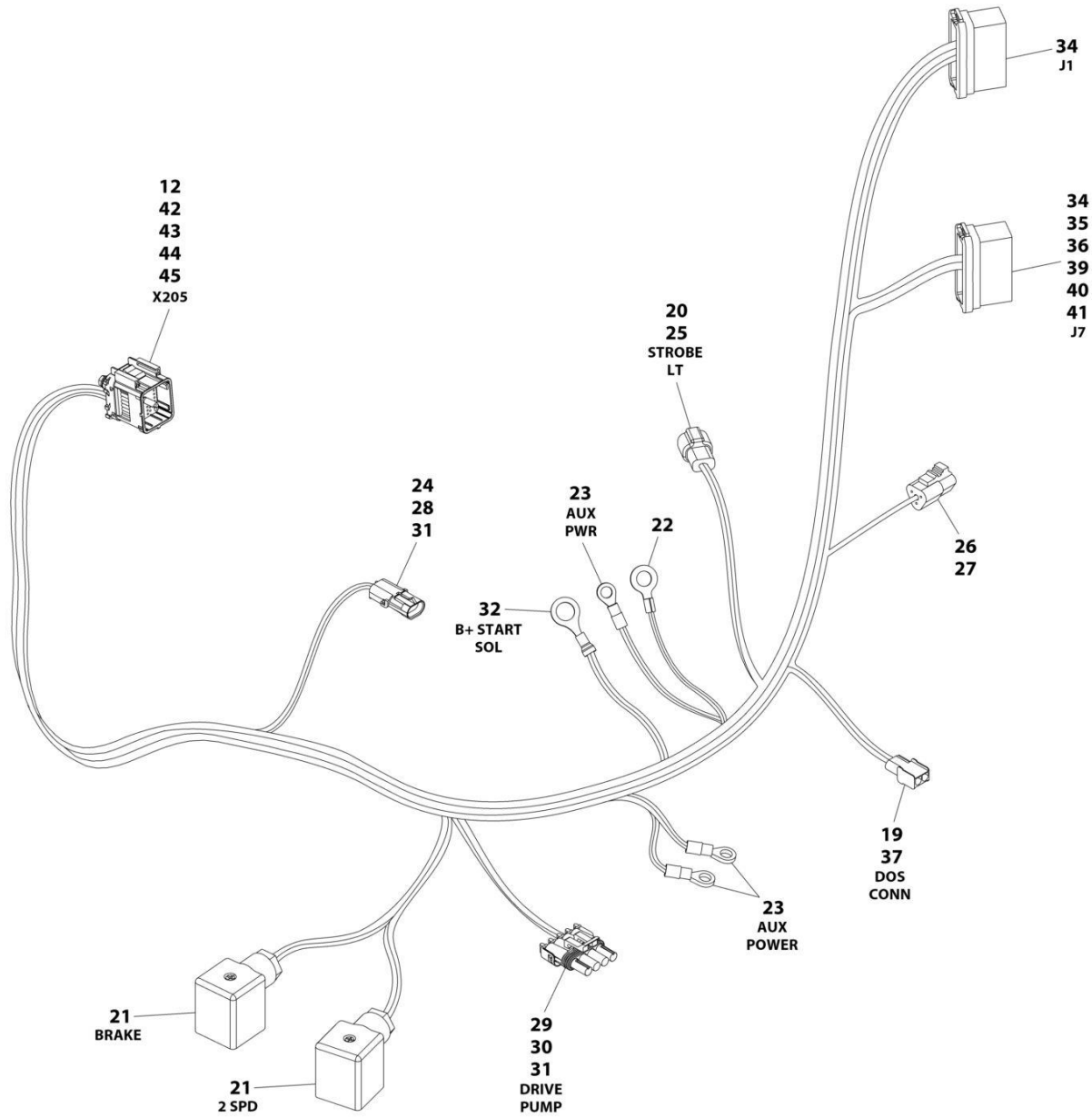
| ITEM | PART NUMBER | QTY | DESCRIPTION | REV |
|------|-------------|-----|--------------------------------|-----|
| | 1001238878 | Ref | Seal, Terminal | D |
| 1 | 1001133714 | 1 | Connector - 4 Position | |
| 1 | 1001133715 | 3 | Terminal | |
| 1 | 1001135650 | 3 | Seal, Terminal | |
| 1 | 1001135651 | 1 | Plug, Terminal | |
| 2 | 1001126487 | 1 | Connector - 2 Position | |
| 2 | 1001167635 | 2 | Terminal | |
| 2 | 1001126485 | 2 | Seal, Terminal | |
| 3 | 1001126362 | 1 | Connector - 62 Position | |
| 3 | 1001126363 | 37 | Terminal | |
| 3 | 1001126392 | 12 | Terminal | |
| 3 | 1001126391 | 7 | Plug, Terminal | |
| 3 | 4461008 | 4 | Plug, Terminal | |
| 3 | 1001167632 | 2 | Terminal | |
| 3 | 1001126364 | 37 | Seal, Terminal | |
| 3 | 1001223459 | 12 | Seal, Terminal | |
| 3 | 4461054 | 2 | Seal, Terminal | |
| 4 | 4460042 | 1 | Terminal, Ring | |
| 5 | 1001142938 | 1 | Plug, Male - 2 Position | |
| 5 | 1001142940 | 2 | Terminal | |
| 5 | 1001142941 | 2 | Seal | |
| 6 | 1001239202 | 1 | Connector - 8 Position | |
| 6 | 1001126363 | 7 | Terminal | |
| 6 | 1001126391 | 1 | Plug, Terminal | |
| 6 | 1001126364 | 7 | Seal, Terminal | |
| 7 | 4460884 | 1 | Connector - 4 Position | |
| 7 | 4460465 | 2 | Socket, Female | |
| 7 | 4460942 | 2 | Socket, Female | |
| 8 | 4460930 | 1 | Plug, Male - 8 Position | |
| 8 | 4460465 | 1 | Socket, Female | |
| 8 | 4460466 | 7 | Plug, Terminal | |
| 9 | 4460894 | 1 | Plug, Male - 6 Position | |
| 9 | 4460465 | 2 | Socket, Female | |
| 9 | 4460944 | 2 | Socket, Female | |
| 9 | 4460466 | 2 | Plug, Terminal | |
| 10 | 2902443 | 1 | Receptacle Kit | |
| 10 | 4461073 | 1 | Cap, Dust | |
| 10 | 4461071 | 6 | Terminal | |
| 11 | 80484084 | 1 | Plug, Male - 8 Position | |
| 11 | 4460748 | 4 | Seal, Terminal | |
| 11 | 4460746 | 3 | Terminal | |
| 11 | 1001234800 | 1 | Terminal | |
| 11 | 4460458 | 4 | Seal, Terminal | |
| 12 | 1001170764 | 1 | Fuse Holder, Includes Resistor | |
| 12 | 1001197719 | 1 | Resistor 0.5W | |
| 13 | 1001116812 | 5 | Plug, Male - 3 Position | |
| 13 | 4460944 | 10 | Socket, Female | |
| 13 | 4460466 | 5 | Plug, Terminal | |
| 14 | 4460539 | 4 | Connector - 3 Position | |
| 14 | 4460944 | 8 | Socket, Female | |

SECTION 8 - ELECTRICAL

| ITEM | PART NUMBER | QTY | DESCRIPTION | REV |
|------|-------------|-----|-------------------------|-----|
| 14 | 4460466 | 4 | Plug, Terminal | |
| 15 | 4460703 | 1 | Terminal, Ring | |
| 16 | 1001117107 | 2 | Terminal, Ring | |
| 17 | 4460247 | 2 | Terminal, Ring | |
| 18 | 1001116952 | 1 | Plug, Male - 2 Position | |
| 18 | 4460465 | 2 | Socket, Female | |
| 19 | 4460043 | 1 | Terminal, Ring | |
| 20 | 1001117106 | 1 | Terminal, Ring | |
| 21 | 4460019 | 1 | Terminal, Ring | |
| 22 | 8220164 | 1 | Terminal, Ring | |
| 23 | 1001133956 | 1 | Connector - 94 Position | |
| 23 | 1001126351 | 3 | Terminal | |
| 23 | 1001182361 | 6 | Terminal | |
| 23 | 1001230934 | 25 | Terminal | |
| 23 | 1001230935 | 55 | Plug, Terminal | |
| 23 | 1001252527 | 4 | Terminal | |
| 23 | 1001230936 | 1 | Plug, Terminal | |
| 23 | 1001182365 | 6 | Seal, Terminal | |
| 24 | 1001133957 | 1 | Connector - 60 Position | |
| 24 | 1001126351 | 13 | Terminal | |
| 24 | 1001230935 | 10 | Plug, Terminal | |
| 24 | 1001230934 | 26 | Terminal | |
| 24 | 1001230936 | 11 | Plug, Terminal | |

SECTION 8 - ELECTRICAL

FIGURE 8-38. ENGINE HARNESS - FORD ENGINES



ART_1001216230

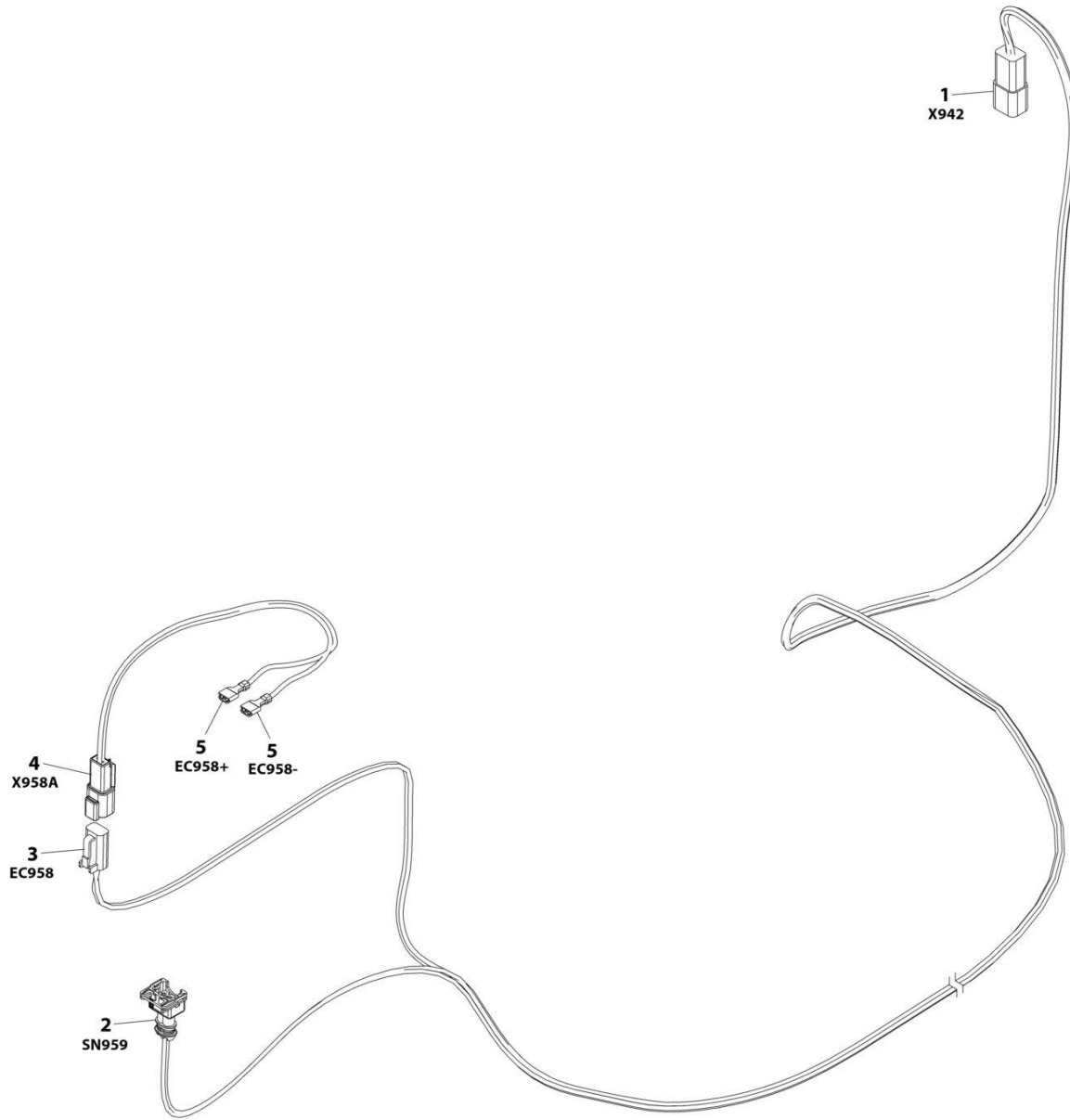
SECTION 8 - ELECTRICAL

FIGURE 8-38. ENGINE HARNESS - FORD ENGINES

| ITEM | PART NUMBER | QTY | DESCRIPTION | REV |
|------|-------------|-----|--|-----|
| | 1001216230 | Ref | ENGINE HARNESS - FORD ENGINES | C |
| 12 | 1001216213 | 3 | Terminal, Plug | |
| 19 | 4460424 | 1 | Connector - 2 Position | |
| 20 | 1001116693 | 2 | Terminal | |
| 21 | 4460880 | 2 | Connector, Din | |
| 22 | 4460312 | 1 | Terminal, Ring | |
| 23 | 4460313 | 3 | Terminal, Ring | |
| 24 | 4460979 | 2 | Terminal | |
| 25 | 4460897 | 1 | Receptacle, Female - 4 Position | |
| 26 | 4460539 | 1 | Plug, Male - 3 Position | |
| 27 | 4460944 | 3 | Socket, Female | |
| 28 | 4461157 | 1 | Connector - 2 Position | |
| 29 | 4460460 | 1 | Connector - 4 Position | |
| 30 | 4460457 | 4 | Sleeve | |
| 31 | 4460458 | 6 | Seal | |
| 32 | 4460738 | 1 | Terminal, Ring | |
| 34 | 4460871 | 9 | Socket | |
| 35 | 4460464 | 1 | Pin, Male | |
| 36 | 4460887 | 1 | Terminal | |
| 37 | 4460226 | 3 | Socket, Female | |
| 39 | 4460465 | 2 | Socket, Female | |
| 40 | 4460259 | 1 | Terminal | |
| 41 | 4460260 | 1 | Cover Terminal | |
| 42 | 1001215016 | NLA | Connector, Ford - 42 Position (Use p/n 1001265676) | |
| 42 | 1001265676 | 1 | Connector, Ford - 42 Position Kit | |
| 43 | 1001215091 | 5 | Terminal | |
| 44 | 1001215534 | 33 | Plug, Terminal | |
| 45 | 1001216212 | 1 | Terminal | |

SECTION 8 - ELECTRICAL

FIGURE 8-39. FUEL PUMP HARNESS - DEUTZ TD2.9L4 ENGINES



ART_1001138491

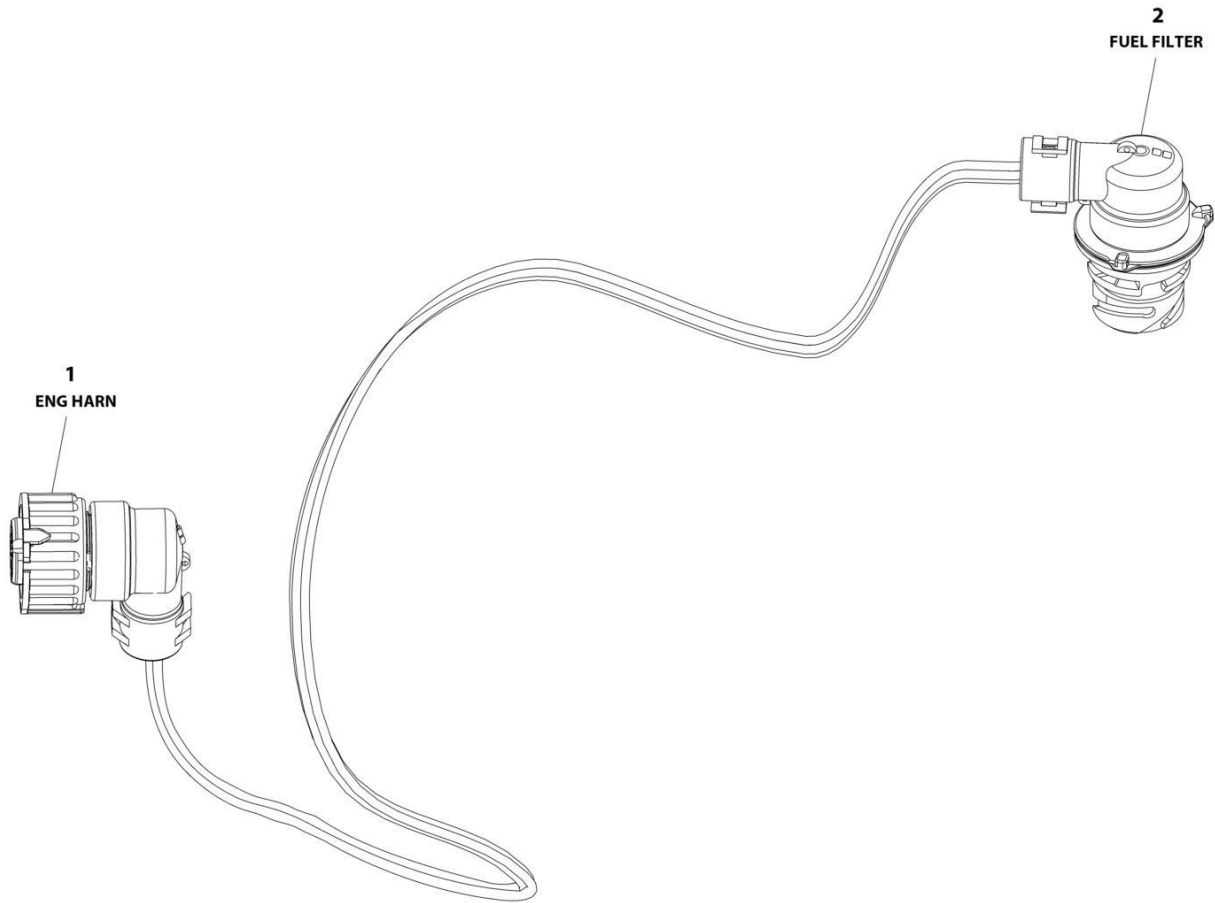
SECTION 8 - ELECTRICAL

FIGURE 8-39. FUEL PUMP HARNESS - DEUTZ TD2.9L4 ENGINES

| ITEM | PART NUMBER | QTY | DESCRIPTION | REV |
|------|-------------|-----|---------------------------------|-----|
| | 1001138491 | Ref | FUEL PUMP HARNESS | D |
| 1 | 4460932 | 1 | Receptacle, Female - 4 Position | |
| 1 | 4460941 | 2 | Pin, Male | |
| 1 | 4460464 | 2 | Pin, Male | |
| 2 | 1001116983 | 1 | Plug, Male - 2 Position | |
| 2 | 1001116710 | 2 | Socket, Female | |
| 2 | 4461054 | 2 | Seal | |
| 3 | 4460891 | 1 | Plug, Male - 2 Position | |
| 3 | 4460942 | 2 | Socket, Female | |
| 4 | 4460897 | 1 | Connector - 2 Position | |
| 4 | 4460941 | 2 | Pin, Male | |
| 5 | 8220051 | 2 | Terminal, Ring | |

SECTION 8 - ELECTRICAL

FIGURE 8-40. FUEL HARNESS - DEUTZ TD2.9L4 (STAGE V) ENGINE



ART_1001245913

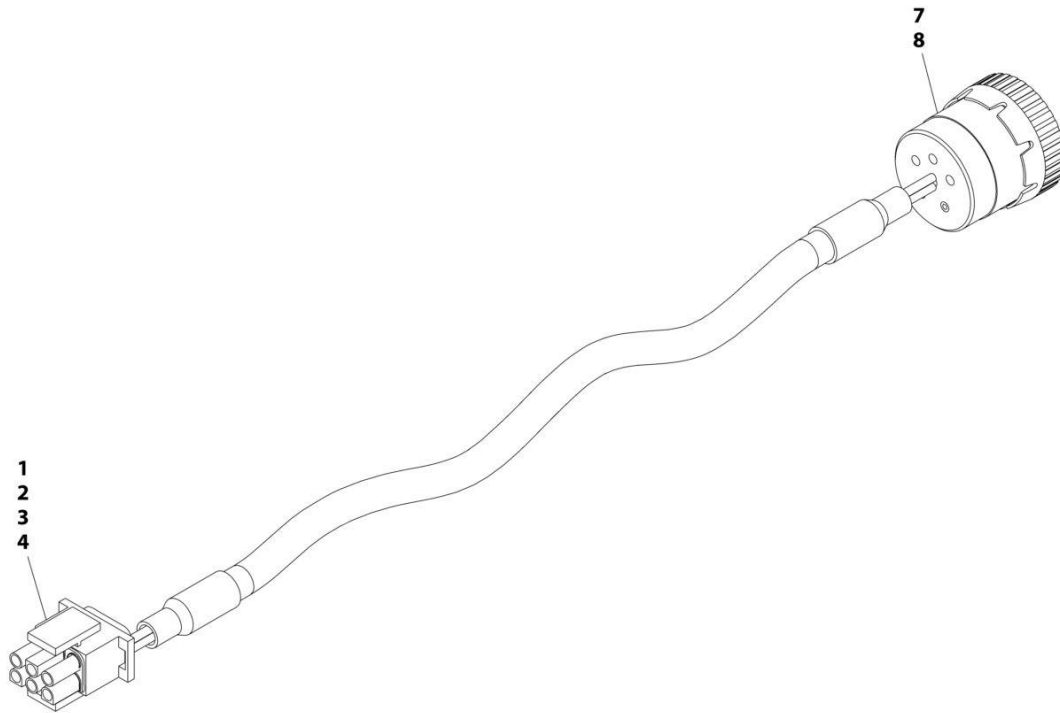
SECTION 8 - ELECTRICAL

FIGURE 8-40. FUEL HARNESS - DEUTZ TD2.9L4 (STAGE V) ENGINE

| ITEM | PART NUMBER | QTY | DESCRIPTION | REV |
|------|-------------|-----|---------------------------------------|-----|
| | 1001245913 | Ref | FUEL HARNESS - DEUTZ (STAGE V) ENGINE | D |
| 1 | 1001148842 | 1 | Connector - 4 Position | |
| 1 | 1001148841 | 4 | Pin, Male | |
| 1 | 1001135650 | 4 | Seal | |
| 2 | 1001133714 | 1 | Plug, Male - 4 Position | |
| 2 | 1001133715 | 4 | Socket, Female | |
| 2 | 1001135650 | 4 | Seal | |

SECTION 8 - ELECTRICAL

FIGURE 8-41. GENERATOR HARNESS - 4000W GENERATOR



ART_1001152532

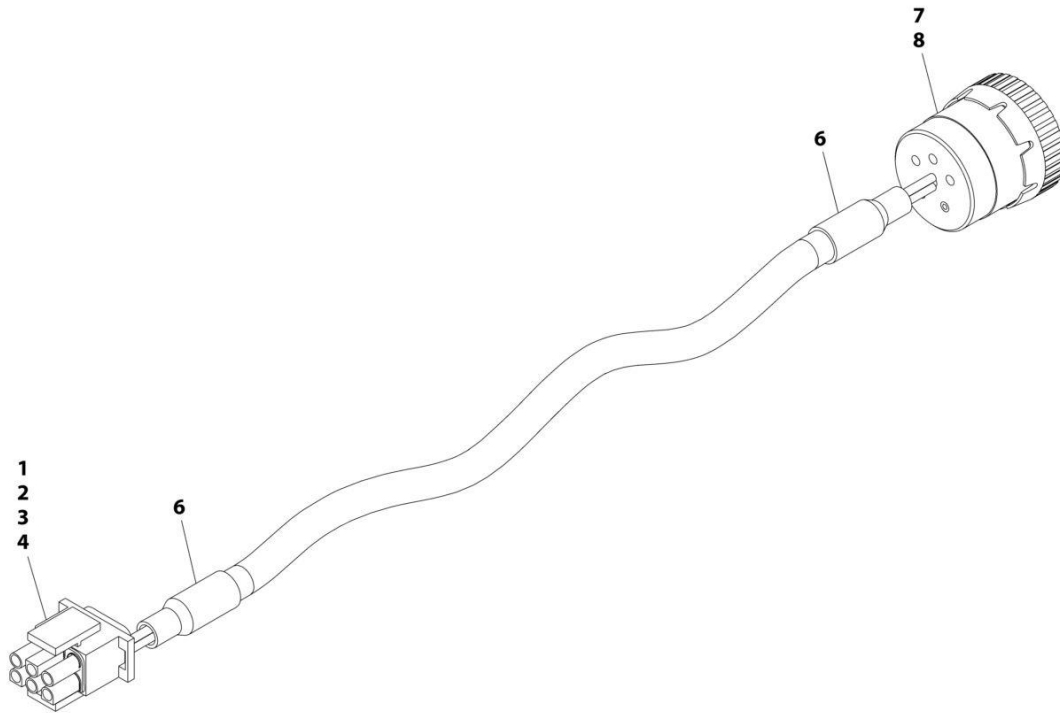
SECTION 8 - ELECTRICAL

FIGURE 8-41. GENERATOR HARNESS - 4000W GENERATOR

| ITEM | PART NUMBER | QTY | DESCRIPTION | REV |
|------|-------------|-----|------------------------|-----|
| | 1001152532 | Ref | GENERATOR HARNESS | A |
| 1 | 4460225 | 1 | Connector - 6 Position | |
| 2 | 4460268 | 2 | Socket, Female | |
| 3 | 4460807 | 1 | Seal | |
| 4 | 4460808 | 1 | Seal | |
| 7 | 4460465 | 2 | Socket, Female | |
| 8 | 77363233 | 1 | Connector - 6 Position | |

SECTION 8 - ELECTRICAL

FIGURE 8-42. GENERATOR HARNESS - 7500W SKYPOWER GENERATOR



ART_4922925

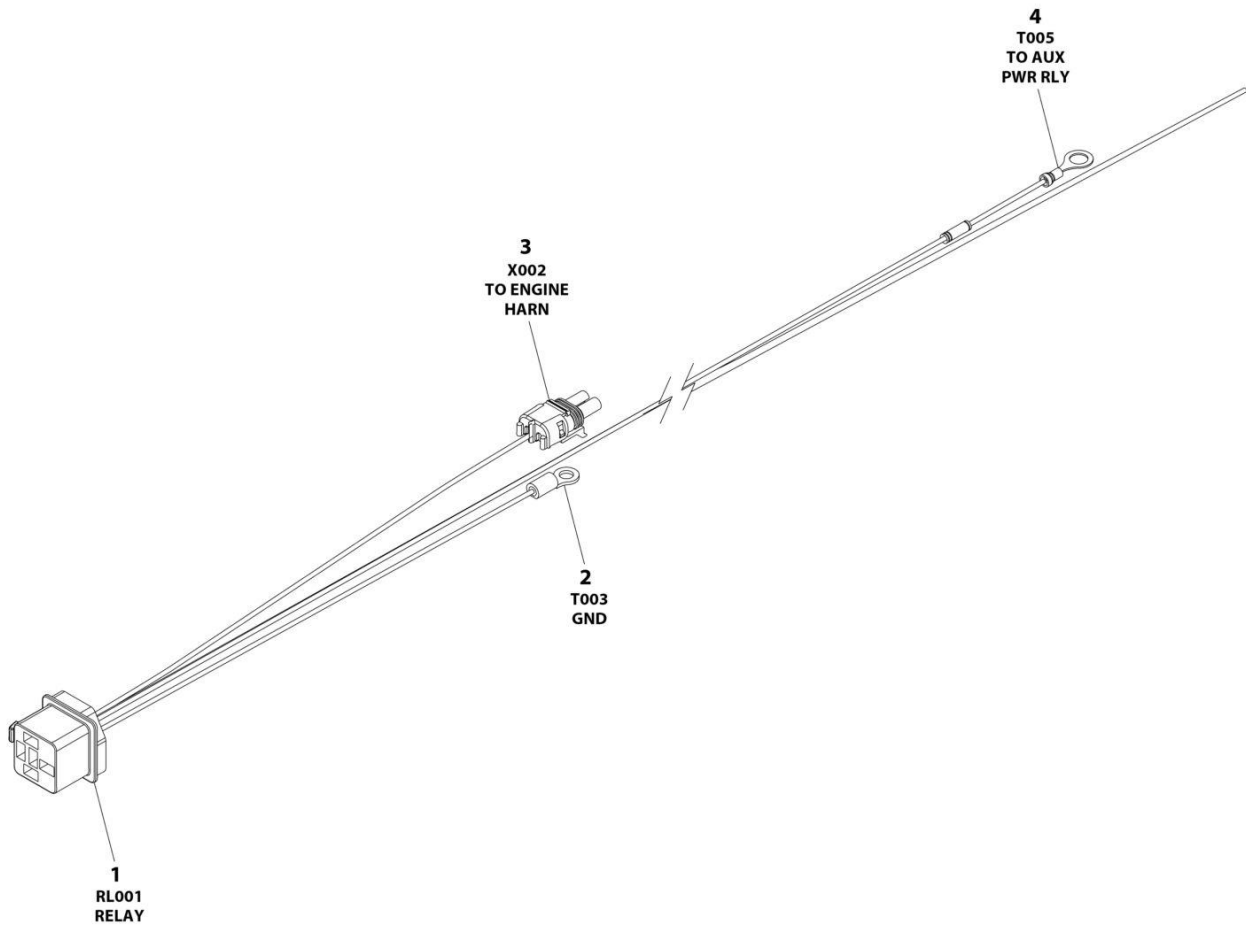
SECTION 8 - ELECTRICAL

FIGURE 8-42. GENERATOR HARNESS - 7500W SKYPOWER GENERATOR

| ITEM | PART NUMBER | QTY | DESCRIPTION | REV |
|------|-------------|-----|--|-----|
| | 4922925 | Ref | GENERATOR TO CONTROL BOX HARNESS (7500W GENERATOR) | C |
| 1 | 4460225 | 1 | Plug, Male - 2 Position | |
| 2 | 4460268 | 6 | Socket, Female | |
| 3 | 4460807 | 1 | Seal | |
| 4 | 4460808 | 1 | Seal | |
| 6 | 2820019 | AR | Heat Shrink | |
| 7 | 4460465 | 6 | Socket, Female | |
| 8 | 77363233 | 1 | Connector - 6 Position | |

SECTION 8 - ELECTRICAL

FIGURE 8-43. GENERATOR TO ENGINE HARNESS - 2500W (FORD ENGINES)



ART_4923445

SECTION 8 - ELECTRICAL

FIGURE 8-43. GENERATOR TO ENGINE HARNESS - 2500W (FORD ENGINES)

| ITEM | PART NUMBER | QTY | DESCRIPTION | REV |
|------|-------------|-----|-----------------------------|-----|
| | 4923445 | Ref | GENERATOR TO ENGINE HARNESS | B |
| 1 | 4460374 | 1 | Plug, Sealed Relay | |
| 1 | 1001116734 | 2 | Socket, Female | |
| 1 | 1001116733 | 2 | Socket, Female | |
| 2 | 4460043 | 1 | Terminal, Ring | |
| 3 | 4460742 | 1 | Plug, Male - 2 Position | |
| 3 | 4460457 | 1 | Socket, Female | |
| 3 | 4460458 | 1 | Seal, Terminal | |
| 3 | 1001116727 | 1 | Plug, Terminal | |
| 4 | 4460670 | 1 | Terminal, Ring | |

SECTION 8 - ELECTRICAL

FIGURE 8-44. GENERATOR TO ENGINE HARNESS - 4000W (DEUTZ D2011 ENGINES)



ART_1001153197

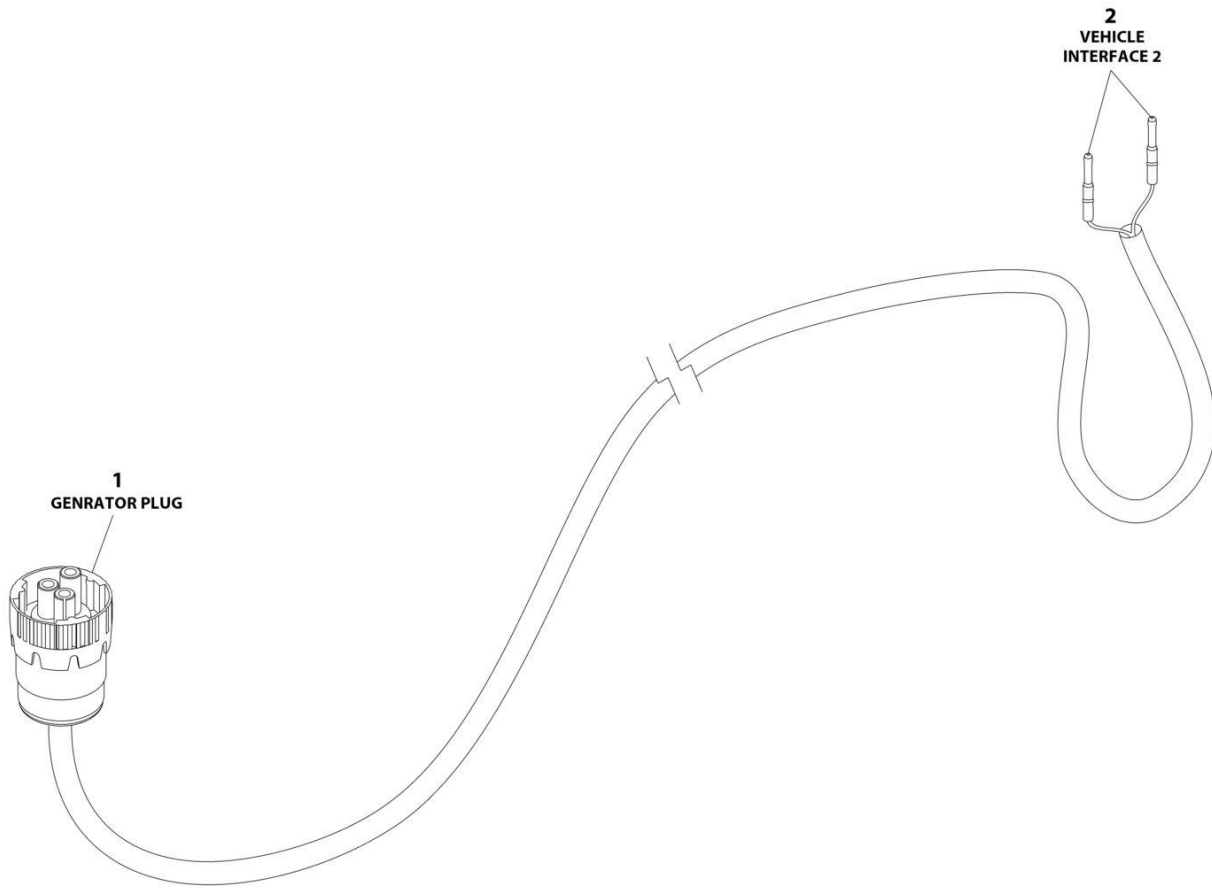
SECTION 8 - ELECTRICAL

FIGURE 8-44. GENERATOR TO ENGINE HARNESS - 4000W (DEUTZ D2011 ENGINES)

| ITEM | PART NUMBER | QTY | DESCRIPTION | REV |
|------|-------------|-----|-----------------------------|-----|
| | 1001153197 | Ref | GENERATOR TO ENGINE HARNESS | B |
| 1 | 4460967 | 1 | Plug, Male - 3 Position | |
| 1 | 4460465 | 2 | Socket, Female | |
| 2 | 4460043 | 1 | Terminal, Ring | |
| 3 | 4460742 | 1 | Plug, Male - 2 Position | |
| 3 | 4460743 | 1 | Socket, Female | |
| 3 | 4460458 | 1 | Seal, Terminal | |
| 3 | 1001116727 | 1 | Plug, Terminal | |

SECTION 8 - ELECTRICAL

FIGURE 8-45. GENERATOR TO ENGINE HARNESS - 4000W (DEUTZ TD2.9L4 ENGINES)



ART_1001153259

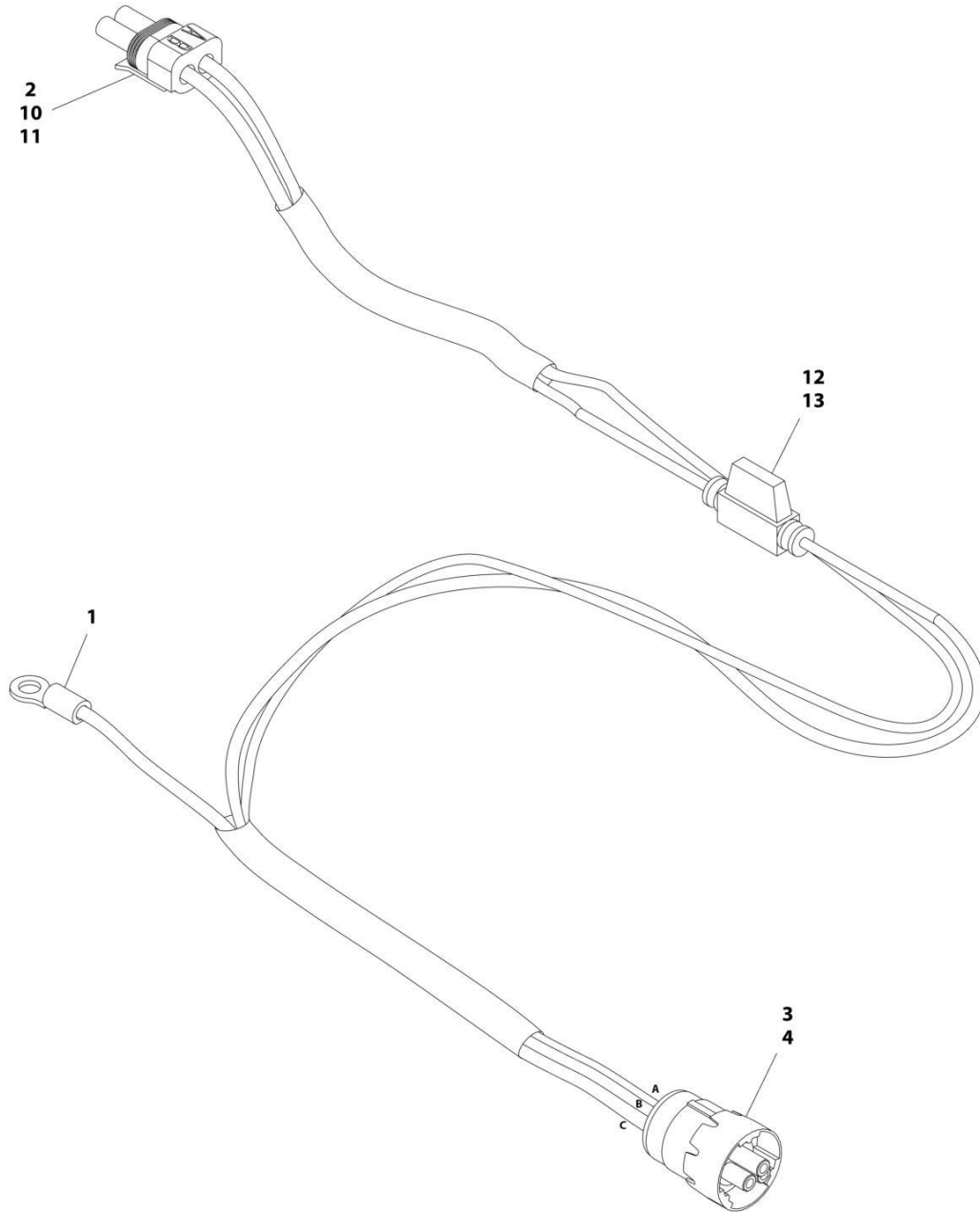
SECTION 8 - ELECTRICAL

FIGURE 8-45. GENERATOR TO ENGINE HARNESS - 4000W (DEUTZ TD2.9L4 ENGINES)

| ITEM | PART NUMBER | QTY | DESCRIPTION | REV |
|------|-------------|-----|--|-----|
| | 1001153259 | Ref | GENERATOR TO PLATFORM HARNESS (4000W-60HZ GENERATOR) | B |
| 1 | 4460967 | 1 | Connector - 3 Position | |
| 1 | 4460465 | 2 | Socket, Female | |
| 2 | 4460465 | 2 | Socket, Female | |

SECTION 8 - ELECTRICAL

FIGURE 8-46. GENERATOR TO ENGINE HARNESS - 7500W SKYPOWER GENERATOR (DEUTZ D2011 ENGINES)



ART_1001152429

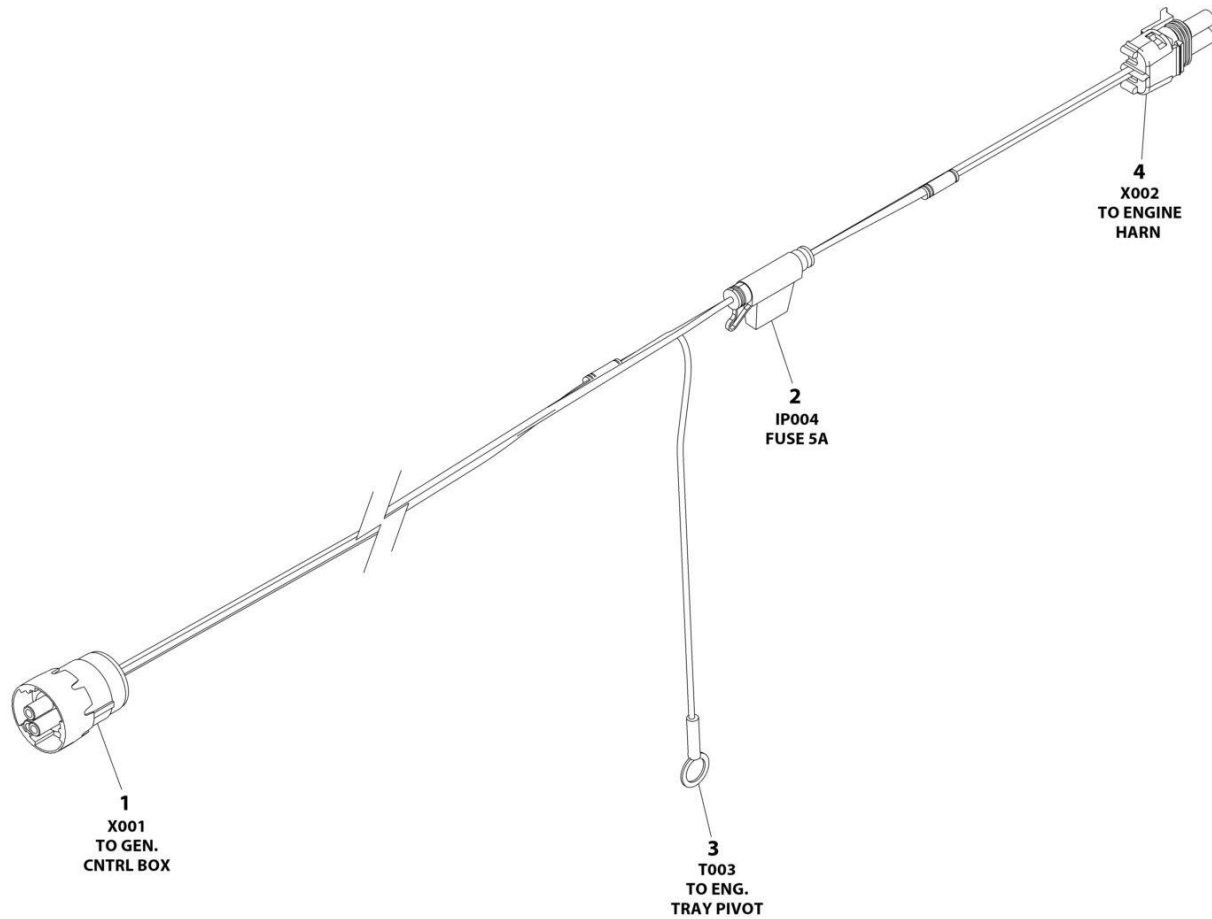
SECTION 8 - ELECTRICAL

FIGURE 8-46. GENERATOR TO ENGINE HARNESS - 7500W SKYPOWER GENERATOR (DEUTZ D2011 ENGINES)

| ITEM | PART NUMBER | QTY | DESCRIPTION | REV |
|------|-------------|-----|-----------------------------|-----|
| | 1001152429 | Ref | GENERATOR TO ENGINE HARNESS | C |
| 1 | 4460043 | 1 | Terminal, Ring | |
| 2 | 4460742 | 1 | Plug, Male - 2 Position | |
| 3 | 4460967 | 1 | Connector - 3 Position | |
| 4 | 4460465 | 3 | Socket, Female | |
| 10 | 4460743 | 2 | Terminal, Female | |
| 11 | 4460458 | 2 | Seal | |
| 12 | 2400060 | 1 | Fuseholder (Includes Cover) | |
| 13 | 2400064 | 1 | Fuse - 5Amp | |

SECTION 8 - ELECTRICAL

FIGURE 8-47. GENERATOR TO ENGINE HARNESS - 7500W SKYPOWER (FORD DF 2.5L ENGINES)



ART_1001257972

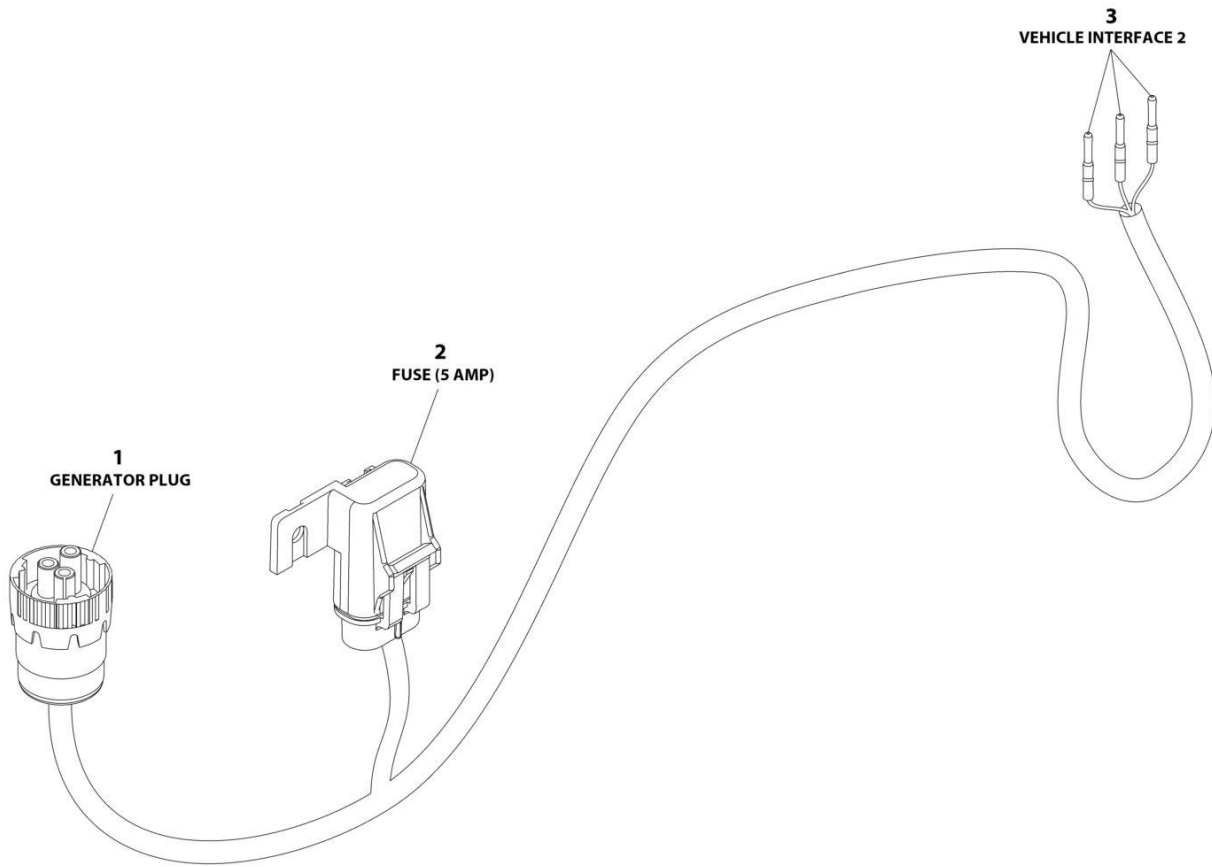
SECTION 8 - ELECTRICAL

FIGURE 8-47. GENERATOR TO ENGINE HARNESS - 7500W SKYPOWER (FORD DF 2.5L ENGINES)

| ITEM | PART NUMBER | QTY | DESCRIPTION | REV |
|------|-------------|-----|------------------------------|-----|
| | 1001257972 | Ref | GENERATOR TO ENGINE HARNESS | A |
| 1 | 4460967 | 1 | Plug, Male - 3 Position | |
| 1 | 4460465 | 3 | Socket, Female | |
| 2 | 2400060 | 1 | Fuse-holder (Includes Cover) | |
| 2 | 2400064 | 1 | Fuse - 5Amp | |
| 3 | 4460256 | 1 | Terminal, Ring | |
| 4 | 4460742 | 1 | Plug, Male - 2 Position | |
| 4 | 4460457 | 2 | Socket, Female | |
| 4 | 4460458 | 2 | Seal, Terminal | |

SECTION 8 - ELECTRICAL

FIGURE 8-48. GENERATOR HARNESS - 7500W SKYPOWER (DEUTZ TD2.9L4 T4F ENGINES)



ART_1001119968

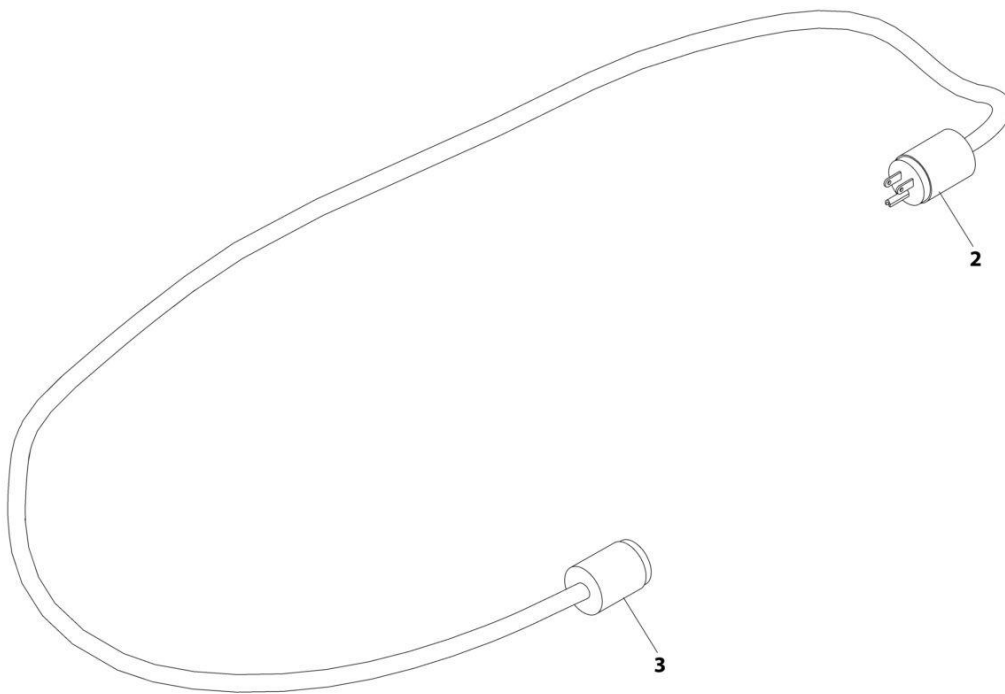
SECTION 8 - ELECTRICAL

FIGURE 8-48. GENERATOR HARNESS - 7500W SKYPOWER (DEUTZ TD2.9L4 T4F ENGINES)

| ITEM | PART NUMBER | QTY | DESCRIPTION | REV |
|------|-------------|-----|--------------------------------------|-----|
| | 1001119968 | Ref | GENERATOR HARNESS - 7500W GENERATOR | C |
| 1 | 4460967 | 1 | Connector - 3 Position | |
| 1 | 4460465 | 3 | Socket, Female | |
| 2 | 1001117078 | 1 | Connector, Metri-Pack with 5Amp Fuse | |
| 3 | 4460465 | 3 | Socket, Female | |

SECTION 8 - ELECTRICAL

FIGURE 8-49. GENERATOR TO REAR OF BOOM HARNESS - 110V



ART_4921829

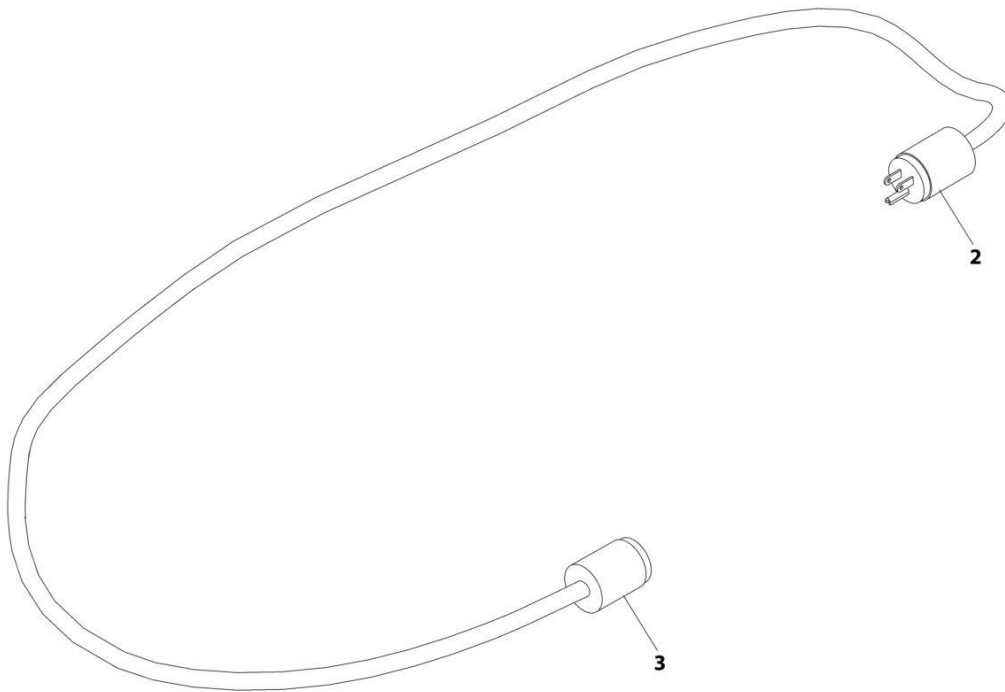
SECTION 8 - ELECTRICAL

FIGURE 8-49. GENERATOR TO REAR OF BOOM HARNESS - 110V

| ITEM | PART NUMBER | QTY | DESCRIPTION | REV |
|------|-------------|-----|--|-----|
| | 4921829 | Ref | GENERATOR TO REAR OF BOOM HARNESS - 110V | Z-A |
| 2 | 4460205 | 1 | Plug, Male | |
| 3 | 4460134 | 1 | Connector, Female | |

SECTION 8 - ELECTRICAL

FIGURE 8-50. GENERATOR TO REAR OF BOOM HARNESS - 220V



ART_4921955

SECTION 8 - ELECTRICAL

FIGURE 8-50. GENERATOR TO REAR OF BOOM HARNESS - 220V

| ITEM | PART NUMBER | QTY | DESCRIPTION | REV |
|------|-------------|-----|--|-----|
| | 4921955 | Ref | GENERATOR TO REAR OF BOOM HARNESS - 220V | A |
| 2 | 4460233 | 1 | Terminal, Plug | |
| 3 | 4460701 | 1 | Terminal, Connector | |

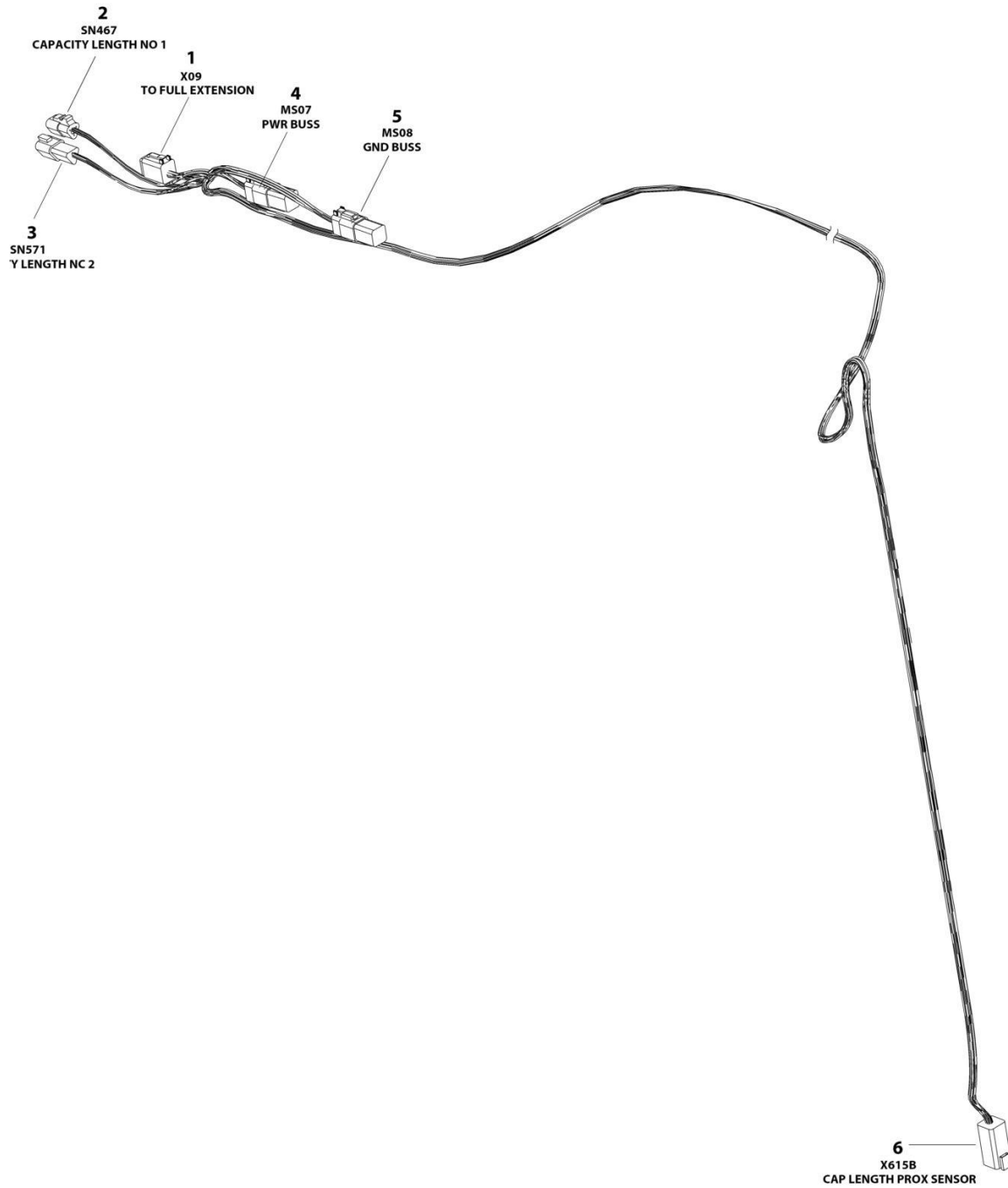
SECTION 8 - ELECTRICAL

FIGURE 8-51. GROUND CONTROL BOX HARNESS

| ITEM | PART NUMBER | QTY | DESCRIPTION | REV |
|------|-------------|-----|-----------------------------------|-----|
| | 1001243263 | Ref | GROUND CONTROL BOX HARNESS | F |
| 12 | 4460297 | 4 | Terminal | |
| 16 | 4460536 | 1 | Receptacle, Female - 3 Position | |
| 17 | 4460943 | 12 | Pin, Male | |
| 21 | 3990010 | 2 | Diode, 6 Amp | |
| 22 | 4460905 | 2 | Seal, Terminal | |
| 23 | 4460227 | 34 | Pin, Male | |
| 24 | 4460434 | 2 | Plug Male - 15 Position | |
| 26 | 4460873 | 1 | Connector - 35 Position | |
| 27 | 4460508 | 3 | Terminal | |
| 28 | 1001237667 | 1 | Plug Male - 6 Position | |
| 29 | 1001237668 | 5 | Terminal | |
| 34 | 1001159186 | 18 | Terminal | |
| 35 | 4460418 | 9 | Connector, Switch | |
| 36 | 4460806 | 5 | Terminal, Fork | |
| 38 | 4460871 | 73 | Socket, Female | |
| 39 | 4460876 | 1 | Connector - 35 Position | |
| 40 | 4460259 | 9 | Terminal | |
| 41 | 4460260 | 13 | Housing, Terminal | |
| 42 | 4460464 | 10 | Pin, Male | |
| 43 | 4460866 | 1 | Connector - 19 Position | |
| 44 | 4460878 | 1 | Plug Male - 4 Position | |
| 45 | 4460887 | 3 | Terminal | |
| 46 | 4460142 | 4 | Terminal, Ring | |
| 47 | 4460313 | 3 | Terminal | |
| 49 | 1001119020 | 1 | Connector, Buss Bar - 12 Position | |
| 50 | 4460761 | 1 | Receptacle, Female - 4 Position | |
| 51 | 4460868 | AR | Terminal | |
| 53 | 4460465 | 30 | Socket, Female | |
| 54 | 2400060 | 2 | Fuse Holder, Includes Cover | |
| 55 | 8229242 | 2 | Fuse 5Amp | |
| 56 | 4460933 | 2 | Plug, Male - 12 Position | |
| 57 | 4460872 | 1 | Connector - 14 Position | |
| 58 | 1001113961 | 1 | Connector - 8 Position | |
| 59 | 4460874 | 1 | Connector - 35 Position | |
| 60 | 4460875 | 1 | Connector - 35 Position | |
| 61 | 1001112612 | 1 | Connector - 9 Position | |
| 62 | 4460884 | 1 | Plug, Male - 4 Position | |
| 63 | 4460466 | 9 | Plug, Terminal | |
| 64 | 4460894 | 1 | Plug, Male - 6 Position | |
| 65 | 4460419 | 8 | Terminal | |
| 66 | 1001191598 | 1 | Terminal | |
| 69 | 1001229530 | 1 | Receptacle, Female - 3 Position | |
| 70 | 1001200497 | 1 | Plug, Male - 3 Position | |
| 71 | 1001116812 | 2 | Plug, Male - 3 Position | |
| 72 | 4460944 | 2 | Socket, Female | |
| 73 | 1001116815 | 1 | Plug, Male - 3 Position | |
| 74 | 4460945 | 1 | Connector, 3-Way Tee | |
| 75 | 4460877 | 1 | Terminal | |
| 76 | 4460320 | 1 | Connector - 2 Position | |

SECTION 8 - ELECTRICAL

FIGURE 8-52. MID BOOM PROXIMITY SENSOR HARNESS



ART_1001258709

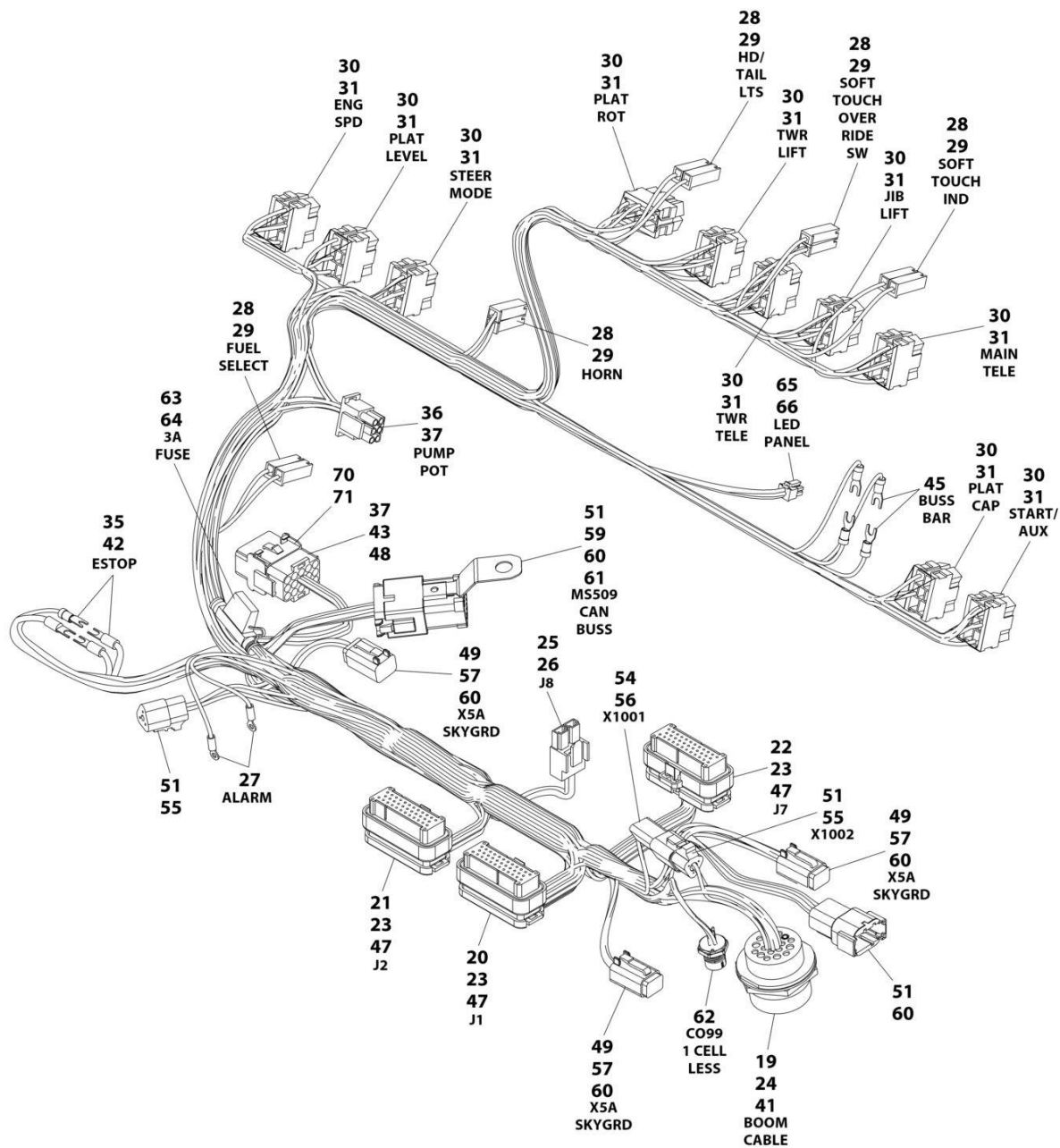
SECTION 8 - ELECTRICAL

FIGURE 8-52. MID BOOM PROXIMITY SENSOR HARNESS

| ITEM | PART NUMBER | QTY | DESCRIPTION | REV |
|------|-------------|-----|----------------------------------|-----|
| | 1001258709 | Ref | MID BOOM PROX SENSOR HARNESS | B |
| 1 | 4460894 | 1 | Plug, Male - 6 Position | |
| 1 | 4460465 | 6 | Socket, Female | |
| 2 | 4460539 | 1 | Plug, Male - 3 Position | |
| 2 | 4460465 | 3 | Socket, Female | |
| 3 | 4460536 | 1 | Receptacle, Female - 3 Position | |
| 3 | 4460464 | 3 | Pin, Male | |
| 4 | 4460894 | 2 | Plug, Male - 6 Position | |
| 4 | 4460465 | 10 | Socket, Female | |
| 4 | 4460466 | 2 | Plug, Terminal | |
| 4 | 4460892 | 2 | Connector, Buss Bar - 6 Position | |
| 5 | 4460899 | 1 | Connector - 6 Position | |
| 5 | 4460465 | 6 | Socket, Female | |

SECTION 8 - ELECTRICAL

FIGURE 8-53. PLATFORM CONSOLE BOX HARNESS



ART_1001243984

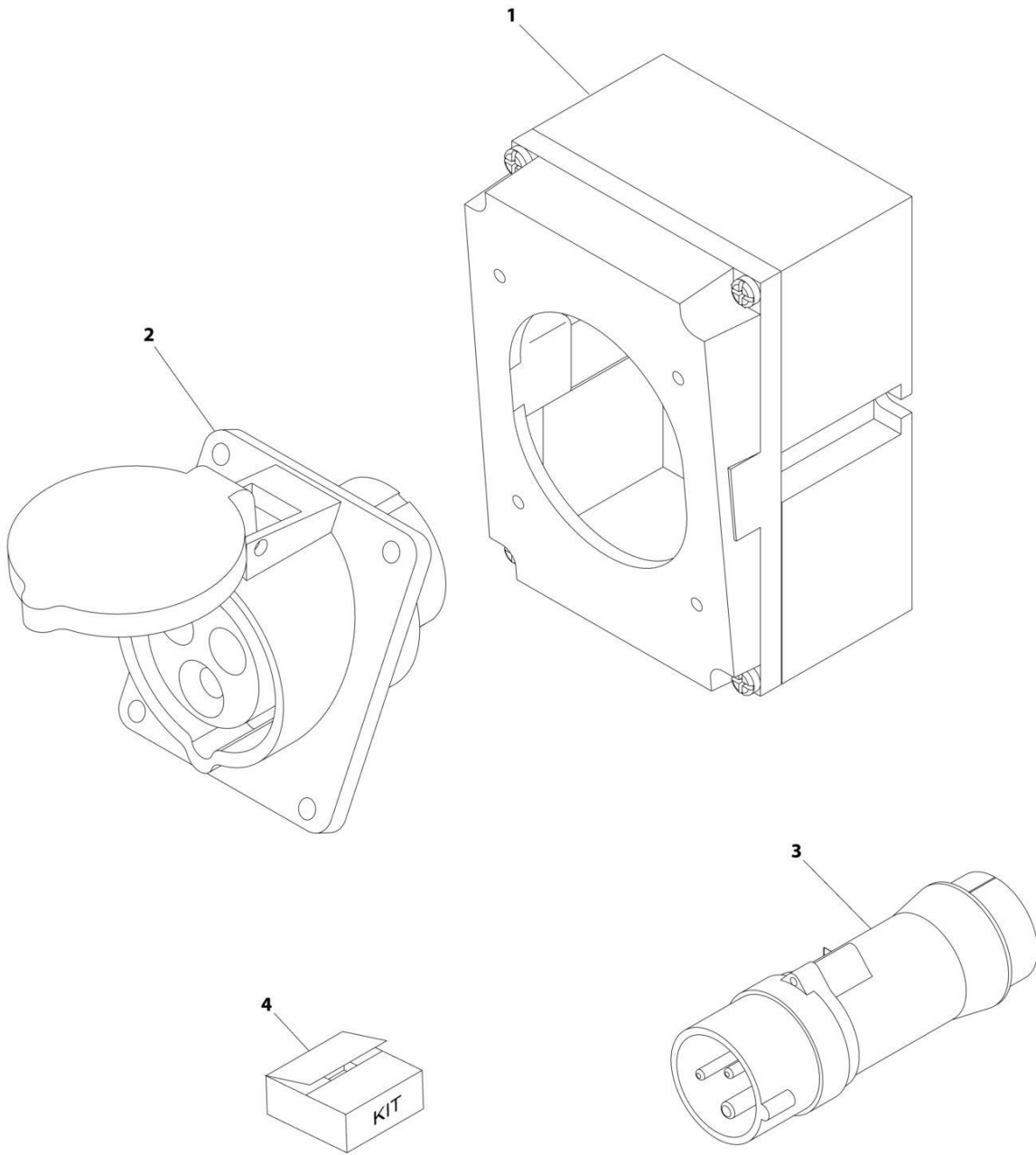
SECTION 8 - ELECTRICAL

FIGURE 8-53. PLATFORM CONSOLE BOX HARNESS

| ITEM | PART NUMBER | QTY | DESCRIPTION | REV |
|------|-------------|-----|--|-----|
| | 1001243984 | Ref | PLATFORM CONSOLE BOX HARNESS | F |
| 19 | 4460866 | 1 | Connector - 19 Position | |
| 20 | 4460874 | 1 | Connector - 35 Position | |
| 21 | 4460875 | 1 | Connector - 35 Position | |
| 22 | 4460873 | 1 | Connector - 35 Position | |
| 23 | 4460871 | 81 | Socket, Female | |
| 24 | 4460464 | 7 | Pin, Male | |
| 25 | 4460879 | 1 | Plug, Male - 2 Position | |
| 26 | 4460887 | 2 | Terminal | |
| 27 | 1001098122 | 2 | Terminal, Ring | |
| 28 | 4460260 | 10 | Housing, Terminal | |
| 29 | 4460259 | 10 | Terminal | |
| 30 | 4460418 | 9 | Connector, Switch | |
| 31 | 4460419 | 27 | Terminal | |
| 32 | 4120035 | 14 | Socket, Light (Not Shown) | |
| 33 | 4460634 | 14 | Socket, Lamp (Single Wire) (Not Shown) | |
| 34 | 4460635 | 14 | Socket, Lamp (Double Wire) (Not Shown) | |
| 35 | 4460888 | 3 | Terminal, Fork | |
| 36 | 4460225 | 1 | Plug, Male - 6 Position | |
| 37 | 4460227 | 31 | Pin, Male | |
| 41 | 4460508 | 3 | Pin, Male | |
| 42 | 4460806 | 1 | Terminal, Fork | |
| 43 | 4460434 | 2 | Connector - 15 Position | |
| 44 | 2920129 | 14 | Bulb (Not Shown) | |
| 45 | 4460183 | 4 | Terminal, Fork | |
| 46 | 4460016 | 2 | Terminal (Not Shown) | |
| 47 | 4460905 | 24 | Plug, Terminal | |
| 48 | 4460267 | 1 | Pin, Male | |
| 49 | 4460465 | 5 | Socket, Female | |
| 51 | 4460944 | 11 | Socket, Female | |
| 54 | 4460536 | 1 | Receptacle, Female - 3 Position | |
| 55 | 4460539 | 1 | Plug, Male - 3 Position | |
| 56 | 4460943 | 3 | Pin, Male | |
| 57 | 4460894 | 2 | Plug, Male - 6 Position | |
| 59 | 4460933 | 1 | Plug, Male - 12 Position | |
| 60 | 4460466 | 5 | Plug, Terminal | |
| 61 | 1001119020 | 1 | Connector, Buss Bar - 12 Position | |
| 62 | 1001213447 | 1 | Connector - 5 Position | |
| 63 | 2400060 | 1 | Fuseholder Includes Cover | |
| 64 | 8229249 | 1 | Fuse, 3 Amp | |
| 65 | 1001237667 | 1 | Plug, Male - 6 Position | |
| 66 | 1001237668 | 4 | Socket, Female | |
| 70 | 4460708 | 1 | Connector - 15 Position | |
| 71 | 4460226 | 2 | Socket, Female | |

SECTION 8 - ELECTRICAL

FIGURE 8-54. RECEPTACLE BOX KIT - 110V IEC YELLOW (CE SPECS)



ART_0275216

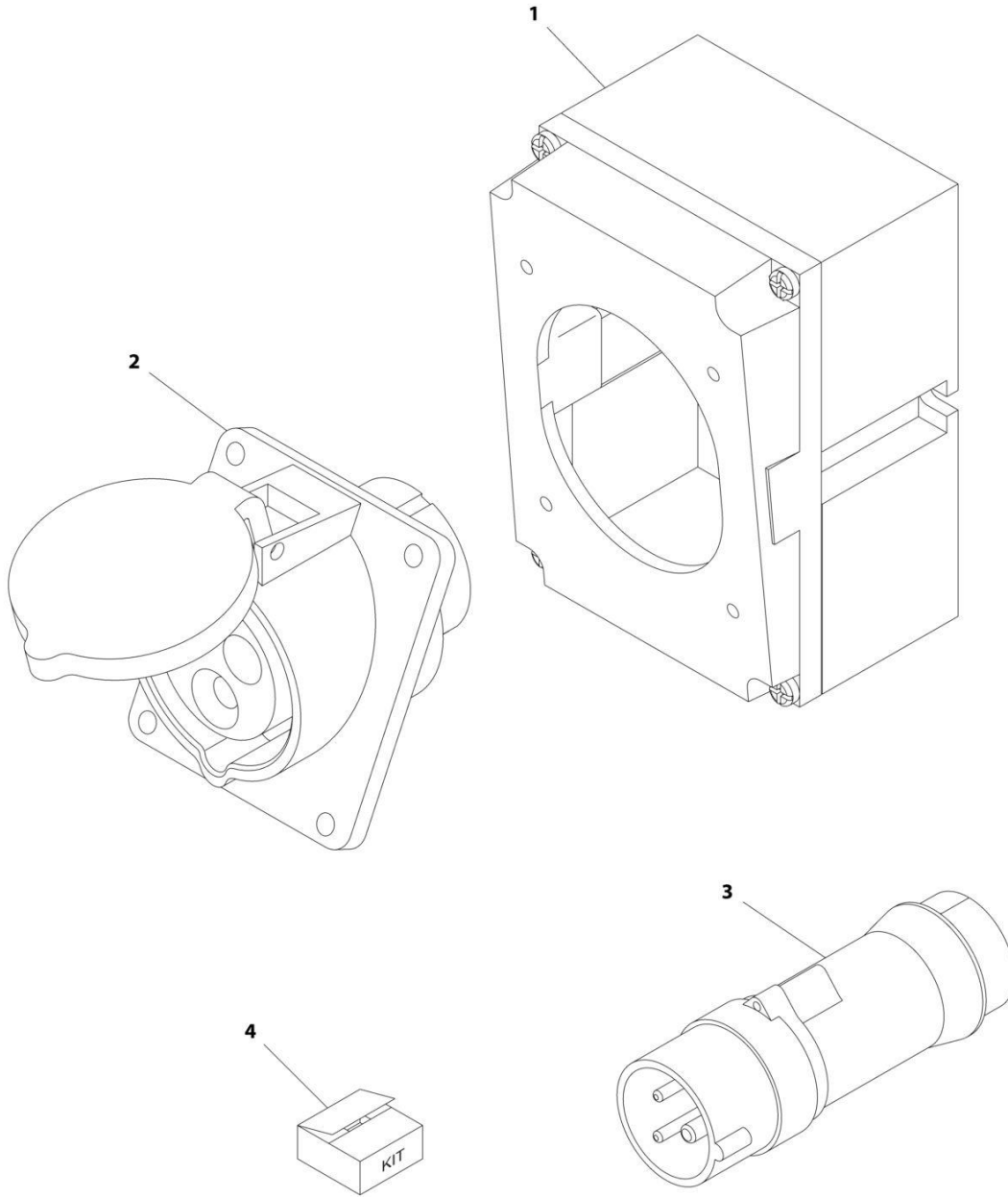
SECTION 8 - ELECTRICAL

FIGURE 8-54. RECEPTACLE BOX KIT - 110V IEC YELLOW (CE SPECS)

| ITEM | PART NUMBER | QTY | DESCRIPTION | REV |
|------|-------------|-----|--|-----|
| | 0275216 | Ref | RECEPTACLE BOX KIT - 110V IEC YELLOW | B |
| 1 | 0861781 | 1 | Box, Switch | |
| 2 | 4461198 | 1 | Receptacle | |
| 3 | 4461196 | 1 | Plug, Male | |
| 4 | 1001100341 | 1 | Plug and Socket Kit (Includes Items 1-3 and Female Plug p/n 4461197) | |

SECTION 8 - ELECTRICAL

FIGURE 8-55. RECEPTACLE BOX KIT - 220V IEC BLUE (CE SPECS)



ART_0275217

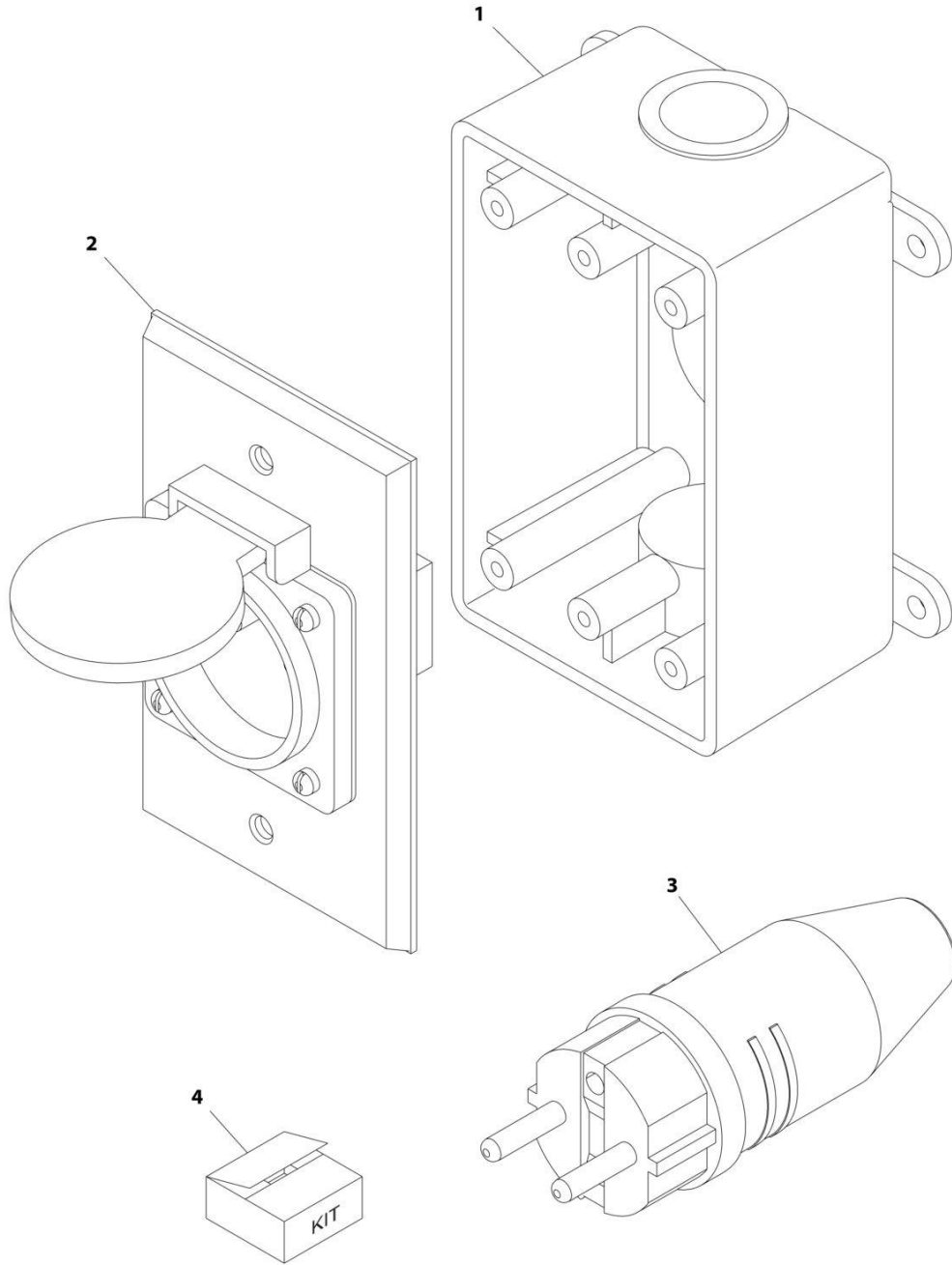
SECTION 8 - ELECTRICAL

FIGURE 8-55. RECEPTACLE BOX KIT - 220V IEC BLUE (CE SPECS)

| ITEM | PART NUMBER | QTY | DESCRIPTION | REV |
|------|-------------|-----|--|-----|
| | 0275217 | Ref | RECEPTACLE BOX KIT - 220V IEC BLUE | B |
| 1 | 0861781 | 1 | Box, Switch | |
| 2 | 4461201 | 1 | Receptacle | |
| 3 | 4461199 | 1 | Plug, Male | |
| 4 | 1001100342 | 1 | Plug and Socket Kit (Includes Items 1-3 and Female Plug p/n 4461200) | |

SECTION 8 - ELECTRICAL

FIGURE 8-56. RECEPTACLE BOX KIT - 220V CEE7 POST GROUND 2X4 BOX (CE SPEC)



ART_0275452-C

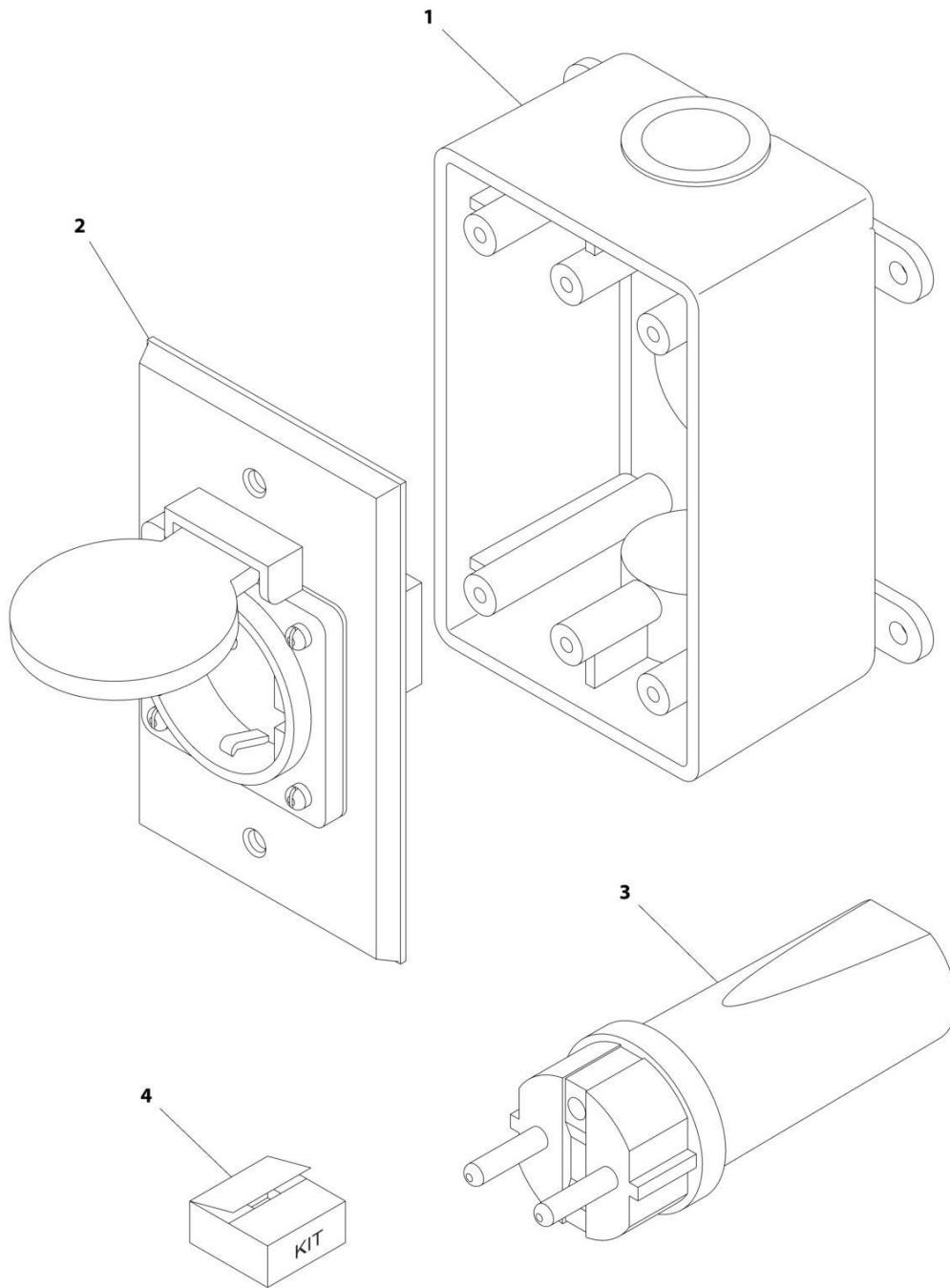
SECTION 8 - ELECTRICAL

FIGURE 8-56. RECEPTACLE BOX KIT - 220V CEE7 POST GROUND 2X4 BOX (CE SPEC)

| ITEM | PART NUMBER | QTY | DESCRIPTION | REV |
|------|-------------|-----|--|-----|
| | 0275452 | Ref | RECEPTACLE BOX KIT - 220V CEE7 POST GROUND 2IN X 4IN BOX | C |
| 1 | 0861731 | 1 | Box, Switch | |
| 2 | 4461244 | 1 | Receptacle | |
| 3 | 4461205 | 1 | Plug, Male | |
| 4 | 1001100345 | 1 | Plug and Socket Kit (Includes Items 1-3 and Female Plug p/n 4461203) | |

SECTION 8 - ELECTRICAL

FIGURE 8-57. RECEPTACLE BOX KIT - 220V CEE7 SIDE GROUND 2X4 BOX (CE SPEC)



ART_0275453

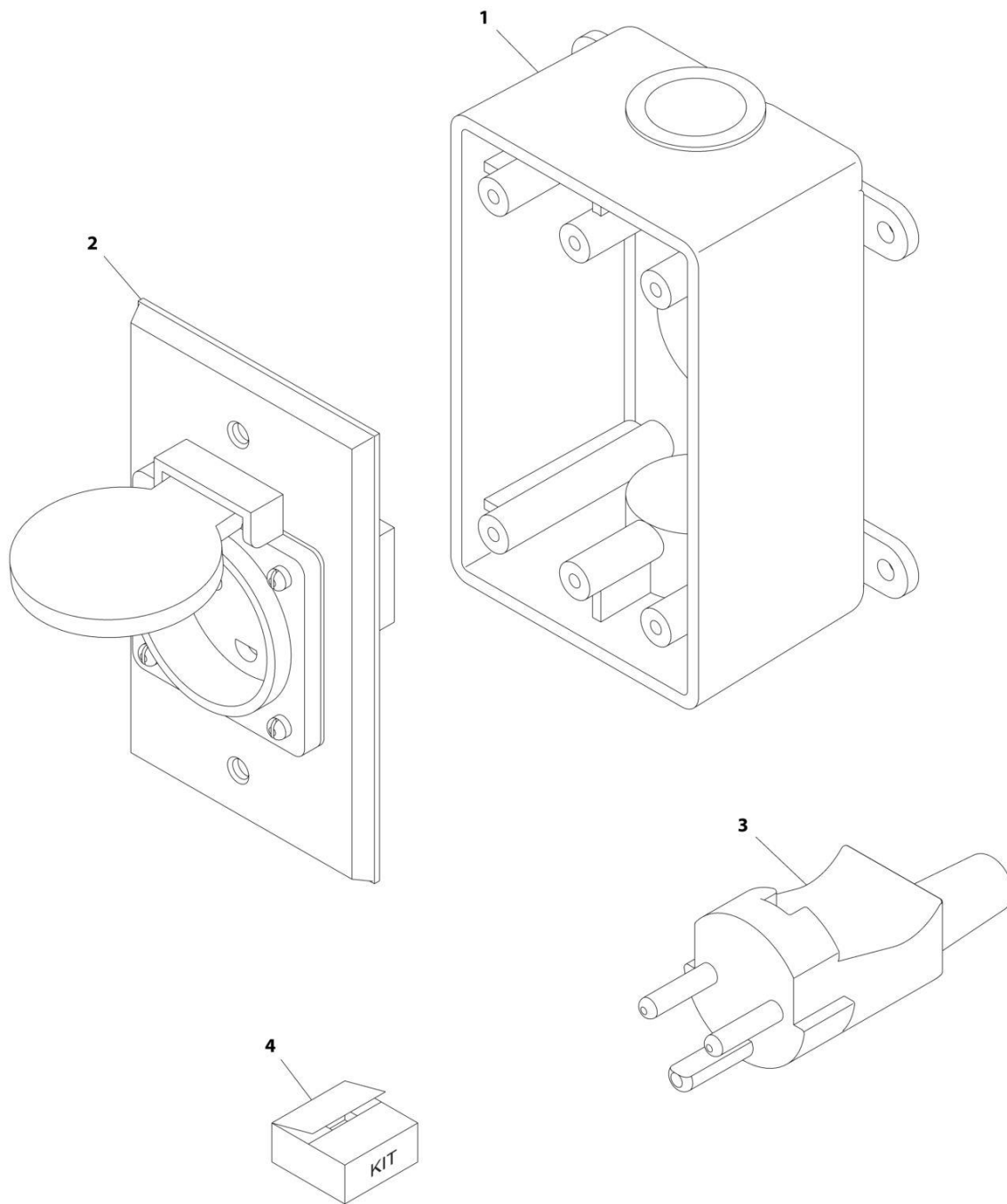
SECTION 8 - ELECTRICAL

FIGURE 8-57. RECEPTACLE BOX KIT - 220V CEE7 SIDE GROUND 2X4 BOX (CE SPEC)

| ITEM | PART NUMBER | QTY | DESCRIPTION | REV |
|------|-------------|-----|--|-----|
| | 0275453 | Ref | RECEPTACLE BOX KIT - 220V CEE7 SIDE GROUND | B |
| 1 | 0861731 | 1 | Box, Switch | |
| 2 | 4461245 | 1 | Receptacle | |
| 3 | 4461205 | 1 | Plug, Male | |
| 4 | 1001100347 | 1 | Plug and Socket Kit (Includes Items 1-3 and Female Plug p/n 4461206) | |

SECTION 8 - ELECTRICAL

FIGURE 8-58. RECEPTACLE BOX KIT - 220V AFSINT107 KEYED GROUND (CE SPECS)



ART_0275454

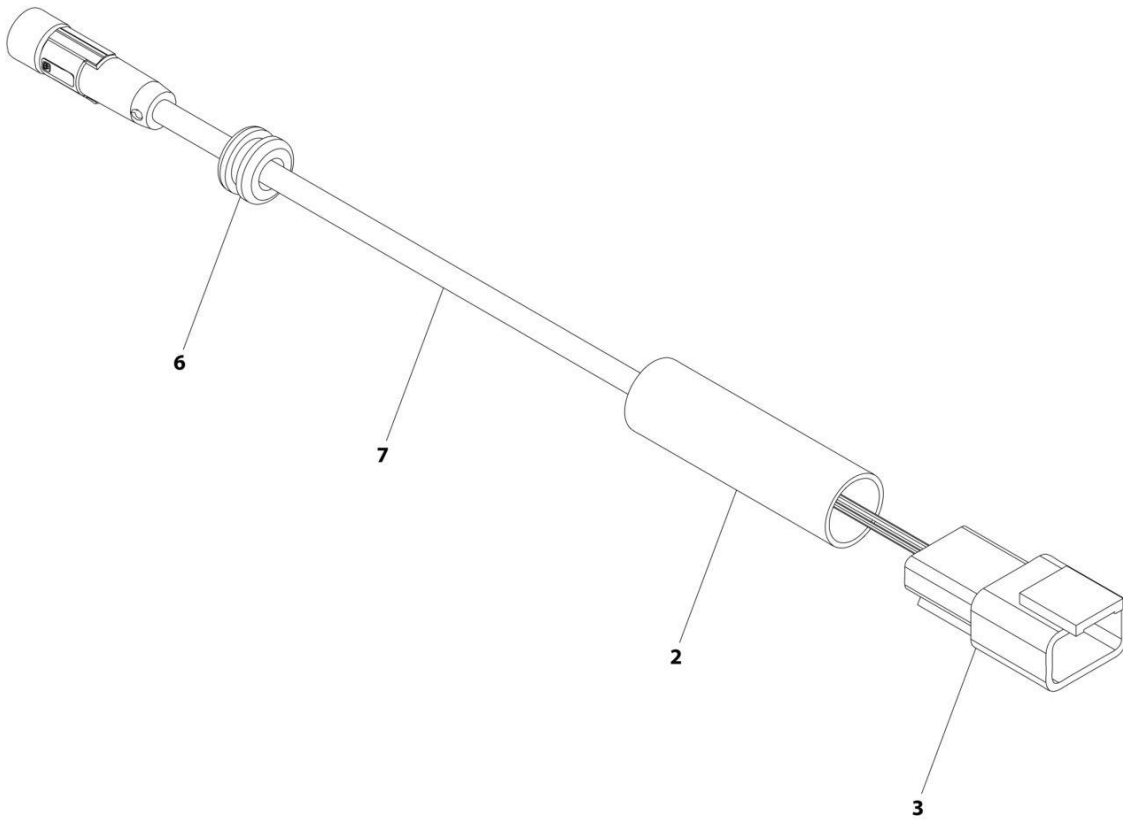
SECTION 8 - ELECTRICAL

FIGURE 8-58. RECEPTACLE BOX KIT - 220V AFSINT107 KEYED GROUND (CE SPECS)

| ITEM | PART NUMBER | QTY | DESCRIPTION | REV |
|------|-------------|-----|--|-----|
| | 0275454 | Ref | RECEPTACLE BOX KIT - 220V AFSINT 107 | B |
| 1 | 0861731 | 1 | Box, Switch | |
| 2 | 4461246 | 1 | Receptacle | |
| 3 | 4461249 | 1 | Plug, Male | |
| 4 | 1001100346 | 1 | Plug and Socket Kit (Includes Items 1-3 and Female Plug p/n 4461250) | |

SECTION 8 - ELECTRICAL

FIGURE 8-59. SKYEYE EMITTER HARNESS



ART_1001237864

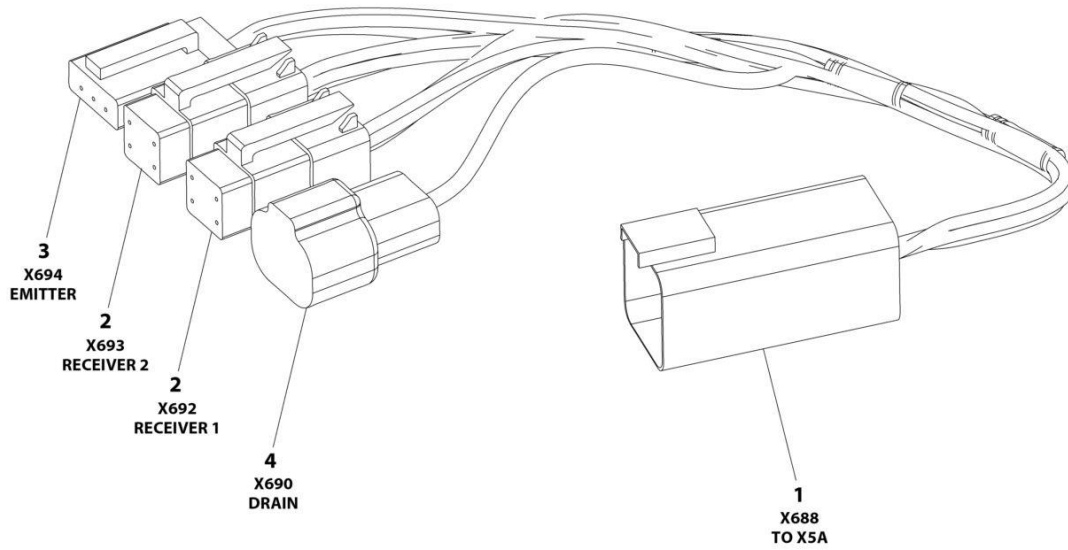
SECTION 8 - ELECTRICAL

FIGURE 8-59. SKYEYE EMITTER HARNESS

| ITEM | PART NUMBER | QTY | DESCRIPTION | REV |
|------|-------------|-----|--------------------------|-----|
| | 1001237864 | Ref | SKYEYE EMITTER HARNESS | A |
| 2 | 2820247 | AR | Tubing, Heat Shrink | |
| 3 | 4460910 | 1 | Connector - 3 Position | |
| 3 | 1001119620 | 3 | Pin, Male | |
| 6 | 1001227996 | 1 | Grommet | |
| 7 | 1001237862 | 1 | Cable, M8 Female Cordset | |

SECTION 8 - ELECTRICAL

FIGURE 8-60. SKYEYE INTERMEDIATE HARNESS



ART_1001237865

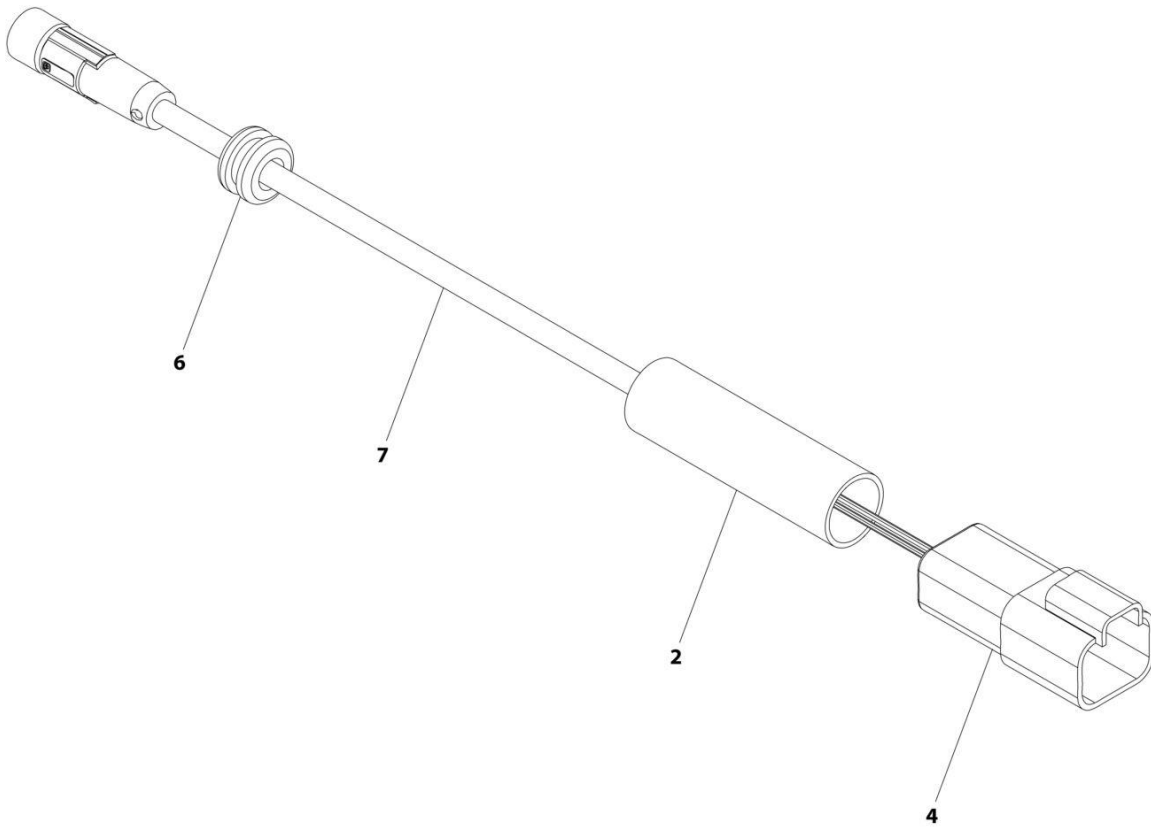
SECTION 8 - ELECTRICAL

FIGURE 8-60. SKYEYE INTERMEDIATE HARNESS

| ITEM | PART NUMBER | QTY | DESCRIPTION | REV |
|------|-------------|-----|-----------------------------|-----|
| | 1001237865 | Ref | SKYEYE INTERMEDIATE HARNESS | A |
| 1 | 4460899 | 1 | Connector - 6 Position | |
| 1 | 4460943 | 4 | Pin, Male | |
| 1 | 4460466 | 2 | Plug, Terminal | |
| 2 | 4461077 | 2 | Connector - 4 Position | |
| 2 | 1001119619 | 8 | Socket, Female | |
| 3 | 4460911 | 1 | Connector - 3 Position | |
| 3 | 1001119619 | 3 | Socket, Female | |
| 4 | 1001187681 | 1 | Connector - 2 Position | |
| 4 | 4460941 | 1 | Pin, Male | |
| 4 | 4460466 | 1 | Plug, Terminal | |

SECTION 8 - ELECTRICAL

FIGURE 8-61. SKYEYE RECEIVER HARNESS



ART_1001237863

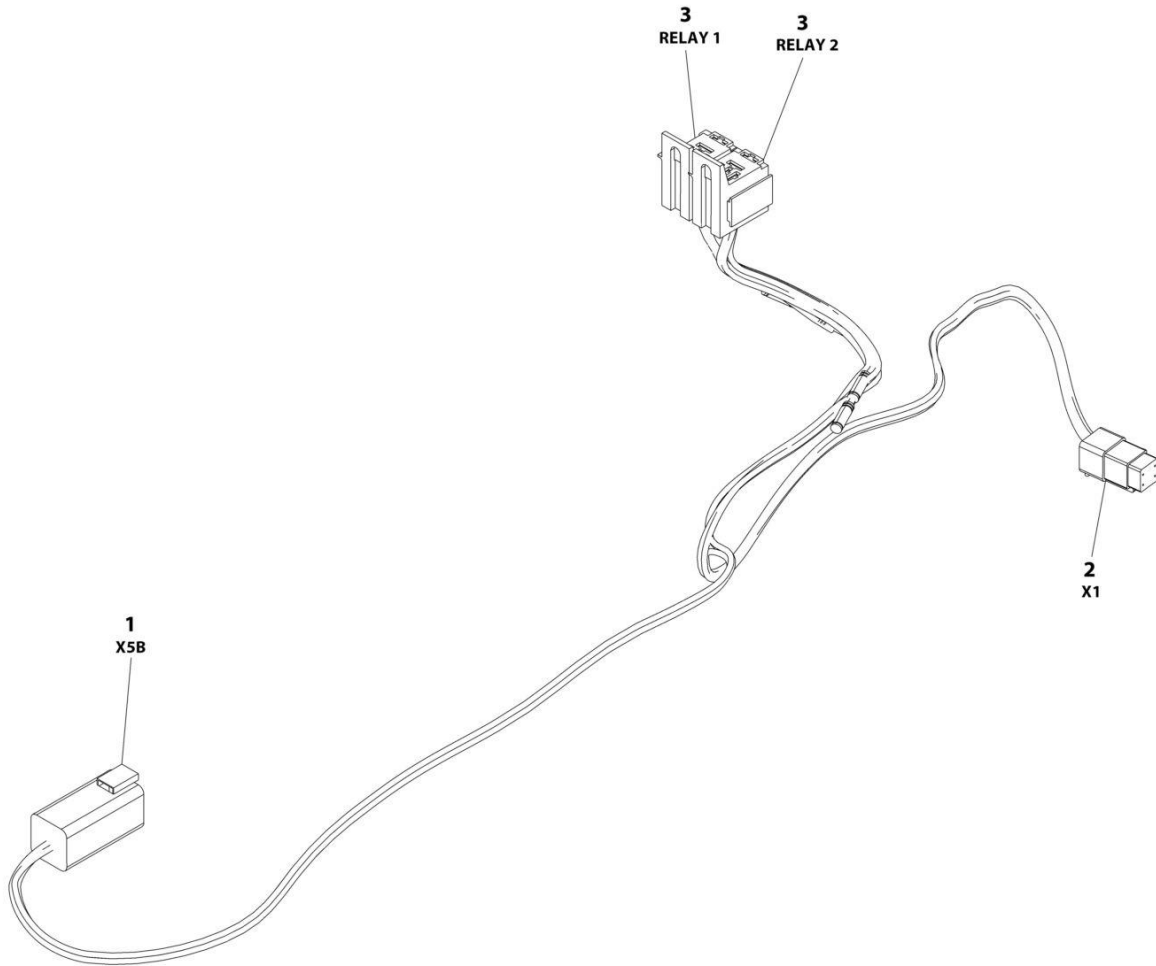
SECTION 8 - ELECTRICAL

FIGURE 8-61. SKYEYE RECEIVER HARNESS

| ITEM | PART NUMBER | QTY | DESCRIPTION | REV |
|------|-------------|-----|--------------------------|-----|
| | 1001237863 | Ref | SKYEYE RECEIVER HARNESS | A |
| 2 | 2820247 | AR | Tubing, Heat Shrink | |
| 4 | 1001097051 | 1 | Connector - 4 Position | |
| 4 | 1001119620 | 4 | Pin, Male | |
| 6 | 1001227996 | 1 | Grommet | |
| 7 | 1001237862 | 1 | Cable, M8 Female Cordset | |

SECTION 8 - ELECTRICAL

FIGURE 8-62. SKYLINE HARNESS



ART_1001238418

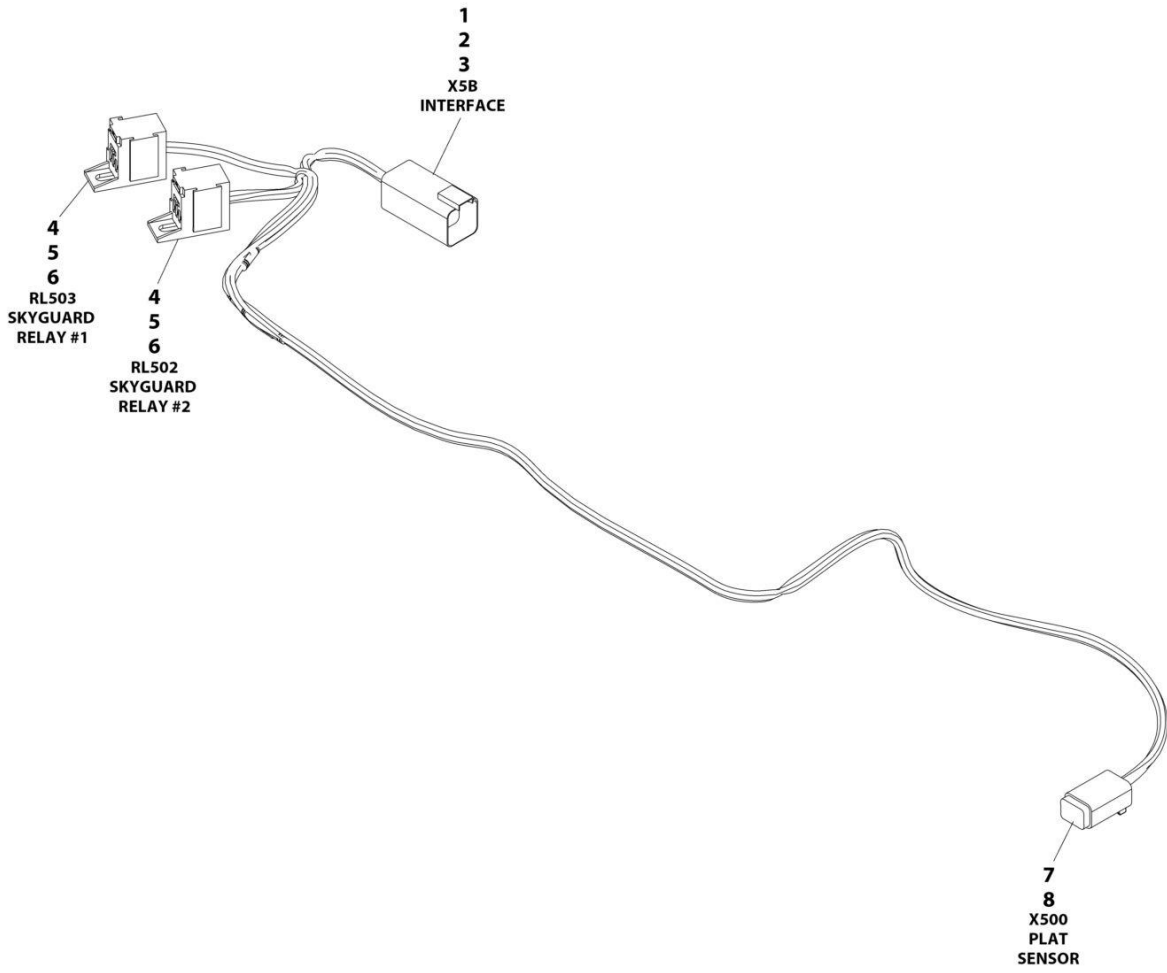
SECTION 8 - ELECTRICAL

FIGURE 8-62. SKYLINE HARNESS

| ITEM | PART NUMBER | QTY | DESCRIPTION | REV |
|------|-------------|-----|------------------------|-----|
| | 1001238418 | Ref | SKYLINE HARNESS | B |
| 1 | 4460899 | 1 | Connector - 6 Position | |
| 1 | 4460464 | 4 | Pin, Male | |
| 1 | 4460466 | 2 | Plug, Terminal | |
| 2 | 4461077 | 1 | Connector - 4 Position | |
| 2 | 1001126009 | 4 | Socket, Female | |
| 3 | 1001186432 | 2 | Plug, Relay | |
| 3 | 1001118388 | 5 | Terminal | |
| 3 | 1001118384 | 3 | Terminal | |
| 3 | 3740086 | 2 | Relay | |

SECTION 8 - ELECTRICAL

FIGURE 8-63. SKYGUARD INTERFACE HARNESS



ART_1001225580_E

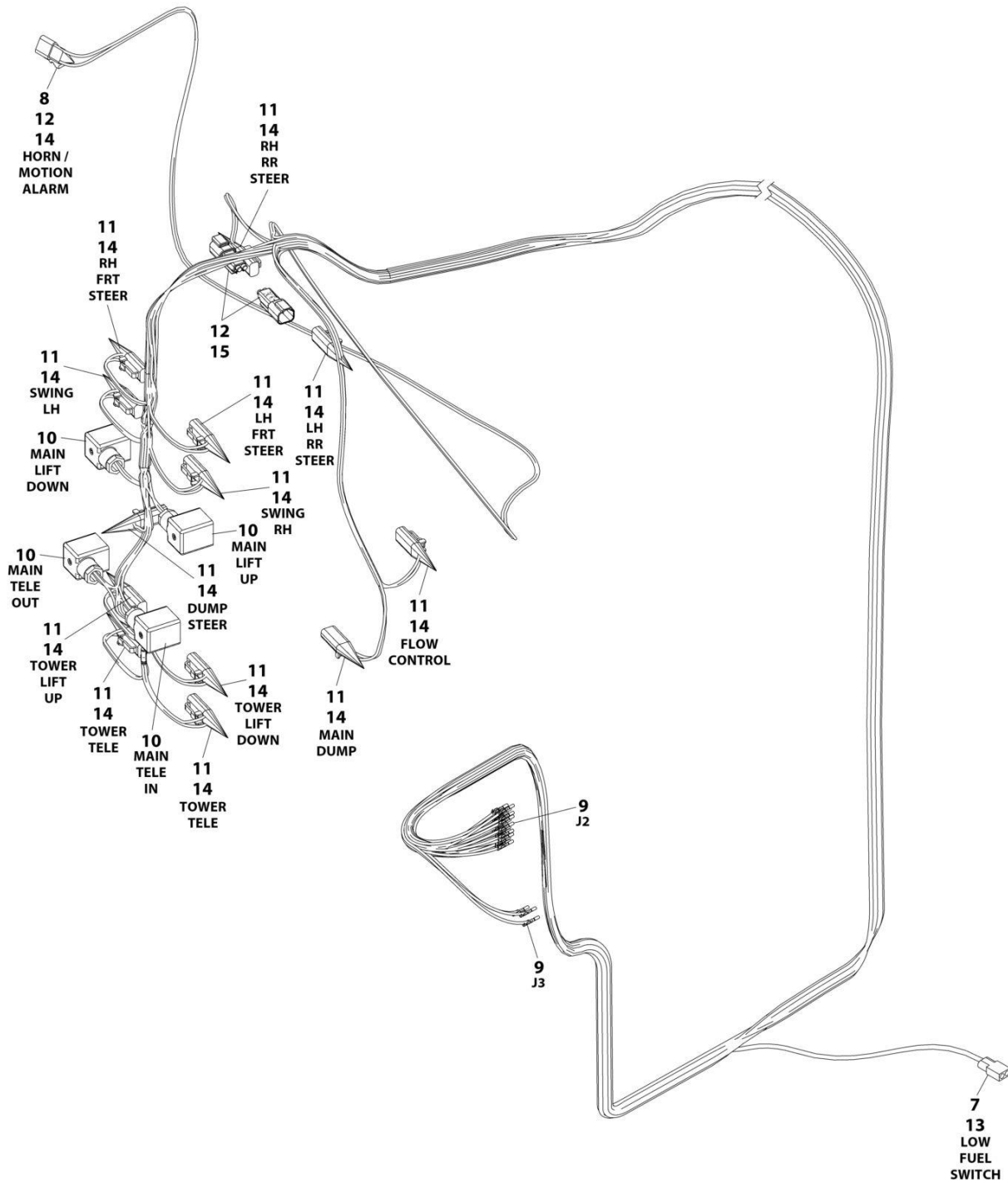
SECTION 8 - ELECTRICAL

FIGURE 8-63. SKYGUARD INTERFACE HARNESS

| ITEM | PART NUMBER | QTY | DESCRIPTION | REV |
|------|-------------|-----|--|-----|
| | 1001225580 | Ref | PLATFORM INTERFACE HARNESS - WITH 1 CELL LSS | E |
| 1 | 4460899 | 1 | Connector | |
| 2 | 4460464 | 4 | Terminal | |
| 3 | 4460466 | 2 | Plug | |
| 4 | 1001186432 | 2 | Connector | |
| 5 | 1001253375 | 4 | Terminal | |
| 6 | 1001104519 | 4 | Terminal | |
| 7 | 4460884 | 1 | Connector | |
| 8 | 4460465 | 4 | Terminal | |

SECTION 8 - ELECTRICAL

FIGURE 8-64. VALVE HARNESS



ART_1001170808_G

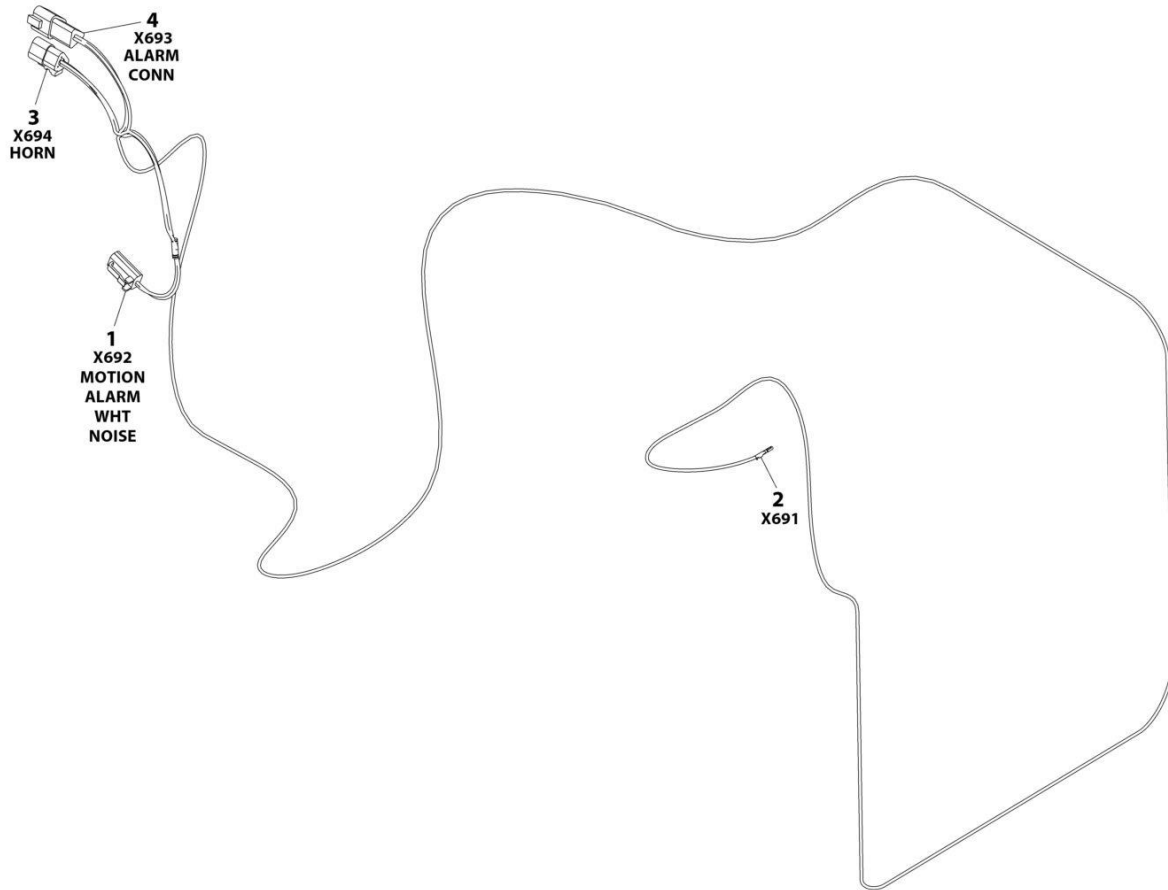
SECTION 8 - ELECTRICAL

FIGURE 8-64. VALVE HARNESS

| ITEM | PART NUMBER | QTY | DESCRIPTION | REV |
|------|-------------|-----|---------------------------------|-----|
| | 1001170808 | Ref | VALVE HARNESS | G |
| 7 | 4460268 | 2 | Socket, Female | |
| 8 | 4460539 | 1 | Plug, Male - 3 Position | |
| 9 | 4460871 | 27 | Socket, Female | |
| 10 | 1001263923 | 4 | Connector, Din | |
| 11 | 4460891 | 13 | Plug, Male - 2 Position | |
| 12 | 4460466 | 5 | Plug, Terminal | |
| 13 | 4460424 | 1 | Receptacle, Female - 2 Position | |
| 14 | 4460465 | 28 | Socket, Female | |
| 15 | 4460897 | 2 | Receptacle, Female - 2 Position | |

SECTION 8 - ELECTRICAL

FIGURE 8-65. WHITE NOISE ALARM HARNESS



ART_1001243682

SECTION 8 - ELECTRICAL

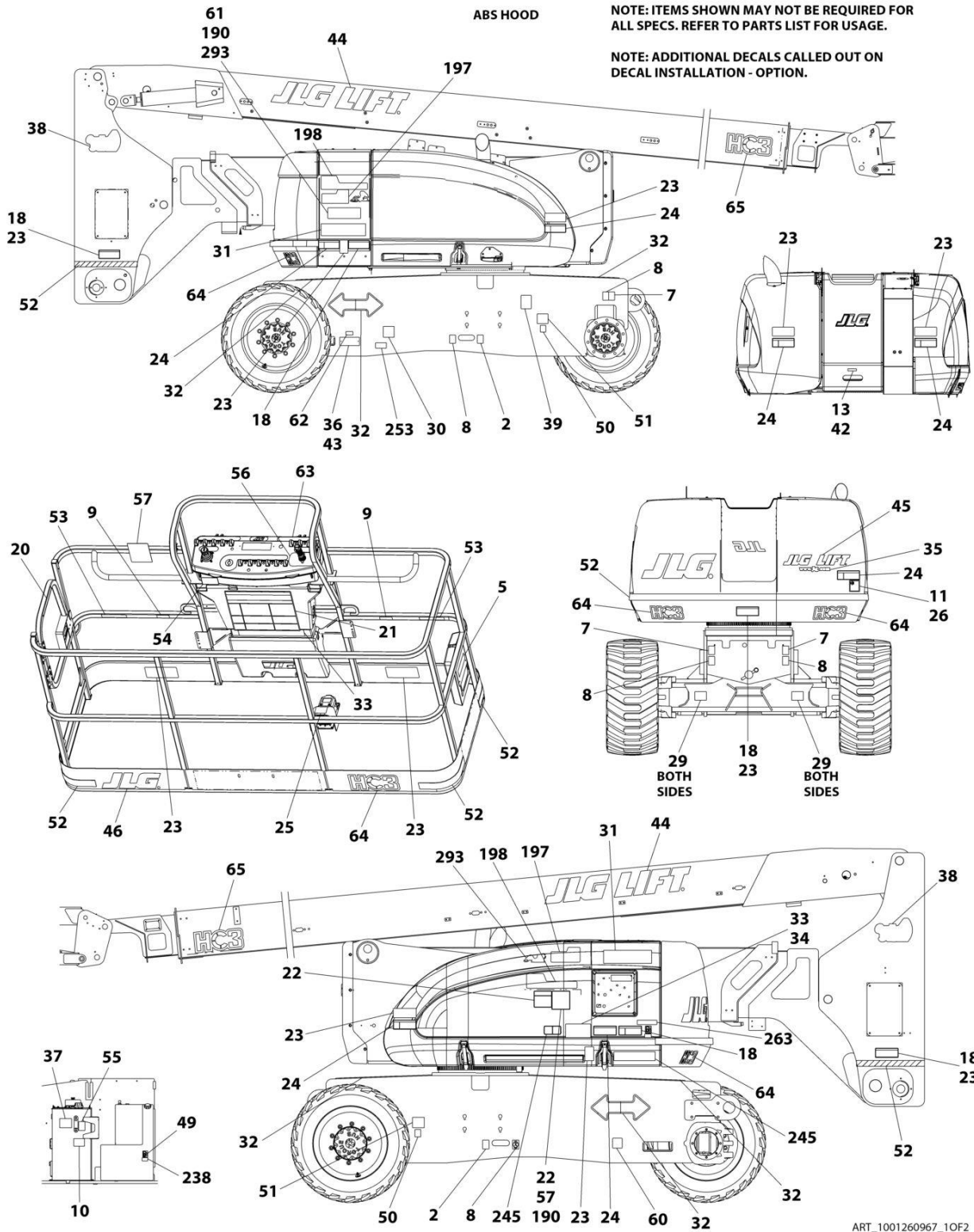
FIGURE 8-65. WHITE NOISE ALARM HARNESS

| ITEM | PART NUMBER | QTY | DESCRIPTION | REV |
|------|-------------|-----|--------------------------------|-----|
| | 1001243682 | Ref | WHITE NOISE ALARM HARNESS | A |
| 1 | 4460891 | 1 | Plug, Male - 2 Position | |
| 1 | 4460465 | 2 | Socket, Female | |
| 2 | 4460871 | 1 | Terminal | |
| 3 | 4460539 | 1 | Plug, Male- 3 Position | |
| 3 | 4460465 | 3 | Socket, Female | |
| 4 | 4460536 | 1 | Receptacle, Female- 3 Position | |
| 4 | 4460464 | 3 | Pin, Male | |

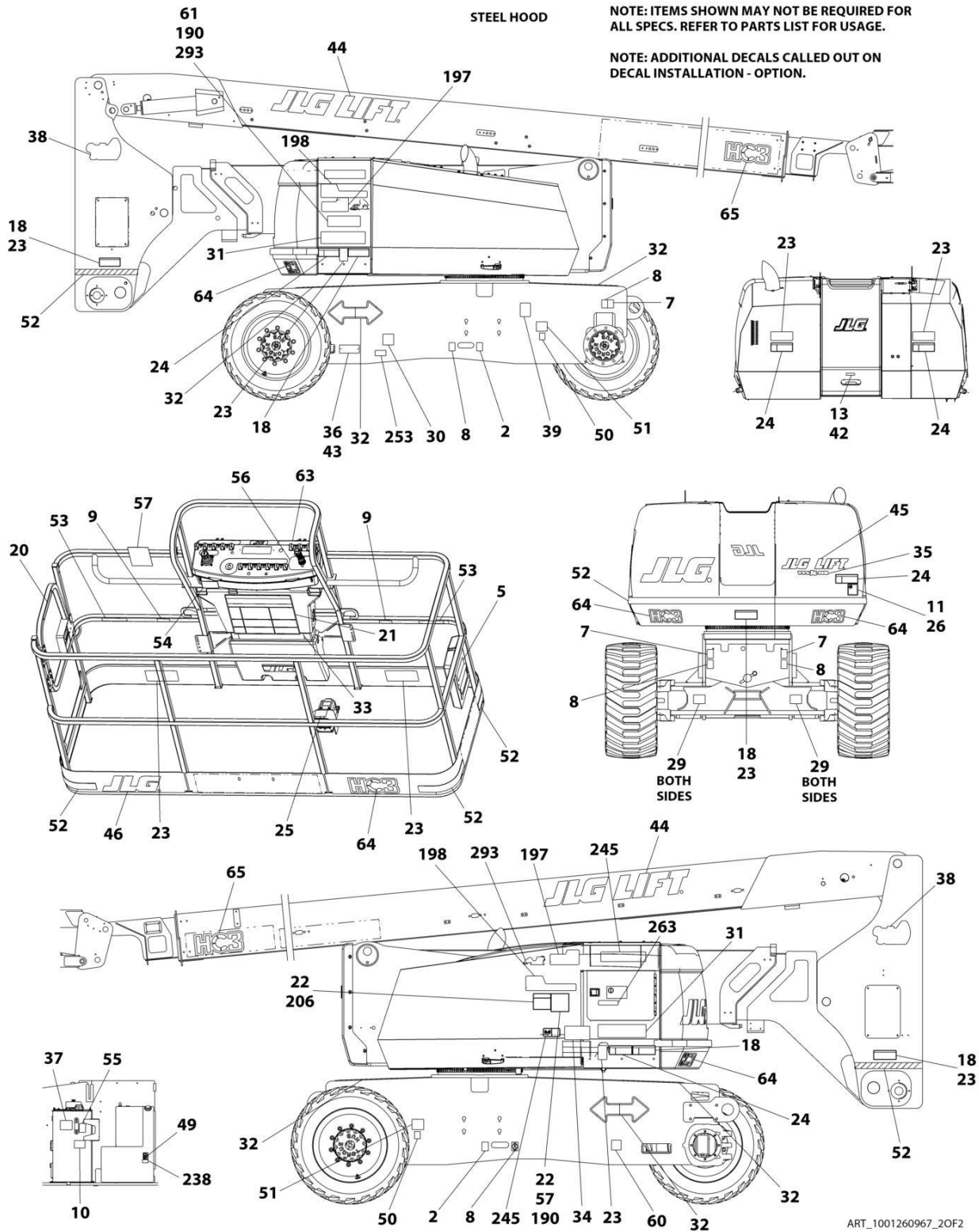
SECTION 9 - DECALS

SECTION 9 - DECALS

FIGURE 9-1. DECAL INSTALLATION (ANSI SPECS)



SECTION 9 - DECALS

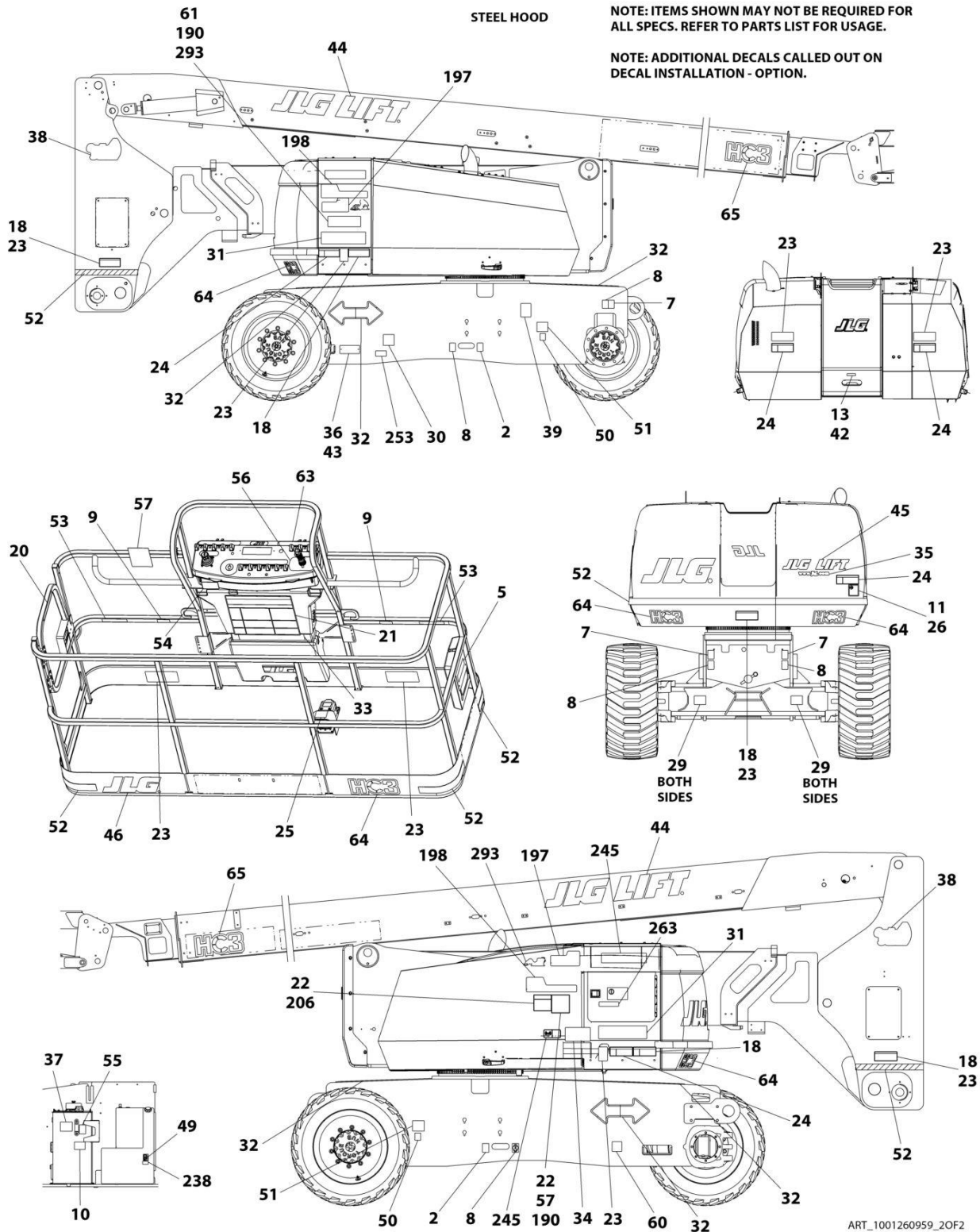


SECTION 9 - DECALS

FIGURE 9-1. DECAL INSTALLATION (ANSI SPECS)

| ITEM | PART NUMBER | QTY | DESCRIPTION | REV |
|------|-------------|-----------|---|-----|
| | 1001260967 | Ref | DECAL INSTALLATION | C |
| | 1001260969 | Ref | REFERENCE CHART | B |
| 2 | 1701499 | 2 | Decal - No Lifting | |
| 5 | 1701509 | 1 | Decal - Manual | |
| 7 | 1703811 | 4 | Decal - Lifting Lug | |
| 8 | 1703814 | 6 | Decal - Tie Down | |
| 9 | 1704277 | 3 | Decal - Lanyard Attach Graphic | |
| 10 | 1704412 | 1 | Decal - Hydraulic Oil Chart | |
| 13 | 3251243 | 1 | Nameplate - 120V-60Hz | |
| 18 | 1703953 | 5 | Decal - Warning Crushing | |
| 20 | 1702868 | 2 | Decal - No Hands | |
| 21 | 1703797 | 1 | Decal - Warning/Danger | |
| 22 | 1705336 | 1 | Decal - Warning Inspection | |
| 23 | 1703804 | 6 | Decal - Warning Crushing | |
| 24 | 1703805 | 5 | Decal - Danger Electrocution | |
| 25 | 3252347 | 1 | Decal - Footswitch | |
| 29 | 1703482 | 4 | Decal - Maximum Tire Load | |
| 30 | See Note | NSS | Decal - Bar Code (Note: Not Available for Purchase) | |
| 31 | 1703773 | 2 | Decal - 800AJ | |
| 32 | 1701501 | 4 | Decal - Arrow | |
| 33 | 1001234425 | 1 | Decal - Warning Maximum Capacity | |
| 34 | 1001234426 | 1 | Decal - Warning Maximum Capacity | |
| 37 | 1001096141 | 1 | Decal - Upright Level Override | |
| 38 | 1703959 | 2 | Decal - Quick Stick | |
| 39 | 1001131269 | 1 | Decal - Patent | |
| 43 | 3820001 | 2 | Rivet | |
| 52 | 4420051 | 23 ft /7m | Tape, Safety | |
| 56 | 1705351 | 1 | Decal - Drive/Steer Instructions | |
| 60 | 1001223055 | 1 | Decal - Yearly Inspection | |
| 61 | 1001263941 | 1 | Decal - Lift Diagram | |
| 62 | 1001223453 | 1 | Decal - ICES | |
| 63 | 1001131168 | 1 | Decal - Stop | |

SECTION 9 - DECALS



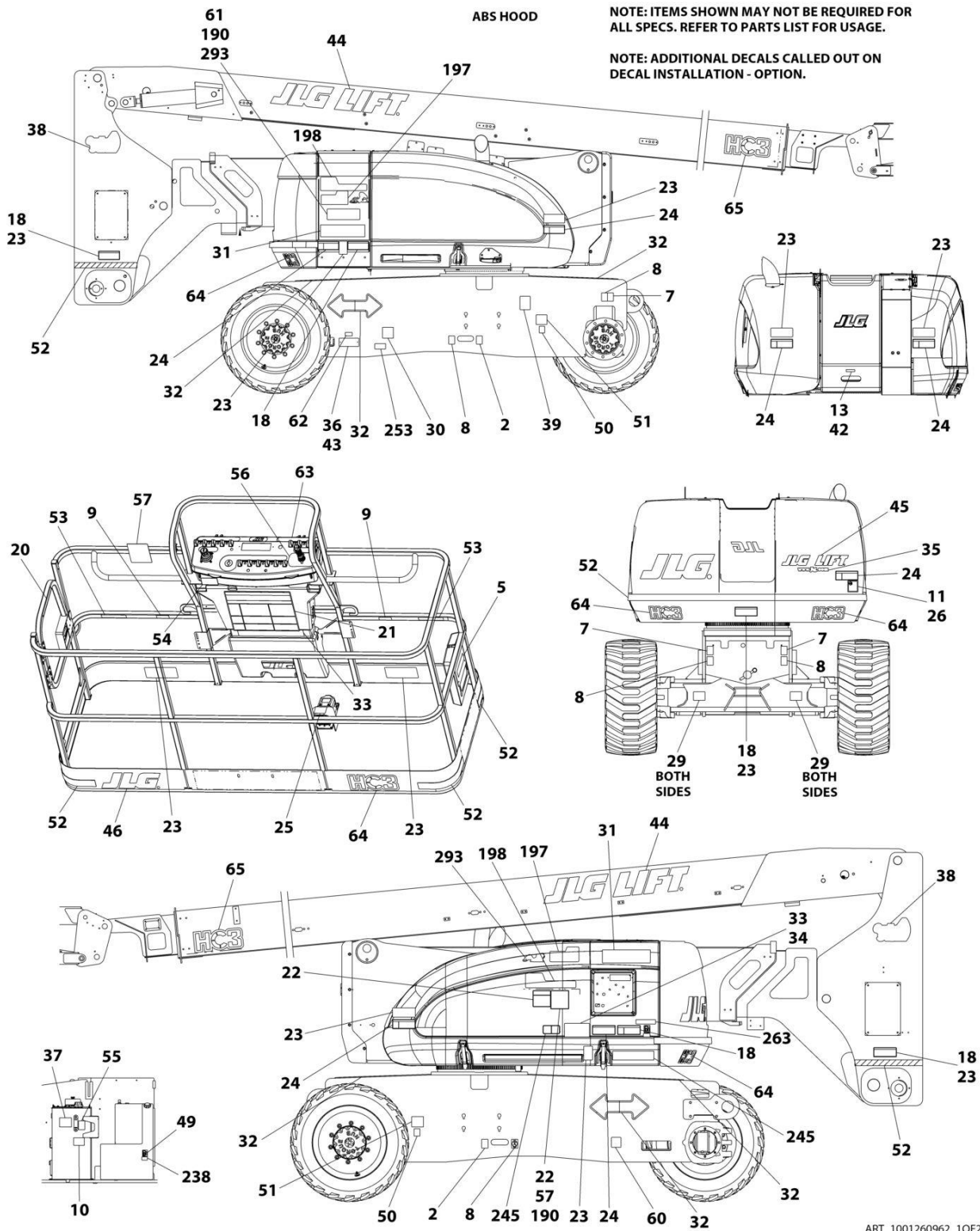
SECTION 9 - DECALS

FIGURE 9-2. DECAL INSTALLATION (AUSTRALIAN SPECS)

| ITEM | PART NUMBER | QTY | DESCRIPTION | REV |
|------|-------------|-----------|---|-----|
| | 1001260959 | Ref | DECAL INSTALLATION | B |
| | 1001260969 | Ref | REFERENCE CHART | B |
| 2 | 1701499 | 2 | Decal - No Lifting | |
| 5 | 1701509 | 1 | Decal - Manual | |
| 7 | 1703811 | 4 | Decal - Lifting Lug | |
| 8 | 1703814 | 6 | Decal - Tie Down | |
| 9 | 1704277 | 3 | Decal - Lanyard Attach Graphic | |
| 10 | 1704412 | 1 | Decal - Hydraulic Oil Chart | |
| 21 | 1705921 | 1 | Decal - Tipping | |
| 22 | 1705822 | 1 | Decal - Danger | |
| 23 | 1701518 | 10 | Decal - Warning Crushing | |
| 24 | 1705961 | 5 | Decal - Danger Electrocution | |
| 25 | 1705828 | 1 | Decal - Footswitch | |
| 29 | 1703482 | 4 | Decal - Maximum Tire Load | |
| 30 | See Note | NSS | Decal - Bar Code (Note: Not Available for Purchase) | |
| 31 | 1703773 | 2 | Decal - 800AJ | |
| 32 | 1701501 | 4 | Decal - Arrow | |
| 33 | 1001234439 | 2 | Decal - Warning Maximum Capacity | |
| 37 | 1705977 | 1 | Decal - Upright Level | |
| 38 | 1703959 | 2 | Decal - Quick Stick | |
| 43 | 3820001 | 2 | Rivet | |
| 52 | 4420051 | 23 ft /7m | Tape, Safety | |
| 57 | 1001112551 | 1 | Decal - Emergency Control | |
| 61 | 1001263941 | 1 | Decal - Lift Diagram | |
| 63 | 1001184618 | 1 | Decal - Stop | |

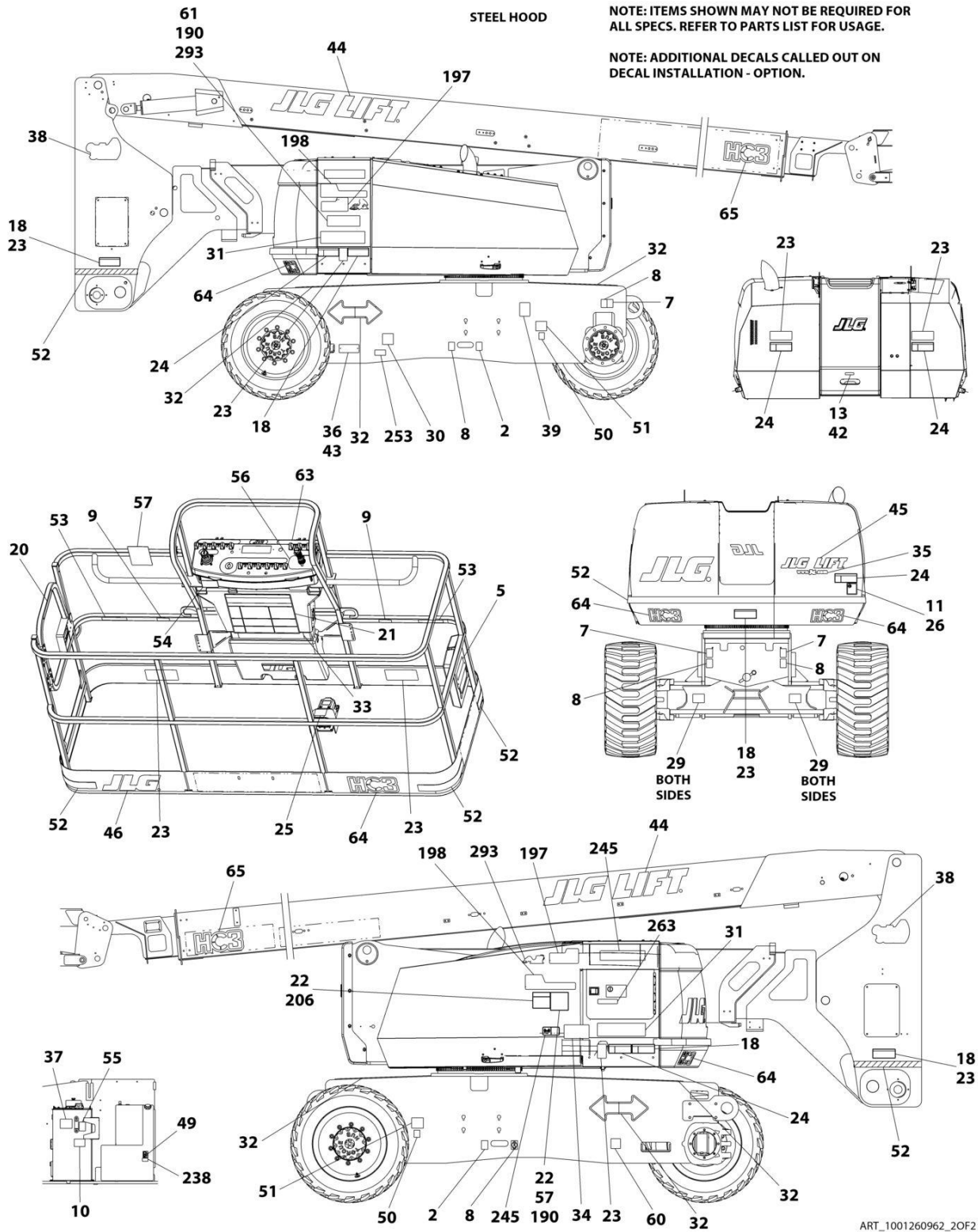
SECTION 9 - DECALS

FIGURE 9-3. DECAL INSTALLATION (BRAZILIAN SPECS)



ART_1001260962_10F2

SECTION 9 - DECALS



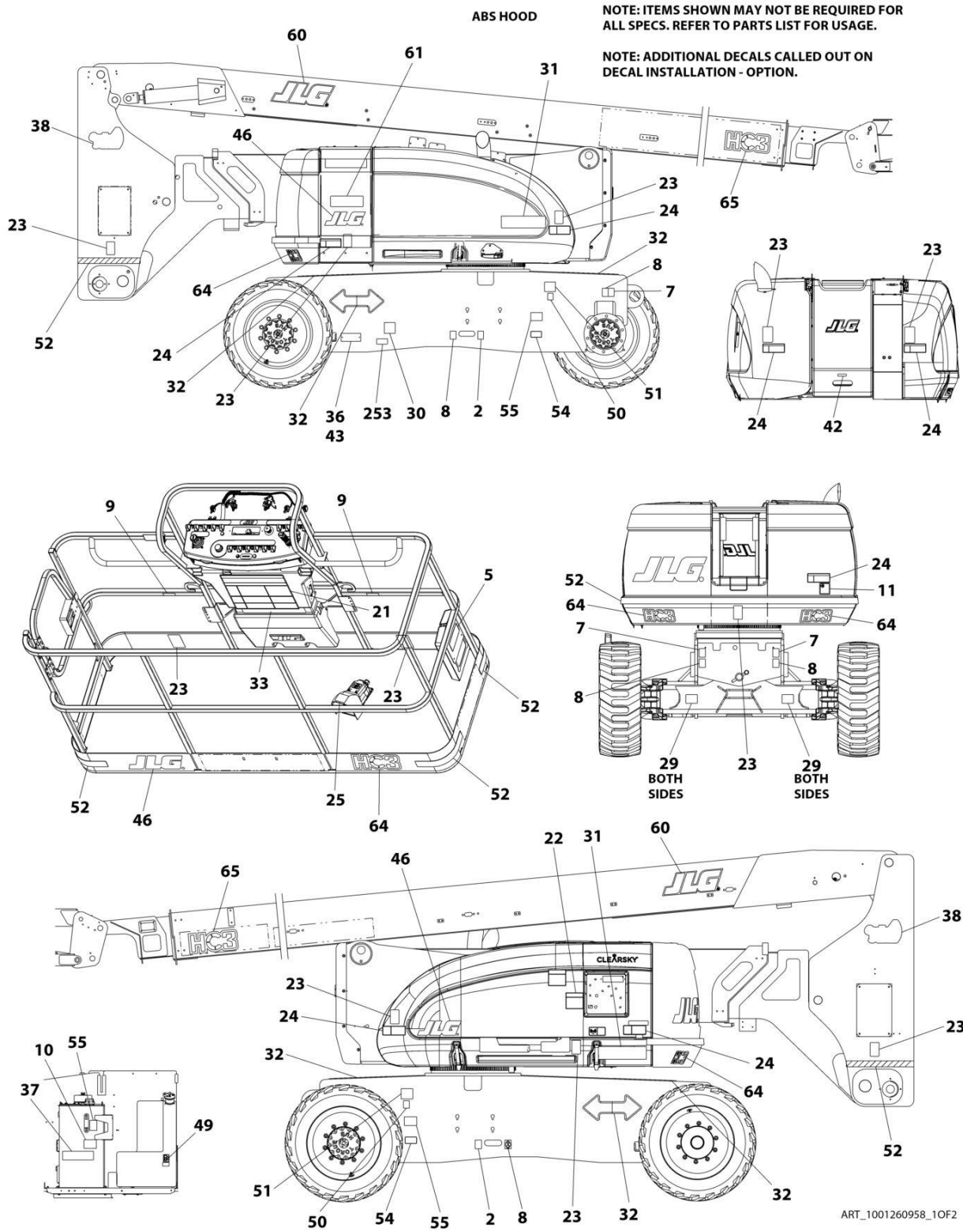
SECTION 9 - DECALS

FIGURE 9-3. DECAL INSTALLATION (BRAZILIAN SPECS)

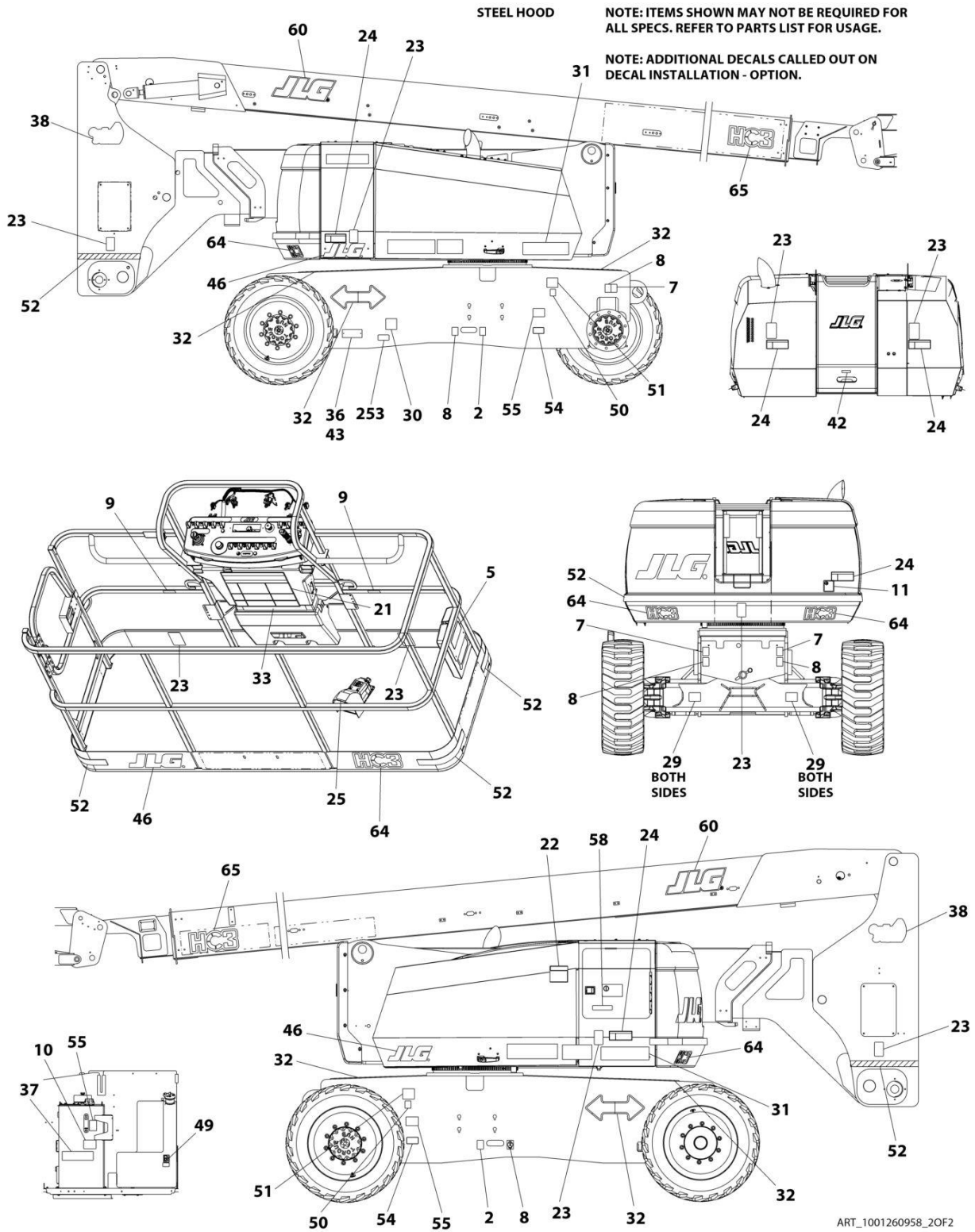
| ITEM | PART NUMBER | QTY | DESCRIPTION | REV |
|------|-------------|-----------|---|-----|
| | 1001260962 | Ref | DECAL INSTALLATION | B |
| | 1001260969 | Ref | REFERENCE CHART | B |
| 2 | 1701499 | 2 | Decal - No Lifting | |
| 5 | 1701509 | 1 | Decal - Manual | |
| 7 | 1703811 | 4 | Decal - Lifting Lug | |
| 8 | 1703814 | 6 | Decal - Tie Down | |
| 9 | 1704277 | 3 | Decal - Lanyard Attach Graphic | |
| 10 | 1704412 | 1 | Decal - Hydraulic Oil Chart | |
| 18 | 1703943 | 5 | Decal - Warning Crushing | |
| 20 | 1705967 | 2 | Decal - No Hands | |
| 21 | 1705895 | 1 | Decal - Warning/Danger | |
| 22 | 1705896 | 1 | Decal - Warning Inspection | |
| 23 | 1705898 | 6 | Decal - Warning Crushing | |
| 24 | 1705897 | 5 | Decal - Danger Electrocutation | |
| 25 | 1705902 | 1 | Decal - Footswitch | |
| 29 | 1703482 | 4 | Decal - Maximum Tire Load | |
| 30 | See Note | NSS | Decal - Bar Code (Note: Not Available for Purchase) | |
| 31 | 1703773 | 2 | Decal - 800AJ | |
| 32 | 1701501 | 4 | Decal - Arrow | |
| 33 | 1001234437 | 1 | Decal - Warning Maximum Capacity | |
| 34 | 1001234438 | 1 | Decal - Warning Maximum Capacity | |
| 37 | 1705977 | 1 | Decal - Upright Level | |
| 38 | 1703959 | 2 | Decal - Quick Stick | |
| 43 | 3820001 | 2 | Rivet | |
| 52 | 4420051 | 23 ft /7m | Tape, Safety | |
| 56 | 1705905 | 1 | Decal - Drive/Steer | |
| 60 | 1001224052 | 1 | Decal - Yearly Inspection | |
| 61 | 1001263941 | 1 | Decal - Lift Diagram | |
| 63 | 1001184618 | 1 | Decal - Stop | |

SECTION 9 - DECALS

FIGURE 9-4. DECAL INSTALLATION (CE SPECS)



SECTION 9 - DECALS



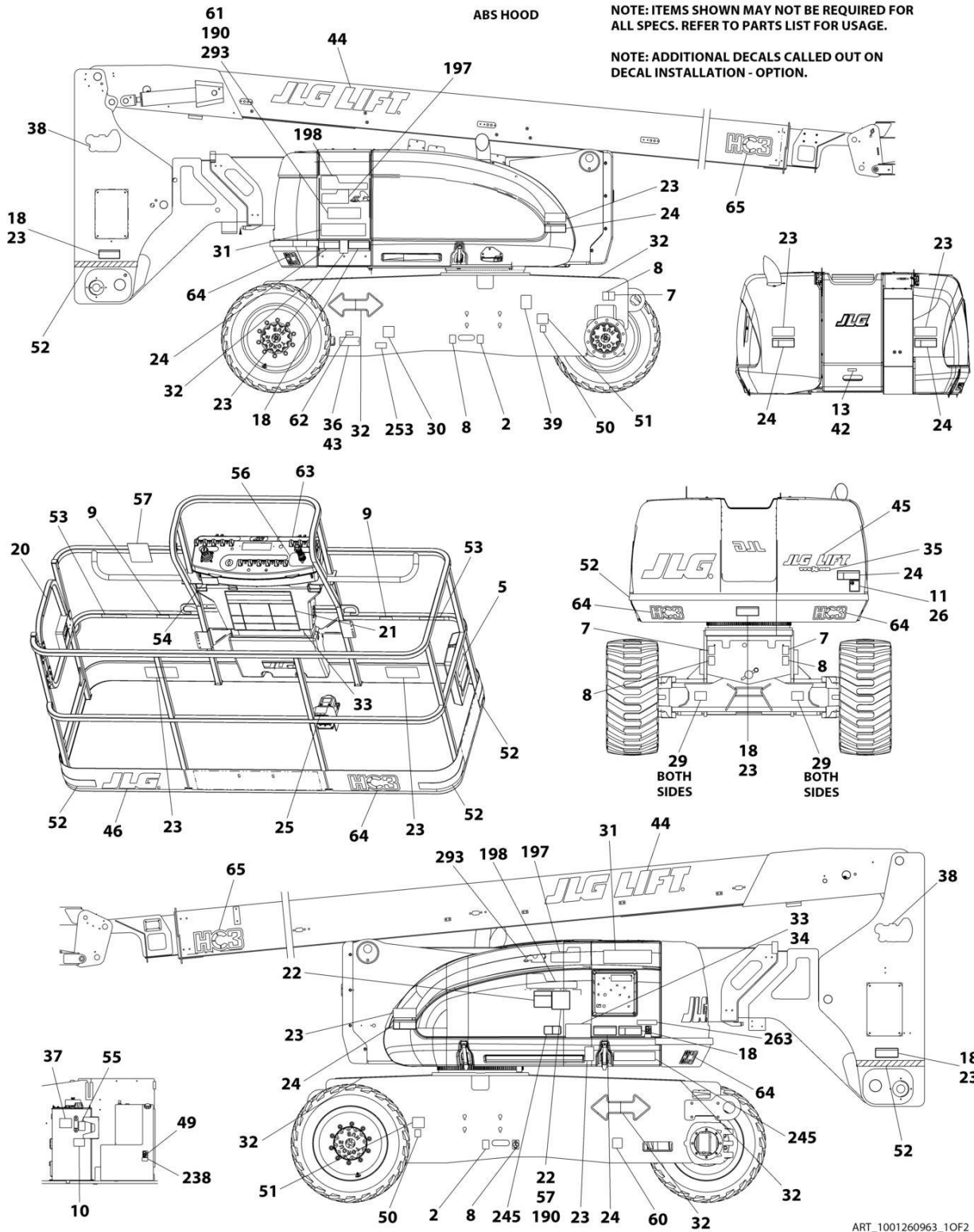
SECTION 9 - DECALS

FIGURE 9-4. DECAL INSTALLATION (CE SPECS)

| ITEM | PART NUMBER | QTY | DESCRIPTION | REV |
|------|-------------|-----------|---|-----|
| | 1001260958 | Ref | DECAL INSTALLATION | B |
| | 1001260968 | Ref | REFERENCE CHART | B |
| 2 | 1701499 | 2 | Decal - No Lifting | |
| 5 | 1701509 | 1 | Decal - Manual | |
| 7 | 1703811 | 4 | Decal - Lifting Lug | |
| 8 | 1703814 | 6 | Decal - Tie Down | |
| 9 | 1704277 | 3 | Decal - Lanyard Attach Graphic | |
| 10 | 1704412 | 1 | Decal - Hydraulic Oil Chart | |
| 21 | 1705921 | 1 | Decal - Tipping | |
| 22 | 1705822 | 1 | Decal - Danger | |
| 23 | 1701518 | 10 | Decal - Warning Crushing | |
| 24 | 1705961 | 5 | Decal - Danger Electrocution | |
| 25 | 1705828 | 1 | Decal - Footswitch | |
| 29 | 1703482 | 4 | Decal - Maximum Tire Load | |
| 30 | See Note | NSS | Decal - Bar Code (Note: Not Available for Purchase) | |
| 31 | 1703773 | 2 | Decal - 800AJ | |
| 32 | 1701501 | 4 | Decal - Arrow | |
| 33 | 1001234439 | 1 | Decal - Warning Maximum Capacity | |
| 37 | 1705977 | 1 | Decal - Upright Level | |
| 38 | 1703959 | 2 | Decal - Quick Stick | |
| 43 | 3820001 | 2 | Rivet | |
| 52 | 4420051 | 23 ft /7m | Tape, Safety | |
| 61 | 1001263941 | 1 | Decal - Lift Diagram | |
| 63 | 1001184618 | 1 | Decal - Stop | |

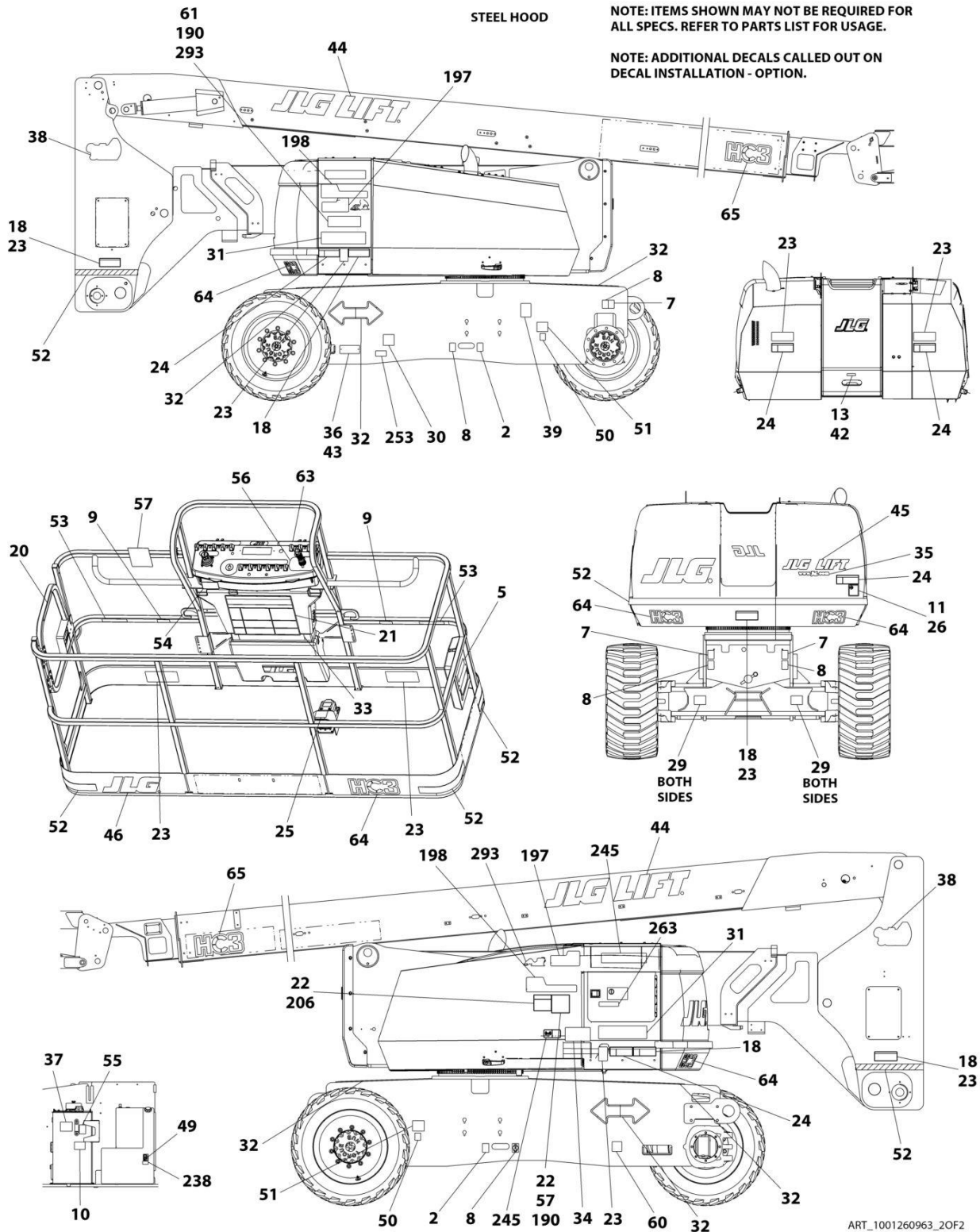
SECTION 9 - DECALS

FIGURE 9-5. DECAL INSTALLATION (CHINA SPECS)



ART_1001260963_10F2

SECTION 9 - DECALS



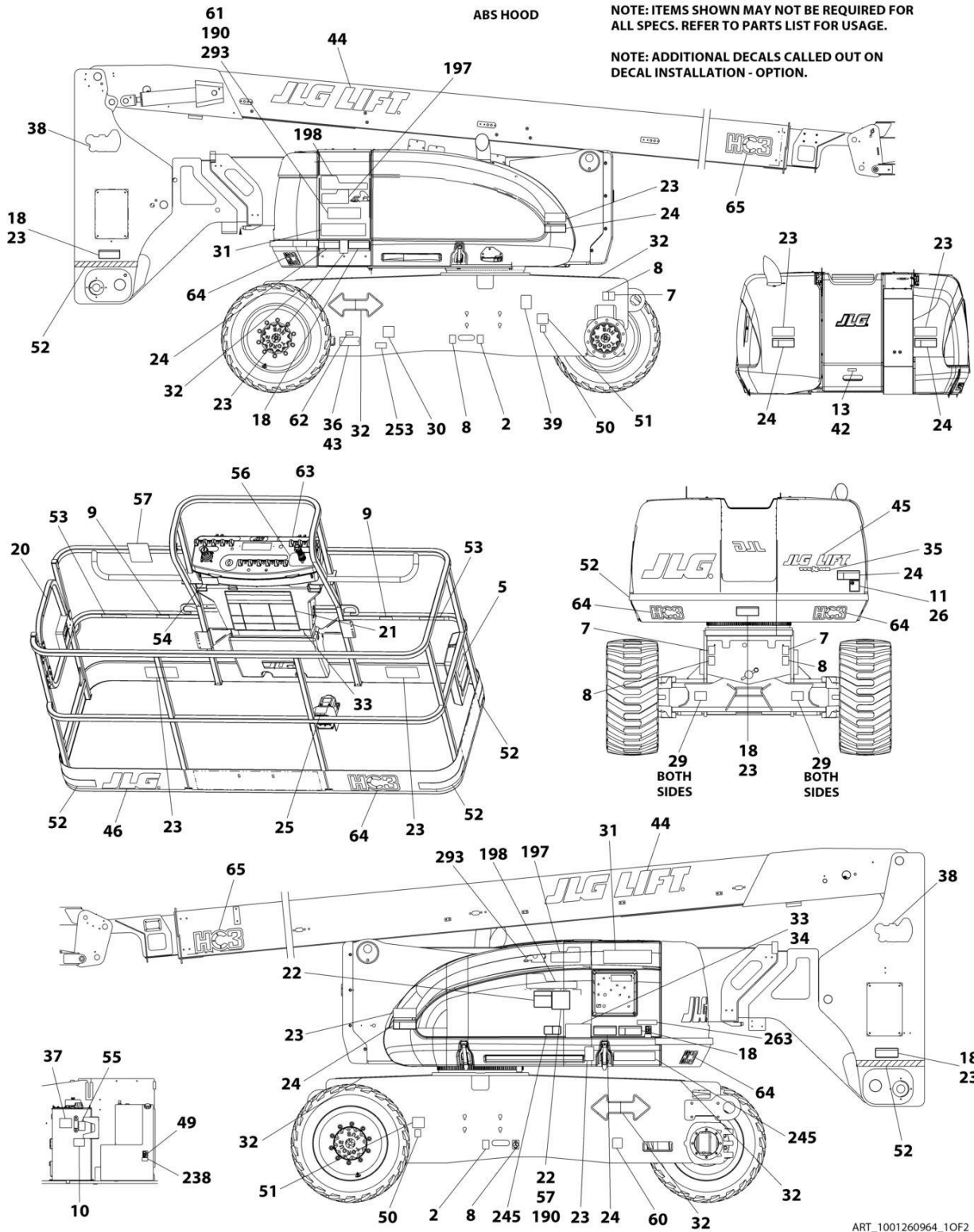
SECTION 9 - DECALS

FIGURE 9-5. DECAL INSTALLATION (CHINA SPECS)

| ITEM | PART NUMBER | QTY | DESCRIPTION | REV |
|------|-------------|-----------|---|-----|
| | 1001260963 | Ref | DECAL INSTALLATION | B |
| | 1001260969 | Ref | REFERENCE CHART | B |
| 2 | 1701499 | 2 | Decal - No Lifting | |
| 5 | 1701509 | 1 | Decal - Manual | |
| 7 | 1703811 | 4 | Decal - Lifting Lug | |
| 8 | 1703814 | 6 | Decal - Tie Down | |
| 9 | 1704277 | 3 | Decal - Lanyard Attach Graphic | |
| 10 | 1704412 | 1 | Decal - Hydraulic Oil Chart | |
| 18 | 1703943 | 5 | Decal - Warning Crushing | |
| 20 | 1705968 | 2 | Decal - No Hands | |
| 21 | 1703925 | 1 | Decal - Warning/Danger | |
| 22 | 1705348 | 1 | Decal - Warning Inspection | |
| 23 | 1703949 | 6 | Decal - Warning Crushing | |
| 24 | 1703937 | 5 | Decal - Danger Electrocution | |
| 25 | 1703982 | 1 | Decal - Footswitch | |
| 29 | 1703482 | 4 | Decal - Maximum Tire Load | |
| 30 | See Note | NSS | Decal - Bar Code (Note: Not Available for Purchase) | |
| 31 | 1703773 | 2 | Decal - 800AJ | |
| 32 | 1701501 | 4 | Decal - Arrow | |
| 33 | 1001234435 | 1 | Decal - Warning Maximum Capacity | |
| 34 | 1001234436 | 1 | Decal - Warning Maximum Capacity | |
| 37 | 1705977 | 1 | Decal - Upright Level | |
| 38 | 1703959 | 2 | Decal - Quick Stick | |
| 43 | 3820001 | 2 | Rivet | |
| 52 | 4420051 | 23 ft /7m | Tape, Safety | |
| 60 | 1001224050 | 1 | Decal - Yearly Inspection | |
| 61 | 1001263941 | 1 | Decal - Lift Diagram | |
| 63 | 1001184618 | 1 | Decal - Stop | |

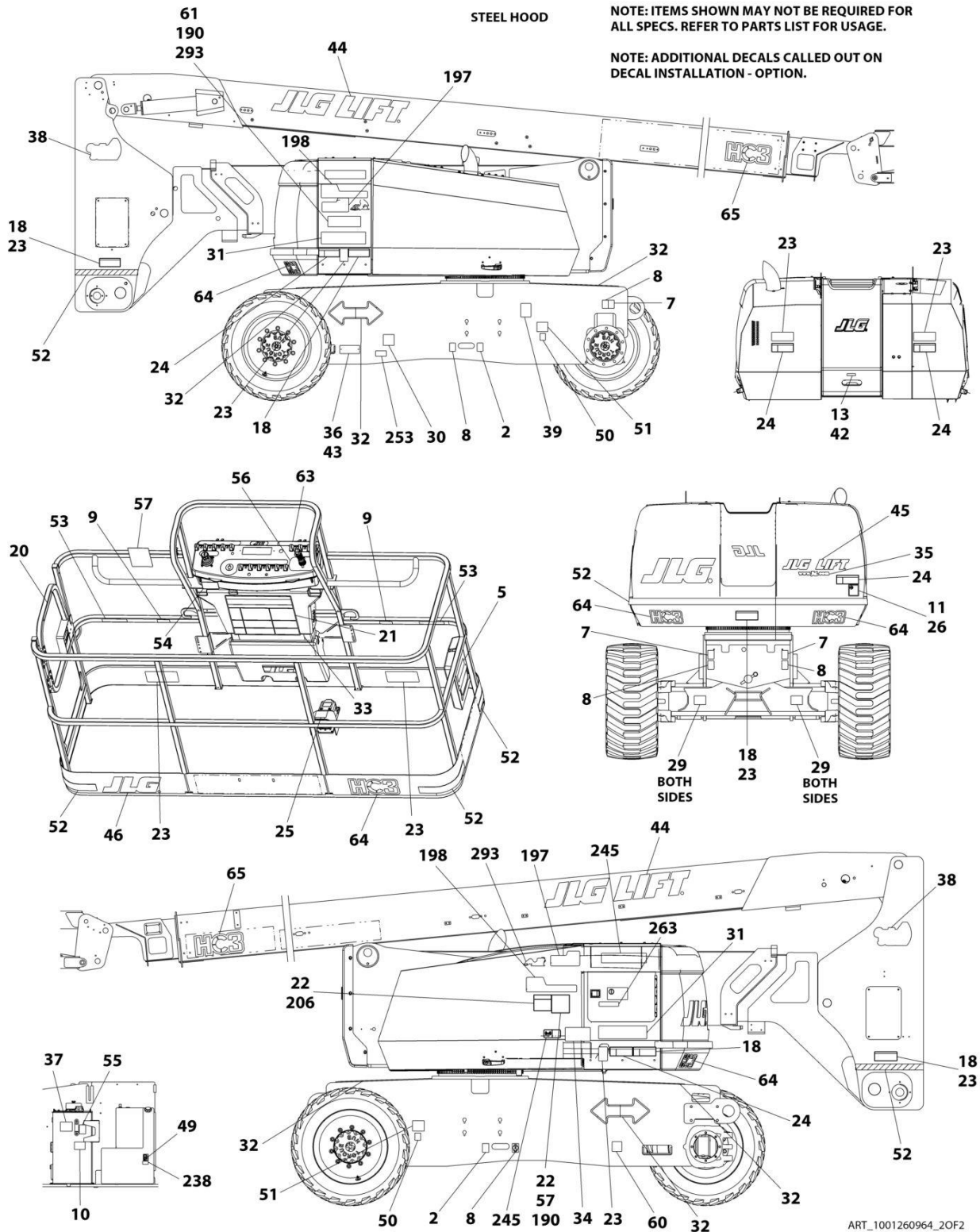
SECTION 9 - DECALS

FIGURE 9-6. DECAL INSTALLATION (CSA SPECS)



ART_1001260964_10F2

SECTION 9 - DECALS



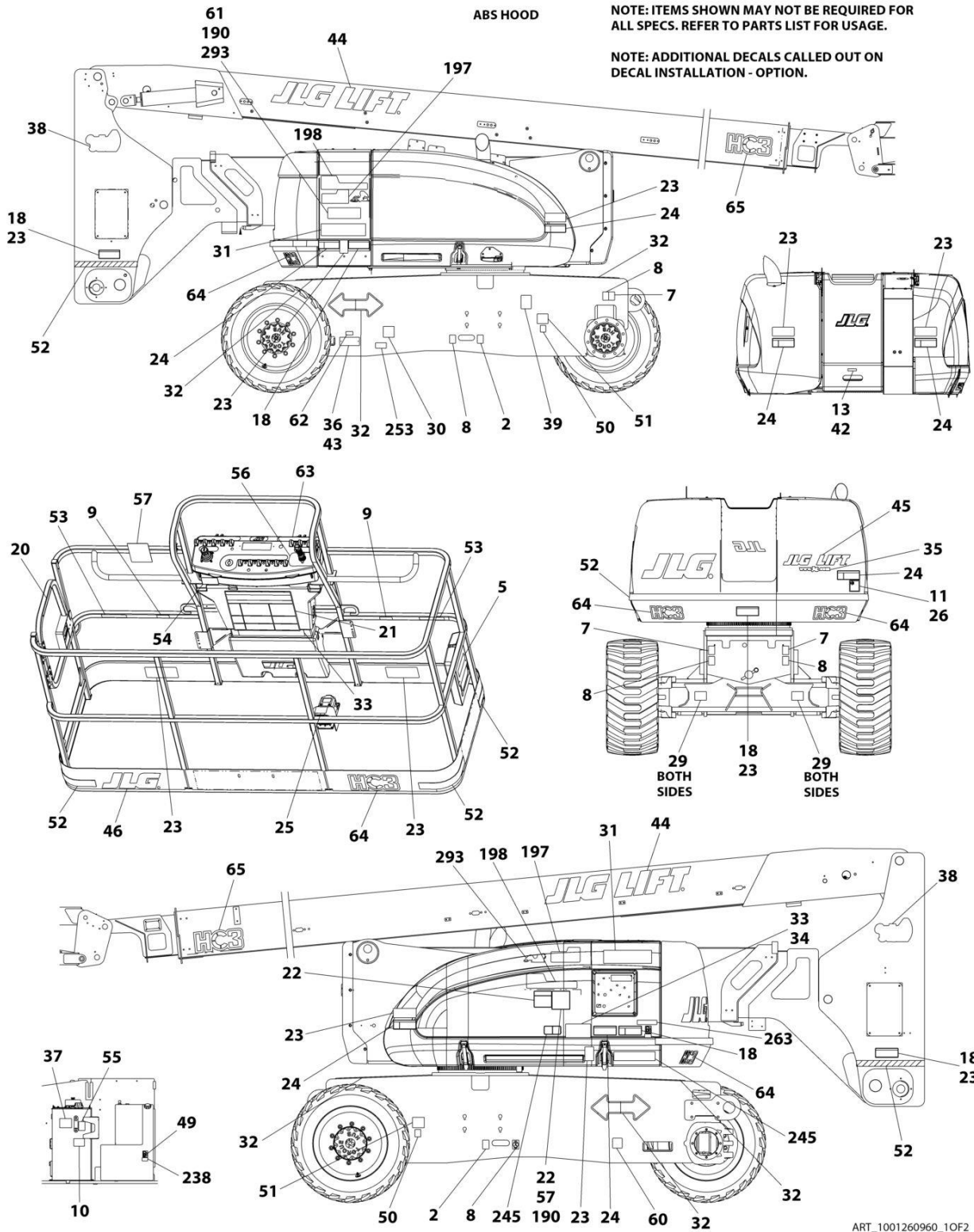
SECTION 9 - DECALS

FIGURE 9-6. DECAL INSTALLATION (CSA SPECS)

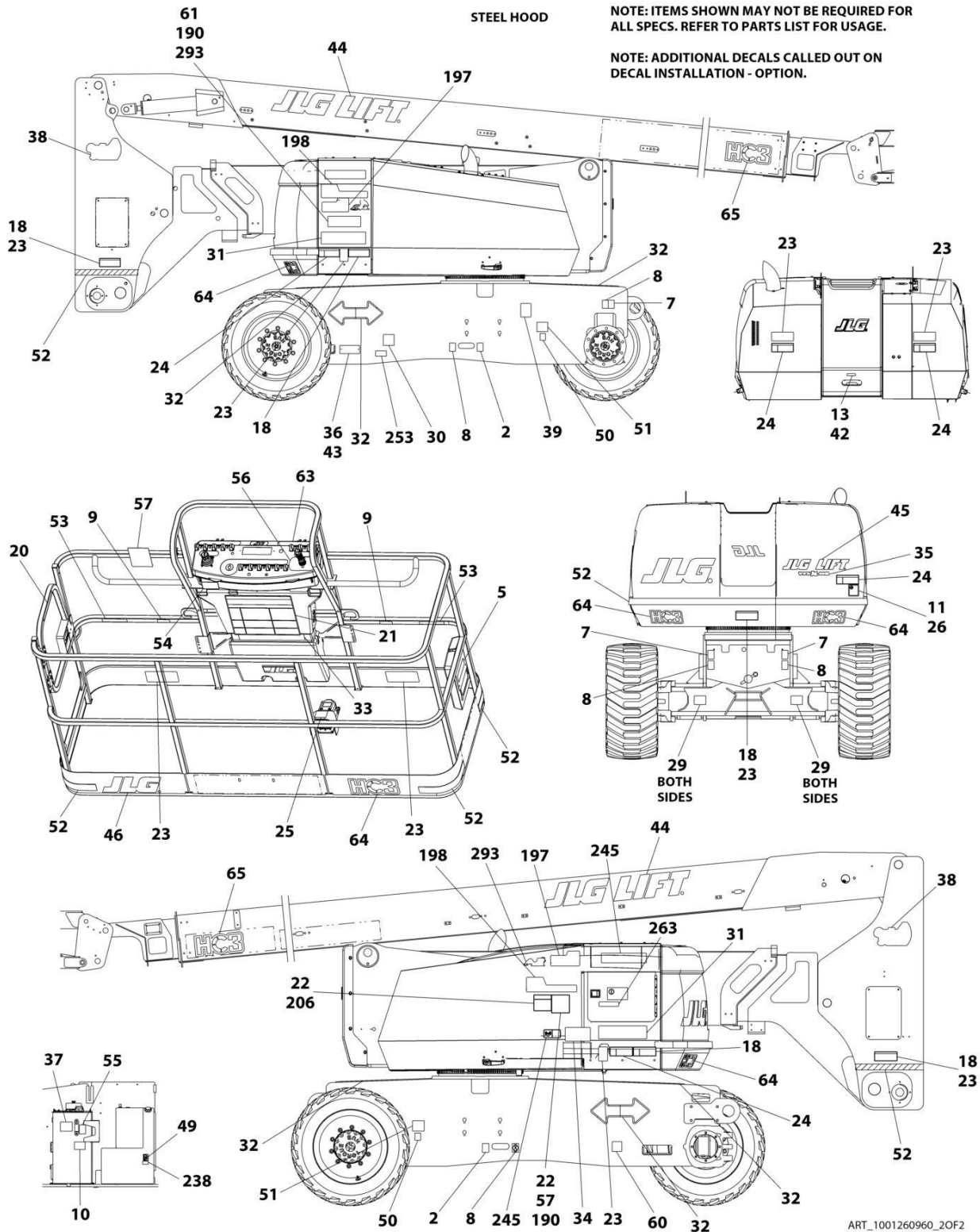
| ITEM | PART NUMBER | QTY | DESCRIPTION | REV |
|------|-------------|-----------|---|-----|
| | 1001260964 | Ref | DECAL INSTALLATION | B |
| | 1001260969 | Ref | REFERENCE CHART | B |
| 2 | 1701499 | 2 | Decal - No Lifting | |
| 5 | 1701509 | 1 | Decal - Manual | |
| 7 | 1703811 | 4 | Decal - Lifting Lug | |
| 8 | 1703814 | 6 | Decal - Tie Down | |
| 9 | 1704277 | 3 | Decal - Lanyard Attach Graphic | |
| 10 | 1704412 | 1 | Decal - Hydraulic Oil Chart | |
| 13 | 3251243 | 1 | Decal - Nameplate | |
| 18 | 1703942 | 5 | Decal - Warning Crushing | |
| 20 | 1704000 | 2 | Decal - No Hands | |
| 21 | 1703924 | 1 | Decal - Warning/Danger | |
| 22 | 1705347 | 1 | Decal - Warning Inspection | |
| 23 | 1703948 | 6 | Decal - Warning Crushing | |
| 24 | 1703936 | 5 | Decal - Danger Electrocution | |
| 25 | 1703984 | 1 | Decal - Footswitch | |
| 29 | 1703482 | 4 | Decal - Maximum Tire Load | |
| 30 | See Note | NSS | Decal - Bar Code (Note: Not Available for Purchase) | |
| 31 | 1703773 | 2 | Decal - 800AJ | |
| 32 | 1701501 | 4 | Decal - Arrow | |
| 33 | 1001234433 | 1 | Decal - Warning Maximum Capacity | |
| 34 | 1001234434 | 1 | Decal - Warning Maximum Capacity | |
| 37 | 1705977 | 1 | Decal - Upright Level | |
| 38 | 1703959 | 2 | Decal - Quick Stick | |
| 43 | 3820001 | 2 | Rivet | |
| 52 | 4420051 | 23 ft /7m | Tape, Safety | |
| 56 | 1705429 | 1 | Decal - Drive/Steer | |
| 60 | 1001223971 | 1 | Decal - Yearly Inspection | |
| 61 | 1001263941 | 1 | Decal - Lift Diagram | |
| 62 | 1001223453 | 1 | Decal - ICES | |
| 63 | 1001184618 | 1 | Decal - Stop | |

SECTION 9 - DECALS

FIGURE 9-7. DECAL INSTALLATION (JAPANESE SPECS)



SECTION 9 - DECALS



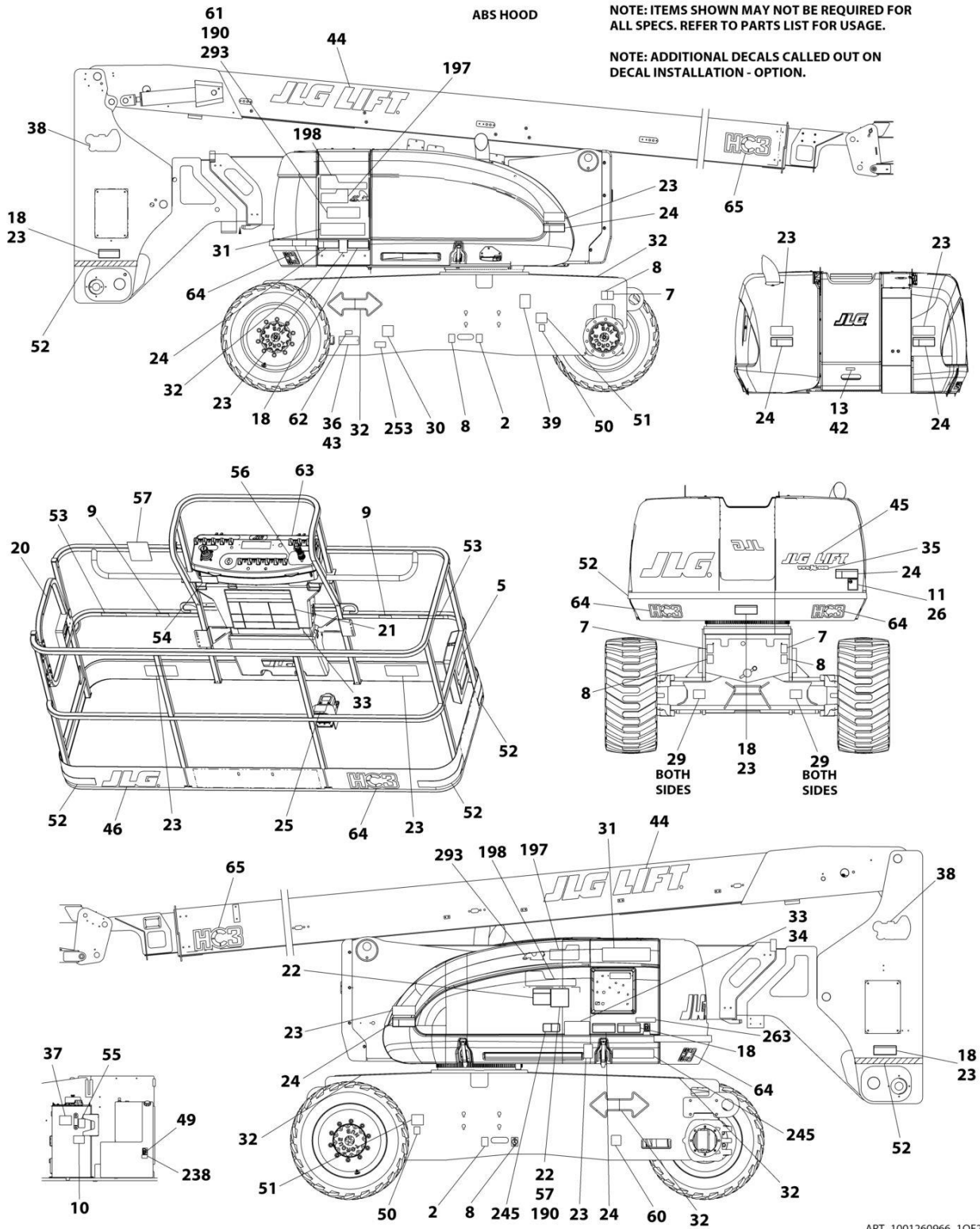
SECTION 9 - DECALS

FIGURE 9-7. DECAL INSTALLATION (JAPANESE SPECS)

| ITEM | PART NUMBER | QTY | DESCRIPTION | REV |
|------|-------------|-----------|---|-----|
| | 1001260960 | Ref | DECAL INSTALLATION | B |
| | 1001260969 | Ref | REFERENCE CHART | B |
| 2 | 1701499 | 2 | Decal - No Lifting | |
| 5 | 1701509 | 1 | Decal - Manual | |
| 7 | 1703811 | 4 | Decal - Lifting Lug | |
| 8 | 1703814 | 6 | Decal - Tie Down | |
| 9 | 1704277 | 3 | Decal - Lanyard Attach Graphic | |
| 10 | 1704412 | 1 | Decal - Hydraulic Oil Chart | |
| 13 | 3251243 | 1 | Decal - Nameplate | |
| 18 | 1703944 | 5 | Decal - Warning Crushing | |
| 21 | 1703926 | 1 | Decal - Warning/Danger | |
| 22 | 1705344 | 1 | Decal - Warning Inspection | |
| 23 | 1703950 | 6 | Decal - Warning Crushing | |
| 24 | 1703938 | 5 | Decal - Danger Electrocution | |
| 25 | 1703980 | 1 | Decal - Footswitch | |
| 29 | 1703482 | 4 | Decal - Maximum Tire Load | |
| 30 | See Note | NSS | Decal - Bar Code (Note: Not Available for Purchase) | |
| 31 | 1703773 | 2 | Decal - 800AJ | |
| 32 | 1701501 | 4 | Decal - Arrow | |
| 33 | 1001234428 | 1 | Decal - Warning Maximum Capacity | |
| 34 | 1001234429 | 1 | Decal - Warning Maximum Capacity | |
| 37 | 1705977 | 1 | Decal - Upright Level | |
| 38 | 1703959 | 2 | Decal - Quick Stick | |
| 43 | 3820001 | 2 | Rivet | |
| 52 | 4420051 | 23 ft /7m | Tape, Safety | |
| 56 | 1705426 | 1 | Decal - Drive/Steer | |
| 60 | 1001224053 | 1 | Decal - Yearly Inspection | |
| 61 | 1001263941 | 1 | Decal - Lift Diagram | |
| 63 | 1001184618 | 1 | Decal - Stop | |

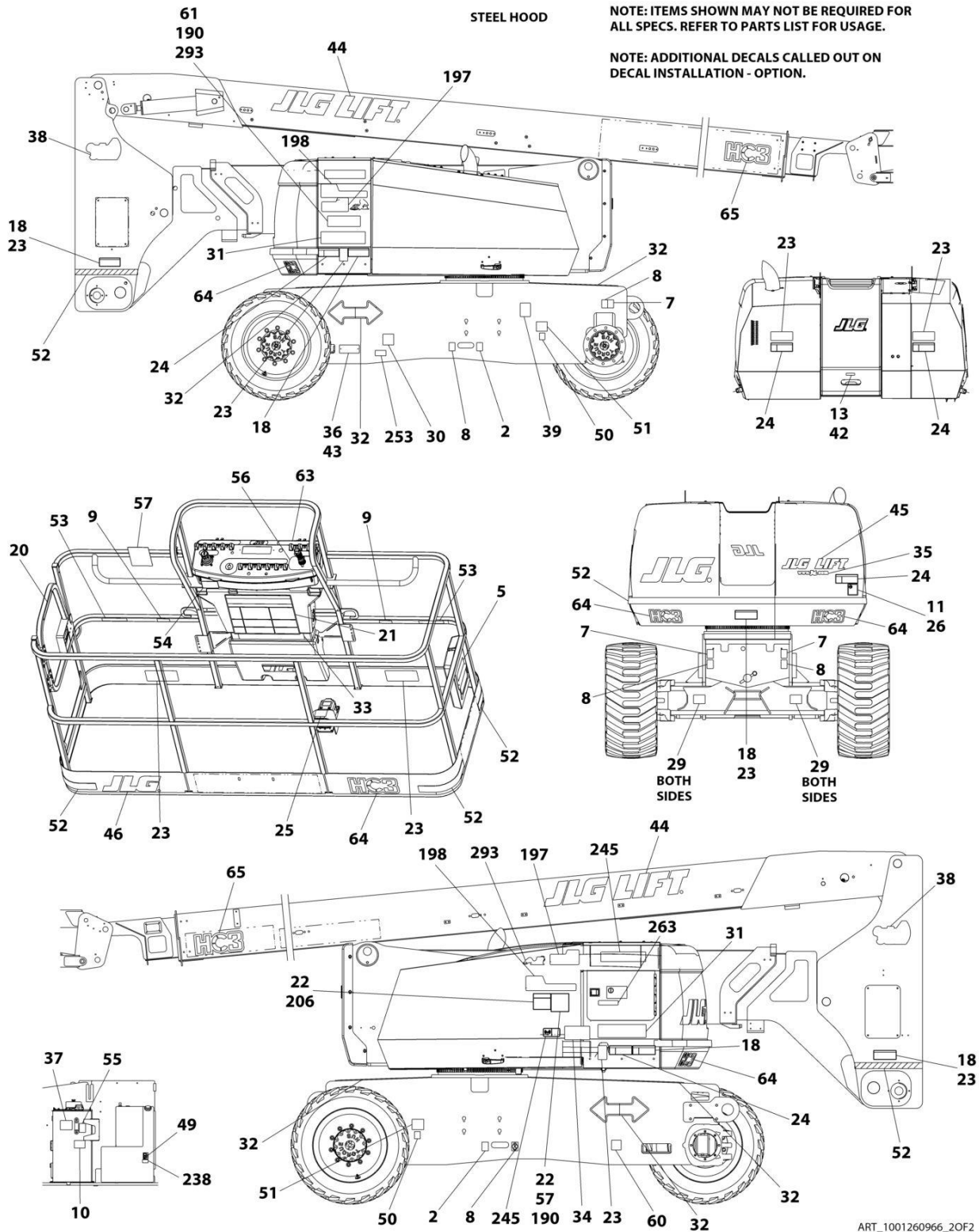
SECTION 9 - DECALS

FIGURE 9-8. DECAL INSTALLATION (KOREAN SPECS)



ART_1001260966_10F2

SECTION 9 - DECALS



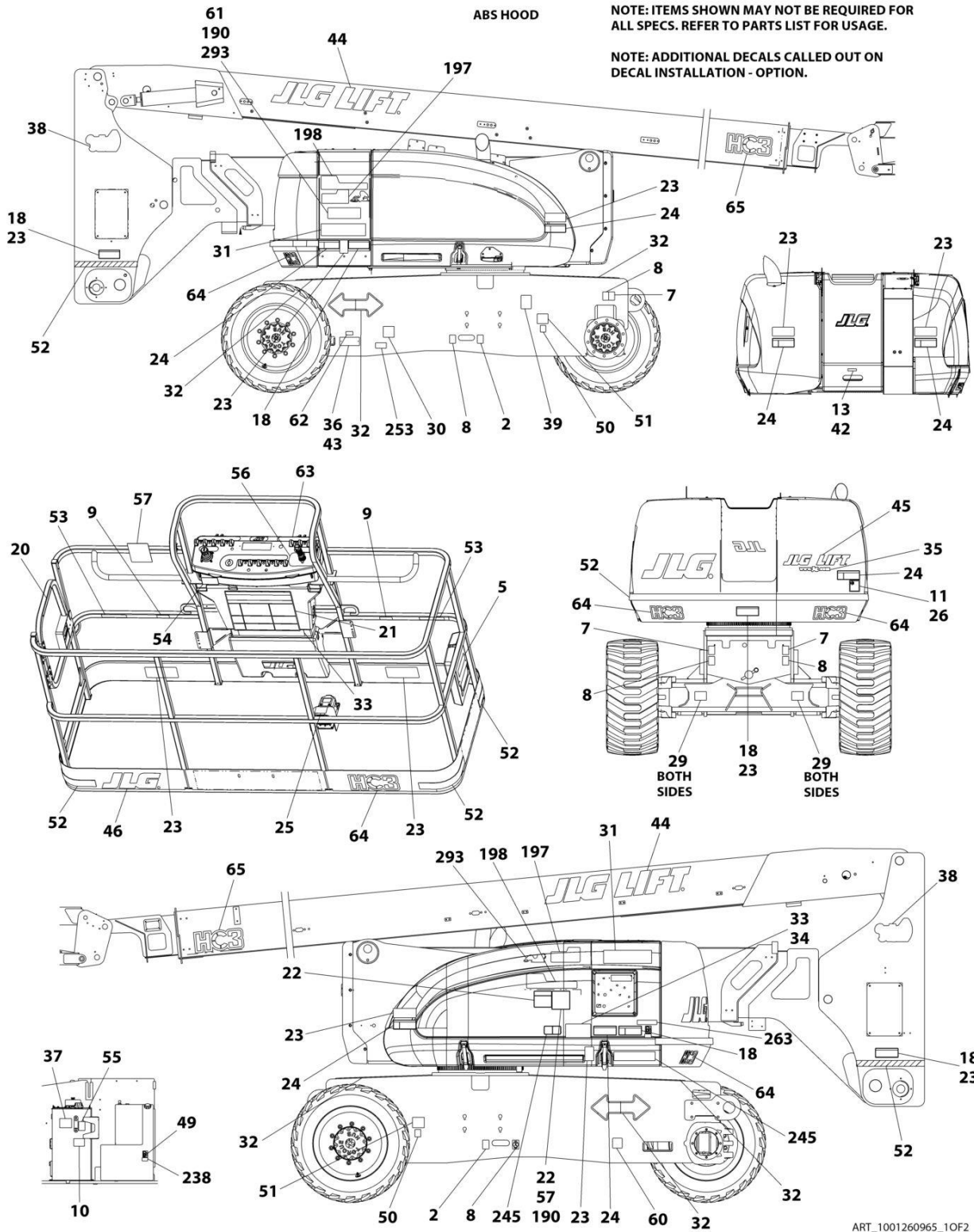
SECTION 9 - DECALS

FIGURE 9-8. DECAL INSTALLATION (KOREAN SPECS)

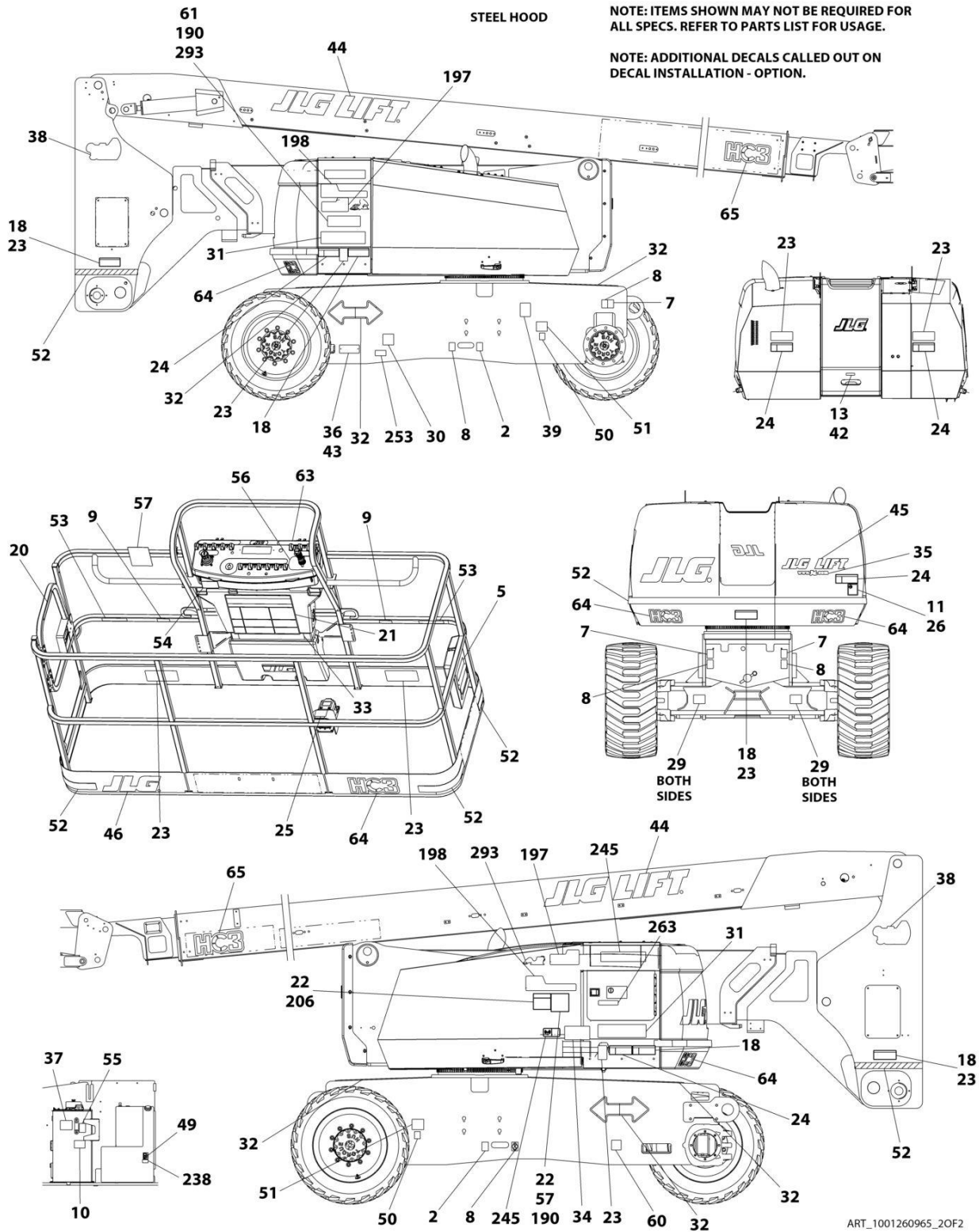
| ITEM | PART NUMBER | QTY | DESCRIPTION | REV |
|------|-------------|-----------|---|-----|
| | 1001260966 | Ref | DECAL INSTALLATION | B |
| | 1001260969 | Ref | REFERENCE CHART | B |
| 1 | 1001263941 | 1 | Decal - Lift Diagram | |
| 2 | 1701499 | 2 | Decal - No Lifting | |
| 5 | 1701509 | 1 | Decal - Manual | |
| 7 | 1703811 | 4 | Decal - Lifting Lug | |
| 8 | 1703814 | 6 | Decal - Tie Down | |
| 9 | 1704277 | 3 | Decal - Lanyard Attach Graphic | |
| 10 | 1704412 | 1 | Decal - Hydraulic Oil Chart | |
| 18 | 1703945 | 5 | Decal - Warning Crushing | |
| 20 | 1705969 | 2 | Decal - No Hands | |
| 22 | 1703927 | 1 | Decal - Warning/Danger | |
| 23 | 1703951 | 6 | Decal - Warning Crushing | |
| 24 | 1703939 | 5 | Decal - Danger Electrocuton | |
| 25 | 1703981 | 1 | Decal - Footswitch | |
| 29 | 1703482 | 4 | Decal - Maximum Tire Load | |
| 30 | See Note | NSS | Decal - Bar Code (Note: Not Available for Purchase) | |
| 31 | 1703773 | 2 | Decal - 800AJ | |
| 32 | 1701501 | 4 | Decal - Arrow | |
| 33 | 1001234430 | 1 | Decal - Warning Maximum Capacity | |
| 34 | 1001235585 | 1 | Decal - Warning Maximum Capacity | |
| 37 | 1705977 | 1 | Decal - Upright Level | |
| 38 | 1703959 | 2 | Decal - Quick Stick | |
| 43 | 3820001 | 2 | Rivet | |
| 52 | 4420051 | 23 ft /7m | Tape, Safety | |
| 56 | 1705427 | 1 | Decal - Drive/Steer Instructions | |
| 60 | 1001224048 | 1 | Decal - Yearly Inspection | |
| 63 | 1001184618 | 1 | Decal - Stop | |

SECTION 9 - DECALS

FIGURE 9-9. DECAL INSTALLATION (LATIN AMERICAN SPECS)



SECTION 9 - DECALS



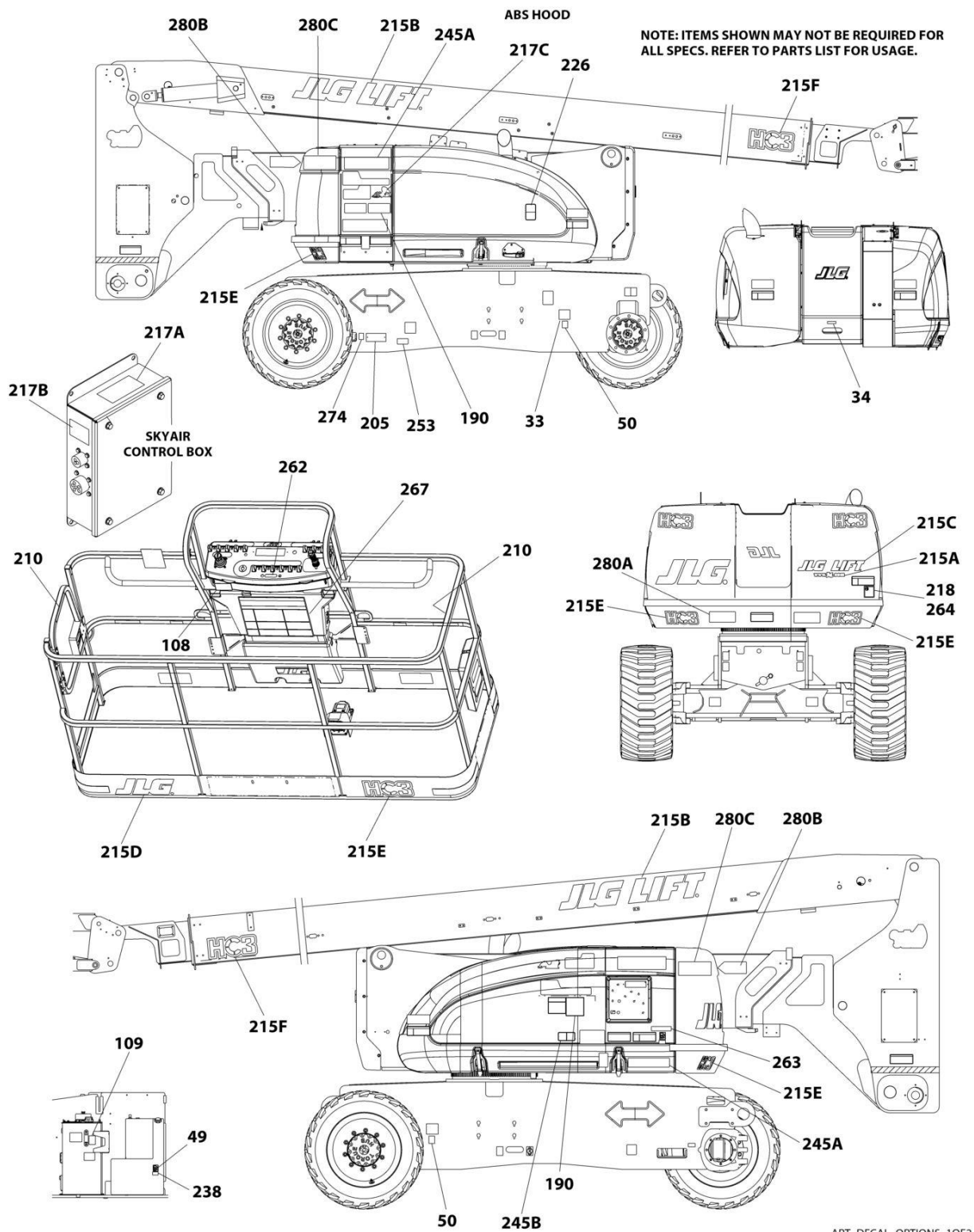
SECTION 9 - DECALS

FIGURE 9-9. DECAL INSTALLATION (LATIN AMERICAN SPECS)

| ITEM | PART NUMBER | QTY | DESCRIPTION | REV |
|------|-------------|-----------|---|-----|
| | 1001260965 | Ref | DECAL INSTALLATION | B |
| | 1001260969 | Ref | REFERENCE CHART | B |
| 2 | 1701499 | 2 | Decal - No Lifting | |
| 5 | 1701509 | 1 | Decal - Manual | |
| 7 | 1703811 | 4 | Decal - Lifting Lug | |
| 8 | 1703814 | 6 | Decal - Tie Down | |
| 9 | 1704277 | 3 | Decal - Lanyard Attach Graphic | |
| 10 | 1704412 | 1 | Decal - Hydraulic Oil Chart | |
| 18 | 1703943 | 5 | Decal - Warning Crushing | |
| 20 | 1704001 | 2 | Decal - No Hands | |
| 21 | 1703923 | 1 | Decal - Warning/Danger | |
| 22 | 1705917 | 1 | Decal - Warning Inspection | |
| 23 | 1703947 | 6 | Decal - Warning Crushing | |
| 24 | 1703935 | 5 | Decal - Danger Electrocution | |
| 25 | 1703983 | 1 | Decal - Footswitch | |
| 29 | 1703482 | 4 | Decal - Maximum Tire Load | |
| 30 | See Note | NSS | Decal - Bar Code (Note: Not Available for Purchase) | |
| 31 | 1703773 | 2 | Decal - 800AJ | |
| 32 | 1701501 | 4 | Decal - Arrow | |
| 33 | 1001234431 | 1 | Decal - Warning Maximum Capacity | |
| 34 | 1001234432 | 1 | Decal - Warning Maximum Capacity | |
| 37 | 1705977 | 1 | Decal - Upright Level | |
| 38 | 1703959 | 2 | Decal - Quick Stick | |
| 43 | 3820001 | 2 | Rivet | |
| 52 | 4420051 | 23 ft /7m | Tape, Safety | |
| 60 | 1001224049 | 1 | Decal - Yearly Inspection | |
| 61 | 1001263941 | 1 | Decal - Lift Diagram | |
| 63 | 1001184618 | 1 | Decal - Stop | |

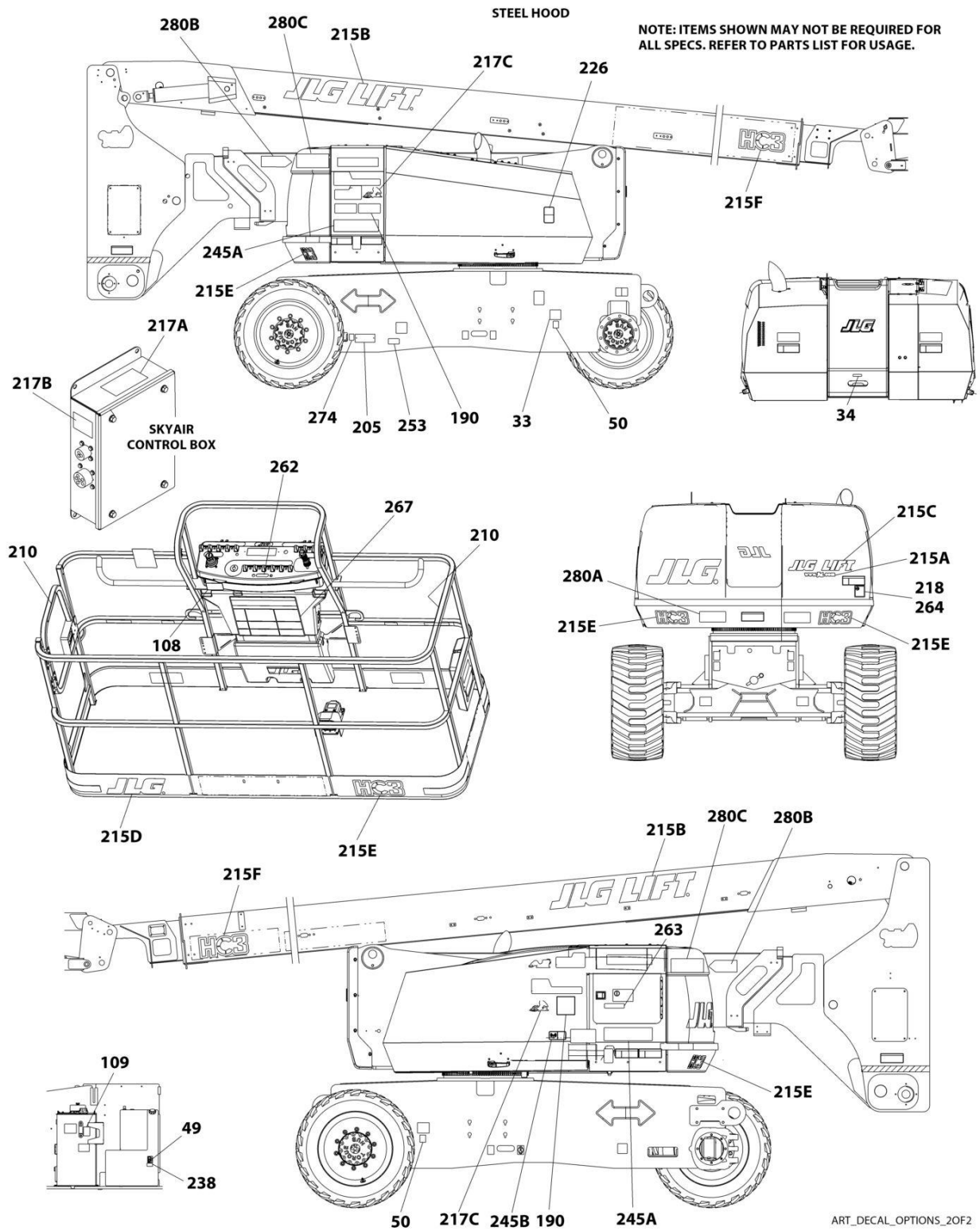
SECTION 9 - DECALS

FIGURE 9-10. DECAL INSTALLATION - OPTIONS



ART_DECAL_OPTIONS_10F2

SECTION 9 - DECALS



ART_DECAL_OPTIONS_20F2

SECTION 9 - DECALS

FIGURE 9-10. DECAL INSTALLATION - OPTIONS

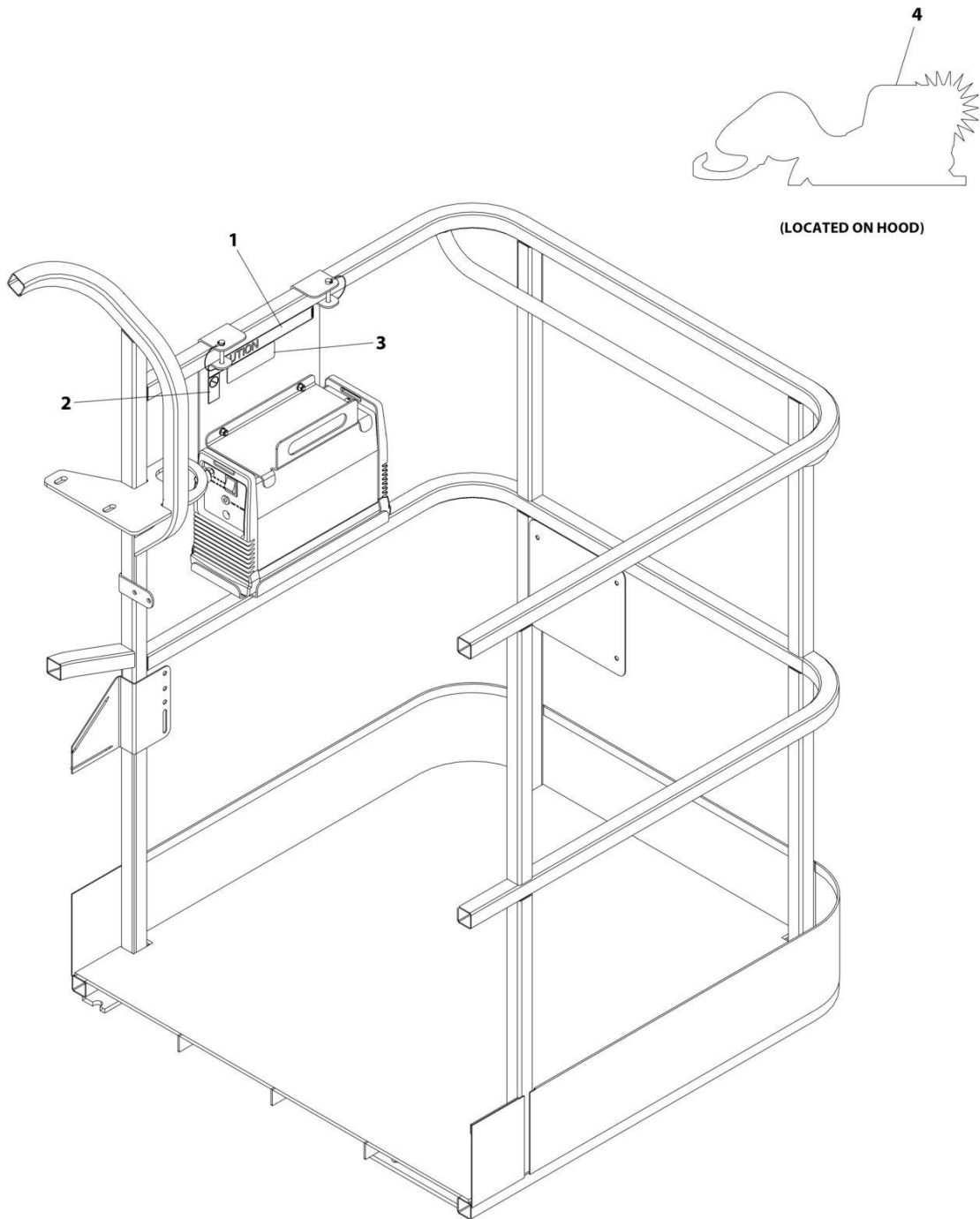
| ITEM | PART NUMBER | QTY | DESCRIPTION | REV |
|------|-------------|-----|--|-----|
| | | Ref | DECAL INSTALLATION - OPTIONS | |
| 33 | 1700818 | 1 | Decal - Fuel (LP Gas Machines) (English Language) (ANSI, CSA & Australian Specs) | |
| 33 | 1704271 | 1 | Decal - Fuel (LP Gas Machines) (English/French Languages) (CSA Specs) | |
| 33 | 1702720 | 1 | Decal - Fuel (LP Gas Machines) (English/Spansih Languages) (ANSI Export Specs) | |
| 34 | 3251242 | 1 | Nameplate - 240-50HZ (CE Specs) | |
| 49 | 1701505 | 1 | Decal - Fuel (Diesel) | |
| 49 | 1701542 | 1 | Decal - Fuel (Gas) | |
| 50 | 1701543 | 2 | Decal - LP Gas (LP GASS Machines) | |
| 108 | 1001231801 | 1 | Decal - Warning Proposition 65 (ANSI Specs) | |
| 109 | 1702788 | 1 | Decal - Biodegradeable Hydraulic Fluid (English Language) (ANSI, Australian, CE & CSA Specs) | |
| 109 | 1703479 | 1 | Decal - Biodegradeable Hydraulic Fluid (German Language) (CE Specs) | |
| 190 | | Ref | Decal Installation - SkyGlazier Options: | |
| 190 | 1001262102 | 1 | Decal Installation - SkyGlazier (ANSI/CSA Specs) | |
| 190 | 1001262105 | 1 | Decal Installation - SkyGlazier (Australian Specs) | |
| 190 | 1001262104 | 1 | Decal Installation - SkyGlazier (Brazil Specs) | |
| 190 | 1001262247 | 1 | Decal Installation - SkyGlazier (CE Specs - Danish Language) | |
| 190 | 1001262240 | 1 | Decal Installation - SkyGlazier (CE Specs - French Language) | |
| 190 | 1001262241 | 1 | Decal Installation - SkyGlazier (CE Specs - German Language) | |
| 190 | 1001262242 | 1 | Decal Installation - SkyGlazier (CE Specs - Italian Language) | |
| 190 | 1001262245 | 1 | Decal Installation - SkyGlazier (CE Specs - Portuguese Language) | |
| 190 | 1001262244 | 1 | Decal Installation - SkyGlazier (CE Specs - Spanish Language) | |
| 190 | 1001262246 | 1 | Decal Installation - SkyGlazier (CE Specs - Swedish Language) | |
| 190 | 1001262243 | 1 | Decal Installation - SkyGlazier (CE Specs - UK English Language) | |
| 190 | 1001262103 | 1 | Decal Installation - SkyGlazier (Latin American Specs) | |
| 205 | See Note | 1 | Nameplate - Manufacturers Serial Number (Note: Not Available for Purchase) | |
| 210 | 1702868 | 2 | Decal - No Hands (English Language) | |
| 210 | 1705968 | 2 | Decal - No Hands (English/Chinese Language) | |
| 210 | 1704000 | 2 | Decal - No Hands (English/French Language) | |
| 210 | 1705969 | 2 | Decal - No Hands (English/Korean Language) | |
| 210 | 1705967 | 2 | Decal - No Hands (English/Portuguese Language) | |
| 210 | 1704001 | 2 | Decal - No Hands (English/Spanish Language) | |
| 215 | 1001260957 | 1 | Decal - Logo Installation (All Specs Except CE Specs) | A |
| 215 | 1001263022 | 1 | Decal - Logo Installation (CE Specs) | A |
| 215A | 1704885 | 1 | Decal - Website | |
| 215B | 1702861 | 2 | Decal - JLG Lift | |
| 215C | 1702774 | 2 | Decal - JLG Lift | |
| 215D | 1702773 | 1 | Decal - JLG | |
| 215E | 1001244212 | 1 | Decal - HC3 | |
| 215F | 1001256906 | 1 | Decal - HC3 | |
| 215G | 1001159323 | 1 | Decal - JLG (CE Specs) (Not Shown) | |
| 217 | 0273687 | Ref | Decal - SkyAir (Machines with SkyAir Option) | |
| 217A | 1705836 | 1 | Decal - Hazardous Voltage | |
| 217B | 1705837 | 1 | Decal - Air Compressor | |

SECTION 9 - DECALS

| ITEM | PART NUMBER | QTY | DESCRIPTION | REV |
|------|-------------|-----|--|-----|
| 217C | 1705886 | 1 | Decal - SkyAir | |
| 218 | 3251813 | 1 | Decal - USA | |
| 226 | 1704972 | 1 | Decal - Warning Explosion/ Fire (English Language) (Diesel Machines) (ANSI Specs) | |
| 226 | 1706098 | 1 | Decal - Warning Explosion/Fire (English Language) (Diesel Machines) (Australian & CE Specs) | |
| 226 | 1706059 | 1 | Decal - Warning Explosion/Fire (English/Portuguese Language) (Diesel Machines) (Brazil Specs) | |
| 226 | 1706060 | 1 | Decal - Warning Explosion/Fire (English/Chinese Language) (Diesel Machines) (Chinese Specs) | |
| 226 | 1706064 | 1 | Decal - Warning Explosion/Fire (English Language) (Diesel Machines) (CSA Specs) | |
| 226 | 1706062 | 1 | Decal - Warning Explosion/Fire (English/Japanes Language) (Diesel Machines) (Japanese Specs) | |
| 226 | 1706061 | 1 | Decal - Warning Explosion/Fire (English/Korean Language) (Diesel Machines) (Korean Specs) | |
| 226 | 1706063 | 1 | Decal - Warning Explosion/Fire - (English/Spanish Language) (Diesel Machines) (Latin American Specs) | |
| 238 | 1001125387 | 1 | Decal - Ultra Low Sulfur Fuel (Diesel Machines) (ANSI & CSA Specs) | |
| 238 | 1001139654 | 1 | Decal - Ultra Low Sulfur Fuel (Diesel Machines) (CE Specs) | |
| 245 | 1001127094 | Ref | Decal Installation - ClearSky (Machiens with ClearSky Option) | |
| 245A | 1001116208 | 2 | Decal - ClearSky | |
| 245B | 1001120989 | 1 | Decal - Radio Frequency | |
| 253 | 1001143852 | 1 | Decal - Emission Compliance (Diesel Machines) (ANSI Export, Australian, CE & China Specs) | |
| 262 | 1001141300 | 1 | Decal - SkyGuard Override (Machines without Soft Touch Option) | |
| 262 | 1001141302 | 1 | Decal - SkyGuard Override (Machines with Soft Touch Option) | |
| 263 | 1001197408 | 1 | Decal - MSSO (CE Specs) | |
| 264 | 1705980 | 1 | Decal - Sound Power (106dB) (Machines with Deutz D2011 Engines) (Australian & CE Specs) | |
| | 1001191525 | 1 | Decal - Sound Power (108dB) (Machines with Deutz TD2.9L4 Stage V Engines (CE Specs) | |
| 264 | 1705368 | 1 | Decal - Sound Power (112dB) (Machines with Deutz TD2.9L4 Engines (CE Specs) | |
| 267 | 1001200124 | 1 | Decal - Quick Start Guide (Danish Language) | |
| 267 | 1001200121 | 1 | Decal - Quick Start Guide (Dutch Language) | |
| 267 | 1001180861 | 1 | Decal - Quick Start Guide (English Language) | |
| 267 | 1001200120 | 1 | Decal - Quick Start Guide (French Language) | |
| 267 | 1001200122 | 1 | Decal - Quick Start Guide (German Language) | |
| 267 | 1001200127 | 1 | Decal - Quick Start Guide (Norwegian Language) | |
| 267 | 1001200125 | 1 | Decal - Quick Start Guide (Swedish Language) | |
| 267 | 1001200126 | 1 | Decal - Quick Start Guide (Spanish Language) | |
| 274 | 1001214030 | Ref | Decal Installation - EAC (Russian/CIS Specs) | |
| 274 | 1001173703 | 1 | Decal - EAC | |
| 280 | 1001220864 | Ref | Decal Kit - Boom Transport Position | |
| 280A | 1001220512 | 2 | Decal - Lower Boom | |
| 280B | 1001220510 | 2 | Decal - Warning Arrow | |
| 280C | 1001220511 | 2 | Decal - Warning Stripe | |

SECTION 9 - DECALS

FIGURE 9-11. SKYCUTTER DECAL INSTALLATION



ART_0272599

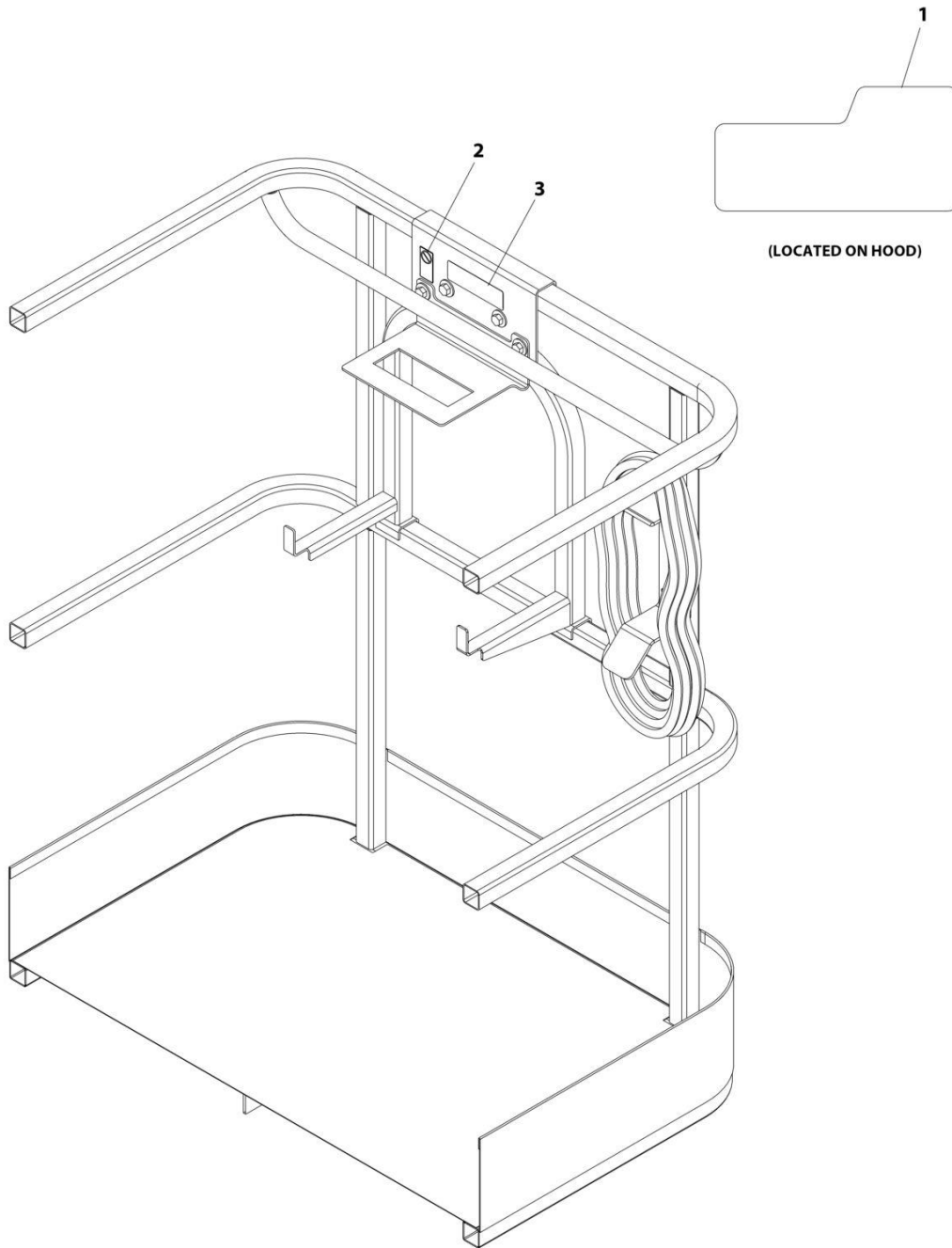
SECTION 9 - DECALS

FIGURE 9-11. SKYCUTTER DECAL INSTALLATION

| ITEM | PART NUMBER | QTY | DESCRIPTION | REV |
|------|-------------|-----|------------------------------|-----|
| | 0272599 | Ref | SKYCUTTER DECAL INSTALLATION | C |
| 1 | 1702868 | 1 | Decal - No Hands | |
| 2 | 1705305 | 1 | Decal - Weld Leads | |
| 3 | 1001252627 | 1 | Decal - Weight | |
| 4 | 1705490 | 2 | Decal - SkyCutter | |

SECTION 9 - DECALS

FIGURE 9-12. SKYWELDER DECAL INSTALLATION - 50HZ



ART_0272588

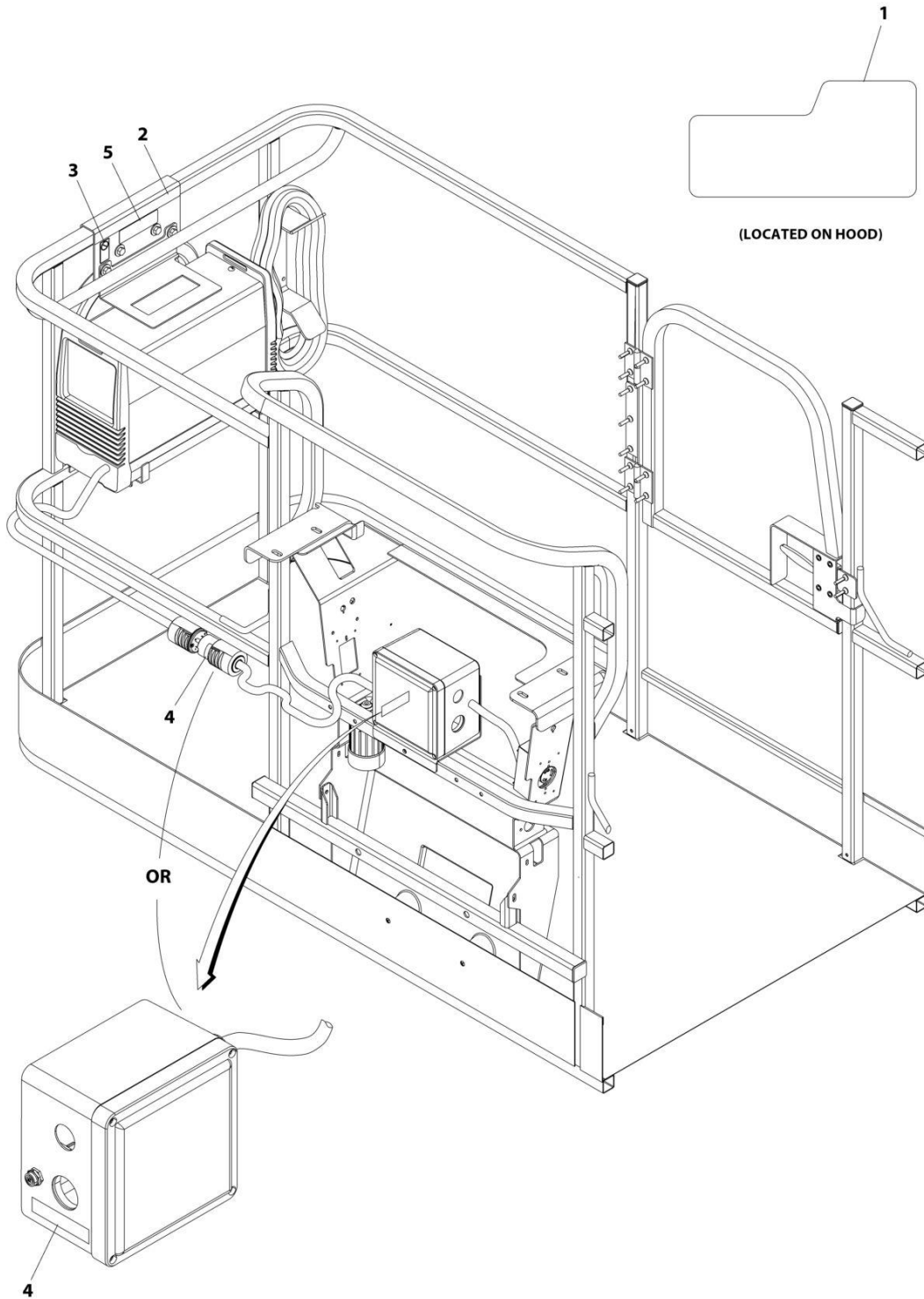
SECTION 9 - DECALS

FIGURE 9-12. SKYWELDER DECAL INSTALLATION - 50HZ

| ITEM | PART NUMBER | QTY | DESCRIPTION | REV |
|------|-------------|-----|-------------------------------------|-----|
| | 0272588 | Ref | SKYWELDER DECAL INSTALLATION - 50Hz | B |
| 1 | 1705355 | 2 | Decal - SkyWelder | |
| 2 | 1705305 | 1 | Decal - Weld Lead | |
| 3 | 1001228988 | 1 | Decal - Weight | |

SECTION 9 - DECALS

FIGURE 9-13. DECAL INSTALLATION - SKYWELDER (60HZ)



ART_0272448_C

SECTION 9 - DECALS

FIGURE 9-13. DECAL INSTALLATION - SKYWELDER (60HZ)

| ITEM | PART NUMBER | QTY | DESCRIPTION | REV |
|------|-------------|-----|-------------------------------------|-----|
| | 0272448 | Ref | SKYWELDER DECAL INSTALLATION - 60Hz | C |
| 1 | 1705355 | 2 | Decal - SkyWelder | |
| 2 | 1702868 | 1 | Decal - No Hands | |
| 3 | 1705305 | 1 | Decal - Weld Lead | |
| 4 | 1705375 | 1 | Decal - 240V - 3 Phase - 60Hz | |
| 5 | 1001228988 | 1 | Decal - Weight | |

SECTION 10 - RECOMMENDED SERVICE PARTS STOCK

SECTION 10 - RECOMMENDED SERVICE PARTS STOCK

SECTION 10 - RECOMMENDED SERVICE PARTS STOCK

FIGURE 10-1. MODEL 800AJ HC3 RECOMMENDED SERVICE PARTS STOCK

| ITEM | PART NUMBER | QTY | DESCRIPTION | REV |
|------|-------------|-----|--|-----|
| | Note | Ref | Note: The following list will service one machine (built to current production per date on the front cover) with emergency repair parts which can be installed in the field. Parts from the list should be replaced when inventory is depleted to keep service parts stock supplied. For further information, contact your JLG dealer or the JLG Industries Parts Department. | |
| | | Ref | STANDARD PARTS | |
| | 2120210 | 4 | Element Filter | |
| | 7012944 | 1 | Coil | |
| | 70004460 | 1 | Coil | |
| | 70006956 | 1 | Coil | |
| | 70004595 | 1 | Coil | |
| | 70004653 | 1 | Coil | |
| | 7018991 | 1 | Coil | |
| | 70004463 | 1 | Coil | |
| | 70002814 | 1 | Hydraulic Tank Service Kit | |
| | 4360469 | 1 | Switch, Key | |
| | 2860030 | 1 | Key, Replacement | |
| | 4360475 | 1 | Switch, Emergency Stop | |
| | 3740049 | 1 | Relay | |
| | 1001155045 | 1 | Switch, Toggle | |
| | 2400065 | 2 | Fuse - 30 Amp | |
| | 3740067 | 1 | Relay | |
| | 70002013 | 1 | Power Track Repair Section | |
| | 7020066 | 1 | Power Track Repair Section | |
| | 70002386 | 1 | Coil | |
| | 4360331 | 1 | Switch, Toggle | |
| | 4360387 | 1 | Switch, Push Button | |
| | 4360407 | 1 | Controller, Speed | |
| | 1001159256 | 1 | Switch, Toggle | |
| | 1001166539 | 1 | Controller (Lift and Swing) | |
| | 1001166538 | 1 | Controller (Drive and Steer) | |
| | 1001137673 | 1 | SkyGuard Switch Assembly | |
| | 8229242 | 2 | Fuse - 5Amp | |
| | 8229249 | 1 | Fuse - 3Amp | |
| | | Ref | VARIABLE PARTS | |
| | 4360517 | 1 | Switch, Proximity | |
| | 1001103667 | 1 | Module, Control - Ground | |
| | 3740080 | 1 | Relay (Deutz D2011 Engines) | |
| | 70004020 | 4 | Element, Air Cleaner (Deutz D2011 Engines) | |
| | 7016331 | 4 | Filter, Oil (Deutz D2011 Engines) | |
| | 7016328 | 4 | Filter, Fuel (Deutz D2011 Engines) | |
| | 7027795 | 1 | ECU (Deutz D2011 Engines) | |
| | 70023593 | 2 | Fuse 30Amp (Deutz TD2.9L4 Engines and Deutz TD2.9L4 (Stage V) Engines) | |
| | 70023592 | 2 | Fuse (Deutz TD2.9L4 Engines and Deutz TD2.9L4 (Stage V) Engines) | |
| | 91403102 | 4 | Element, Air Cleaner (Deutz TD2.9L4 Engines and Deutz TD2.9L4 (Stage V) Engines) | |
| | 1001117308 | 1 | Relay (Deutz TD2.9L4 Engines and Deutz TD2.9L4 (Stage V) Engines) | |

SECTION 10 - RECOMMENDED SERVICE PARTS STOCK

| ITEM | PART NUMBER | QTY | DESCRIPTION | REV |
|------|-------------|-----|---|-----|
| | | | Engines) | |
| | 1001138228 | 1 | Relay, Power Module (Deutz TD2.9L4 Engines and Deutz TD2.9L4 (Stage V) Engines) | |
| | 7016331 | 4 | Filter, Oil (Deutz TD2.9L4 Engines) | |
| | 1001225430 | 4 | Filter, Fuel (Deutz TD2.9L4 Engines) | |
| | 1001225432 | 4 | Filter, Fuel (Deutz TD2.9L4 Engines) (China Specs) | |
| | 70025210 | 1 | ECU (Deutz TD2.9L4 Engines) | |
| | 4360336 | 1 | Switch, Toggle (Ford Engines) | |
| | 70006155 | 4 | Filter, Fuel (Ford Engines) | |
| | 70006171 | 1 | Relay (Ford Engines) | |
| | 70006172 | 1 | Relay (Ford Engines) | |
| | 70006175 | 2 | Fuse 20Amp (Ford Engines) | |
| | 70006176 | 1 | ECU (Ford Engines) | |
| | 70006213 | 4 | Filter, Oil (Ford Engines) | |
| | 70005008 | 4 | Element, Filter - Primary (Ford Engines) | |
| | 70006460 | 4 | Element, Filter - Secondary (Ford Engines) | |
| | 1001202281 | 4 | Element, Fuel-Water Separator (Deutz D2011 Engines) | |
| | 70006405 | 1 | Element, Fuel-Water Separator (Deutz TD2.9L4 Engines) | |
| | 3740080 | 1 | Relay (Machines with 2500W Generator) | |
| | 4360336 | 1 | Switch, Toggle (Machiens with Generator) | |
| | 4360578 | 1 | Switch, Limit | |
| | 4360498 | 1 | Switch, Proximity | |
| | 4360499 | 1 | Switch, Proximity | |
| | 1001094400 | 1 | Sensor, Dual Axis | |
| | 2940074 | 1 | Latch, Gate (Platforms with Gate) | |
| | 1001106938 | 1 | Module, Control - Platform | |
| | 1001117174 | 1 | Footswitch | |
| | 4360328 | 1 | Switch, Toggle | |
| | 4360057 | 1 | Switch, Limit (Machines with Soft-Touch) | |
| | 1001181045 | 1 | Breaker, Circuit - 30mA/16Amp (Brazil & CE Specs) | |
| | 80983191 | 2 | Fuse - 10Amp (Deutz TD2.9L4 Engines and Deutz TD2.9L4 (Stage V) Engines) | |

SECTION 11 - SPECIAL OPTIONS

SECTION 11 - SPECIAL OPTIONS

FIGURE 11-1. SPECIAL OPTIONS

| ITEM | PART NUMBER | QTY | DESCRIPTION | REV |
|------|-------------|-----|---|-----|
| | | Ref | Note: This list is to accommodate machines ordered with special equipment. Options may not be applicable to all models. For more specific parts information contact JLG Parts Department. | |
| | | Ref | MISCELLANEOUS SPECIAL OPTIONS | |
| | 1001229762 | Ref | Air Intake Shut-off Valve (Deutz TD2.9L4 Engines) (Factory Installed) | |
| | 1001260970 | Ref | Airline to Platform Installation - 1/2in | |
| | 1001249695 | Ref | Analyzer and Cable Kit | |
| | 1001249941 | Ref | Battery Powered Analyzer Installation Kit | |
| | 1001260886 | Ref | Bellows Installation - Boom | |
| | 1001158259 | Ref | Bellows Installation - Chassis (Fixed Axle 2WS) | |
| | 2910887 | Ref | Boom Wear Pad Kit | |
| | 1001260858 | Ref | Boom Wipers Installation | |
| | 1001233047 | Ref | Breather Heater Kit (Deutz TD2.9L4 Engines) | |
| | | Ref | ClearSky Telematics Installation (Factory Installed) | |
| | 1001227448 | Ref | ClearSky Telematics Installation - Canbus Connection (All Specs Except China Specs) | |
| | 1001246473 | Ref | ClearSky Telematics Installation - Canbus Connection (Australian Specs) | |
| | 1001228949 | Ref | ClearSky Telematics Installation - Canbus Connection (ANSI Export & CE Specs) | |
| | 1001246474 | Ref | ClearSky Telematics Installation - Canbus Connection (China Specs) | |
| | 1001229107 | Ref | ClearSky Telematics Installation - 3 Wire Connection (ANSI & CSA Specs) | |
| | 1001233237 | Ref | ClearSky Telematics 3-Wire Connection (ANSI Export and CE Specs) | |
| | | Ref | ClearSky Telematics Kits (Dealer Installed) | |
| | 1001242409 | Ref | ClearSky Telematics Access Control Add-on Kit | |
| | 1001243183 | Ref | ClearSky Telematics Access Control Add-on Kit - Canbus (ANSI & CSA Specs) | |
| | 1001243184 | Ref | ClearSky Telematics Access Control Add-on Kit - Canbus (ANSI Export & CE Specs) | |
| | 1001246142 | Ref | ClearSky Telematics Add-On Kit (Australian Specs) | |
| | 1001119939 | Ref | ClearSky (Telematic) Kit (Dealer Installed) (ANSI Spec) | |
| | 1001119947 | Ref | ClearSky (Telematic) Kit (Dealer Installed) (CSA Spec) | |
| | 1001178208 | Ref | Cold Weather Package Installation - Deutz D2011 Engines | |
| | 1001178207 | Ref | Cold Weather Package Installation - Deutz TD2.9L4 Engines | |
| | 1001255807 | Ref | Cold Weather Package Installation - Deutz TD2.9L4 (Stage V) Engines | |
| | 1001219840 | Ref | Cold Weather Package Installation - Ford Engines | |
| | 0274883 | Ref | Cold Weather Transformer Installation (ANSI Export, Australian, China and Japanese Specs Only) | |
| | 1001115918 | Ref | Cribbing Installation | |
| | 1001264254 | Ref | Cylinder Kit - Level/Upright (Includes 2 Cylinders - Tower Lift & Upright Level) | |
| | 1001264148 | Ref | Cylinder Kit - Lift (Includes 1 Cylinder and Service info) | |
| | | Ref | Decals Kits: | |
| | 1001108721 | Ref | Decal Kit - Platform | |
| | 1001119563 | Ref | Decal Kit - Platform Console | |
| | 2902396 | Ref | Drive/Steer Cutout Kit | |

SECTION 11 - SPECIAL OPTIONS

| ITEM | PART NUMBER | QTY | DESCRIPTION | REV |
|------|-------------|-----|---|-----|
| | 1001148902 | Ref | Electrical Connector Kits - Amp | |
| | 1001148903 | Ref | Electrical Connector Kits - Deutsch DT | |
| | 1001148904 | Ref | Electrical Connector Kits - Deutsch HD | |
| | 1001148905 | Ref | Electrical Connector Kits - Packard | |
| | 1001148906 | Ref | Electrical Connector Kits - Various | |
| | 1001218022 | Ref | Engine Block Heater Installation - Ford Engines | |
| | 1001108962 | Ref | Exhaust Rain Cap Installation (Australian and CE Specs) | |
| | 1001237883 | Ref | Fall Arrest (Bolt-On) Add-On Kit (6 Ft/1.82m Platform) (ANSI, ANSI Export, China, CSA & Japanese Specs) | |
| | 1001237882 | Ref | Fall Arrest (Bolt-On) Add-On Kit (8 Ft/2.4m Platform) (ANSI, ANSI Export, China, CSA & Japanese Specs) | |
| | | Ref | Fan Cover/Grille Options | |
| | 1001182599 | Ref | Fan Cover Installation (Deutz D2011 Engines) | |
| | 1001177694 | Ref | Fan Grille Installation (Deutz TD2.9L4 Engines and Deutz TD2.9L4 (Stage V) Engines (Modine Radiator) | |
| | | Ref | Filter Kits: | |
| | | Ref | Combined Filter Kit Options (Hydraulic/Air and Fuel/Engine Oil) | |
| | 1001241774 | Ref | Deutz D2011 Engine Machines | |
| | 1001195533 | Ref | Deutz TD2.9L4 Engine Machines | |
| | 1001241776 | Ref | Ford Engine Machines | |
| | 1001139099 | Ref | Fire Extinguisher Installation (20lb) | |
| | 1001117294 | Ref | Footswitch Shield (Note: Move Decal to Shield) | |
| | 1001202749 | Ref | Fuel Cap Cover Installation (Black) (Note: Lock p/n 1001102157 must be Purchased Separately) | |
| | 1001191395 | Ref | Fuel Cap Cover Installation (Green) (Diesel Machines) (Note: Lock p/n 1001102157 must be Purchased Separately) | |
| | 1001094475 | Ref | Generator Hourmeter Installation | |
| | 1001241413 | Ref | Hostile Environment - 2WD Add-on Kit | |
| | 1001241415 | Ref | Hostile Environment - 4WD Add-on Kit | |
| | 1001209632 | Ref | Hose Kit - Platform Valve | |
| | 1001148971 | Ref | Lanyard (Bolt-On) Kit Installation | |
| | | Ref | Light Options: | |
| | 0271768 | Ref | Headlights & Taillights Installation (ABS Hoods) | |
| | 1001164786 | Ref | Headlights & Taillights Installation (Steel Hoods) | |
| | 0273485 | Ref | Platform Worklights Installation | |
| | 1001257561 | Ref | Portable Worklights Installation | |
| | 1001152965 | Ref | Strobe Light Installation - Platform Mounted (Amber) | |
| | 1001154231 | Ref | Strobe Light Installation - Platform & Ground Mounted (Amber) | |
| | 1001236951 | Ref | Low Temperature Cutout Installation (Russian Specs) | |
| | | Ref | Oil Cooler Options: | |
| | 1001156172 | Ref | Oil Cooler Installation - Deutz D2011 Engine Machines | |
| | 1001184569 | Ref | Oil Cooler Installation - Deutz TD2.9L4 Engine and Deutz TD2.9L4 (Stage V) Engine Machines | |
| | 1001219633 | Ref | Oil Cooler Installation - Ford Engine Machines | |
| | 1001200700 | Ref | Oil Cooler Replacement Kit (RCP to YMER) | |
| | 1001195304 | Ref | Platform Console Cover Installation (Factory Installed) | |
| | 1001110974 | Ref | Platform Console Enclosure Cover Installation - Steel | |
| | | Ref | Platform Mesh to Mid Rail Installation Options: | |
| | 1001266098 | Ref | Platform Mesh to Mid Rail Installation - 3ft x 8ft Platforms (Vinyl) (ANSI, ANSI Export, Australian, China and CSA Specs) | |
| | 1001138773 | Ref | Platform Mesh to Mid Rail Installation - 3ft x 8ft Platforms (Steel) (ANSI, ANSI Export, Australian, China and CSA Specs) | |
| | | Ref | Platform Mesh to Top Rail Installation Options: | |

SECTION 11 - SPECIAL OPTIONS

| ITEM | PART NUMBER | QTY | DESCRIPTION | REV |
|------|-------------|-----|---|-----|
| | 0273147 | Ref | Platform Mesh to Top Rail Installation - 2.5ft x 4ft Platforms (Steel) (ANSI, ANSI Export, China and CSA Specs) | |
| | 1001266807 | Ref | Platform Mesh to Top Rail Installation - 2.5ft x 4ft Platforms (Vinyl) (ANSI, ANSI Export, China and CSA Specs) | |
| | 0273149 | Ref | Platform Mesh to Top Rail Installation - 3ft x 6ft Platforms (Steel) (ANSI, ANSI Export, China and CSA Specs) | |
| | 1001266689 | Ref | Platform Mesh to Top Rail Installation - 3ft x 6ft Platforms (Vinyl) (ANSI, ANSI Export, China and CSA Specs) | |
| | 0273145 | Ref | Platform Mesh to Top Rail Installation - 3ft x 8ft Platforms (Steel) (ANSI, ANSI Export, China and CSA Specs) | |
| | 1001266056 | Ref | Platform Mesh to Top Rail Installation - 3ft x 8ft Platforms (Vinyl) (ANSI, ANSI Export, China and CSA Specs) | |
| | | Ref | Platform Mesh to Top Rail Add-on Kits: | |
| | 1001214552 | Ref | 30in x 4ft (76cm x 1.22m) with Gate | |
| | 1001214561 | Ref | 36in x 6ft (91.5cm x 1.83m) with Gate | |
| | 1001214562 | Ref | 36in x 8ft (91.5cm x 2.44m) with Gate | |
| | 0272733 | Ref | Platform, Top Rail Extension Installation - 3ft x 6ft Platforms | |
| | 0272725 | Ref | Platform, Top Rail Extension Installation - 3ft x 8ft Platforms | |
| | 1580013 | Ref | Platform Storage Tray | |
| | 1001209059 | Ref | Platform Work Surface Installation | |
| | 1001162546 | Ref | Pump Coupling Replacement Kit | |
| | 1001199488 | Ref | Radiator Replacement Kit (RCP to Modine Radiator) | |
| | 1001190888 | Ref | Service Kits | N |
| | 1001241547 | Ref | SkyEye Housing Kit (Left Side) | |
| | 1001241548 | Ref | SkyEye Housing Kit (Right Side) | |
| | 1001247073 | Ref | SkyEye Retrofit Kit | |
| | 1001206477 | Ref | SkyGuard Complete Add-On Kit (Blue Beacon) (UGM Machines) (Note: Requires 7500W SkyPower Generator) | |
| | 1001210026 | Ref | SkyGuard Complete Add-On Kit (Red Beacon) (UGM Machines) (Note: Requires 7500W SkyPower Generator) | |
| | 1001137672 | Ref | SkyGuard Platform Sensor Kit (UGM Machines) | |
| | 1001137440 | 1 | SkyGuard Sensor Harness | |
| | 1001186431 | 2 | Relay | |
| | 1001206311 | Ref | SkyGuard Strobe Light Kit - Hood Mounted (Blue Beacon) | |
| | 1001210025 | Ref | SkyGuard Strobe Light Kit - Hood Mounted (Red Beacon) | |
| | 1001250595 | Ref | SkyGuard 6-Pin Retrofit Installation Kit | |
| | 1001249052 | Ref | SkyGuard Retrofit Kit (Dealer Installed) | |
| | 1001262016 | Ref | SkyLine Add-on (Dealer Installed) | |
| | 1001252033 | Ref | SkySense/Enhanced Detection System (EDS) Level 1 (2-Bar) Add-on Kit (Dealer Installed) | |
| | 1001252034 | Ref | SkySense/Enhanced Detection System (EDS) Level 2 (3-Bar) Add-on Kit (Dealer Installed) | |
| | 1001253618 | Ref | SkySense/Enhanced Detection System (EDS) Level 1 (2-Bar) Module Kit (Dealer Installed) | |
| | 1001253619 | Ref | SkySense/Enhanced Detection System (EDS) Level 2 (3-Bar) Module Kit (Dealer Installed) | |
| | 1001250465 | Ref | SkySense/Enhanced Detection System (EDS) Level 1 (2-Bar) Installation Kit (Factory Installed) | |
| | 1001250466 | Ref | SkySense/Enhanced Detection System (EDS) Level 2 (3-Bar) Installation Kit (Factory Installed) | |
| | 1001157013 | Ref | Softtouch Counterweight Installation (Required with Soft Touch Option) | |
| | | Ref | Tools for Service | |
| | 1600244 | 1 | Analyzer, Machine System | |
| | 7002840 | 1 | Antirotation Pin Removal Tool | |

SECTION 11 - SPECIAL OPTIONS

| ITEM | PART NUMBER | QTY | DESCRIPTION | REV |
|------|-------------|-----|--|-----|
| | 8896941 | 1 | Wire Stripper | |
| | 7002821 | 1 | Wire Crimper (To install wire ends to wires) | |
| | 7002823 | 1 | Pin/Socket Extractor - Universal (To Remove Pins/Sockets from Connectors) | |
| | 4460467 | 1 | Extractor - 16-18 Gauge (For Removal of Pin/Sockets from Deutsch Connectors) | |
| | 4460510 | 1 | Extractor - 12-14 Gauge (For Removal of Pin/Sockets from Deutsch Connectors) | |
| | 7002822 | 1 | Screwdriver, Potentiometer (To Adjust Drive Controllers) | |
| | 7016654 | 1 | Screwdriver, Magnetic | |
| | 7004275 | 1 | Seal Installation Tool - 1in | |
| | 7004276 | 1 | Seal Installation Tool - 1-1/2in | |
| | 7002826 | 1 | Seal Installation Tool - 2in | |
| | 7016655 | 1 | Wire Rope Sheave Gauge | |
| | 7016652 | 1 | Huck Bolt Fastener (For Small Huck Bolts Only) | |
| | 7000017 | 1 | ADE Software CD | |
| | 1001137005 | 1 | Software Cable Kit | |
| | 70005663 | 1 | Tool, Port Plate for Pump p/n 1001142522 | |
| | 1001258953 | Ref | Tower Stow Indicator Add-on Kit (Dealer Installed) | |
| | 2915094 | Ref | Turntable Bearing Kit | |
| | 1001262959 | Ref | Voltage Regulator Relocation Kit | |

PART NUMBER INDEX

SECTION 11 - SPECIAL OPTIONS

| | | | |
|--|---|---|---|
| 0100009.....79, 83, 87, 91, 95, 429 | 0257728479 | 0641404.....79, 83, 87, 91, 95, 331, 333, 337, 341, 345, 349, 353, 357, 361, 371, 429, 449, 451 | 216, 222, 228, 234, 307, 371, 373, 375, 393 |
| 0100011.....15, 17, 19, 21, 23, 37, 39, 41, 47, 59, 63, 65, 67, 69, 73, 75, 79, 83, 87, 91, 95, 101, 113, 117, 121, 122, 126, 127, 130, 131, 134, 135, 143, 145, 151, 153, 157, 159, 162, 166, 173, 177, 181, 185, 189, 191, 193, 195, 198, 204, 210, 216, 222, 228, 234, 247, 251, 256, 260, 263, 265, 268, 274, 279, 281, 283, 309, 311, 321, 323, 327, 331, 333, 337, 341, 345, 349, 353, 357, 361, 365, 371, 373, 375, 377, 379, 383, 385, 387, 389, 393, 397, 401, 407, 409, 411, 413, 419, 421, 423, 447, 449, 451, 460, 465, 467, 471, 485, 487, 489, 491, 599, 605, 607, 609, 611 | 0258671455 | 0641405.....101, 143, 145, 365, 449, 451 | 0641609.... 113, 117, 121, 126, 130, 134, 145, 162, 166, 198, 204, 210, 216, 222, 228, 234, 309, 311, 317, 373, 375 |
| 0100019 53, 59, 143, 145, 323, 333, 337, 341, 345, 349, 353, 358, 361, 365 | 027109029 | 0641406.....103, 105, 113, 117, 121, 137, 139, 147, 173, 177, 181, 185, 189, 191, 193, 195, 198, 204, 210, 216, 222, 228, 234, 256, 260, 313, 315, 333, 337, 427, 453, 455, 599, 619, 621 | 0641610.... 109, 111, 147, 151, 153, 162, 166, 173, 177, 181, 185, 222, 247, 249, 251, 256, 260, 305, 321, 331, 375, 427 |
| 0100020.....35, 65, 67, 69, 143, 145, 148, 151, 153, 173, 177, 181, 185, 198, 199, 204, 205, 210, 211, 216, 217, 222, 224, 228, 234, 256, 260, 268, 274, 342, 358, 435, 457, 460, 573, 575, 577, 579, 581, 583, 585, 587, 589, 591, 593 | 027109129 | 0641407.....79, 83, 87, 91, 95, 103, 157, 159, 162, 166, 263, 265, 313 | 0641611 63, 173, 177, 181, 185, 371 |
| 0100035.....249, 429 | 0271340443 | 0641408.....126, 130, 134, 257, 261, 393, 427 | 0641612.... 198, 204, 210, 216, 222, 228, 234, 256, 260, 373, 605, 607, 609, 611 |
| 0100038..... 375 | 0271668751 | 0641409.....143, 151, 154 | 0641614 47, 65, 67, 69 |
| 0100048.....79, 83, 87, 91, 95, 101, 103, 105, 256, 260, 327, 337, 345, 353, 361, 393, 429 | 0272254467 | 0641410.....37, 143, 145, 151, 153, 162, 166 | 0641615375 |
| 0100062.....69, 162, 166, 198, 204, 210, 216, 222, 228, 234, 270, 276, 350, 358 | 0272259563 | 0641412.....173, 177, 181, 185 | 0641616 147, 333, 337, 342, 345, 354, 362, 375 |
| 0100079.....305, 345, 361 | 0272260565 | 0641414.....47, 429, 447, 485, 487, 489, 491 | 064161735 |
| 0100081.....126, 130, 134, 385, 475, 477 | 0272418477 | 0641416.....573, 575, 577, 579, 581, 583, 585, 587, 589, 591, 593 | 0641618350, 358 |
| 0140011..... 429 | 0272427489 | 0641418.....47, 389, 397, 401, 407, 409, 411, 413, 419, 421, 423 | 0641622387 |
| 0140044..... 101 | 0272433571 | 0641420.....256, 260 | 0641624385, 387 |
| 0181949..... 35 | 0272435 358, 362, 366 | 0641506.....79, 83, 87, 91, 95, 114, 118, 121, 147 | 0641648385 |
| 0200048.....485, 487, 489, 491 | 0272448743 | 0641507.....389 | 0641708 198, 204, 210, 216, 222, 228, 234 |
| 0200742.....321, 331 | 0272521465 | 0641508...39, 41, 69, 113, 117, 121, 126, 130, 134, 151, 153, 173, 178, 181, 185, 256, 260, 321, 323, 327, 331, 393 | 0641772 321, 323, 327, 331 |
| 0232121.....39, 41, 43 | 0272588741 | 0641510.....162, 166 | 0641806224, 375 |
| 0256202..... 569 | 0272589350, 354 | 0641512.....162, 166 | 0641808.... 151, 153, 173, 177, 181, 185, 189, 191, 193, 195, 256, 260, 263, 265, 333, 337, 341, 345, 349, 353, 357, 361 |
| | 0272599739 | 0641514.....479, 481, 483 | 0641810 19, 21, 143, 145, 371 |
| | 0272725752 | 0641516.....341, 345, 349, 353, 357, 361, 365 | 0641812 63, 157, 159, 189, 191, 193, 195, 263, 265, 323 |
| | 0272733752 | 0641518.....198, 204, 210, 216, 222, 228, 234 | 0641818 69, 311, 317, 319 |
| | 0273145752 | 0641560.....23 | 0641820 63, 162, 166, 309 |
| | 0273147752 | 0641604.....371, 393 | 0641840371 |
| | 0273149752 | 0641605.....198, 204, 210, 216, 222, 228, 234, 387 | 0642010 151, 153, 256, 260 |
| | 0273353460 | 0641606 37, 47, 114, 118, 122, 145, 162, 166, 371, 373, 385, 387, 460, 465, 467, 471 | 0642012 173, 177, 181, 185, 475, 477 |
| | 0273485751 | 0641607.....19, 21, 65, 67, 69, 126, 130, 134, 256, 260, 323, 373, 375, 385 | 064203843 |
| | 0273687736 | 0641608.....113, 114, 117, 118, 121, 122, 127, 131, 134, 137, 139, 141, 198, 204, 210, | 0642212 .15, 17, 475, 477 |
| | 0273706491 | | 0642214371 |
| | 0273824485 | | 0642620371 |
| | 0274031143 | | 065140647 |
| | 0274661483 | | 0681608 15, 17, 151, 153, 173, 177, 181, 185, 200, 206, 212, 218, 230, 236, 383 |
| | 0274883750 | | 0681620 493, 495, 497, 499, 501 |
| | 0275216573, 673 | | 0681814415, 425 |
| | 0275217577, 675 | | |
| | 0275452581, 677 | | |
| | 0275453585, 679 | | |
| | 0275454589, 681 | | |
| | 036040643 | | |
| | 0362770 113, 117, 121 | | |
| | 0400075 73, 75, 181 | | |
| | 0440237377, 379 | | |
| | 044024459 | | |
| | 0480100 479, 481, 483 | | |
| | 0480121321, 331 | | |
| | 0480126333, 349 | | |
| | 0480129341, 358 | | |
| | 0561185375 | | |
| | 0561295373 | | |
| | 0630407 198, 204, 210, 216, 222, 228, 234 | | |
| | 0630427393 | | |
| | 0630462 485, 487, 489, 491 | | |
| | 0630467389 | | |
| | 0630485 126, 130, 134 | | |
| | 0630518 99, 433, 457, 460, 465, 467, 471 | | |
| | 0630534513 | | |
| | 0630535527 | | |
| | 0630548 79, 83, 87, 91, 95 | | |
| | 0630568430 | | |
| | 0630593385 | | |

SECTION 11 - SPECIAL OPTIONS

| | | | |
|---|--|---|--|
| 0681820 198, 204, 210, 216, 222, 228, 234 | 0760817 281 | 0940094.....485, 487, 489, 491 | 1001100342..... 675 |
| 0681822 23, 200, 206, 212, 218, 222, 228, 234, 415, 425 | 0761008 174, 178, 185, 256, 260 | 0940102..... 475, 477 | 1001100345..... 677 |
| 0682016 23 | 0761012 377, 379 | 0940103..... 489 | 1001100346..... 681 |
| 0682023 59 | 0761014 268, 274, 319, 383 | 0940133..... 491 | 1001100347 679 |
| 0682032 59 | 0761015 200, 206, 212, 218, 222, 228, 234, 268, 274, 377, 379 | 0940134..... 485 | 1001100825.....263, 265, 301 |
| 0682216 53 | 0761016 268, 274, 327 | 0940177 487 | 1001101191.....573, 575, 577, 579, 581, 583, 585, 587, 589, 591, 593, 623, 625, 627 |
| 0682236 15, 17 | 0761018 365 | 0961845.....397, 401, 407, 409, 411, 413, 419, 421, 423 | 1001101196.....573, 575, 577, 579 |
| 0682424 493, 495, 497, 499, 501 | 0761208 222 | 0961893..... 513 | 1001101197581, 583, 585, 587, 589, 591, 593 |
| 0700408 573, 575, 577, 579, 581, 583, 585, 587, 589, 591, 593 | 0761210 198, 204, 210, 216, 222, 228, 234 | 0961897..... 527 | 1001101421..... 477 |
| 0700615 109, 111 | 0761212 371 | 0961947 381 | 1001101422..... 477 |
| 0700618 127, 131, 135 | 0761216 383 | 0961986.....162, 166, 198, 204, 210, 216, 222, 228, 234, 268, 274 | 1001101422..... 477 |
| 0700624 377, 379 | 0771014 268, 274 | 0962051..... 317, 319 | 1001101600.....151, 153 |
| 0700808 162, 166 | 0771212 173, 177, 181, 185, 198, 204, 210, 216, 228, 234 | 0962102 15, 17, 373, 375, 511, 517, 519 | 1001101623..... 114 |
| 0700810 268, 274 | 0771414 162, 166, 198, 204, 210, 216, 222, 228, 234 | 0962122..... 375 | 1001101673..... 114 |
| 0700812 268, 274 | 0771415 200, 206, 212, 218, 222, 228, 234, 333, 342, 350, 358 | 0962152..... 21, 523 | 1001102290..... 629 |
| 0700814 200, 206, 212, 218, 222, 228, 268, 274 | 0801132 371, 375 | 0962181 21 | 1001102291..... 629 |
| 0700816 281 | 0801496 375 | 0962270..... 415, 425 | 1001102304..... 629 |
| 0700818 281 | 0801594 375 | 0962270..... 415, 425 | 1001103308.... 79, 83, 87, 91, 95 |
| 0701014 281 | 0811608 65, 67, 69 | 0962336..... 513, 515 | 1001103667.... 79, 83, 87, 91, 95, 746 |
| 0701020 377, 379 | 0811610 126, 130, 134 | 0962348..... 21 | 1001103810..... 19, 21 |
| 0701022 230, 236 | 0811612 73, 75 | 0962449..... 331 | 1001104519..... 691 |
| 0701025 228, 234 | 0811812 113, 117, 121, 126, 130, 134 | 0962520....333, 337, 341, 345, 350, 353, 358, 361, 365 | 1001106450..... 481 |
| 0701026 283 | 0860038 342, 345, 353, 357, 361, 365, 563, 565 | 1001001939 162, 166 | 1001106736.... 79, 83, 87, 91, 95 |
| 0710827 281 | 0860520 455 | 1001091460 25 | 1001106938.....429, 747 |
| 0711014 270, 276 | 0861538 358, 361, 365 | 1001091461 25 | 1001106957.....541, 547 |
| 0711020 268, 274 | 0861572 350, 353 | 1001091969 573 | 1001106974..... 63 |
| 0711215 222 | 0861642 143, 145 | 1001091970 577 | 1001107469..... 481 |
| 0711216 281 | 0861731 583, 587, 591, 593, 677, 679, 681 | 1001091973 581 | 1001107497..... 481 |
| 0711223 270, 276 | 0861781 575, 579, 673, 675 | 1001091974 585 | 1001107529..... 63 |
| 0711414 309, 311 | 0861880 623, 627 | 1001091975 589 | 1001108256..... 487 |
| 0720804 35 | 0902143 113, 117, 121 | 1001093382 ...73, 75, 181 | 1001108256..... 487 |
| 0721005 485, 487, 489, 491 | 0902161 113, 117, 121 | 1001094400 393, 747 | 1001108721..... 750 |
| 0721006 113, 117, 121, 247, 249, 251, 321, 323, 331, 429 | 0902219 113, 117, 121 | 1001094475 751 | 1001108962..... 751 |
| 0721008 114, 118, 122 | 0902223 113, 117, 121 | 1001094595 157, 159, 189, 191, 193, 195, 263, 265, 293 | 1001109503..... 84 |
| 0741605 198, 204, 210, 216, 222, 228, 234 | 0902412 113, 117, 121 | 1001096141 700 | 1001109654.....619, 621, 623 |
| 0741606 393 | 0902426 113, 117, 121 | 1001096736 393 | 1001109690..... 558 |
| 0741607 333, 337, 342, 345, 353, 361, 365 | 0902491 113, 117, 121 | 1001097051 605, 607, 609, 611, 687 | 1001110166.....126, 130, 134 |
| 0741609 21 | 0902888 341, 345, 349, 353, 357, 361, 365 | 1001097082 605, 607, 609, 611 | 1001110425 47, 145, 151, 154, 173, 177, 181, 185 |
| 0760605 198, 204, 210, 216, 222, 228, 234, 279 | 0903088 143, 145 | 1001097150 623 | 1001110434..... 429 |
| 0760606 366 | 0903242 63 | 1001097244 503 | 1001110872.....595, 597 |
| 0760608 268, 274 | 0903308 113 | 1001098012 457, 460, 463 | 1001110873.....342, 346, 357, 361, 366, 563 |
| 0760610 268, 274, 281, 327, 365 | 0903697 619 | 1001098122 435, 671 | 1001110974..... 751 |
| 0760612 268, 274 | 0940049 113, 117, 121, 126, 130, 134 | 1001098149 457 | 1001111514..... 69 |
| 0760615 281 | 0940070 162, 166, 198, 204, 210, 216, 222, 228, 234, 270, 276 | 1001098167 507 | 1001112551..... 704 |
| 0760807 279 | 0940071 113, 117, 121 | 1001098828 383 | 1001112588..... 321 |
| 0760810 198, 204, 210, 216, 222, 228, 234, 256, 260, 268, 274, 383 | 0940088 114, 118, 121 | 1001099121 114 | 1001112589.....321, 331 |
| 0760812 268, 274, 603 | 0940092 485, 487, 489, 491 | 1001099137 113 | 1001112612.....601, 667 |
| 0760814 228, 234, 268, 274 | | 1001099138 113, 114 | 1001112796..... 601 |
| 0760815 228, 234, 268, 274 | | 1001099366 475, 477 | 1001113047126, 130, 134 |
| | | 1001099367 475, 477 | 1001113961..... 667 |
| | | 1001099837 385 | 1001115387..... 357 |
| | | 1001099869 331 | 1001115389..... 349 |
| | | 1001100234 331 | 1001115405..... 321 |
| | | 1001100321 331 | 1001115409..... 331 |
| | | 1001100341 673 | 1001115918..... 750 |

SECTION 11 - SPECIAL OPTIONS

| | | | |
|----------------------------|-----------------------------|----------------------------|----------------------------|
| 1001116208 737 | 1001125127 611 | 1001138248 199, 205, | 1001142501 173, 177, |
| 1001116290 127, 131, | 1001125387 737 | 211, 217, 223, 229, | 181, 247, 249, 251 |
| 135 | 1001125492 53 | 235, 269, 275 | 1001142623 199, 211, |
| 1001116456 137 | 1001126009 689 | 1001138489 199, 205, | 224, 229 |
| 1001116457 141 | 1001126351 633, 638 | 212, 218, 223, 230, 236 | 1001142643 337, 346, |
| 1001116692 617 | 1001126352 633 | 1001138491 173, 177, | 354, 362 |
| 1001116693 631, 641 | 1001126356 633 | 181, 185, 643 | 1001142645 337, 354 |
| 1001116710 643 | 1001126357 633 | 1001138494 401, 407, | 1001142646 346, 362 |
| 1001116727 633, 651, | 1001126362 634, 637 | 409, 411, 413, 419, | 1001142683 109, 111 |
| 653 | 1001126363 634, 637 | 421, 423 | 1001142722 109, 111 |
| 1001116728 633 | 1001126364 634, 637 | 1001138514 401, 407, | 1001142736 109, 111, |
| 1001116733 651 | 1001126365 634 | 409, 413, 419, 423 | 601 |
| 1001116734 651 | 1001126384 633 | 1001138557 199, 205, | 1001142938 633, 637 |
| 1001116748 605, 607, | 1001126391 634, 637 | 211, 217, 223, 229, 235 | 1001142940 634, 637 |
| 609, 611 | 1001126392 634, 637 | 1001138565 333 | 1001142941 634, 637 |
| 1001116774 601 | 1001126485 637 | 1001138566 333, 337, | 1001143390 163, 167, |
| 1001116808 601 | 1001126487 637 | 341, 346 | 200, 205, 211, 217, |
| 1001116812 637, 667 | 1001127094 737 | 1001138671 371 | 224, 229, 235 |
| 1001116815 667 | 1001128527 471 | 1001138773 751 | 1001143449 313, 315 |
| 1001116952 633, 638 | 1001128556 471 | 1001138795 513 | 1001143483 315 |
| 1001116983 643 | 1001128901 269, 275 | 1001138827 199, 205, | 1001143484 313 |
| 1001117078 661 | 1001129858 341 | 211, 217, 224 | 1001143525 313, 315 |
| 1001117106 633, 638 | 1001131168 700 | 1001139099 751 | 1001143607 117, 118 |
| 1001117107 633, 638 | 1001131269 700 | 1001139135 429, 617 | 1001143609 117 |
| 1001117140 118, 122 | 1001133714 634, 637, | 1001139240 199, 205, | 1001143611 118 |
| 1001117172 435 | 645 | 211, 217, 223, 230, 236 | 1001143726 200, 205, |
| 1001117174 429, 435, | 1001133715 634, 637, | 1001139357 334, 341 | 212, 217, 229, 235, 633 |
| 747 | 645 | 1001139409 199, 205, | 1001143736 173, 177, |
| 1001117219 127, 131, | 1001133956 633, 638 | 211, 217, 223, 229, 235 | 181, 185 |
| 135 | 1001133957 633, 638 | 1001139654 737 | 1001143797 200, 205, |
| 1001117234 126, 130, | 1001134289 377, 379, | 1001139952 341 | 212, 217, 224, 229, 235 |
| 134 | 381 | 1001140312 212, 218 | 1001143852 737 |
| 1001117249 126, 130 | 1001134488 199, 205, | 1001140346 345 | 1001143858 117, 122 |
| 1001117294 751 | 211, 217, 224, 269, 276 | 1001140347 337 | 1001143860 313 |
| 1001117307 126, 130, | 1001135138 199, 205, | 1001140429 397, 401, | 1001143907 200, 206, |
| 134 | 211, 217, 223, 229, 235 | 407, 409, 411, 413, | 212, 217, 224, 229, 235 |
| 1001117308 199, 205, | 1001135650 634, 637, | 419, 421, 423 | 1001144433 447 |
| 211, 217, 223, 229, | 645 | 1001140448 199, 205, | 1001144438 145 |
| 235, 746 | 1001135651 634, 637 | 211, 217, 223, 230, 236 | 1001144447 145 |
| 1001117372 507 | 1001135679 199, 205, | 1001140450 199, 205, | 1001144527 139 |
| 1001117598 126, 130, | 211, 217, 229 | 211, 217, 223, 230, 236 | 1001144629 399, 403, |
| 134 | 1001136104 365 | 1001140454 199, 205, | 405, 411, 417, 421 |
| 1001118133 69 | 1001136400 385 | 211, 217, 223, 230, 236 | 1001145154 200, 206, |
| 1001118384 689 | 1001136834 199, 205, | 1001140564 199, 205, | 212, 218, 224, 230, 236 |
| 1001118388 689 | 211, 217, 223, 229, 235 | 211, 217, 224 | 1001145405 457, 460 |
| 1001118666 371, 373 | 1001136881 558 | 1001141300 737 | 1001146273 162, 166 |
| 1001119020 601, 667, | 1001137005 753 | 1001141302 737 | 1001146588 182, 223 |
| 671 | 1001137276 199, 205, | 1001141304 199, 205, | 1001147264 633 |
| 1001119563 750 | 211, 217, 223, 229, 235 | 211, 217, 223, 229, 235 | 1001147812 162, 166 |
| 1001119602 559 | 1001137336 265 | 1001141370 199, 205, | 1001147813 162, 166 |
| 1001119619 685 | 1001137440 752 | 211, 217, 223, 229, 235 | 1001147820 162, 166 |
| 1001119620 683, 687 | 1001137460 73, 75, 77 | 1001141419 199, 211, | 1001147823 162, 166, |
| 1001119939 750 | 1001137672 752 | 223, 230 | 169 |
| 1001119947 750 | 1001137673 447, 746 | 1001141421 361 | 1001148138 323 |
| 1001119968 353, 361, | 1001138110 633 | 1001141422 353 | 1001148652 373 |
| 661 | 1001138111 633 | 1001141585 199, 205, | 1001148675 595, 597 |
| 1001120328 447, 449, | 1001138113 633 | 211, 217, 223, 229, | 1001148841 645 |
| 451 | 1001138173 199, 205, | 235, 269, 275 | 1001148842 645 |
| 1001120471 503 | 211, 217, 223, 229, | 1001141586 199, 211, | 1001148902 751 |
| 1001120477 503 | 235, 269, 275 | 223, 229 | 1001148903 751 |
| 1001120484 503 | 1001138175 199, 205, | 1001141718 251 | 1001148904 751 |
| 1001120962 127, 131, | 211, 217, 223, 230, | 1001141870 247, 249 | 1001148905 751 |
| 135 | 236, 269, 275 | 1001141995 199, 205, | 1001148906 751 |
| 1001120989 737 | 1001138228 199, 205, | 211, 217, 224, 229, | 1001148971 751 |
| 1001121122 134 | 211, 217, 223, 229, | 235, 269, 275 | 1001149160 279 |
| 1001121123 134 | 235, 747 | 1001142031 313, 315 | 1001149410 559 |
| 1001125125 611 | | 1001142032 313, 315 | 1001149639 269, 275 |

SECTION 11 - SPECIAL OPTIONS

| | | | |
|---|--|--|--|
| 1001149673 118, 122 | 1001154238 151 | 1001158077 126, 130, 135 | 1001169138 200, 206, 212, 218, 224, 230, 235, 269, 275 |
| 1001149703 309 | 1001154405 173, 177, 181, 247, 249, 251, 307 | 1001158167 137 | 1001169754 31 |
| 1001149704 162, 166 | 1001154584 15 | 1001158175 126, 130, 135 | 1001169755 31 |
| 1001149705 162, 166 | 1001154687 507 | 1001158187 37 | 1001169756 31 |
| 1001149706 162, 166 | 1001154875 17 | 1001158188 37 | 1001169757 31 |
| 1001149793 163, 167 | 1001154931 21 | 1001158203 37 | 1001169967 269, 275 |
| 1001149908 297 | 1001155035 21 | 1001158258 39 | 1001170035 269, 275 |
| 1001149994 107, 109, 111 | 1001155041 327 | 1001158259 750 | 1001170764 637 |
| 1001150260 113, 117, 122, 126, 130, 134 | 1001155043 79, 83, 87, 91, 95 | 1001158364 101 | 1001170808 79, 83, 87, 92, 95, 693 |
| 1001150372 19, 21 | 1001155044 79, 83, 87, 91, 95, 430 | 1001158522 39, 41 | 1001170847 393 |
| 1001150406 107 | 1001155045 79, 83, 87, 91, 95, 430, 746 | 1001159118 595, 597 | 1001171016 619 |
| 1001150539 19, 21, 523 | 1001155143 151, 153 | 1001159119 595, 597 | 1001171125 345 |
| 1001150561 137 | 1001155192 21 | 1001159120 595, 597 | 1001171131 595 |
| 1001150890 311 | 1001155194 17 | 1001159186 667 | 1001171482 92 |
| 1001150915 163, 167 | 1001155673 559 | 1001159256 430, 746 | 1001172577 475 |
| 1001150918 153, 178, 260 | 1001155823 173, 177, 182, 185 | 1001159323 736 | 1001172578 475 |
| 1001150937 19, 21 | 1001155895 126, 130, 134 | 1001159340 548, 554 | 1001172760 430 |
| 1001150998 163, 167 | 1001155899 126, 130, 134 | 1001159707 559 | 1001173535 270, 276 |
| 1001151010 35 | 1001156107 224 | 1001160077 107 | 1001173590 80, 84, 88, 96 |
| 1001151034 19 | 1001156136 53 | 1001160272 567 | 1001173703 737 |
| 1001151070 151, 153 | 1001156172 751 | 1001160780 39, 41 | 1001173876 130 |
| 1001151252 311 | 1001156188 126 | 1001161089 126, 130, 135 | 1001173878 139 |
| 1001151253 309 | 1001156190 65, 67, 69 | 1001161355 19, 21 | 1001173897 65, 67 |
| 1001151354 536, 542, 548, 554 | 1001156332 535, 541, 547, 553 | 1001161399 19, 21 | 1001174040 383 |
| 1001151856 634 | 1001156333 535, 541, 547, 553 | 1001162335 173, 177, 247 | 1001174277 131 |
| 1001151980 19 | 1001156693 609 | 1001162497 151, 154, 173, 177, 182, 185, 256, 261 | 1001174408 127, 135 |
| 1001152173 79, 87, 95 | 1001156695 609 | 1001162546 752 | 1001174486 256, 261 |
| 1001152175 79, 83, 87, 91, 95 | 1001156710 15, 17 | 1001162915 131 | 1001174745 313, 315 |
| 1001152429 350, 359, 657 | 1001156798 61 | 1001163101 139 | 1001174746 315 |
| 1001152457 341, 346 | 1001157013 752 | 1001163131 477 | 1001176027 189, 198, 204 |
| 1001152459 163, 167 | 1001157016 23 | 1001163599 323, 337, 346, 353, 361 | 1001176035 191, 210, 216 |
| 1001152483 625 | 1001157049 59 | 1001164786 751 | 1001176329 269, 275 |
| 1001152489 200, 206, 212, 218, 224, 229, 235 | 1001157058 59 | 1001165035 173, 177, 182, 185, 270, 274 | 1001176419 224 |
| 1001152520 354 | 1001157208 127, 135 | 1001165350 377, 379 | 1001176469 84, 92 |
| 1001152525 350, 354, 358, 362, 366 | 1001157209 127, 131, 135 | 1001165368 333, 338, 627 | 1001176862 595 |
| 1001152532 334, 338, 342, 346, 647 | 1001157400 531 | 1001165657 19, 21 | 1001177035 334, 338, 621 |
| 1001152566 118, 122 | 1001157520 350, 358, 362, 366 | 1001165776 88, 92, 631 | 1001177359 200, 206, 212, 218, 224, 230, 236 |
| 1001152719 15 | 1001157521 350, 354, 358, 362, 366 | 1001165842 200, 212, 224, 230 | 1001177694 751 |
| 1001152965 751 | 1001157525 349, 350, 353, 354 | 1001166538 430, 437, 746 | 1001177710 621 |
| 1001153197 334, 341, 653 | 1001157528 350, 354, 358, 362, 366 | 1001166539 430, 439, 746 | 1001177844 200, 206, 212, 218, 224, 230, 235 |
| 1001153259 338, 346, 655 | 1001157592 357, 358, 362, 366 | 1001166806 41 | 1001177845 200, 206, 212, 218, 224, 230, 235 |
| 1001153282 163, 167, 200, 206, 212, 218, 223, 229, 235, 289 | 1001157612 126, 130, 134 | 1001167042 200, 206, 212, 218, 224, 230, 235 | 1001178057 65, 67, 69, 71 |
| 1001153359 173, 177, 181, 185, 256, 261 | 1001157726 126, 130, 134 | 1001167565 383 | 1001178174 65 |
| 1001153396 157, 162 | 1001157769 350, 359 | 1001167567 383 | 1001178175 69 |
| 1001153414 163, 167 | 1001157867 126, 130, 134 | 1001167596 383 | 1001178178 153 |
| 1001153435 118 | 1001158007 350, 354, 358, 362, 366 | 1001167632 637 | 1001178204 535 |
| 1001153713 80, 84, 629 | 1001158008 350, 354, 358, 362, 366 | 1001167635 637 | 1001178205 541 |
| 1001153749 393 | 1001158077 350, 354, 358, 362, 366 | 1001168018 269, 275 | 1001178207 750 |
| 1001153779 159, 166 | 1001158077 350, 354, 358, 362, 366 | 1001168402 383 | 1001178208 750 |
| 1001154126 507 | 1001158077 350, 354, 358, 362, 366 | 1001169054 200, 206, 212, 218, 224, 230, 235, 269, 275 | 1001178223 200, 206, 212, 218, 224, 230, 236 |
| 1001154231 751 | 1001158077 350, 354, 358, 362, 366 | | 1001178797 307 |
| 1001154236 151, 157 | | | 1001178876 200, 206, 212, 218 |
| 1001154237 153, 159 | | | 1001179079 558 |

SECTION 11 - SPECIAL OPTIONS

| | | | |
|--|--|---|-----------------------------------|
| 1001179154 358, 362, 366 | 1001188844 383 | 1001202687 383 | 1001215974 269, 275 |
| 1001179329 558 | 1001188874 79, 83, 87, 92, 95 | 1001202749 751 | 1001216015 323 |
| 1001179837 323 | 1001188884 305 | 1001203655 415 | 1001216065 279, 281 |
| 1001179912 333 | 1001188887 305 | 1001203656 425 | 1001216071 281 |
| 1001180001 323 | 1001188972 153, 178, 261 | 1001204269 542, 548 | 1001216075 269, 275 |
| 1001180052 324 | 1001189001 383 | 1001204325 200, 206, 212, 218, 224, 230, 236 | 1001216092 269, 275 |
| 1001180218 337 | 1001189002 383 | 1001204560 15, 17, 507 | 1001216144 281 |
| 1001180287 323 | 1001189171 625 | 1001204667 305 | 1001216201 269, 275 |
| 1001180620 200, 206, 212, 218, 224, 230, 235, 269, 275 | 1001189172 625 | 1001204715 393 | 1001216212 641 |
| 1001180861 737 | 1001189172 625 | 1001204725 383 | 1001216213 641 |
| 1001181045 623, 627, 747 | 1001189979 270, 275 | 1001204939 393 | 1001216220 297 |
| 1001181243 324 | 1001190610 200, 206, 212, 218, 224, 230, 236 | 1001205690 599, 625 | 1001216230 96, 641 |
| 1001181895 212, 218 | 1001190888 752 | 1001205958 581, 583, 585, 587, 589, 591 | 1001216300 283 |
| 1001181899 200, 206, 210, 216, 224, 230, 235 | 1001190985 383 | 1001206250 583 | 1001216390 366 |
| 1001181923 605, 607, 609, 611 | 1001191395 751 | 1001206251 587 | 1001216393 275 |
| 1001182162 559 | 1001191525 737 | 1001206252 591 | 1001216531 270, 276 |
| 1001182361 638 | 1001191598 667 | 1001206253 575 | 1001216532 263, 265 |
| 1001182365 638 | 1001191599 245 | 1001206254 579 | 1001216534 263, 265 |
| 1001182570 393 | 1001191610 269, 275 | 1001206255 593 | 1001216535 263, 265 |
| 1001182599 751 | 1001191620 182, 224 | 1001206311 752 | 1001216568 256, 261 |
| 1001182806 103 | 1001192027 371 | 1001206476 603 | 1001216619 283 |
| 1001182997 65, 67, 69 | 1001193018 573, 575, 577, 579, 581, 583, 585, 587, 589, 591, 593 | 1001206477 752 | 1001216630 383 |
| 1001184569 751 | 1001195304 751 | 1001207004 111 | 1001216768 279 |
| 1001184618 704, 708, 712, 716, 720, 724, 728, 732 | 1001195533 751 | 1001207558 113, 117, 122 | 1001216769 279 |
| 1001184626 427 | 1001195967 313 | 1001207969 389 | 1001216910 269, 275, 279 |
| 1001184682 105 | 1001196382 366 | 1001208994 383, 389 | 1001216919 269, 275 |
| 1001185281 430 | 1001196634 253 | 1001209059 752 | 1001216995 269, 275 |
| 1001185667 173, 189 | 1001196768 127, 131, 135 | 1001209432 603 | 1001217005 109 |
| 1001185670 173 | 1001197017 485, 487, 489, 491 | 1001209474 603 | 1001217032 269, 275 |
| 1001185671 177, 191 | 1001197408 737 | 1001209632 751 | 1001217046 269, 275 |
| 1001185672 177 | 1001197719 637 | 1001209664 447 | 1001217090 269, 275 |
| 1001186251 126, 130, 135 | 1001198333 536, 542 | 1001209982 33 | 1001217170 263, 265 |
| 1001186254 127, 131, 135 | 1001198336 531 | 1001210025 752 | 1001217174 269, 275 |
| 1001186333 415 | 1001198338 536, 542, 548, 554 | 1001210026 752 | 1001217175 269, 275 |
| 1001186334 425 | 1001198339 531 | 1001210448 281, 285 | 1001217183 269, 275 |
| 1001186375 401 | 1001198340 536, 542, 548, 554 | 1001210636 503 | 1001217185 269, 275 |
| 1001186378 407 | 1001198341 536, 554 | 1001211582 394 | 1001217186 269, 275 |
| 1001186379 409 | 1001199394 535, 541, 547, 553 | 1001211588 393 | 1001217191 263, 268 |
| 1001186382 419 | 1001199488 752 | 1001211794 279, 281 | 1001217192 257, 263 |
| 1001186383 417 | 1001199733 305 | 1001212223 353, 361 | 1001217195 553 |
| 1001186384 405 | 1001200054 389 | 1001213447 671 | 1001217196 547 |
| 1001186385 403 | 1001200120 737 | 1001213584 563, 565, 569, 599, 621 | 1001217199 256 |
| 1001186387 399 | 1001200121 737 | 1001213585 563, 565, 569, 599, 621 | 1001217317 269, 275 |
| 1001186426 269, 275 | 1001200122 737 | 1001213705 371 | 1001217477 301 |
| 1001186431 447, 752 | 1001200124 737 | 1001213810 279 | 1001217478 301 |
| 1001186432 689, 691 | 1001200125 737 | 1001213882 430 | 1001217543 269, 275 |
| 1001186517 447 | 1001200126 737 | 1001214030 737 | 1001218022 751 |
| 1001186985 200, 206, 212, 218, 224, 230, 236 | 1001200127 737 | 1001214552 752 | 1001218085 263, 265 |
| 1001187674 445 | 1001200491 383 | 1001214561 752 | 1001218089 301 |
| 1001187681 685 | 1001200494 383 | 1001214562 752 | 1001218362 269, 276 |
| 1001187781 268, 274 | 1001200497 393, 667 | 1001214570 603 | 1001218449 269, 276 |
| 1001188042 83 | 1001200700 751 | 1001214571 603 | 1001218547 319 |
| 1001188135 535, 541, 547, 553 | 1001200910 109 | 1001214827 281 | 1001218572 73, 75, 182 |
| 1001188622 383 | 1001201351 383 | 1001215016 641 | 1001218622 571 |
| 1001188842 527 | 1001202280 305 | 1001215091 641 | 1001218623 571 |
| | 1001202281 305, 747 | 1001215228 430 | 1001218930 366 |
| | 1001202368 199, 205, 211, 217, 224, 230 | 1001215289 559 | 1001219219 23, 25 |
| | | 1001215296 536, 542, 548, 554 | 1001219259 269, 276 |
| | | 1001215384 281 | 1001219345 269, 276 |
| | | 1001215534 641 | 1001219361 269, 276 |
| | | 1001215681 269, 275 | 1001219363 269, 276 |
| | | | 1001219364 257, 261 |
| | | | 1001219365 257, 261 |
| | | | 1001219366 257, 261 |
| | | | 1001219367 257, 261 |

SECTION 11 - SPECIAL OPTIONS

| | | | |
|-----------------------------------|--|---|---|
| 1001219368 257, 261 | 1001225745 157, 159, 189, 191, 193, 195, 263, 265, 291 | 1001232011 495, 499, 501 | 1001237865 445, 685 |
| 1001219369 257, 261 | 1001226285 251 | 1001232164 445 | 1001237882 751 |
| 1001219370 257, 261 | 1001226400 613, 615 | 1001232165 445 | 1001237883 751 |
| 1001219480 269, 276 | 1001226531 603 | 1001232642 449, 451 | 1001237949 371 |
| 1001219608 265, 274 | 1001226872 397 | 1001232650 449 | 1001238169 377, 379 |
| 1001219609 261, 265 | 1001226923 307 | 1001232667 449, 451 | 1001238263 493, 495, 497, 499, 501 |
| 1001219610 260 | 1001227224 185, 251 | 1001232842 253 | 1001238268 224 |
| 1001219611 269, 276 | 1001227359 605, 607, 609, 611 | 1001232844 224 | 1001238319 445 |
| 1001219612 269, 276 | 1001227448 750 | 1001233047 750 | 1001238331 371, 377, 379 |
| 1001219613 269, 276 | 1001227488 605, 607, 609, 611, 613 | 1001233089 229, 235 | 1001238333 377, 379 |
| 1001219618 365 | 1001227614 195, 228, 234 | 1001233237 750 | 1001238398 377, 379 |
| 1001219619 327 | 1001227615 185, 195 | 1001233763 178, 253 | 1001238418 449, 451, 689 |
| 1001219630 328 | 1001227616 185 | 1001234425 700 | 1001238421 383 |
| 1001219632 328 | 1001227620 185 | 1001234426 700 | 1001238463 501 |
| 1001219633 751 | 1001227633 445 | 1001234428 724 | 1001238472 449, 451 |
| 1001219809 257, 261 | 1001227634 445 | 1001234429 724 | 1001238477 449 |
| 1001219840 750 | 1001227666 270, 276 | 1001234430 728 | 1001238495 447 |
| 1001219881 319 | 1001227667 270, 276 | 1001234431 732 | 1001238559 449, 451 |
| 1001220002 135 | 1001227769 279 | 1001234432 732 | 1001238672 433 |
| 1001220067 135 | 1001227772 281 | 1001234433 720 | 1001238674 99 |
| 1001220141 301 | 1001227985 445 | 1001234434 720 | 1001238732 99, 433 |
| 1001220189 141 | 1001227987 445 | 1001234435 716 | 1001238824 449 |
| 1001220190 134 | 1001227996 683, 687 | 1001234436 716 | 1001238878 224, 637 |
| 1001220379 633 | 1001228086 375, 527 | 1001234437 708 | 1001239202 637 |
| 1001220404 283 | 1001228170 47, 49 | 1001234438 708 | 1001239347 105 |
| 1001220510 737 | 1001228215 397 | 1001234439 704, 712 | 1001239462 75 |
| 1001220511 737 | 1001228224 445 | 1001234588 599 | 1001239470 73 |
| 1001220512 737 | 1001228225 445 | 1001234800 637 | 1001239470 73 |
| 1001220864 737 | 1001228243 421 | 1001234811 377, 379, 381 | 1001241385 103 |
| 1001221203 230, 236 | 1001228375 423 | 1001235011 449 | 1001241403 99, 433 |
| 1001221212 185, 230, 235 | 1001228376 411 | 1001235013 449 | 1001241413 751 |
| 1001221219 230, 235 | 1001228377 413 | 1001235585 728 | 1001241415 751 |
| 1001221397 301 | 1001228949 750 | 1001235860 181 | 1001241547 752 |
| 1001221464 263 | 1001228988 471, 473, 741, 743 | 1001235861 182, 193 | 1001241548 752 |
| 1001221488 256, 260 | 1001229080 599 | 1001235862 193, 222 | 1001241774 751 |
| 1001221498 366 | 1001229107 750 | 1001235949 182, 249 | 1001241776 751 |
| 1001221545 281 | 1001229341 445 | 1001236089 433 | 1001241965 449, 451 |
| 1001221615 270, 276 | 1001229530 667 | 1001236092 99 | 1001242255 109 |
| 1001222033 270, 276 | 1001229542 199, 205, 211, 217, 224 | 1001236303 75 | 1001242256 111 |
| 1001222641 281 | 1001229762 750 | 1001236304 603 | 1001242409 750 |
| 1001222817 307 | 1001229810 53, 56 | 1001236334 299 | 1001243183 750 |
| 1001223042 269, 275 | 1001230032 307 | 1001236335 299 | 1001243184 750 |
| 1001223055 700 | 1001230635 199, 205, 211, 217, 224, 230, 236 | 1001236386 121 | 1001243263 79, 83, 87, 92, 95, 667 |
| 1001223453 700, 720 | 1001230931 605, 607, 609, 611 | 1001236387 122 | 1001243414 127, 131, 135 |
| 1001223459 634, 637 | 1001230934 638 | 1001236389 122 | 1001243567 84 |
| 1001223584 268, 274 | 1001230935 638 | 1001236504 603 | 1001243568 80, 88, 95 |
| 1001223591 230, 236, 243 | 1001230936 638 | 1001236505 603 | 1001243645 33 |
| 1001223923 269, 275 | 1001231180 473 | 1001236552 449, 451 | 1001243682 103, 105, 695 |
| 1001223971 720 | 1001231183 473 | 1001236746 499 | 1001243723 427, 429 |
| 1001224048 728 | 1001231235 473 | 1001236747 495 | 1001243748 427 |
| 1001224049 732 | 1001231801 736 | 1001236871 122 | 1001243895 253 |
| 1001224050 716 | 1001231886 103 | 1001236891 493, 495, 497, 499, 501 | 1001243984 429, 671 |
| 1001224052 708 | 1001231888 65, 67 | 1001236895 493, 495, 497, 499, 501 | 1001244212 736 |
| 1001224053 724 | 1001231949 499 | 1001236951 751 | 1001244482 87 |
| 1001224486 270, 276 | 1001231950 495, 501 | 1001237023 92 | 1001244486 79 |
| 1001224489 270, 276 | 1001232010 495, 497, 499, 501 | 1001237026 92 | 1001244488 83 |
| 1001224936 230, 236 | | 1001237142 371 | 1001244493 95 |
| 1001224937 230, 236 | | 1001237667 667, 671 | 1001245049 33 |
| 1001224940 230, 236 | | 1001237668 667, 671 | 1001245913 224, 645 |
| 1001225346 603 | | 1001237731 91 | 1001246142 750 |
| 1001225430 243, 747 | | 1001237862 683, 687 | 1001246473 750 |
| 1001225432 244, 747 | | 1001237863 445, 687 | 1001246474 750 |
| 1001225442 269, 275 | | 1001237864 445, 683 | |
| 1001225510 270, 276 | | | |
| 1001225580 447, 691 | | | |

SECTION 11 - SPECIAL OPTIONS

| | | | | | | | |
|------------------|-------------------------|------------------|--|------------------|---|---------------|---|
| 1001247013 | 185 | 1001256506 | 634 | 1001262105 | 736 | 1320218 | 35 |
| 1001247073 | 752 | 1001256879 | 182 | 1001262240 | 736 | 1320220 | 35 |
| 1001247358 | 35 | 1001256906 | 736 | 1001262241 | 736 | 1320223 | 69, 162, 166 |
| 1001247359 | 270, 276 | 1001257271 | 493, 497 | 1001262242 | 736 | 1320224 | 151, 154 |
| 1001247453 | 393 | 1001257274 | 493 | 1001262243 | 736 | 1320250 | 387 |
| 1001247468 | 383 | 1001257278 | 230, 236 | 1001262244 | 736 | 1320256 | 605, 607, 609, 611 |
| 1001247846 | 373 | 1001257283 | 303 | 1001262245 | 736 | 1320288 | 385 |
| 1001247847 | 373 | 1001257397 | 371 | 1001262246 | 736 | 1320289 | 385 |
| 1001247848 | 371, 373 | 1001257412 | 230, 236 | 1001262247 | 736 | 1320302 | 460, 465, 467, 471 |
| 1001248140 | 493, 495, 497, 499, 501 | 1001257430 | 559 | 1001262959 | 753 | 1320318 | 333, 337, 341, 345, 349, 353, 357, 361 |
| 1001248141 | 493, 495, 497, 499, 501 | 1001257561 | 751 | 1001263022 | 736 | 1321283 | 256, 260 |
| 1001249052 | 752 | 1001257902 | 605, 607 | 1001263612 | 393 | 1321339 | 151, 153, 174, 178, 181, 185, 256, 260 |
| 1001249695 | 750 | 1001257903 | 611 | 1001263800 | 513, 515 | 1321384 | 114, 118, 122 |
| 1001249824 | 385 | 1001257904 | 609 | 1001263923 | 629, 693 | 1380147 | 317, 319 |
| 1001249941 | 750 | 1001257972 | 366, 659 | 1001263941 | 700, 704, 708, 712, 716, 720, 724, 728, 732 | 1580012 | 453 |
| 1001249942 | 199, 205, 211, 217, 239 | 1001258707 | 605, 607, 609, 611 | 1001264148 | 750 | 1580013 | 752 |
| 1001250292 | 127, 131, 135 | 1001258708 | 605, 607, 609, 611 | 1001264254 | 750 | 1600244 | 752 |
| 1001250293 | 126, 130, 134 | 1001258709 | 605, 607, 609, 611, 669 | 1001264302 | 377, 513 | 1670603 | 593 |
| 1001250384 | 385 | 1001258710 | 605, 607, 609, 611 | 1001264991 | 379, 515 | 1670842 | 113, 117, 121, 126, 130, 134 |
| 1001250465 | 752 | 1001258711 | 605, 607, 609, 611 | 1001265163 | 503 | 1670844 | 371 |
| 1001250466 | 752 | 1001258800 | 223 | 1001265342 | 503 | 1670850 | 371 |
| 1001250531 | 393 | 1001258953 | 753 | 1001265676 | 641 | 1671034 | 377, 379 |
| 1001250535 | 371 | 1001259466 | 559 | 1001266056 | 752 | 1671092 | 358, 362, 366, 567 |
| 1001250595 | 752 | 1001259467 | 559 | 1001266098 | 751 | 1671093 | 460, 467, 567 |
| 1001250643 | 67 | 1001259468 | 559 | 1001266499 | 236 | 1671228 | 113, 114, 117, 118, 121, 122 |
| 1001250737 | 373 | 1001259470 | 559 | 1001266525 | 206, 218, 235 | 1671230 | 114 |
| 1001251009 | 371, 519 | 1001259481 | 559 | 1001266689 | 752 | 1671231 | 114, 118, 122 |
| 1001251010 | 371, 517 | 1001259487 | 47, 389 | 1001266807 | 752 | 1671232 | 114, 118, 122 |
| 1001251041 | 371, 511 | 1001260277 | 200, 206, 212, 218, 230, 236 | 1001267256 | 205, 217, 236 | 1671233 | 113 |
| 1001251087 | 373, 525 | 1001260412 | 200, 206, 212, 218, 230, 236 | 1060341 | 485, 487, 489, 491 | 1700818 | 736 |
| 1001252033 | 752 | 1001260413 | 200, 206, 212, 218, 230, 236 | 1060343 | 358, 362, 366 | 1701499 | 700, 704, 708, 712, 716, 720, 724, 728, 732 |
| 1001252034 | 752 | 1001260432 | 222 | 1060379 | 473, 479, 481, 483 | 1701501 | 700, 704, 708, 712, 716, 720, 724, 728, 732 |
| 1001252315 | 371 | 1001260858 | 750 | 1060545 | 625, 627 | 1701505 | 151, 153, 173, 177, 181, 185, 736 |
| 1001252527 | 638 | 1001260886 | 750 | 1060626 | 153, 177, 260 | 1701509 | 475, 477, 700, 704, 708, 712, 716, 720, 724, 728, 732 |
| 1001252627 | 739 | 1001260957 | 736 | 1060637 | 151, 153, 189, 191, 193, 195, 263, 265 | 1701518 | 704, 712 |
| 1001252629 | 493, 495, 497, 499, 501 | 1001260958 | 712 | 1060903 | 485, 487, 489, 491 | 1701542 | 256, 260, 736 |
| 1001252946 | 479 | 1001260959 | 704 | 1060908 | 623 | 1701543 | 256, 260, 736 |
| 1001252947 | 479 | 1001260960 | 724 | 1060918 | 435 | 1702565 | 429 |
| 1001253375 | 691 | 1001260962 | 708 | 1062255 | 224 | 1702566 | 429 |
| 1001253618 | 752 | 1001260963 | 716 | 10702077 | 350, 354, 358, 362, 366 | 1702567 | 429 |
| 1001253619 | 752 | 1001260964 | 720 | 10702082 | 350, 354, 358, 362, 366 | 1702720 | 736 |
| 1001253658 | 385 | 1001260965 | 732 | 1120510 | 371 | 1702773 | 415, 425, 736 |
| 1001253677 | 389, 391 | 1001260966 | 728 | 1120555 | 475, 477 | 1702774 | 736 |
| 1001253724 | 385 | 1001260967 | 700 | 1120601 | 114, 118, 121, 126, 130, 134 | 1702788 | 736 |
| 1001253789 | 393 | 1001260968 | 712 | 1180346 | 387 | 1702861 | 736 |
| 1001253880 | 385 | 1001260969 | 700, 704, 708, 716, 720, 724, 728, 732 | 1260017 | 39, 41, 61 | 1702868 | 471, 473, 700, 736, 739, 743 |
| 1001254317 | 385 | 1001260970 | 750 | 1260135 | 43 | 1702938 | 485, 487, 489, 491 |
| 1001254472 | 451 | 1001261045 | 222 | 1320011 | 185 | 1702941 | 153, 177, 260 |
| 1001254473 | 451 | 1001261085 | 222 | 1320016 | 162, 166 | 1702942 | 153, 177, 260 |
| 1001254632 | 385 | 1001261272 | 387 | 1320022 | 151, 153, 305 | 1702943 | 153, 177, 260 |
| 1001254846 | 559 | 1001261274 | 387 | 1320061 | 174, 178, 181, 185 | 1702944 | 153, 177, 260 |
| 1001254847 | 559 | 1001261335 | 493 | 1320110 | 268, 274 | | |
| 1001254879 | 558 | 1001261336 | 497 | 1320127 | 35 | | |
| 1001255133 | 383 | 1001261338 | 493 | 1320176 | 151, 153 | | |
| 1001255320 | 371, 509 | 1001261339 | 497 | 1320177 | 457, 460 | | |
| 1001255321 | 371, 521 | 1001262016 | 752 | | | | |
| 1001255807 | 750 | 1001262102 | 736 | | | | |
| 1001255880 | 393 | 1001262103 | 736 | | | | |
| 1001255882 | 394 | 1001262104 | 736 | | | | |
| 1001256059 | 559 | | | | | | |
| 1001256267 | 371 | | | | | | |

SECTION 11 - SPECIAL OPTIONS

| | | | |
|--|--|---|---|
| 1703162 162, 166, 198, 204, 210, 216, 222, 228, 234, 268, 274 | 1705347 720 | 2110608..... 547, 553 | 2220451 162, 166, 535, 541, 547, 553, 559 |
| 1703479 736 | 1705348 716 | 2110808..... 535, 541, 547, 553 | 2220466 536, 542, 548, 554, 558 |
| 1703482 700, 704, 708, 712, 716, 720, 724, 728, 732 | 1705351 700 | 2110812..... 535, 541, 547, 553 | 2220468 535, 541, 547, 553, 559 |
| 1703773 700, 704, 708, 712, 716, 720, 724, 728, 732 | 1705355 741, 743 | 2111616..... 535, 541, 547, 553 | 2220472 558 |
| 1703797 700 | 1705358 477 | 2120209..... 47 | 2220473 536, 542, 548, 554, 558 |
| 1703804 700 | 1705368 737 | 2120210..... 47, 746 | 2220478 558 |
| 1703805 700 | 1705374 342, 345, 595, 597 | 2130406..... 535, 541, 547, 553 | 2220490 558 |
| 1703811 700, 704, 708, 712, 716, 720, 724, 728, 732 | 1705375 359, 363, 366, 471, 743 | 2130604..... 535, 541, 547, 553 | 2220500 558 |
| 1703814 700, 704, 708, 712, 716, 720, 724, 728, 732 | 1705387 342, 345, 359, 363, 366 | 2130606..... 536, 542, 548, 554 | 2220501 558 |
| 1703923 732 | 1705426 724 | 2130808..... 535, 541, 547, 553 | 2220577 558 |
| 1703924 720 | 1705427 728 | 2131616..... 535, 541, 547, 553 | 2220578 535, 541, 547, 553 |
| 1703925 716 | 1705429 720 | 2150406..... 535, 541, 547, 553 | 2220582 535, 541, 547, 553, 558 |
| 1703926 724 | 1705460 350, 354, 358, 363, 366 | 2151616..... 536, 542, 548, 554 | 2220593 558 |
| 1703927 728 | 1705461 350, 354 | 2170408..... 535, 541, 547, 553 | 2220596 535, 541, 547, 553, 558 |
| 1703935 732 | 1705489 333, 337, 350, 354 | 2170504..... 535, 541, 547, 553 | 2220600 558 |
| 1703936 720 | 1705490 739 | 2170506..... 548, 554 | 2220603 558 |
| 1703937 716 | 1705822 704, 712 | 2170706..... 547, 553 | 2220605 558 |
| 1703938 724 | 1705828 704, 712 | 2180348..... 151, 153, 270, 276, 305 | 2220671 535, 541, 547, 553 |
| 1703939 728 | 1705836 736 | 2180387..... 35 | 2220726 559 |
| 1703942 720 | 1705837 736 | 2180388..... 35 | 2220737 558 |
| 1703943 708, 716, 732 | 1705886 737 | 2180389..... 35 | 2220750 143, 145 |
| 1703944 724 | 1705895 708 | 2180418..... 35, 256, 260, 270, 276 | 2220765 558 |
| 1703945 728 | 1705896 708 | 2180467..... 268, 274 | 2220800 535, 541, 547, 553 |
| 1703947 732 | 1705897 708 | 2180832..... 173, 177, 181, 185, 457, 460 | 2220816 305, 307 |
| 1703948 720 | 1705898 708 | 2200222..... 65, 67 | 2220852 558 |
| 1703949 716 | 1705899 708 | 2200233..... 69 | 2220883 27, 391, 507, 509, 511, 513, 517, 519, 525, 527 |
| 1703950 724 | 1705902 708 | 2220237 535, 541, 547, 553 | 2220885 507, 513, 521, 527 |
| 1703951 728 | 1705905 708 | 2220238 535, 541, 547, 553 | 2220886 27, 511, 517, 519, 525, 527 |
| 1703953 700 | 1705917 732 | 2220252..... 143, 145 | 2220888 27 |
| 1703959 700, 704, 708, 712, 716, 720, 724, 728, 732 | 1705921 704, 712 | 2220261..... 35, 270, 276 | 2220899 559 |
| 1703980 724 | 1705961 704, 712 | 2220313..... 151, 153, 173, 177, 181, 185 | 2220940 536, 548, 554 |
| 1703981 728 | 1705967 708, 736 | 2220315..... 198, 204, 210, 216, 222, 228, 234 | 2220947 558 |
| 1703982 716 | 1705968 716, 736 | 2220371 536, 542, 548, 554, 558 | 2220950 558 |
| 1703983 732 | 1705969 728, 736 | 2220374..... 535, 541, 547, 553 | 2221024 35 |
| 1703984 720 | 1705977 704, 708, 712, 716, 720, 724, 728, 732 | 2220375..... 535, 541, 547, 553 | 2221034 558 |
| 1704000 720, 736 | 1705980 737 | 2220377..... 558 | 2221036 558 |
| 1704001 732, 736 | 1706059 737 | 2220380..... 535, 541, 547, 553 | 2221037 143, 145 |
| 1704260 429 | 1706060 737 | 2220381..... 558 | 2221086 558 |
| 1704271 736 | 1706061 737 | 2220415..... 558 | 2221176 151, 153, 256, 260 |
| 1704277 700, 704, 708, 712, 716, 720, 724, 728, 732 | 1706062 737 | 2220418..... 35 | 2221197 35, 256, 260 |
| 1704412 700, 704, 708, 712, 716, 720, 724, 728, 732 | 1706063 737 | 2220472..... 535, 541, 547, 553 | 2300016 23 |
| 1704578 39 | 1706064 737 | 2220473..... 535, 541, 547, 553 | 2400060 253, 503, 657, 659, 667, 671 |
| 1704885 736 | 1706098 737 | 2220477..... 535, 541, 547, 553 | 2400064 657, 659 |
| 1704972 737 | 1706385 415, 425 | 2220481..... 535, 541, 547, 553 | 2400065 80, 84, 88, 96, 746 |
| 1705014 415, 425 | 1706510 483 | 2220482..... 535, 541, 547, 553 | 2400066 80, 84, 88, 96 |
| 1705090 39 | 1706957 41 | 2220483..... 535, 541, 547, 553 | 2410014 415, 425 |
| 1705305 471, 473, 739, 741, 743 | 1706960 41 | 2220484..... 535, 541, 547, 553 | 2420172 80, 88, 96 |
| 1705325 573, 575 | 2030010 457, 460, 465, 467, 471 | 2220485..... 535, 541, 547, 553 | 2420203 321, 323, 327 |
| 1705336 700 | 2060025 162, 166 | 2220486..... 535, 541, 547, 553 | 2460048 349, 357 |
| 1705344 724 | 2080040 126, 130, 134, 399, 403, 405, 411, 417, 421 | 2220487..... 535, 541, 547, 553 | 2460051 327 |
| | 2080072 126, 130, 134 | 2220488..... 535, 541, 547, 553 | 2460055 321 |
| | 2110404 531, 535, 536, 541, 542, 547, 548, 553, 554 | 2220489..... 535, 541, 547, 553 | |
| | 2110406 535, 541, 547, 553 | 2220490..... 535, 541, 547, 553 | |
| | 2110408 531 | 2220491..... 535, 541, 547, 553 | |
| | 2110606 531, 535, 541, 547, 553 | 2220492..... 535, 541, 547, 553 | |

SECTION 11 - SPECIAL OPTIONS

| | | | | | | | |
|--------------|--------------------------------------|---------------|---|--------------|---|---|---|
| 2560136..... | 429 | 2753622 | 535, 541, 547, 553 | 3200401..... | 163, 167, 198, 204, 210, 216, 222, 228, 234, 309, 311 | 3300454 | 143, 145 |
| 2560187..... | 127, 131, 135 | 2753626 | 535, 541, 547, 553 | 3200406..... | 162, 166 | 3310401 | 198, 204, 210, 216, 222, 228, 234 |
| 2580024..... | 153, 177, 260 | 2753628 | 535, 554 | 3250030..... | 127, 131 | 3310601 | 317, 319 |
| 2580062..... | 167 | 2753634 | 536, 541, 548, 554 | 3250872..... | 39 | 3310605 | 393 |
| 2600209..... | 114, 118, 122 | 2753656 | 547, 554 | 3251102..... | 321, 323, 327, 331, 333, 337, 341, 345 | 3310801 | 393 |
| 2600233..... | 114, 118, 122 | 2753686 | 535, 541, 547, 553 | 3251242..... | 577, 579, 581, 583, 585, 587, 589, 591, 593, 736 | 3310805 | 35 |
| 2600244..... | 113, 117, 121 | 2753732 | 548, 554 | 3251243..... | 321, 327, 342, 345, 359, 363, 366, 700, 720, 724 | 3311001 | 113, 114, 117, 118, 121, 122, 247, 249, 251, 350, 354, 358, 362, 366 |
| 2600281..... | 399, 403, 405, 411, 417, 421 | 2753879 | 548, 553 | 3251813..... | 737 | 3311005 | 321, 323, 327, 331, 342, 345, 349, 354, 358, 362, 365, 429, 457, 460, 465, 467, 471 |
| 2720015..... | 198, 204, 210, 216, 222, 228, 234 | 2753940 | 542 | 3252347..... | 700 | 3311401 39, 41, 485, 487, 489, 491 | |
| 2720058..... | 151, 153, 270, 274, 305 | 2753970 | 535, 554 | 3252507..... | 331 | 3311405 | 79, 83, 87, 91, 95, 103, 105, 113, 117, 121, 126, 130, 134, 137, 139, 143, 145, 147, 151, 154, 157, 159, 162, 166, 173, 177, 181, 185, 189, 191, 193, 195, 198, 204, 210, 216, 222, 228, 234, 256, 260, 263, 265, 313, 315, 333, 337, 389, 393, 427, 449, 451, 455, 573, 575, 577, 579, 581, 583, 585, 587, 589, 591, 593, 599, 603, 619, 621 |
| 2720144..... | 35 | 2754337 | 535, 541, 547, 553 | 3271601..... | 122, 385 | 3311501 | 114, 118, 121, 126, 130, 134, 393, 485, 487, 489, 491 |
| 2720160..... | 457, 460 | 2754338 | 536, 542, 548, 554 | 3271605..... | 385, 493, 495, 497, 499, 501 | 3311505 23, 69, 113, 117, 121, 127, 131, 135, 162, 166, 198, 204, 210, 216, 222, 228, 234, 353, 361, 365, 389, 479, 481, 483 | |
| 2720340..... | 198, 204, 210, 216, 222, 228, 234 | 2754512 | 535, 553 | 3271801..... | 198, 204, 210, 216, 222, 228, 234 | 3311508 | 341, 345, 349, 357 |
| 2720398..... | 162, 166 | 2754720 | 541, 547 | 3271805..... | 63, 415, 425 | 3311601 65, 67, 113, 117, 121, 126, 130, 134, 387, 430, 449, 451 | |
| 2720545..... | 143, 145 | 2754743 | 541, 548 | 3272001..... | 493, 495, 497, 499, 501 | 3311602 | 387 |
| 2750532..... | 151, 153, 174, 178, 181, 185 | 2792700 | 41 | 3290405..... | 256, 260, 503, 573, 575, 577, 579, 581, 583, 585, 587, 589, 591, 593 | 3311605 | 35, 65, 67, 69, 113, 114, 117, 121, 126, 130, 134, 137, 139, 141, 145, 147, 151, 153, 162, 166, 198, 204, 210, 216, 222, 228, 234, 247, 249, 251, 256, 260, 307, 309, 311, 317, 321, 331, 385, 387, 415, 425, 427, 460, 465, 467, 471 |
| 2751399..... | 535, 541, 547, 553 | 2820019 | 649 | 3290605..... | 268, 274, 457, 460 | 3311705 | 321, 323, 327, 331 |
| 2751500..... | 535, 541, 547, 553 | 2820031 | 321, 323, 327, 331, 333, 337, 341, 345, 350, 353, 358, 361, 365, 613 | 3290606..... | 401, 407, 409, 413, 419, 423 | 3311801 | 23, 151, 153, 189, 191, 193, 195, 323, 333, 337, 342, |
| 2752434..... | 535, 541, 547, 553, 559 | 2820118 | 613, 615 | 3290607..... | 109, 111, 268, 274 | | |
| 2752461..... | 558 | 2820233 | 114 | 3290801..... | 228, 234, 256, 260, 268, 274 | | |
| 2752468..... | 559 | 2820234 | 114 | 3290805..... | 268, 274, 603 | | |
| 2752484..... | 558 | 2820235 | 114 | 3290806..... | 383 | | |
| 2752489..... | 535, 542, 548, 553 | 2820247 | 683, 687 | 3291001..... | 268, 274, 383 | | |
| 2752494..... | 558 | 2840016 | 317, 319 | 3291005..... | 200, 206, 212, 218, 222, 228, 234, 268, 274, 377, 379, 383 | | |
| 2752495..... | 535, 541, 547, 553 | 2860012 | 321 | 3291007..... | 319 | | |
| 2752723..... | 558 | 2860030 | 79, 83, 87, 91, 95, 746 | 3291201..... | 268, 274, 328, 365, 383 | | |
| 2752754..... | 535, 541, 547, 553 | 2900708 | 47 | 3291205..... | 383 | | |
| 2752766..... | 559 | 2900756 | 23 | 3300007..... | 23 | | |
| 2752767..... | 558 | 2900792 | 509, 511, 513, 515, 517, 519 | 3300151..... | 397, 401, 407, 409, 411, 413, 419, 421, 423, 460, 465, 467, 471 | | |
| 2752768..... | 558 | 2902212 | 475, 477 | 3300205..... | 79, 83, 87, 91, 95 | | |
| 2752930..... | 559 | 2902217 | 460, 465, 467 | 3300353..... | 79, 83, 87, 91, 95, 429 | | |
| 2752938..... | 535, 541, 547, 553 | 2902396 | 750 | 3300364..... | 126, 130, 134 | | |
| 2752978..... | 559 | 2902443 | 629, 633, 637 | 3300396..... | 341, 346, 350, 354, 358, 362, 366 | | |
| 2752995..... | 559 | 2910887 | 750 | 3300408..... | 79, 83, 87, 91, 95, 99, 433 | | |
| 2752997..... | 535, 541, 547, 553 | 2915094 | 59, 753 | 3300430..... | 447 | | |
| 2753008..... | 559 | 2920028 | 429, 485, 487, 489, 491 | | | | |
| 2753010..... | 558 | 2920029 | 429, 485, 487, 489, 491 | | | | |
| 2753118..... | 558 | 2920129 | 671 | | | | |
| 2753123..... | 559 | 2920161 | 107 | | | | |
| 2753189..... | 559 | 2940045 | 126, 130, 134 | | | | |
| 2753190..... | 558 | 2940074 | 399, 403, 405, 411, 417, 421, 747 | | | | |
| 2753191..... | 559 | 2940088 | 114, 118, 122 | | | | |
| 2753192..... | 558 | 2940173 | 127, 131, 134 | | | | |
| 2753195..... | 559 | 2940188 | 114, 118, 121 | | | | |
| 2753196..... | 559 | 3020021 | 289 | | | | |
| 2753197..... | 559 | 3020029 | 59 | | | | |
| 2753199..... | 559 | 3020037 | 189, 191, 193 | | | | |
| 2753200..... | 558 | 3020039 | 15, 17 | | | | |
| 2753231..... | 558 | 3160348 | 23, 27 | | | | |
| 2753274..... | 558 | | | | | | |
| 2753442..... | 558 | | | | | | |
| 2753542..... | 535, 541, 547, 553 | | | | | | |

SECTION 11 - SPECIAL OPTIONS

| | | | |
|--|---|--|---|
| 345, 349, 353, 358, 361, 393 | 3520189350, 354 | 3841203..... 371 | 4010618 401, 407, 409, 413, 419, 423 |
| 3311805 162, 166, 263, 265, 309, 311, 317, 319 | 3520192350, 354 | 384128715, 17, 371 | 4031505 445 |
| 331200143 | 3520193393 | 3841340.....47, 387 | 4031516449, 451 |
| 331200253, 493, 495, 497, 499, 501 | 3520198 397, 399, 401, 403, 405, 407, 409, 411, 413, 417, 419, 421, 423 | 3841356..... 371 | 4031608331 |
| 3312005 475, 477 | 3537445 317 | 3841406..... 385 | 4031711268, 274 |
| 3312205 475, 477 | 3537446317, 319 | 3841520..... 19, 21 | 4031914 198, 204, 210, 216, 222, 228, 234 |
| 3312602107, 109, 111 | 353804715, 17 | 3900054.....415, 425 | 4032014 198, 204, 210, 216, 228 |
| 3321501114, 118, 121 | 3570928393 | 3900085.....107, 109, 111 | 4032015 333, 341, 349, 358 |
| 332220163 | 3571712 113 | 3900210.....126, 127, 130, 131, 134, 135 | 4060092565 |
| 3340764385 | 357242369 | 3900232....113, 114, 117, 121, 122, 385 | 4060802 321, 323, 327, 331, 333, 337, 341, 345, 349, 353, 357, 361, 365 |
| 3340828375 | 3572606393 | 3900239..... 371 | 4060805 162, 166, 198, 204, 210, 216, 222, 228, 234, 270, 276, 393 |
| 3340835 371, 375 | 3572607393 | 3900259..... 373 | 4070410 113, 117, 121 |
| 3340840385 | 3573400 460, 465, 467, 471 | 3900262..... 387 | 4070411 113, 117, 121 |
| 3340859387 | 3573642 460, 465, 467, 471 | 3900268....79, 83, 87, 91, 95 | 4070412 113, 117, 121 |
| 3340871373 | 3574091489, 491 | 3900283..... 385 | 407045043 |
| 3340881375 | 3575359485, 487 | 3900293..... 53 | 407056043 |
| 3340941385 | 3575874143, 145 | 3900316....118, 126, 130, 134 | 407056143 |
| 3340943385 | 357675569 | 3900349..... 429 | 4070585321 |
| 3340956 475, 477 | 3576799457, 460 | 3900363.....127, 131, 135 | 4070863373 |
| 334096621 | 3577121 460, 465, 467, 471 | 3910408....198, 204, 210, 216, 222, 228, 234 | 4070864373 |
| 3380434427 | 3580134 331 | 3910606....342, 345, 357, 361, 365, 595, 597 | 407087815, 17 |
| 3380442 113, 117, 121 | 3580158321, 331 | 3910608.....317, 319 | 407087915, 17 |
| 3380444 113, 117, 121 | 3580276321, 323 | 3910610.....563, 565 | 4070897373, 375 |
| 3420292 39, 41 | 3580314365 | 3910804....79, 83, 87, 91, 95 | 4070898373, 375 |
| 342037243 | 3580317 333, 337, 342, 345, 350, 353, 358, 361, 365 | 3930606..... 393 | 4070929375 |
| 342044743 | 3580318 342, 345, 358, 361 | 3930820..... 394 | 4070967375 |
| 3421453 457, 460 | 3580319 333, 337, 350, 353 | 3930824..... 393 | 4070968375 |
| 342156561 | 3580320 198, 204, 210, 216, 228, 333, 342, 350, 358 | 3931016....341, 345, 349, 353, 357, 361, 365 | 4070969385 |
| 3422417 19, 21 | 3580324327 | 3931408..... 447 | 4070991 79, 83, 87, 91, 95 |
| 3422446 151, 153, 173, 177, 181, 185, 256, 260 | 3600386 143, 145, 147 | 3931424..... 145 | 4071007375 |
| 3422457373 | 3641569485, 487 | 3931432....198, 204, 210, 216, 222, 228, 234, 393 | 407105921 |
| 3422532 157, 159, 189, 191, 193, 195, 263, 265 | 3720021143, 145 | 3931436..... 393 | 4071122256, 260 |
| 3422661 479, 481, 483 | 3740049 79, 83, 87, 91, 95, 746 | 3931512....198, 204, 210, 216, 222, 228, 234 | 4100062558 |
| 3422681371 | 3740067 162, 166, 173, 177, 181, 185, 256, 260, 746 | 3931628....198, 204, 210, 216, 228 | 4120035671 |
| 3422683371 | 3740080 162, 166, 321, 323, 327, 331, 365, 746, 747 | 3931640.....268, 274 | 4160139 113, 117, 121 |
| 3422684371 | 3740086689 | 3952020..... 53 | 4160143 113, 117, 121 |
| 3422685371 | 3760133373 | 3960389....113, 117, 121, 126, 130, 134, 151, 153 | 4160194 126, 130, 134 |
| 3422686371 | 3760170 43, 61, 473 | 3960407.....162, 166 | 4240018 323, 331, 333, 337, 341, 345, 349, 353, 357, 361, 595, 597 |
| 3422687371 | 3790012 256, 260, 427, 429, 443 | 3960422....342, 345, 357, 361, 365, 563, 565, 595, 597 | 4240032 109, 111, 559 |
| 3422688371 | 3790044 157, 159, 189, 191, 193, 195, 263, 265 | 3960462....114, 118, 122 | 4240033 109, 111, 173, 177, 181, 185, 393, 445, 447, 449, 451, 605, 607, 609, 611 |
| 3422690373 | 3820001 39, 481, 700, 704, 708, 712, 716, 720, 724, 728, 732 | 3960464....114, 118, 122 | 4240099 198, 204, 210, 216, 222, 229, 234, 253, 257, 260, 268, 274, 327, 460, 465, 467, 485, 487, 489, 491, 599 |
| 3422729371 | 3820020 399, 403, 405, 411, 417, 421 | 3960468....162, 166, 189, 191, 193, 195 | 424011365, 67 |
| 3422790 19, 21 | 3841143 151, 153, 173, 177, 181, 185, 256, 260, 373, 377, 379, 383 | 3960469....162, 166, 189, 191, 193, 195, 263, 265 | 4240149475, 477 |
| 342284821 | | 3960470.....113, 117, 121 | 428029637 |
| 3422861 377, 379 | | 3960526..... 23 | 4300157 333, 342, 349, 358 |
| 3422867 377, 379 | | 3980007.....153, 177, 260 | 4340706375 |
| 3430616430 | | 3990010..... 667 | |
| 3430816 317, 319 | | 4010303..... 394 | |
| 3450404 317, 319 | | 4010608.....457, 460 | |
| 3460334 475, 477 | | | |
| 3470003430 | | | |
| 3520028 321, 323, 327 | | | |
| 3520030134 | | | |
| 352003180, 84, 88, 91, 96 | | | |
| 352003580, 84, 88, 91, 96, 393 | | | |
| 3520054 162, 166, 429 | | | |
| 3520071 475, 477 | | | |
| 3520072397, 399, 401, 403, 405, 407, 409, 411, 413, 415, 417, 419, 421, 423, 425 | | | |

SECTION 11 - SPECIAL OPTIONS

| | | | |
|---|---|--|--|
| 4340747..... 143 | 4460234 429, 485, 487, 489, 491 | 4460496.....79, 83, 87, 91, 95 | 4460910..... 683 |
| 4360057.....485, 487, 489, 491, 747 | 4460247633, 638 | 4460497.....79, 83, 87, 91, 95 | 4460911 685 |
| 4360070.....341, 346, 350, 354, 358, 362, 366 | 4460256 659 | 4460508.....445, 613, 667, 671 | 4460928 601 |
| 4360274..... 91 | 4460259 503, 629, 641, 667, 671 | 4460509.....613, 615 | 4460930 633, 637 |
| 4360328.....443, 747 | 4460260 503, 629, 641, 667, 671 | 4460510..... 753 | 4460931 631 |
| 4360331.....427, 746 | 4460265437, 440 | 4460518.....601, 605, 607, 609, 611 | 4460932 503, 633, 643 |
| 4360336.....256, 260, 321, 323, 327, 331, 333, 337, 341, 345, 349, 353, 357, 361, 365, 747 | 4460267 671 | 4460526.....79, 83, 87, 91, 95 | 4460933 601, 667, 671 |
| 4360387 84, 91, 429, 485, 487, 489, 491, 746 | 4460268 631, 647, 649, 693 | 4460536.....667, 669, 671, 695 | 4460941 643, 685 |
| 4360407.....429, 746 | 4460294 337 | 4460539.....605, 607, 609, 611, 629, 631, 637, 641, 669, 671, 693, 695 | 4460942 445, 633, 637, 643 |
| 4360436.....65, 67, 69 | 4460297 667 | 4460612.....595, 597 | 4460943 667, 671, 685 |
| 4360469.....79, 83, 87, 91, 95, 746 | 4460312629, 641 | 4460633..... 143, 145 | 4460944 605, 607, 609, 611, 629, 631, 633, 637, 641, 667, 671 |
| 4360475.....79, 83, 87, 91, 95, 429, 746 | 4460313 629, 631, 641, 667 | 4460634..... 671 | 4460945 667 |
| 4360476.....79, 83, 87, 91, 95, 429 | 4460315563, 565 | 4460635..... 671 | 4460956623, 627 |
| 4360498.....393, 747 | 4460320 667 | 4460670.....629, 651 | 4460957623, 627 |
| 4360499.....393, 747 | 4460321 327 | 4460701..... 665 | 4460958597 |
| 4360517..... 63, 746 | 4460346 342, 345, 357, 361, 365, 563 | 4460703..... 633, 638 | 4460962 460, 467, 567 |
| 4360542.....321, 323, 327 | 4460374629, 651 | 4460708.....429, 671 | 4460963 358, 362, 366, 567 |
| 4360578.....393, 747 | 4460375 629 | 4460722..... 253 | 4460967 653, 655, 657, 659, 661 |
| 4400275..... 35 | 4460418667, 671 | 4460738..... 631, 641 | 4460968331, 393 |
| 4400420..... 35 | 4460419667, 671 | 4460742.....651, 653, 657, 659 | 4460971457, 460 |
| 4420014.....475, 477 | 4460424 629, 631, 641, 693 | 4460743..... 653, 657 | 4460979629, 641 |
| 4420037.....460, 465, 467, 471 | 4460425 341, 346, 350, 354, 358, 362, 366, 485, 487, 489, 491, 595, 597 | 4460746..... 637 | 4461005 629 |
| 4420038.....65, 67, 69 | 4460426 80, 84, 88, 91, 96, 341, 346, 350, 354, 358, 362, 366 | 4460748..... 637 | 4461006 629 |
| 4420051 39, 41, 700, 704, 708, 712, 716, 720, 724, 728, 732 | 4460428143, 429 | 4460761.....429, 667 | 4461008 629, 634, 637 |
| 4420060..... 331 | 4460434667, 671 | 4460806.....581, 583, 585, 587, 667, 671 | 4461052 629 |
| 4420062.....479, 481, 483 | 4460457 629, 631, 641, 651, 659 | 4460807.....647, 649 | 4461053 629 |
| 4420066.....475, 477 | 4460458 629, 631, 633, 637, 641, 651, 653, 657, 659 | 4460808.....647, 649 | 4461054 629, 637, 643 |
| 4420068.....485, 487, 489, 491 | 4460460 629, 631, 641 | 4460865..... 613, 615 | 4461060 629 |
| 4420069..... 487 | 4460464 435, 503, 601, 613, 629, 631, 641, 643, 667, 669, 671, 689, 691, 695 | 4460866.....613, 667, 671 | 4461070601, 629 |
| 4460007..... 429 | 4460465 503, 601, 605, 607, 609, 611, 613, 615, 629, 631, 633, 634, 637, 638, 641, 647, 649, 653, 655, 657, 659, 661, 667, 669, 671, 691, 693, 695 | 4460868..... 667 | 4461071633, 637 |
| 4460016..... 671 | 4460466 445, 503, 601, 613, 615, 631, 633, 637, 638, 667, 669, 671, 685, 689, 691, 693 | 4460871.....629, 631, 641, 667, 671, 693, 695 | 4461073 629, 633, 637 |
| 4460019.....629, 631, 638 | 4460467 753 | 4460872..... 667 | 4461077685, 689 |
| 4460027.....321, 323, 327 | 4460470 79, 83, 87, 91, 95, 429 | 4460873.....667, 671 | 4461095 601, 629, 633 |
| 4460042.....633, 637 | 4460471 79, 83, 87, 91, 95, 429 | 4460874.....667, 671 | 4461157629, 641 |
| 4460043.....253, 629, 633, 638, 651, 653, 657 | 4460473613, 615 | 4460875.....667, 671 | 4461196673 |
| 4460049.....485, 489, 491 | 4460488 79, 83, 87, 91, 95, 109, 111 | 4460876..... 667 | 4461198575, 673 |
| 4460051.....563, 565 | | 4460877..... 667 | 4461199675 |
| 4460071.....342, 345, 358, 361, 365, 435 | | 4460878..... 667 | 4461201579, 675 |
| 4460125..... 565 | | 4460879..... 503, 671 | 4461205677, 679 |
| 4460134..... 663 | | 4460880..... 631, 641 | 4461244583, 677 |
| 4460142.....629, 667 | | 4460884.....503, 637, 667, 691 | 4461245587, 679 |
| 4460183..... 671 | | 4460887.....503, 629, 631, 641, 667, 671 | 4461246591, 681 |
| 4460190.....321, 323, 327 | | 4460888..... 671 | 4461249 681 |
| 4460205.....563, 663 | | 4460891.....601, 617, 634, 643, 693, 695 | 4462641 341 |
| 4460224.....337, 429 | | 4460892..... 669 | 4520253 29 |
| 4460225.....647, 649, 671 | | 4460894.....605, 607, 609, 611, 633, 637, 667, 669, 671 | 4520256 33 |
| 4460226.....429, 435, 437, 440, 617, 629, 631, 641, 671 | | 4460897.....629, 631, 634, 641, 643, 693 | 4530028 460, 465, 467, 469 |
| 4460227.....429, 667, 671 | | 4460899.....631, 669, 685, 689, 691 | 4567757558 |
| 4460233.....565, 665 | | 4460905.....667, 671 | 4568119 69 |
| | | | 464026139, 41 |
| | | | 4640509 511, 513, 515, 517, 519 |
| | | | 4640605 509, 511, 519 |
| | | | 4640751 198, 204, 210, 216, 222, 229, 234 |
| | | | 4640780558 |
| | | | 4640858507 |
| | | | 464086647 |
| | | | 4640932509 |
| | | | 4641022 69 |
| | | | 4641032527 |

SECTION 11 - SPECIAL OPTIONS

| | | | |
|---|--|---|--|
| 4641033525 | 4750400 198, 204, 210, 216, 223, 229, 235 | 4811900.....199, 205, 211, 217, 223, 229, 235, 256, 260, 268, 274, 279, 281, 383, 603 | 5250810 200, 206, 212, 218 |
| 464112229, 31, 33 | 475080035 | 4811902.....200, 206, 212, 218, 223, 229, 235, 268, 274, 281 | 5251008383 |
| 464130323 | 4751000 107, 109, 111, 114, 117, 118, 121, 122, 321, 327, 331, 342, 345, 350, 353, 358, 361, 365, 429, 457, 460, 465, 467, 471 | 4812000.....174, 178, 185, 199, 205, 211, 217, 223, 229, 235, 256, 260, 268, 274, 281, 319, 327, 383 | 5251010223 |
| 464131747 | 4751400 37, 39, 41, 79, 83, 87, 91, 95, 114, 117, 121, 126, 127, 130, 131, 134, 135, 137, 139, 157, 159, 189, 191, 193, 195, 198, 204, 210, 216, 223, 229, 235, 256, 260, 263, 265, 393, 427, 429, 453, 455, 460, 465, 467, 471, 485, 487, 489, 491, 603 | 4812002.....268, 274, 283 | 5251016383 |
| 4641435393 | 4751500 39, 41, 73, 75, 114, 117, 121, 126, 130, 134, 198, 204, 211, 217, 223, 229, 235, 321, 323, 331, 341, 345, 350, 357, 479, 481, 483, 485, 487, 489, 491 | 4812100.....173, 177, 181, 185, 199, 205, 211, 217, 223, 229, 235, 281, 383 | 5251210181 |
| 4711000247, 249, 251, 323, 350, 354, 358, 362, 366 | 4751600 35, 37, 65, 67, 69, 109, 111, 114, 117, 118, 121, 122, 126, 130, 134, 137, 139, 141, 147, 151, 153, 162, 166, 173, 177, 181, 185, 199, 205, 211, 217, 223, 229, 235, 256, 260, 309, 311, 321, 331, 460, 465, 467, 471 | 4812200.....162, 166, 199, 205, 211, 217, 223, 229, 235, 309, 311, 327 | 5260600279, 281 |
| 471140047, 79, 83, 87, 91, 95, 101, 103, 105, 143, 145, 151, 153, 162, 166, 173, 177, 181, 185, 198, 204, 210, 216, 223, 229, 234, 256, 260, 313, 315, 333, 337, 341, 345, 349, 353, 357, 361, 365, 389, 397, 401, 407, 409, 411, 413, 419, 421, 423, 447, 449, 451, 573, 575, 577, 579, 581, 583, 585, 587, 589, 591, 593, 599, 619, 621 | 4751800 63, 69, 143, 145, 151, 153, 189, 191, 193, 195, 263, 265, 415, 425, 485, 487, 489, 491 | 4843777.....43 | 5272010270, 274 |
| 4711500 23, 69, 127, 131, 135, 181, 198, 204, 210, 216, 223, 229, 235, 353, 361, 365, 389, 393 | 4752000 151, 153, 173, 177, 181, 185, 256, 260 | 4844817.....377, 379 | 7000017753 |
| 4711600 ..15, 17, 47, 114, 118, 122, 145, 162, 166, 173, 177, 181, 185, 247, 249, 251, 256, 260, 305, 307, 323, 333, 337, 342, 345, 350, 353, 358, 361, 373, 375, 385, 387, 393, 430, 493, 495, 497, 499, 501, 605, 607, 609, 611 | 4760600563, 565 | 4844958.....61 | 7000044169 |
| 4711700 198, 204, 210, 216, 223, 229, 235, 305, 323, 327 | 4761000 114, 118, 121 | 4845582.....479, 481, 483 | 70000123331 |
| 4711800224, 317, 319, 333, 341, 349, 357, 415, 425 | 4761400 79, 83, 87, 91, 95, 453 | 4845680.....387 | 70000342381 |
| 4712000475, 477, 493, 495, 497, 499, 501 | 4761600147, 427 | 4846627....460, 465, 467, 471 | 70000345 ... 170, 239, 245 |
| 4712200475, 477 | 476200043 | 4846673.....489, 491 | 70000619 .. 350, 353, 358, 361, 365 |
| 474003643 | 4770600317, 319 | 4860225.....29, 31 | 7000079727 |
| 474005753 | 4791400 162, 166, 333, 337, 341, 345, 349, 353, 358, 361 | 4871700.....366 | 70000800170 |
| 4740076113, 117, 121 | 4811400 503, 573, 575, 577, 579, 581, 583, 585, 587, 589, 591, 593 | 4891500.....79, 83, 87, 91, 95, 199, 211, 223, 229, 327 | 70000863 .. 349, 353, 357, 362, 366 |
| 4740119317 | 4811600331 | 4891600.....63, 127, 131, 135, 317, 383 | 70000912169 |
| 474015521 | 4811700 109, 111, 268, 274, 281, 327, 365, 401, 407, 409, 413, 419, 423, 457, 460 | 4891800.....23, 157, 159, 189, 191, 193, 195, 199, 205, 211, 217, 223, 229, 235, 263, 265, 317, 319, 323, 337, 345, 353, 361 | 70000913169 |
| 474025619, 21 | 4811702 199, 205, 211, 217, 223, 229, 235, 279 | 4892000.....23, 59 | 70000914169 |
| 4740274 162, 166, 309, 311 | | 4892200.....15, 17 | 70000915169 |
| 4740362427 | | 4892600001383 | 70000916169 |
| 474039779, 83, 87, 91, 95, 321, 331, 429 | | 4921829.....328, 663 | 70000917169 |
| 474044491 | | 4921955.....665 | 70000918169 |
| 474046319, 21 | | 4922218.....605, 607 | 70000919169 |
| 474047215, 17 | | 4922220.....605, 607 | 70001002169 |
| 474047319, 21 | | 4922576....605, 607, 609, 611, 615 | 70001100 .. 349, 353, 357, 362, 366 |
| 4740500114, 118, 122 | | 4922578....605, 607, 609, 611 | 70001181170 |
| 474051879, 83, 87, 91, 95 | | 4922641321, 324, 327, 331, 346, 350, 353, 359, 361, 367 | 7000124863 |
| | | 4922666.....429 | 70001384 .. 349, 353, 357, 362, 366 |
| | | 4922925....350, 353, 358, 361, 365, 649 | 70001385349, 357 |
| | | 4923379.....162, 166 | 70001424463 |
| | | 4923445.....328, 651 | 70001425463 |
| | | 4933218.....485, 489 | 70001427463 |
| | | 5240800.....200, 206, 212, 218, 223, 229 | 70001428463 |
| | | 5241000.....268, 274 | 70001429463 |
| | | 5241200.....268, 274, 365, 383 | 70001430463 |
| | | 5250605.....279, 281 | 70001431463 |
| | | | 70001432463 |
| | | | 70001435169 |
| | | | 70001663147 |
| | | | 70001696 ... 349, 357, 365 |
| | | | 70001697381 |
| | | | 7000180244 |
| | | | 70001835169 |
| | | | 70001836169 |
| | | | 70001837169 |
| | | | 70001841169 |
| | | | 70001844170 |
| | | | 70001850169 |
| | | | 70001866169 |
| | | | 70001868169 |
| | | | 70001870 ... 169, 239, 243 |
| | | | 70001871169 |
| | | | 70001872170 |
| | | | 70001953 ... 349, 357, 366 |
| | | | 70001954293 |
| | | | 70001955293 |
| | | | 70001956293 |
| | | | 70001957293 |
| | | | 70001966 .. 333, 337, 341, 345, 349, 354, 357, 362, 365, 366 |

SECTION 11 - SPECIAL OPTIONS

| | | | |
|---------------------------------------|---|------------------------------------|----------------------------|
| 70001973...349, 354, 357, 362, 366 | 70003631 ... 354, 362, 365 | 70004347 291 | 70004755 439 |
| 70001974...349, 354, 357, 362, 366 | 70003708 .. 333, 337, 341, 345, 349, 354, 357, 362, 366 | 70004348 291 | 70004756 439 |
| 70002013 385, 746 | 70003709 .. 333, 337, 341, 345, 349, 354, 357, 362, 366 | 70004349 291 | 70004757 439 |
| 70002014 385 | 70003784 429 | 70004350 291 | 70004758 439 |
| 70002064 391 | 70003935 23 | 70004351 291 | 70004759 439 |
| 70002066 56 | 70003936 23 | 70004352 291 | 70004760 439 |
| 70002085 56 | 70003989 77 | 70004381 523 | 70004761 439 |
| 70002088...349, 357, 366 | 70003992 77 | 70004382 523 | 70004762 439 |
| 70002112 71 | 70003993 77 | 70004457 49 | 70004763 439 |
| 7000213 56 | 70004020 ... 162, 166, 746 | 70004459 49 | 70004764 439 |
| 7000217 56 | 70004037 56 | 70004460 49, 746 | 70004765 439 |
| 70002200 169 | 70004040 56 | 70004461 49, 50 | 70004766 439 |
| 70002234 169 | 70004041 56 | 70004463 49, 746 | 70004767 439 |
| 7000224 25 | 70004042 56 | 70004501 244 | 70004768 439 |
| 7000228 56 | 70004043 56 | 70004504 240 | 70004769 439 |
| 7000229 56 | 70004044 56 | 70004505 239, 243 | 70004770 439 |
| 70002290 349, 357 | 70004045 56 | 70004506 239, 243 | 70004771 439 |
| 70002291 354, 362 | 70004047 56 | 70004507 239, 243 | 70004772 439 |
| 70002297...349, 353, 357, 362, 366 | 70004050 49 | 70004508 239, 243 | 70004773 439 |
| 7000230 56 | 70004051 49 | 70004509 239, 243 | 70004774 440 |
| 70002386 391, 746 | 70004052 49 | 70004510 239, 243 | 70004775 440 |
| 7000239 25 | 70004055 49 | 70004511 244 | 70004795 71 |
| 7000240 25 | 70004056 169 | 70004513 244 | 70005008 ... 270, 275, 747 |
| 70002410 509, 521 | 70004058 169 | 70004584 49 | 70005171 239 |
| 70002415 170 | 70004060 169 | 70004594 49 | 70005172 239, 243 |
| 70002416 170 | 70004092 .. 333, 337, 341, 345, 354, 362 | 70004595 49, 746 | 70005173 239, 243 |
| 70002417 170 | 70004094 354, 362 | 70004596 49 | 70005176 239 |
| 7000246 56 | 70004098 .. 341, 346, 354, 362 | 70004597 49 | 70005177 239, 244 |
| 70002460...349, 354, 357, 362, 365 | 70004099 .. 337, 345, 354, 362 | 70004598 49 | 70005181 244 |
| 7000247 56 | 70004125 77 | 70004653 49, 746 | 70005184 240, 244 |
| 7000248 56 | 70004148 65, 67 | 70004657 49 | 70005188 244 |
| 7000253 56 | 70004149 69 | 70004665 49 | 70005189 244 |
| 7000255 56 | 70004151 391 | 70004667 49 | 70005191 240, 245 |
| 7000257 56 | 70004169 ... 349, 357, 366 | 70004676 ... 333, 337, 341, 345 | 70005194 49 |
| 70002715 69 | 70004171 ... 333, 341, 366 | 70004677 333 | 70005195 49 |
| 70002716 69 | 70004183 289 | 70004678 ... 333, 337, 341, 345 | 70005196 49 |
| 70002718 170, 243 | 70004186 513, 515 | 70004679 ... 333, 337, 341, 345 | 70005197 49 |
| 70002744 523 | 70004199 71 | 70004680 ... 333, 337, 341, 345 | 70005198 49 |
| 70002745 523 | 70004237 509, 521 | 70004681 333, 337 | 70005199 50 |
| 70002748 523 | 70004272 169 | 70004682 ... 333, 337, 341, 346 | 70005200 50 |
| 70002749 523 | 70004276 240, 245 | 70004683 333, 337 | 70005201 50 |
| 70002751 523 | 70004277 240, 245 | 70004684 341 | 70005202 50 |
| 70002814 71, 746 | 70004279 239 | 70004685 341, 346 | 70005203 56 |
| 7000283 25 | 70004280 170, 243 | 70004686 337 | 70005203 56 |
| 70002838 71 | 70004282 245 | 70004687 345 | 70005458 291 |
| 70002839 71 | 70004287 169 | 70004688 337, 337 | 70005459 291 |
| 7000284 25 | 70004289 170 | 70004689 341 | 70005460 291 |
| 70002842 507 | 70004329 291 | 70004685 341, 346 | 70005461 291 |
| 7000289 25 | 70004331 291 | 70004686 337 | 70005462 291 |
| 70002902 435 | 70004332 291 | 70004687 345 | 70005463 291 |
| 70002903 435 | 70004333 291 | 70004688 337 | 70005464 291 |
| 70002904 435 | 70004336 291 | 70004689 345 | 70005465 291 |
| 70002905 435 | 70004337 291 | 70004738 437 | 70005466 291 |
| 70002948 143, 145 | 70004338 291 | 70004739 437 | 70005465 291 |
| 70003019 49 | 70004340 291 | 70004740 437 | 70005527 240, 245 |
| 70003136 169 | 70004342 291 | 70004741 437 | 70005528 240, 245 |
| 70003454 63 | 70004343 291 | 70004742 437 | 70005529 240, 245 |
| 70003464 169 | 70004344 291 | 70004743 437 | 70005563 753 |
| 70003465 169 | 70004345 291 | 70004744 437 | 70005708 71 |
| 70003466 169 | 70004346 291 | 70004745 437 | 70005916 170 |
| 70003472 169 | | 70004746 437 | 70005917 170 |
| 70003475 169 | | 70004747 437 | 70005920 239, 243 |
| 70003478 169 | | 70004748 437 | 70005922 243 |
| | | 70004749 437 | 70005923 244 |
| | | 70004750 437 | 70005924 244 |
| | | 70004751 437 | 70005926 244 |
| | | 70004752 439 | 70005928 244 |
| | | 70004753 439 | 70005929 240, 244 |
| | | 70004754 439 | 70005931 240, 244 |

SECTION 11 - SPECIAL OPTIONS

| | | | | | | | |
|----------|---------------|----------|--------------------|----------|------------------------------|----------|---------------|
| 70005932 | 245 | 70006206 | 286 | 70006927 | 527 | 70024507 | 240, 245 |
| 70005933 | 245 | 70006207 | 286 | 70006928 | 527 | 70024509 | 240, 245 |
| 70005934 | 245 | 70006208 | 286 | 70006941 | 243 | 70024513 | 239, 243 |
| 70005938 | 243 | 70006213 | 286, 747 | 7000695 | 170 | 70024517 | 239, 243 |
| 70005941 | 239 | 70006215 | 286 | 70006955 | 49 | 70024904 | 239, 243 |
| 70005942 | 239, 243 | 70006217 | 286 | 70006956 | 49, 746 | 70024905 | 239, 243 |
| 70006093 | 353, 362 | 70006219 | 286 | 70006957 | 49 | 70024906 | 239, 243 |
| 70006094 | 354, 362 | 70006221 | 286 | 70006961 | 49 | 70024912 | 240 |
| 70006095 | 354, 357, 362 | 70006225 | 286 | 70007108 | 286 | 70024915 | 240, 245 |
| 70006096 | 354, 362 | 70006232 | 286 | 70007157 | 509, 521 | 70024917 | 240, 245 |
| 70006097 | 354, 362 | 70006233 | 285 | 70007159 | 509, 521 | 70024918 | 245 |
| 70006134 | 279 | 70006235 | 286 | 70007161 | 509, 521 | 70024920 | 240, 244, 245 |
| 70006135 | 279 | 70006236 | 286 | 70007246 | 511, 517 | 70024922 | 240, 245 |
| 70006136 | 279 | 70006264 | 243 | 70007277 | 519 | 70024924 | 239, 243 |
| 70006144 | 239, 243 | 70006265 | 243 | 70007278 | 511, 517, 519 | 70024925 | 239, 243 |
| 70006145 | 285 | 70006266 | 243 | 70007279 | 519 | 70024961 | 239, 243 |
| 70006147 | 285 | 70006294 | 240 | 70007280 | 519 | 70025077 | 245 |
| 70006150 | 285 | 70006304 | 56 | 70007282 | 511, 517, 519 | 70025082 | 169, 170, 243 |
| 70006151 | 285 | 70006344 | 527 | 70007283 | 519 | 70025084 | 244 |
| 70006152 | 285 | 70006403 | 307 | 70007325 | 240 | 70025101 | 244 |
| 70006153 | 285 | 70006404 | 307 | 70007326 | 239 | 70025107 | 244 |
| 70006154 | 285 | 70006405 | 307, 747 | 70007331 | 240 | 70025109 | 244 |
| 70006155 | 285, 747 | 70006406 | 307 | 70007354 | 239 | 70025111 | 239, 243 |
| 70006157 | 285 | 70006407 | 307 | 70007355 | 240 | 70025112 | 244 |
| 70006158 | 285 | 70006408 | 307 | 70007419 | 519 | 70025115 | 244 |
| 70006159 | 285 | 70006409 | 307 | 70007420 | 519 | 70025120 | 240, 245 |
| 70006160 | 285 | 70006410 | 307 | 70007421 | 517 | 70025124 | 244 |
| 70006161 | 285 | 70006460 | 270, 275, 747 | 70007422 | 511, 517 | 70025130 | 245 |
| 70006162 | 285 | 70006461 | 270, 275 | 70007423 | 511, 517 | 70025132 | 245 |
| 70006163 | 285 | 70006479 | 527 | 70007424 | 517 | 70025133 | 244 |
| 70006164 | 285 | 70006480 | 527 | 70007425 | 517 | 70025135 | 239, 243 |
| 70006165 | 285 | 70006552 | 333, 337, 341, 346 | 70007426 | 517 | 70025139 | 243 |
| 70006166 | 285 | | | 70007427 | 511 | 70025140 | 239, 243 |
| 70006167 | 285 | 70006553 | 333, 337, 341, 346 | 70007428 | 511 | 70025142 | 240, 244 |
| 70006168 | 285 | | | 70007429 | 511 | 70025144 | 239, 243 |
| 70006169 | 285 | 70006649 | 513 | 70007430 | 511 | 70025145 | 239, 243 |
| 70006170 | 285 | 70006650 | 513 | 70007446 | 391 | 70025146 | 239, 243 |
| 70006171 | 285, 747 | 70006652 | 240, 245 | 70007489 | 240 | 70025148 | 244 |
| 70006172 | 285, 747 | 70006653 | 240, 245 | 70007514 | 525 | 70025151 | 240, 244 |
| 70006173 | 285 | 70006673 | 25 | 70007515 | 525 | 70025152 | 239, 243 |
| 70006174 | 285 | 70006674 | 25 | 70007516 | 525 | 70025153 | 239 |
| 70006175 | 285, 747 | 70006675 | 25 | 70007517 | 525 | 70025154 | 239, 243 |
| 70006176 | 285, 747 | 70006676 | 25 | 70007518 | 525 | 70025155 | 244 |
| 70006177 | 285 | 70006677 | 25 | 70007519 | 525 | 70025158 | 244 |
| 70006178 | 285 | 70006678 | 25 | 70007520 | 525 | 70025161 | 240 |
| 70006179 | 285 | 70006680 | 25 | 70007521 | 525 | 70025164 | 239, 245 |
| 70006180 | 285 | 70006684 | 25 | 70007522 | 525 | 70025175 | 244 |
| 70006181 | 285 | 70006685 | 25 | 70007523 | 509 | 70025179 | 239, 244, 245 |
| 70006182 | 285 | 70006690 | 25 | 70007524 | 509, 521 | 70025180 | 244 |
| 70006183 | 285 | 70006691 | 25 | 70007525 | 521 | 70025181 | 239, 243 |
| 70006184 | 285 | 70006692 | 25 | 70009020 | 257, 261 | 70025182 | 240, 244 |
| 70006185 | 285 | 70006728 | 527 | 7001928 | 25 | 70025183 | 240, 244 |
| 70006186 | 285 | 70006731 | 527 | 70022564 | 509, 511, 517, 519, 521 | 70025184 | 240, 244 |
| 70006187 | 285 | 70006733 | 527 | | | 70025185 | 244 |
| 70006188 | 285 | 70006734 | 513 | 70023369 | 509, 521 | 70025192 | 245 |
| 70006189 | 285 | 70006735 | 513 | 70023380 | 511, 517 | 70025200 | 240, 244 |
| 70006191 | 285 | 70006736 | 513 | 70023592 | 199, 205, 211, 217, 223, 746 | 70025203 | 244 |
| 70006194 | 285 | 70006799 | 525 | | | 70025205 | 239 |
| 70006195 | 285 | 70006802 | 525 | 70023593 | 199, 205, 211, 217, 223, 746 | 70025210 | 240, 244, 747 |
| 70006196 | 286 | 70006832 | 25 | | | 70025212 | 240, 245 |
| 70006197 | 286 | 70006833 | 25 | 70023859 | 49 | 70025231 | 239, 245 |
| 70006198 | 286 | 70006921 | 527 | 70023860 | 49 | 70025233 | 245 |
| 70006199 | 286 | 70006922 | 527 | 70023862 | 49 | 70025235 | 240, 244 |
| 70006200 | 286 | 70006923 | 527 | 70024484 | 245 | 70025239 | 239, 244 |
| 70006202 | 286 | 70006924 | 527 | 70024488 | 243 | 70025240 | 244 |
| 70006203 | 286 | 70006925 | 527 | 70024494 | 239, 243 | 70025242 | 240 |
| 70006205 | 286 | 70006926 | 527 | 70024502 | 244 | 70025477 | 245 |

SECTION 11 - SPECIAL OPTIONS

| | | | | | | | |
|---------------|-------------------------|--------------|-------------------------|--------------|-------------------------|--------------|------------------------------|
| 70025660..... | 243 | 7016652..... | 753 | 7022318..... | 293 | 7024579..... | 170, 239, 243 |
| 70025733..... | 245 | 7016654..... | 753 | 7022326..... | 27 | 7024598..... | 317, 319 |
| 70025752..... | 170 | 7016655..... | 753 | 7022328..... | 27 | 7024704..... | 56 |
| 70025753..... | 170 | 7017023..... | 56 | 7022368..... | 27 | 7024762..... | 56 |
| 70025788..... | 240 | 7017028..... | 25, 56 | 7022371..... | 27 | 7024763..... | 56 |
| 70026210..... | 240, 245 | 7017047..... | 25 | 7022372..... | 27 | 7024782..... | 25 |
| 70026287..... | 511, 517, 519 | 7017070..... | 56 | 7022397..... | 23 | 7024784..... | 56 |
| 70026995..... | 245 | 7017072..... | 56 | 7022399..... | 23 | 7024854..... | 27 |
| 70027259..... | 525 | 7017080..... | 56 | 7023907..... | 27 | 7024864..... | 294 |
| 70027750..... | 519 | 7017082..... | 25 | 7023908..... | 27 | 7024866..... | 294 |
| 70028185..... | 243 | 7017085..... | 56 | 7023910..... | 27 | 7024867..... | 293 |
| 7002821..... | 753 | 7017142..... | 381 | 7023911..... | 391 | 7024868..... | 27, 293 |
| 7002822..... | 753 | 7017159..... | 381 | 7023917..... | 23 | 7024881..... | 23 |
| 7002823..... | 753 | 7017162..... | 381 | 7023933..... | 23 | 7026188..... | 349, 357, 365 |
| 7002826..... | 753 | 7017163..... | 381 | 7023947..... | 293 | 7026197..... | 63 |
| 7002840..... | 752 | 7017164..... | 381 | 7023948..... | 293 | 7026199..... | 321, 323, 327 |
| 70028538..... | 240, 244, 245 | 7017172..... | 381 | 7023949..... | 293 | 7026503..... | 63 |
| 70028540..... | 240 | 7017192..... | 381 | 7023950..... | 293 | 7026504..... | 63 |
| 70028802..... | 244 | 7017195..... | 381 | 7023951..... | 293 | 7026505..... | 63 |
| 70029433..... | 240 | 7017402..... | 391 | 7023952..... | 293 | 7026506..... | 63 |
| 70029451..... | 240 | 7017452..... | 391 | 7023956..... | 293 | 7026507..... | 63 |
| 70029468..... | 519 | 7017466..... | 47 | 7023957..... | 293 | 7026509..... | 63 |
| 70029517..... | 240 | 7018942..... | 50 | 7023958..... | 293 | 7026597..... | 349, 354, 357, 362, 365 |
| 70029520..... | 240 | 7018951..... | 50 | 7023960..... | 293 | 7026626..... | 349, 354, 357, 362, 366 |
| 70029557..... | 239 | 7018991..... | 49, 746 | 7023961..... | 293 | 7026632..... | 147 |
| 70029797..... | 240 | 7018992..... | 49 | 7023962..... | 293 | 7026633..... | 147 |
| 7004275..... | 753 | 7019680..... | 321, 323, 327 | 7023964..... | 293, 294 | 7026634..... | 147 |
| 7004276..... | 753 | 7020064..... | 387 | 7023965..... | 293 | 7026635..... | 147 |
| 7004906..... | 291 | 7020065..... | 387 | 7023966..... | 294 | 7026636..... | 147 |
| 7004907..... | 291 | 7020066..... | 387, 746 | 7023967..... | 294 | 7026637..... | 147 |
| 7004908..... | 291 | 7020067..... | 387 | 7024021..... | 49 | 7026638..... | 147 |
| 7007415..... | 293, 294 | 7020108..... | 321, 323, 327, 331 | 7024100..... | 56 | 7026639..... | 147 |
| 7007437..... | 27 | 7020109..... | 321, 323, 327, 331 | 7024149..... | 25 | 7026640..... | 147 |
| 7007438..... | 27 | 7020110..... | 321, 323, 327, 331 | 7024151..... | 25 | 7026641..... | 148 |
| 7007439..... | 27 | 7020111..... | 321, 323, 327, 331 | 7024154..... | 25 | 7026642..... | 148 |
| 7007446..... | 27 | 7020175..... | 79, 83, 87, 91, 95, 429 | 7024190..... | 25 | 7026643..... | 148 |
| 7007633..... | 56 | 7020176..... | 79, 83, 87, 91, 95, 429 | 7024191..... | 25 | 7026644..... | 148 |
| 7010492..... | 56 | 7020190..... | 321, 323, 327, 331 | 7024397..... | 527 | 7026645..... | 148 |
| 7010543..... | 47 | 7020403..... | 169 | 7024404..... | 63 | 7026646..... | 148 |
| 7011112..... | 509 | 7020408..... | 169 | 7024441..... | 71 | 7026647..... | 148 |
| 7011333..... | 393 | 7020465..... | 169, 239, 243 | 7024462..... | 469 | 7026648..... | 148 |
| 7011342..... | 393 | 7020468..... | 169 | 7024463..... | 469 | 7026649..... | 148 |
| 70124410..... | 170 | 7020471..... | 170 | 7024467..... | 469 | 7026650..... | 148 |
| 70124440..... | 170 | 7020479..... | 169 | 7024469..... | 469 | 7026651..... | 147 |
| 7012513..... | 321, 323, 327, 331 | 7020492..... | 244 | 7024470..... | 469 | 7026652..... | 147 |
| 7012514..... | 321, 323, 327, 331 | 7021249..... | 27 | 7024471..... | 463, 469 | 7026653..... | 147 |
| 7012558..... | 321, 323, 327 | 7021275..... | 27, 294 | 7024472..... | 469 | 7026654..... | 147 |
| 7012773..... | 49 | 7021276..... | 27 | 7024473..... | 469 | 7026655..... | 147 |
| 7012914..... | 391 | 7021277..... | 27 | 7024474..... | 469 | 7026656..... | 147 |
| 7012918..... | 391 | 7021375..... | 49, 50 | 7024475..... | 469 | 7026657..... | 148 |
| 7012941..... | 47 | 7021625..... | 23 | 7024478..... | 469 | 7026658..... | 148 |
| 7012944..... | 47, 746 | 7021639..... | 23 | 7024484..... | 349, 357 | 7026659..... | 147 |
| 7012953..... | 389, 391 | 7021653..... | 391 | 7024485..... | 349, 357, 365 | 7026660..... | 147 |
| 7012959..... | 47 | 7022162..... | 285 | 7024488..... | 350, 353, 358, 361, 365 | 7026661..... | 147 |
| 7012965..... | 391 | 7022302..... | 27 | 7024489..... | 350, 353, 358, 361, 365 | 7027053..... | 151, 153 |
| 7012967..... | 391 | 7022305..... | 27 | 7024508..... | 525 | 7027084..... | 173, 177, 181, 186, 256, 261 |
| 7012970..... | 389 | 7022310..... | 27 | 7024530..... | 463 | 7027085..... | 173, 178, 181, 186, 256, 261 |
| 7012989..... | 391 | 7022311..... | 27, 294 | 7024531..... | 463 | 7027086..... | 173, 178, 181, 186, 256, 261 |
| 7012998..... | 391 | 7022312..... | 27 | 7024532..... | 463 | 7027087..... | 173, 178, 181, 186 |
| 7016314..... | 65, 67 | 7022314..... | 27, 294 | 7024533..... | 463 | 7027088..... | 173, 178, 181, 186, 256, 261 |
| 7016319..... | 107 | | | 7024534..... | 463 | 7027092..... | 151, 153 |
| 7016328..... | 169, 746 | | | 7024535..... | 463 | | |
| 7016331..... | 169, 239, 243, 746, 747 | | | 7024536..... | 463 | | |
| 7016372..... | 107 | | | 7024537..... | 463 | | |
| | | | | 7024561..... | 349, 357 | | |

SECTION 11 - SPECIAL OPTIONS

| | | | | | | | |
|---------------|----------------------------|----------------|--|---------------|--|----------------|---|
| 7027093 | 151, 153 | 7027887 | 321, 323, 327, 331 | 8405007 | 199, 205, 211, 217, 223, 229, 235 | 8410011 | 199, 205, 211, 217, 223, 229, 235, 269, 275 |
| 7027094 | 151, 153 | 77143013 .. | 79, 83, 87, 91, 95 | 8405009 | 199, 205, 211, 217, 223, 229, 235, 268, 275 | 8410013 | 173, 177, 181, 185, 199, 205, 211, 217, 223, 229, 235 |
| 7027095 | 151, 153 | 77363233 | 647, 649 | 8405102 | 268, 275 | 8580420 | 37 |
| 7027236 | 169 | 80344004 | 25 | 8405104 | 199, 205, 211, 217, 223, 229, 235, 268, 275 | 85941018 | 256, 260 |
| 7027276 | 169 | 80484084 | 633, 637 | 8405203 | 268, 275 | 8770050 | 535, 541, 547, 553 |
| 7027404 | 286 | 80934561 | 63 | 8405204 | 199, 211, 223, 229 | 88261024 | 389 |
| 7027773 | 469 | 80983191 | 633, 747 | 8406102 | 174, 178, 181, 185, 199, 205, 211, 217, 229, 235 | 88411013 | 603 |
| 7027774 | 469 | 8220051 | 643 | 8406109 | 199, 205, 211, 217, 223, 229, 235, 269, 275 | 88521008 | 393 |
| 7027775 | 469 | 8220115 | 633 | 8406110 | 199, 205, 211, 217, 223, 229, 235 | 88521205 | 73, 75, 181 |
| 7027776 | 469 | 8220164 | 638 | 8406201 | 145, 257, 261, 270, 276 | 88521214 .. | 493, 495, 497, 499, 501 |
| 7027777 | 469 | 8229242 | 633, 667, 746 | 8410001 | 269, 275 | 88662523 ... | 126, 130, 134 |
| 7027778 | 469 | 8229249 | 503, 671, 746 | 8410009 | 270, 276 | 8896941 | 753 |
| 7027779 | 469 | 8270147 | 151, 153, 173, 177, 181, 186, 256, 261 | | | 91143177 | 559 |
| 7027780 | 469 | 8273291 | 270, 275 | | | 91164079 | 391 |
| 7027781 | 143, 145 | 8305401 | 268, 274 | | | 91203039 | 383, 393 |
| 7027782 | 143, 145 | 8307109 | 268, 274 | | | 91401281 | 73, 181 |
| 7027783 | 143, 145 | 8310070 | 126, 130, 134 | | | 91403102 .. | 199, 205, 212, 218, 223, 230, 236, 746 |
| 7027784 | 143, 145 | 8310129 | 475, 477 | | | | |
| 7027790 | 169 | 8310548 | 268, 274 | | | | |
| 7027791 | 169 | 83304173 | 71 | | | | |
| 7027792 | 169 | 8405006 | 173, 177, 181, 185, 247, 249, 251, 268, 274, 307 | | | | |
| 7027795 | 170, 746 | | | | | | |
| 7027796 | 170 | | | | | | |
| 7027799 | 349, 354, 357, 362, 365 | | | | | | |



An Oshkosh Corporation Company

Corporate Office
JLG Industries, Inc.
1 JLG Drive
McConnellsburg, PA 17233-9533 USA
☎ (717) 485-5161 (Corporate)
☎ (877) 554-5438 (Customer Support)
📠 (717) 485-6417

Visit our website for JLG Worldwide Locations.
www.jlg.com